

SX1

Level 2.5e

Repair Documentation



V 1.1

Version	Date	Department	Notes to change
V 1.0	Nov 2003	ICM MP CCQ GRM T	New document
V1.1	Dec 2004	ICM MP CCQ GRM T	New MMI Component

V 1.1	Page 1 of 63	ICM MP CCQ GRM T
SX1	Copyright 2003© Siemens AG	11/03

Table of Contents:

1	LIST OF AVAILABLE LEVEL 2,5E PARTS SX1	5
2	REQUIRED EQUIPMENT FOR LEVEL 2,5E	10
3	REQUIRED SOFTWARE FOR LEVEL 2,5E SX1	10
4	RADIO PART	11
4.1	Power Supply RF-Part	12
4.2	Frequency generation	12
4.2.1	Synthesizer: The discrete VCXO (26MHz).....	12
4.2.2	Synthesizer: LO1	13
4.2.3	Synthesizer: LO2	16
4.2.4	Synthesizer: PLL	17
4.3	Antenna switch (electrical/mechanical).....	18
4.4	Receiver.....	19
4.4.1	Receiver: EGSM900/GSM1800/GSM1900 –Filter to Demodulator	19
4.4.2	IC Overview	21
4.5	Transmitter.....	22
4.5.1	Transmitter: Modulator and Up-conversion Loop.....	22
4.5.2	Transmitter: Power Amplifier	22
5	LOGIC	23
5.1	Modem System	24
5.1.1	EGOLD+	24
5.1.2	SRAM	28
5.1.3	FLASH	28
5.1.4	SIM	28
5.1.5	Vibration Motor	29
5.2	Power Supply ASIC Salzburg	29
5.2.1	Pinout diagram	30
5.2.2	Power Supply Operating mode:	31
5.2.3	Power Supply Functions:.....	31
5.3	Battery	33
5.4	Charging Concept.....	34
5.5	Application system.....	37
5.5.1	Application processor	37
5.5.2	SDRAM.....	37
5.5.3	Flash.....	38

5.6	Power Supply ASIC Sofia	42
5.6.1	Pinout diagram	43
5.6.2	Power Supply Operating mode:	44
5.6.3	Regulator	44
6	FM RADIO	46
7	BLUETOOTH	FEHLER! TEXTMARKE NICHT DEFINIERT.
8	INTERFACES	48
8.1	Board to Board connector	48
8.2	Vibra	50
8.3	Earpiece	51
8.4	Microphone	52
8.5	Battery	52
8.6	IO Connector with ESD protection	53
8.6.1	IO Connector – New Slim Lumberg	53
8.6.2	ESD Protection with EMI filter	54
8.7	SIM	55
8.8	Display	55
9	ACOUSTIC	57
9.1	Microphone	57
9.1.1	Mechanical	57
9.1.2	Electrical	57
9.2	Soundchip	58
9.3	Earpiece/Loudspeaker	59
9.3.1	Mechanical	59
9.3.2	Electrical	59
10	DISPLAY AND ILLUMINATION	60
10.1	Display	60
10.2	Illumination	60
11	KEYBOARD	61
12	BLUETOOTH (ONLY S55)	61

V 1.1	Page 3 of 63	ICM MP CCQ GRM T
SX1	Copyright 2003© Siemens AG	11/03

12.1 Bluetooth Voltage Regulator 62

13 IRDA..... 63

V 1.1	Page 4 of 63	ICM MP CCQ GRM T
SX1	Copyright 2003© Siemens AG	11/03

1 List of available level 2,5e parts SX1

Main Board

ID-No	Type	Name, Location	Part-No.
D800	IC	Transceiver IC	V20820-L6105-D670
D890	VCO	Transmitter_VCO	V20820-L6132-D670
D0950	IC	Power Supply ASIC	V30145-J4682-Y48
D1100	IC	FEM Radio	V20810-U6085-D670
D2300	IC	Egold+	V39197-F5019-F415
D2700	IC	Bluetooth_IC	V39197-F5021-F381
C2803	Capacitor	Cap. VDD_SIM	V39377-F6105-K
C2811	Capacitor	Cap. VCC2 8-VCCSYN	V39344-F1225-K12
C2814	Capacitor	Cap. VDD_CORE	V39344-F1225-K12
C2815	Capacitor	Cap. VDD_ANALOG-VDD_IO	V39344-F1225-K12
C2816	Capacitor	Cap. VDD_RTC	V39392-F1107-M
N3225	IC	Volt.Regulator_Camera	V20810-C6065-D670
R959	Resistor	Temp_Resistor	V24852-C273-J2
V850	Transistor	Tran._VCO_Switch	V20820-C6047-D670
V1100	Diode	Capa_Diode FEM	V20840-D61-D670
V1101	Diode	Capa_Diode FEM 1	V20840-D61-D670
V2182	Transistor	Tran._Akku	V20840-C4014-D670
V2501	Diode	Diode_IO Connector	V20840-D3084-D670
V2600	Transistor	Tran._Vibra	V20840-C4014-D670
V2601	Transistor	Tran._Vibra 1	V24851-Z9112-Z998
V2700	Diode	Diode_Bluetooth	V20840-D73-D670
V2800	Transistor	Tran._Charge	V20830-C1107-D670
V2801	Transistor	Tran._Power	V20830-C1107-D670
V2802	Diode	Diode_Power	V20840-D3091-D670
Z850	VCO	1LO_VCO	V30145-G100-Y105
Z851	Filter	Filter_BALUN	V30145-K260-Y41
Z880	IC	Ant_Switch_Diplexer	V30145-K280-Y244
Z900	IC	Power_Amplifier	V39197-F5005-F487
Z950	Quartz	Oszillator_26MHz	V39197-F5005-F33
Z2300	Quartz	Quarz/Egold	V30145-F102-Y10
Z2500	Filter	Logic/IO_Interface	V39197-F5000-F116
Z2700	Filter	Filter_Bluetooth	V30145-K280-Y256

MMI Board

ID-No	Component ID	Part-No.
R2002	R2002/R2003	V24852-C -X
R2003	R2002/R2003	V24852-C -X
R2001	R2001	V39246-F4000-G
R1100	Res_Type1	V24842-C -X
R3004	Res_Type1	V24842-C -X
R3011	Res_Type1	V24842-C -X
R3019	Res_Type1	V24842-C -X
R3020	Res_Type1	V24842-C -X
R4004	Res_Type1	V24842-C -X
R4009	Res_Type1	V24842-C -X
R4011	Res_Type1	V24842-C -X
R2011	R2011	V24852-C10-J2
R3000	R3000/R3009/R3012	V24842-C100-J
R3009	R3000/R3009/R3012	V24842-C100-J
R3012	R3000/R3009/R3012	V24842-C100-J
R4000	R4000	V24842-C330-J
R3015	Res_Type2	V24852-C560-J2
R3016	Res_Type2	V24852-C560-J2
R3017	Res_Type2	V24852-C560-J2
R3018	Res_Type2	V24852-C560-J2
R2010	R2010	V24852-C680-J2
R1005	Res_Type3	V24842-C101-J
R1006	Res_Type3	V24842-C101-J
R1007	Res_Type3	V24842-C101-J
R1008	Res_Type3	V24842-C101-J
R1009	Res_Type3	V24842-C101-J
R1010	Res_Type3	V24842-C101-J
R1011	Res_Type3	V24842-C101-J
R1012	Res_Type3	V24842-C101-J
R1013	Res_Type3	V24842-C101-J
R1014	Res_Type3	V24842-C101-J
R1015	Res_Type3	V24842-C101-J
R1016	Res_Type3	V24842-C101-J
R1017	Res_Type3	V24842-C101-J
R1018	Res_Type3	V24842-C101-J
R1019	Res_Type3	V24842-C101-J
R1020	Res_Type3	V24842-C101-J
R1021	Res_Type3	V24842-C101-J
R1022	Res_Type3	V24842-C101-J
R1023	Res_Type3	V24842-C101-J
R3002	Res_Type3	V24842-C101-J
R3014	Res_Type3	V24842-C101-J
R4002	Res_Type3	V24842-C101-J
R3003	Res_Type3	V24842-C101-J

R1002	R1002/R1003	V39246-F4121-G
R1003	R1002/R1003	V39246-F4121-G
R1024	R1024	V24842-C121-J
R2013	R2013	V24852-C331-J2
R1201	Res_Type4	V24852-C681-J2
R1202	Res_Type4	V24852-C681-J2
R1203	Res_Type4	V24852-C681-J2
R1204	Res_Type4	V24852-C681-J2
R1205	Res_Type4	V24852-C681-J2
R1206	Res_Type4	V24852-C681-J2
R1207	Res_Type4	V24852-C681-J2
R2009	R2003	V24842-C102-J
R3010	R3010	V24842-C152-J
R3005	R3005	V24842-C472-J
R2006	R2006/R2007	V24842-C682-J
R2007	R2006/R2007	V24842-C682-J
R1000	Res_Type5	V24842-C103-J
R1004	Res_Type5	V24842-C103-J
R2005	Res_Type5	V24842-C103-J
R3013	Res_Type5	V24842-C103-J
R1200	R1200/R1212	V24852-C393-J2
R1212	R1200/R1212	V24852-C393-J2
R1001	R1001/R3001/R3008	V24842-C473-J
R3001	R1001/R3001/R3008	V24842-C473-J
R3008	R1001/R3001/R3008	V24842-C473-J
R2000	R2000	V24852-C104-F2
R1208	Res_Type6	V24842-C224-J
R1209	Res_Type6	V24842-C224-J
R1210	Res_Type6	V24842-C224-J
R1211	Res_Type6	V24842-C224-J
R1222	Res_Type6	V24842-C224-J
R2008	R2008	V24842-C334-J
R3007	R3007	V39197-F5005-F975
C2014	C2014	V24843-C9060-D805
C3000	C3000	V24843-C9030-C305
C1200	Cap_Type1	V24843-C9180-J5
C1201	Cap_Type1	V24843-C9180-J5
C1202	Cap_Type1	V24843-C9180-J5
C1203	Cap_Type1	V24843-C9180-J5
C1204	Cap_Type1	V24843-C9180-J5
C1205	Cap_Type1	V24843-C9180-J5
C1206	Cap_Type1	V24843-C9180-J5
C1207	Cap_Type1	V24843-C9180-J5
C1208	Cap_Type1	V24843-C9180-J5
C1209	Cap_Type1	V24843-C9180-J5
C1210	Cap_Type1	V24843-C9180-J5
C2017	Cap_Type1	V24843-C9180-J5
C2006	C2006	V24843-C101-J5

C2024	C2024/C2025	V24853-C8121-G5
C2025	C2024/C2025	V24853-C8121-G5
C2016	C2016	V24853-C9102-K6
C3018	C3018/C4004	V24843-C102-K6
C4004	C3018/C4004	V24843-C102-K6
C2001	C2001	V24853-C9473-M4
C1000	Cap_Type2	V24853-C9104-M4
C1001	Cap_Type2	V24853-C9104-M4
C1002	Cap_Type2	V24853-C9104-M4
C1003	Cap_Type2	V24853-C9104-M4
C2000	Cap_Type2	V24853-C9104-M4
C2002	Cap_Type2	V24853-C9104-M4
C2005	Cap_Type2	V24853-C9104-M4
C2007	Cap_Type2	V24853-C9104-M4
C3001	Cap_Type2	V24853-C9104-M4
C3002	Cap_Type2	V24853-C9104-M4
C3006	Cap_Type2	V24853-C9104-M4
C3007	Cap_Type2	V24853-C9104-M4
C3008	Cap_Type2	V24853-C9104-M4
C3009	Cap_Type2	V24853-C9104-M4
C3010	Cap_Type2	V24853-C9104-M4
C3011	Cap_Type2	V24853-C9104-M4
C3012	Cap_Type2	V24853-C9104-M4
C3013	Cap_Type2	V24853-C9104-M4
C3014	Cap_Type2	V24853-C9104-M4
C3015	Cap_Type2	V24853-C9104-M4
C3016	Cap_Type2	V24853-C9104-M4
C3017	Cap_Type2	V24853-C9104-M4
C3021	Cap_Type2	V24853-C9104-M4
C3022	Cap_Type2	V24853-C9104-M4
C4000	Cap_Type2	V24853-C9104-M4
C4001	Cap_Type2	V24853-C9104-M4
C4002	Cap_Type2	V24853-C9104-M4
C4003	Cap_Type2	V24853-C9104-M4
C4005	Cap_Type2	V24853-C9104-M4
C2003	Cap_Type3	V24853-C6224-M6
C2004	Cap_Type3	V24853-C6224-M6
C2008	Cap_Type3	V24853-C6224-M6
C2019	Cap_Type3	V24853-C6224-M6
C2018	C2018	V39377-F4474-M
C2012	C2012	V39377-F6105-K
C3024	C3024	V24853-C6105-K6
C2009	Cap_Type4	V39377-F6225-M
C2010	Cap_Type4	V39377-F6225-M
C2011	Cap_Type4	V39377-F6225-M
C2015	Cap_Type4	V39377-F6225-M
C2020	Cap_Type5	V39375-F6106-M
C2021	Cap_Type5	V39375-F6106-M

C2023	Cap_Type5	V39375-F6106-M
C3005	Cap_Type5	V39375-F6106-M
C2022	C2022	V39391-F1336-M
C2013	C2013	V39344-F1225-K12
L2001	L2001/L2002	V39151-F5103-M8
L2002	L2001/L2002	V39151-F5103-M8
V2000	V2000/V2003	V20840-D5078-D670
V2003	V2000/V2003	V20840-D5078-D670
V2001	V2001	V20840-D5035-D670
V1204	V1204	V20840-C4057-D670
V2002	V2002	V20830-C1121-D670
D4001	D4001	V30113-D1500-A2
D2002	D2002	V30145-J4682-Y44
D4000	D4000	V20810-F6232-D670
D3003	D3003/D3004	V20810-B6129-D670
D3004	D3003/D3004	V20810-B6129-D670
D3000	D3000	V39197-F5003-F786
D1000	D1000/D3001	V20810-B6079-D670
D3001	D1000/D3001	V20810-B6079-D670
Z3001	Z3001	V39197-F5021-F966
Z3000	Z3000	V30145-G100-Y103
C3003	C3003/C3004	V24843-C9150-J5
C3004	C3003/C3004	V24843-C9150-J5

2 Required Equipment for Level 2,5e

- GSM-Tester (CMU200 or 4400S incl. Options)
- PC-incl. Monitor, Keyboard and Mouse
- Bootadapter 2000/2002 ([L36880-N9241-A200](#))
- Adapter cable for Bootadapter due to **new** Lumberg connector
- Troubleshooting Frame SX1 ([F30032-P297-A1](#)) MMI (F30032-P351)
- Power Supply
- Spectrum Analyser min. 4GHz
- Active RF-Probe incl. Power Supply
- Oscilloscope incl. Probe
- RF-Connector (N<>SMA(f))
- Power Supply Cables
- Dongle ([F30032-P28-A1](#)) if USB-Dongle is used a special driver for NT is required
- BGA Soldering equipment

Reference: Equipment recommendation V1.2
(downloadable from the technical support page)

3 Required Software for Level 2,5e SX1

- Windows NT Version4 or Win2000
- Winsui version1.43 or higher (OMAP for MMI)
- Software for GSM-Tester (Cats(Acterna/Wiltek) or CMU-GO(Rohde&Schwarz))
- Software for reference oscillator adjustment
- Internet unblocking solution
- Dongle driver for USB-Dongle if used with WIN NT4

V 1.1	Page 10 of 63	ICM MP CCQ GRM T
SX1	Company Confidential Copyright 2003© Siemens AG	11/03

4 Radio Part

The radio part of the SX1, is using a Hitachi

The radio part is designed for Tripple Band operation, covering EGSM900, GSM1800 as well as GSM 1900 frequencies, and can be divided into 4 Blocks.

- Power supply for RF-Part
- Transmitter
- Receiver
- Synthesizer,

The RF-Part has it's own power supply realised by a voltage regulator which is located inside the ASIC. The voltages for the logic part are generated by the Power-Supply ASIC too.

The transmitter part converts the I/Q base band signals supplied by the logic (EGOLD+) into RF-signals with characteristics as defined in the GSM recommendation (www.etsi.org) After amplification by a power Amplifier the signal is radiated via the internal or external antenna.

The receiver part converts the received GMSK signal supplied by the antenna into IQ base band signals which are further processed by the logic (EGOLD+).

The synthesizer generates the required frequencies for the transmitter and receiver. A 26MHz oscillator is acting as a reference frequency.

Restrictions:

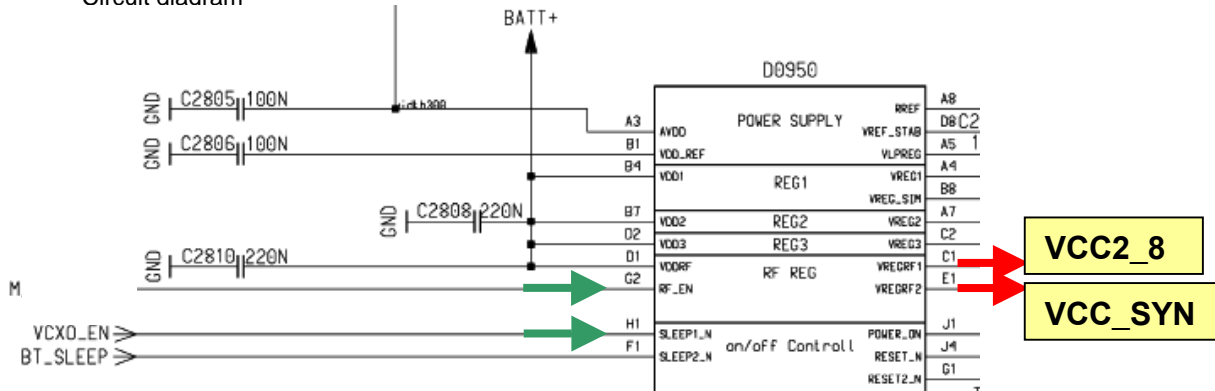
The mobile phone can never transmit and receive in both bands simultaneously. Only the monitor time slot can be selected independently of the frequency band. Transmitter and receiver can of course never operated simultaneously.

V 1.1	Page 11 of 63	ICM MP CCQ GRM T
SX1	Company Confidential Copyright 2003© Siemens AG	11/03

4.1 Power Supply RF-Part

The voltage regulator for the RF-part is located inside the ASIC D2802. It generates the required 2,8V "RF-Voltages" named **VCC2_8** and **VCC_SYN**. The voltage regulator is activated as well as deactivated via **M_RF1_EN** (TDMA-Timer H16) and **VCXOEN_UC** (Miscellaneous R6) provided by the EGOLD+. The temporary deactivation is used to extend the stand by time.

Circuit diagram

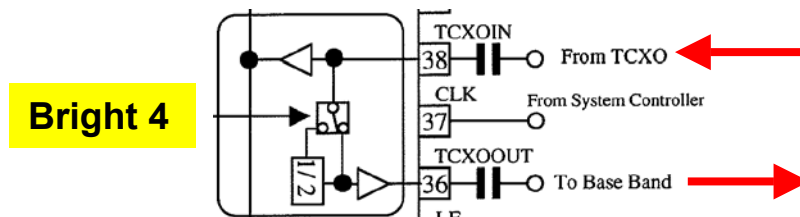


4.2 Frequency generation

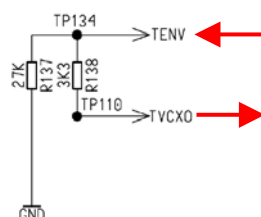
4.2.1 Synthesizer: The discrete VCXO (26MHz)

The SX1 mobile is using a reference frequency of 26MHz for the Hitachi chip set. The generation of the 26MHz signal is done via a TVCXO Z950. TP (test point) of the 26MHz signal is the TP 2310

The oscillator output signal 26MHz_RF is directly connected to the BRIGHT IC (pin 38) to be used as reference frequency inside the Bright (PLL). The signal leaves the Bright IC as BB_SIN26M at (pin 36) to be further used from the EGOLD+ (D100 (functional T3)).



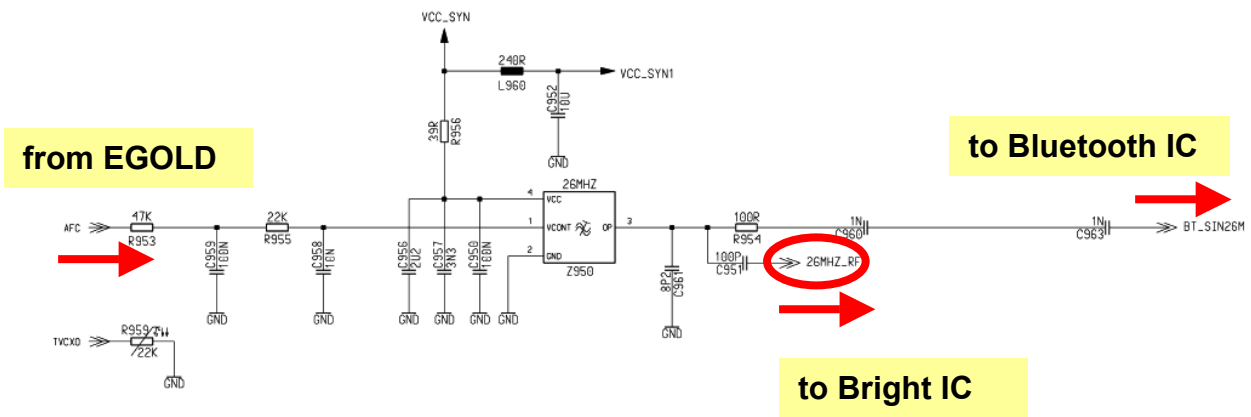
To compensate frequency drifts (e.g. caused by temperature) the oscillator frequency is controlled by the (AFC) signal, generated through the internal EGOLD+ (D100 (functional U5)) PLL via the capacity diode V951. Reference for the "EGOLD-PLL" is the base station frequency. To compensate a temperature caused frequency drift, the temperature-depending resistor R959 is placed near the VCXO to measure the temperature. The measurement result TVCXO is reported to the EGOLD+(Analog Interface P3) via R138 as the signal TENV.



The required voltage **VCC_SYN** is provided by the ASCII D2820

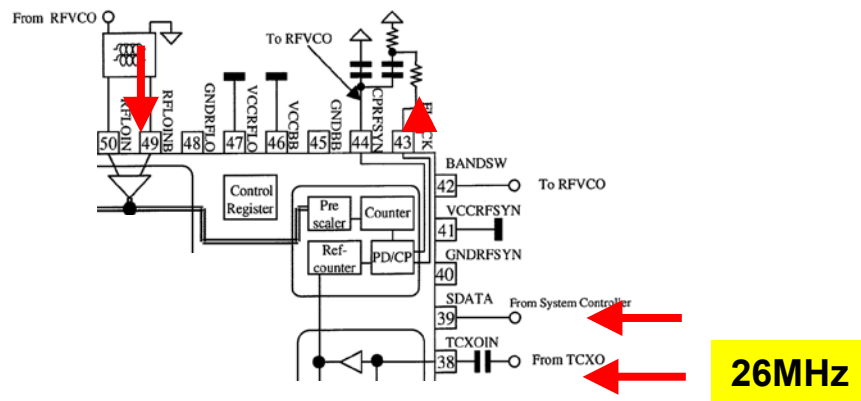
V 1.1	Page 12 of 63	ICM MP CCQ GRM T
SX1	Company Confidential Copyright 2003© Siemens AG	11/03

Circuit diagram



4.2.2 Synthesizer: LO1

The first local oscillator is needed to generate frequencies which enables the transceiver IC to demodulate the receiver signal and to perform the channel selection in the TX part. To do so, a control voltage for the LO1 is used. Gained by a comparator. (located inside the Transceiver (Bright -IC)). This control voltage is a result of the comparison of the divided LO1 and the 26MHz reference Signal. The division ratio of the dividers is programmed by the EGOLD+, according to the network channel requirements.



The first local oscillator (LO1) consists of the PLL inside the Bright (D800), an external loop filter and the VCO (Z850) module. LO1 generates frequencies from:
 3700-3980 MHz for EGSM900
 3580-3760 MHz for GSM1800
 3860-3980 MHz for GSM1900

Formula for TX frequencies:

EGSM900
 Channel: 975...1023/76...92 = (Ch. freq. + 82MHz) * 4
 Channel: 0...75/93...124 = (Ch. freq. + 80MHz) * 4

GSM1800
 Channel: 512...661 = (Ch. freq. + 80MHz) * 2
 Channel: 662...885 = (Ch. freq. + 82MHz) * 2

GSM1900
 Channel: 512...810 = (Ch. freq. + 80MHz) * 2

Formula for RX frequencies:

EGSM900
 Channel freq. * 4

GSM1800
 Channel freq. * 2

GSM1900
 Channel freq. * 2

The VCO (Z850) is switched on by the EGOLD+ signal PLLON (TDMA-Timer F16) via V850 and therefore supplied with VCC2_8. The VCO guarantees by using the control voltage at pin5 a coverage of the EGSM900, GSM1800 and GSM1900 frequency band and frequency stability. The Bright gained control voltage passes on the way to the VCO a discreet loop filter (typical value from 0,5 – 2,1V). The channel programming of the PLL happens via the EGOLD+ signals RFDATA; RFCLK; RFSTR. (RF Control J15, J16, J17). If the Bright IC gets via the same signals a GSM1800 channel information, the VCO is switched to this frequency by Pin 42 Bright (Pin 3 VCO).

- For GSM900 - RX = "low signal" for channel 975-49
- = "high signal" for channel 50-124
- TX = "high signal" for all channels

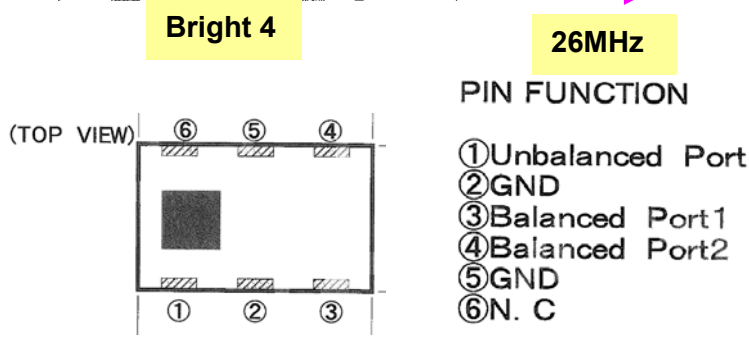
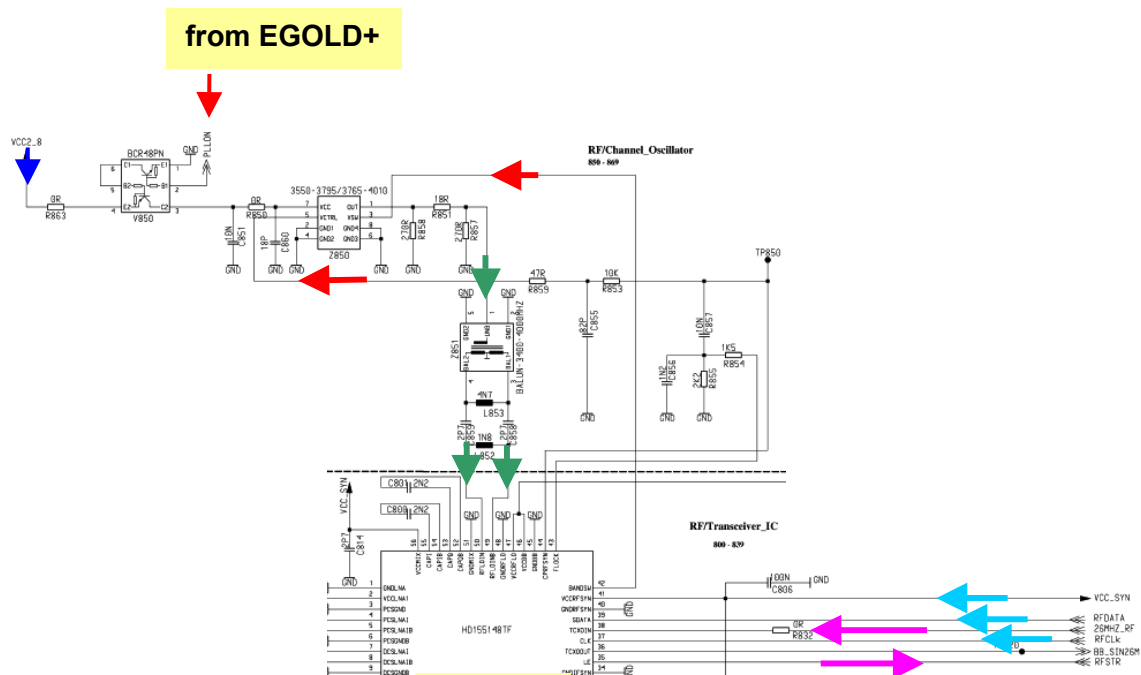
- For GSM1800 - RX = "low signal" for all channels
- TX = "low signal" for all channels

- For GSM1900 - RX = "high signal" for all channels
- TX = "high signal" for all channels

The VCO output signal passes the "Balun" transformer (Z851) with insertion losses of ~ 2dB to arrive at the Bright IC.

The required voltage VCC8_8 is provided by the ASIC D2820

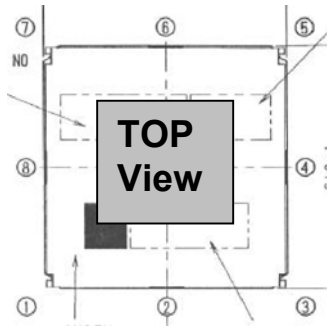
Circuit diagram



Balun transformer

V 1.1	Page 15 of 63	ICM MP CCQ GRM T
SX1	Company Confidential Copyright 2003© Siemens AG	11/03

VCO



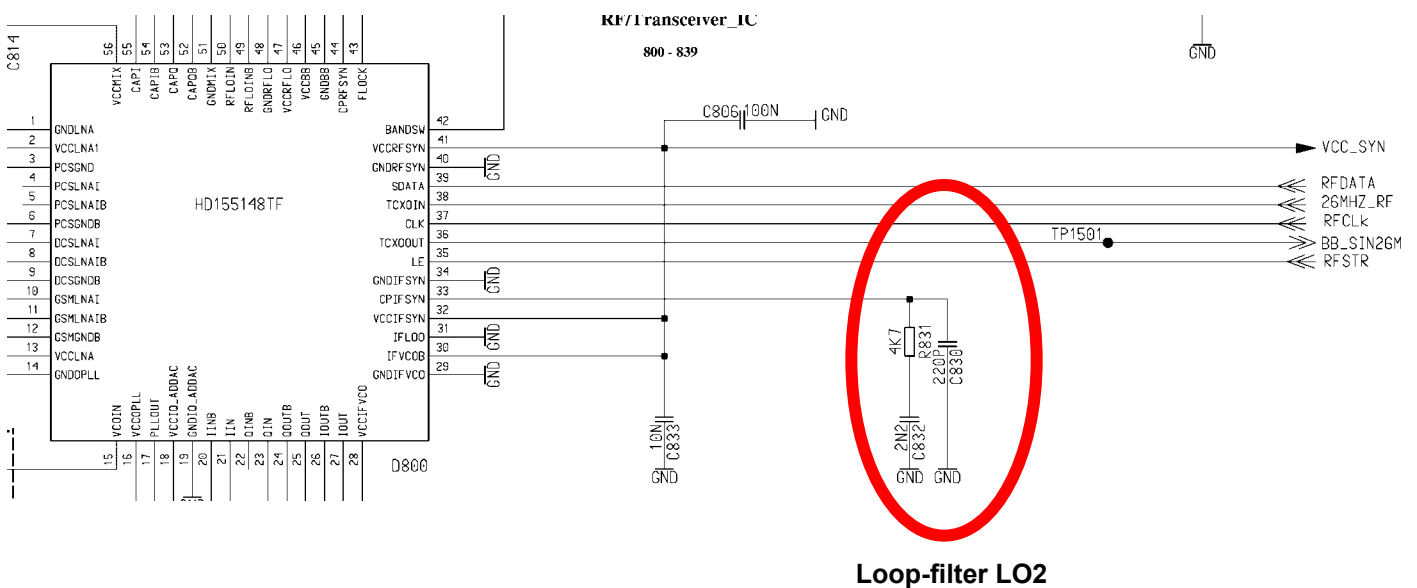
TERMINAL NO.	CONTENTS
1	OUT
2	GND
3	SW
4	GND
5	VCTL
6	GND
7	VCC
8	GND

4.2.3 Synthesizer: LO2

The second local oscillator is required for transmitter operations only. It consists of a PLL and a VCO which are integrated inside the Bright 4, and an external second order loopfilter (R831; C830; C832). Before the VCO generated 640 or 656MHz signal arrives at the modulator, it is divided by 8. So the resulting frequency after the IQ modulator is 80/82MHz (depending on channel and band). Programming of the LO2 PLL is done in the same way as described at the LO1. The tree-wire-bus (EGOLD+ signals RFDATA; RFCLK; RFSTR. (RF Control J15, J16, J17) is used. To ensure the frequency stability, the 640MHz VCO signal is compared by the phase detector of the 2nd PLL with the 26MHz reference signal. The resulting control signal passes the external loop filter and is used to control the 640/656MHz VCO.

The required voltage **VCC_SYN** is provided by the ASIC **D2820**

Circuit diagram

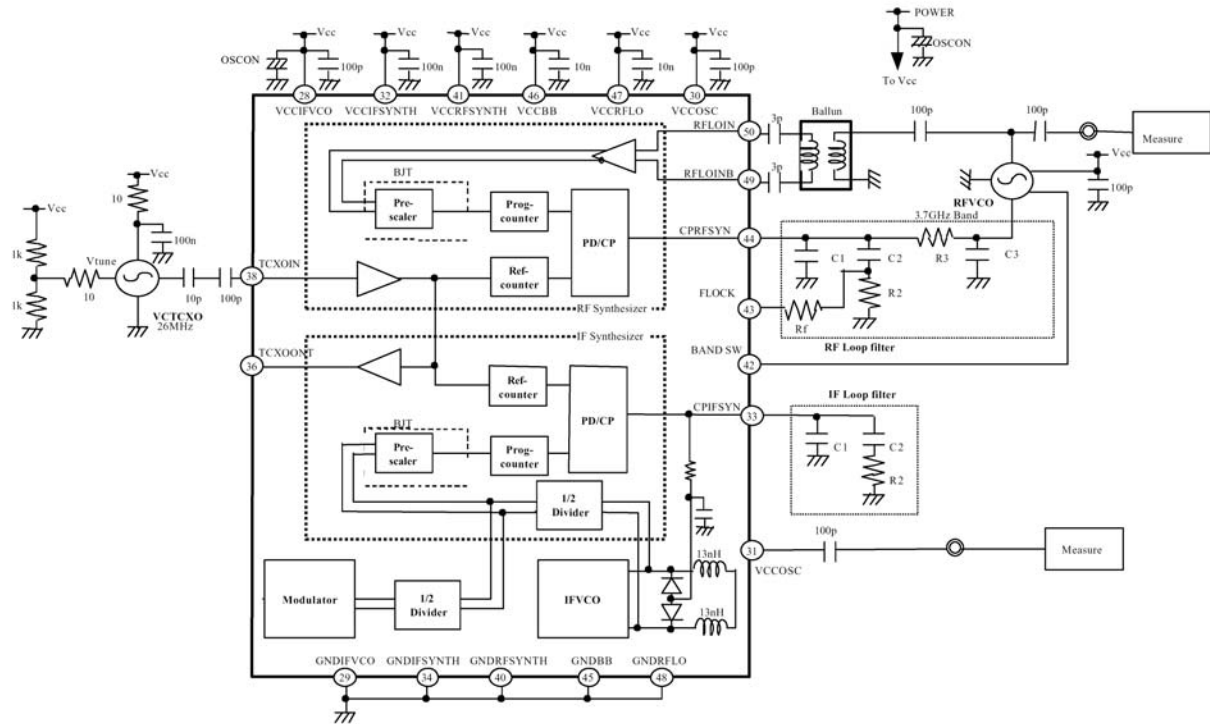


Loop-filter LO2

4.2.4 Synthesizer: PLL

PLL as a part of the BRIGHT IC

Blockdiagram



4.3 Antenna switch (electrical/mechanical)

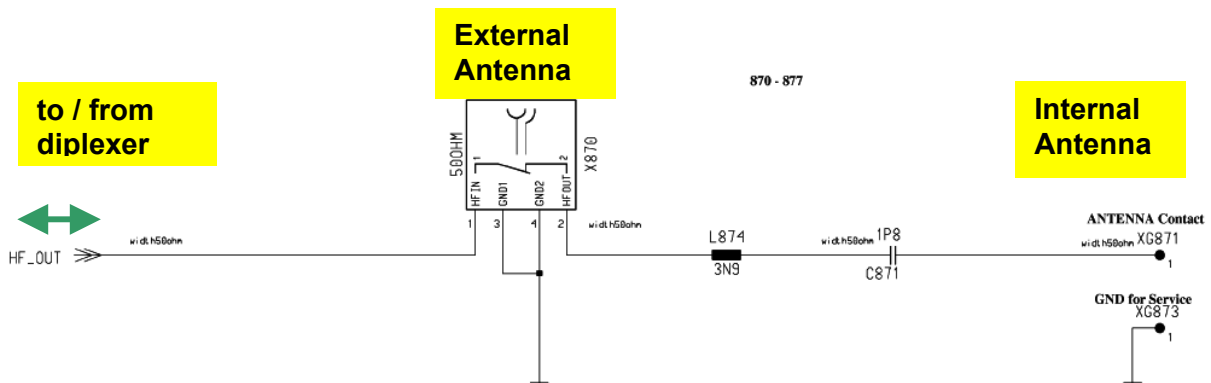
Internal/External <> EGSM900/GSM1800/GSM1900 <> Receiver/Transmitter

The SX1 mobile has two antenna switches.

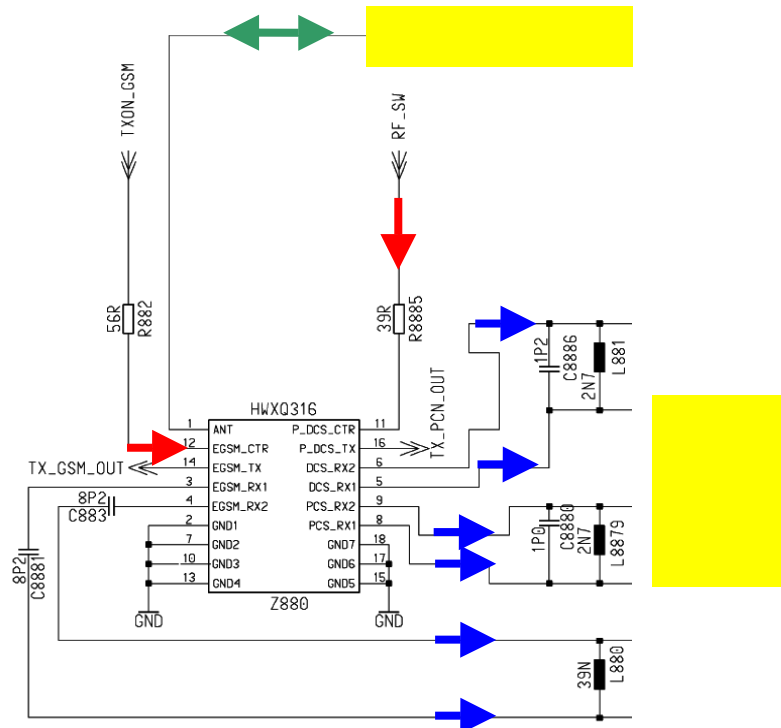
- The mechanical antenna switch for the differentiation between the internal and external antenna
- The electrical antenna switch, for the differentiation between the receiving and transmitting signals. To activate the correct settings of this diplexer, the EGOLD+ signals **RF_SW** and **TXON_GSM** are required

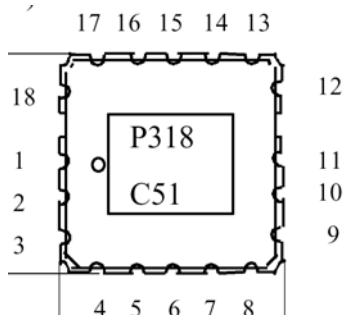
Circuit diagrams

- Internal/External antenna switch



- The electrical antenna switch





Z880 Top View

1	ANT	10	GND
2	GND	11	V _c (DCS)
3	EGSM-Rx1	12	V _c (EGSM)
4	EGSM-Rx2	13	GND
5	DCS-Rx1	14	EGSM-Tx
6	DCS-Rx2	15	GND
7	GND	16	DCS-Tx
8	NC	17	GND
9	NC	18	GND

		EGSM		DCS	
		Rx	Tx	Rx	Tx
V _c (EGSM)	0V	on	off	-	-
	2.5V (10mA)	off	on	-	-
V _c (DCS)	0V	-	-	on	off
	2.5V (10mA)	-	-	off	on

4.4 Receiver

4.4.1 Receiver: EGSM900/GSM1800/GSM1900 –Filter to Demodulator

From the antenna switch, up to the demodulator the received signal passes the following blocks to get the demodulated baseband signals for the EGOLD+:



Z880

Bright

Filter: The EGSM900, GSM1800 and GSM 1900 filters are located inside the frontend module. The Filter are centred to a frequency of 942,5MHz for EGSM900, 1847,5MHz for GSM1800 and 1960MHz for GSM1900. The symmetrical filter output is matched via LC-Combinations to the LNA input of the BRIGHT (D800)

LNA: The 2 LNA's (EGSM900/GSM1800/GSM1900) are located inside the BRIGHT and are able to perform an amplification of ~ 20dB. The LNA can be switched in HIGH (On) and LOW (Off) mode and is controlled by the Bright depending on EGOLD+ information.

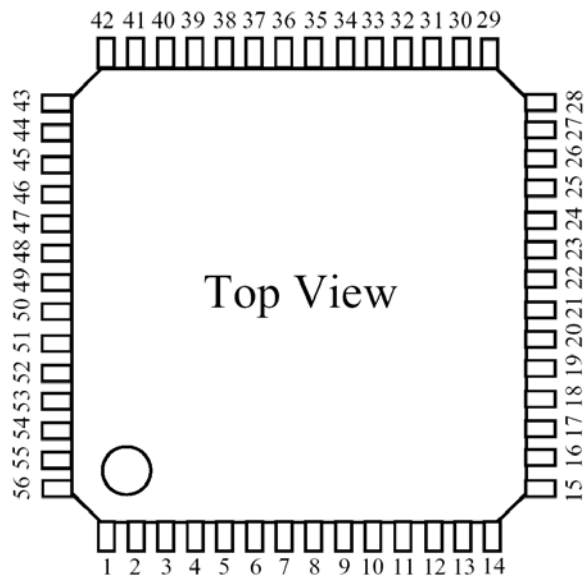
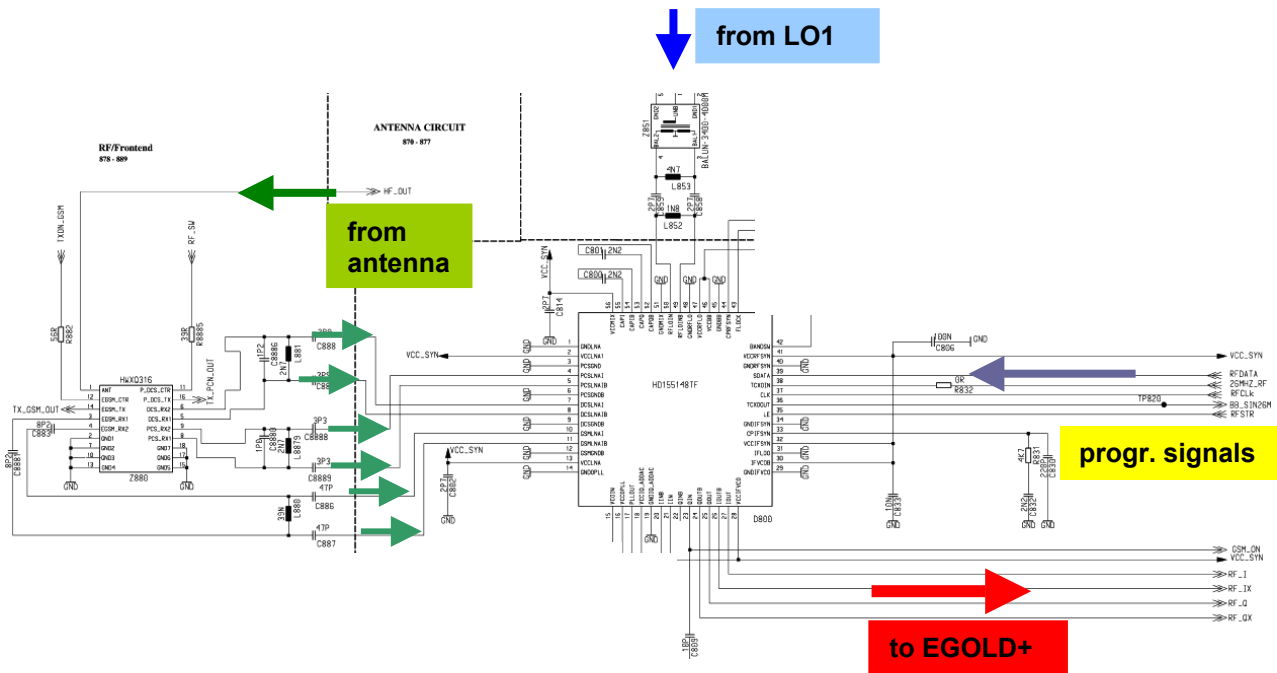
Demodulator: The Bright IC performs a direct demodulation of the received GSM signals. To do so the LO1 is required. The channel depending LO1 frequencies for 1800MHz/1900MHz bands are divided by 2 and by 4 for 900MHz band, Bright internally.

PGC: After demodulation the "I" and "Q" signals are amplified by the PGC-Amplifier the "I" and the "Q" path are amplified independently from each other. The performance of this PGC is 80dB (-26 up to 54dB), switchable in steps of 2dB. The control is realised through the EGOLD+ signals (RFDATA; RFCLK; RFSTR.(RF Control J15, J16, J17). After passing a Bright internal switch (necessary because of the double using of RX and TX lines), the signals are ready for further processing through the EGAIM (part of the EGOLD+) The post-switched logic measures the level of the demodulated baseband signal and regulates the level to a defined value by varying the PGA-Amplification and switching the appropriate LNA gains

The required voltage **VCC_SYN** is provided by the ASIC [D2820](#)

V 1.1	Page 19 of 63	ICM MP CCQ GRM T
SX1	Company Confidential Copyright 2003© Siemens AG	11/03

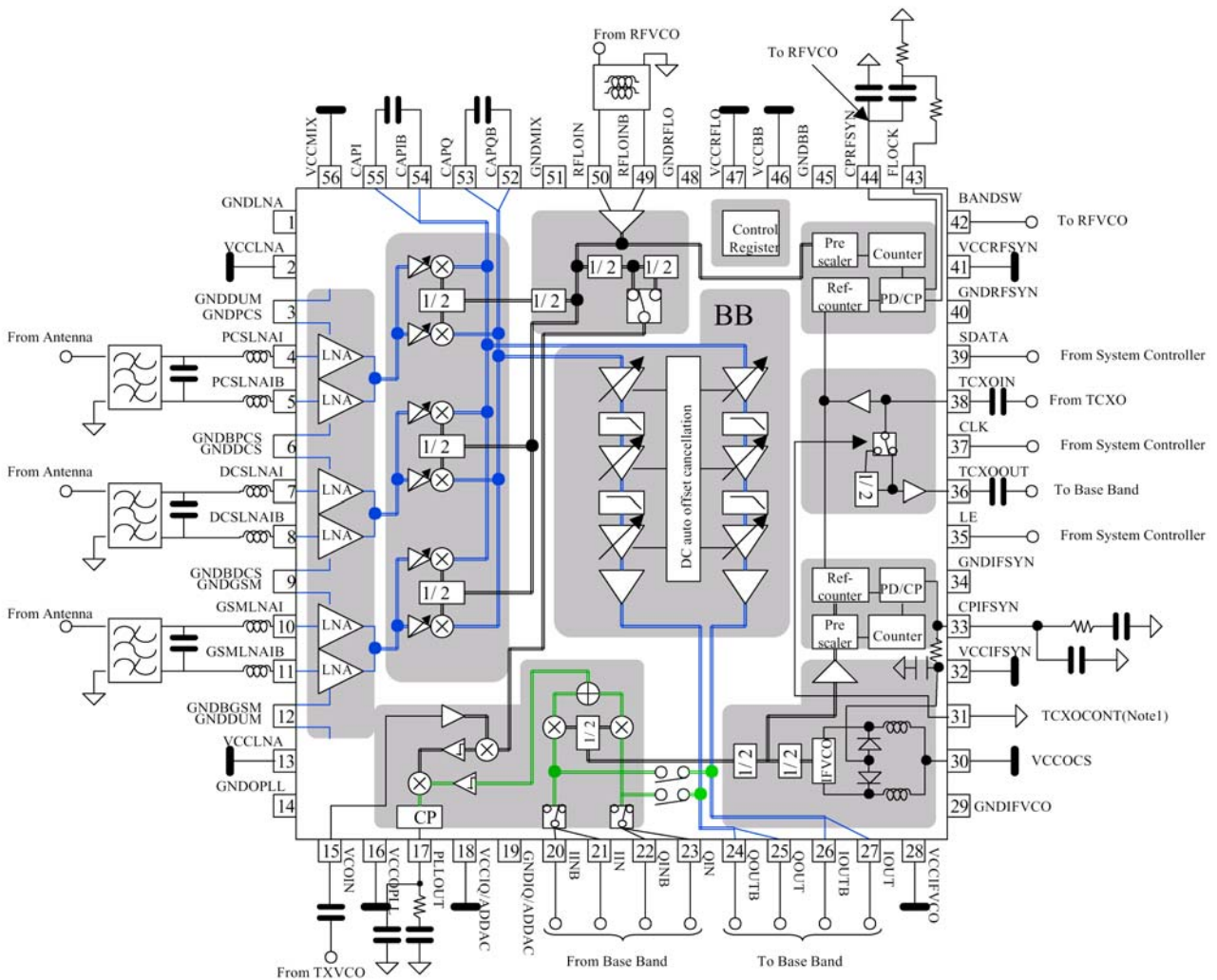
Circuit diagram



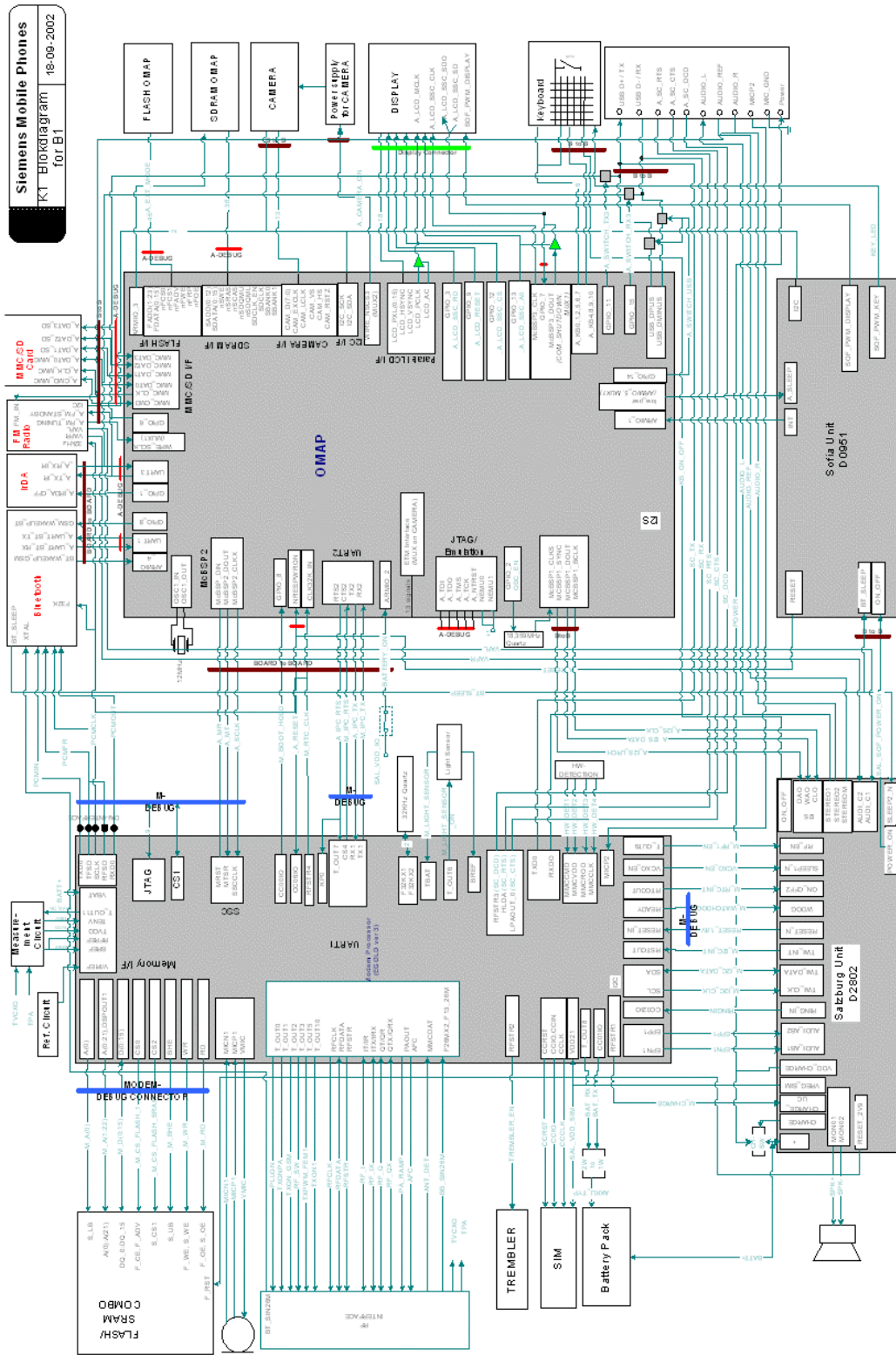
4.4.2 IC Overview

IC Overview

BRIGHT IV



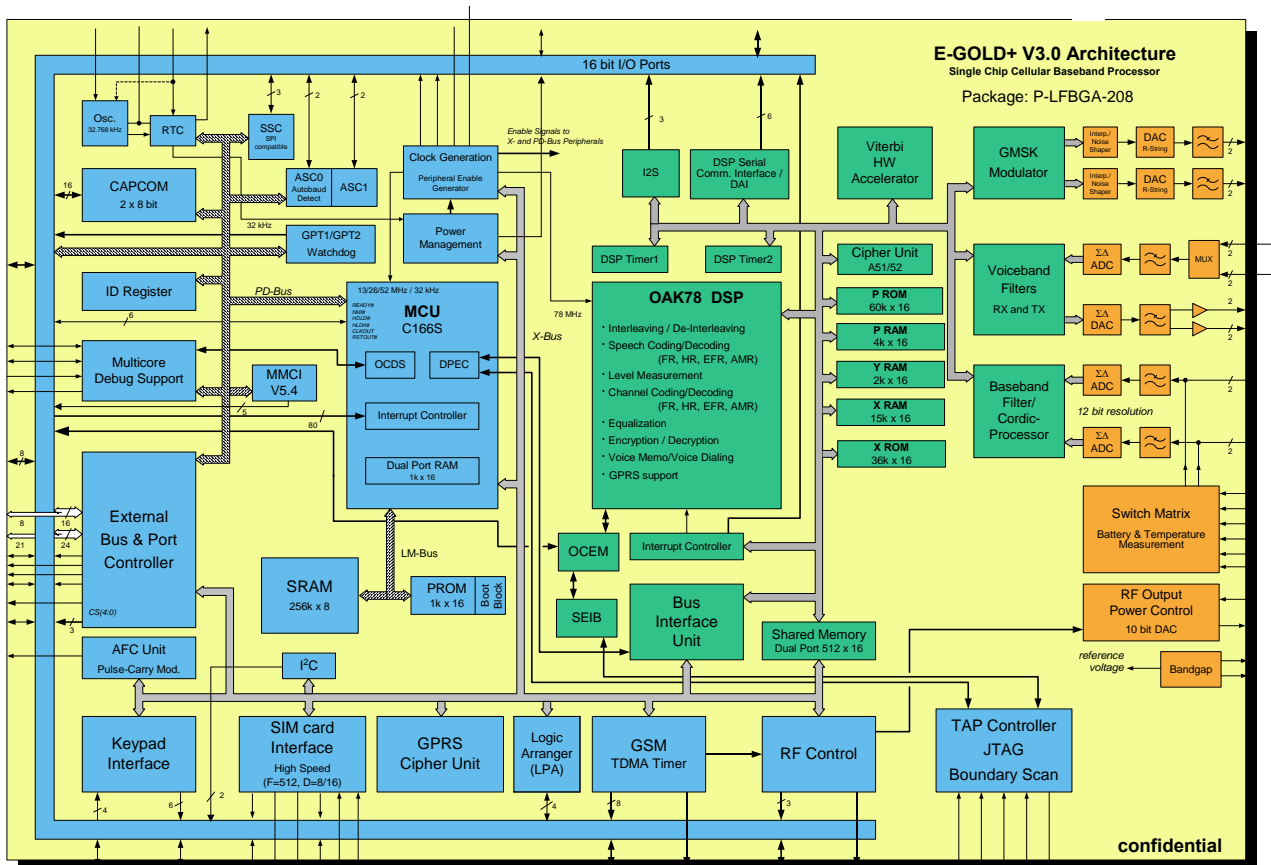
5 Logic



5.1 Modem System

5.1.1 EGOLD+

Block Diagram EGOLD+ V3.1



The EGOLD+ contains a 16-bit micro-controller (μC part), a GSM analog Interface (EG. M), a DSP computing core (DSP part) and an interface for application-specific switch-functions.

The μC part consists of the following:

- Micro-controller
- System interfaces for internal and external peripherals
- On-chip peripherals and memory

The Controller Firmware carries out the following functions:

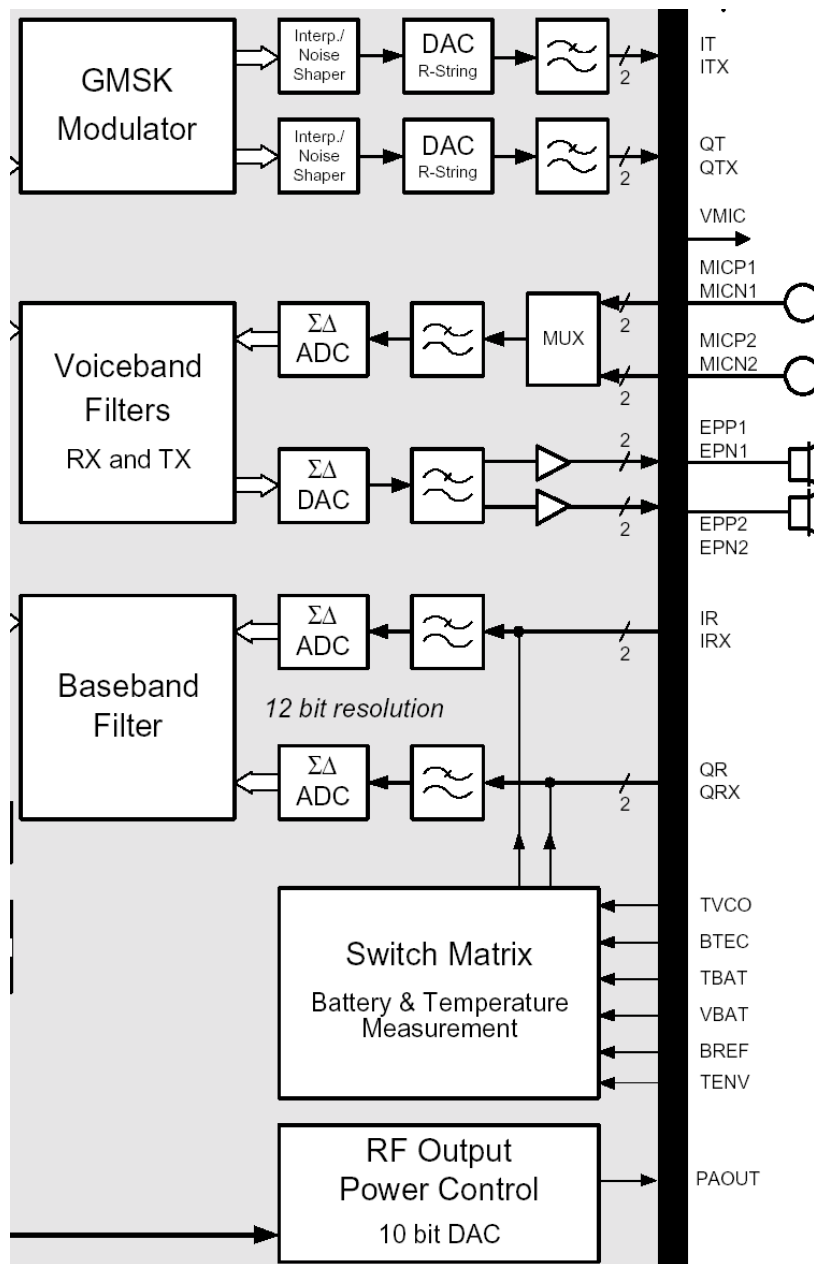
- Control of the Man Machine Interface (keypad, LCD, sensing element, control of the illumination,...)
- GSM Layer 1,2,3 /GPRS
- Control of radio part (synthesizer, AGC, AFC, Transmitter, Receiver...),
- Control of base band processing (EGAIM)
- Central operating system functions (general functions, chip select logic, HW drive control of mobile phones and accessories...).

V 1.1	Page 24 of 63	ICM MP CC	GRM T
SX1	Company Confidential Copyright 2003© Siemens AG		11/03

The EGAIM part contains the interface between the digital and the analogue signal processing:

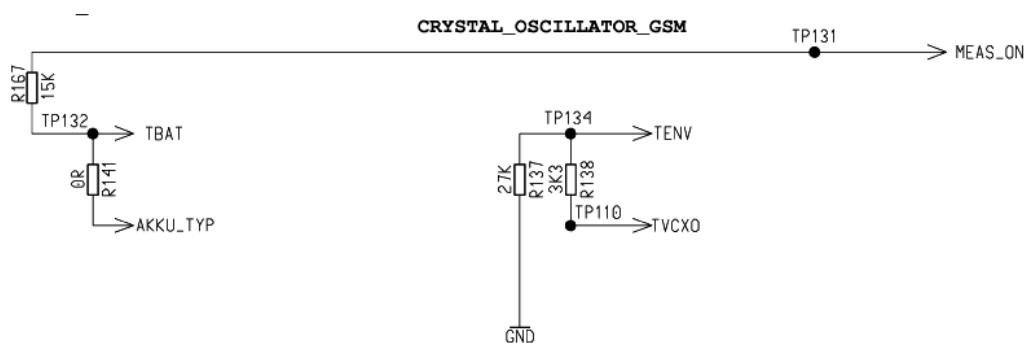
- 2 Sigma Delta A/D converters for RX signal, and for the necessary signals for the charge control and temperature measurement. For this, the converter inputs are switched over to the various signals via the multiplexer.
- 2 D/A converters for the GMSK-modulated TX signal,
- 1 D/A converter for the Power Ramping Signal,
- 1 Sigma Delta A/D and D/A converter for the linguistic signal.

Blockdiagram EGAIM inside the EGOLD



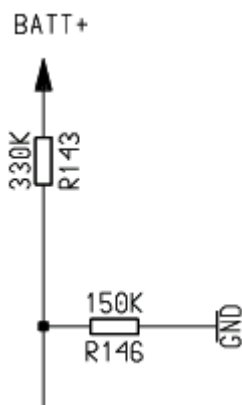
Measurement of Battery and Ambient Temperature

The battery temperature is measured via the voltage divider R1387, R138 by the EGOLD+ (Analog Interface P2). For this, the integrated $\Sigma\Delta$ converter of the RX-I base band branch is used. This $\Sigma\Delta$ converter compares the voltage of TBAT and TENV internally. Through an analogue multiplexer, either the RX-I base band signal, or the TBAT signal and the TENV signal is switched to the input of the converter. The signal MEAS_ON from the EGOLD+(GSM TDMA-TIMER H15) activates the battery voltage measurement. The ambient temperature TENV is measured directly at of the EGOLD+ (Analog Interface P3).



Measurement of the Battery Voltage

The measurement of the battery voltage is done in the Q-branch of the EGOLD+, for this BATT+ is connected via a voltage divider R143, R146 to the EGOLD+(Analog Interface P1). An analogue multiplexer does the switching between the baseband signal processing and the voltage measurement.



A/D conversion of MIC-Path signals incl. coding

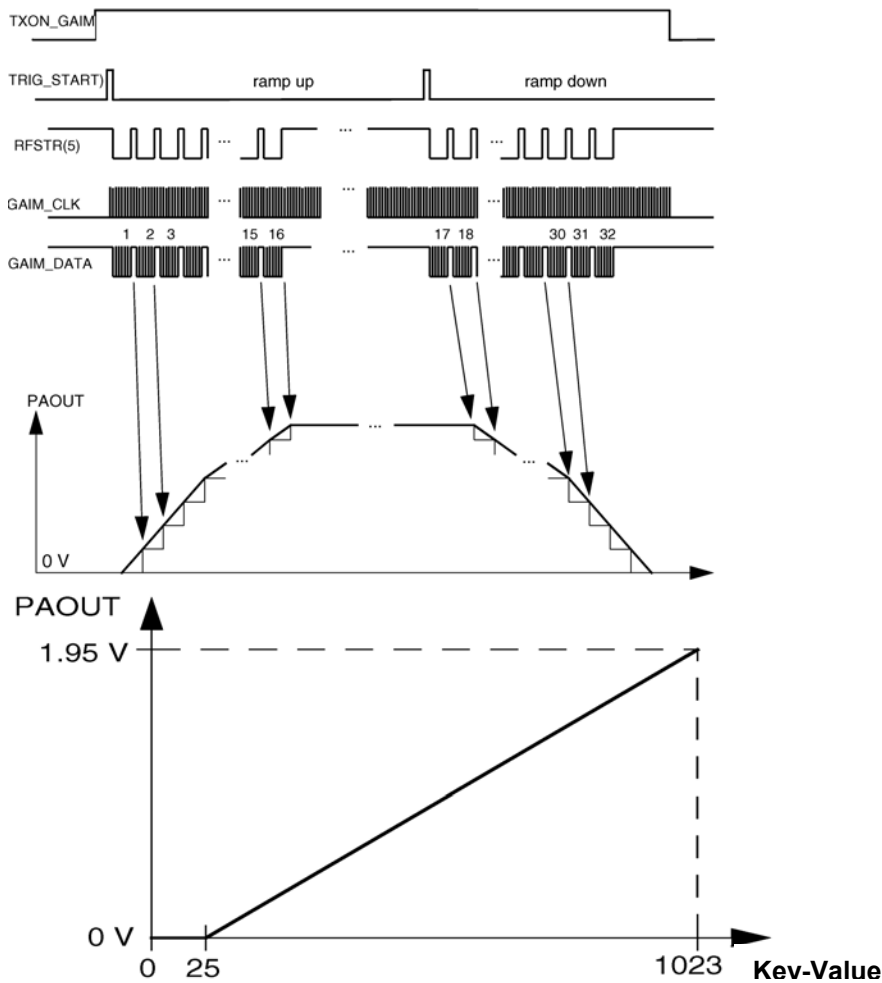
The Microphone signals (MICN2, MIP2, MICP1, MICN1) arrive at the voiceband part of the EGOLG+. For further operations the signals will be converted into digital information, filtered, coded and finally formed into the GMSK-Signal by the internal GMSK-Modulator. This so generated signals (RF_I, RF_IX, RF_Q, RF_QX) are given to the Bright IC in the transmitter path.

D/A conversion of EP-Path signals incl. decoding

Arriving at the baseband-Part the demodulated signals (RF_I, RF_IX, RF_Q, RF_QX) will be filtered and A/D converted. In the voiceband part after decoding (with help of the µC part) and filtering the signals will be D/A converted amplified and given as (EPP1_FIL, EPN1_FIL) to the Power Supply ASIC.

Generation of the PA Control Signal (PA_RAMP)

The RF output power amplifier needs an analogue ramp up/down control voltage. For this the system interface on EGOLD+ generates 10 bit digital values which have to be transferred serially to the power ramping path. After loading into an 10 bit latch the control value will be converted into the corresponding analogue voltage with a maximum of ~2V



The DSP part contains:

- DSP signal processor
- Separate program/data memory
- a hardware block for processing the RX signal,
- a hardware block for “ciphers”,
- a hardware block for processing the linguistic signal,
- a hardware block for the “GMSK modulator”,
- De-/ interleaving memory,
- Communication memory
- a PLL for processing and reproducing the VCXO pulse signal.

In the DSP Firmware are implemented the following functions:

- scanning of channels, i.e., measurement of the field strengths of neighbouring base stations
- detection and evaluation of Frequency Correction Bursts
- equalisation of Normal Bursts and Synchronisation Bursts
- channel encoding and soft-decision decoding for fullrate, enhanced-fullrate and adaptive multirate speech, fullrate and halfrate data and control channels.
- channel encoding for GPRS coding
- fullrate, enhanced fullrate and adaptive multirate speech encoding and decoding
- mandatory sub-functions like
 - discontinuous transmission, DTX
 - voice activity detection
 - background noise calculation
- generation of tone and side tone
- hands-free functions
- support for voice memo
- support for voice dialling
- loop-back to GSM functions
- GSM Transparent Data Services and Transparent Fax
- calculation of the Frame Check Sequence for a RLP frame used for GSM NonTransparent Data Services
- support of the GSM ciphering algorithm

Real Time Clock (integrated in the EGOLD+):

The real time clock is powered via a separate voltage regulator inside the Power Supply ASIC. Via a capacitor, data are kept in the internal RAM during a battery change for at least 30 seconds. An alarm function is also integrated with which it is possible to switch the phone on and off.

5.1.2 SRAM

Memory for volatile data

Memory Size: 4 Mbit
Data Bus: 16Bit

5.1.3 FLASH

Memory Size: 64Mbit (8 Mbyte)
Data Bus: 16 Bit

5.1.4 SIM

SIM cards with supply voltages of 1.8V and 3V are supported.

V 1.1	Page 28 of 63	ICM MP CCQ GRM T
SX1	Company Confidential Copyright 2003© Siemens AG	11/03

5.1.5 Vibration Motor

The vibration motor is mounted in the lower case. The electrical connection to the PCB is realised with pressure contacts.

5.2 Power Supply ASIC Salzburg

The power supply ASIC contains the following functions:

- Powerdown-Mode
- Sleep Mode
- Trickle Charge Mode
- Power on Reset
- Digital state machine to control switch on and supervise the μ C with a watchdog
- Voltage regulator
- Low power voltage regulator
- Additional output ports
- Voltage supervision
- Temperature supervision with external and internal sensor
- Battery charge control
- TWI interface
- I2C interface
- RC Oscillator
- Audio multiplexer
- Audio amplifier stereo/mono
- 18 bit Sigma/Delta DAC with Clock recovery
- Bandgap reference*

INFO:

* Bandgap reference

The p-n junction of a semiconductor has a bandgap-voltage. This bandgap-voltage is almost independent of changes in the supply voltage and has a very low temperature gradient. The bandgap-voltage is used as reference for the voltage regulators.

To reduce the power dissipation of the ASIC and to ensure high efficiency of the power management concept a DCDC Converter for the Core (EGOLD+V3 Baseband Chipset), Flash and SRAM supply is used.

The DCDC converter includes the following functions:

- PFM Mode for sleep mode of the Mobile Phone.
- PWM Mode for active mode of the Mobile Phone.

The mode change is controlled by the ASIC with the signal EN_DC_DOWN based on the EGOLD+ signal VCXO_EN.

V 1.1	Page 29 of 63	ICM MP CCQ GRM T
SX1	Company Confidential Copyright 2003© Siemens AG	11/03

5.2.1 Pinout diagram

9	8	7	6	5	4	3	2	1	
Vdda	ref	vreg2	dao	vlpreg	vreg1	avdd	ref_exe	charge	A
vrega	vregsim	vdd2	wao	clo	vdd1	tbat	sense_in	vddref	B
pllout	vddpll	pllin	Vdddac	VSS	VSS	vdd_charge	vreg3	vregrf1	C
stereoL	vref_stab	VSSPLL	VSS	VSS	VSS	VSSSTAB	vdd3	vddrf	D
stereoR	stereom	VSS	VSS	VSS	VSS	VSS	twi_int	vregrf2	E
Vrefex_s	vddstereo	VSS	VSS	VSS	VSS	VSS	outport	sleep2_n	F
ringin	vrefex_m	VSSLNB	VSS	VSS	VSS	twi_data	rf_en	reset2_n	G
audiob1	vddmono1	vddmono2	audioc2	lv_fuse	charge_uc	wdog_uc	on_off	sleep1_n	H
audioc1	audioc1	mono1	mono2	audiob2	reset_n	on_off2	twi_clk	power_on	I

5.2.2 Power Supply Operating mode:

- Power Down Mode (mobile is switched off)

In power down mode the current consumption is very low. The inputs for switch on conditions (ON/OFF PinH2, ON/OFF2 PinJ3, VDD_CHARGE PinC3), the LPREG with his own voltage reference and POR cells are active. All other blocks are switched off, so the battery discharging will be kept to a minimum. This is the state when the phone is switched off.

- Start Up Mode (user switch on, RTC switch on)

“Start Up Mode” can be initiated by ON_OFF (falling edge) or ON_OFF2 (rising edge). In this mode a sequential start-up, of reference oscillator, voltage supervision and regulators is controlled by digital part. In case of failure (overvoltage or time out of the µC reaction), the ASIC shuts down.

-Trickle Charge Mode (to be able to charge the battery)

In case of a rising edge at VDD_CHARGE, the ASIC goes from power down to an interim state. In this state, the oscillator and the reference are started. If the voltage on VDD_CHARGE is below the charger detection threshold, the ASIC shuts off. If the voltage on VDD_CHARGE is high enough the signal EXT_PWR is going to H and the power up continues. Depending on the voltage of the battery an initial charging of the battery of the circuit is immediately done. If the Trickle Charge Mode is entered with a very low battery, the supply for the ASIC itself is generated from the internal VDDREF regulator. If a failure is detected (overvoltage), the ASIC is switched off.

- Normal Mode (following Start Up Mode or Trickle Charge Mode)

The normal mode is the situation, where the startup has been finished and the ASIC starts the external µC by changing the signal RESETN from low to high.

Mode: a) Active Mode with full capabilities of all blocks

b) Sleep Mode with reduced capabilities of some blocks and some even not available at all.

-Active Mode (submode of Normal Mode)

In this mode, the µC controls the charging block and most of the failure cases. The ASIC can be controlled by the TWI interface, interrupt request can be sent by the ASIC. Furthermore, the voltages are supervised (in case of failure the µC will be informed). In case of watchdog failure, overvoltage or power on request, the ASIC will be switched off immediately. The mono and the stereo block can be switched on in active mode.

-Sleep Mode (submode of Normal Mode)

Intention of the mode is to have a limited set of functions available with a reduced current consumption. A low level at the pin SLEEP1_N will switch from Active Mode to Sleep Mode. In Sleep Mode all charging functions and supply overvoltage detection are switched off. LDO undervoltage detection, clock and reference voltages are active. LDOs are working in low current mode. The battery voltage comparators are available, the audio block can be switched on.

5.2.3 Power Supply Functions:

- Power on Reset

To guarantee a defined startup, the ASIC will be reset by a Power on Reset block. After Power on Reset the ASIC will enter the power done Mode. If the thresholds will be reached during operating mode the reset will become the device enters the power down mode. This blocks are always active and will be supplied by VDDREF.

V 1.1	Page 31 of 63	ICM MP CCQ GRM T
SX1	Company Confidential Copyright 2003© Siemens AG	11/03

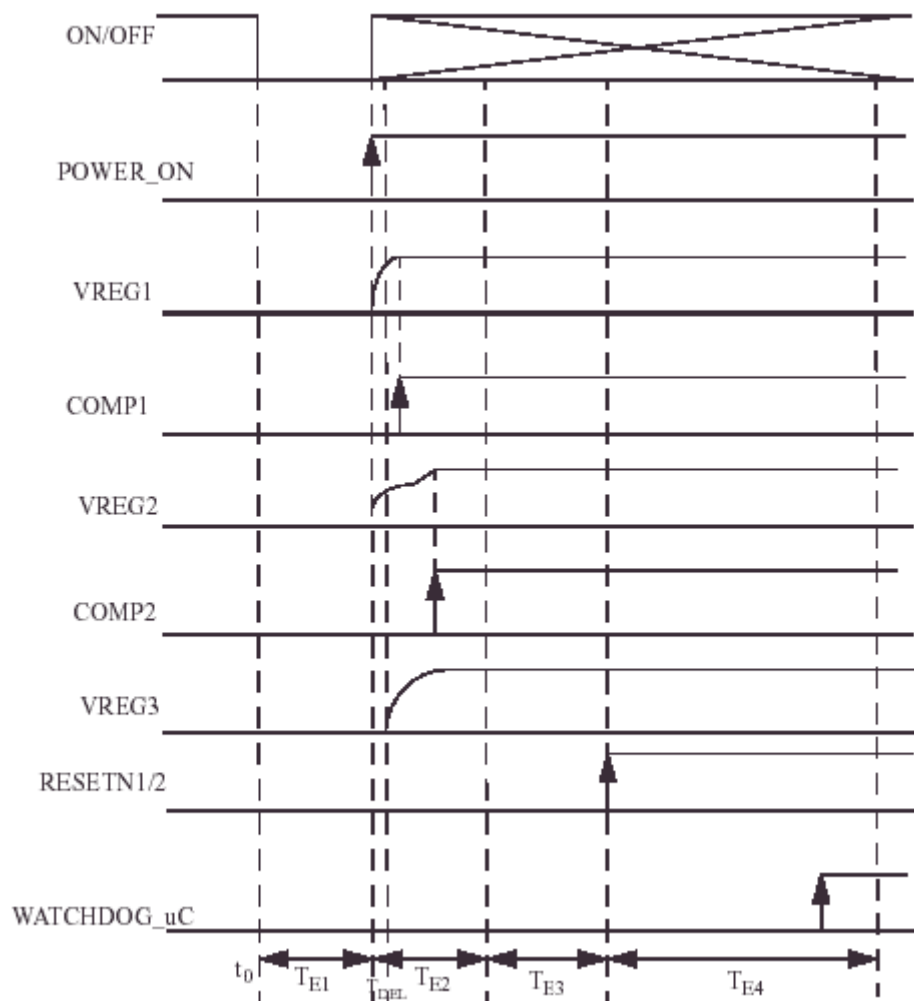
- Switch on and watchdog

There are 3 different possibilities to switch on the phone via external pins:

- VDD_CHARGE with rising edge
- ON/OFF with falling edge
- ON/OFF2 with rising edge

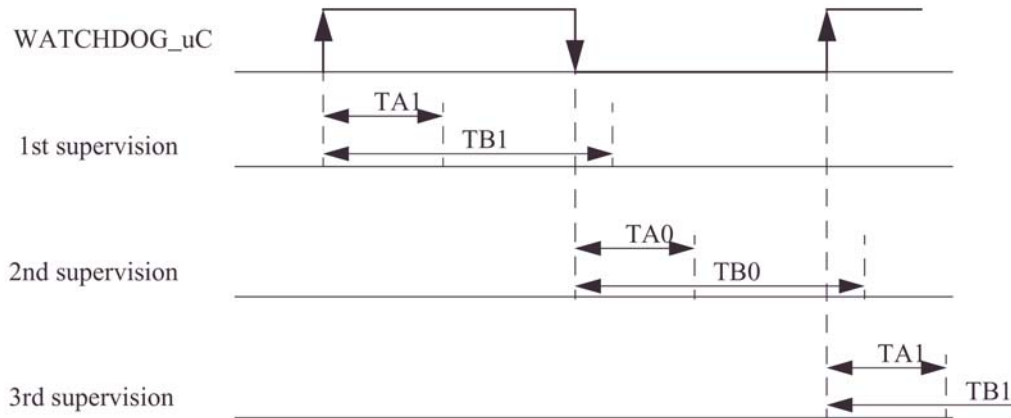
In order to guarantee a defined start-up behavior of the external components, a sequential power up is used and the correct start up of blocks is supervised. In normal mode, a continuous watchdog signal from the μC is needed to keep the system running. If this signals fails, the ASIC will switch to power down mode.

It must be guaranteed, that each start up condition does not interfere and block the other possible start up signals. In case of failure during start up, the device will go back to power down mode. To guarantee that the connection of the a charging unit with a very low battery is detected, this detection must work level sensitive at the end of POR signal.



- Watchdog monitoring

As soon as the first Watchdog_μC pin rising is detected , the device start the watchdog monitoring procedure. Standard switch off of the phone is the watchdog. The first edge of watchdog is rising. If a falling edge is detected ass the first transient the device will go to power down mode again and the whole phone is switched off.



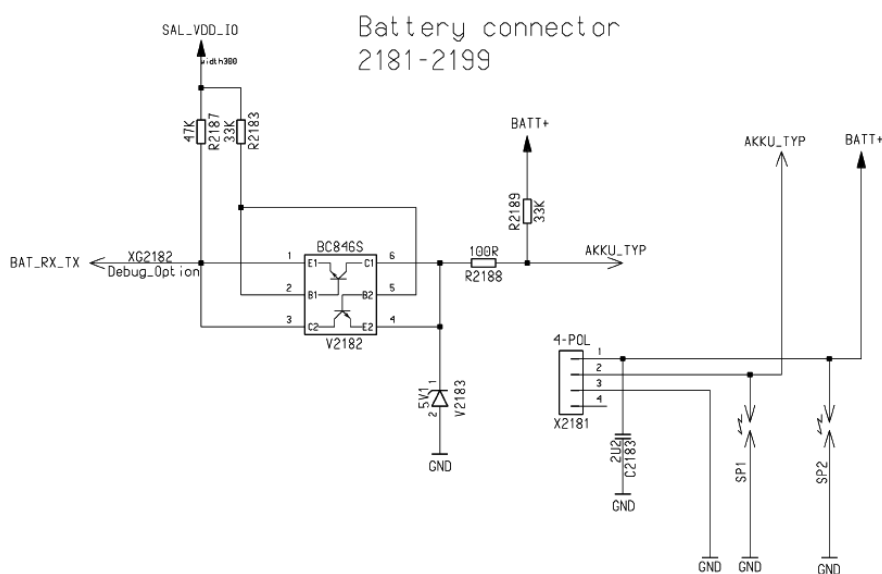
Rising and falling edges must be detected alternated. With any edge on Watchdog_μC pin a counter will be loaded. The next – compared to the previous edge – inverted edge must occur between end of TA0,TA1 and end of TB0,TB1. If the signal occurs before end of TA0, TA1 or is not detected until end of TB0, TB1, the device will go to power down mode immediately after the violation of the WD criteria occurs.

TA0, TA1 ~ 0.4 sec

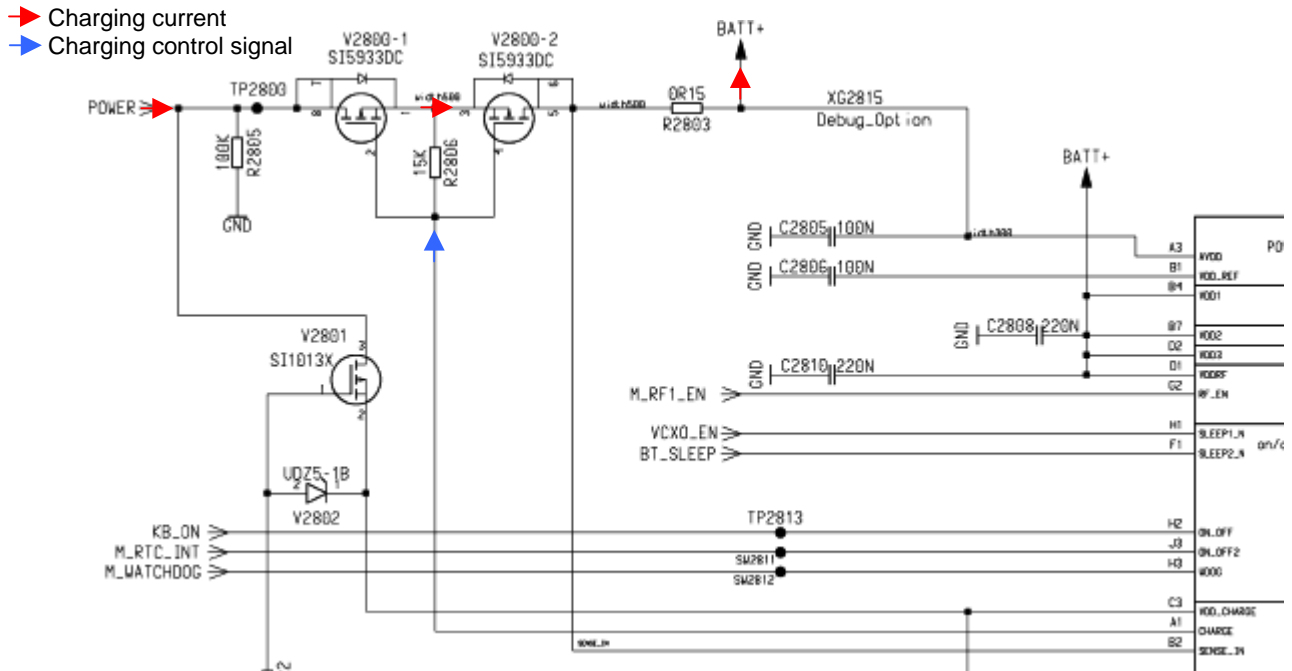
TB0, TB1 ~ 3 sec

5.3 Battery

As battery a Lilon battery with a nominal capacity of 3,7 Volt/1000mAh is used. Inside the battery package a IC is placed to ensure that only original batteries are used. The logic of the battery is connected via a one line RX/TX bus (BAT_RX_TX) with the Application Processor OMAP.



5.4 Charging Concept



5.4.1.1 Charging Concept

General

The battery is charged in the unit itself. The hardware and software is designed for Lilon with 4.2V technology.

Charging is started as soon as the phone is connected to an external charger. If the phone is not switched on, then charging takes place in the background (the customer can see this via the "Charge" symbol in the display). During normal use the phone is being charged (restrictions: see below).

Charging is enabled via a PMOS switch in the phone. This PMOS switch closes the circuit for the external charger to the battery. The **EGOLD+** takes over the control of this switch depending on the charge level of the battery, whereby a disable function in the **POWER SUPPLY ASIC** hardware can override/interrupt the charging in the case of over voltage of the battery (only for Manganese Chemistry Battery types e.g. NEC).

With the new slim Lumberg IO connector we lose the charger recognition via SB line. Now we measure the charge current inside the **POWER SUPPLY ASIC** with a current monitor.

The charging software is able to charge the battery with an input current within the range of 350-600mA. If the Charge-FET is switched off, then no charging current will flow into the battery (exception is trickle charging, see below).

For controlling the charging process it is necessary to measure the ambient (phone) temperature and the battery voltage. The temperature sensor will be an NTC resistor with a nominal resistance of 22kΩ at 25°C. The determination of the temperature is achieved via a voltage measurement on a voltage divider in which one component is the NTC. The NTC for the ambient temperature will be on the PCB (26 MHz part).

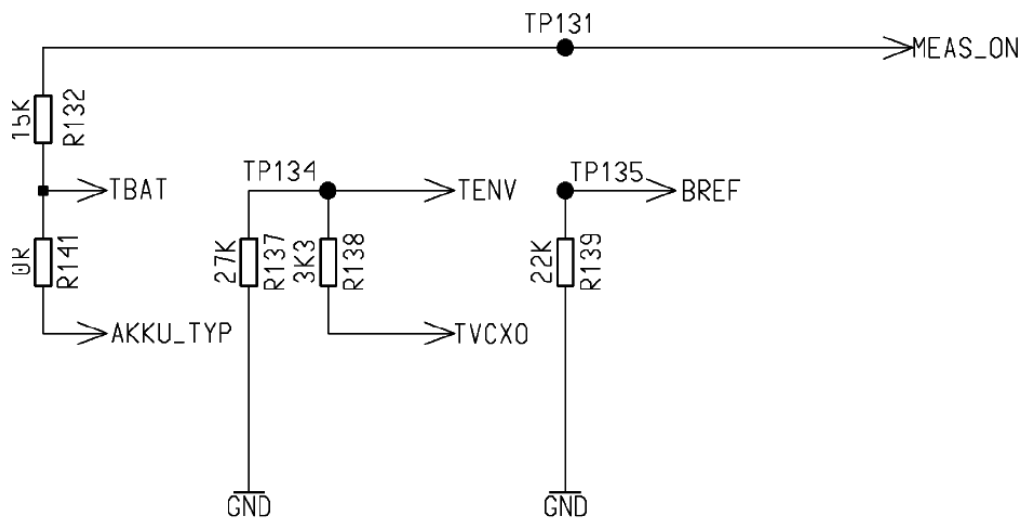
V 1.1	Page 34 of 63	ICM MP CCQ GRM T
SX1	Company Confidential Copyright 2003© Siemens AG	11/03

Measurement of Battery, Battery Type and Ambient Temperature

The voltage equivalent of the temperature and battery code on the voltage separator will be calculated as the difference against a reference voltage of the EGOLD. For this, the integrated $\Sigma\Delta$ converter in the EGOLD of the RX-I base band branch will be used. Via an analogue multiplexer, either the RX-I base band signal, the battery code voltage or the ambient temperature voltage can be switched over to the input of the converter. The 1-Bit data stream of the converter will be subjected to a data reduction via the DSP circuit so that the measured voltage (for battery and ambient temperature) will be available at the end as a 10-bit data word.

Measurement of the Battery Voltage

Analogue to the I-branch either the RX-Q base band signal or the battery voltage can be measured in the Q-branch. Processing in the DSP circuit will be done analogue to the I-branch. The EGOLD will be specified internally at voltage measurement input BATT+ for an input voltage of 3V...4.5V.



Timing of the Battery Voltage Measurement

Unless the battery is charging, the measurement is made in the TX time slot. During charging it will be done after the TX time slot. At the same time, either the battery temperature (in the I-branch) and the battery voltage (in the Q-branch) or the ambient temperature in the I-branch can be measured (the possibility of measurement in the Q-branch, the analogue evaluation of the battery coding, is used for HW-Coding). Other combinations are not possible. For the time of the measurement the multiplexer in the EGAIM must be programmed to the corresponding measurement.

Recognition of the Battery Type

The battery code is a resistor with a resistance depending on the manufacturer.

Charging Characteristic of Lithium-Ion Cells

Lilon batteries are charged with a U/I characteristic, i.e. the charging current is regulated in relation to the battery voltage until a minimal charging current has been achieved. The maximum charging current is approx. 600mA, minimum about 100mA. The battery voltage may not exceed 4.2V ±50mV average. During the charging pulse current the voltage may reach 4.3V. The temperature range in which charging of the phone may be started ranges from 5...40°C, and the temperature at which charging takes place is from 0...45°C. Outside this range no charging takes place, the battery only supplies current.

Trickle Charging

The **POWER SUPPLY ASIC** is able to charge the battery at voltages below 3.2V without any support from the charge SW. The current will be measured indirectly via the voltage drop over a shunt resistor and linearly regulated inside the **POWER SUPPLY ASIC**. The current level during trickle charge for voltages <2.8V is in a range of 20-50mA and in a range of 50-100mA for voltages up to 3.75V. To limit the power dissipation of the dual charge FET the trickle charging is stopped in case the output voltage of the charger exceeds 10 Volt. The maximum trickle time is limited to 1 hour. As soon as the battery voltage reaches 3.2 V the **POWER SUPPLY ASIC** will switch on the phone automatically and normal charging will be initiated by software (note the restrictions on this item as stated below).

Normal Charging

For battery voltages above 3.2 Volt and normal ambient temperature between 5 and 40°C the battery can be charged with a charge current up to 1C*. This charging mode is SW controlled and starts if an accessory (charger) is detected with a supply voltage above 6.4 Volt by the **POWER SUPPLY ASIC**. The level of charge current is limited/controlled by the accessory or charger.

USB Charging

For battery voltages above 3.2 Volt and normal Temperature between 5 and 40°C the battery can be charged with a charge current up to 1C. This charging mode is SW controlled and starts if an accessory (charger) with a supply voltage between 3.6 and 5.4 Volt is detected by the **POWER SUPPLY ASIC** during active mode of the phone. To enable this charging mode, the mobile phone must be registered (logged on) to a USB Host. The Charge-Only and Trickle-Charge Mode is not supported because of USB Spec. restrictions. The charge current is controlled by the **POWER SUPPLY ASIC**.

INFO:* C-rate

The charge and discharge current of a battery is measured in C-rate. Most portable batteries, are discharge with 1C. A discharge of 1C draws a current equal to the battery capacity. For example, a battery value of 1000mAh provides 1000mA for one hour if discharged at 1C. The same battery discharged at 0.5C provides 500mA for two hours. At 2C, the same battery delivers 2000mA for 30 minutes. 1C is often referred to as a one-hour discharge; a 0.5 would be a two-hour, and a 0.1C a 10 hour discharge.

Restrictions

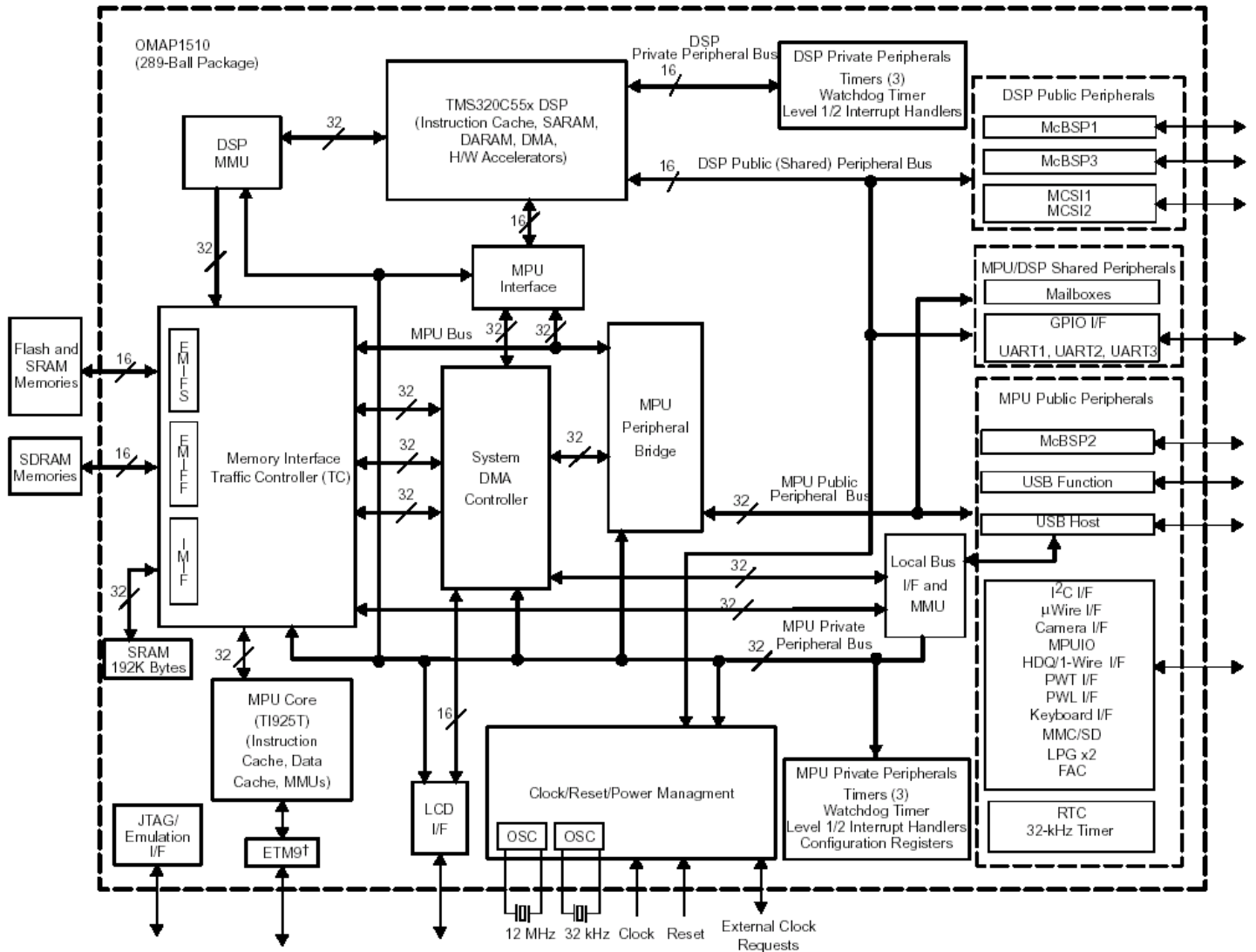
- A battery which has completely run down can not be re-charged quickly because the battery voltage is less than 3.0V and the logic which implements the charge control cannot be operated at this low voltage level. In this case the battery is recharged via trickle-charging. However, the charging symbol cannot be shown in the display because at this time logic supply voltages are not operating. The charging time for this trickle-charging (until the battery can be fast-charged from then on) is in the range of 1 hour. If, within this time, the battery voltage exceeds 3.2V, then the **POWER SUPPLY ASIC** switches on the mobile and charging continues in the Charge-Only Mode. In some circumstances it can happen that after trickle-charging and the usually initiated switch-on procedure of the mobile, the supply voltage collapses so much that the mobile phone switches off again. In this case trickle charging starts again with a now raised threshold voltage of 3.75V instead of 3.2V, at maximum for 20 minutes. The **POWER SUPPLY ASIC** will retry switching on the phone up to 3 times (within 60 minutes overall).
 - Charging the battery will not be fully supported in case of using old accessory (generation '45' or earlier). It is not recommended to use any cables that adapt "old" to "new" Lumberg connector. Using such adapters with Marlin will have at least the following impact:
 - 1) half-sine wave chargers (e.g. P35 & home station) can not be used for trickle charging
 - 2) normal charging might be aborted before the battery is fully charged
 - 3) EMC compliance can not be guaranteed
 - A phone with a fully charged Lilon battery will not be charged immediately after switch-on. Any input current would cause an increase of the battery voltage above the maximum permissible value. As soon as the battery has been discharged to a level of about 95% (due to current consumption while use), it will be re-charged in normal charging mode.
 - The phone cannot be operated without a battery.
 - The phone will be destroyed if the battery is inserted with reversed polarity:
 - ⇒ design-wise it is impossible to wrongly pole the phone. This is prevented by mechanical means.
 - ⇒ electrically, a correctly poled battery is presumed, i.e. correct polarity must be guaranteed by suitable QA measures at the supplier
 - The mobile phone might be destroyed by connecting an unsuitable charger:
 - ⇒ a charger voltage >15V can destroy resistances or capacitors
 - ⇒ a charger voltage >20V can destroy the switch transistor of the charging circuit
- In case the transistor fails the ASIC will be destroyed. In the case of voltages lower than 15V and an improper current limitation the battery might be permanently damaged. A protection against grossly negligent use by the customer (e.g. direct connection of the charge contact to the electricity supply in a motor car) is not provided. Customer safety will not be affected by this restriction.

V 1.1	Page 36 of 63	ICM MP CCQ GRM T
SX1	Company Confidential Copyright 2003© Siemens AG	11/03

5.5 Application system

5.5.1 Application processor

OMAP 310



†ETM9 pins are shared with the Camera Interface.

5.5.2 SDRAM

16 MByte Low Power SDRAM.

5.5.3 Flash

16+16 MByte Strata flash or Tyax, Combo chip.

The Flash-Matrix below shows the differences between the two possible Flashes.
Please do the changes according to the matrix

Component Matrix D4001		
Name of Component	Small Flash "Tyax"	Big Flash "Strata"
R4003	Mount V24842-C-X = 0 Ω	Not mounted
R4005	Mount V24842-C-X = 0 Ω	Not mounted
R4008	Mount V24842-C-X = 0 Ω	Not mounted
R4009	Remove	Mounted V24842-C-X = 0 Ω
R4010	Mount V24842-C-X = 0 Ω	Not mounted
R4011	Remove	Mounted V24842-C-X = 0 Ω

Display Interface

Signal Name	Output	Input	Function
_A_LCD_RESET	OMAP	Display	Reset for the Display
A_LCD_HSYNC	OMAP	Display	Horizontal Synchronization
A_LCD_VSYNC	OMAP	Display	Vertical Synchronization
A_LCD_MCK	OMAP	Buffer/Driver	16 bit parallel data synchronous clock
A_LCD_MCK_	Buffer/Driver	Display	16 bit parallel data synchronous clock
A_LCD_AC	OMAP	Display	16 bit parallel data synchronous clock enable line
A_LCD_PIXEL_[15:0]	OMAP	Display	16 bit parallel data
A_LCD_SSC_SDO	OMAP	Driver/Buffer	Serial synchronous output data line
A_LCD_SSC_SD	Display	OMAP	Serial synchronous input data line
A_LCD_SSC_CLK	OMAP	Display	Serial Synchronous Write Clock
_A_LCD_SSC_CS	OMAP	Display	Display chip select
_A_LSD_SSC_A0	OMAP	Display	Display Status Read
_A_LCD_SSC_RD	OMAP	Display	Serial Synchronous Read Clock

OMAP - Keyboard signals

Signal Name	Output	Input	Function
A_KB0	Keyboard	OMAP	Row in keyboard matrix
A_KB1	Keyboard	OMAP	Row in keyboard matrix
A_KB2	Keyboard	OMAP	Row in keyboard matrix
A_KB3	Keyboard	OMAP	Row in keyboard matrix
A_KB4	Keyboard	OMAP	Row in keyboard matrix
A_KB5	OMAP	Keyboard	Column in keyboard matrix
A_KB6	OMAP	Keyboard	Column in keyboard matrix
A_KB7	OMAP	Keyboard	Column in keyboard matrix
A_KB8	OMAP	Keyboard	Column in keyboard matrix
A_KB9	OMAP	Keyboard	Column in keyboard matrix
A_KB10	OMAP	Keyboard	Column in keyboard matrix
KB_ON	Keyboard	Salzburg	Signal to turn on the phone

Camera Interface

Signal Name	Output	Input	Bi-directional	Function
A_CAMERA_ON	OMAP	Regulator		Enable Line for 2.8V to camera
A_CAMERA_RESET	OMAP	Camera		Reset for camera
A_CAMERA_HSYNC	OMAP	Camera		Horizontal Synchronization
A_CAMERA_VSYNC	OMAP	Camera		Vertical Synchronization
A_CAMERA_EXCLK	OMAP	Camera		12 MHz clock for the camera
A_CAMERA_DATA_CLK	Camera	OMAP		8 bit parallel data synchronous clock
A_CAMERA_DATA [0:7]	Camera	OMAP		8 bit parallel data
A_CAMERA_I2C_CLK			OMAP/Camera	I2C clock for the camera
A_CAMERA_I2C_DATA			OMAP/Camera	I2C data for the camera

Memory Interface

Signal Name	Output	Input	Bi-directional	Function
A_FLASH_A (1:23)	OMAP	FLASH		Flash Address lines
A_WE_FLASH	OMAP	FLASH		FlashCommand line
_A_RP_FLASH	OMAP	FLASH		Flash reset/power down
_A_OE_FLASH	OMAP	FLASH		FlashCommand line
A_FLASH_D (0:15)			YES	Flash Datalines
A_CS2_FLASH	OMAP	FLASH		Flash 2 Chip select
A_CS1_FLASH	OMAP	FLASH		Flash 1 Chip select
A_SDRAM_A (0:11)	OMAP	RAM		RAM Addresslines
_A_WE_SDRAM	OMAP	RAM		RAM Command line
A_BA0_SDRAM	OMAP	RAM		RAM Bank select, and Mode control
A_BA1_SDRAM	OMAP	RAM		RAM Bank select, and Mode control
A_LOWER_BYTE_SDRAM	OMAP	RAM		RAM Lower byte disable
A_UPPER_BYTE_SDRAM	OMAP	RAM		RAM Upper byte disable
A_CKE_SDRAM	OMAP	RAM		RAM Clock enable
A_RAS_SDRAM	OMAP	RAM		RAM Command line
_A_CAS_SDRAM	OMAP	RAM		RAM Command line
A_CLK_SDDAM	OMAP	RAM		RAM System clock input
A_SDRAM_D (0:15)			YES	RAM Data lines.

IrDA Interface

Signal Name	Output	Input	Function
_A_RX_IR	IrDa	OMAP	RX-output
A_TX_IR	OMAP	IrDA	Logic high turns the LED on
A_IrDA_OFF	OMAP	IrDA	The LED is off, when this pin is set high

UART Inter- processors communication HW interface

Signal Name	Output	Input	Function
A_IPC_TX	OMAP	E-GOLD	Transmit data signal from OMAP to E-GOLD
M_IPC_Tx	E-GOLD	OMAP	Transmit data signal from from E-GOLD to OMAP
A_IPC_RTS	OMAP	E-GOLD	Request to send signal from OMAP to E-GOLD
M_IPC_RTS	E-GOLD	OMAP	Request to send signal from E-GOLD to OMAP

OMAP- E-Gold Interface

Signal Name	Output	Input	Function
M_BOOT_HOLD	E-GOLD	OMAP	Control signal from E-GOLD to OMAP which halts the application processor boot process

USB Interface

Signal Name	Output	Input	Bi-directional	Function
A_USB_DPLUS	OMAP	IO Connector	Yes	
A_USB_DMINUS	OMAP	IO Connector	Yes	

BT Interface

Signal Name	Output	Input	Function
A_UART_BT_RX	BlueMoon Single	OMAP	Bluetooth UART data output
A_UART_BT_TX	BlueMoon Single	OMAP	Bluetooth UART data input
BT_WAKEUP_GSM	BlueMoon Single	OMAP	Wakeup signal to OMAP
BT_SLEEP	BlueMoon Single	OMAP	Sleep signal for Sofia and for VCXO supply
GSM_WAKEUP_BT	BlueMoon Single	OMAP	Bluetooth wake up signal from low power mode

MMC Interface

Signal Name	Output	Input	Bi-directional	Function
A_CMD_MMC			Yes	
A_CLK_MMC	OMAP	MMC	No	
A_DAT0_MMC			Yes	
A_DAT1_SD			Yes	
A_DAT2_SD			Yes	
A_DAT3_SD			Yes	

Audio Interface

Signal Name	Output	Input	Bi-directional	Function
A_I2S_CLK	McBSP1	Salzburg	No	I2S
A_I2S_DATA	McBSP1	Salzburg	No	I2S
A_I2C_LRCH	McBSP1	Salzburg	No	I2S
A_MASTER_CLK	SG-310	OMAP	No	Master clock
OSC_EN	OMAP	SG-310	No	Oscillator enable signal

FM-Radio Interface

Signal Name	Output	Input	Bi-directional	Function
A_I2C_FM_CLK				
A_I2C_FM_DATA				
A_FM_STANDBY				
A_FM_TUNING				

System Connector

Signal Name	Output	Input	Bi-directional	Function
A_SWITCH_USB	OMAP	Switch		
A_SWITCH_TX3	OMAP	Switch		
A_SWITCH_RX3	OMAP	Switch		
SC_TX	OMAP	System Connector		
SC_RX	System Connector	OMAP		

5.6 Power Supply ASIC Sofia

The power supply ASIC contains the following functions:

- Powerdown-Mode
- Sleep Mode
- DCDC CORE converter
- Memory LDO
- RAM LDO
- MMC LDO
- RTC LDO
- BT LDO
- AUX LDO
- USB LDO
- DCDC MMI
- VIBRA LDO
- TW

5.6.1 Pinout diagram

	1	2	3	4	5	6	7	8
A	LX_DC_COR	TWI_DATA	VSS_PWM_COR	OD_PWMR	VDD_MMI	LX_DC_MMI	VSS_DC_MMI	VLDO_RAM
B	LX_DC_COR	INT	VDD_DCDC	FB_DC_COR	PWMR	FB_DC_MMI	PWMG	VDD_RAM
C	VDD_DC_COR	VDD_D	AVSS	AVSS	AVSS	AVSS	PWMB	VDD_VIBRA
D	VDD_DC_COR	TWI_CLK	AVSS	AVSS	AVSS	AVSS	VLDO_RTC	VLDO_VIBRA
E	POWER_ON_IN	ON_OFF_N	AVSS	AVSS	AVSS	AVSS	RREF	CREF
F	ON_OFF_OUT	SLEEP_BT_N	AVSS	AVSS	AVSS	AVSS	BUF_IN	VDD_A
G	SLEEP_OUT_N	RESET1V8_N	RESET2V9_N	USB_DET	SLEEP1_N	ON_OFF2	BUF_OUT	VLDO_AUX
H	USB_HS	VLDO_USB	VDD_U_MC	VLDO_MMC	VLDO_BT	VDD_MEM	VLDO_MEM	VDD_B_AU

5.6.2 Power Supply Operating mode:

- Power Down Mode

In power down mode only the ON_OFF_N, ON_OFF2 and POWER_ON_IN pins are monitored.

- Sleep Mode

Sleep mode reduces the performance of the device. Some of the regulators are switched in low output current mode. BT_LDO goes to sleep mode with SLEEP_BT_N, DCDC_CORE, MEM_LDO, MMC_LDO and AUX_LOD are controlled by the signal SLEEP1_N.
mode.

5.6.3 Regulator

5.6.3.1 DCDC CORE converter

This converter is used to supply an external Controller. It is always active if Sofia is in "on" state. The regulator is built with a PMOS switch to charge the coil. To discharge the coil, an external schottky diode is used. If the DCDC converter is disabled, the output is pulled down by a transistor to define the output voltage. The output voltage is programmed by the TWI interface. To limit the current load for the battery and to protect the inductor, a current limitation is added. In Sleep mode the current limitation is used with reduced current consumption and therefore with reduced performance. Output voltage is 1,5V.

5.6.3.2 Memory LDO

This LDO is used to supply the external memory. Output voltage is 1,8V.

5.6.3.3 RAM LDO

This LDO is used to supply the SDRAM. Output voltage is 1,8V.

5.6.3.4 MMC LDO

The MMC LDO can be set to sleep mode (pin SLEE1_P). Output voltage is 3V.

5.6.3.5 BT LDO

This LDO is used to supply the Blue tooth chip. Output voltage is 2,65V.

5.6.3.6 AUX LDO

This LDO is used to supply the FLASH. Output voltage is 2,85V.

5.6.3.7 USB LDO

The USB LDO supplies the analog part for the USB. Output voltage is 3,1V.

5.6.3.8 DCDC MMI

The DCDC MMI is used to supply the MMI LEDs. This regulator is built with a NMOS switch to charge the coil. To transfer the energy to the output an external schottky diode is used. Output voltage is 20V.

5.6.3.9 Vibra LDO

This LDO is used to supply OMAP I/O, flash I/O, display, audio oscillator, keyboard. pull-up. Output voltage is 2,85V.

To guarantee a correct start up, the LDOs and DCDC converter are supervised by a voltage comparator.

V 1.1	Page 44 of 63	ICM MP CCQ GRM T
SX1	Company Confidential Copyright 2003© Siemens AG	11/03

Supplies from MMI PCB

Signal Name	Output	Function	Default after power-on
BATT_DCDC_SOFIA	BtoB	Supply for Sofia DCDC conv.	BATT+
SOF_VDD_CORE	Sofia	OMAP core supply	on, 1.50 V
SOF_VDD_IO	Sofia	OMAP I/O, flash I/O, display, audio osc., keyb. pull-up.	on, 2.85 V
SOF_VDD_SDRAM	Sofia	SDRAM core	on, 2.50 V
SOF_VDD_FLASH	Sofia	Flash core	on, 2.85 V
SOF_VDD_USB	Sofia	OMAP USB client	off, 3.10 V
SOF_VDD_MMC	Sofia	MMC/SD card	off, 3.00 V
SOF_VDD_BT	Sofia	BT	off, 2.65 V
SOF_VDD_MEM	Sofia	Display logic, SDRAM I/F	on, 1.80 V
SOF_VDD_MMI	Sofia	Display and keypad backlight	off, 15 V

Sofia Signal Interface

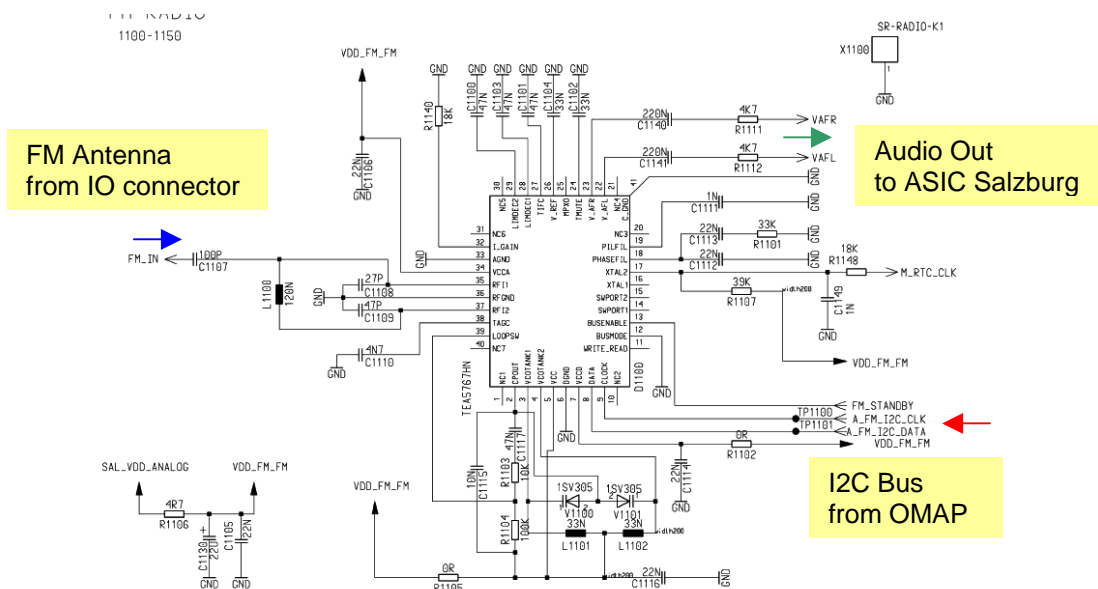
Signal Name	Output	Input	Function
A_SLEEP	OMAP	Sofia	OMAP sleep signal.
SOF_PWM_KEY	Keypad	Sofia	PWM of keyboard backlight
SOF_PWM_DISPLAY	Display	Sofia	PWM of display backlight

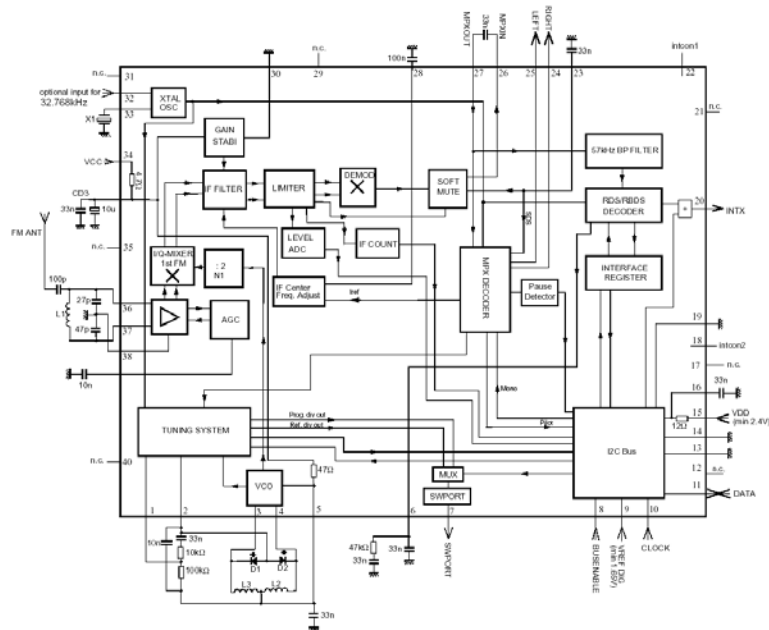
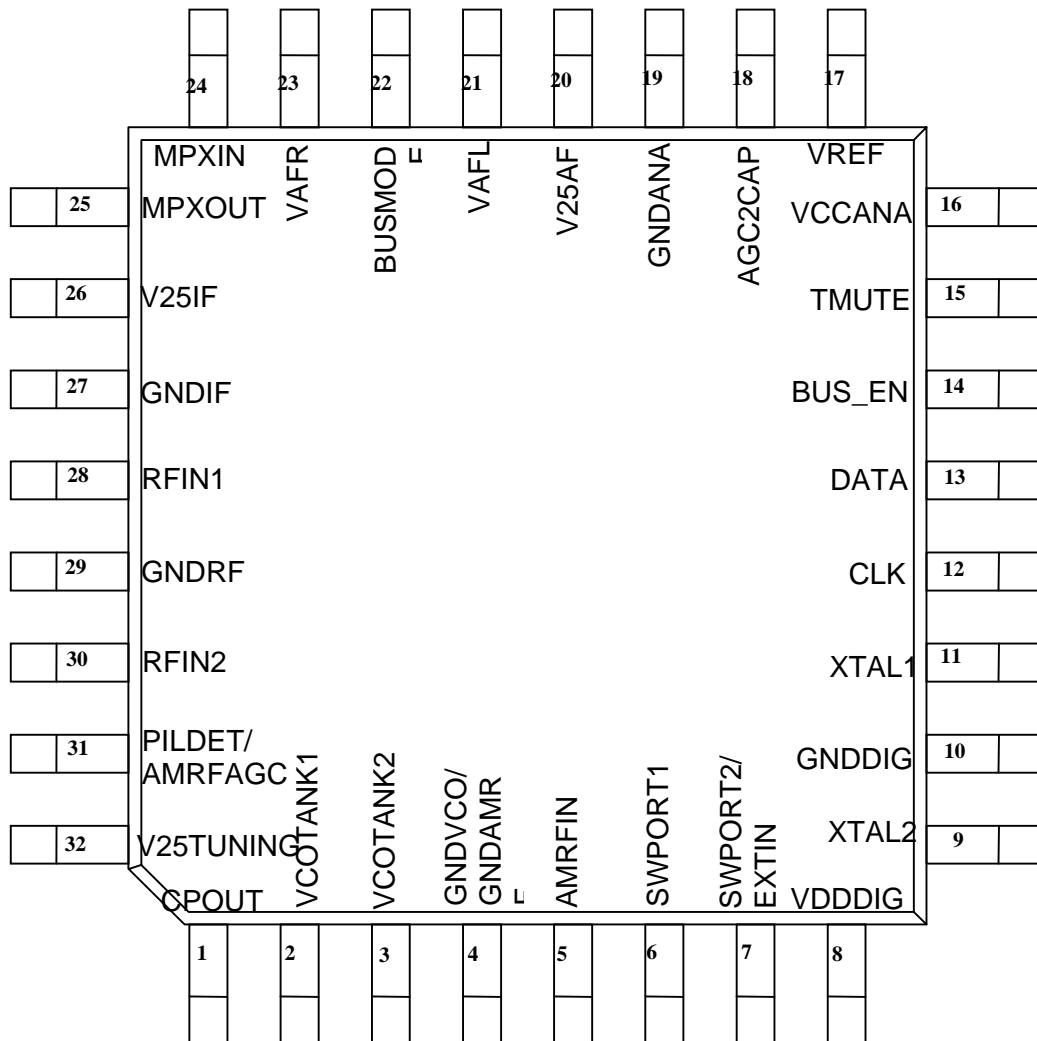
6 FM Radio

The FM radio in SX1 is based on the Philips chip. The tuning range of the FM Radio is either the Japanese (76,0 – 91,0 MHz) or the EU/US (87,5 – 108,0 MHz) FM bands. The FM Radio is programmed by the OMAP over the I2C bus. The FM Radio shares the I2C bus with the camera. The Headset is used as antenna.

The FM circuit incorporates a wideband input. The LNA input impedance together with the LC RF input circuit defines a low Q FM bandpass filter. The input filter is also used for impedance matching between the source impedance and the 300 Ω LNA input impedance. FM quadrature mixers, in an orthogonal I/Q architecture, convert FM RF signals to the internal, 133 or 150 kHz, IF. The mixer architecture provides inherent image rejection. For choosing the best signal conditions w.r.t. the influence of image signals, High-side or Low-side injection can be selected. The two-pin, varactor tuned LC, symmetrical voltage controlled oscillator (VCO), provides the oscillator signals for the FM quadrature mixers. The VCO operates at double RF frequency. The voltage controlled oscillator has an internal AGC control circuit in order to guarantee good start-up behaviour and C/N ratio even with low Q coils (Q>30). Hi-Side injection or Low-Side injection of the VCO can be chosen. The FM signal path incorporates an I and Q orthogonal FM channel with fully integrated polyphase IF filter. All FM-IF filtering is done inside the IC, so no external filter components are required. FM demodulator The FM demodulator is fully integrated and needs no external components. The lowpass filtered signal drives the soft mute attenuator at low RF input signals. The soft mute function can also be switched off via bus.

The PLL stereo decoder is alignment free and incorporates a fully integrated PLL loopfilter. The stereo decoder can be switched to forced Mono via bus. Signal strength depending Mono/Stereo blend (SDS) With decreasing RF input level the MPX decoder blends from Stereo to Mono to limit the output noise. The control signal is obtained from the lowpass filtered level information. This blend function, called SDS, can also be switched off via bus, and a RF level depending sudden change from Stereo to Mono transition will result. A pilot detector, with external filter capacitor, is used to detect the presence of a stereo signal. Mono or Stereo reception can be read via bus or, can also be passed to a specific bus line. For this the DBUS bit has to be programmed. In this case no bus action is required (silent read-out) to read the status of the Pilot detector, and the information is continuously available at the specific bus line.





7 Interfaces

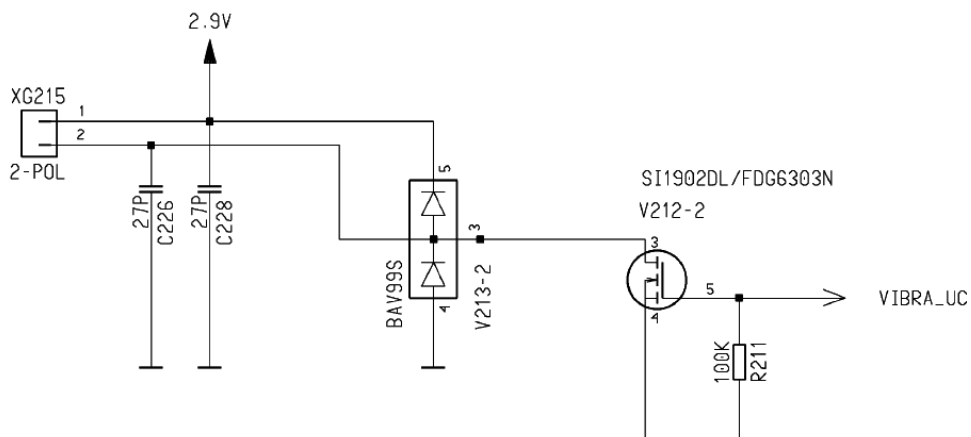
7.1 Board to Board connector

Pin	Signal Name	Output	Input	Bi-directional	Function
1	GND	Battery	-		Gnd connection
2	A_KB10	OMAP	Keyboard		Keyboard
3	A_KB9	OMAP	Keyboard		Keyboard
4	A_KB7	OMAP	Keyboard		Keyboard
5	A_KB6	OMAP	Keyboard		Keyboard
6	A_KB4	Keyboard	OMAP		Keyboard
7	A_KB3	Keyboard	OMAP		Keyboard
8	A_CAMERA_EXCLK	OMAP	CAMERA		12 MHz CLOCK FOR CAMERA
9	A_CAMERA_DATA7	CAMERA	OMAP		Parallel data
10	A_CAMERA_DATA6	CAMERA	OMAP		Parallel data
11	A_CAMERA_DATA4	CAMERA	OMAP		Parallel data
12	A_CAMERA_DATA3	CAMERA	OMAP		Parallel data
13	A_CAMERA_VSYNC	CAMERA	OMAP		Vertical Synchronization
14	A_CAMERA_DATA0	CAMERA	OMAP		Parallel data
15	A_CAMERA_RESET	OMAP	CAMERA		Reset for camera
16	A_UART_BT_TX	OMAP	BT		Bluetooth transmit
17	BT_WAKEUP_GSM	BT	OMAP		Wake-up signal to OMAP
18	GSM_WAKEUP_BT	OMAP	BT		Wake-up signal to Bluetooth
19	BATTERY_ON		OMAP		Battery detector
20	GND	Battery	-		Gnd connection
21	A_IRDA_OFF	OMAP	IrDA		IrDA Enable
22	A_TX_IR	OMAP	IrDA		IrDA TX
23	_A_RX_IR	IrDA	OMAP		IrDA RX
24	A_SCLK	OMAP	EGOLD		IPC SSC interface
25	A_MR	EGOLD	OMAP		IPC SSC interface
26	_A_RESET	OMAP	EGOLD		IPC Power-up Sync.
27	A_MT	OMAP	EGOLD		IPC SSC interface
28	A_FM_STANDBY	OMAP	FM		Enabling of FM
29	A_FM_TUNING	FM	OMAP		FM Tuning
30	GND	Battery	-		Gnd connection
31	M_BOOT_HOLD	EGOLD	OMAP		IPC Power-up Sync

Pin	Signal Name	Output	Input	Bi-directional	Function
32	SC_TX	OMAP/ EGOLD	SYS-IO		Software download
33	SC_RX	SYS-IO	OMAP/ EGOLD		Software download
34	M_RTC_CLK	EGOLD	OMAP		32 KHz clock
35	VDD_CAMERA	Ext. LDO	Camera		Supply for camera
36	BATT+	Battery	Salzburg /Sofia		Battery supply for Sofia
37	BATT+	Battery	Salzburg /Sofia		Battery supply for Sofia
38	BATT_DCDC_SOFIA	Battery			Supply for Sofia DCDC
39	BATT_DCDC_SOFIA	Battery			Supply for Sofia DCDC
40	SOF_VDD_MMI	Sofia	Backlight		Supply for key
41	SOF_PWM_KEY	Sofia	Backlight		Backlight PWM control
42	GND	Battery	-		Gnd connection
43	SOF_VDD_BT	Sofia	Bluetooth		Supply for BT
44	SOF_VDD_MMC	Sofia	MMC/SD		Supply for MMC/SD card
45	A_DAT3_SD			Yes	MMC/SD Data
46	A_DAT2_SD			Yes	MMC/SD Data
47	A_DAT1_SD			Yes	MMC/SD Data
48	A_CLK_MMC	OMAP	MMC/SD		MMC/SD clock
49	A_DAT0_MMC			Yes	MMC/SD Data
50	A_CMD_MMC			Yes	MMC/SD commands
51	A_UART_BT_RX	BT	OMAP		Bluetooth receive
52					Not in use
53	M_IPC_RTS	EGOLD	OMAP		IPC Handshake 1
54	A_IPC_RTS	OMAP	EGOLD		IPC Handshake 1
55	A_IPC_TX	OMAP	EGOLD		IPC RS232 Serial
56	M_IPC_TX	EGOLD	OMAP		IPC RS232 Serial
57	A_I2S_LRCH	OMAP	Salzburg		Digital audio
58	A_I2S_DATA	OMAP	Salzburg		Digital audio
59	A_I2S_CLK	OMAP	Salzburg		Digital audio
60	SAL_SOF_POWERON	Salzburg	Sofia		Salzburg turn on signal to Sofia
61	BT_SLEEP	BT	Salzburg		Sleep signal for BT supply and VCXO
62					Not in use
63	KB_ON	ON-key	Salzburg		ON key is on MMI PCB
64	A_USB_DMINUS			YES	USB Data
65	A_USB_DPLUS			YES	USB Data

Pin	Signal Name	Output	Input	Bi-directional	Function
66	A_I2C_CLK	OMAP	Camera /FM		OMAP control of Camera and FM radio
67	A_I2C_DATA	OMAP	Camera /FM		OMAP control of Camera and FM radio
68	A_CAMERA_ON	OMAP	CAMERA		Enable Line for 2.8 to Camera
69	A_CAMERA_HSYNC	CAMERA	OMAP		Horizontal Synchronization
70	A_CAMERA_DATA2	CAMERA	OMAP		Parallel data
71	A_CAMERA_DATA1	CAMERA	OMAP		Parallel data
72	A_CAMERA_DATA_CLK	CAMERA	OMAP		8 bit parallel data synchronous clock
73	A_CAMERA_DATA5	CAMERA	OMAP		Parallel data
74	A_KB5	OMAP	Keyboard		Keyboard
75	A_KB8	OMAP	Keyboard		Keyboard
76	A_KB0	Keyboard	OMAP		Keyboard
77	A_KB2	Keyboard	OMAP		Keyboard
78	A_KB1	Keyboard	OMAP		Keyboard
79	SWTP				
80	SWTP				

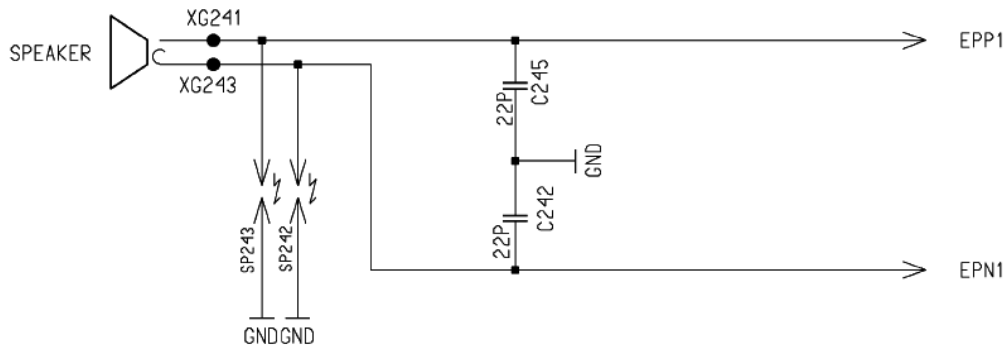
7.2 Vibra



XG215

Pin	IN/OUT	Remarks
1	I	2.9V
2	O	The FET V212 , switching this signal, is controlled via the EGOLD+ signal VIBRA_UC .

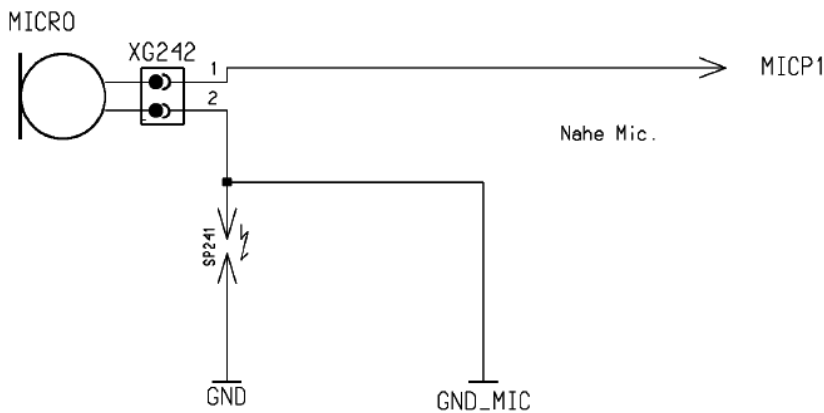
7.3 Earpiece



XG250

Pin	Name	IN/OUT	Remarks
1	EPP1	O	1st connection to the internal earpiece. Earpiece can be switched off in the case of accessory operation. EPP1 builds together with EPN1 the differential output to drive the multifunctional "earpiece" (earpiece, ringer, handsfree function).
2	EPN1	O	2nd connection to the internal earpiece. Earpiece can be switched off in the case of accessory operation.

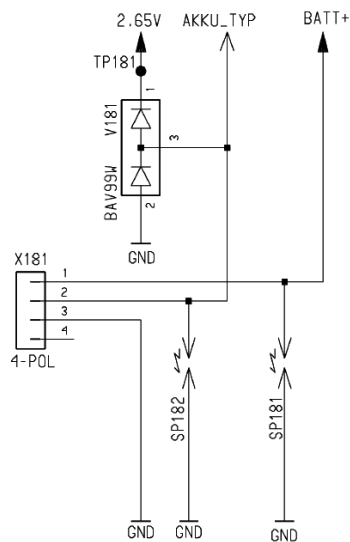
7.4 Microphone



XG242

Pin	Name	IN/OUT	Remarks
1	MICP1	I	Speech signal. The same line carries the microphone power supply.
2	GND_MIC		

7.5 Battery

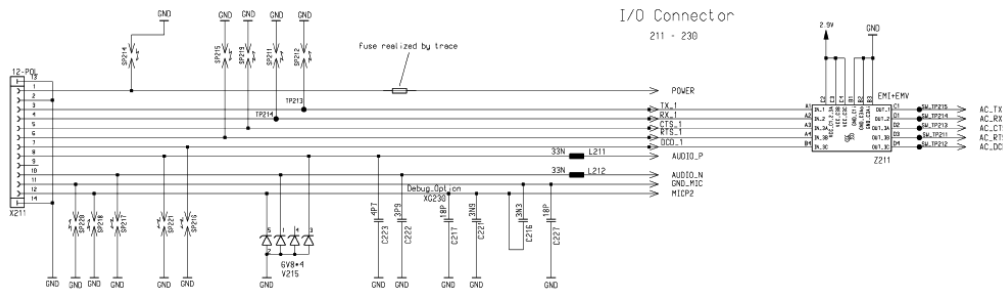


XG181

Pin	Name	Level	Remarks
1	GND		Ground
2	AKKU_TYP	0V...2.65V	Recognition of battery/supplier
3	BATT+	3 V... 4.5V	Positive battery pole
4			

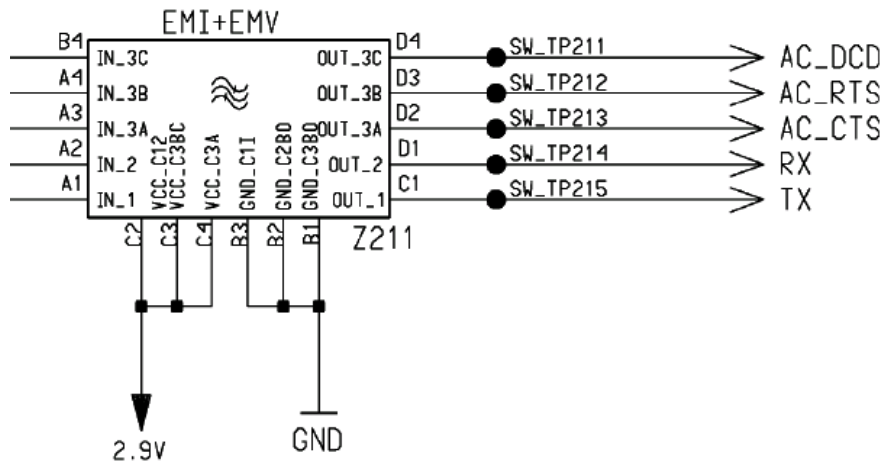
7.6 IO Connector with ESD protection

7.6.1 IO Connector – New Slim Lumberg



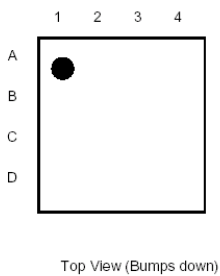
Pin	Name	IN/OUT	Notes
1	POWER	I/O	POWER is needed for charging batteries and for supplying the accessories. If accessories are supplied by mobile, talk-time and standby-time from telephone are reduced. Therefore it has to be respected on an as low as possible power consumption in the accessories.
2	GND		
3	TX	O	Serial interface
4	RX	I	serial interface
5	DATA/CTS	I/O	Data-line for accessory-bus Use as CTS in data operation.
6	RTS	I/O	Use as RTS in data-operation.
7	CLK/DCD	I/O	Clock-line for accessory-bus. Use as DTC in data-operation.
8	AUDIO_L	Analog O	driving ext. left speaker With mono-headset Audio_L and Audio_R differential mode
9			
10	AUDIO_R	Analog O	driving ext. right speaker With mono-headset Audio_L and Audio_R differential Signal
11	GND_MIC	Analog I	for ext. microphone
12	MICP2	Analog I	External microphone

7.6.2 ESD Protection with EMI filter



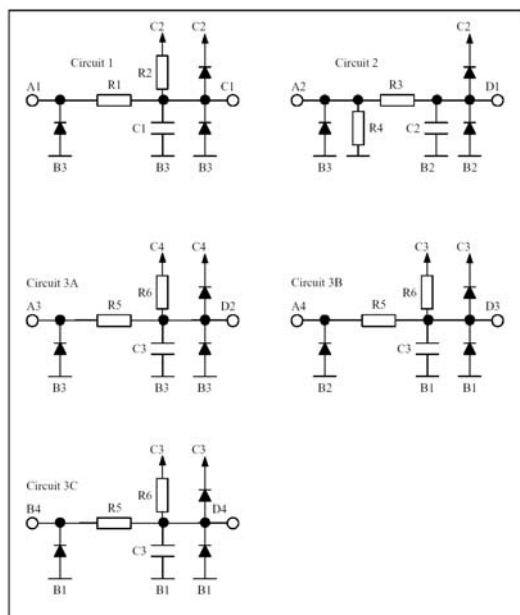
The **Z211** is a 5-channel filter with over-voltage and ESD Protection array which is designed to provide filtering of undesired RF signals in the 800-4000MHz frequency band. Additionally, the **Z211** contains diodes to protect downstream components from Electrostatic Discharge (ESD) voltages up to 8 kV.

Pin configuration of the **Z211**

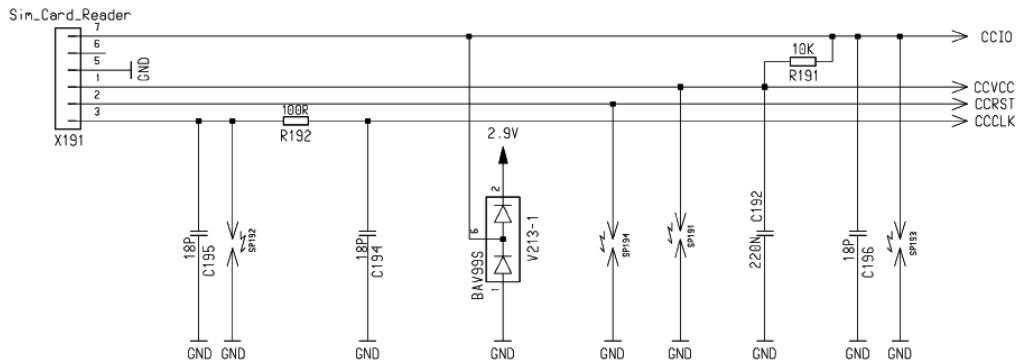


PIN	DESCRIPTION	PIN	DESCRIPTION
A1	Input Circuit 1	C1	Output Circuit 1
A2	Input Circuit 2	C2	Vcc C1/C2
A3	Input Circuit 3A	C3	Vcc C3B/C3C
A4	Input Circuit 3B	C4	Vcc C3A
B1	GND C3Bo/C3Ci/C3Co	D1	Output Circuit 2
B2	GND C2o/C3Bi	D2	Output Circuit 3A
B3	GND C1i/C1o/C2i/C3Ai/C3Ao	D3	Output Circuit 3B
B4	Input Circuit 3C	D4	Output Circuit 3C

Z211 Circuit Configuration

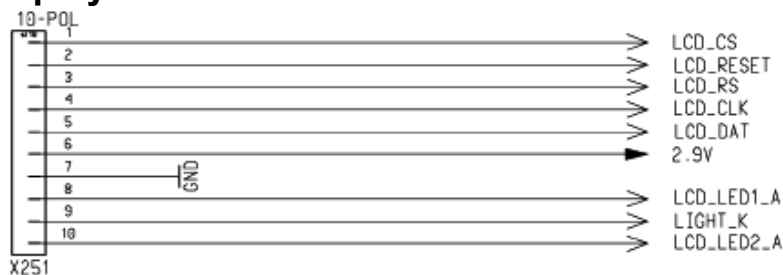


7.7 SIM



Pin	Name	IN/OUT	Remarks
1	CCVCC	-	Switchable power supply for chipcard; 220 nF capacitors are situated close to the chipcard pins and are necessary for buffering current spikes.
2	CCRST	O	Reset for chipcard
3	CCLK	O	Pulse for chipcard. The chipcard is controlled directly from the EGOLD+ .
4			
5	GND		
6			
7	CCIO	I	Data pin for chipcard; 10 kΩ pull up at the CCVCC pin

7.8 Display



Pin	Name	Remarks
1	LCD_CS	Chip select
2	LCD_RESET	Reset
3	LCD_RS	Register select
4	LCD_CLK	Clock
5	LCD_DAT	Data line
6	2.9V	Power supply display controller
7	GND	GND
8	LCD_LED2_A	Power supply display led 2
9	LIGHT_K	Switched GND for display led 1 and led 2
10	LCD_LED1_A	Power supply display led 1

V 1.1	Page 56 of 63	ICM MP CCQ GRM T
SX1	Company Confidential Copyright 2003© Siemens AG	11/03

8 Acoustic

The buzzer and the keypad clicks will be realized over the earpiece. At normal buzzer the signaling will realized with swelling tones. At the same time a maximum sound pressure level in the coupler of 135 +/- 5dB(A) is fixed.

The standard sounds will be generated by the **EGOLD+**, the advanced sounds will be generated via firmware running on the DSP.

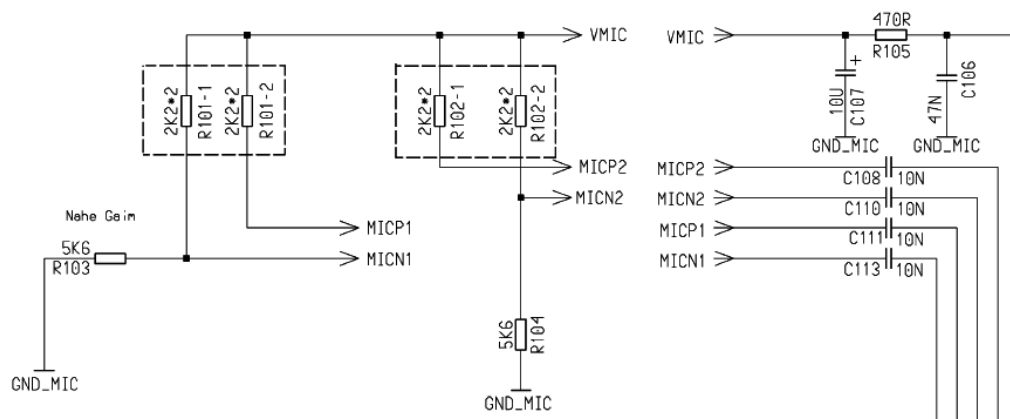
8.1 Microphone

8.1.1 Mechanical

The microphone is built in the Mounting Frame Lower Part and is mechanically fixed with a rubber seal (gasket). The contact on the PCB is realised via spiral springs, which are integrated in the gasket. Because of usage of Unidirectional Microphone, the gasket has a front- and a back sound-inlet hole. The front sound-inlet is acoustically tighten connected with a sound-inlet at the rear-side of the mounting frame lower part. The back sound-inlet is acoustically tighten connected with a sound-inlet at the bottom-side of the mounting frame lower part. The gasket of the microphone has a asymmetrical shape in order to provide non-rotating, guaranteed covering of the sound-inlets of mounting frame lower part to the corresponding sound-inlets at microphone gasket.

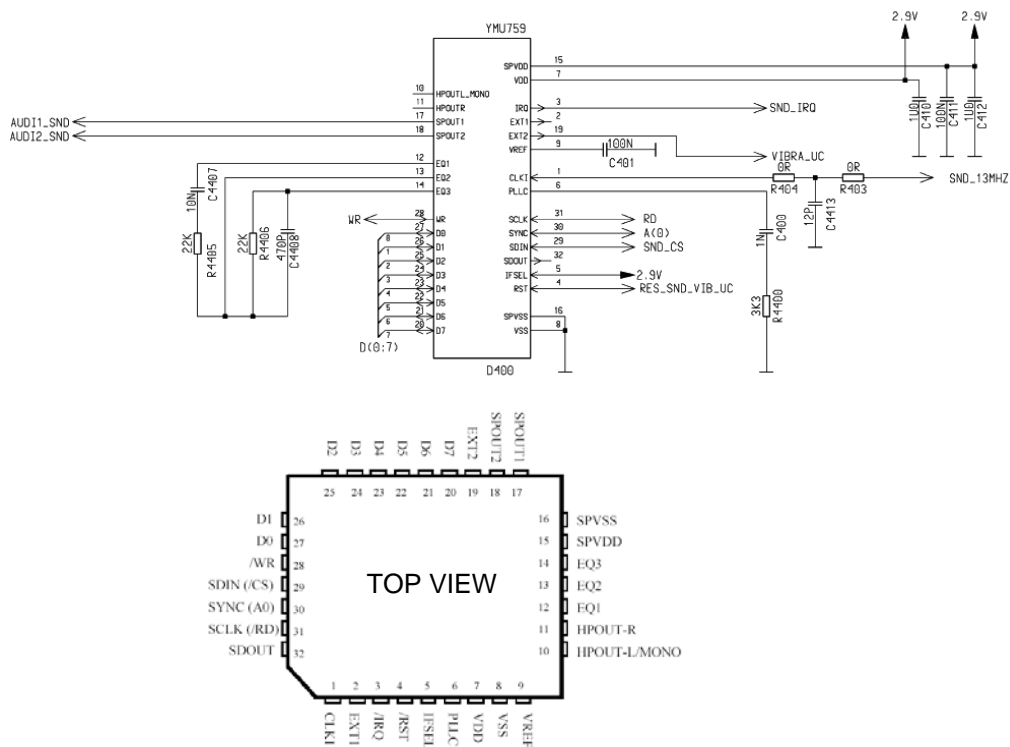
8.1.2 Electrical

Both Microphones are directly connected to the **EGOLD+**.(Analog Interface G2, F1-G3, H2) via the signals **MICN1**, **MICP1** (Internal Microphone)and **MICN2**, **MICP2** (External Microphone/Headset). Power supply for the Microphone is **VMIC** (**EGOLD+**.(Analog Interface G1))

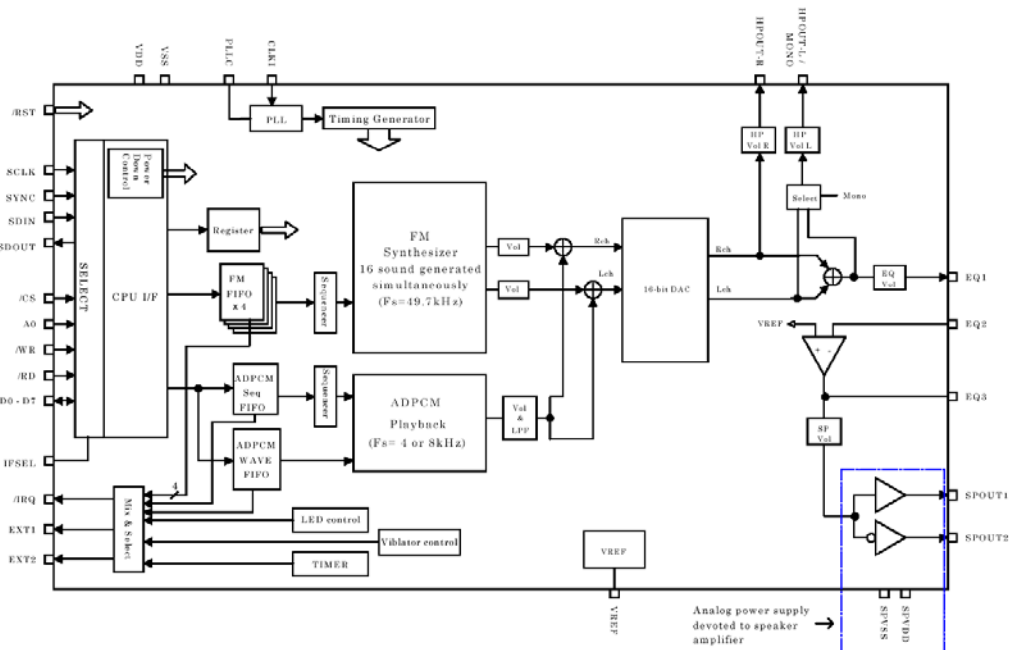


8.2 Soundchip

The **D400** is used for Stereophonic Sound Generation. The internal CPU receives the data from the **EGOLD+** via the address- and data- bus. Via a 16 sound FM synthesizer and DA converter the analogue output signal (AUDI1_SND, AUDI2_SND) goes to the audio amplifier inside the **Power Supply ASIC**. The clock for the D400 (SND_13MHZ/Miscellaneous U6) is made inside the **EGOLD+**, based of the 26MHZ VCO.



Blockdi



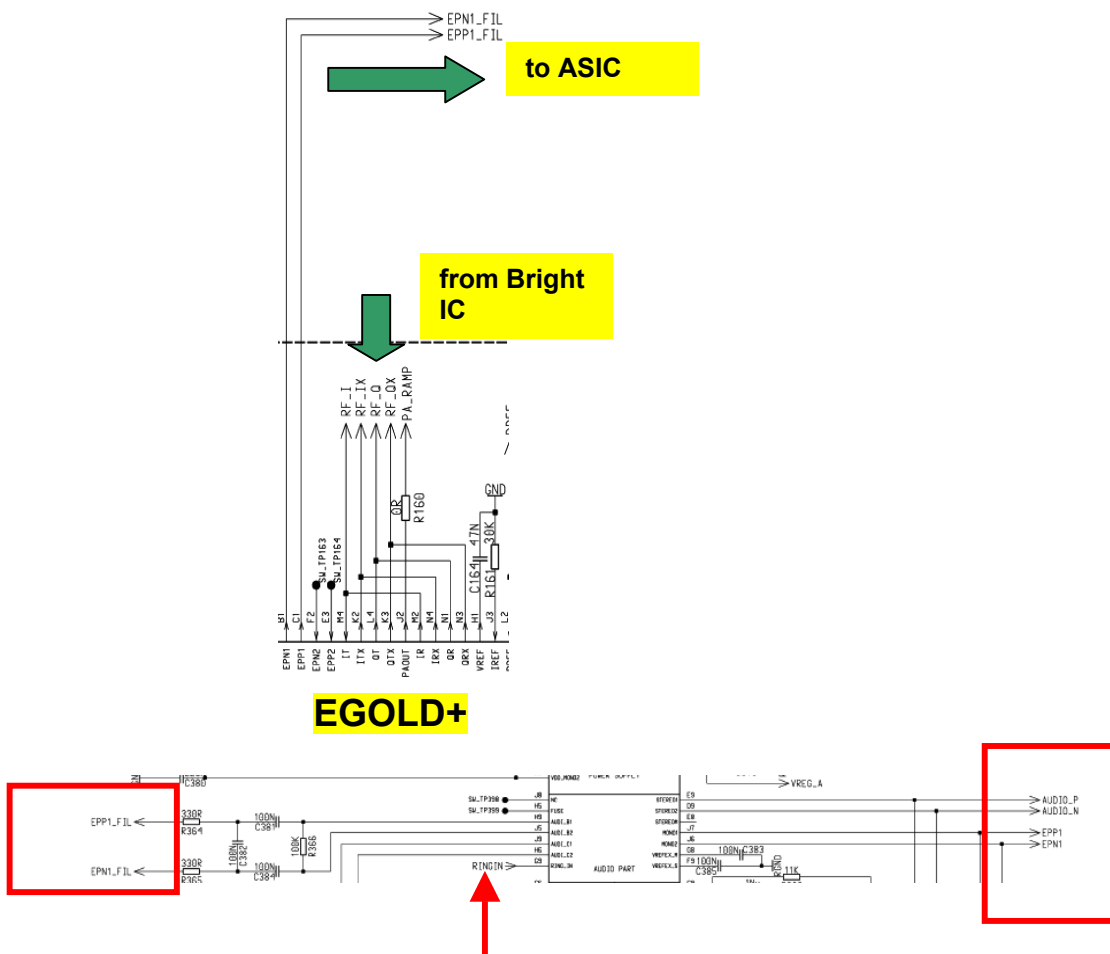
8.3 Earpiece/Loudspeaker

8.3.1 Mechanical

The speakermodule is designed to provide optimal performance for mobile handsfree and sound ringer. Plus independent from mobile leakage sound performance. Therefore speakermodule is a system that has a closed front volume with sound-outlets towards the ear of the user. Backvolume of Speakermodule is using the unused air between the antenna and the PCB. Backvolume is just used for resonance, there is no sound output from backvolume. The speakermodule is glued to the lightguide and contacted via two bending springs to the PCB. The lightguide itself is screwed with six screws via the PCB to the mounting frame lower part. Two of the six screws are located besides of the connection of speakermodule and lightguide. Therefore a good and reliable connection between speakermodule and PCB should be provided.

8.3.2 Electrical

The internal and external Loudspeaker (Earpiece) is connected to the voiceband part of the **EGOLD+** (Analog Interface B1, C1) via audio amplifier inside the ASIC (D2820). Input **EPN1_FIL - EPP1_FIL**. Output for external loudspeaker **AUDIO_L - AUDIO_R**, for internal Loudspeaker **EPP1 - EPN1**. The ringing tones are generated with the loudspeaker too. To activate the ringer, the signal **RINGIN** from the EGOLD+ (Miscellaneous,D16) is used



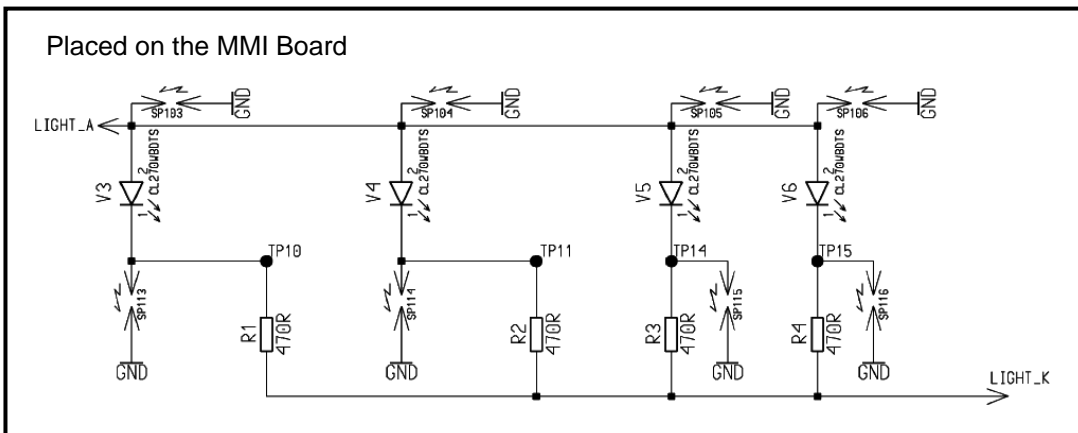
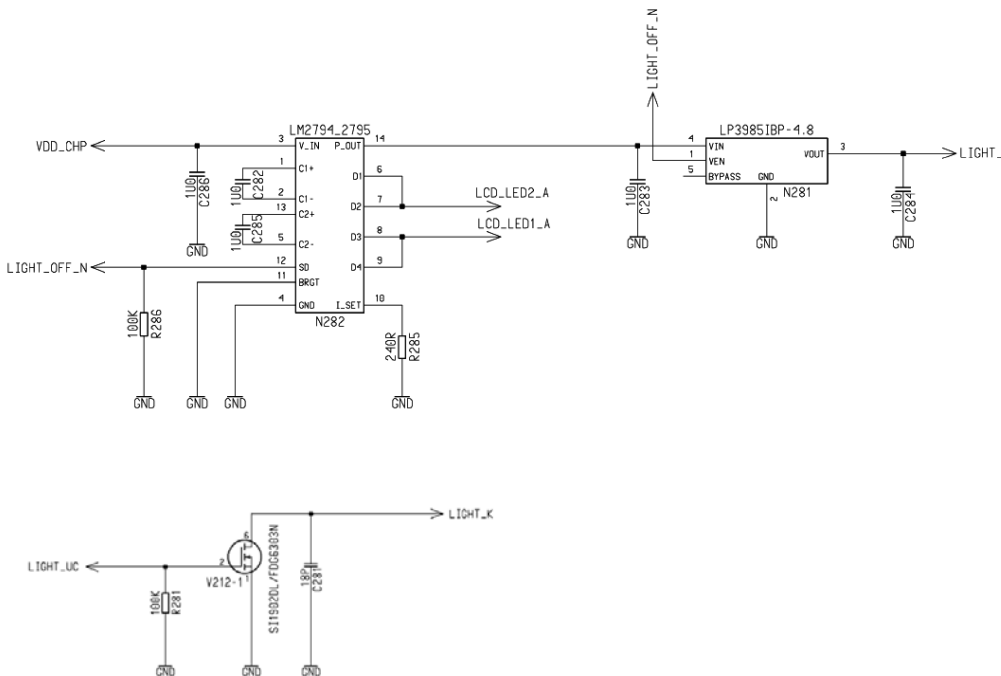
9 Display and Illumination

9.1 Display

The display is provided with 2,9V from the ASIC (D2820). The communication with the EGOLD+ by the LCD-Signals, directly connected to the EGOLD+

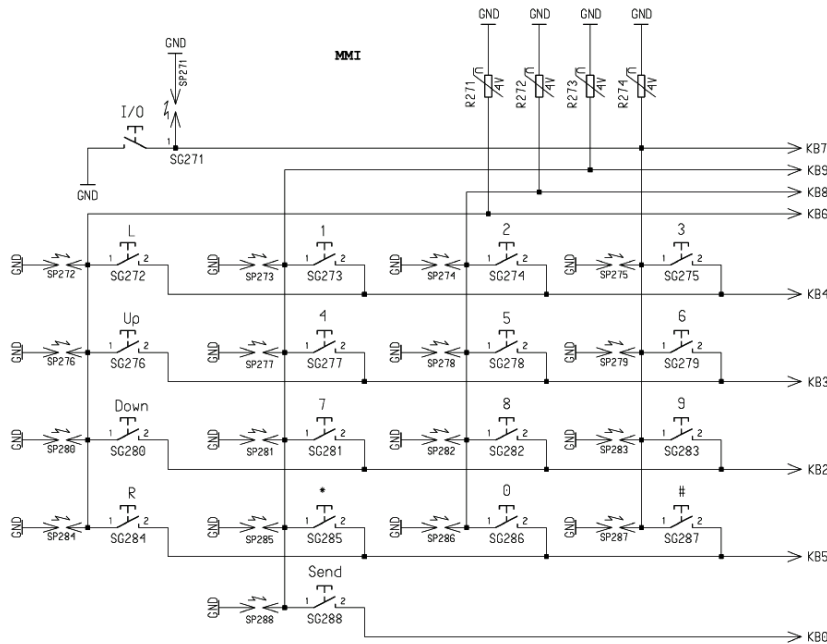
9.2 Illumination

The light is switched via switches inside the EGOLD+. With the signal LIGHT_UC (Miscellaneous T17) the illumination for the keyboard and the display backlight is controlled. With LIGHT_OFF_N. (GSM TDMA-Timer G15) the illumination can be switched "on" and "off" during the TX timeslot.



10 Keyboard

The keyboard is connected via the lines KB0 – KB9 with the **EGOLD+**.
KB 7 is used for the ON/OFF switch. The lines KB0 – KB5 are used as output signals. In the matrix KB6, KB8 and KB9 are used as input signals for the **EGOLD+**.



11 Bluetooth (only S55)

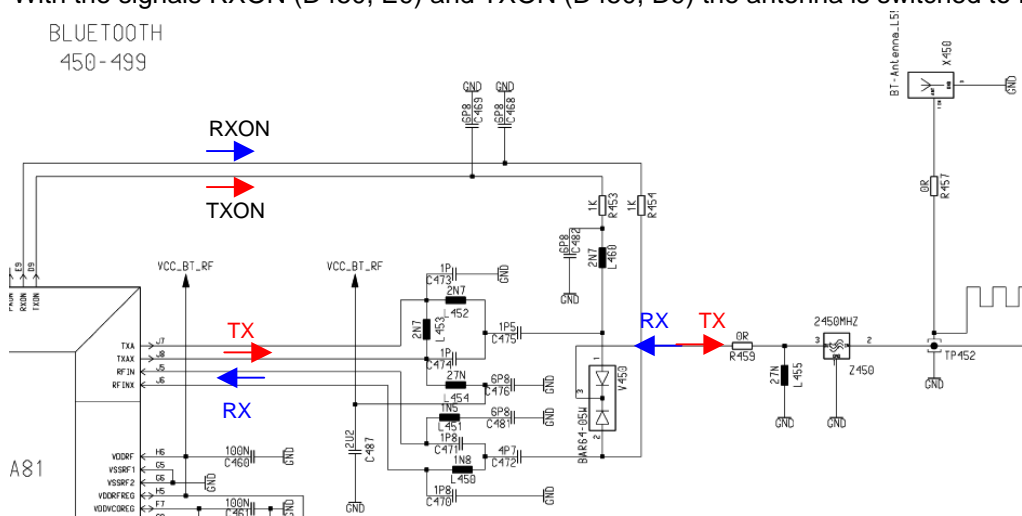
The Bluetooth Interface is compatible to the Bluetooth specification version 1.1 power class 2 (-6 dBm up to +4dBm) with a RX sensitivity better than -70 dBm. It supports a transmission rate up to 723 kBit/s data asymmetrically over the air interface.

The transmission range is approx. 10 m.

It is not possible to use the Bluetooth interface and the IRDA interface at the same time.

The Bluetooth antenna is via a pin diode switch connected with the **D450** (TX=J7, J8 and RX=J5, J6). With the signals RXON (D450, E9) and TXON (D450, D9) the antenna is switched to RX or TX.

BLUETOOTH
450-499

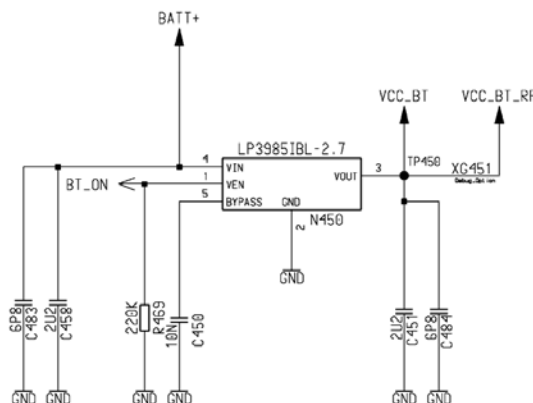


The following interface between E-GOLD+ and the BlueMoon Single Bluetooth IC (IFX) is used:

Name	IN/OUT	Remarks
Power supply		
VCC_BT	IN	Generated with external voltage regulator (LP3985) N450 VIN = BATT+
BT_ON	IN	Enable the voltage regulator
Clocks		
CLK32K	IN	32,768 kHz, (supplied by the EGOLD+)
BT_SIN26M	IN	Supplied by the GSM VCXO
UART		
IR_BT_TX	IN	TX (serial interface multiplexed with IRDA)
IR_BT_RX	OUT	RX (serial interface multiplexed with IRDA)
PCM		
PCMIN	IN	Transmission of voice samples DAI-interface from EGOLD+
PCMOUT	OUT	
PCMCLK	OUT	The 500 kHz clock is generated from BlueMoon Single
PCMFR	IN	The frame signal is generated from EGOLD+
Miscellaneous		
BT_WAKEUP_GSM	OUT	Connected to an interrupt input of EGOLD+, wake up EGOLD+ during Low power mode
BT_WAKEUP_BT	IN	Wake up the BlueMoon Single during Low power Mode
BT_VCXOEN		Connected to the ASIC, switched ON the RF-Regulator for the GSM-VCXO

11.1 Bluetooth Voltage Regulator

The Voltage Regulator N450 generates 2.7 Volt for the Bluetooth Chipset. The EGOLD+ activates the voltage with the signal BT_ON (GSM TDMA-Timer F17).



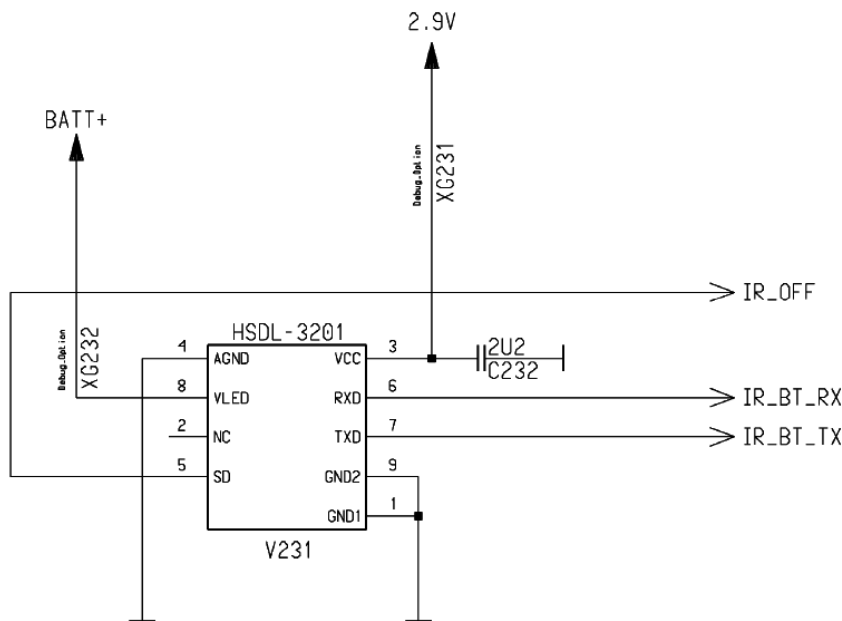
12 IRDA

Low-Power infrared data interface, compatible to "IRDA - Infrared Data Association; Serial Infrared Physical Layer Specification, Version 1.3", supporting transmission rates up to 115.2kbps (Slow IRDA). As a Low-Power-Device, the infrared data interface has a transmission range of at least:

- 20cm to other Low-Power-Devices and
- 30cm to Standard-Devices

The viewing angle is +/-15° (resulting in 30° viewing cone).

It is not possible to use the IRDA interface and the Bluetooth interface at the same time.



Name	IN/OUT	Remarks
IR_OFF	IN	Activate IRDA
IR_BT_TX	IN	TX (serial interface multiplexed with Bluetooth)
IR_BT_RX	OUT	RX (serial interface multiplexed with Bluetooth)