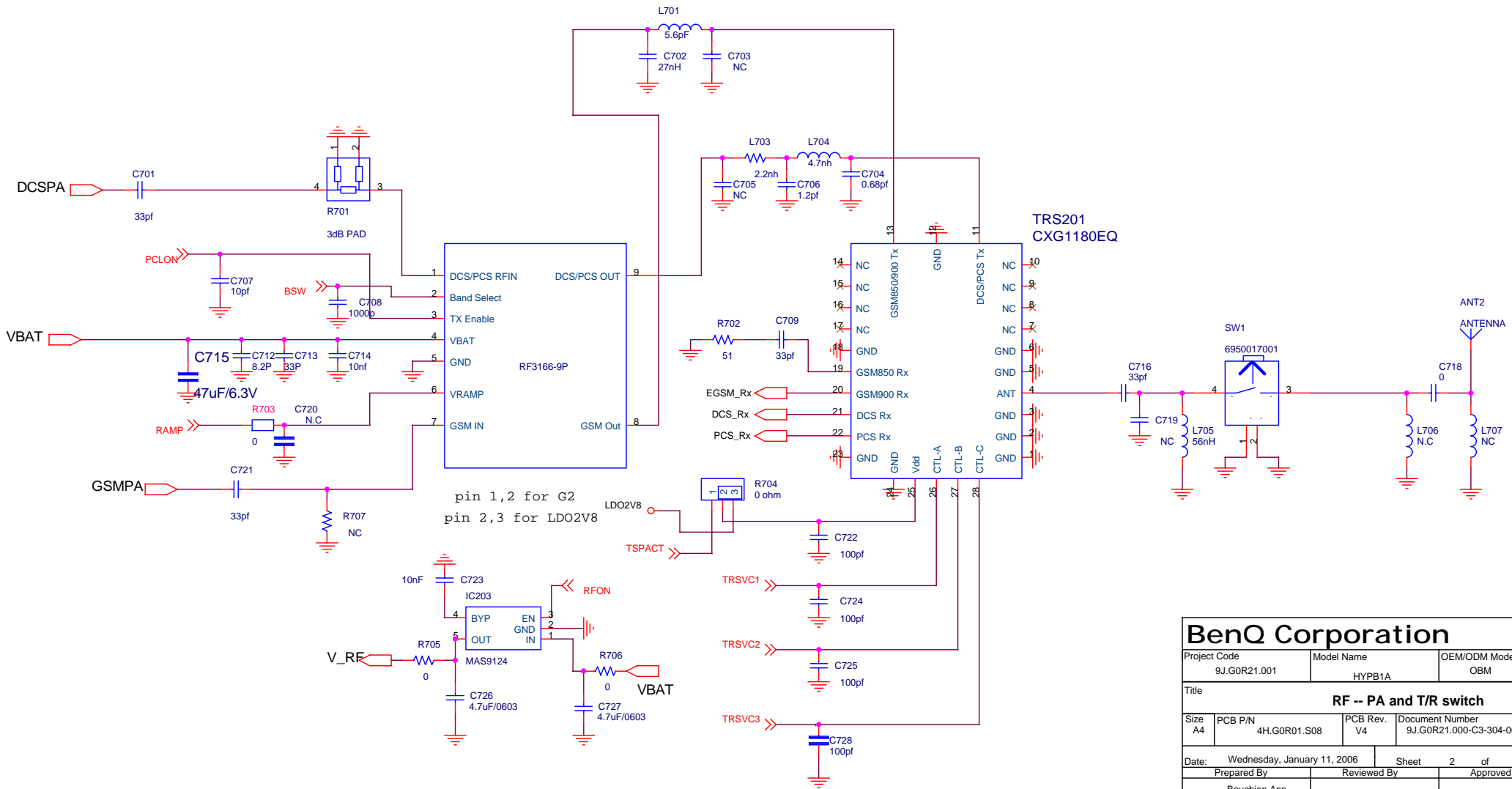


<b>BenQ Corporation</b>				
Project Code 9J.GOR21.001		Model Name HYP81A		OEM/ODM Model Name OBM
Title <b>RF Part</b>				
Size A4	PCB PIN 4H.GOR01.S08	PCB Rev. V4	Document Number 9J.GOR21.000-C3-304-001	Rev. 0
Date Wednesday, January 11, 2006		Sheet 1 of 18		
Prepared By Bauchien Ann		Reviewed By Albert Chen		Approved By Fuji Yang



<b>BenQ Corporation</b>				
Project Code 9J.GOR21.001		Model Name HYPB1A		OEM/ODM Model Name OBM
<b>RF -- PA and T/R switch</b>				
Size A4	PCB P/N 4H.GOR01.S08	PCB Rev. V4	Document Number 9J.GOR21.000-C3-304-001	Rev. 0
Date: Wednesday, January 11, 2006		Sheet 2 of 18		
Prepared By Bauchien Ann		Reviewed By Albert Chen		Approved By Fuji Yang

```

IO0==>nMMPRES
IO1==>OLED_Power
IO2==>MFIMD
IO3==>2SW
IO4==>nMFINT
IO5==>SIM_PCTL
IO6==>PWSTANDBY
IO7==>nRSTOUT
IO8==>STATUS0
IO9==>OLED_CTRL
IO10==>SD_CD
IO11==>bright_crt1
IO12==>bright_crt2
IO13==>nIRQ0
IO14==>nBHE
IO15==>nBLE

SIM_CD==>ACCIN
nCS0==>nROM
nCS1==>nROM
nCS2==>nSRAM
nCS3==>MMP
nCS4==>TP66

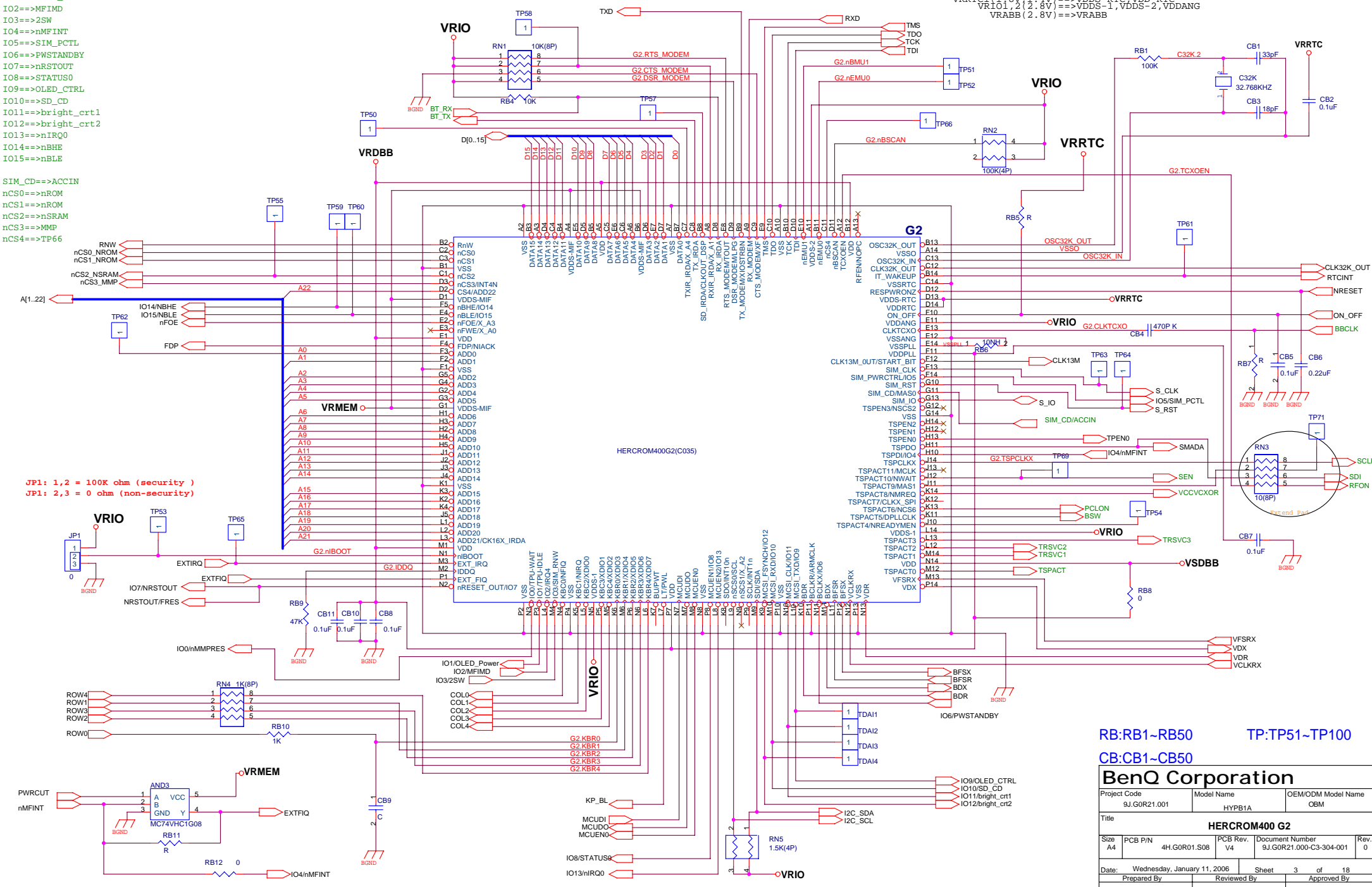
```

```

RNW
nCS0_NROM
nCS1_NROM
nCS2_NSRAM
nCS3_MMP

```

JP1: 1,2 = 100K ohm (security)  
 JP1: 2,3 = 0 ohm (non-security)

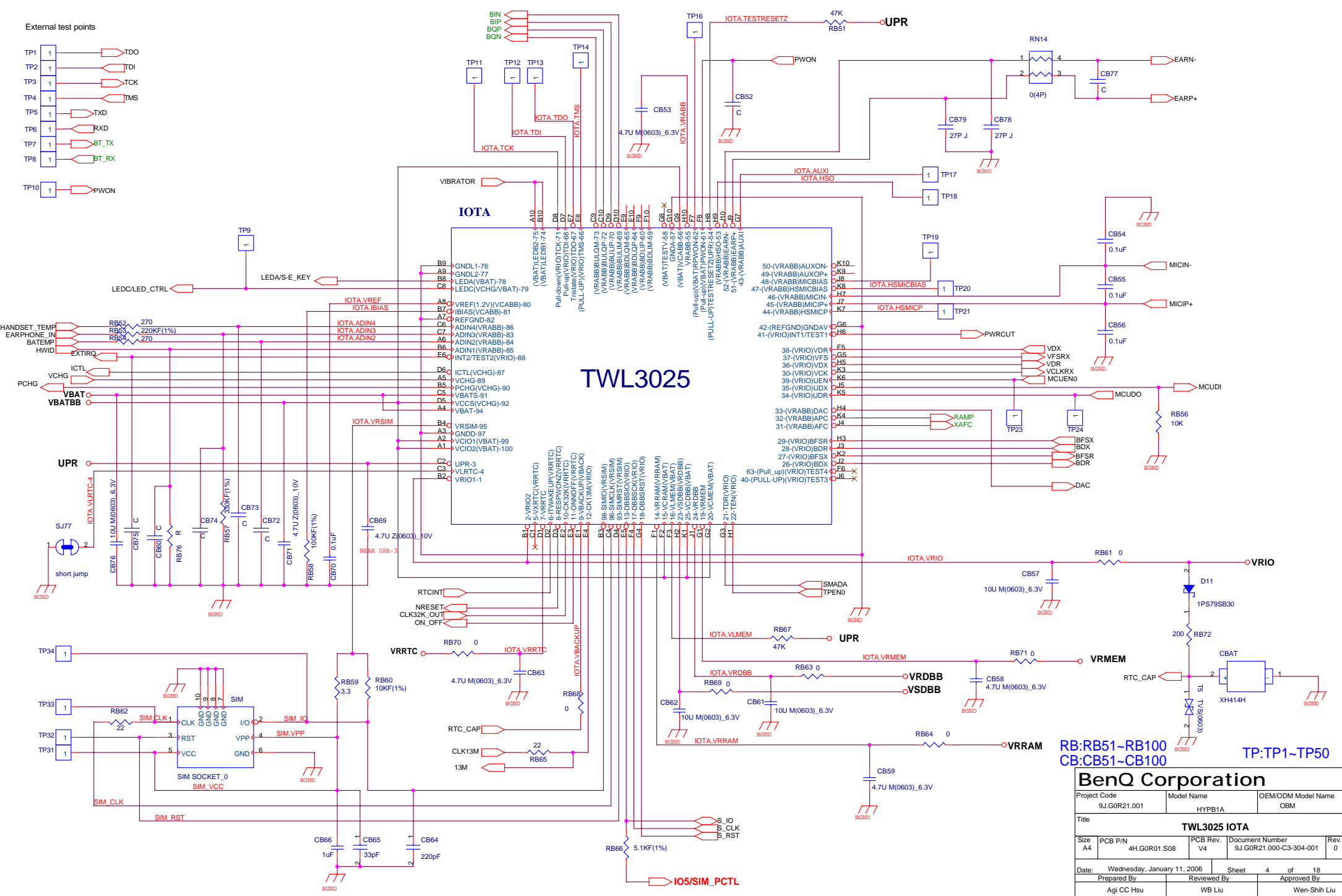
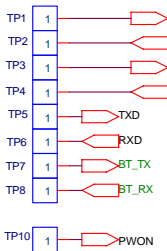


VRRTC1 (1.8V, 1.4V) ==> VDD5-RTC, VDD-RTC  
 VRIO1,2 (2.8V) ==> VDD5-1, VDD5-2, VDDANG  
 VRABB (2.8V) ==> VRABB

RB:RB1~RB50 TP:TP51~TP100  
 CB:CB1~CB50

<b>BenQ Corporation</b>			
Project Code	Model Name	OEM/ODM Model Name	
9J.G0R21.001	HYPB1A	OBM	
<b>HERCROM400 G2</b>			
Size	PCB P/N	PCB Rev.	Document Number
A4	4H.G0R01.S08	V4	9J.G0R21.000-C3-304-001
Rev.			Rev.
0			0
Date:	Wednesday, January 11, 2006	Sheet	3 of 18
Prepared By	Reviewed By	Approved By	
Agi CC Hsu	WB Liu	Wen-Shih Liu	

External test points

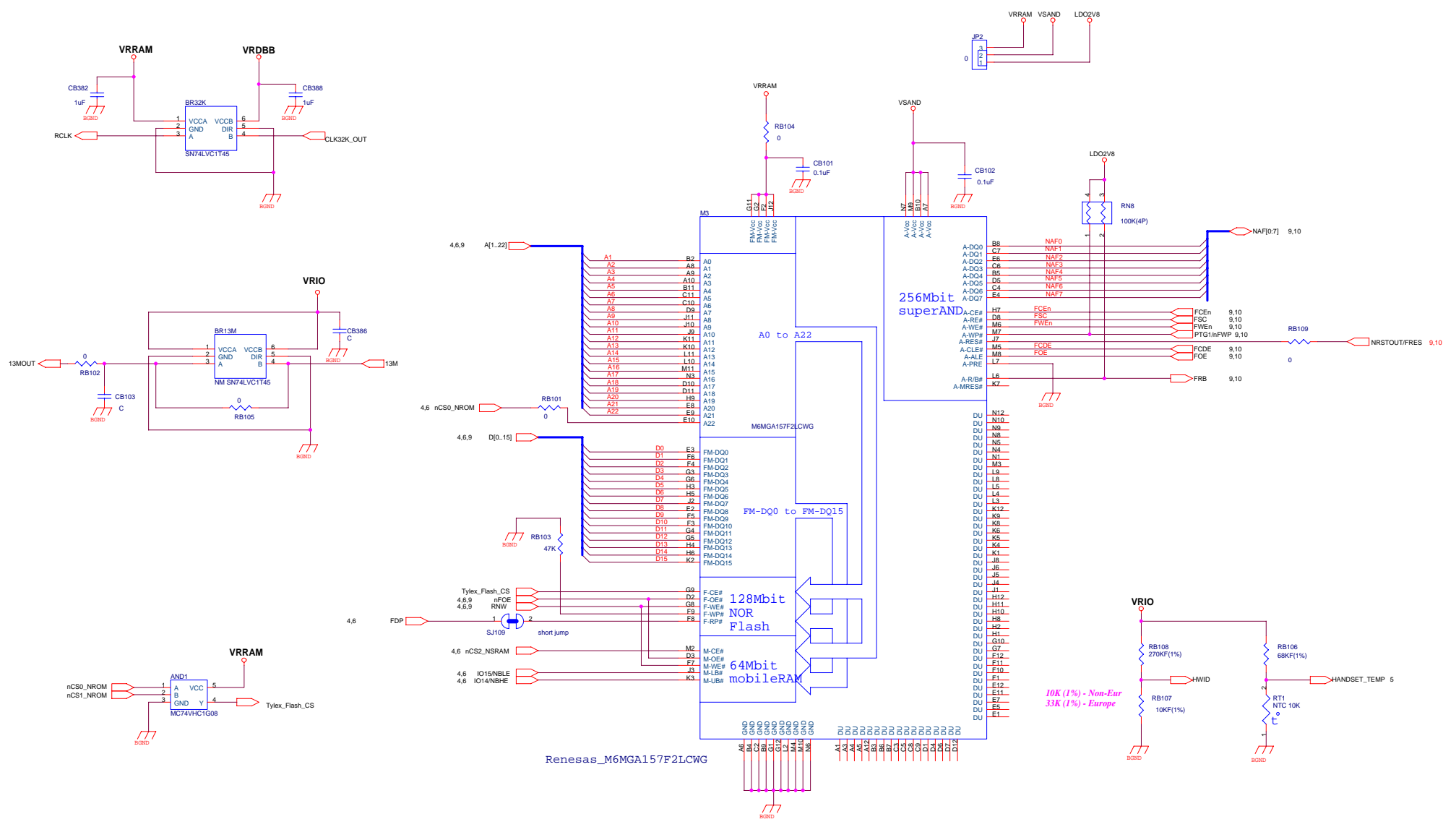


TWL3025

RB:RB51-RB100  
 CB:CB51-CB100  
 TP:TP1-TP50

<b>BenQ Corporation</b>			
Project Code 9J.GOR21.001	Model Name HYPB1A	OEM/ODM Model Name OBM	
Title <b>TWL3025 IOTA</b>			
Size A4	PCB P/N 4H.GOR01.S08	PCB Rev. V4	Document Number 9J.GOR21.000-C3-304-001
Date: Wednesday, January 11, 2006		Sheet 4	of 18
Prepared By Agi CC Hsu		Reviewed By WB Liu	Approved By Wen-Shih Liu

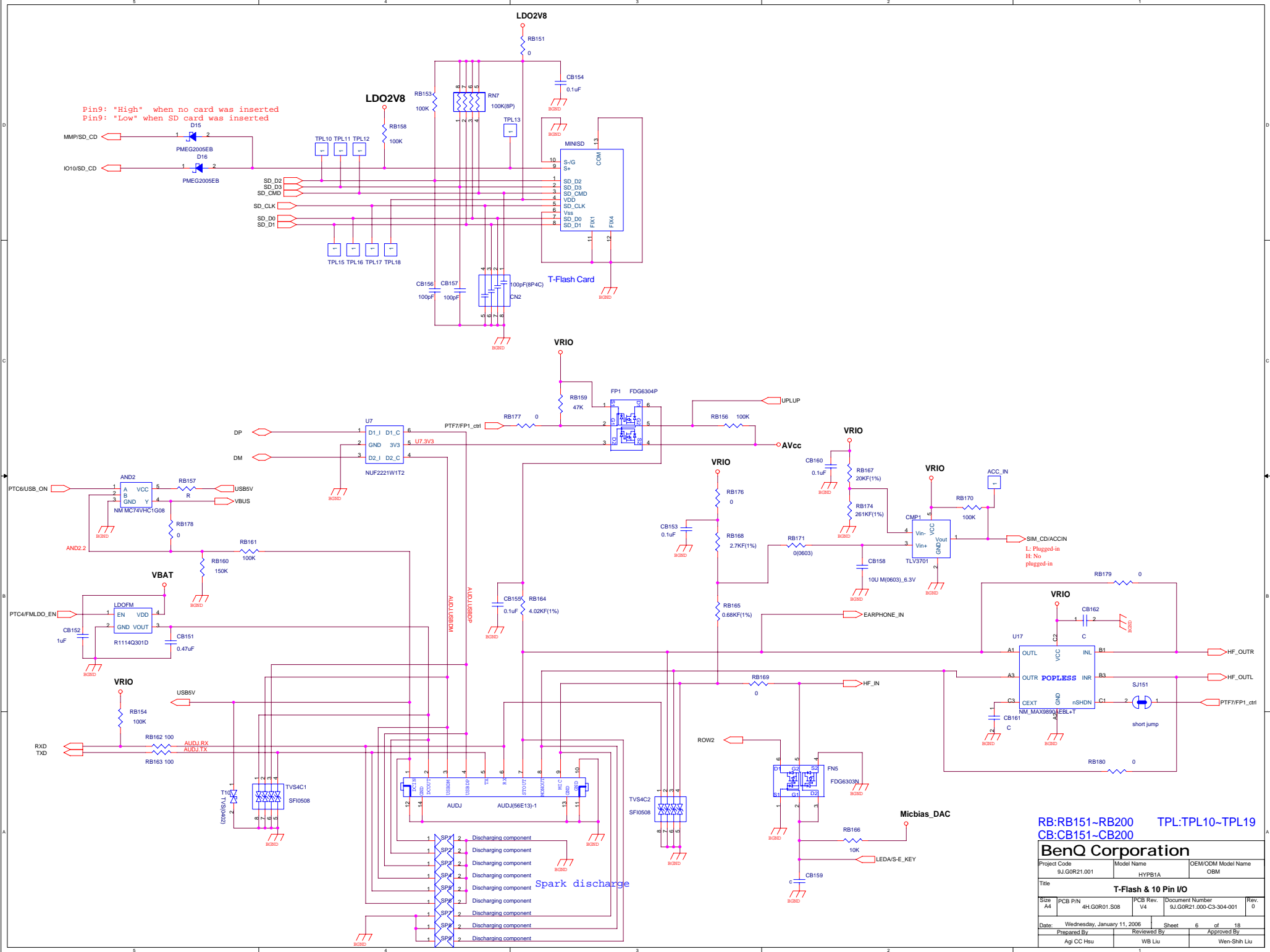
A



RB:RB101~RB150 TPL:TPL46~TPL50  
CB:CB101~CB150

<b>BenQ Corporation</b>					
Project Code	9J.GOR21.001	Model Name	HYPB1A	OEM/COM Model Name	OBM
<b>3 COMBO MEMORY</b>					
Size	A4	PCB P/N	4H.GOR01.S08	PCB Rev.	V4
Date:	Wednesday, January 11, 2006	Document Number	9J.GOR21.000-C3-304-001	Rev.	0
Prepared By:	Agi CC Hsu	Reviewed By:	WB Liu	Approved By:	Wen-Shih Liu
Sheet	5	of	18		

Pin9: "High" when no card was inserted  
 Pin9: "Low" when SD card was inserted

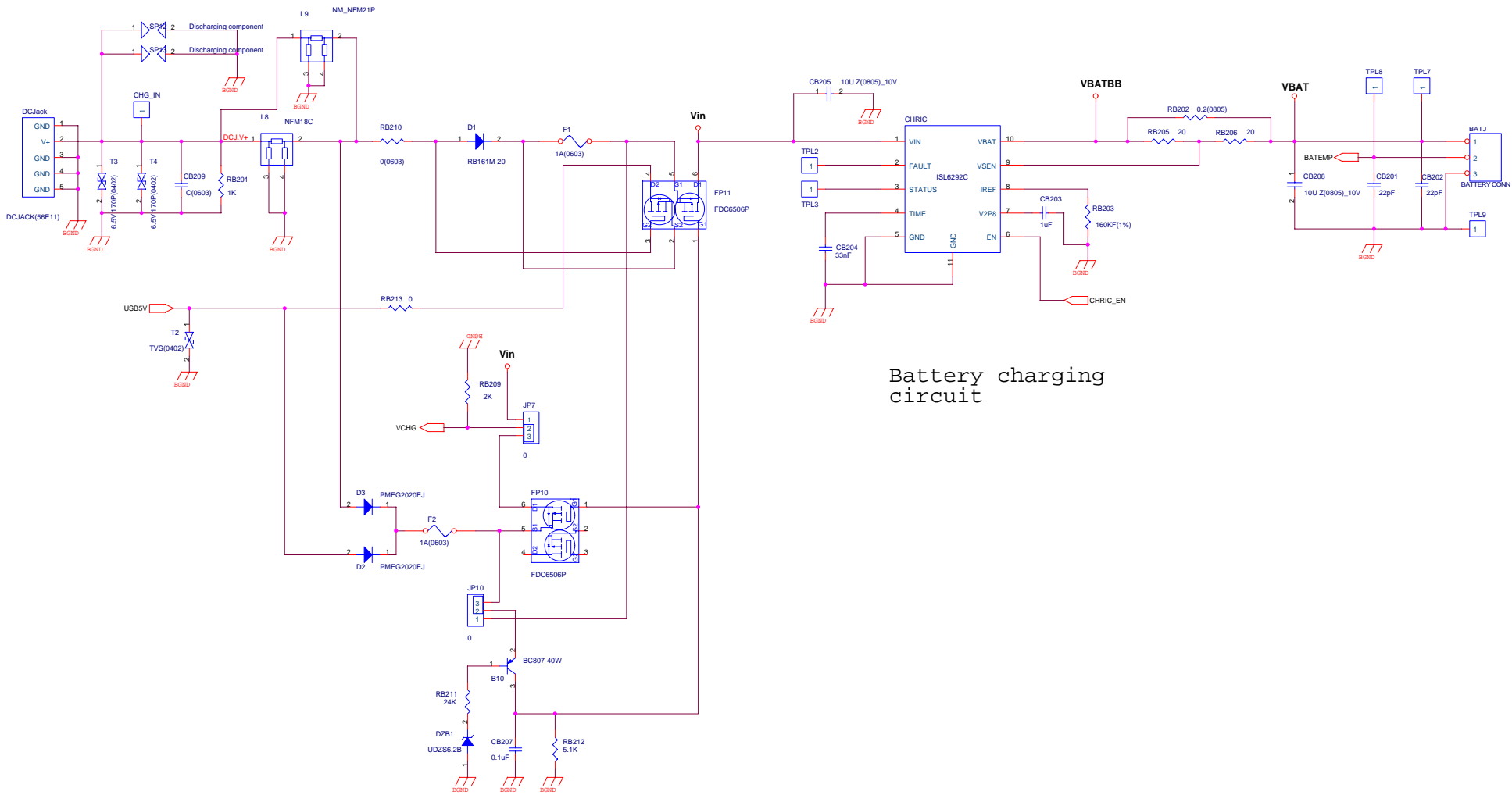


Spark discharge

RB:RB151-RB200 TPL:TPL10-TPL19  
 CB:CB151-CB200

**BenQ Corporation**

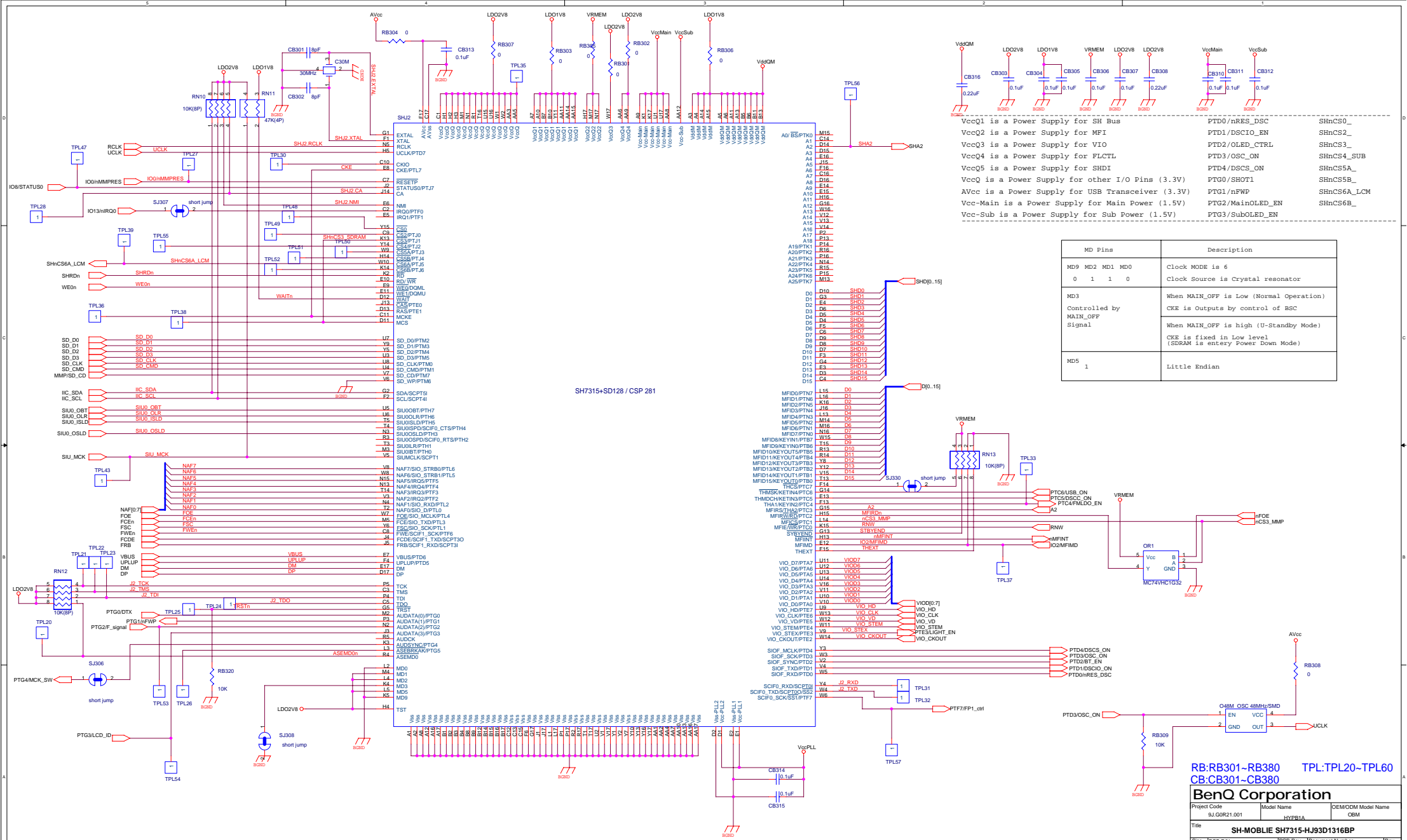
Project Code	9J.GOR21.001	Model Name	HYPB1A	OEM/ODM Model Name	OBM
Title					
<b>T-Flash &amp; 10 Pin I/O</b>					
Size	PCB P/N	PCB Rev.	Document Number	Rev.	0
A4	4H.GOR1.S08	V4	9J.GOR21.000-C3-304-001		
Date:	Wednesday, January 11, 2006	Sheet	6	of	18
Prepared By:	Agi CC Hsu	Reviewed By:	WB Liu	Approved By:	Wen-Shih Liu



Battery charging circuit

**BenQ Corporation**

Project Code 9J.GOR21.001		Model Name HYPB1A		OEM/COM Model Name OBM	
Title <b>LI-ION SAFETY CHARGING</b>					
Size A4	PCB P/N 4H.GOR01.S08	PCB Rev. V4	Document Number 9J.GOR21.000-C3-304-001	Rev. 0	
Date Wednesday, January 11, 2006		Sheet 7		of 18	
Prepared By Agi CC Hsu		Reviewed By WB Liu		Approved By Wen-Shih Liu	



VccQ1 is a Power Supply for SH Bus  
 VccQ2 is a Power Supply for MFI  
 VccQ3 is a Power Supply for VIO  
 VccQ4 is a Power Supply for FLCTL  
 VccQ5 is a Power Supply for SHDI  
 VccQ is a Power Supply for other I/O Pins (3.3V)  
 Avcc is a Power Supply for USB Transceiver (3.3V)  
 Vcc-Main is a Power Supply for Main Power (1.5V)  
 Vcc-Sub is a Power Supply for Sub Power (1.5V)

PTD0/nRES\_DSC  
 PTD1/DSCIO\_EN  
 PTD2/OLED\_CTRL  
 PTD3/OSC\_ON  
 PTD4/DSCS\_ON  
 PTD5/SHOT1  
 PTD6/DSCS\_ON  
 PTD7/MainOLED\_EN  
 PTD8/SubOLED\_EN

SHnCS0\_2  
 SHnCS2\_2  
 SHnCS3\_2  
 SHnCS4\_SUB  
 SHnCS5A\_2  
 SHnCS5B\_2  
 SHnCS6A\_LCM  
 SHnCS6B\_2

MD Pins	Description
MD9 MD2 MD1 MD0 0 1 1 0	Clock MODE is 6 Clock Source is Crystal resonator
MD3 Controlled by MAIN_OFF Signal	When MAIN_OFF is Low (Normal Operation) CKE is Outputs by control of BSC When MAIN_OFF is high (U-Standby Mode) CKE is fixed in Low level (SDRAM is entery Power Down Mode)
MD5 1	Little Endian

RB:RB301-RB380 TPL:TPL20-TPL60  
 CB:CB301-CB380

**BenQ Corporation**

Project Code: 9J.GOR21.001 Model Name: HYPB/A OEM/ODM Model Name: CBM

Title: SH-MOBILE SH7315-HJ93D1316BP

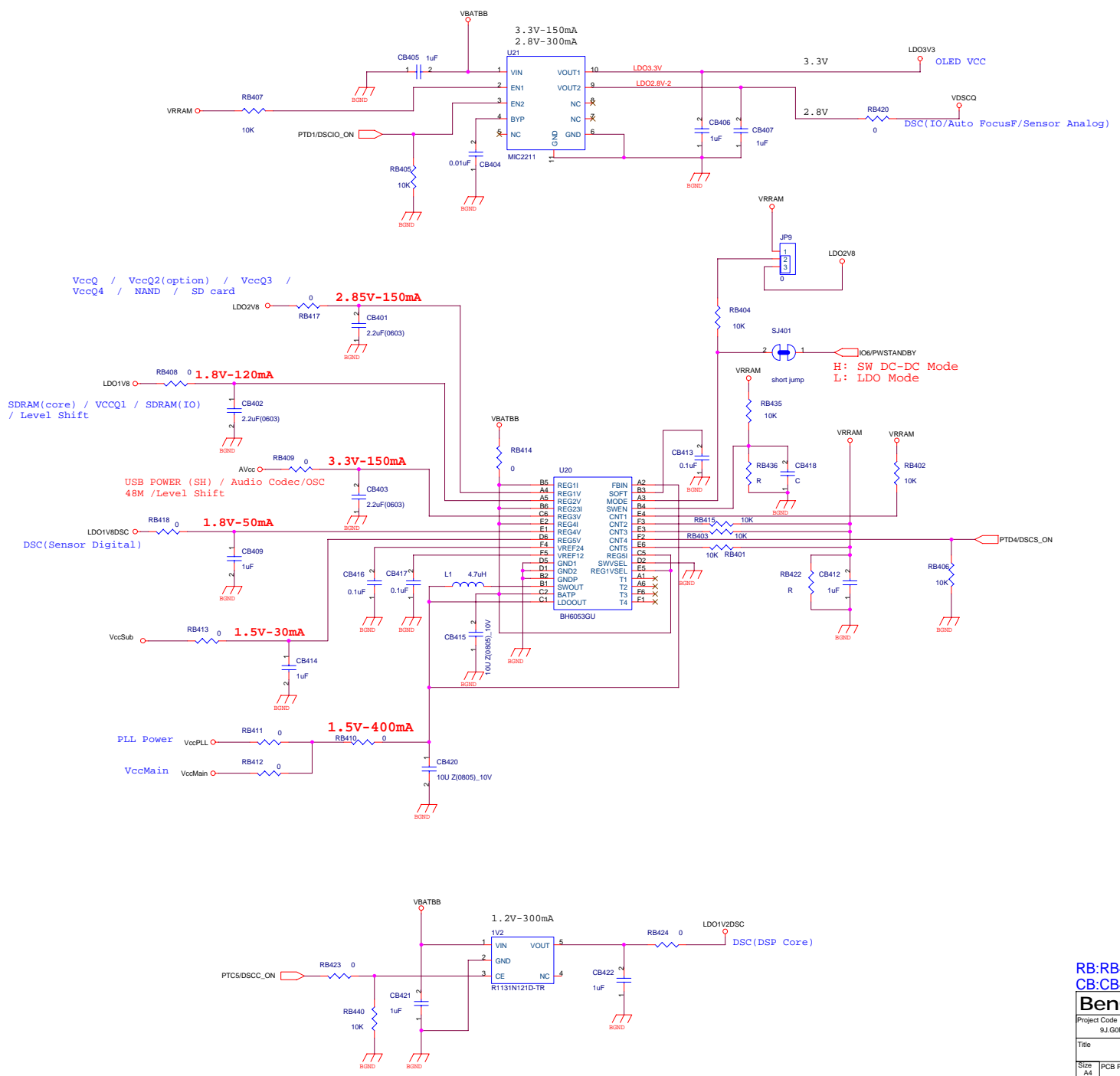
Size: PCB P/N: 4H.GOR1.508 PCB Rev: 1/4 Document Number: 9J.GOR21.000-CS-304-001 Rev: 0

Date: Wednesday, January 11, 2006 Sheet: 8 of 18

Prepared By: Reviewed By: Approved By:

Ag: CC-Hsu WB Liu Wen-Shin Liu

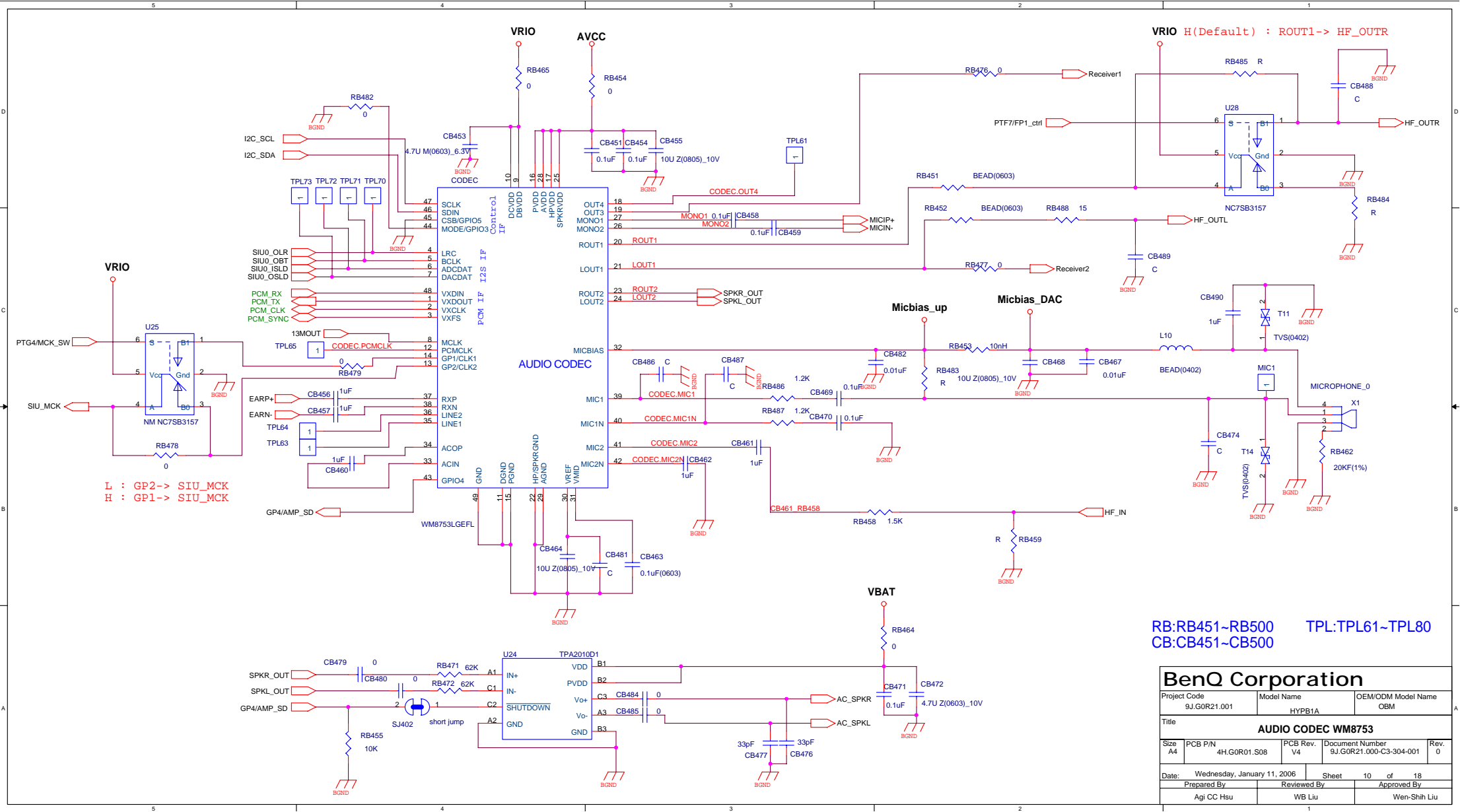




RB:RB401-RB450    TPL:TPL51-TPL60  
 CB:CB401-CB450

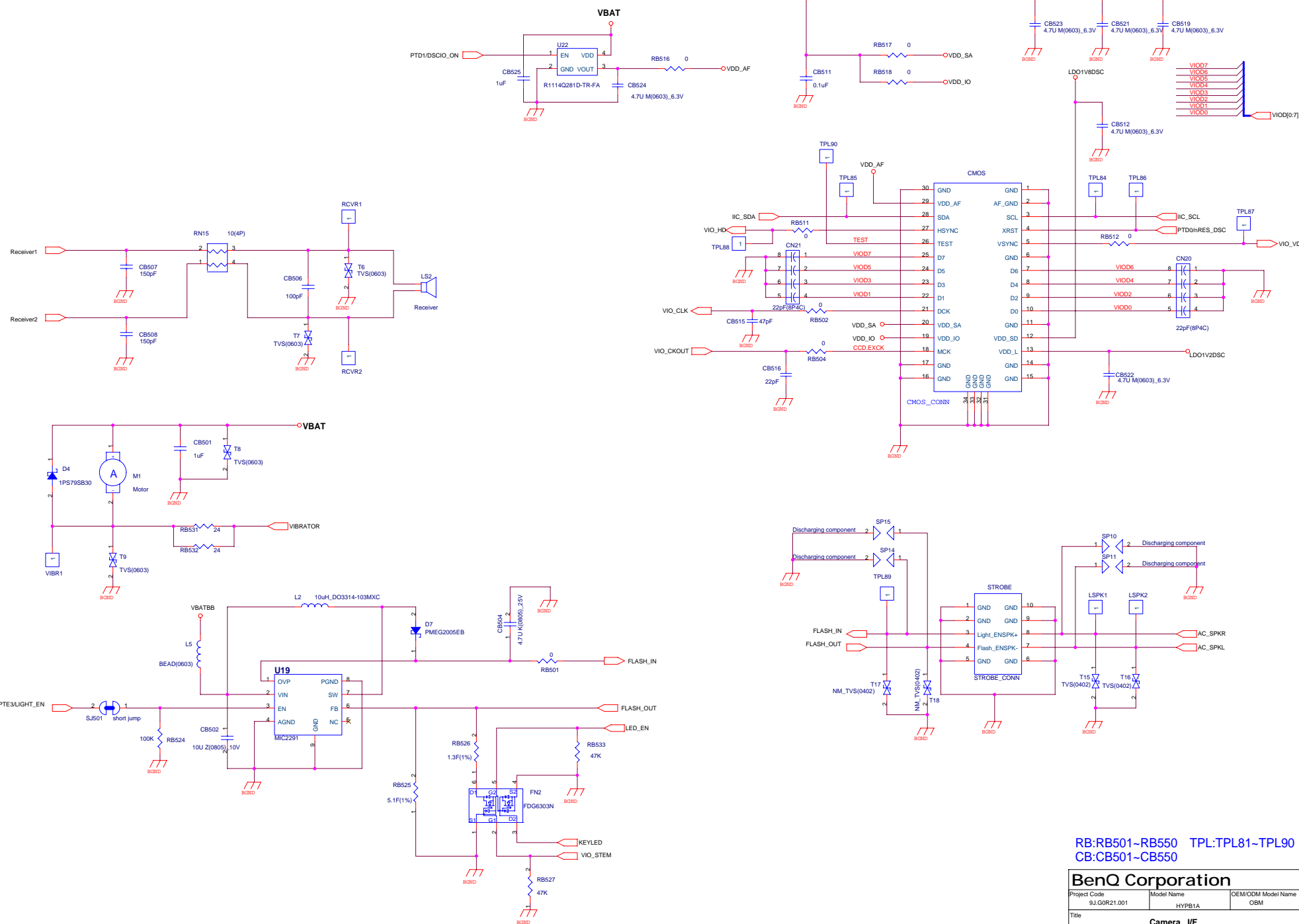
### BenQ Corporation

Project Code	9J.GOR21.001	Model Name	HYPB1A	OEM/ODM Model Name	OBM
Title					
<b>MMP POWER</b>					
Size	PCB P/N	PCB Rev.	Document Number	Rev.	0
A4	4H.GOR01.S08	V4	9J.GOR21.000-C3-304-001		
Date:	Wednesday, January 11, 2006	Sheet	9	of	18
Prepared By:		Reviewed By:		Approved By:	
	Agi CC Hsu		WB Liu	Wen-Shih Liu	



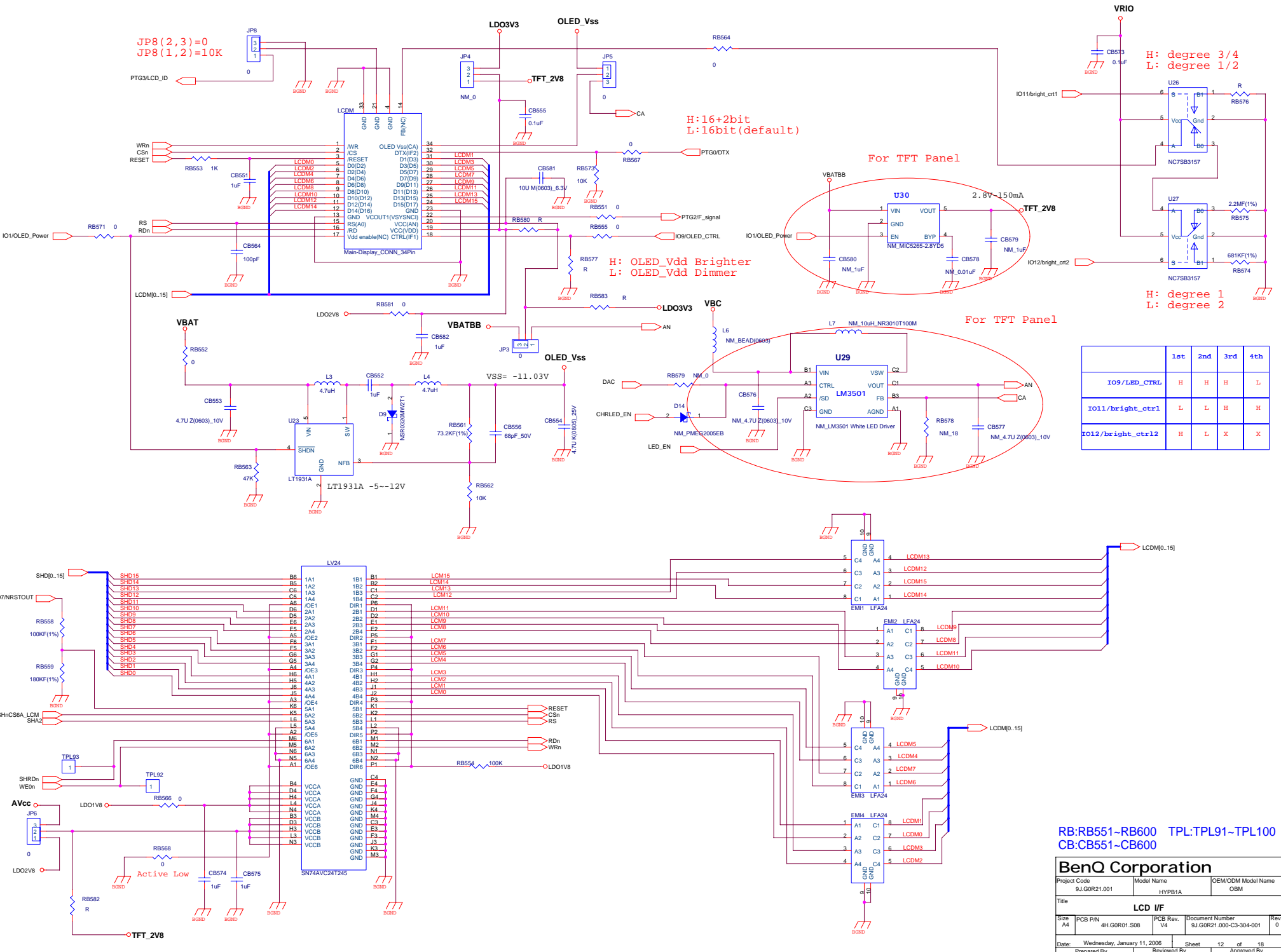
RB:RB451~RB500  
 TPL:TPL61~TPL80  
 CB:CB451~CB500

BenQ Corporation			
Project Code	Model Name	OEM/ODM Model Name	
9J.GOR21.001	HYPB1A	OBM	
Title			
AUDIO CODEC WM8753			
Size	PCB P/N	PCB Rev.	Document Number
A4	4H.GOR01.S08	V4	9J.GOR21.000-C3-304-001
Rev.	Prepared By		Rev. 0
	Reviewed By		
Date:	Wednesday, January 11, 2006	Sheet	10 of 18
Prepared By		Approved By	
Agi CC Hsu		Wen-Shih Liu	



RB:RB501~RB550 TPL:TPL81~TPL90  
 CB:CB501~CB550

BenQ Corporation					
Project Code	9J.GOR21.001	Model Name	HYPB1A	OEM/ODM Model Name	OBM
Title					
<b>Camera I/F</b>					
Size	PCB P/N	PCB Rev.	Document Number	Rev.	0
A4	4H.GOR01.S08	V4	9J.GOR21.000-C3-304-001		
Date:	Wednesday, January 11, 2006	Sheet	11	of	18
Prepared By:	Agil CC Hsu	Reviewed By:	WB Liu	Approved By:	Wen-Shih Liu



JP8(2,3)=0  
JP8(1,2)=10K

H:16+2bit  
L:16bit(default)

H: OLED\_Vdd Brighter  
L: OLED\_Vdd Dimmer

For TFT Panel

For TFT Panel

H: degree 3/4  
L: degree 1/2

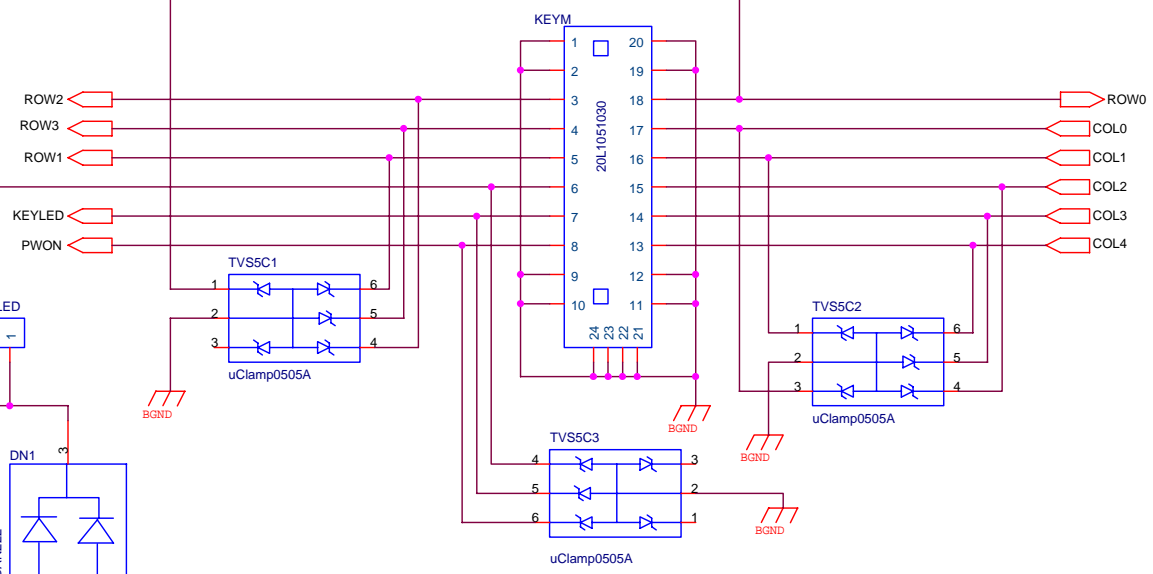
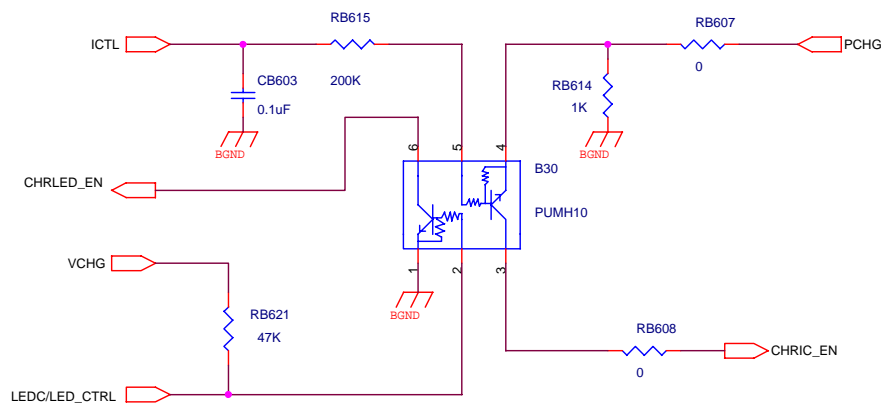
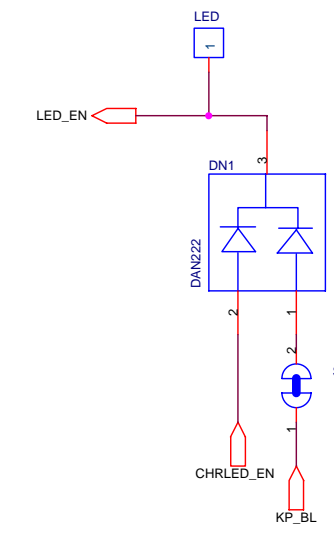
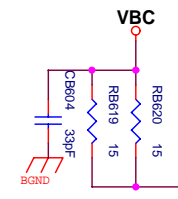
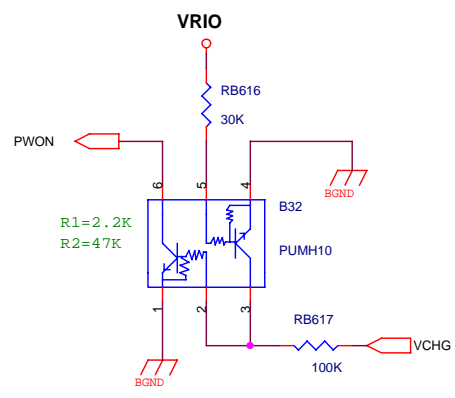
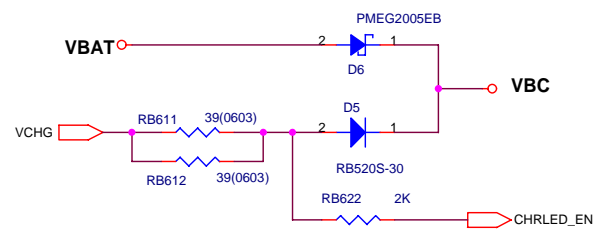
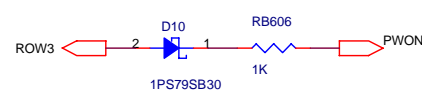
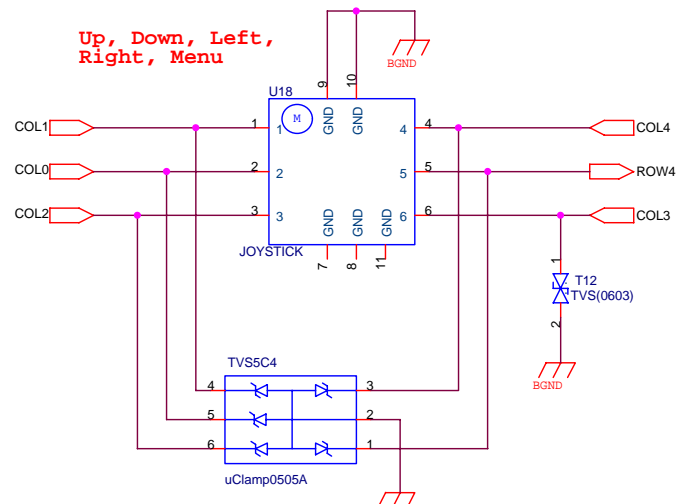
H: degree 1  
L: degree 2

	1st	2nd	3rd	4th
IO9/LED_CTRL	H	H	H	L
IO11/bright_ctrl1	L	L	H	H
IO12/bright_ctrl2	H	L	X	X

RB:RB551-RB600 TPL:TPL91-TPL100  
CB:CB551-CB600

<b>BenQ Corporation</b>					
Project Code	9J.GOR21.001	Model Name	HYPB1A	OEM/ODM Model Name	OBM
Title					
<b>LCD I/F</b>					
Size	A4	PCB P/N	4H.GOR01.S08	PCB Rev.	V4
Document Number	9J.GOR21.000-C3-304-001		Rev.	0	
Date	Wednesday, January 11, 2006		Sheet	12 of 18	
Prepared By	Reviewed By		Approved By		
Agi CC Hsu	WB Liu		Wen-Shih Liu		

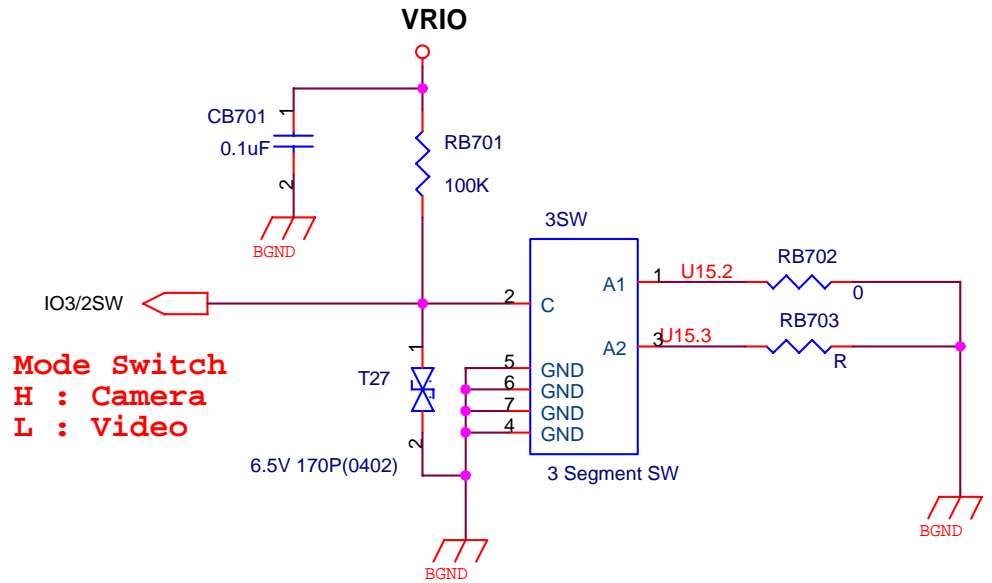
Up, Down, Left, Right, Menu



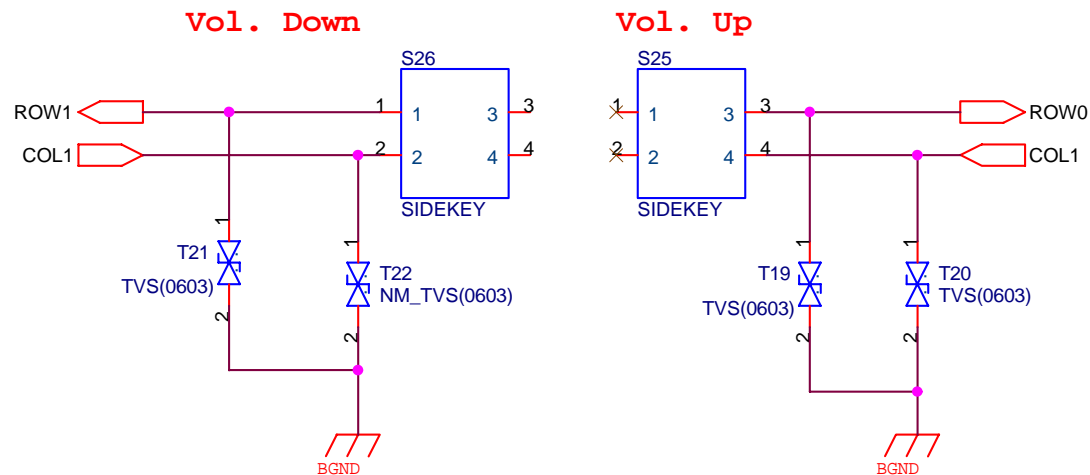
	COL0	COL1	COL2	COL3	COL4	
ROW0		Vol. Up	3	2	1	Shutter section 1
ROW1		Vol. Down	6	5	4	Shutter section 2
ROW2	SOFT LEFT	SEND	9	8	7	HF_S/E KEY
ROW3	SOFT RIGHT		#	0	*	END/POWER
ROW4	MENU (OK)	UP	LEFT	DOWN	RIGHT	

RB:RB601~  
CB:CB601~

<b>BenQ Corporation</b>				
Project Code 9J.GOR21.001		Model Name HYPB1A		OEM/ODM Model Name OBM
Title <b>Joystick and Keypad Connector</b>				
Size A4	PCB P/N 4H.GOR01.S08	PCB Rev. V4	Document Number 9J.GOR21.000-C3-304-001	Rev. 0
Date: Wednesday, January 11, 2006		Sheet 13 of 18		
Prepared By Agi CC Hsu		Reviewed By WB Liu		Approved By Wen-Shih Liu

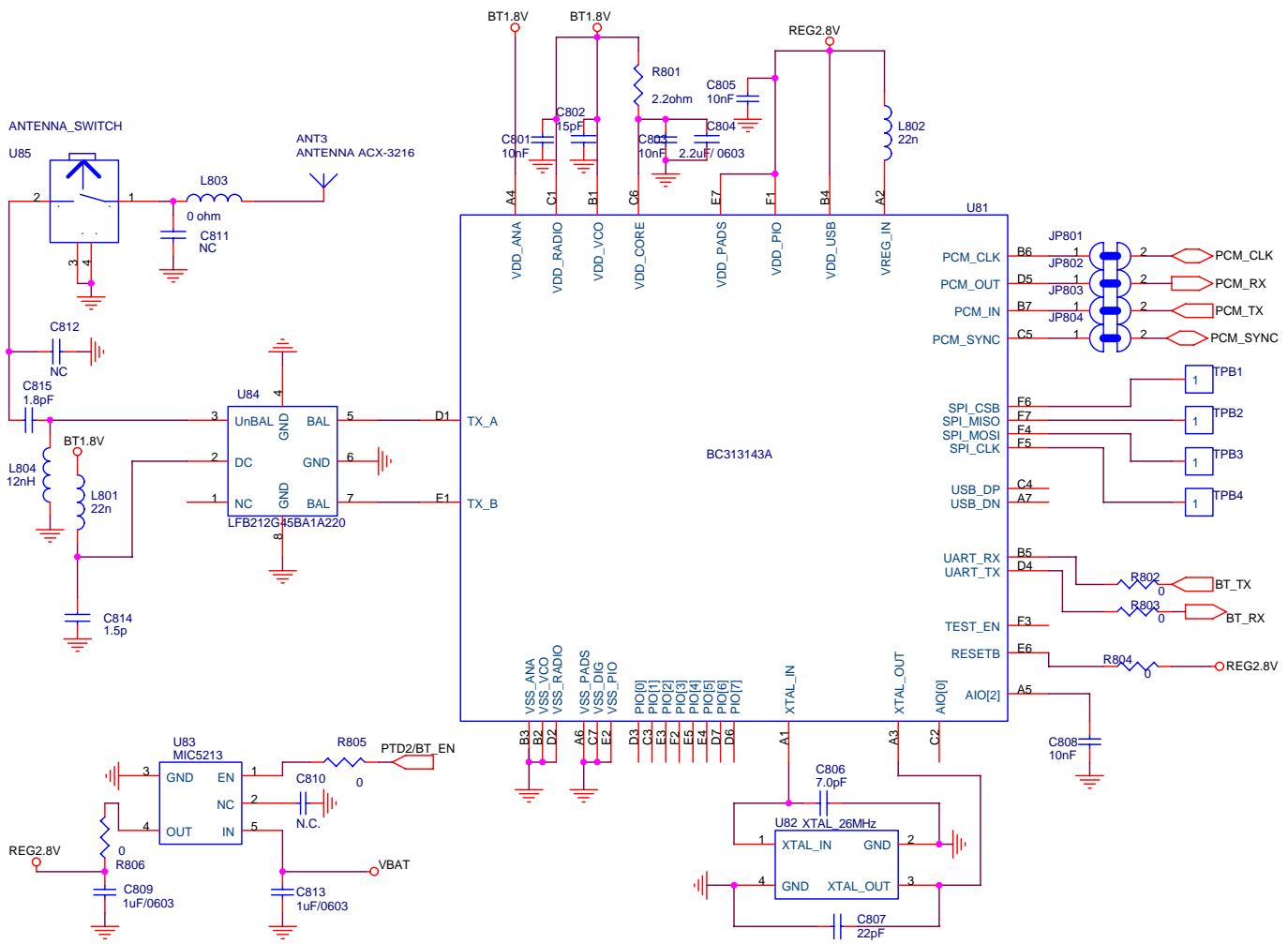


	COL0	COL1	COL2	COL3	COL4	
ROW0		Vol. Up	3	2	1	Shutter section 1
ROW1		Vol. Down	6	5	4	Shutter section 2
ROW2	SOFT LEFT	SEND	9	8	7	HF_S/E KEY
ROW3	SOFT RIGHT		#	0	*	END/POWER
ROW4	MENU (OK)	UP	LEFT	DOWN	RIGHT	



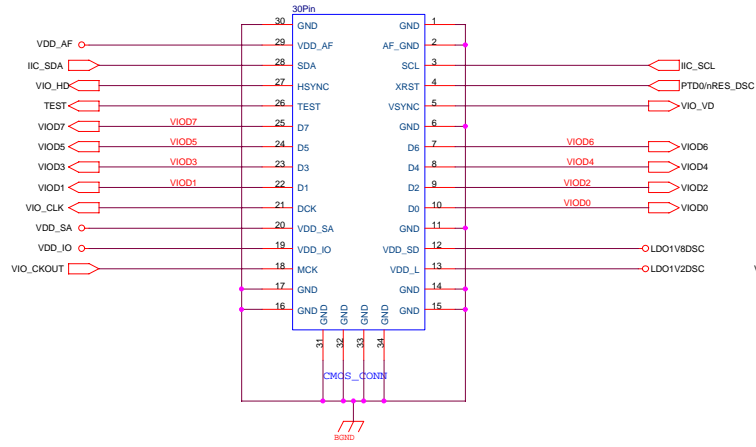
RB:RB701~  
 CB:CB701~

<b>BenQ Corporation</b>				
Project Code 9J.G0R21.001		Model Name HYPB1A		OEM/ODM Model Name OBM
<b>Mode Switch and Side Key</b>				
Size A4	PCB P/N 4H.G0R01.S08	PCB Rev. V4	Document Number 9J.G0R21.000-C3-304-001	Rev. 0
Date: Wednesday, January 11, 2006		Sheet 14 of 18		
Prepared By Agi CC Hsu		Reviewed By WB Liu		Approved By Wen-Shih Liu

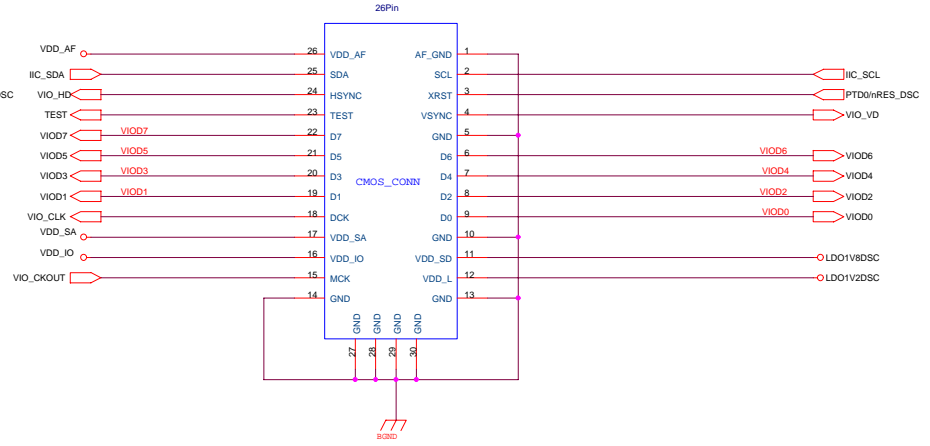


BenQ Corporation				
Project Code	Model Name	OEM/ODM Model Name		
9J.G0R21.001	HYPB1A	OBM		
Title				
<b>BT Board</b>				
Size	PCB P/N	PCB Rev.	Document Number	Rev.
A4	4H.G0R01.S08	V4	9J.G0R21.000-C3-304-001	0
Date: Wednesday, January 11, 2006		Sheet 15 of 18		
Prepared By		Reviewed By		Approved By
Agi CC Hsu		WB Liu		Wen-Shih Liu

30Pin connector to Main Board



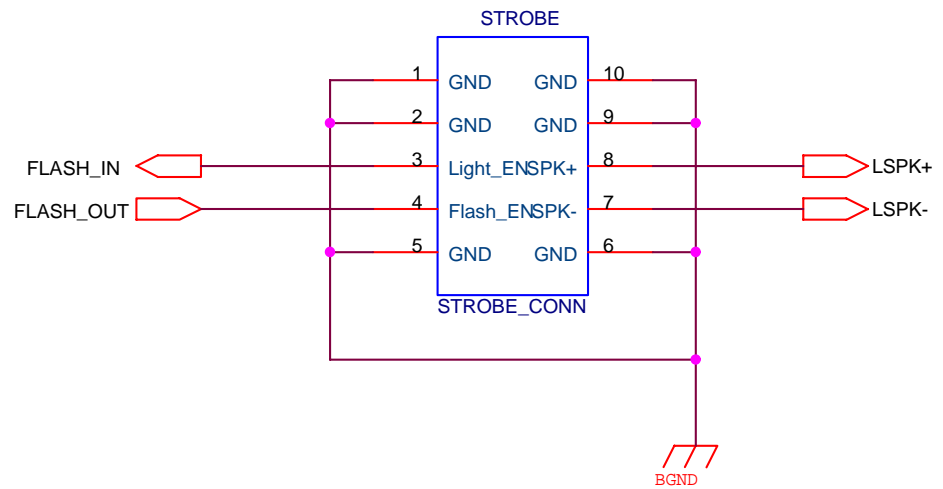
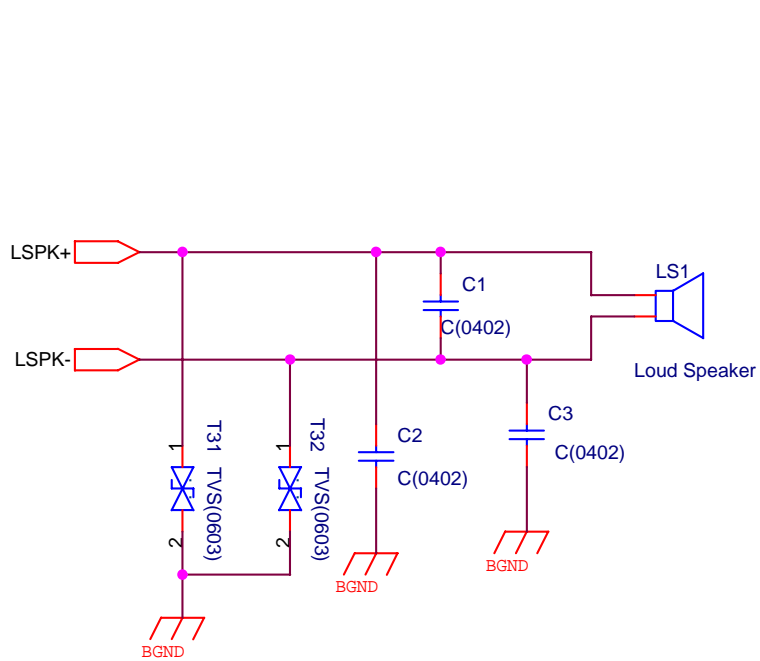
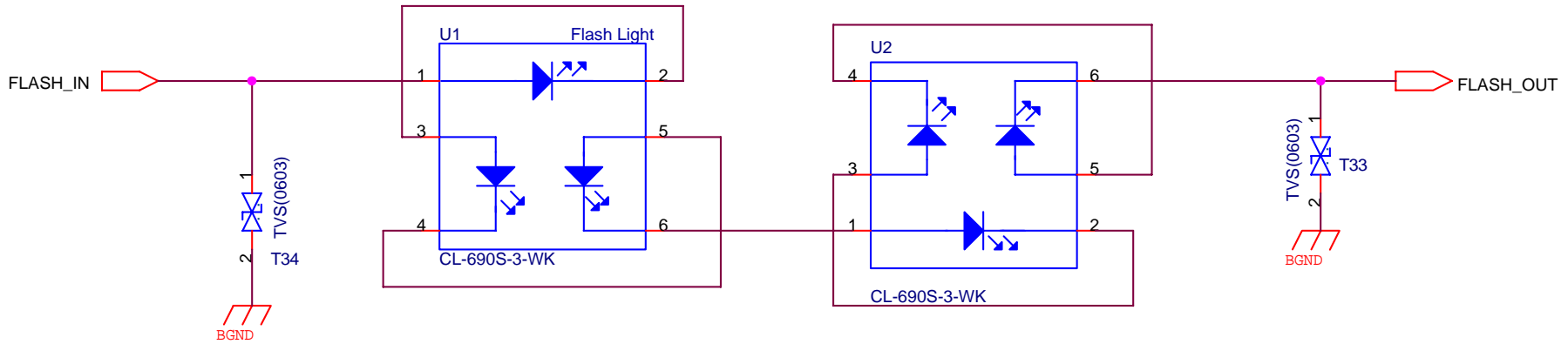
26Pin connector for Sony DSC



**BenQ Corporation**

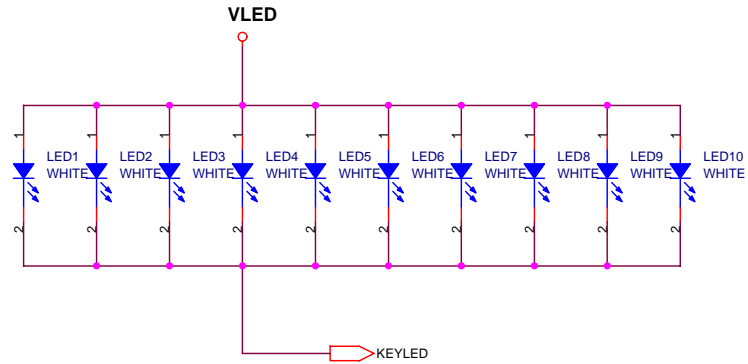
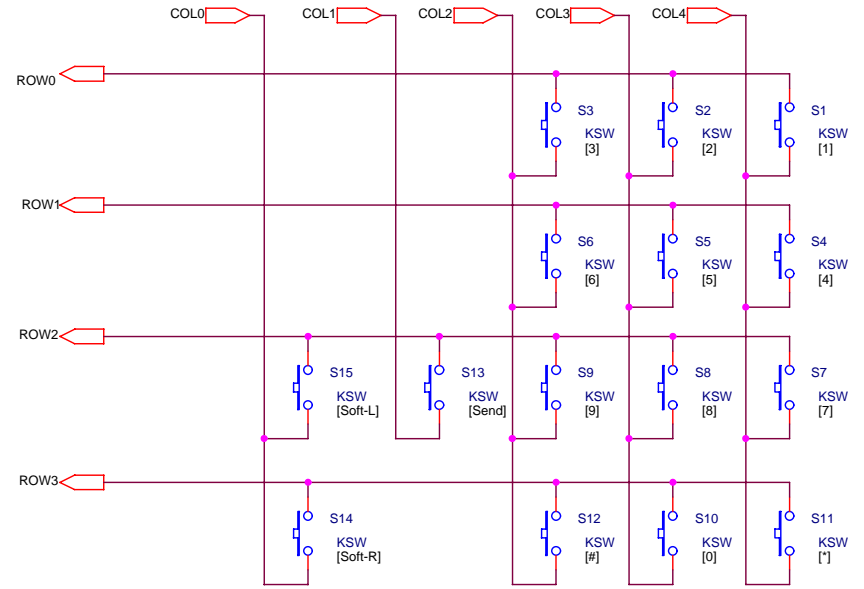
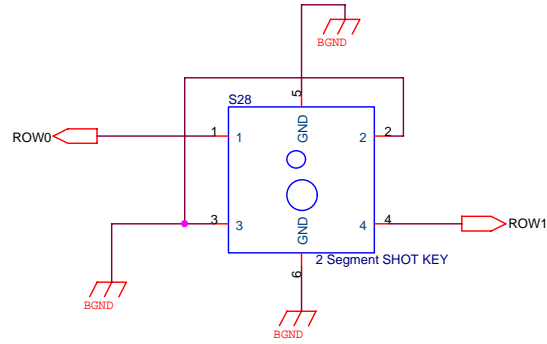
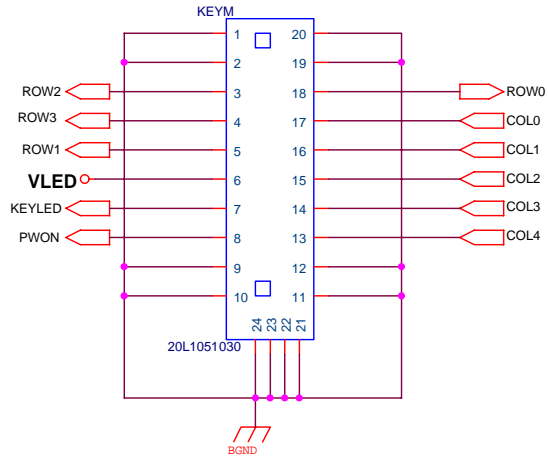
Project Code 9J.GOR21.001		Model Name HYPB1A		OEM/ODM Model Name OBM	
Title <b>DSC FPC Board</b>					
Size A4	PCB P/N 4H.GOR01.S08	PCB Rev. V4	Document Number 9J.GOR21.000-C3-304-001	Rev. 0	
Date: Wednesday, January 11, 2006	Prepared By: Agl CC Hsu	Reviewed By: WB Liu	Sheet 1	of 18	Approved By: Wen-Shih Liu





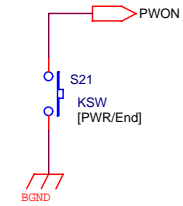
<h1>BenQ Corporation</h1>				
Project Code 9J.G0R21.001		Model Name HYPB1A		OEM/ODM Model Name OBM
<b>Flash FPC Board</b>				
Size A4	PCB P/N 4H.G0R01.S08	PCB Rev. V4	Document Number 9J.G0R21.000-C3-304-001	Rev. 0
Date: Wednesday, January 11, 2006			Sheet 17 of 18	
Prepared By Agi CC Hsu		Reviewed By WB Liu		Approved By Wen-Shih Liu

Pin2 and Pin3 was shorted internally  
 Segment 1: Pin1,Pin2,Pin3 short  
 Segment 2 : Pin1,Pin2,Pin3,Pin4 short

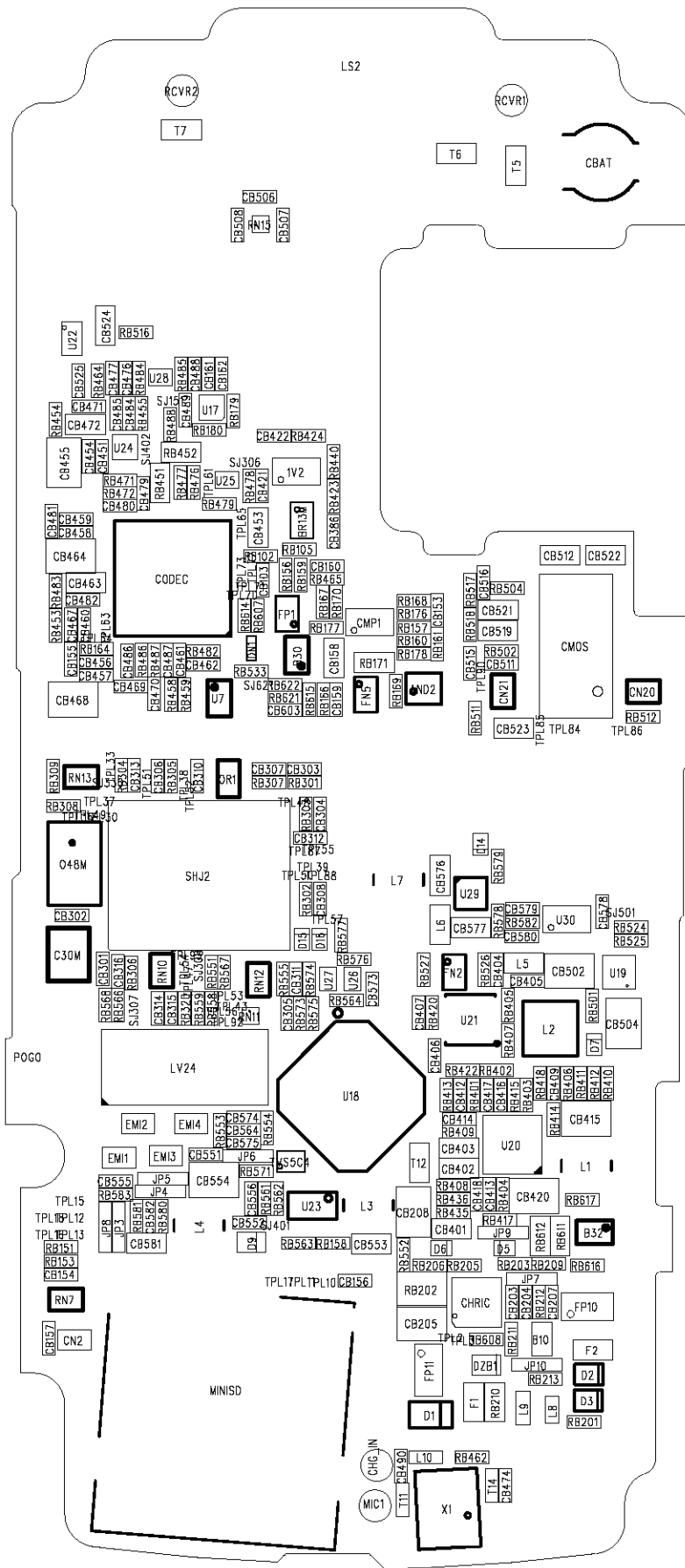


	COL0	COL1	COL2	COL3	COL4
ROW0		Vol. Up	3	2	1
ROW1		Vol. Down	6	5	4
ROW2	SOFT LEFT	SEND	9	8	7
ROW3	SOFT RIGHT		#	0	*
ROW4	MENU (OK)	UP	LEFT	DOWN	RIGHT

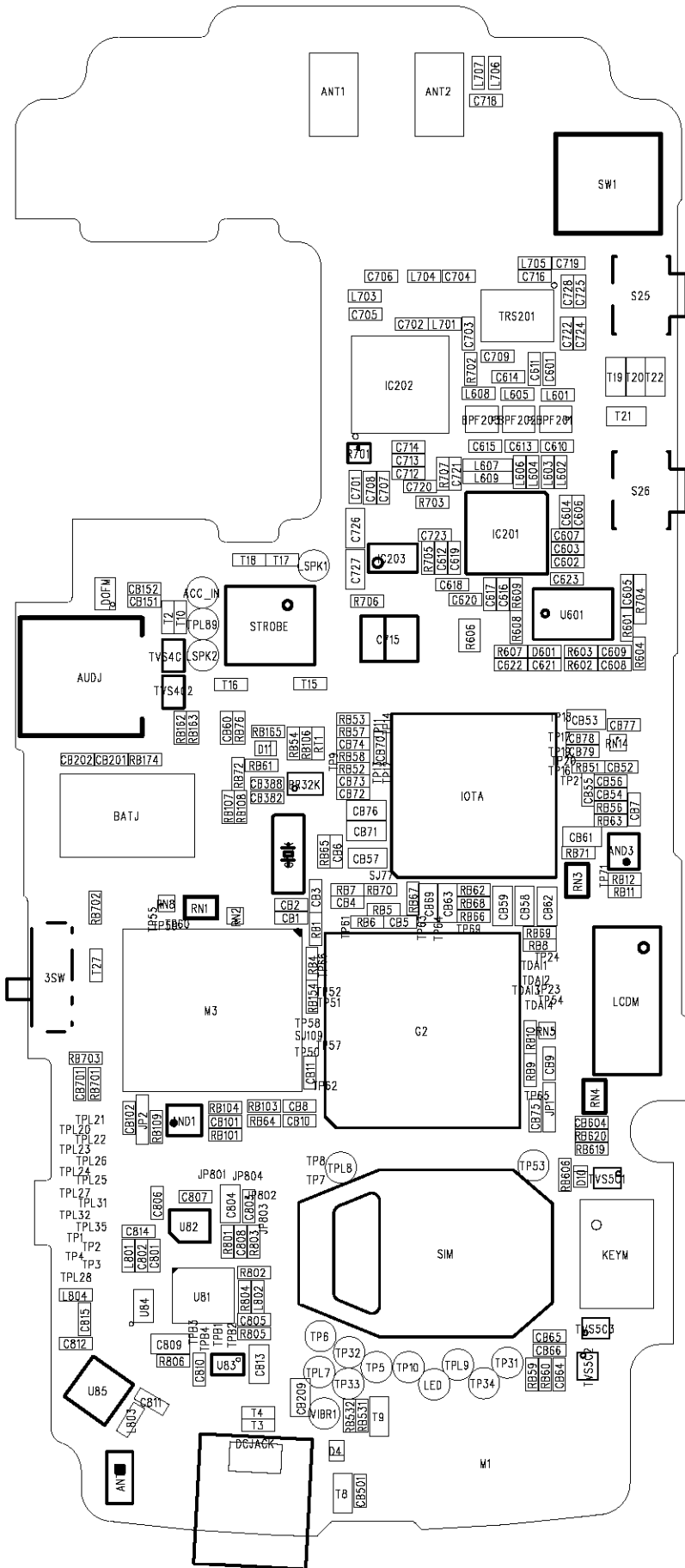
Shutter section 1  
 Shutter section 2  
 HF\_S/E KEY  
 END/POWER



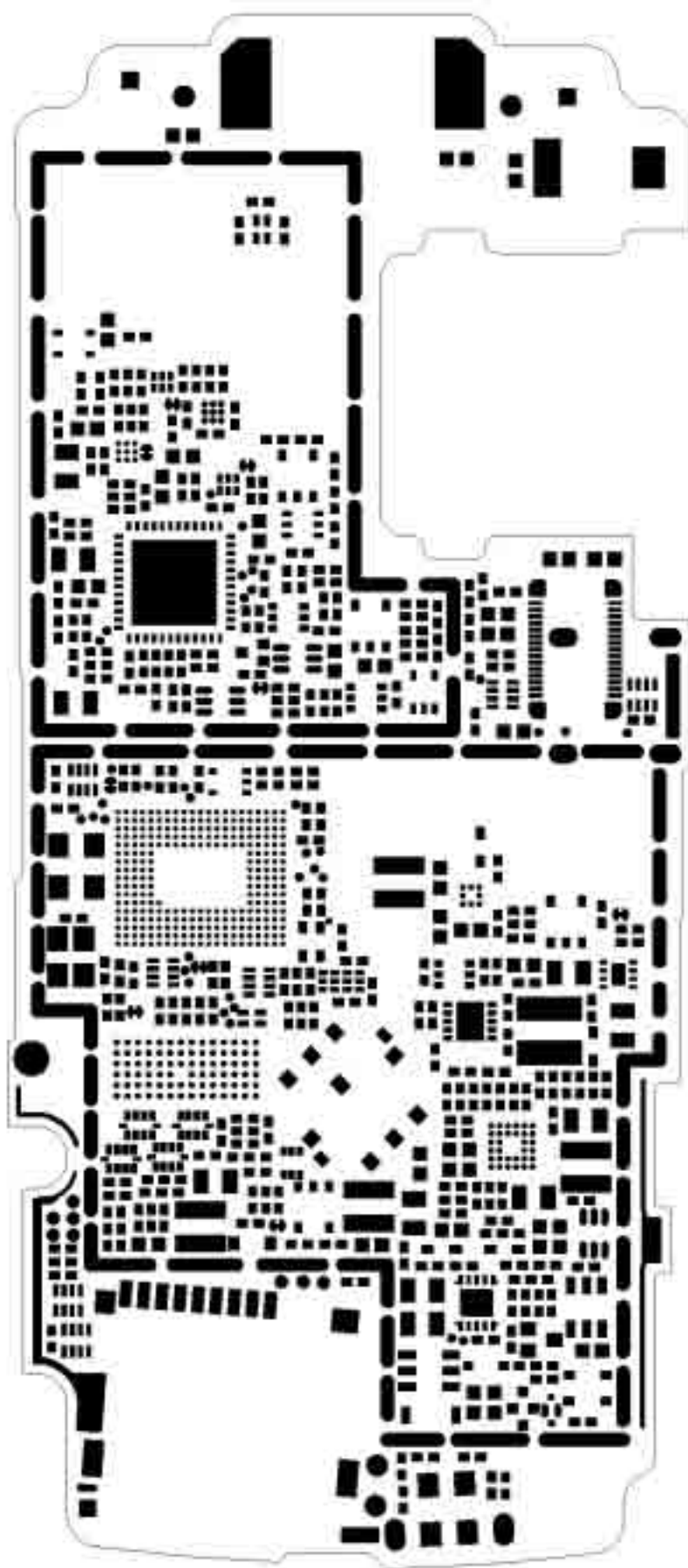
<b>BenQ Corporation</b>				
Project Code 9J.GOR21.001		Model Name HYPB1A		OEM/ODM Model Name OBM
Title <b>Keypad Board</b>				
Size A4	PCB P/N 4H.GOR01.S08	PCB Rev. V4	Document Number 9J.GOR21.000-C3-304-001	Rev. 0
Date: Wednesday, January 11, 2006		Sheet 18 of 18		
Prepared By Agi CC Hsu		Reviewed By WB Liu		Approved By Wen-Shih Liu



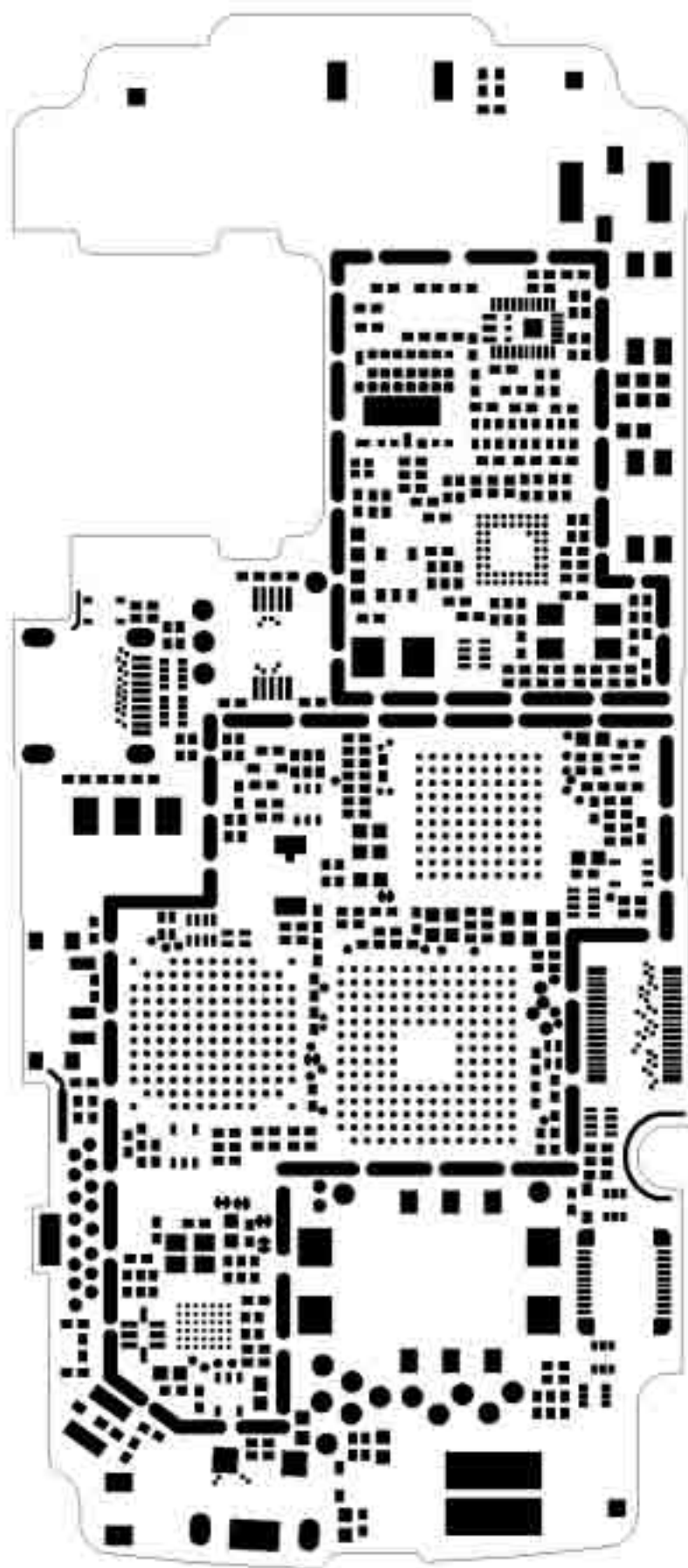
Port No.: 4H.COR1.A01	Sheet 4 of 24
Mold No.: HYB1A	Doc No.: 91.COR2.000-C3-302-001 Rev: 0
Project Code: 91.COR2.001	Date: 2002/12/07 Pcb Rev: V6(A01)
Layer: MOTTOWB REFERR	File Name: Hyperion B1 Main_V6(A01)



<b>BenQ</b>	Layer: REFERENCE TOP		File Name: Hyperion B1 Main_V6(A01)	
	Project Code: 9J.G0R21.001		Date: 2005/12/07	Pcb Rev: V6(A01)
	Molde No.: HYPB1A		Doc.No: 9J.G0R21.000-C3-305-001	Rev: 0
	Part No.: 4H.G0R01.A01		Sheet 3 of 24	



<b>Board</b>	Part No.: 4H.GOR01.A01	Sheet 20 of 24
	Mold No.: HYPB1A	Doc No.: 81.GOR21.000-C2-202-001 Rev: 0
	Project Code: 81.GOR21.001	Date: 2005/12/07 Pcb Rev: V8(A01)
	Layer: TOP KAM 3EDLOS	File Name: Hyperion B1 Main_V8(A01)



<b>BenQ</b>	Layer: SOLDER MASK TOP	File Name: Hyperion B1 Main_V6(A01)	
	Project Code: 9J.G0R21.001	Date: 2005/12/07	Pcb Rev: V6(A01)
	Molde No.: HYPB1A	Doc.No:9J.G0R21.000-C3-305-001	Rev: 0
	Part No.: 4H.G0R01.A01	Sheet 19 of 24	