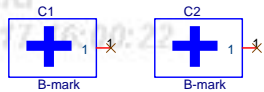


Add B-mark for SMT issue



JASB1A

| Rev | Description | Date |
|-----|-------------|------|
| | | |
| | | |
| | | |
| | | |
| | | |

IO 0 : HS_ID
 IO 1 : LCM_ID/IO1
 IO 2 :
 NMELODY_INT/IO2
 IO 3 : X
 IO 4 : X
 IO 5 : X
 IO 6 : ACCESSORY_IN
 IO 7 : NRSTOUT/IO7
 IO 8 : X
 IO 9 : NLED_DRIVE_SD
 IO 10 : X
 IO 11 : MELODYIC_ID
 IO 12 : X
 IO 13 : X

nCS0 : NROM_CS0
 nCS1 : NRAM_CS1
 nCS2 : X
 nCS3 : X
 nCS4 :
 NMELODY_CS4
 ADIN1: HW_ID
 ADIN2: BATEMP
 ADIN3: EARPHONE_IN
 ADIN4: HS_TMP

nSCS0 :
 NLCDM_CS
 nSCS1 : X
 SDO/INT10n
 : SDA
 SCLK/INT1n
 : SCL

| | | | | |
|------------------------------|-------------------------|----------------------------|--|------------------------------|
| BenQ Corporation | | | | |
| Project Code 9J.G0H21.001 | | Model Name JASB1A | | OEM/ODM Model Name JASB1A |
| Title <Title> | | | | |
| Size A4 | PCB P/N 4H.G0H01.A01 | PCB Rev. A01 | Document Number 9J.G0H21.001-C3-304-001 | Rev. 0 |
| Date: Friday, May 19, 2006 | | Sheet 1 of 10 | | |
| Prepared By lda cheng | | Reviewed By Alex cn lee | | Approved By Alex cn lee |

BenQ Corporation Proprietary

All data and information contained in or disclosed by this document is confidential and proprietary information of BenQ Corporation and all rights therein are expressly reserved. By accepting this material the recipient agrees that this material and the information contained therein is held in confidence and in trust and will not be used, copied, reproduced in whole or in part. Nor its contents revealed in any manner to others without express written permission of BenQ Corporation. This technology is controlled by the United States government. Diversion contrary to U.S. law is prohibited.

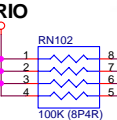
Copyright (c) 2005 BenQ Corporation. All rights reserved.

R:100~149
C:100~149

nCS0 : NLCDM_CS
nCS1 : NRAM_CS1
nCS2 : X
nCS3 : X
nCS4 :
NMELODY_CS4

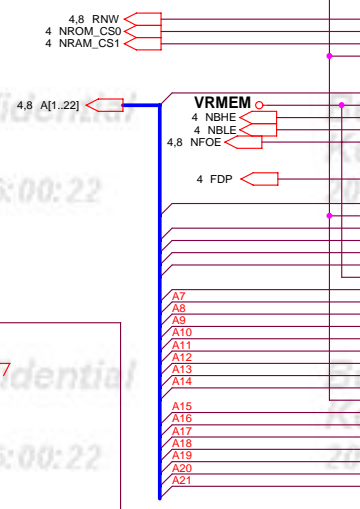
VRRTC1 (1.8V, 1.4V) ==>VDDS-RTC, VDD-RTC
VRIo1, 2 (2.8V) ==>VDDS-1, VDDS-2, VDDANG
VRABB (2.8V) ==>VRABB

VRIO

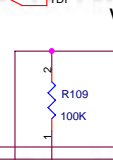


HERCROM400G2

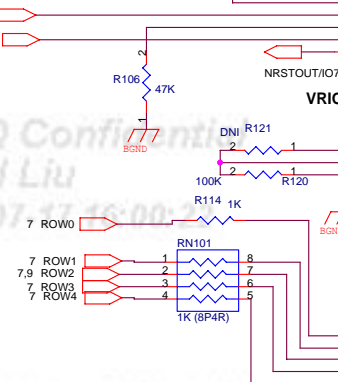
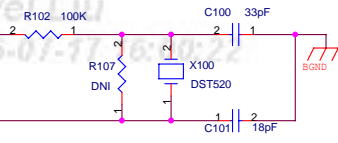
VRMEM



VRIO



VRDBB



VRIO3

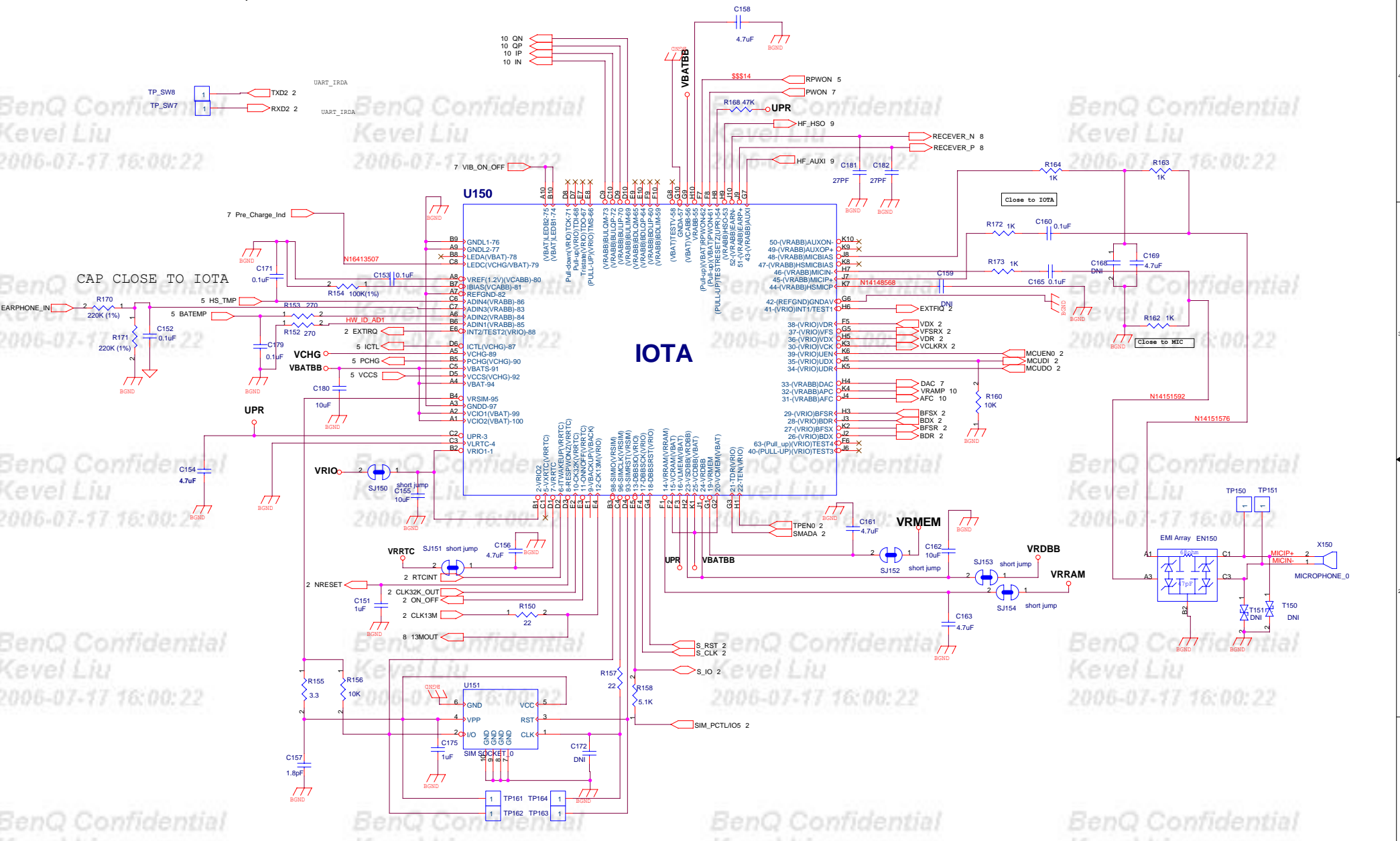
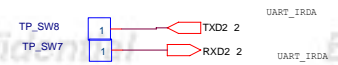


Acoustic test point (MCSI)

| | | | |
|-------------------------|----------------------|--------------------|-------------------------|
| BenQ Corporation | | | |
| Project Code | Model Name | OEM/ODM Model Name | |
| 9J.G0H21.001 | JASB1A | JASB1A | |
| Title | | | |
| G2 | | | |
| Size | PCB P/N | PCB Rev. | Document Number |
| A4 | 4H.G0H01.A01 | A01 | 9J.G0H21.001-C3-304-001 |
| | | | Rev. |
| | | | 0 |
| Date: | Friday, May 19, 2006 | Sheet | 2 of 10 |
| Prepared By | Reviewed By | Approved By | |
| Ida cheng | Alex chn lee | Alex chn lee | |

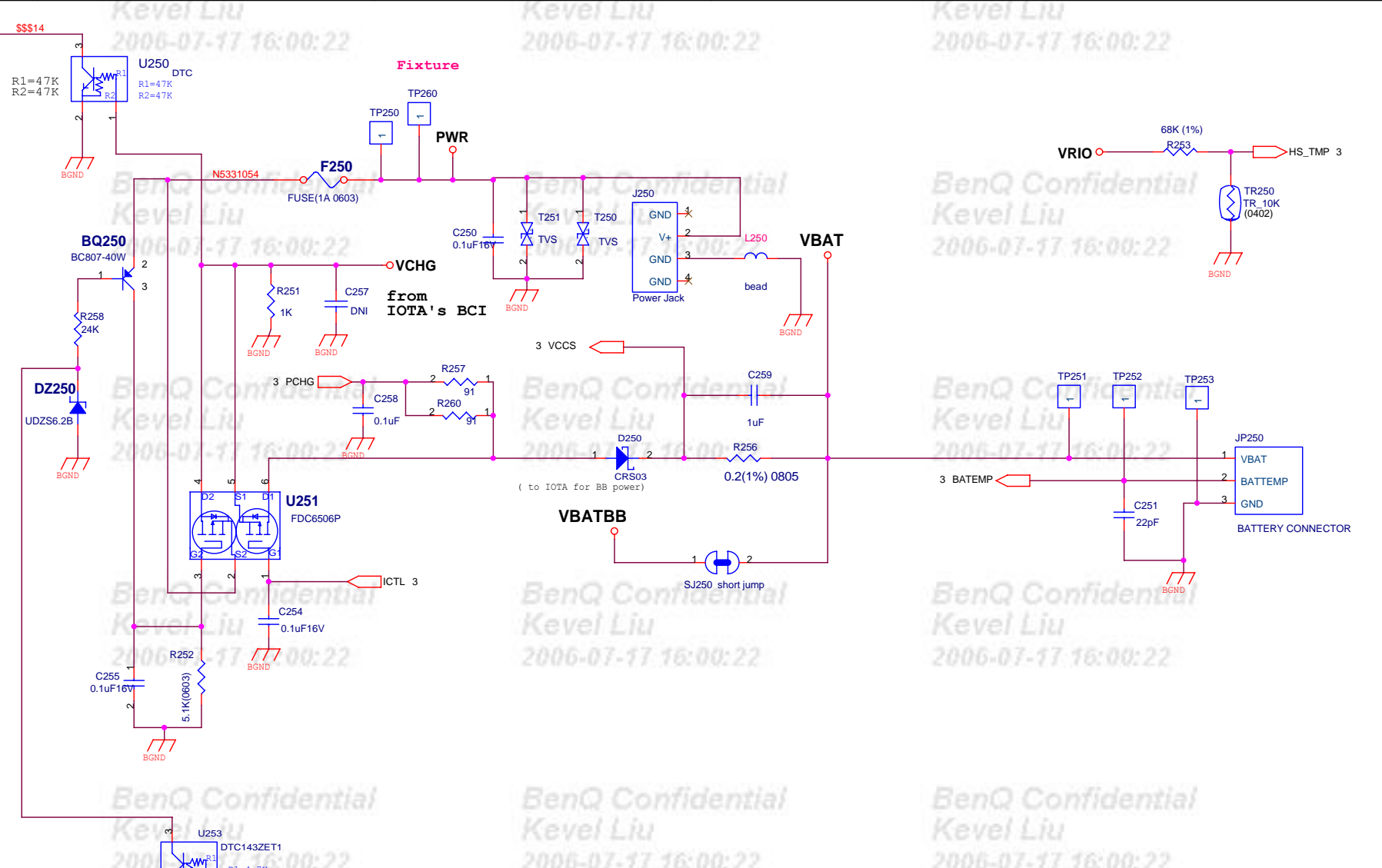
C: 150~199
R: 150~199

External test points



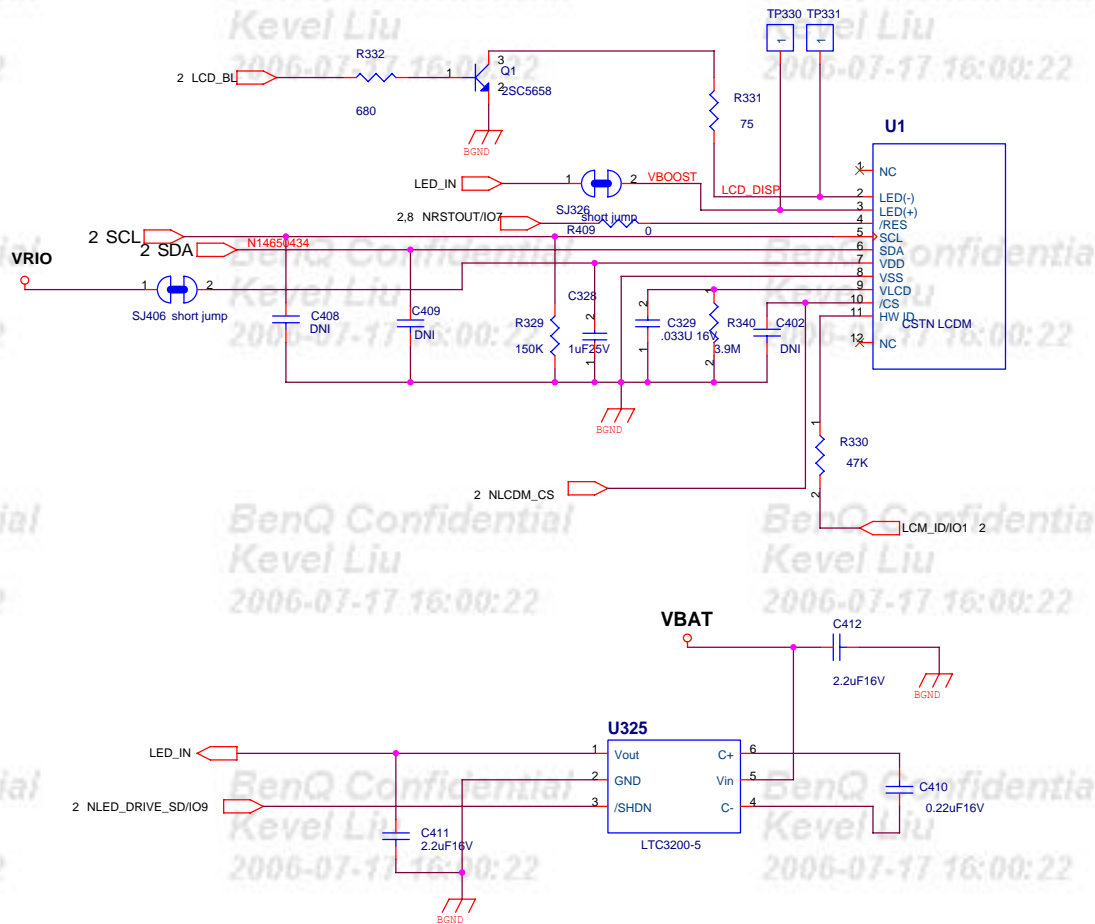
| | | | | |
|-------------------------|----------------------|-------------|-------------------------|--------------------|
| BenQ Corporation | | | | |
| Project Code | 9J.G0H21.001 | Model Name | JASB1A | OEM/ODM Model Name |
| | 706 | | JASB1A | JASB1A |
| Title: IOTA_G2 | | | | |
| Size | PCB PIN | PCB Rev. | Document Number | Rev. |
| A4 | 4H.G0H01.A01 | A01 | 9J.G0H21.001-C3-304-001 | 0 |
| Date: | Friday, May 19, 2006 | Sheet | 3 of 10 | |
| Prepared By | ida cheng | Reviewed By | Alex cn lee | Approved By |
| | | | Alex cn lee | |

R: 250~299
C: 250~299



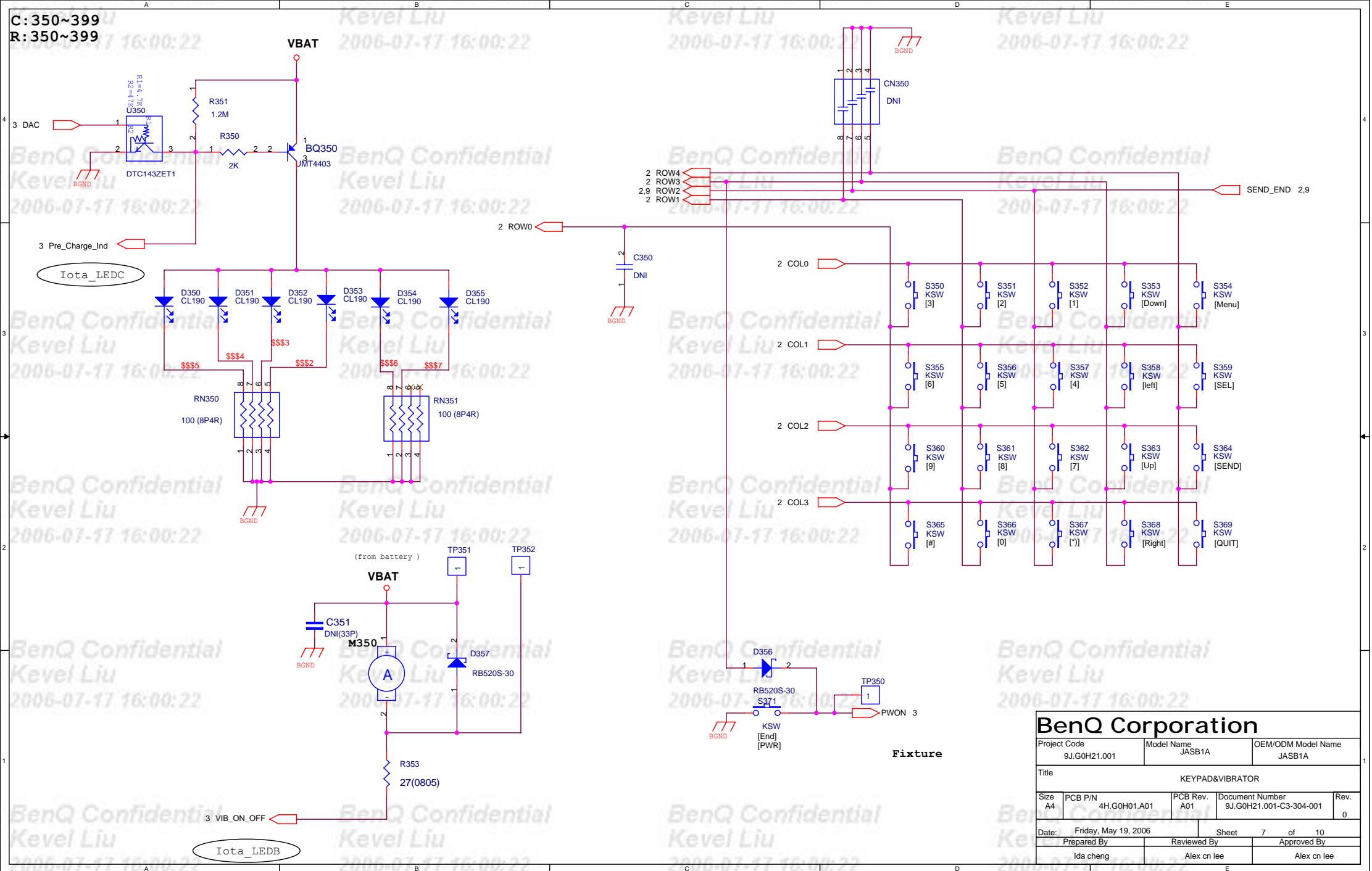
| | | | | |
|------------------------------|-------------------------|----------------------------|--|------------------------------|
| BenQ Corporation | | | | |
| Project Code 9J.G0H21.001 | | Model Name JASB1A | | OEM/ODM Model Name JASB1A |
| Title Charging | | | | |
| Size A4 | PCB P/N 4H.G0H01.A01 | PCB Rev. A01 | Document Number 9J.G0H21.001-C3-304-001 | Rev. 0 |
| Date: Friday, May 19, 2006 | | Sheet 5 of 10 | | |
| Prepared By Ida cheng | | Reviewed By Alex cn lee | | Approved By Alex cn lee |

C: 325~349
R: 325~349

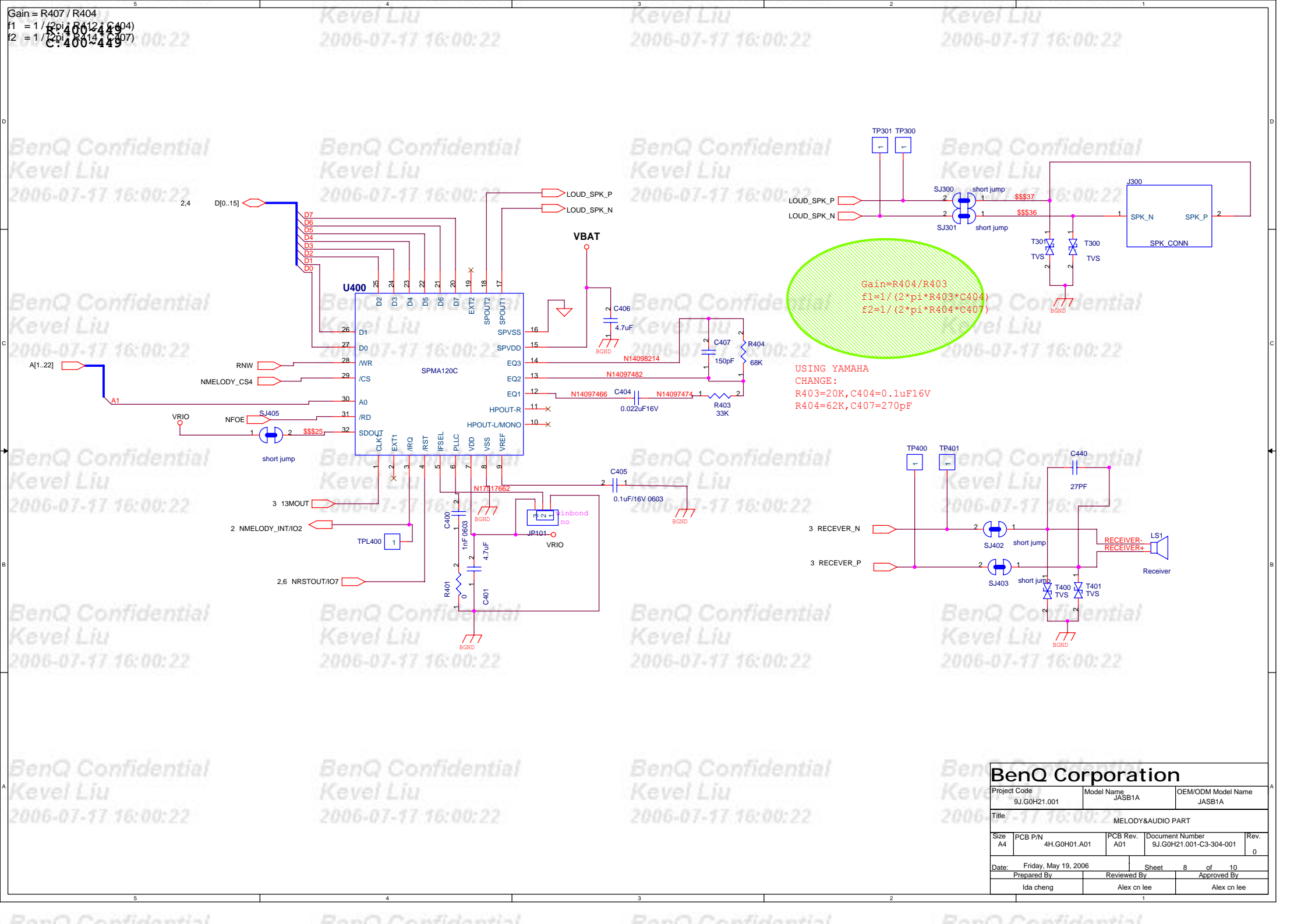


272, /* LCDM_Nanya : 0.0 ~ 0.272V */
410, /* Reserve : 0.273 ~ 0.410V */
616, /* Reserve : 0.411 ~ 0.616V */
926, /* Reserve : 0.617 ~ 0.926V */
1390, /* LCDM_GiantPlus : 0.927 ~ 1.390V */
1718, /* Reserve : 1.391 ~ 1.718V */

| | | | | |
|-------------------------|----------------------|--------------------|-------------------------|-------|
| BenQ Corporation | | | | |
| Project Code | Model Name | OEM/ODM Model Name | | |
| 9J.G0H21.001 | JASB1A | JASB1A | | |
| Title: LCDM&LED DRIVER | | | | |
| Size | PCB P/N | PCB Rev. | Document Number | Rev. |
| A4 | 4H.G0H01.A01 | A01 | 9J.G0H21.001-C3-304-001 | 0 |
| Date: | Friday, May 19, 2006 | Sheet | 6 | of 10 |
| Prepared By | Reviewed By | Approved By | | |
| Ida cheng | Alex cn lee | Alex cn lee | | |



| | | | | |
|------------------------------|-------------------------|----------------------------|--|------------------------------|
| BenQ Corporation | | | | |
| Project Code 9J.G0H21.001 | | Model Name JASB1A | | OEM/ODM Model Name JASB1A |
| Title KEYPAD&VIBRATOR | | | | |
| Size A4 | PCB P/N 4H.G0H01.A01 | PCB Rev. A01 | Document Number 9J.G0H21.001-C3-304-001 | Rev. 0 |
| Date: Friday, May 19, 2006 | | Sheet 7 of 10 | | |
| Prepared By Iida cheng | | Reviewed By Alex cn lee | | Approved By Alex cn lee |



Gain = R407 / R404
 $f1 = 1 / (2 * \pi * R403 * C404)$
 $f2 = 1 / (2 * \pi * R404 * C407)$

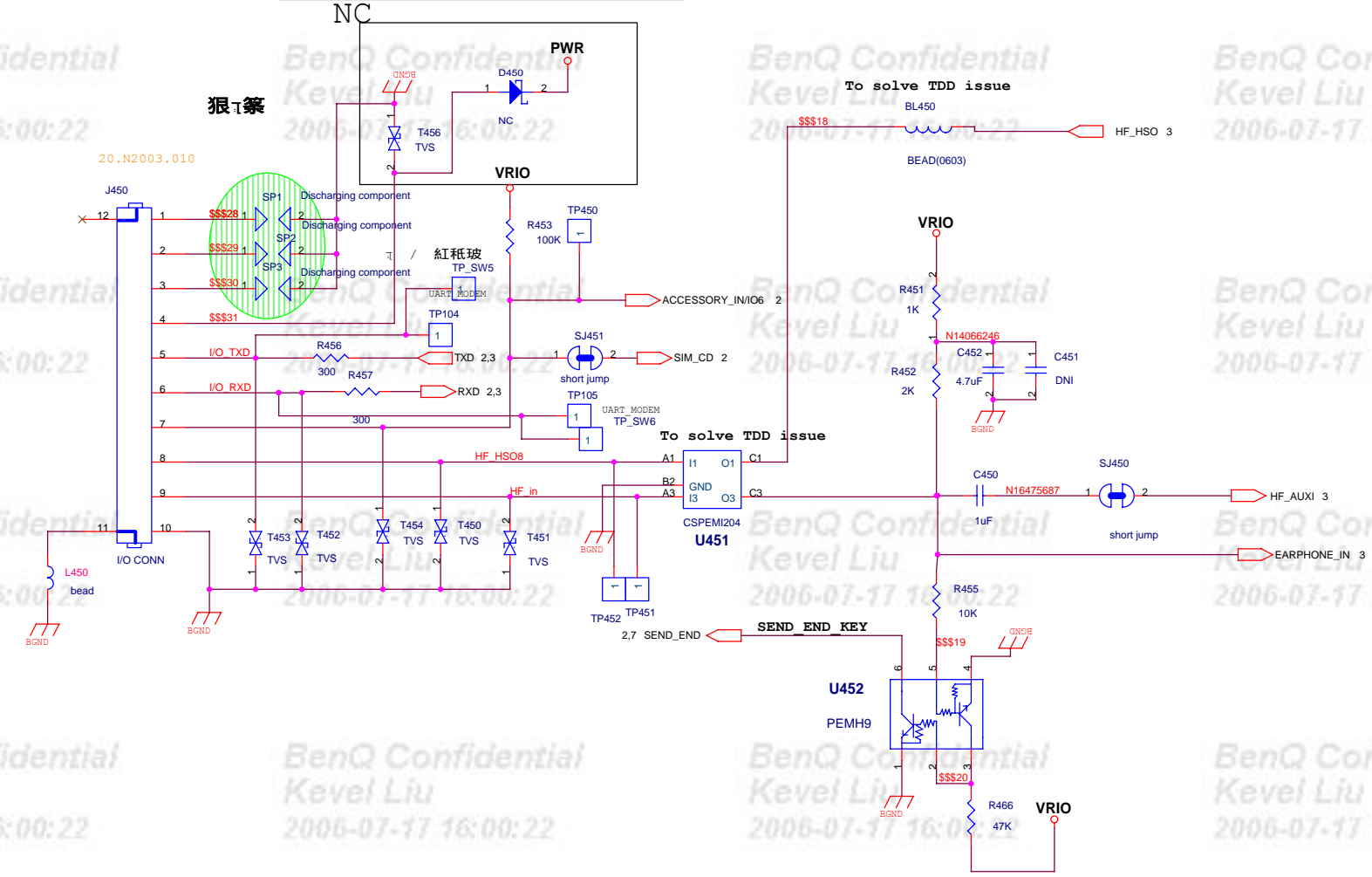
Gain=R404/R403
 $f1=1/(2*\pi*R403*C404)$
 $f2=1/(2*\pi*R404*C407)$

USING YAMAHA
 CHANGE:
 R403=20K, C404=0.1uF16V
 R404=62K, C407=270pF

| | | | | |
|--------------------------|----------------------|--------------------|-------------------------|-------|
| BenQ Corporation | | | | |
| Project Code | Model Name | OEM/ODM Model Name | | |
| 9J.G0H21.001 | JASB1A | JASB1A | | |
| Title: MELODY&AUDIO PART | | | | |
| Size | PCB P/N | PCB Rev. | Document Number | Rev. |
| A4 | 4H.G0H01.A01 | A01 | 9J.G0H21.001-C3-304-001 | 0 |
| Date: | Friday, May 19, 2006 | Sheet | 8 | of 10 |
| Prepared By | Reviewed By | Approved By | | |
| Ida cheng | Alex cn lee | Alex cn lee | | |

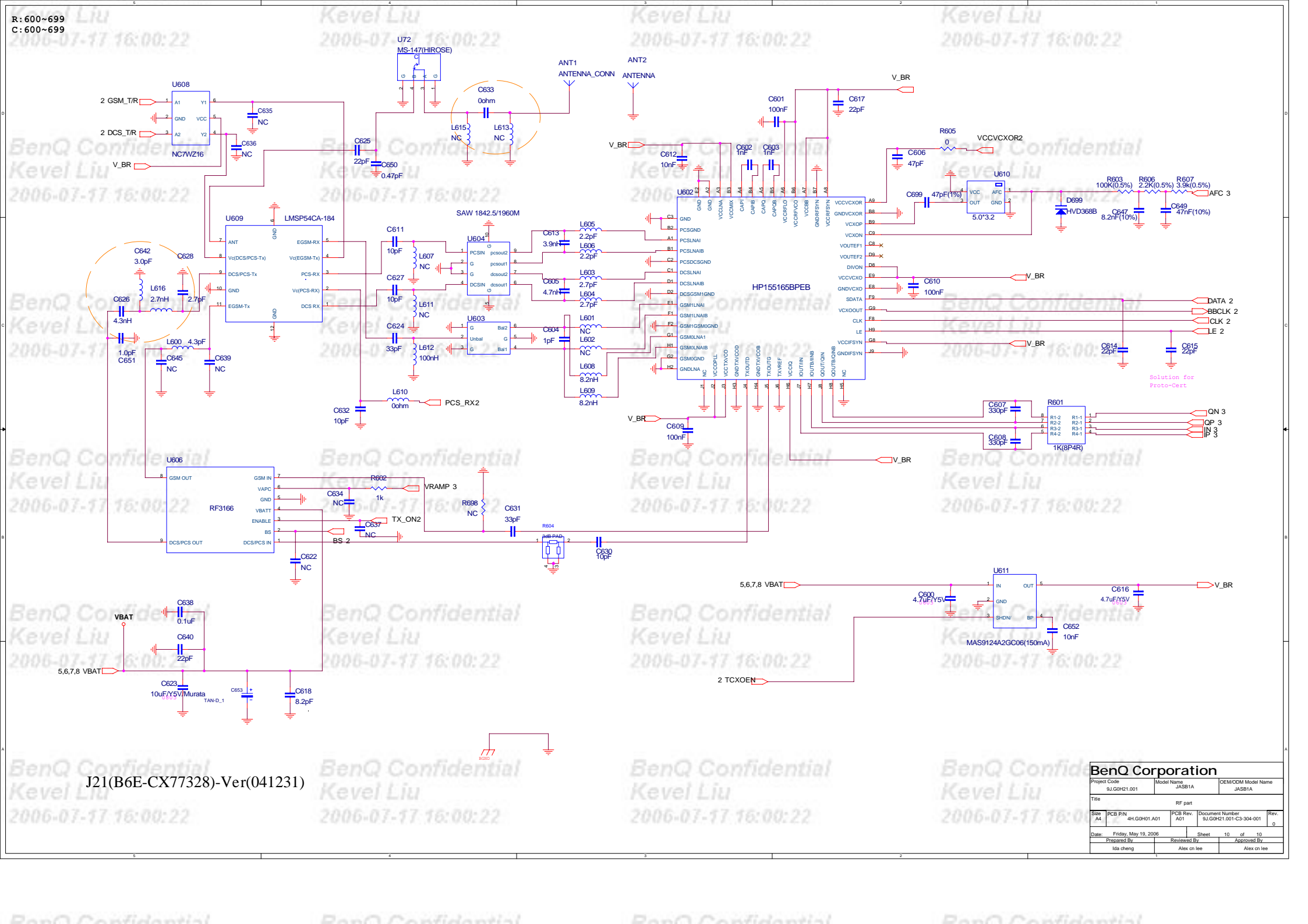
R: 450~499
C: 450~499

For BMS power on (reserved)



After ACCESSORY_IN detect L
Then EARPHONE_IN (ADIN3) monitor the Voltage
If 0.8V < ADIN3 < 1.2V Define : Handsfree
0.5V < ADIN3 < 0.65V Define : DataCable

| | | | | |
|-------------------------|----------------------|--------------------|-------------------------|-------|
| BenQ Corporation | | | | |
| Project Code | Model Name | OEM/ODM Model Name | | |
| 9J.G0H21.001 | JASB1A | JASB1A | | |
| Title: RS232&HANDFREE | | | | |
| Size | PCB P/N | PCB Rev. | Document Number | Rev. |
| A4 | 4H.G0H01.A01 | A01 | 9J.G0H21.001-C3-304-001 | 0 |
| Date: | Friday, May 19, 2006 | Sheet | 9 | of 10 |
| Prepared By | Reviewed By | Approved By | | |
| Ida cheng | Alex cn lee | Alex cn lee | | |



J21(B6E-CX77328)-Ver(041231)

| BenQ Corporation | | | |
|----------------------|--------------|--------------------|-------------------------|
| Project Code | Model Name | OEM/ODM Model Name | |
| 9J.G0H21.001 | JASB1A | JASB1A | |
| Title RF part | | | |
| Size | PCB P/N | PCB Rev. | Document Number |
| A4 | 4H.G0H01.A01 | A01 | 9J.G0H21.001-C3-304-001 |
| Date | Prepared By | Reviewed By | Approved By |
| Friday, May 19, 2006 | ida cheng | Alex on lee | Alex on lee |
| Sheet | 10 | of | 10 |