

Proprietary data, company confidential.
All rights reserved

Als Betriebsgeheimnis anvertraut
Alle Rechte vorbehalten

1	2	3	4	5
HIERARCHY		SHEET		PDF-SHEET
A5B00900206393-34249-ECM34975		index		sheet 1
		netlist1		sheet 2
		poslist1		sheet 3
		page1		----
		sheet1		sheet 4
		sheet2		sheet 5
		sheet3		sheet 6
		sheet4		sheet 7
		sheet5		sheet 8
		sheet6		sheet 9
		sheet7		sheet 10
		sheet8		sheet 11
		sheet9		sheet 12
		sheet10		sheet 13

				DATE	15.12.2005	Finch Assembled AMD Variant1 B2P Layout (CR 8985) TOP HIERARCHY LEVEL SCHEMATIC	1:1
				USER	ZX		
				APPR'D			
				COM MD PD HW			
				Siemens AG		243154	index
2	34975	03.01.2006	ZX				
1	34250	14.12.2005	ZX				
VERS.	CHANGE NUMBER	DATE	NAME	(Created by BOM number: A5B00900206395-34975)			

Proprietary data, company confidential.
All rights reserved

Als Betriebsgeheimnis anvertraut
Alle Rechte vorbehalten

	1	2	3	4	5	6	7	8	9	10	
A	1.5V /sheet7 14 B /sheet5 2 C	/sheet5 14 D /sheet10 7 E	/sheet7 8 G /sheet7 10 G /sheet7 9 G	/sheet3 14 D KB5 /sheet5 8 E /sheet3 14 E	/sheet5 1 D MICP2 /sheet8 9 E /sheet5 4 A /sheet5 1 D	/sheet4 2 B RF_Q /sheet1 6 B /sheet5 1 E /sheet4 4 B /sheet4 2 B	/sheet7 7 B /sheet5 8 D STEPUP_SHUD /sheet7 7 G /sheet5 15 E	/sheet1 7 E /sheet7 14 B /sheet4 4 E /sheet4 2 E	WA_DOG /sheet7 6 C /sheet5 10 C		A
B	1.5V_DSP /sheet5 4 C	CCIO /sheet5 14 D /sheet10 7 E	/sheet7 11 F /sheet7 7 F /sheet7 8 F /sheet7 7 G	KB6 /sheet5 8 E /sheet3 14 C	MON1 /sheet5 9 F	RF_QX /sheet1 6 B /sheet5 1 E /sheet4 4 B /sheet4 2 B	TBAT /sheet5 11 A /sheet5 1 E	VDD_RTC /sheet7 14 B /sheet7 7 C /sheet5 4 C /sheet5 9 C	WR /sheet6 15 E /sheet6 11 C /sheet6 6 C /sheet6 6 D /sheet5 10 F		B
C	1.5V_MAIN /sheet5 3 C	CCRST /sheet5 14 D /sheet10 7 E	GSM_TX /sheet1 1 F /sheet1 7 A	KB7 /sheet7 7 C /sheet5 7 E /sheet3 14 C	MON2 /sheet5 9 F /page1 3 A	RF_RAMP1 /sheet1 5 G /sheet5 6 C /sheet4 4 C /sheet4 2 C	TCK /sheet5 9 F /page1 3 B	VDD_SIM /sheet5 15 D /sheet5 4 C			C
D	A(0) /sheet6 11 C /sheet6 6 D	CCVCC /sheet7 14 B /sheet10 7 F	HF_OUT /sheet1 9 G	KB8 /sheet7 7 C /sheet5 7 E /sheet3 14 C	OEN /sheet5 10 F	RF_SIN26M /sheet1 7 D /sheet5 11 C /sheet4 4 C /sheet4 2 C	TDI /sheet5 9 F /page1 3 B	VDIG_2.65V /sheet8 11 F /sheet7 11 C /sheet7 2 F /sheet7 2 G /sheet7 14 B /sheet5 10 A /sheet5 10 B /sheet5 13 B /sheet5 4 C /page1 2 B /page1 2 B			D
E	A(0:23) /sheet6 15 E /sheet6 3 D /sheet6 8 D /sheet5 13 F	CHARGE_UC /sheet7 10 C /sheet6 15 F /sheet5 14 D	HF_OUT1 /sheet1 11 G /sheet4 10 E /sheet4 2 F /sheet2 5 D	KB9 /sheet5 8 E /sheet3 14 C	RD /sheet6 15 E /sheet6 11 D /sheet6 6 C /sheet6 6 D /sheet5 10 F	RF_STR /sheet1 9 D /sheet5 14 E /sheet4 4 A /sheet4 2 A	TMS /sheet5 9 F /page1 3 C	TRIGIN /sheet6 15 F /sheet5 9 F	VEBU_1.8 /sheet7 5 E /sheet6 6 F		E
	A(23) /sheet5 8 E	CS_FLASH_1 /sheet6 15 E /sheet6 11 C /sheet6 6 C /sheet5 10 F	HW_CODING1 /sheet5 12 B /sheet5 8 D	KP_7 /sheet5 8 E	RESET_UC /sheet7 11 C /sheet6 7 F /sheet6 11 C /sheet5 12 C	RF_TXONPA /sheet1 5 F /sheet5 8 E /sheet4 4 D /sheet4 2 D	TRIGOUT /sheet6 15 F /sheet5 9 F	VEBU_1.8FLASH /sheet6 8 F /sheet6 7 E /sheet6 9 C			
	AC_D+_RTS /sheet8 15 F /sheet5 9 C	CS_SRAM /sheet6 15 E /sheet6 11 D /sheet6 6 D /sheet5 10 F	HW_CODING2 /sheet5 12 B /sheet5 14 E	LCD_CLK /sheet8 10 A /sheet5 9 C /sheet4 11 C /sheet4 14 C	RF_AFC /sheet5 10 C /sheet4 4 C /sheet4 2 C	RINGIN /sheet7 7 E /sheet5 10 C	TTRACE /sheet5 13 D	VEBU_2.9 /sheet8 10 B /sheet7 5 F /sheet6 7 F /sheet6 2 C /sheet6 3 C /sheet5 4 B /sheet5 11 G /sheet5 13 B /sheet5 4 C /sheet4 11 B /sheet4 14 B			
	AC_D-_CTS /sheet8 15 E /sheet5 9 C	D(0:15) /sheet6 15 B /sheet6 7 D /sheet6 12 D /sheet5 12 C	HW_CODING3 /sheet5 12 B /sheet5 14 E	LCD_CS /sheet8 10 A /sheet5 10 C /sheet4 14 C /sheet4 11 C	RF_BAND_SW /sheet1 5 F /sheet5 8 D /sheet4 4 F /sheet4 2 F	RX /sheet8 9 E	TRST /sheet5 9 F /page1 3 C	VEBU_2.9FLASH /sheet6 11 C /sheet6 6 D /sheet6 8 C /sheet6 12 E /sheet6 3 C			
	AC_RX /sheet8 15 E /sheet5 9 C	D+_RTS /sheet8 9 E	HW_CODING4 /sheet5 8 D /sheet5 12 A	LCD_DAT /sheet8 10 B /sheet5 9 C /sheet4 14 C /sheet4 11 C	RF_ANT_DET /sheet5 14 D /sheet4 4 D /sheet4 2 D /sheet2 7 D	RX1 /sheet1 8 B /sheet1 9 G	TVCO /sheet1 2 C /sheet5 14 A /sheet5 1 D /sheet4 4 D /sheet4 2 D	VEBU_2.9PSRAM /sheet6 12 B /sheet6 5 C			
	AC_TX /sheet8 15 E /sheet5 9 C	D-_CTS /sheet8 9 E	HW_CODING5 /sheet5 10 C /sheet5 9 C /sheet5 15 B	LCD_RESET /sheet8 10 A /sheet5 10 C /sheet4 14 C /sheet4 11 C	RF_CLK /sheet1 9 D /sheet5 14 F /sheet4 4 A /sheet4 2 A	RX2 /sheet1 8 C /sheet1 7 G	VBOOST /sheet8 10 B /sheet7 10 F	VIBRA_UC /sheet9 10 B /sheet5 14 D			
	AGND /sheet5 5 G /sheet5 4 F /sheet5 5 F /sheet5 3 G	DCS_TX /sheet1 1 F /sheet1 7 A	HW_CODING6 /sheet5 10 F /sheet5 10 G /sheet5 15 B	LIGHT_1 /sheet8 10 A /sheet5 10 C /sheet4 14 C /sheet4 11 C	RF_FE_DTR_DCS /sheet1 9 F /sheet5 8 D /sheet4 4 C /sheet4 2 C	RX3 /sheet1 8 C /sheet1 7 G	VDDA_2.65V /sheet8 3 B /sheet7 14 B /sheet7 10 C /sheet5 5 C	VMIC /sheet5 5 A /sheet5 4 A			
	AKKU_TYP /sheet8 3 B /sheet5 11 A	EPN1 /sheet9 6 G /sheet7 13 D	I2C_CLK /sheet7 10 C /sheet5 9 C	LIGHT_DISP /sheet8 10 B /sheet4 11 C /sheet4 14 C /sheet10 7 B	RF_FE_DTR_GSM /sheet1 9 F /sheet5 8 E /sheet4 4 C /sheet4 2 C	RX4 /sheet1 8 C /sheet1 7 G	VDD_CHARGE /sheet7 5 B /sheet7 7 C	VREGA /sheet7 7 E /sheet7 10 D /sheet7 8 E			
	AUDIO_L /sheet8 9 F /sheet7 13 D	EPN1_FIL /sheet7 4 D /sheet5 8 A /sheet5 6 D	I2C_IRQ /sheet7 10 C /sheet6 15 F /sheet5 11 D	LIGHT_KB /sheet5 15 E /sheet10 9 B	RF_I /sheet1 6 B /sheet5 1 E /sheet4 4 B /sheet4 2 B	RX4X /sheet1 8 C /sheet1 7 G	VDD_RF1 /sheet1 7 A /sheet1 5 C /sheet1 5 C /sheet7 14 B /sheet4 4 E /sheet4 2 E /sheet2 10 D				
	AUDIO_R /sheet8 9 E /sheet7 13 D	EPP1 /sheet9 6 F /sheet7 13 D	I2C_SCA0 /sheet7 7 E /sheet5 15 E	LIGHT_LCD /sheet5 11 C /sheet10 5 B	RF_IX /sheet1 6 B /sheet5 1 E /sheet4 4 B /sheet4 2 B	SENSE /sheet7 5 C /sheet7 8 A	VDD_RF2 /sheet1 9 B /sheet1 7 A				
	BATT+ /sheet1 1 G /sheet9 10 B /sheet8 4 B /sheet7 1 F /sheet7 7 D /sheet7 7 A /sheet7 5 B /sheet7 6 F /sheet5 9 A /sheet4 11 D /sheet4 14 D /sheet10 9 E	EPP1_FIL /sheet7 4 D /sheet5 8 A /sheet5 6 E	I2C_SDA0 /sheet7 7 E /sheet5 15 E	MICN1 /sheet9 5 B /sheet5 3 B /sheet5 1 D	SLEEPQ /sheet1 6 B /sheet5 1 E /sheet4 4 B /sheet4 2 B						
	BHE /sheet6 15 E /sheet6 11 C /sheet6 6 C /sheet5 10 F	GND_MIC /sheet9 4 C /sheet8 9 E /sheet5 4 G /sheet5 4 B /sheet5 1 B /sheet5 4 B /sheet5 6 A /sheet5 6 C	KB2 /sheet5 8 E /sheet3 14 E	MICN2 /sheet5 4 A /sheet5 1 D							
	BREF /sheet5 15 A /sheet5 1 E	KB3 /sheet5 8 E /sheet3 14 D	KB0 /sheet5 8 E /sheet3 14 D	MICP1 /sheet9 5 B /sheet5 3 B							
	CCCLK	GND_STEPUP /sheet5 8 E	KB4 /sheet5 8 E	MICP2 /sheet5 3 B							

DATE	15.12.2005	Finch Assembled AMD Variant1 B2P Layout (CR 8985) TOP HIERARCHY LEVEL SCHEMATIC	1:1			
USER	ZX					
APPR'D						
COM MD PD HW						
2	34975	03.01.2006	ZX	Siemens AG	243154	netlist1
1	34250	14.12.2005	ZX			
VERS.	CHANGE NUMBER	DATE	NAME	(Created by BOM number: A5B00900206395-34975)		

Proprietary data, company confidential.
All rights reserved

Als Betriebsgeheimnis anvertraut
Alle Rechte vorbehalten

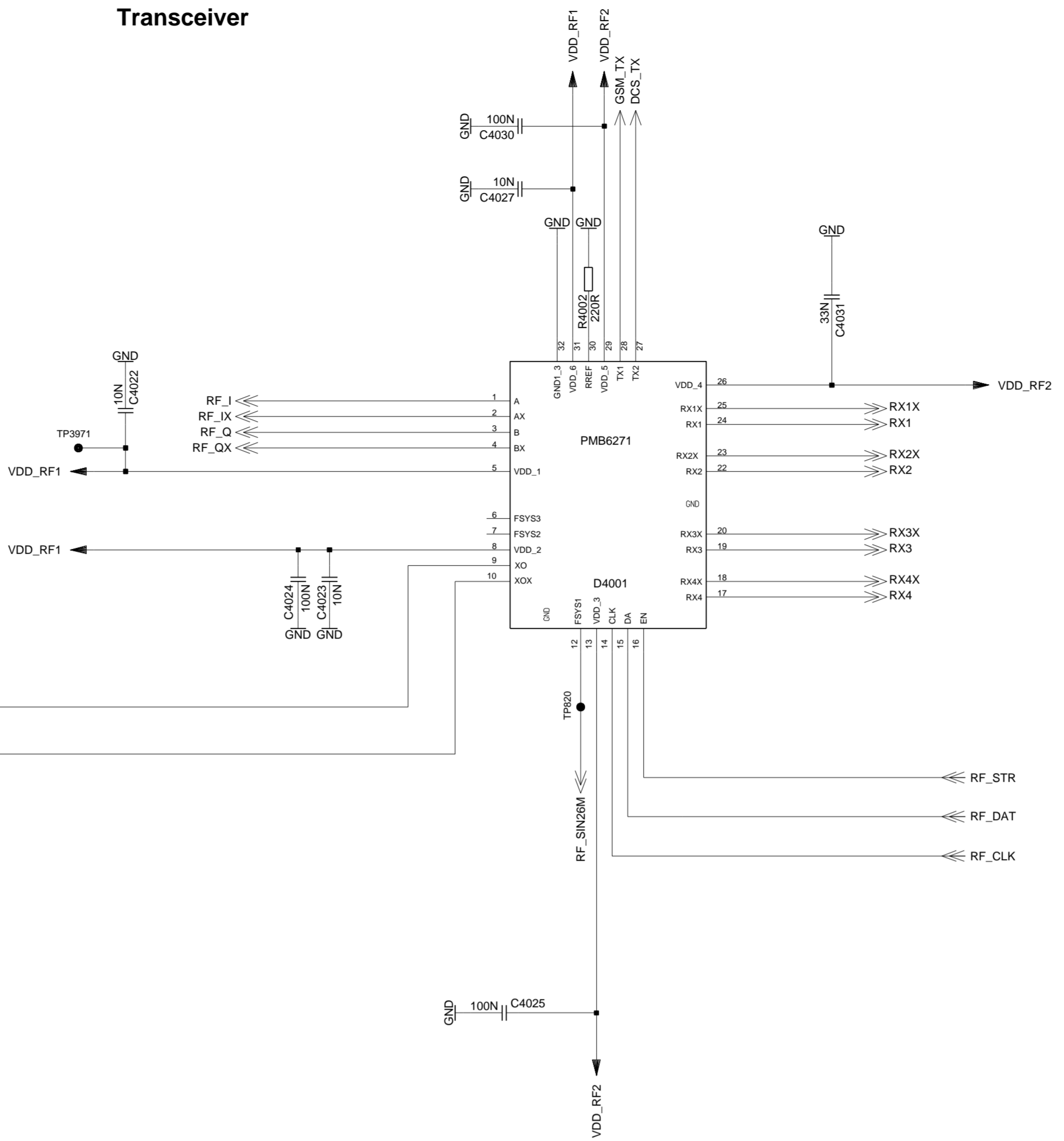
	1	2	3	4	5	6	7	8	9	10
A	C3 /sheet7 2 E	C351 /sheet7 5 B	C4071 /sheet1 9 F	R212 /sheet8 5 F	TP158 /sheet5 4 C					
	C5 /sheet7 4 F	C353 /sheet7 5 C	C4072 /sheet1 9 F	R213 /sheet8 6 F	TP153 /sheet5 9 F					
	C6 /sheet7 4 F	C354 /sheet7 5 C	C4073 /sheet1 9 G	R220 /sheet9 10 C	TP155 /sheet5 9 F					
	C101 /sheet5 2 B	C359 /sheet7 7 E	C4074 /sheet1 9 G	R221 /sheet10 10 B	TP157 /sheet5 7 E					
	C102 /sheet5 3 B	C360 /sheet7 7 E	C4086 /sheet1 4 G	R222 /sheet8 4 F	TP152 /sheet5 9 F					
	C103 /sheet5 3 B	C361 /sheet7 7 E	C4087 /sheet1 4 G	R223 /sheet8 5 F	TP132 /sheet5 10 A					
	C104 /sheet5 4 B	C362 /sheet7 7 B	C4089 /sheet1 2 G	R241 /sheet9 4 B	TP131 /sheet5 14 A					
	C105 /sheet5 12 C	C363 /sheet7 9 B	C4090 /sheet1 2 G	R242 /sheet9 4 B	TP156 /sheet5 9 F					
	C106 /sheet5 6 A	C364 /sheet7 7 B	C4091 /sheet1 4 G	R271 /sheet3 12 B	TP281 /sheet10 11 B					
	C107 /sheet5 6 A	C366 /sheet7 7 B	C4093 /sheet1 6 H	R272 /sheet3 12 B	V151 /sheet5 8 E					
	C108 /sheet5 1 D	C367 /sheet7 7 B	C4094 /sheet1 6 H	R273 /sheet3 12 B	V211 /sheet9 11 B					
	C110 /sheet5 1 D	C368 /sheet7 12 B	C4095 /sheet1 6 G	R274 /sheet3 13 B	V220 /sheet9 11 B					
	C111 /sheet5 1 D	C369 /sheet7 12 B	C4096 /sheet1 6 G	R281 /sheet10 10 B	V222-2 /sheet10 10 B					
	C113 /sheet5 1 D	C370 /sheet7 12 B	C5001 /sheet1 2 G	R287 /sheet10 11 E	V286 /sheet10 11 F					
	C114 /sheet5 7 A	C371 /sheet7 12 B	C5081 /sheet1 2 F	R288 /sheet10 12 E	V287 /sheet10 12 F					
	C115 /sheet5 7 A	C372 /sheet7 13 B	C5082 /sheet1 2 F	R289 /sheet10 13 E	V288 /sheet10 13 F					
	C116 /sheet5 9 A	C373 /sheet7 13 B	C5083 /sheet1 2 F	R290 /sheet10 13 E	V289 /sheet10 13 F					
	C131 /sheet5 13 A	C374 /sheet7 13 B	C5084 /sheet1 2 F	R291 /sheet10 14 E	V290 /sheet10 14 F					
	C132 /sheet5 9 A	C375 /sheet7 7 C	C5085 /sheet1 2 F	R292 /sheet10 15 E	V291 /sheet10 15 F					
	C151 /sheet5 2 D	C376 /sheet7 6 D	D171-1 /sheet5 2 E	R293 /sheet10 11 F	V361-2 /sheet7 4 C					
	C152 /sheet5 4 C	C377 /sheet7 9 D	D171-2 /sheet5 13 F	R295 /sheet10 10 E	V361-1 /sheet7 3 C					
	C153 /sheet5 6 C	C378 /sheet7 7 C	D204 /sheet6 10 E	R296 /sheet10 7 E	V1303 /sheet7 9 F					
	C154 /sheet5 6 C	C379 /sheet7 10 D	D205 /sheet6 5 E	R352 /sheet7 5 C	V1400 /sheet8 3 B					
	C155 /sheet5 5 C	C380 /sheet7 6 D	D361 /sheet7 8 E	R361 /sheet7 2 C	V2302 /sheet10 6 B					
	C156 /sheet5 6 C	C381 /sheet7 5 D	D4001 /sheet1 7 C	R362 /sheet7 3 C	X1 /sheet9 1 G					
	C157 /sheet5 4 C	C382 /sheet7 5 D	L214 /sheet8 8 F	R363 /sheet7 4 C	X100 /sheet5 2 G					
	C158 /sheet5 4 C	C383 /sheet7 10 D	L215 /sheet8 8 E	R364 /sheet7 4 D	X211 /sheet8 2 F					
	C159 /sheet5 7 C	C384 /sheet7 5 D	L216 /sheet8 6 E	R365 /sheet7 4 D	X300 /sheet1 9 H					
	C160 /sheet5 10 C	C385 /sheet7 9 E	L217 /sheet8 6 E	R366 /sheet7 5 D	X1400 /sheet8 2 B					
	C161 /sheet5 4 D	C386 /sheet7 7 E	L1302 /sheet7 9 F	R367 /sheet7 14 C	X1603 /sheet10 3 E					
	C162 /sheet5 1 D	C389 /sheet7 11 E	L1303 /sheet7 7 F	R368 /sheet7 9 B	X2200 /sheet8 9 C					
	C163 /sheet5 6 C	C390 /sheet7 12 E	L3801 /sheet2 9 D	R371 /sheet7 7 C	X2202 /sheet8 7 A					
	C164 /sheet5 6 E	C392 /sheet7 12 E	L3802 /sheet2 10 D	R372 /sheet7 10 E	X3800 /sheet2 8 D					
	C165 /sheet5 8 C	C393 /sheet7 12 E	L3803 /sheet2 10 D	R373 /sheet7 3 B	X3802 /sheet2 11 E					
	C166 /sheet5 1 D	C395 /sheet7 13 B	L3804 /sheet2 11 D	R390 /sheet7 9 C	X3803 /sheet3 7 F					
	C167 /sheet5 2 D	C396 /sheet7 10 E	L4071 /sheet1 9 G	R391 /sheet7 10 C	X3804 /sheet3 8 F					
	C168 /sheet5 3 D	C397 /sheet7 11 E	N307 /sheet7 2 E	R395 /sheet7 7 C	Z171 /sheet5 11 C					
	C169 /sheet5 11 C	C398 /sheet7 14 C	N308 /sheet7 2 G	R396 /sheet7 10 C	Z211 /sheet8 11 F					
	C170 /sheet5 2 D	C399 /sheet7 11 C	N1304 /sheet7 8 G	R397 /sheet7 7 B	Z1601 /sheet10 4 E					
	C172 /sheet5 11 C	C907 /sheet1 2 G	N4071 /sheet1 8 G	R500 /page1 3 A	Z5001 /sheet1 3 D					
	C173 /sheet5 11 C	C913 /sheet1 1 G	N4072 /sheet1 8 F	R1340 /sheet7 10 F						
	C174 /sheet5 2 D	C1335 /sheet7 6 F	N4089 /sheet1 2 F	R1341 /sheet7 10 F						
	C175 /sheet5 4 C	C1336 /sheet7 8 F	R101-2 /sheet5 2 A	R1342 /sheet7 8 G						
	C176 /sheet5 5 D	C1337 /sheet7 6 F	R101-1 /sheet5 3 A	R1343 /sheet7 11 F						
	C177 /sheet6 4 B	C1339 /sheet7 7 F	R102-2 /sheet5 4 A	R1614 /sheet10 7 F						
	C179 /sheet7 10 F	C1356 /sheet7 10 F	R102-1 /sheet5 4 A	R1703 /sheet9 5 F						
	C180 /sheet8 7 E	C1357 /sheet7 10 F	R103 /sheet5 2 B	R1704 /sheet9 6 F						
	C200 /sheet6 3 B	C1358 /sheet7 10 F	R104 /sheet5 4 B	R1705 /sheet9 12 B						
	C201 /sheet6 9 B	C1400 /sheet8 3 B	R105 /sheet5 6 A	R2201 /sheet5 10 C						
	C202 /sheet6 9 B	C1402 /sheet8 4 B	R111 /sheet5 1 E	R2202 /sheet5 9 C						
	C204 /sheet7 2 G	C1405 /sheet8 4 B	R131 /sheet5 11 B	R2203 /sheet5 9 C						
	C205 /sheet6 4 C	C1426 /sheet8 2 B	R132 /sheet5 11 B	R2204 /sheet5 9 C						
	C207 /sheet6 3 B	C1604 /sheet10 7 G	R133 /sheet5 11 B	R2310 /sheet10 5 B						
	C209 /sheet6 3 B	C1605 /sheet10 7 G	R134 /sheet5 11 B	R2311 /sheet10 6 C						
	C213 /sheet8 9 F	C1606 /sheet10 6 E	R135 /sheet5 12 B	R2312 /sheet10 6 C						
	C214 /sheet8 9 F	C1705 /sheet9 4 F	R136 /sheet5 12 B	R3801 /sheet2 9 D						
	C215 /sheet8 11 F	C1706 /sheet9 5 F	R137 /sheet5 11 A	R3802 /sheet2 9 D						
	C216 /sheet8 8 F	C1707 /sheet9 6 G	R138 /sheet5 12 B	R4001 /sheet1 2 D						
	C217 /sheet8 7 F	C1708 /sheet9 5 F	R139 /sheet5 6 E	R4002 /sheet1 7 B						
	C218 /sheet8 6 E	C1709 /sheet9 5 F	R140 /sheet5 15 D	R4071 /sheet1 6 G						
	C219 /sheet8 10 F	C2200 /sheet8 9 B	R141 /sheet5 10 A	R4072 /sheet1 6 H						
	C220 /sheet6 8 C	C2201 /sheet8 9 B	R143 /sheet5 9 A	R4073 /sheet1 5 G						
	C221 /sheet8 7 F	C2202 /sheet8 9 B	R144 /sheet5 14 B	R5073 /sheet1 4 F						
	C222 /sheet8 7 F	C2203 /sheet8 8 B	R145 /sheet5 14 B	TP3971 /sheet1 5 B						
	C223 /sheet8 6 F	C2204 /sheet8 8 B	R146 /sheet5 9 B	TP820 /sheet1 7 C						
	C224 /sheet9 11 B	C2231 /sheet8 9 B	R147 /sheet5 10 G	TP900 /sheet1 4 F						
	C225 /sheet9 10 C	C2232 /sheet8 10 B	R148 /sheet5 14 B	TP215 /sheet8 5 E						
	C226 /sheet9 11 C	C2233 /sheet8 9 B	R149 /sheet5 14 B	TP214 /sheet8 5 E						
	C227 /sheet8 8 F	C2235 /sheet8 10 B	R151 /sheet5 3 C	TP2201 /sheet8 10 B						
	C228 /sheet7 2 G	C2320 /sheet10 5 B	R152 /sheet5 3 C	TP213 /sheet8 5 E						
	C229 /sheet6 12 C	C3804 /sheet12 10 D	R153 /sheet5 4 C	TP371 /sheet7 10 C						
	C230 /sheet7 4 G	C3805 /sheet12 9 E	R156 /sheet5 11 G	TP374 /sheet7 10 F						
	C231 /sheet8 7 E	C3806 /sheet12 9 D	R158 /sheet5 8 C	TP370 /sheet7 10 C						
	C232 /sheet8 8 E	C3807 /sheet12 10 C	R159 /sheet5 10 C	TP366 /sheet7 14 B						
	C236 /sheet7 1 G	C3808 /sheet12 11 C	R160 /sheet5 6 D	TP364 /sheet7 5 E						
	C238 /sheet9 10 B	C3815 /sheet12 9 E	R161 /sheet5 10 C	TP368 /sheet7 14 B						
	C239 /sheet9 11 B	C4003 /sheet1 7 D	R162 /sheet5 15 D	TP362 /sheet7 10 B						
	C240 /sheet6 7 F	C4004 /sheet1 8 D	R168 /sheet5 13 A	TP363 /sheet7 14 B						
	C241 /sheet9 3 B	C4005 /sheet1 8 D	R169 /sheet5 14 A	TP367 /sheet7 14 B						
	C242 /sheet9 3 B	C4022 /sheet1 5 B	R170 /sheet5 14 E	TP365 /sheet7 7 C						
	C243 /sheet9 3 C	C4023 /sheet1 6 C	R203 /sheet6 7 F	TP369 /sheet7 14 B						
	C244 /sheet9 3 B	C4024 /sheet1 6 C	R206 /sheet6 8 C	TP361 /sheet7 2 C						
	C281 /sheet10 11 B	C4025 /sheet1 7 D	R207 /sheet6 12 C	TP134 /sheet6 8 C						
	C295 /sheet10 15 E	C4027 /sheet1 7 B	R208 /sheet6 7 F	TP151 /sheet5 9 F						
	C302 /sheet7 12 D	C4028 /sheet1 7 A	R209 /sheet6 3 C	TP150 /sheet5 9 F						
	C304 /sheet7 12 D	C4030 /sheet1 7 A	R210 /sheet6 4 C	TP154 /sheet5 9 F						
	C350 /sheet7 5 B	C4031 /sheet1 8 B	R211 /sheet8 5 F	TP110 /sheet5 13 A						
B										
C										
D										
E										

DATE	15.12.2005	Finch Assembled AMD Variant1 B2P Layout (CR 8985) TOP HIERARCHY LEVEL SCHEMATIC		1:1
USER	ZX			
APPR'D				
COM MD PD HW				
VERS.	CHANGE NUMBER	DATE	NAME	
2	34975	03.01.2006	ZX	Siemens AG
1	34250	14.12.2005	ZX	Siemens AG
				243154
				poslist1
(Created by BOM number: A5B00900206395-34975)				

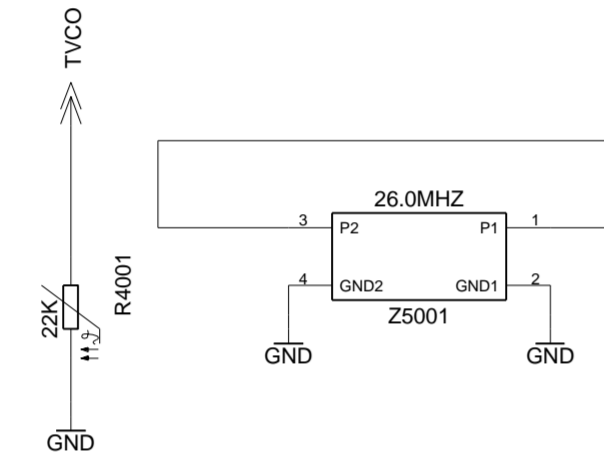
RF_SD2_AGILENT-PA

4001-4099

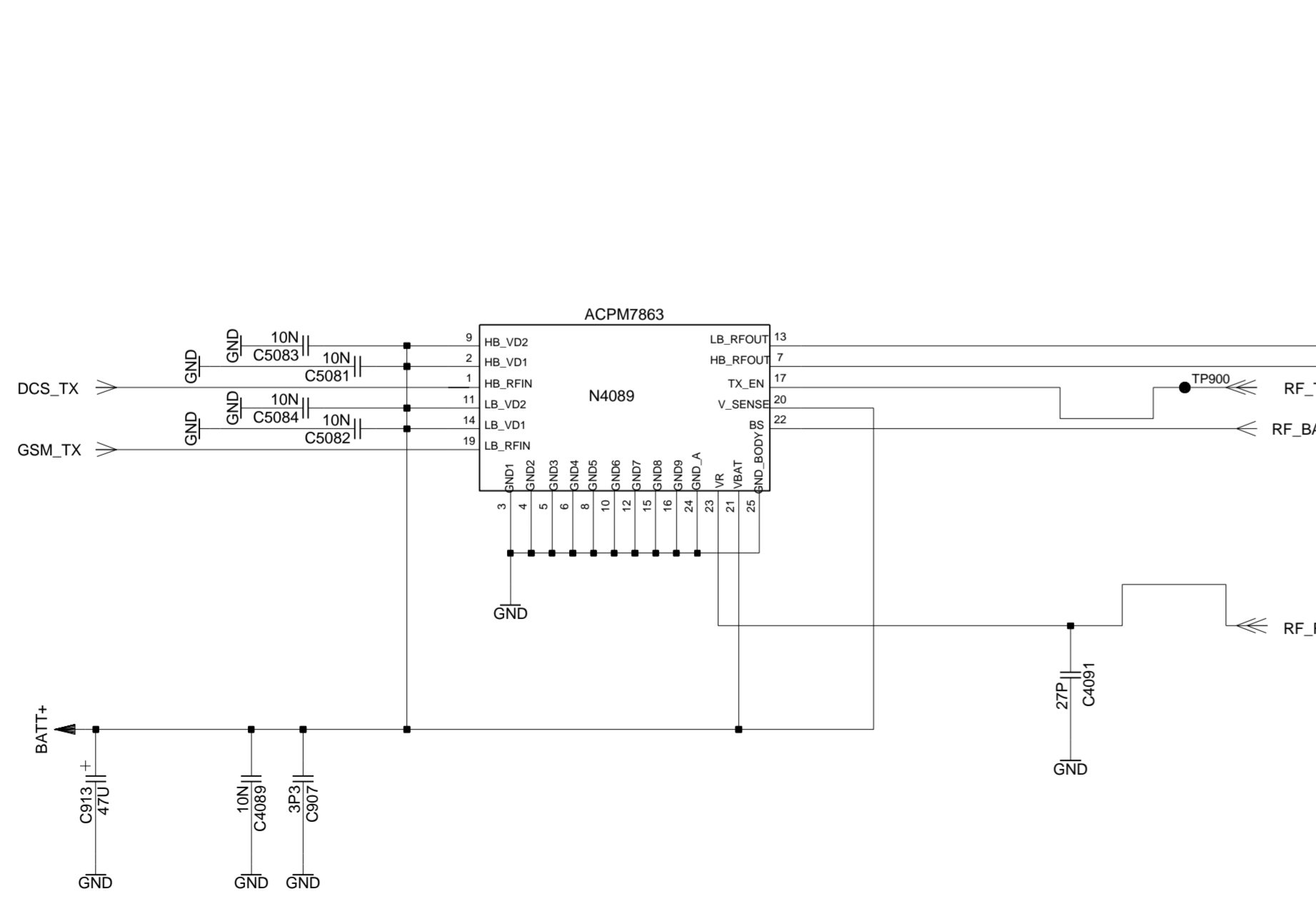
Transceiver



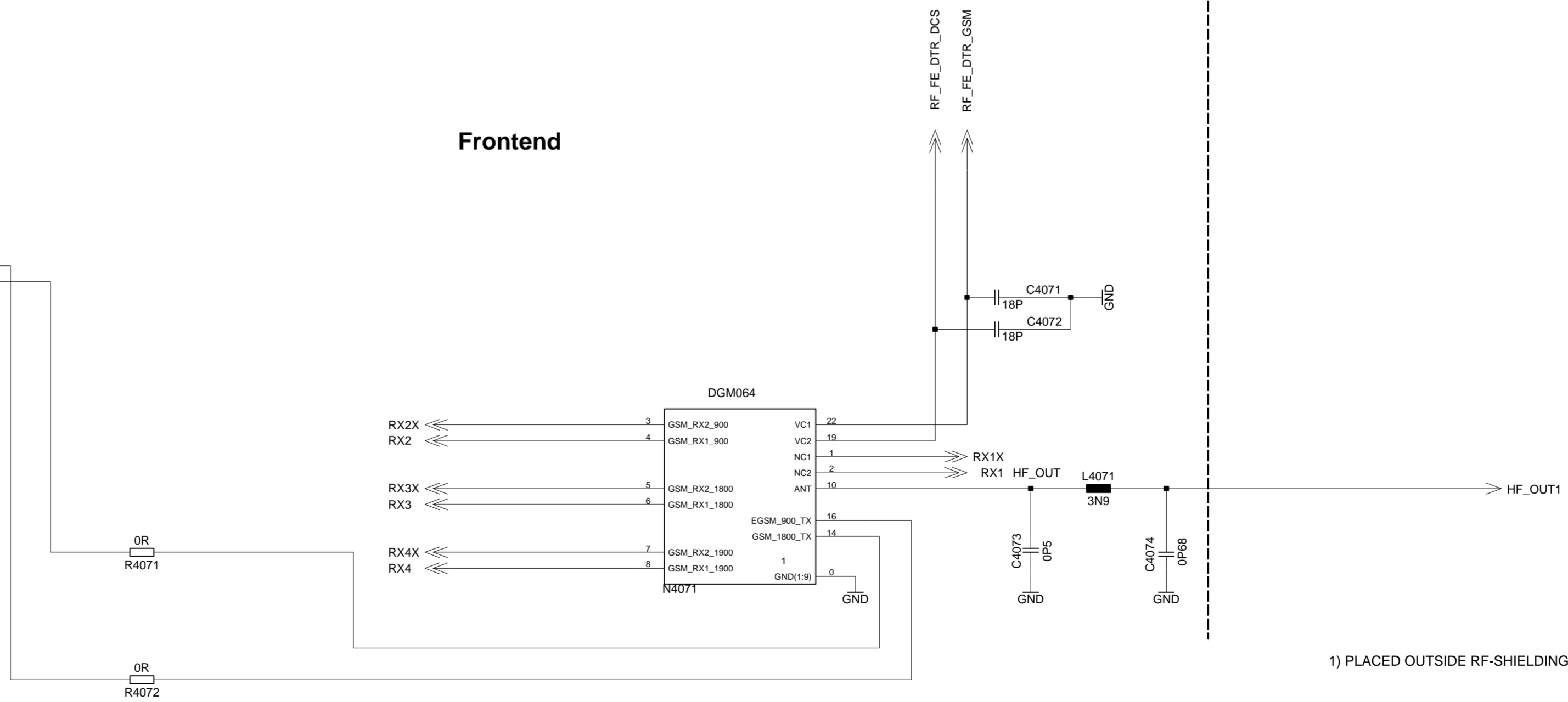
Oscillator



PA



Frontend



Antenna

1) PLACED OUTSIDE RF-SHIELDING NB = nicht bestueckt NG = keine Sachnummer

Sin nuestra expresa autorización, queda terminantemente prohibida la reproducción total o parcial de este documento, así como su uso indebido y/o su explotación o comunicación terceros. De los infractores se exigirá el correspondiente resarcimiento de daños y perjuicios. Se reserva todos los derechos para el caso de la concesión de patentes de invención o el registro de Modelos Industriales.

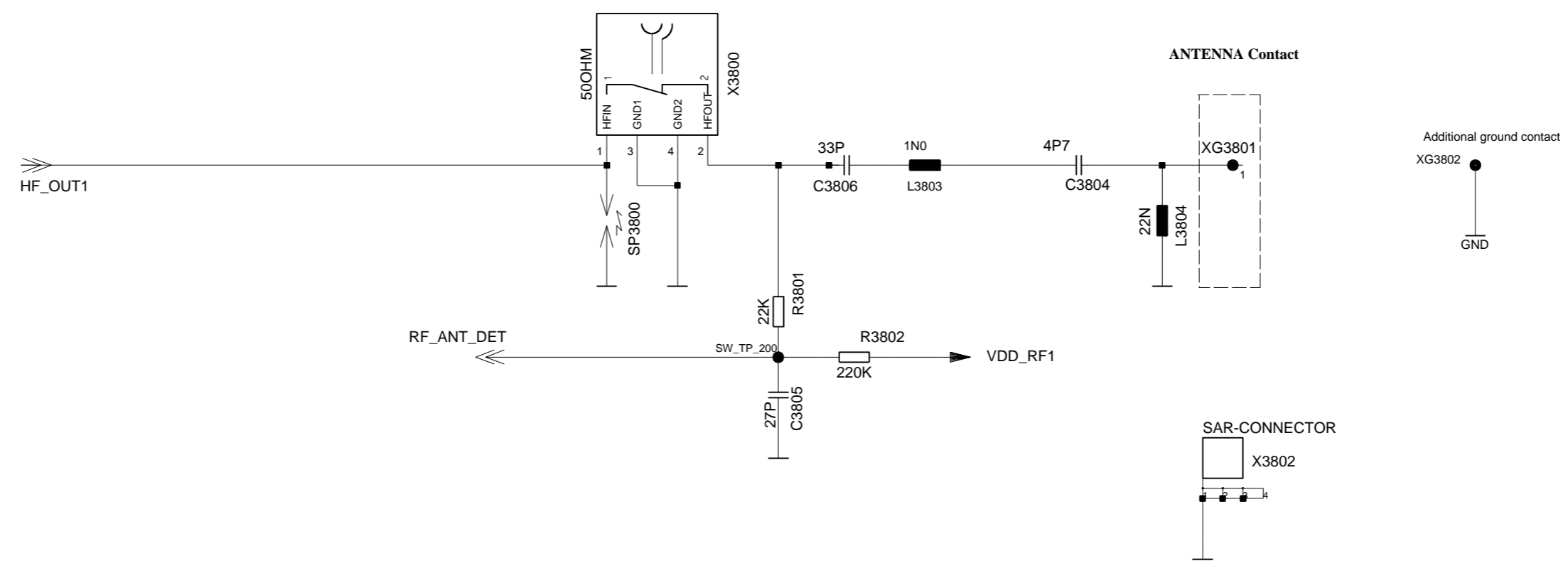
Without the express authorization, the reproduction of this document and its use for communication of the contents thereof, are forbidden without express authority. Offenders are liable to the payment of damages. All rights are reserved in the event of the grant of a Patent or the registration of a Utility Model or Design.

Wiedergabe sowie Vervielfältigung dieses Urtextes, Verwertung und Mitteilung ihres Inhalts ist ohne schriftliche Genehmigung ausdrücklich untersagt. Zuwiderhandlungen verpflichten zu Schadenersatz. Alle Rechte für den Fall der Patentierung oder G.M.-Eintragung vorbehalten.

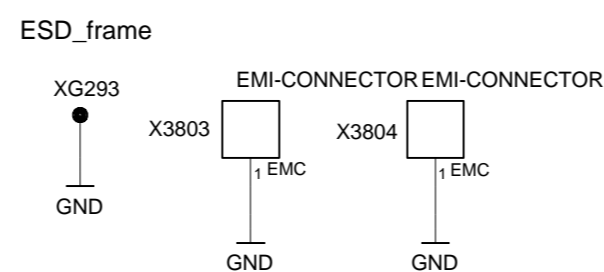
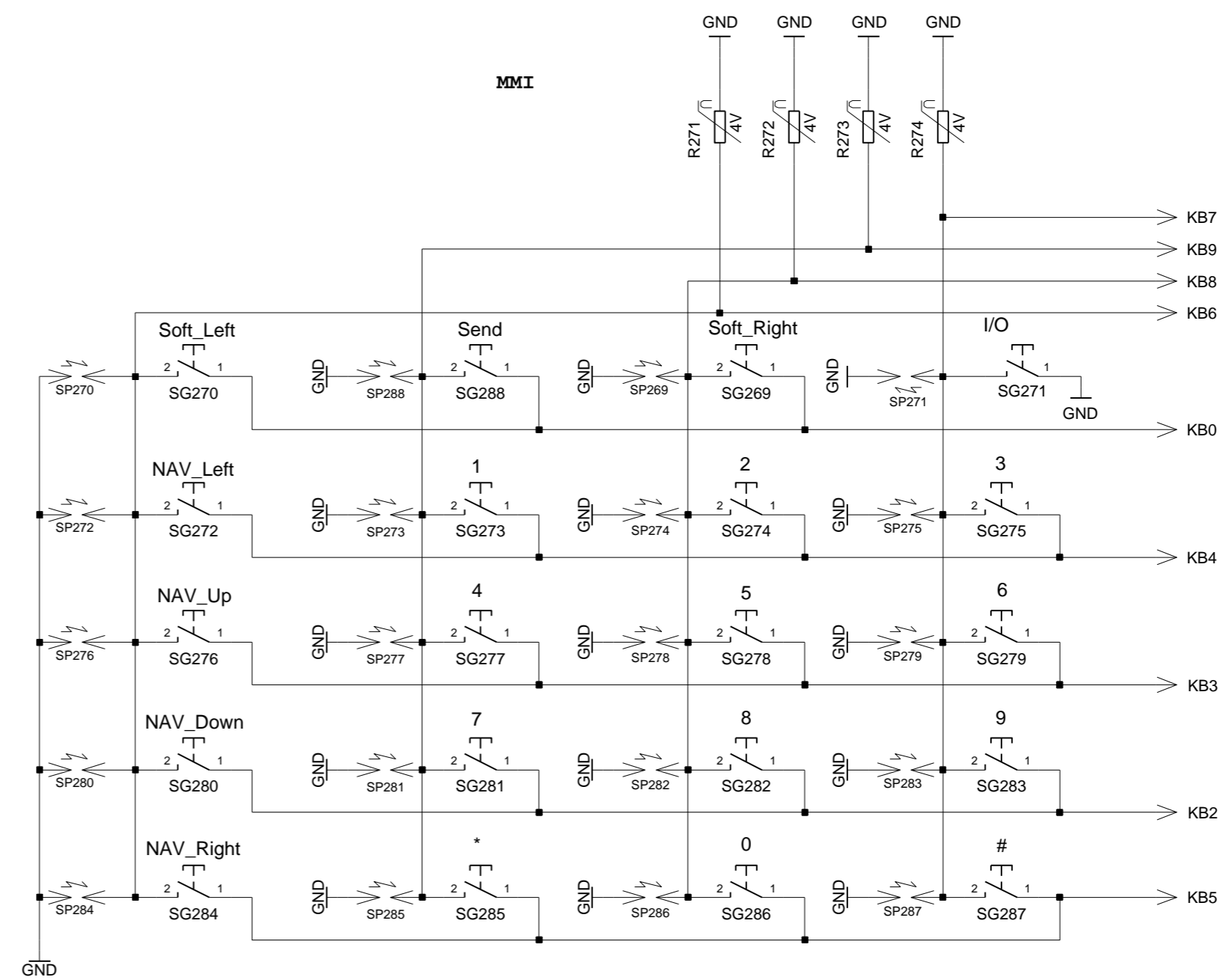
DATE	15.12.2005	Finch Assembled AMD Variant1	
USER	ZX	B2P Layout (CR 8985)	
APPRD		TOP HIERARCHY LEVEL	1:1
		SCHEMATIC	
COM	MD PD HW		
2	34975	03.01.2006	ZX
1	34250	14.12.2005	ZX
VERS.	CHANGE NUMBER	DATE	NAME
			Siemens AG
			243154
			sheet1

(Created by BCM number: ASB00900206395-34975)

ANTENNA_CIRCUIT
3800-3849
Aries 2005.3.22



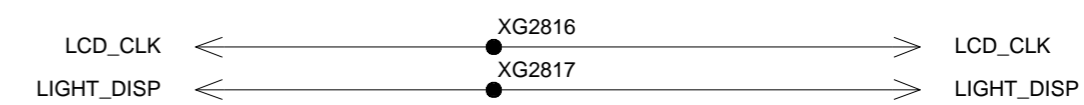
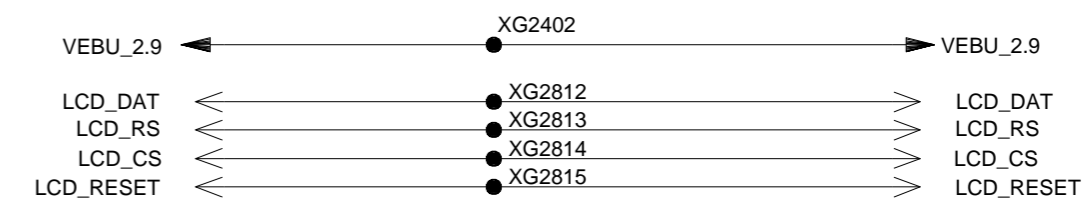
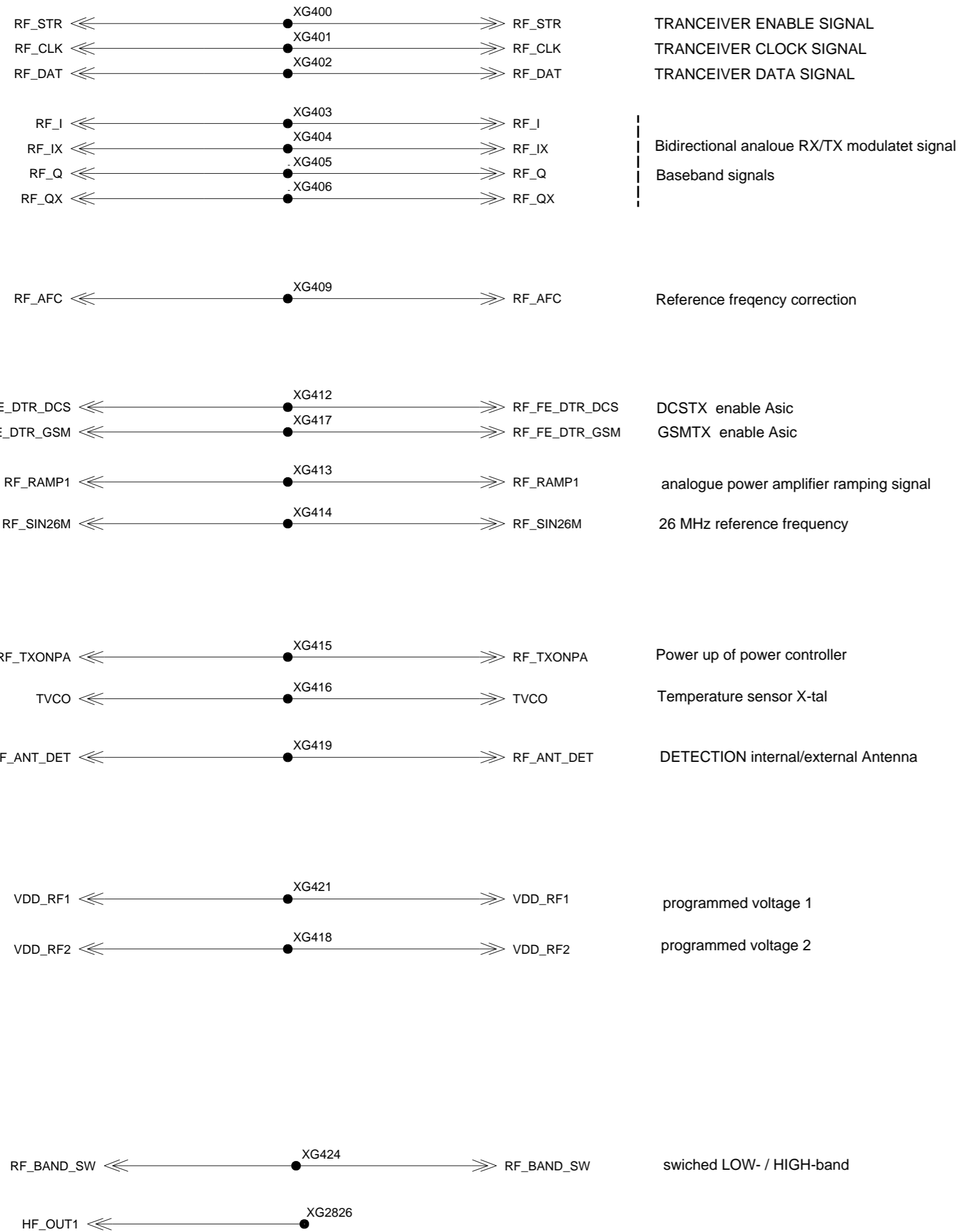
				DATE	15.12.2005	Finch Assembled AMD Variant1 B2P Layout (CR 8985) TOP HIERARCHY LEVEL SCHEMATIC	1:1
			USER	ZX			
			APPR'D				
				COM	MD	PD	HW
2	34975	03.01.2006	ZX	Siemens AG		243154	sheet2
1	34250	14.12.2005	ZX				
VERS.	CHANGE NUMBER	DATE	NAME	(Created by BOM number: A5B00900206395-34975)			



VERS.	CHANGE NUMBER	DATE	NAME	DATE	USER	APPR'D	COM MD PD HW	Siemens AG	243154	sheet3
				15.12.2005	ZX			Finch Assembled AMD Variant1		1:1
								B2P Layout (CR 8985)		
								TOP HIERARCHY LEVEL		
								SCHMATIC		
2	34975	03.01.2006	ZX							
1	34250	14.12.2005	ZX							

HIT_POINTS LOGIK/HF_PART_1_B6E

400-449



DATE	15.12.2005	Finch Assembled AMD Variant1 B2P Layout (CR 8985) TOP HIERARCHY LEVEL SCHEMATIC	1:1		
USER	ZX				
APPR'D					
COM MD PD HW		Siemens AG	243154		
2	34975			03.01.2006	ZX
1	34250			14.12.2005	ZX
VERS.	CHANGE NUMBER	DATE	NAME	(Created by BOM number: A5B00900206395-34975)	

1 2 3 4 5 6 7 8 9 10 11 12 13 14 15

A

B

C

D

E

F

G

A

B

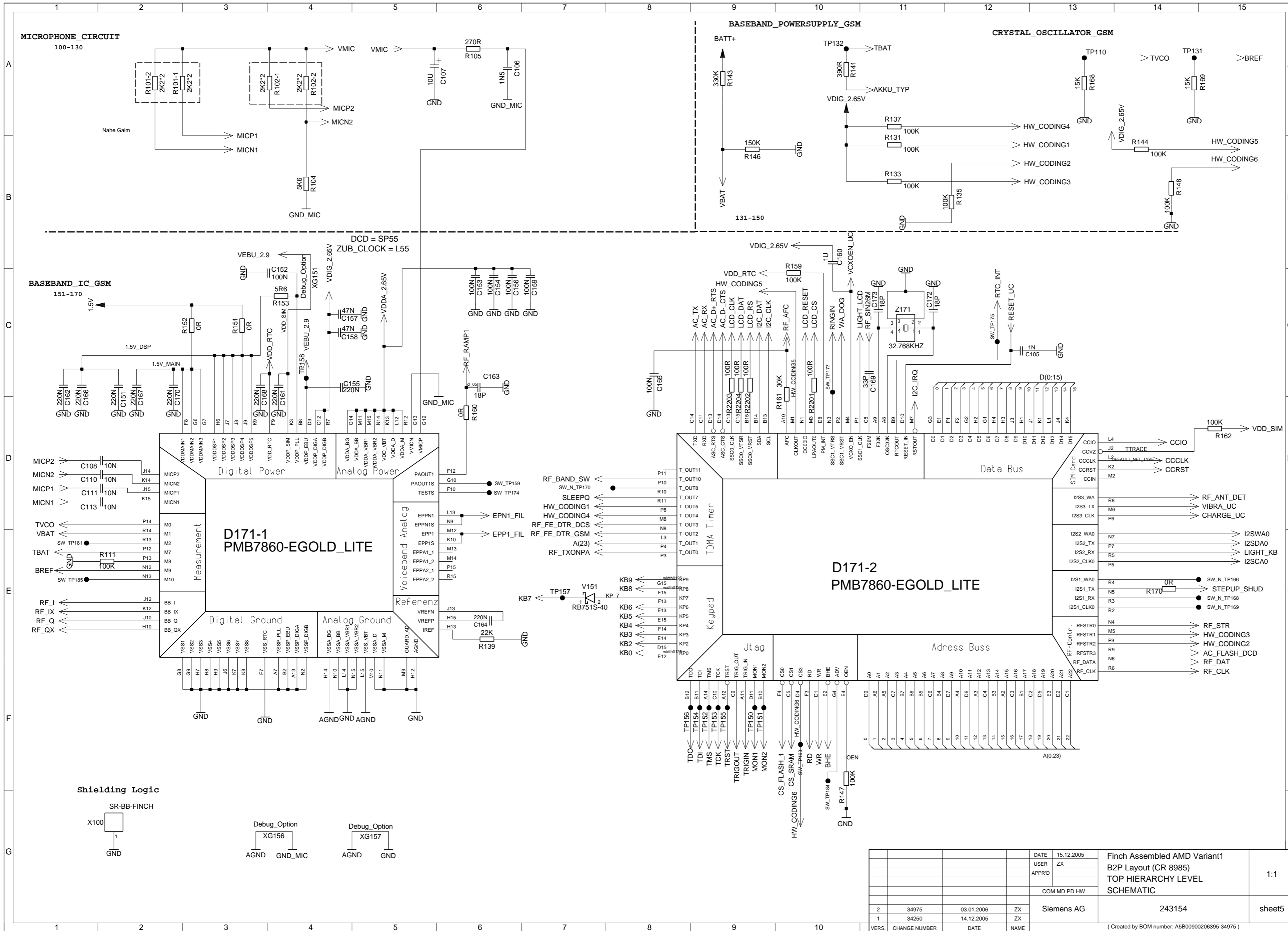
C

D

E

F

G

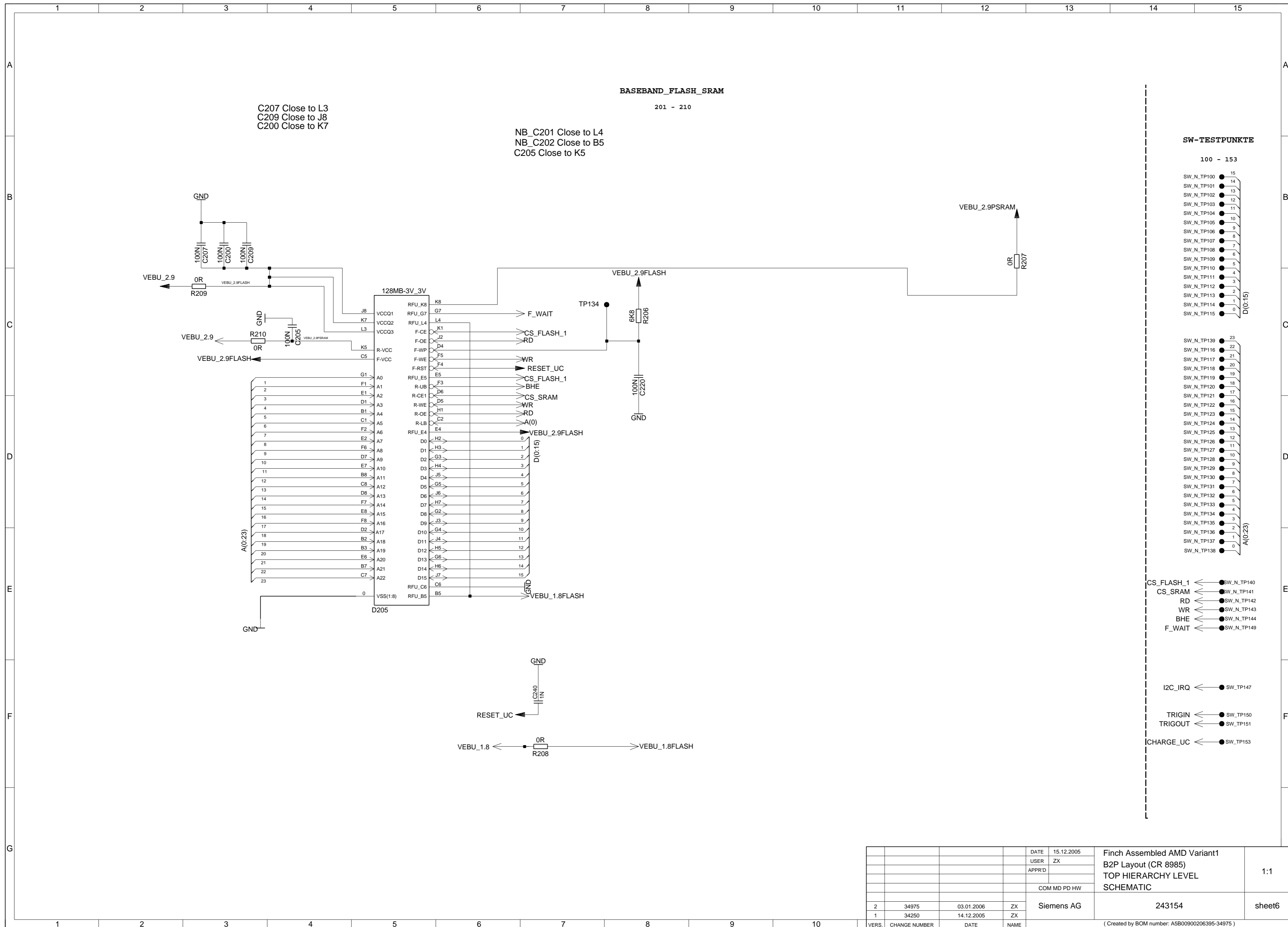


DATE	15.12.2005	Finch Assembled AMD Variant1	
USER	ZX	B2P Layout (CR 8985)	
APPRD		TOP HIERARCHY LEVEL	
		SCHEMATIC	1:1
COM	MD PD HW	Siemens AG	243154
VERS.	CHANGE NUMBER	DATE	NAME
2	34975	03.01.2006	ZX
1	34250	14.12.2005	ZX

(Created by BOM number: A5800900206395-34975)

Proprietary data, Company confidential.
all rights reserved

Als Betriebsgeheimnis anvertraut
alle Rechte vorbehalten



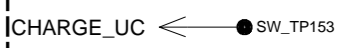
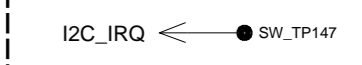
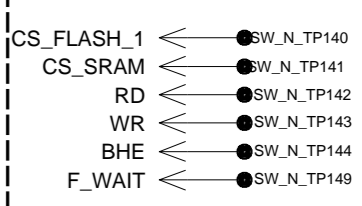
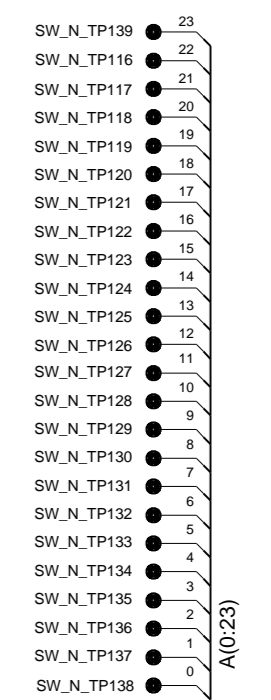
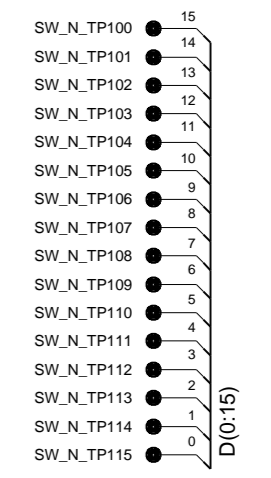
BASEBAND_FLASH_SRAM
201 - 210

C207 Close to L3
C209 Close to J8
C200 Close to K7

NB_C201 Close to L4
NB_C202 Close to B5
C205 Close to K5

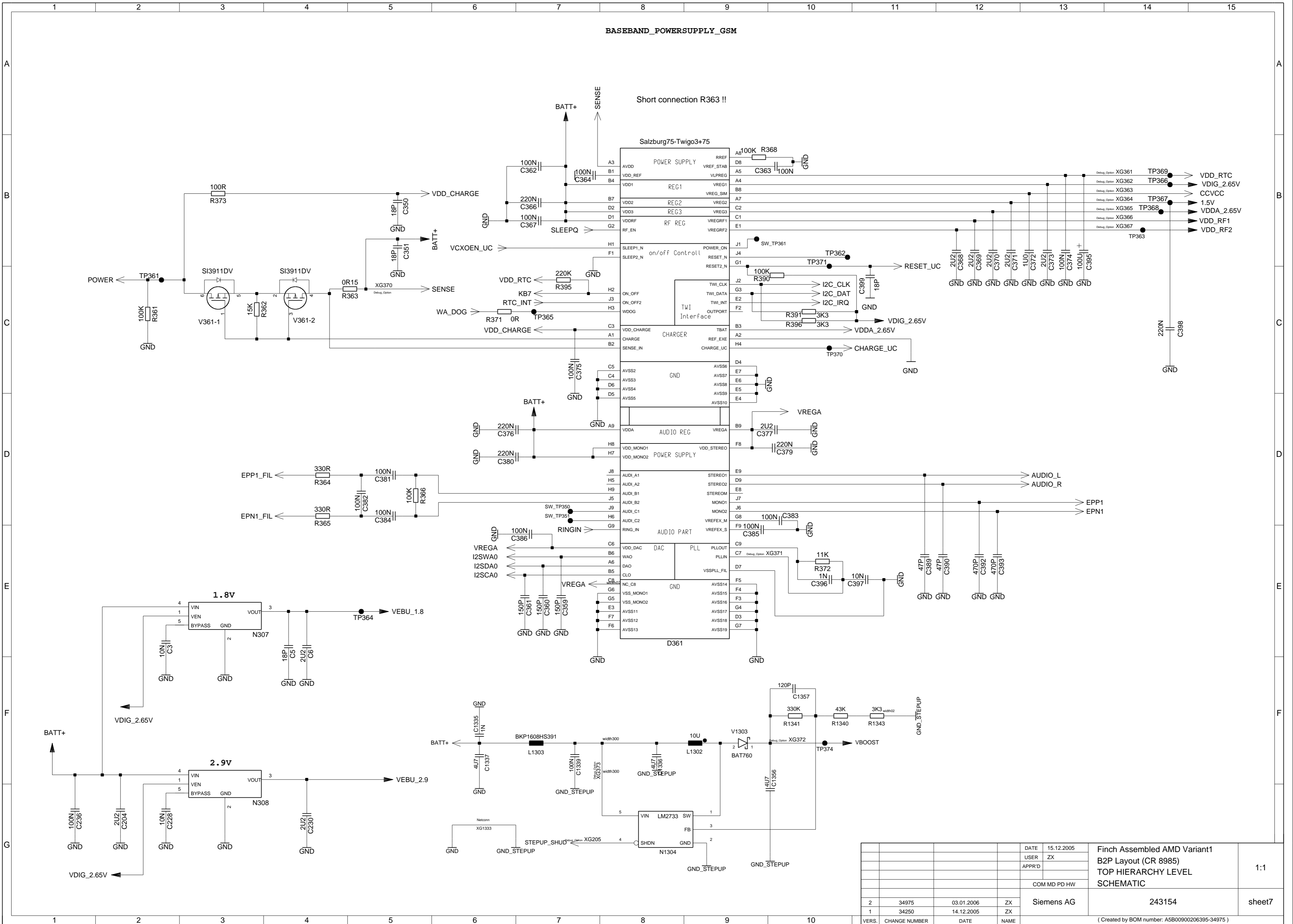
SW-TESTPUNKTE

100 - 153



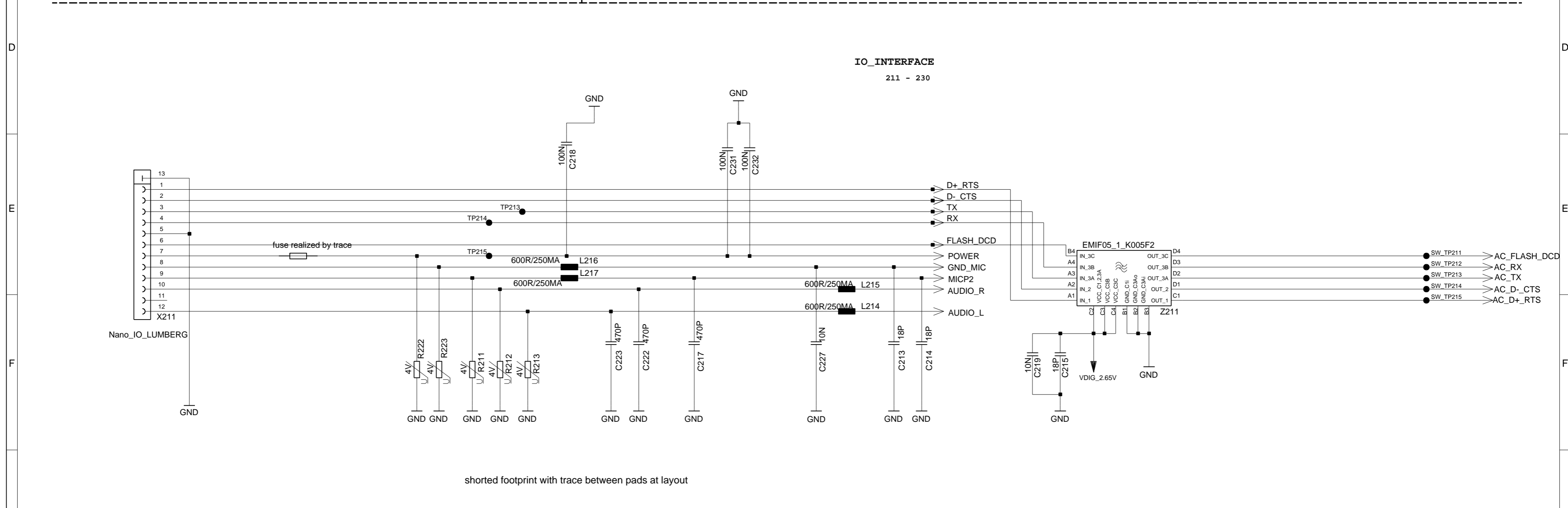
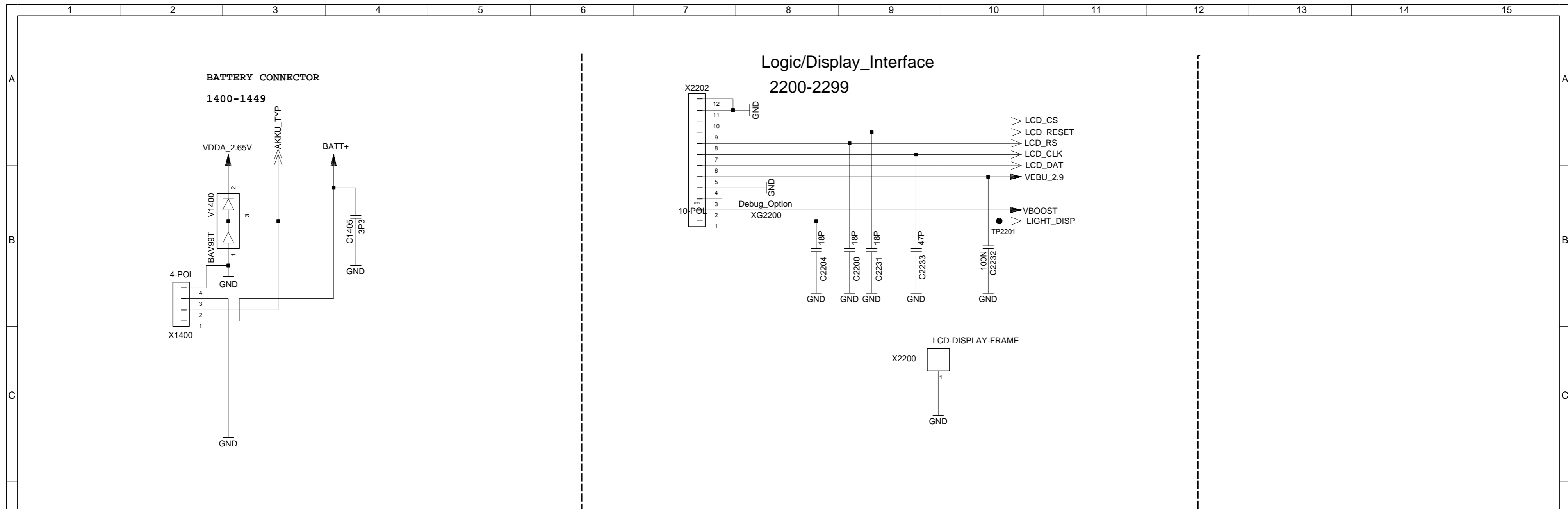
DATE	15.12.2005	Finch Assembled AMD Variant1		1:1
USER	ZX	B2P Layout (CR 8985)		
APPR'D		TOP HIERARCHY LEVEL		
COM MD PD HW				SHEMATIC
VERS.	CHANGE NUMBER	DATE	NAME	
2	34975	03.01.2006	ZX	sheet6
1	34250	14.12.2005	ZX	
Siemens AG				243154
(Created by BOM number: A5B00900206395-34975)				

BASEBAND_POWERSUPPLY_GSM



Proprietary data. Company confidential.
all rights reserved

Als Betriebsgeheimnis anvertraut
alle Rechte vorbehalten



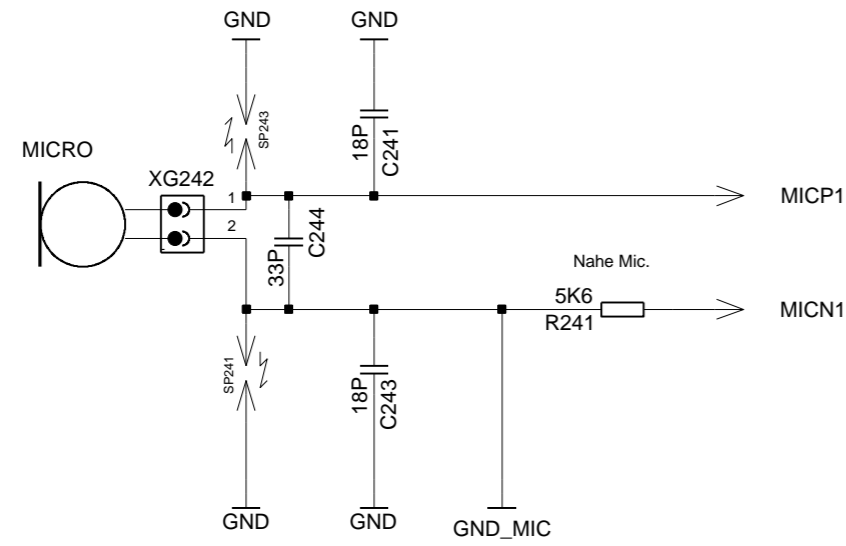
DATE	15.12.2005	Finch Assembled AMD Variant1	
USER	ZX	B2P Layout (CR 8985)	
APPR'D		TOP HIERARCHY LEVEL	1:1
		SCHEMATIC	
		COM MD PD HW	
2	34975	03.01.2006	ZX
1	34250	14.12.2005	ZX
Siemens AG		243154	sheet8

(Created by BOM number: A5B00900206395-34975)

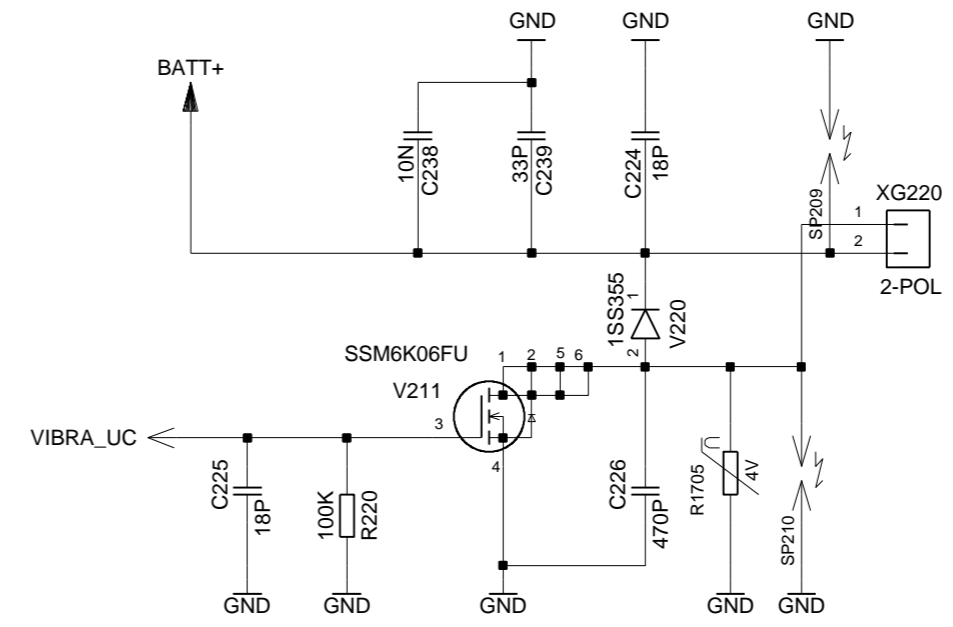
Proprietary data. Company confidential.
all rights reserved

Als Betriebsgeheimnis anvertraut
alle Rechte vorbehalten

MICROPHONE_CIRCUIT
241-250

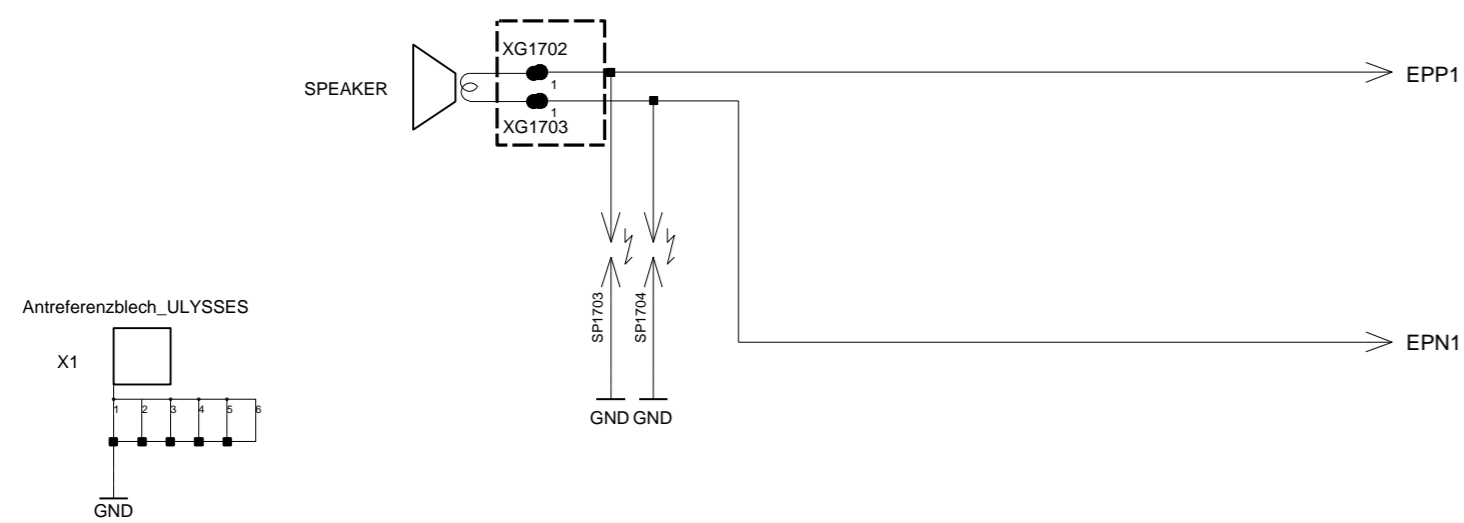


VIBRA_CIRCUIT
211 - 230



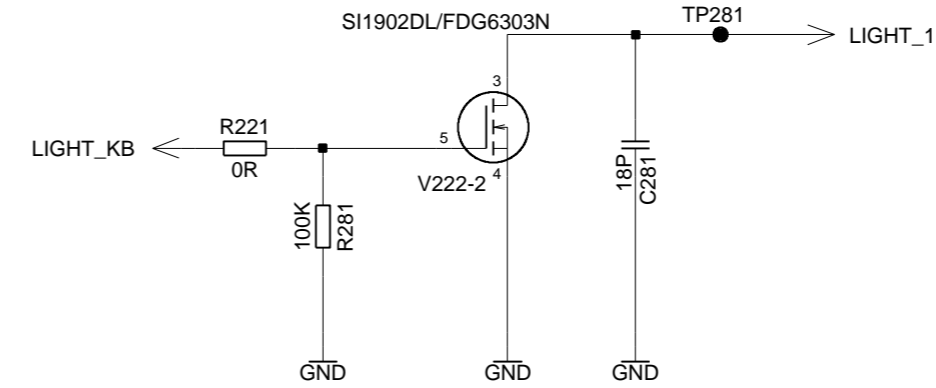
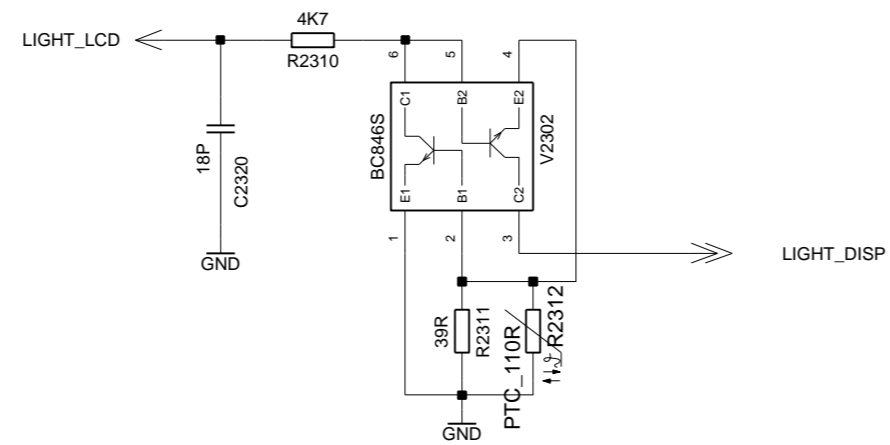
SPEAKER_SOLUTION_1
1700-1749

65-Platform_schematic_sheet17



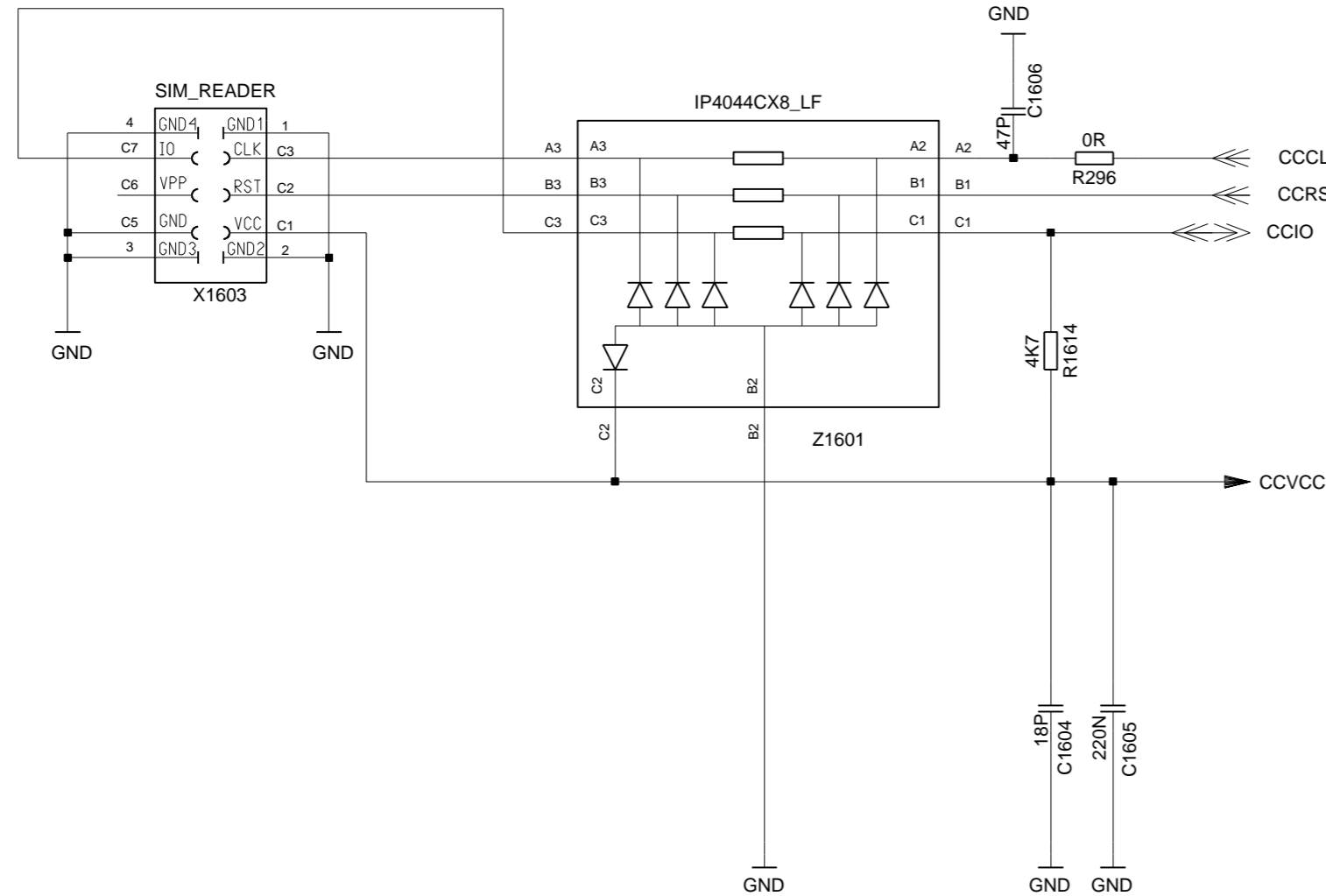
DATE	15.12.2005	Finch Assembled AMD Variant1	
USER	ZX	B2P Layout (CR 8985)	
APPR'D		TOP HIERARCHY LEVEL	1:1
		COM MD PD HW	SCHMATIC
2	34975	03.01.2006	ZX
1	34250	14.12.2005	ZX
VERS. CHANGE NUMBER		DATE	NAME
		Siemens AG	
		243154	
		sheet9	

(Created by BOM number: A5B00900206395-34975)

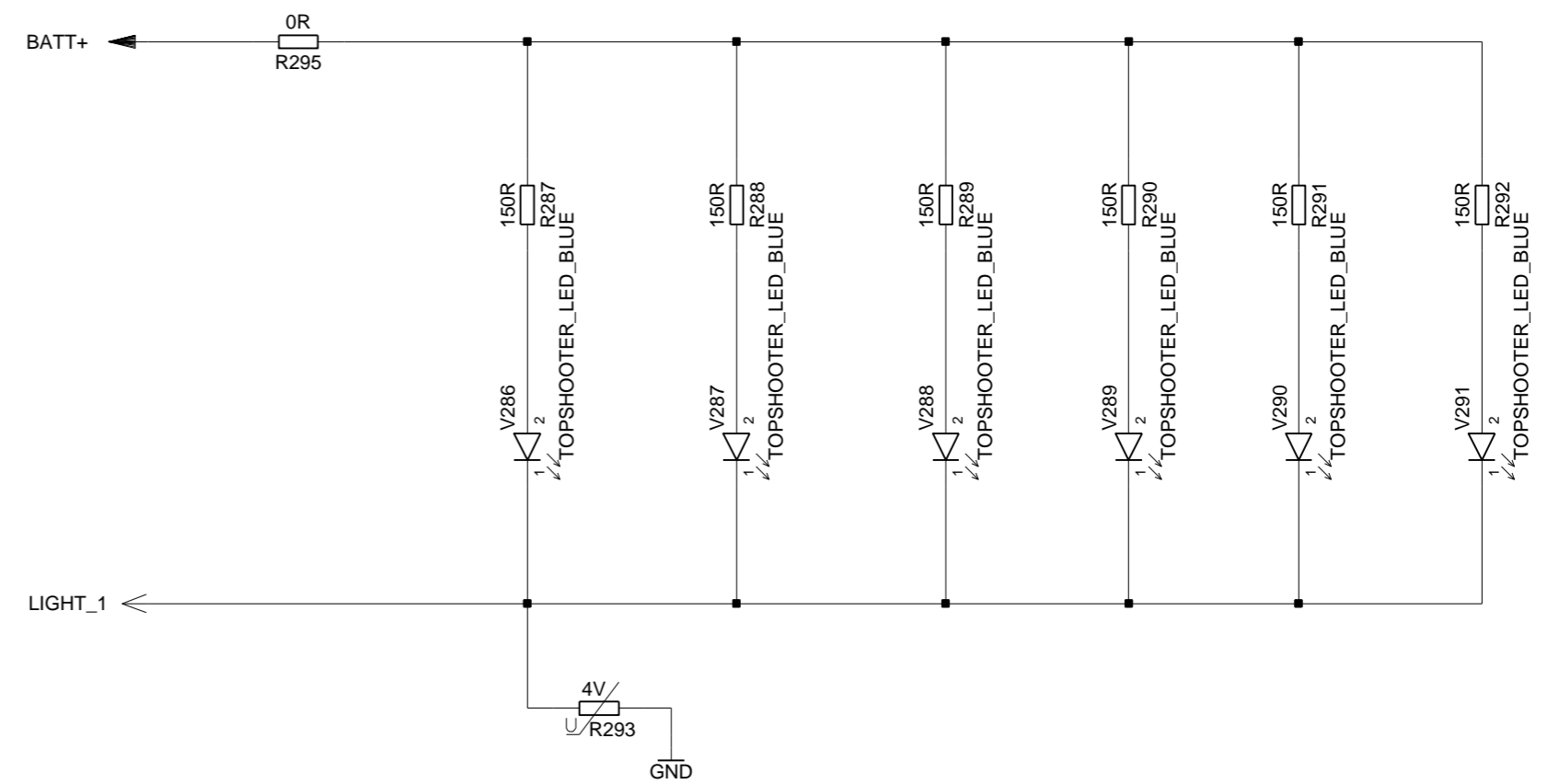


SIM_CONNECTOR

1600-1659



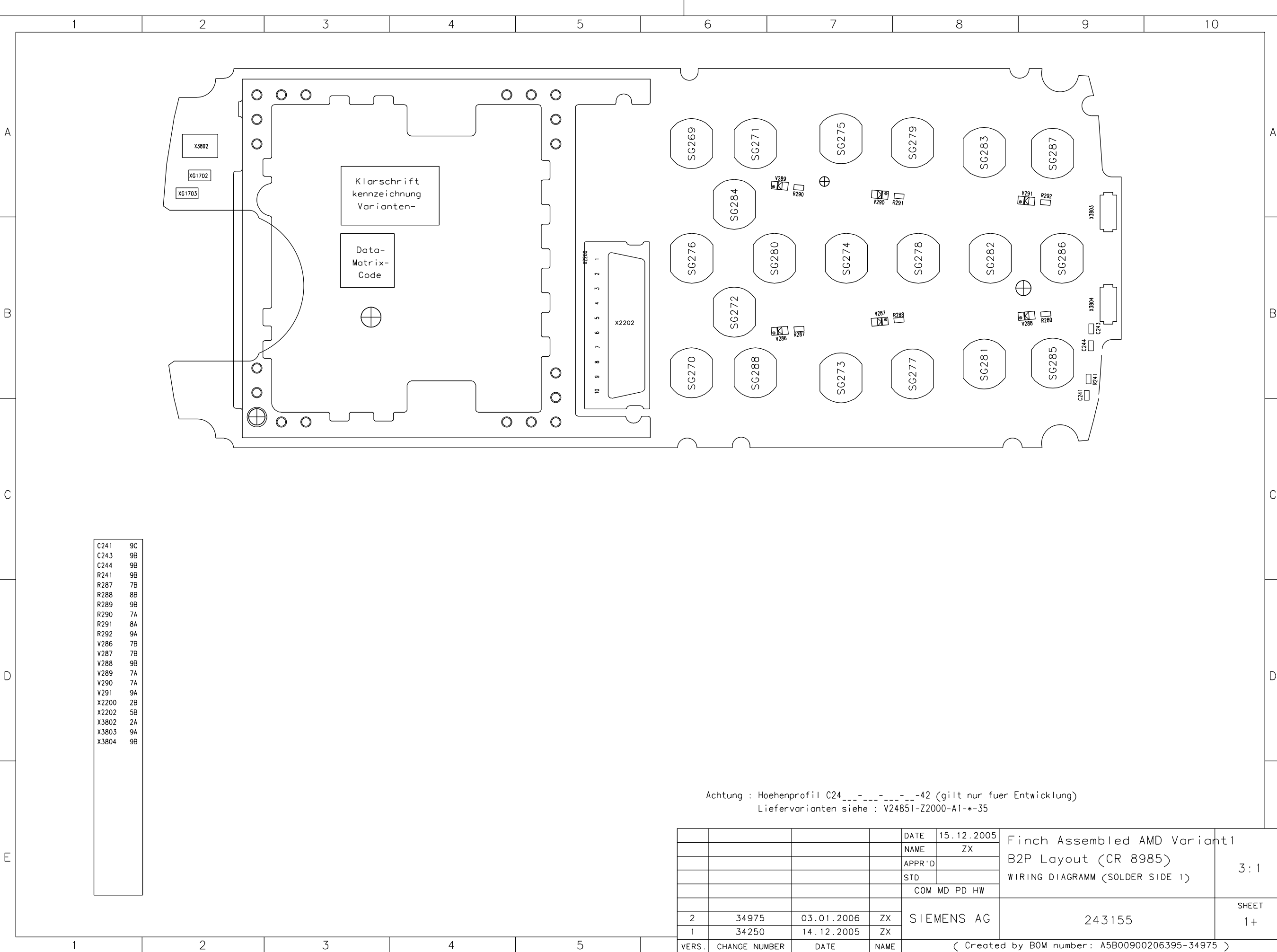
KEYPAD_BACKLIGHT



DATE	15.12.2005	Finch Assembled AMD Variant1	
USER	ZX	B2P Layout (CR 8985)	
APPR'D		TOP HIERARCHY LEVEL	1:1
		SCHEMATIC	
		COM MD PD HW	
2	34975	03.01.2006	ZX
1	34250	14.12.2005	ZX
VERS.	CHANGE NUMBER	DATE	NAME
			Siemens AG
			243154
			sheet10

PROPRIETARY DATA, COMPANY CONFIDENTIAL
ALL RIGHTS RESERVED

ALS BETRIEBSGEHEIMNIS ANVERTRAUT
ALLE RECHTE VORBEHALTEN



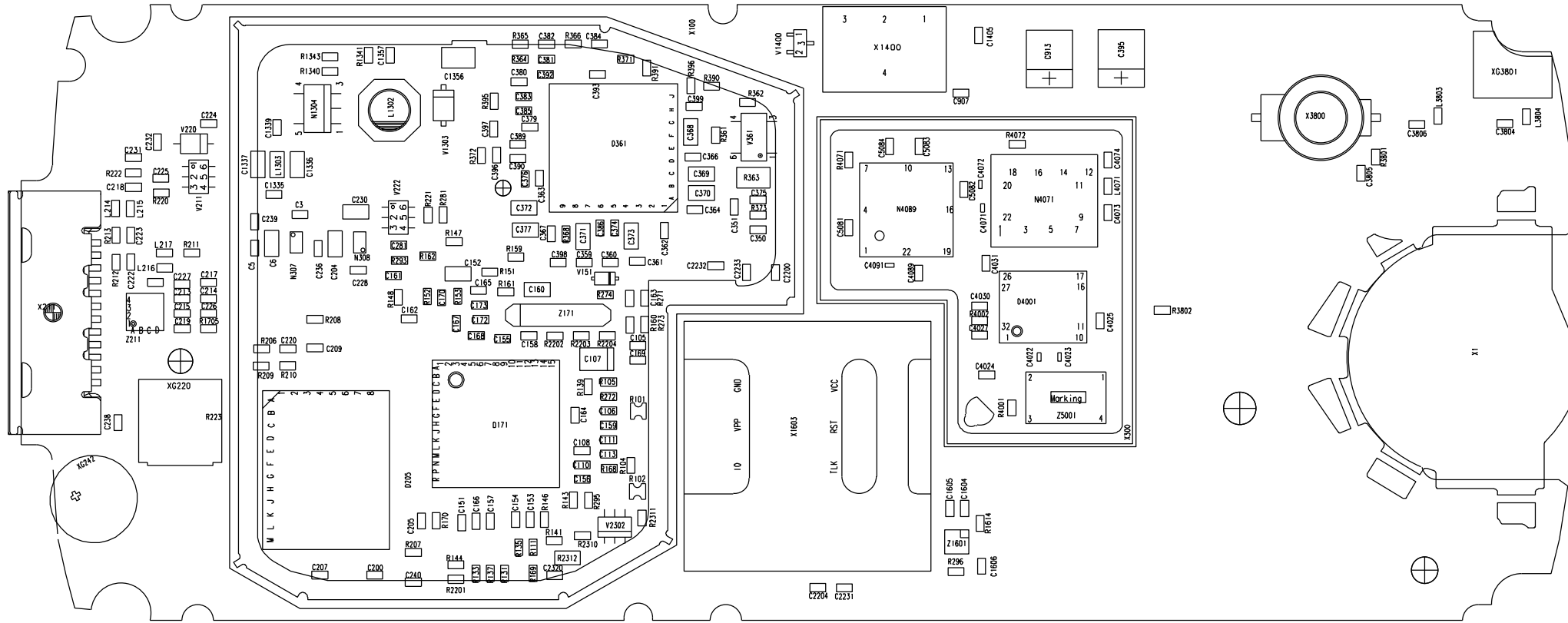
C241	9C
C243	9B
C244	9B
R241	9B
R287	7B
R288	8B
R289	9B
R290	7A
R291	8A
R292	9A
V286	7B
V287	7B
V288	9B
V289	7A
V290	7A
V291	9A
X2200	2B
X2202	5B
X3802	2A
X3803	9A
X3804	9B

Achtung : Hoehenprofil C24_..._..._42 (gilt nur fuer Entwicklung)
Liefervarianten siehe : V24851-Z2000-A1-*35

				DATE	15.12.2005	Finch Assembled AMD Variant1 B2P Layout (CR 8985) WIRING DIAGRAMM (SOLDER SIDE 1)	3:1
				NAME	ZX		
				APPR'D			
				STD			
				COM MD PD HW			
				SIEMENS AG		243155	SHEET
				1	34250	14.12.2005	ZX
				2	34975	03.01.2006	ZX
VERS.	CHANGE NUMBER	DATE	NAME	(Created by BOM number: A5B00900206395-34975)			

PROPRIETARY DATA, COMPANY CONFIDENTIAL
ALL RIGHTS RESERVED

ALS BETRIEBSGEHEIMNIS ANVERTRAUT
ALLE RECHTE VORBEHALTEN



C3	3A	C207	3C	C369	5A	C1604	6B	L216	2B	R168	5B	R395	4A	Z171	4B
C5	3A	C209	3B	C370	5A	C1605	6B	L217	3B	R169	4C	R396	5A	Z211	2B
C6	3A	C213	3B	C371	5A	C1606	6C	L1302	4A	R170	4B	R1340	3A	Z1601	6B
C105	5B	C214	3B	C372	4A	C2200	5B	L1303	3A	R206	3B	R1341	3A	Z5001	7B
C106	5B	C215	3B	C373	5A	C2204	6C	L3803	9A	R207	4C	R1343	3A		
C107	5B	C217	3B	C374	5A	C2231	6C	L3804	9A	R208	3B	R1614	6B		
C108	4B	C218	2A	C375	5A	C2232	5B	L4071	7A	R209	3B	R1705	3B		
C110	5B	C219	3B	C376	4A	C2233	5B	N307	3A	R210	3B	R2201	4C		
C111	5B	C220	3B	C377	4A	C2320	4C	N308	3A	R211	3B	R2202	4B		
C113	5B	C222	2B	C379	4A	C3804	9A	N1304	3A	R212	2B	R2203	5B		
C151	4B	C223	2A	C380	4A	C3805	8A	N4071	7A	R213	2A	R2204	5B		
C152	4B	C224	3A	C381	4A	C3806	9A	N4089	6A	R220	2A	R2310	4B		
C153	4B	C225	2A	C382	4A	C4022	7B	R101	5B	R221	4A	R2311	5B		
C154	4B	C226	3B	C383	4A	C4023	7B	R102	5B	R222	2A	R2312	5C		
C155	4B	C227	3B	C384	5A	C4024	6B	R104	5B	R223	2B	R3801	8A		
C156	5B	C228	3B	C385	4A	C4025	7B	R105	5B	R271	5B	R3802	7B		
C157	4B	C230	3A	C386	5A	C4027	6B	R111	4C	R272	5B	R4001	7B		
C158	4B	C231	2A	C389	4A	C4030	6B	R131	4C	R273	5B	R4002	7B		
C159	5B	C232	2A	C390	4A	C4031	7B	R133	4C	R274	5B	R4071	6A		
C160	4B	C236	3A	C392	4A	C4071	6A	R135	4B	R281	4A	R4072	7A		
C161	4B	C238	2B	C393	5A	C4072	6A	R137	4C	R293	4B	V151	5B		
C162	4B	C239	3A	C395	7A	C4073	7A	R139	5B	R295	5B	V211	3A		
C163	5B	C240	4C	C396	4A	C4074	7A	R141	4B	R296	6C	V220	3A		
C164	4B	C281	4A	C397	4A	C4089	6B	R143	4B	R361	5A	V222	4A		
C165	4B	C350	5A	C398	4B	C4091	6B	R144	4C	R362	5A	V361	5A		
C166	4B	C351	5A	C399	5A	C5081	6A	R146	4B	R363	5A	V1303	4A		
C167	4B	C359	5B	C907	6A	C5082	6A	R147	4A	R364	4A	V1400	6A		
C168	4B	C360	5B	C913	7A	C5083	6A	R148	4B	R365	4A	V2302	5B		
C169	5B	C361	5B	C1335	3A	C5084	6A	R151	4B	R366	5A	X1	9B		
C170	4B	C362	5A	C1336	3A	D171	4B	R152	4B	R368	4A	X100	3A		
C172	4B	C363	4A	C1337	3A	D205	3B	R153	4B	R371	5A	X211	2B		
C173	4B	C364	5A	C1339	3A	D361	5A	R159	4B	R372	4A	X300	7B		
C200	3C	C366	5A	C1356	4A	D4001	7B	R160	5B	R373	5A	X1400	6A		
C204	3A	C367	4A	C1357	4A	L214	2A	R161	4B	R390	5A	X1603	6B		
C205	4B	C368	5A	C1405	6A	L215	2A	R162	4B	R391	5A	X3800	8A		

Achtung : Hoehenprofil C24_..._..._42 (gilt nur fuer Entwicklung)
Liefervarianten siehe : V24851-Z2000-A1-*35

				DATE	15.12.2005	Finch Assembled AMD Variant1		
				NAME	ZX	B2P Layout (CR 8985)		
				APPR'D		WIRING DIAGRAMM (SOLDER SIDE 2)		3:1
				STD				
				COM MD PD HW				
2	34975	03.01.2006	ZX	SIEMENS AG		243155		SHEET
1	34250	14.12.2005	ZX					2+
VERS.	CHANGE NUMBER	DATE	NAME	(Created by BOM number: A5B00900206395-34975)				

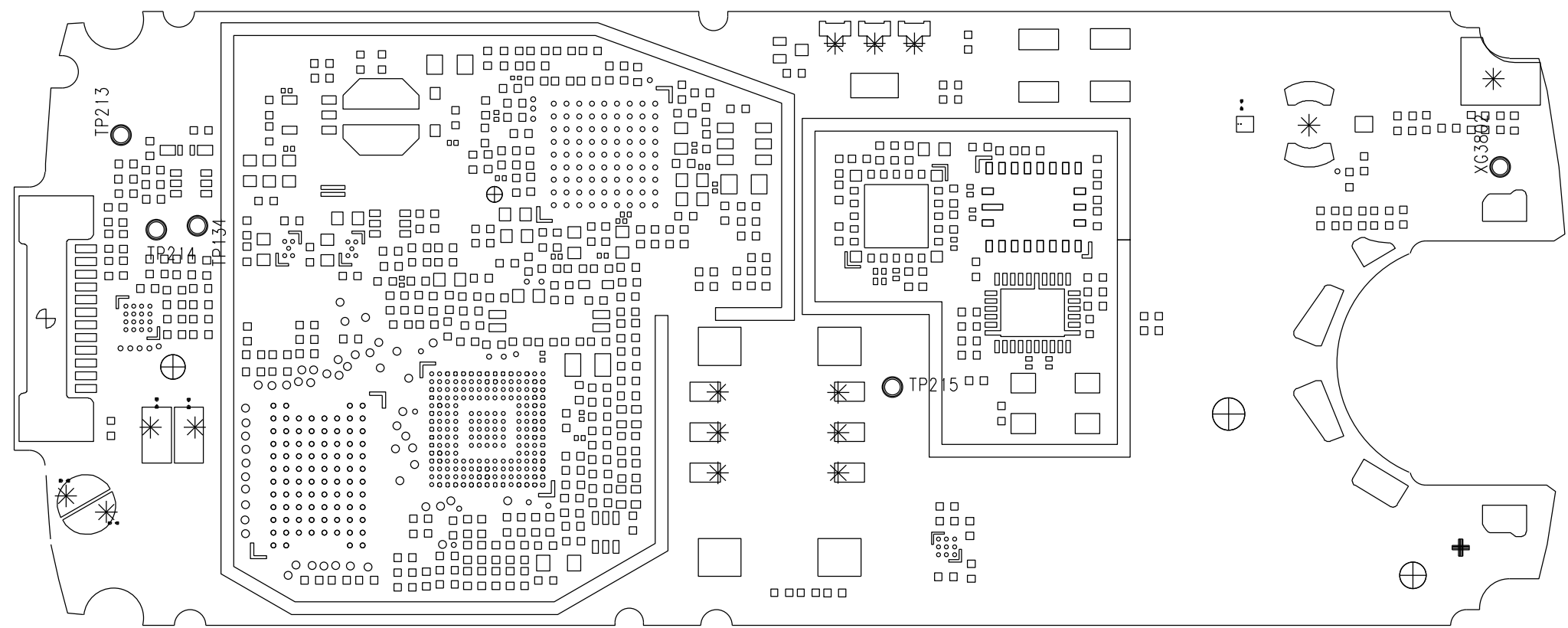
PROPRIETARY DATA, COMPANY CONFIDENTIAL
ALL RIGHTS RESERVED

ALS BETRIEBSGEHEIMNIS ANVERTRAUT
ALLE RECHTE VORBEHALTEN

1 2 3 4 5 6 7 8 9 10

A
B
C
D
E

A
B
C
D
E



TP134	3A	/NS342507
TP213	2A	/TX
TP214	2A	/RX
TP215	6B	/POWER

				DATE	15.12.2005	Finch Assembled AMD Variant1 B2P Layout (CR 8985) TESTPOINT DIAGRAMM (SIDE 2)	3:1
				NAME	ZX		
				APPR'D			
				STD			
				COM MD PD HW			
2	34975	03.01.2006	ZX	SIEMENS AG		243156	SHEET
1	34250	14.12.2005	ZX				2-
VERS.	CHANGE NUMBER	DATE	NAME	(Created by BOM number: A5B00900206395-34975)			

1 2 3 4 5