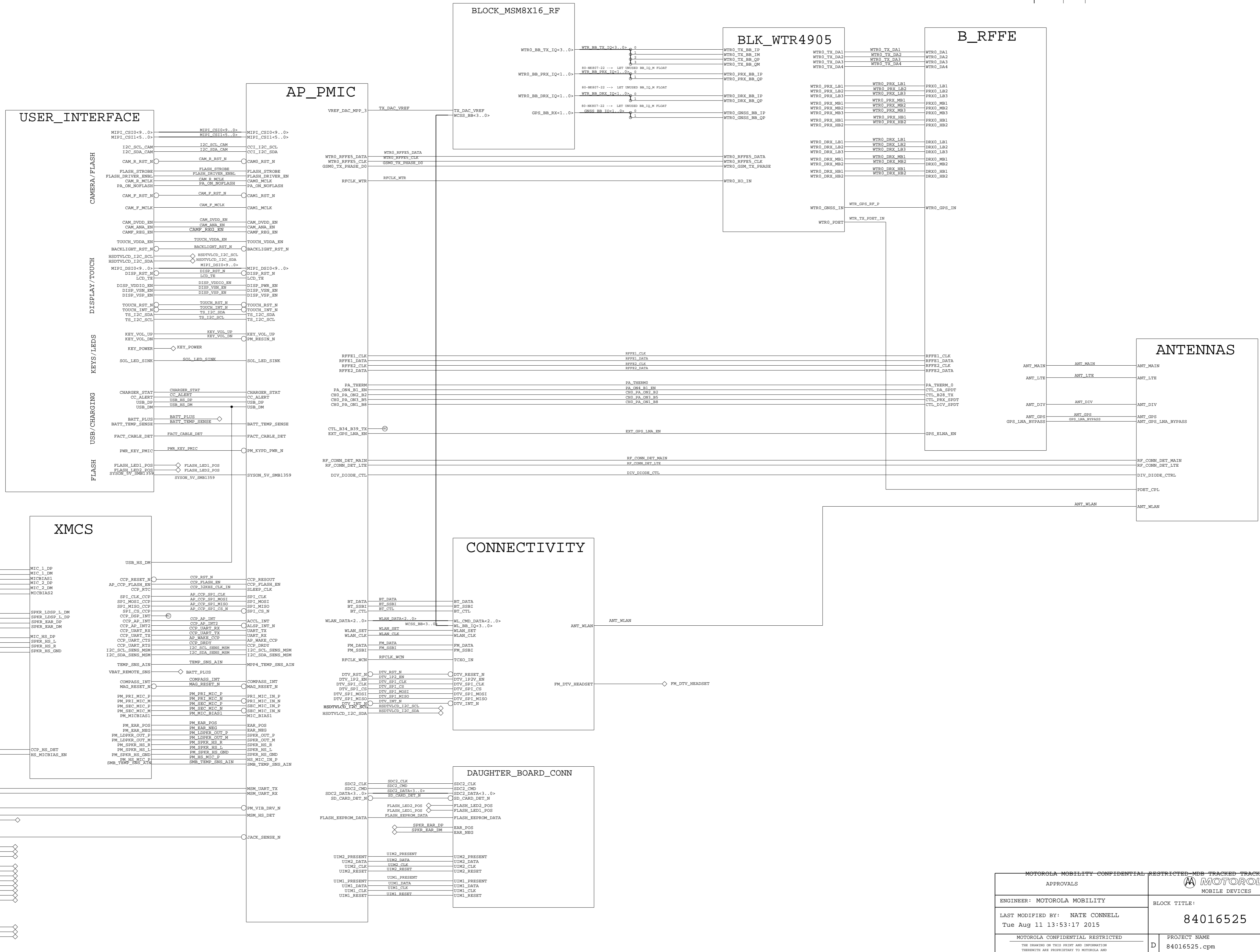


CALLISTO REFRESH P2

SYSTEM 4.0
04-S28-2014
08/03/15

| REVISIONS | | | | |
|-----------|-----|-------------|------|----------|
| ZONE | LTR | DESCRIPTION | DATE | APPROVED |
| | | | | |
| | | | | |
| | | | | |
| | | | | |

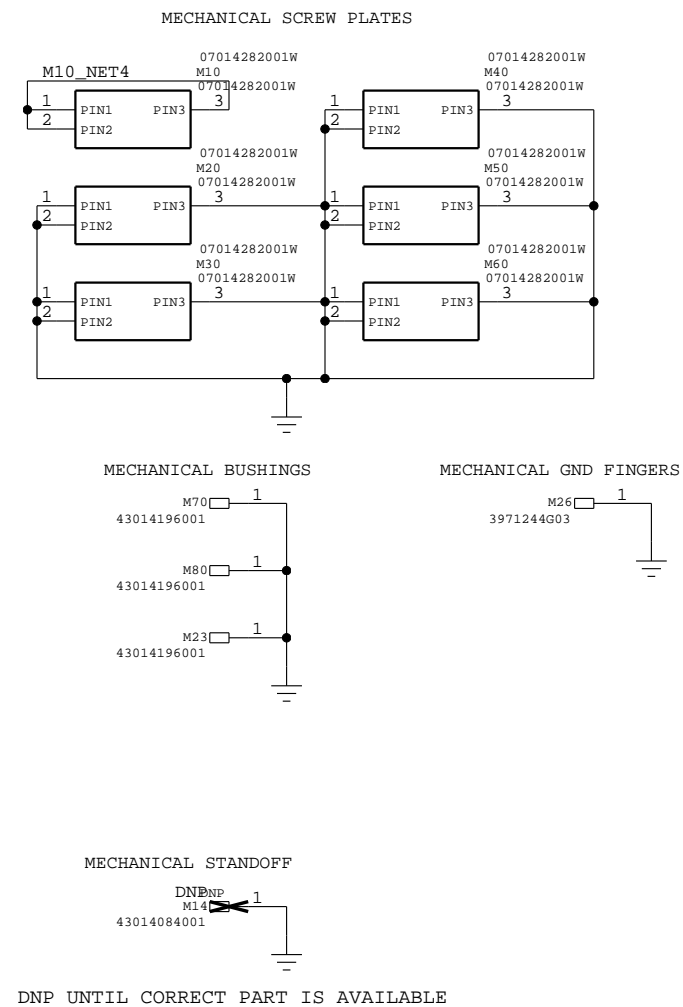
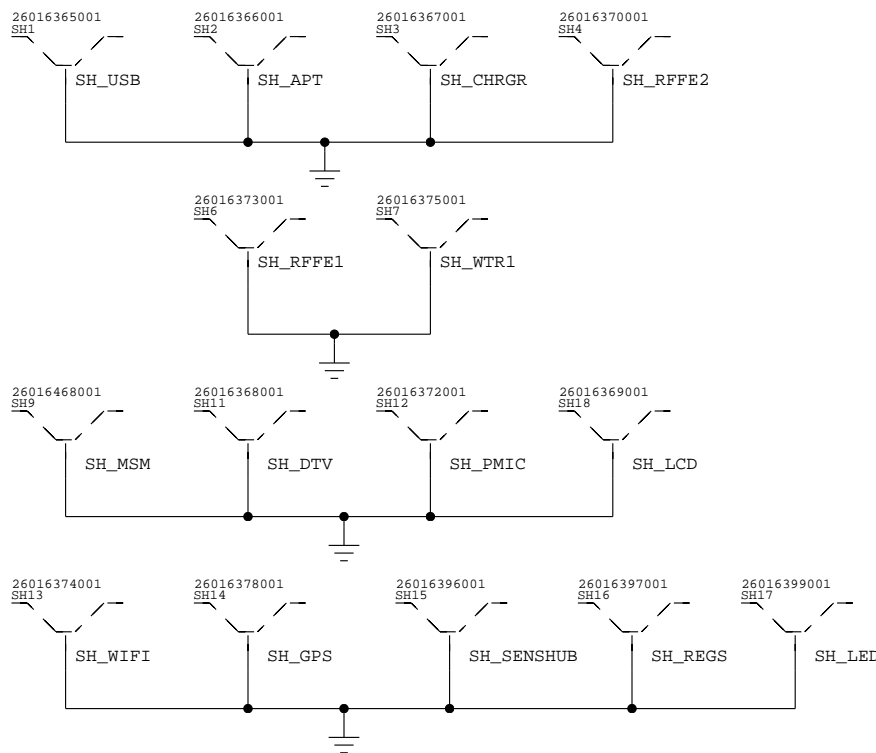


| APPROVALS | | MOTOROLA MOBILE DEVICES | |
|---|--|-------------------------|--------------|
| ENGINEER: MOTOROLA MOBILITY | | BLOCK TITLE: | 84016525 |
| LAST MODIFIED BY: NATE CONNELL | | PROJECT NAME: | 84016525.cpm |
| The date of this print and information therein are proprietary to Motorola and shall not be used or disclosed in whole or in part without Motorola's consent. | | REV: | C |
| © COPYRIGHT, MOTOROLA. THIS DOCUMENT IS UNCLASSIFIED. | | CAD FILE NAME: | |
| | | | PAGE 1 OF 47 |

CALLISTO A ME/SHIELDS

CALLISTO REFERENCE DESIGNATOR RANGES BY BLOCK

- 000 - 499: ANTENNA
- 500 - 599: USER INPUT
- 600 - 799: POWER
- 1000-2999:
- 1600-1699: MEMORY
- 2000-2999: PM8916
- 3000-3199: WTR4905
- 4000-4499: CONNECTIVITY
- 4500-4999: AUDIO FE
- 5300-5399: DISPLAY
- 5500-5999: CAMERA
- 6000-6999: XMCS
- 7000-7799, 8000-8020: RFFE
- 7800-7899:
- 9000-9999: PRODUCT-SPECIFIC (FILTERING, 100PF CAPS)



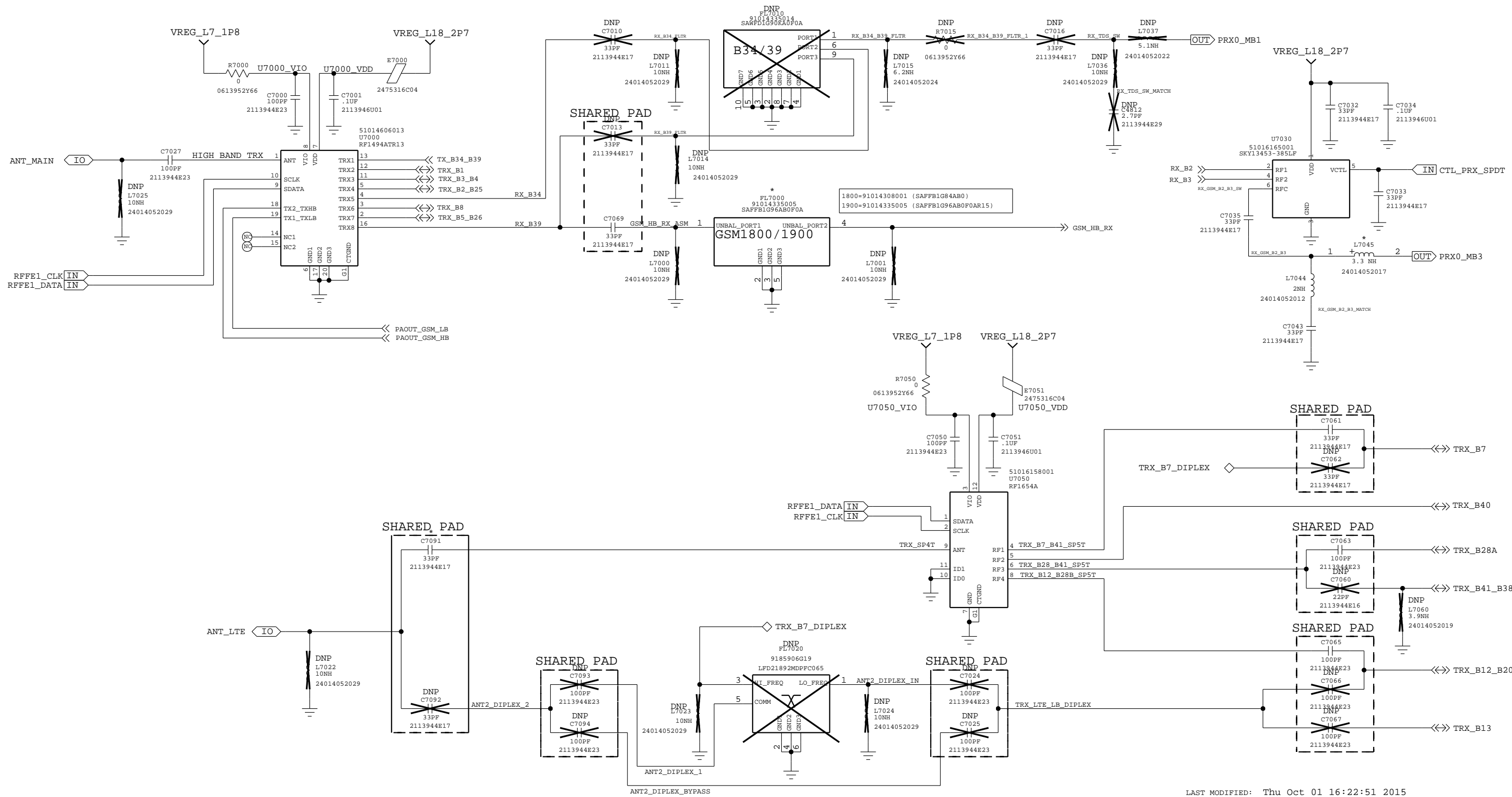
MOTOROLA MOBILITY CONFIDENTIAL RESTRICTED-MDB TRACKED TRACKEDANDBLOCKED

| | | | |
|--|--|-----------------------------------|-----|
| APPROVALS | | MOTOROLA MOBILE DEVICES | |
| ENGINEER: | | BLOCK TITLE: | |
| LAST MODIFIED BY: Thu Oct 01 16:22:36 2015 | | 84016525 | |
| MOTOROLA CONFIDENTIAL RESTRICTED THE DRAWING ON THIS PRINT AND INFORMATION THEREWITH ARE PROPRIETARY TO MOTOROLA AND SHALL NOT BE USED OR DISCUSSED IN WHOLE OR IN PART WITHOUT MOTOROLA'S CONSENT. © COPYRIGHT, MOTOROLA. THIS DOES NOT IMPLY PUBLICATION | | PROJECT NAME | REV |
| | | B 84016525.cpm | C |
| CAD FILE NAME: | | PAGE 2 OF 47 | |


RFFE:SP10T+SP4T

REF 7000-7099

| REVISIONS | | | | |
|-----------|-----|-------------|---------|----------|
| REV | ECN | DESCRIPTION | MADE BY | APPROVED |
| | | | | |

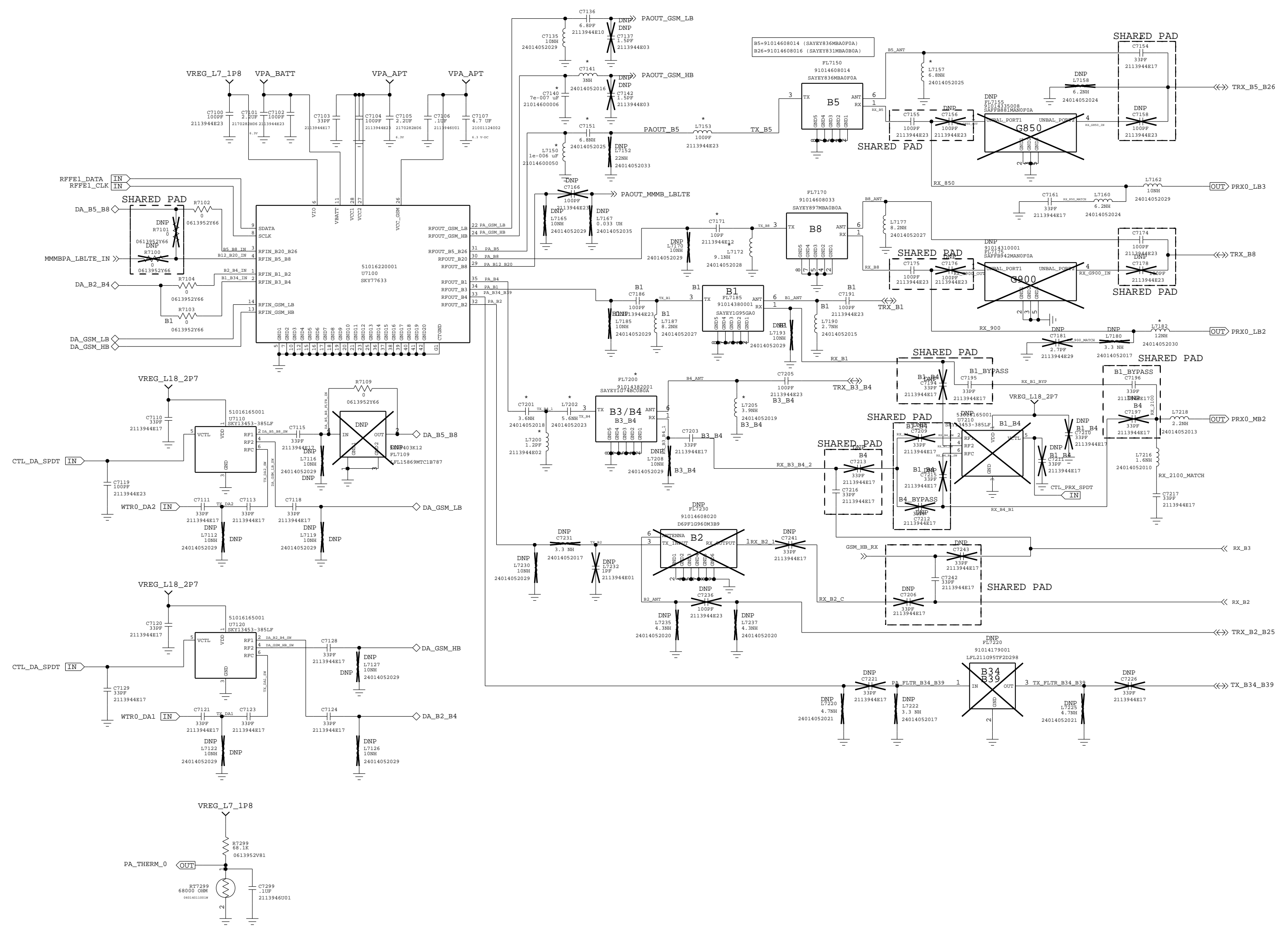


LAST MODIFIED: Thu Oct 01 16:22:51 2015

| | | | |
|------------------------------|----------------|---|-----------|
| DRAWING NUMBER: 84 | |  MOTOROLA | |
| DRAWN BY: | DATE: | TITLE: | REV C |
| LEAD ENGINEER: | DATE: | | SIZE B |
| ASSY NUMBER: | PCB FILE NAME: | PAGE 3 OF 47 | |

MOTOROLA CONFIDENTIAL RESTRICTED

| REVISIONS | | | | |
|-----------|-----|-------------|---------|----------|
| REV | ECN | DESCRIPTION | MADE BY | APPROVED |
| | | | | |



LAST MODIFIED: Thu Oct 01 16:22:50 2015

| | | | |
|------------------------------|----------------|--------------|-----------|
| DRAWING NUMBER: 84 | | | |
| DRAWN BY: | DATE: | TITLE: | REV C |
| LEAD ENGINEER: | DATE: | | SIZE C |
| ASSY NUMBER: | PCB FILE NAME: | PAGE 4 OF 47 | |

RFFE:HBPA

REF 7300-7399

D

C

B

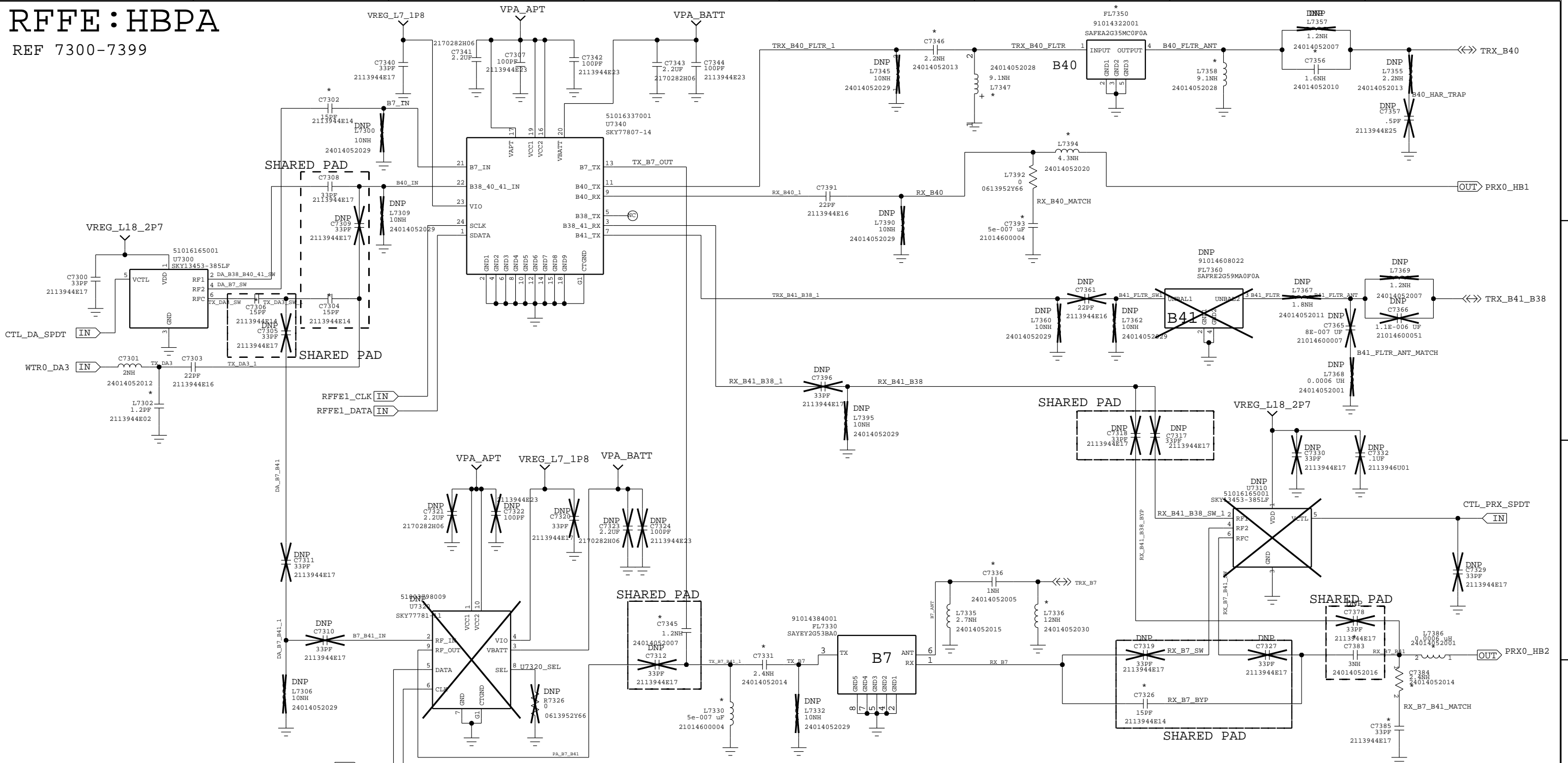
A

D

C

B

A

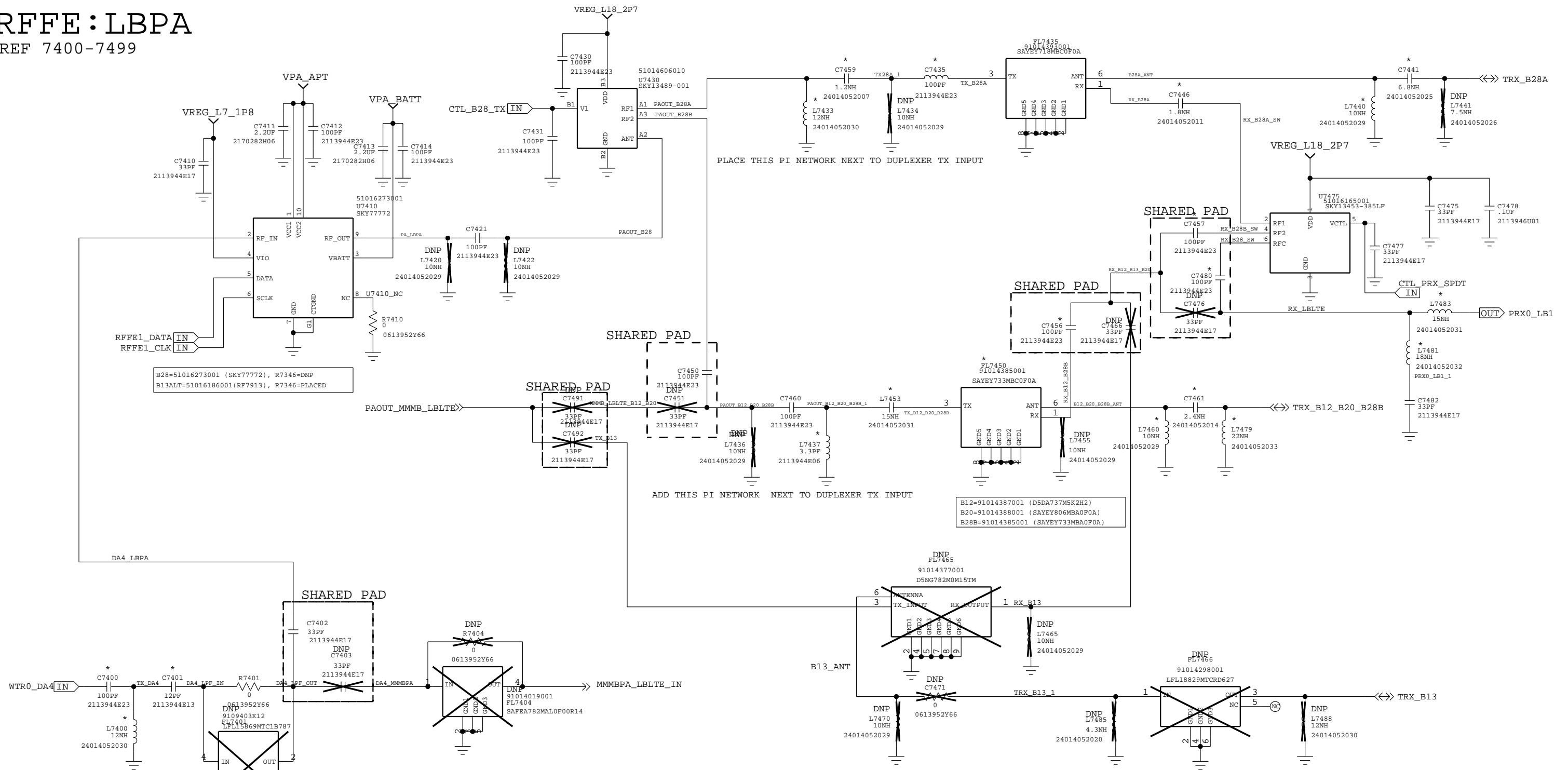


FOR MULTIPLE VENDOR CAPATIBILITY
B7=SKY7781-11, R7326=PLACED

| | | | |
|--|--|-----------------------------------|-----|
| APPROVALS | | MOTOROLA MOBILE DEVICES | |
| ENGINEER: MMI | | BLOCK TITLE: | |
| LAST MODIFIED BY: MMI Thu Oct 01 16:22:46 2015 | | block_rffe | |
| MOTOROLA CONFIDENTIAL RESTRICTED <small>THE DRAWING ON THIS PRINT AND INFORMATION THEREWITH ARE PROPRIETARY TO MOTOROLA AND SHALL NOT BE USED OR DISCUSSED IN WHOLE OR IN PART WITHOUT MOTOROLA'S CONSENT. © COPYRIGHT, MOTOROLA. THIS DOES NOT IMPLY PUBLICATION</small> | | PROJECT NAME | REV |
| | | B 84016525.cpm | C |
| CAD FILE NAME: | | PAGE 5 OF 47 | |

RFFE:LBPA

REF 7400-7499

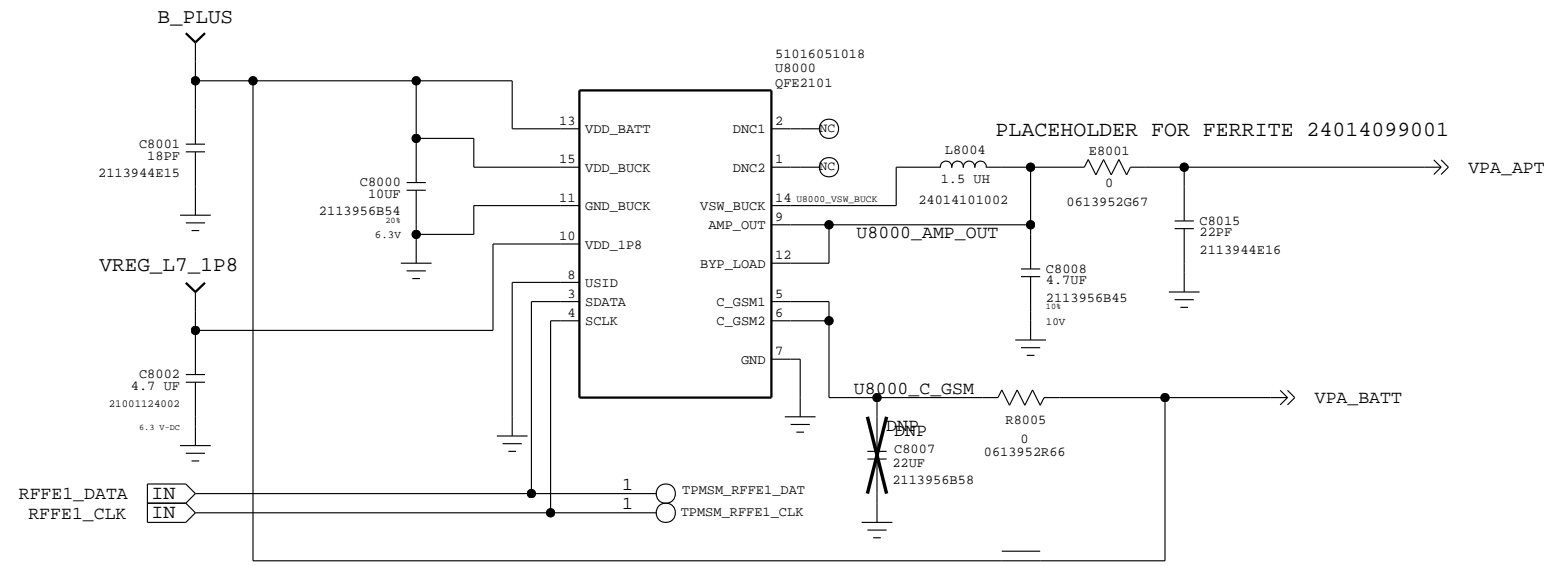


B28=51016273001 (SKY7772), R7346=DNP
 B13ALT=51016186001 (RF7913), R7346=PLACED

B12=91014387001 (D5DA737M5K2H2)
 B20=91014388001 (SAYEY806MBA0FOA)
 B28B=91014385001 (SAYEY733MBA0FOA)

| | | | |
|--|--|-----------------------------------|--------------|
| APPROVALS | | MOTOROLA MOBILE DEVICES | |
| ENGINEER: MMI | | BLOCK TITLE: | |
| LAST MODIFIED BY: MMI Thu Oct 01 16:22:47 2015 | | block_rffe | |
| MOTOROLA CONFIDENTIAL RESTRICTED | | PROJECT NAME | REV |
| THE DRAWING ON THIS PRINT AND INFORMATION THEREWITH ARE PROPRIETARY TO MOTOROLA AND SHALL NOT BE USED OR DISCUSSED IN WHOLE OR IN PART WITHOUT MOTOROLA'S CONSENT. © COPYRIGHT, MOTOROLA. THIS DOES NOT IMPLY PUBLICATION | | B 84016525.cpm | C |
| | | CAD FILE NAME: | PAGE 6 OF 47 |

RFFE:QFE2101
REF 8000-8020



BYPASS OPTION FOR VPA_VBATT
DNP APPROPRIATELY

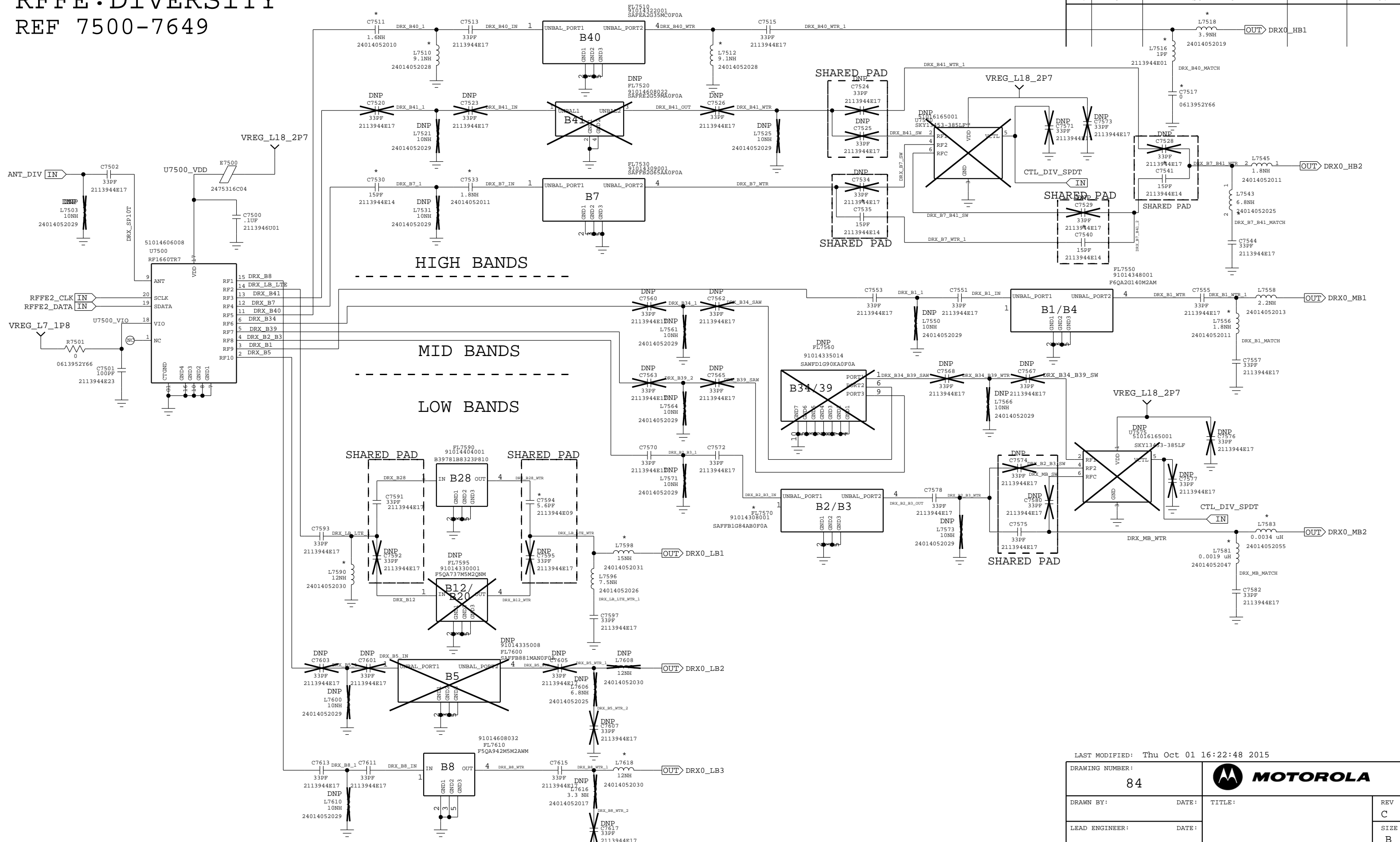
| | | | |
|--|--|-----------------------------------|----------|
| APPROVALS | | MOTOROLA MOBILE DEVICES | |
| ENGINEER: MMI | | BLOCK TITLE: | |
| LAST MODIFIED BY: MMI Thu Oct 01 16:22:52 2015 | | block_rffe | |
| MOTOROLA CONFIDENTIAL RESTRICTED <small>THE DRAWING ON THIS PRINT AND INFORMATION THEREWITH ARE PROPRIETARY TO MOTOROLA AND SHALL NOT BE USED OR DISCUSSED IN WHOLE OR IN PART WITHOUT MOTOROLA'S CONSENT. © COPYRIGHT, MOTOROLA. THIS DOES NOT IMPLY PUBLICATION</small> | | PROJECT NAME B 84016525.cpm | REV C |
| | | CAD FILE NAME: | |
| | | PAGE 7 OF 47 | |

RFFE: DIVERSITY

REF 7500-7649

| REVISIONS | | | | |
|-----------|-----|-------------|---------|----------|
| REV | ECN | DESCRIPTION | MADE BY | APPROVED |
| | | | | |

D
C
B
A



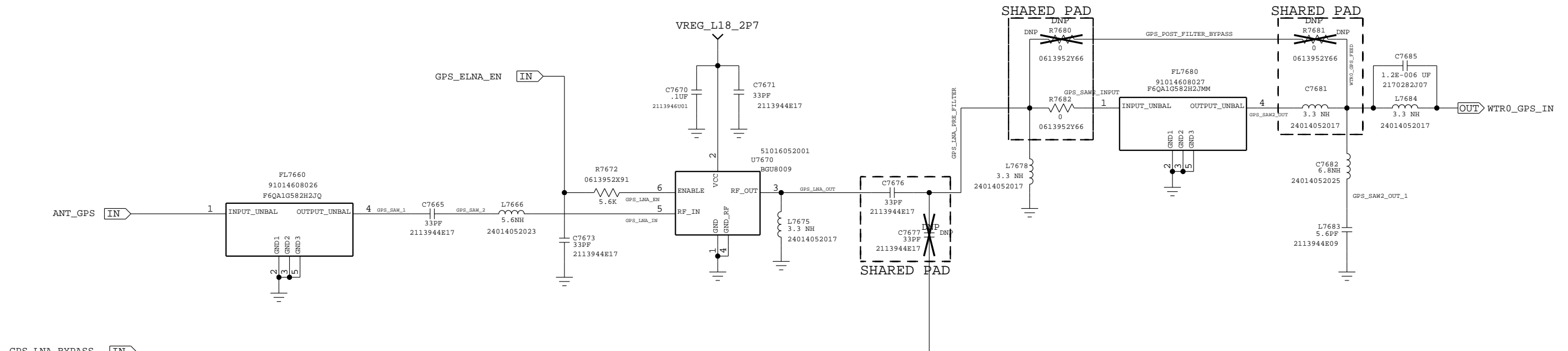
LAST MODIFIED: Thu Oct 01 16:22:48 2015

| | | | |
|------------------------------|----------------|--------------|-----------|
| DRAWING NUMBER: 84 | | | |
| DRAWN BY: | DATE: | TITLE: | REV C |
| LEAD ENGINEER: | DATE: | | SIZE B |
| ASSY NUMBER: | PCB FILE NAME: | PAGE 8 OF 47 | |

RFFE: GPS

REF 7650-7699

GPS



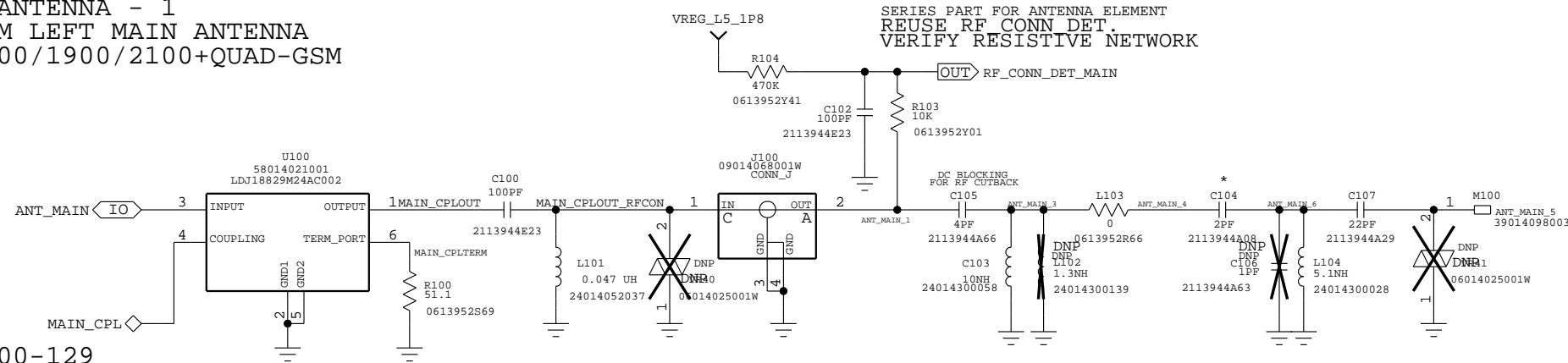
| | | | |
|--|--|-----------------------------------|----------|
| APPROVALS | | MOTOROLA MOBILE DEVICES | |
| ENGINEER: MMI | | BLOCK TITLE: | |
| LAST MODIFIED BY: MMI Wed Apr 07 06:22:48 2015 | | block_rffe | |
| MOTOROLA CONFIDENTIAL RESTRICTED <small>THE DRAWING ON THIS PRINT AND INFORMATION THEREWITH ARE PROPRIETARY TO MOTOROLA AND SHALL NOT BE USED OR DISCUSSED IN WHOLE OR IN PART WITHOUT MOTOROLA'S CONSENT. © COPYRIGHT, MOTOROLA. THIS DOES NOT IMPLY PUBLICATION</small> | | PROJECT NAME B 84016525.cpm | REV C |
| | | CAD FILE NAME: | |
| | | PAGE 9 OF 47 | |

ANTENNAS

REF 000-499

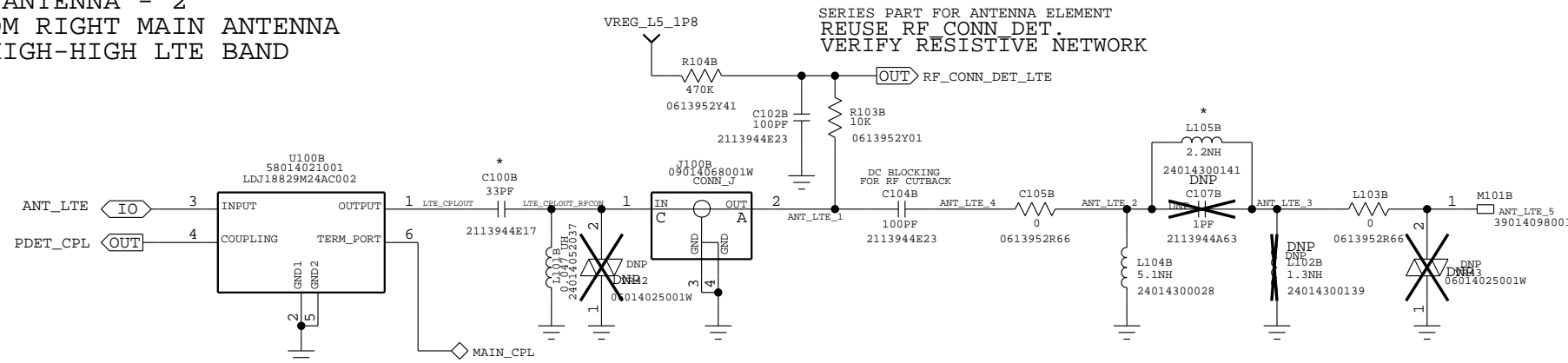
| REVISIONS | | | | |
|-----------|-----|-------------|---------|----------|
| REV | ECN | DESCRIPTION | MADE BY | APPROVED |
| | | | | |

MAIN ANTENNA - 1 BOTTOM LEFT MAIN ANTENNA 850/900/1900/2100+QUAD-GSM



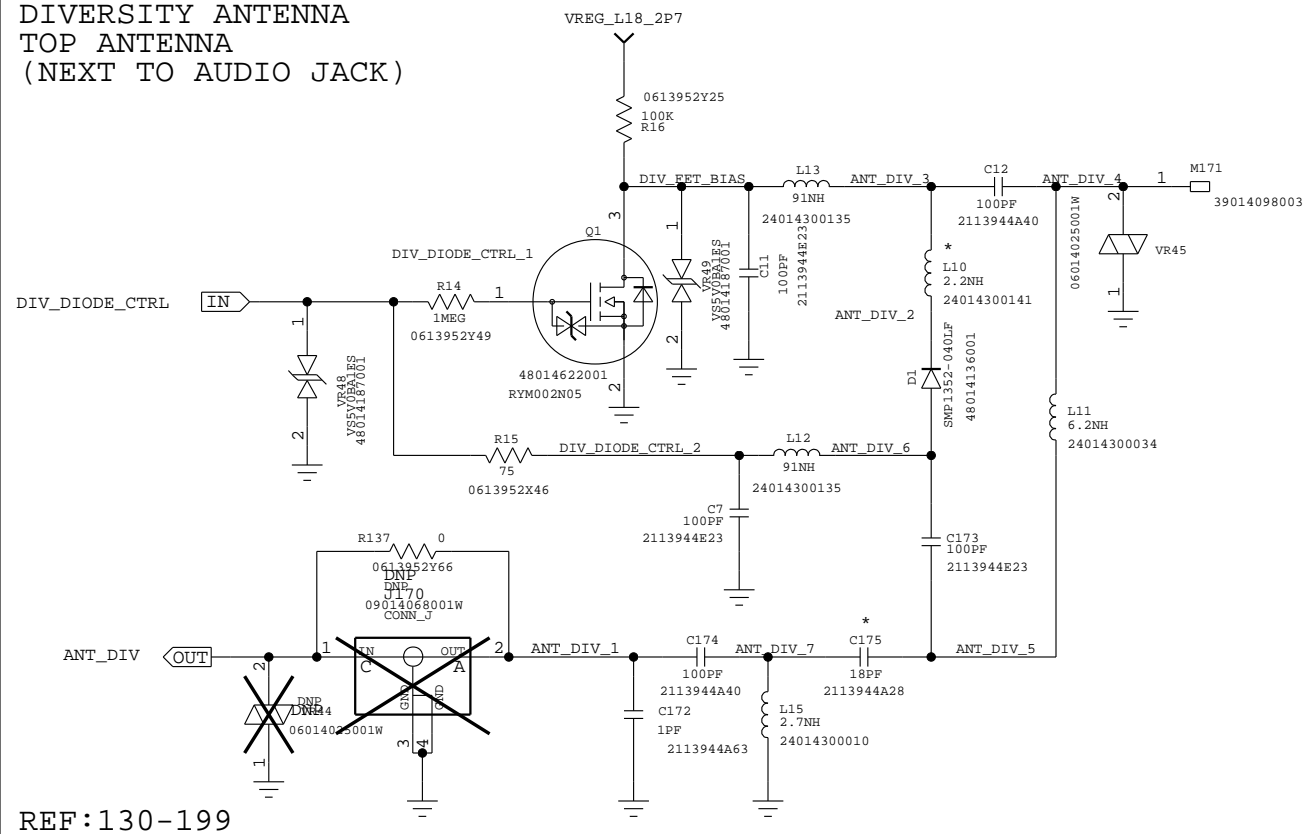
REF:100-129

MAIN ANTENNA - 2 BOTTOM RIGHT MAIN ANTENNA LOW/HIGH-HIGH LTE BAND



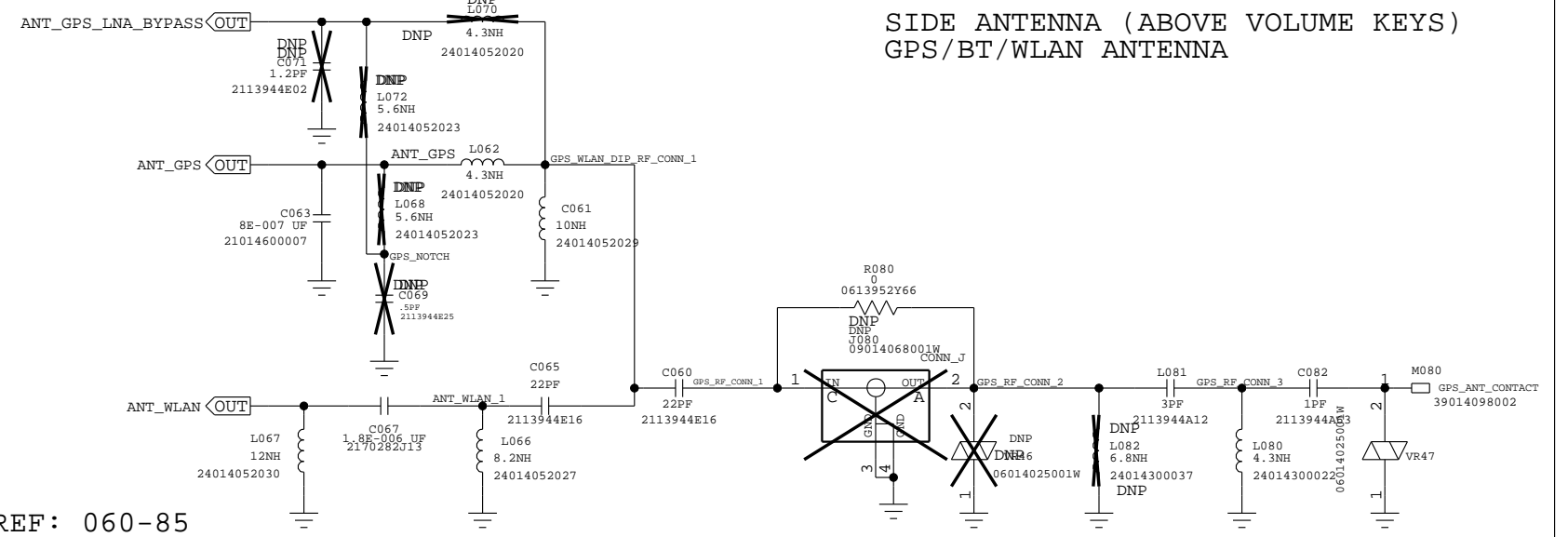
REF:100B-129B

DIVERSITY ANTENNA TOP ANTENNA (NEXT TO AUDIO JACK)



REF:130-199

SIDE ANTENNA (ABOVE VOLUME KEYS) GPS/BT/WLAN ANTENNA



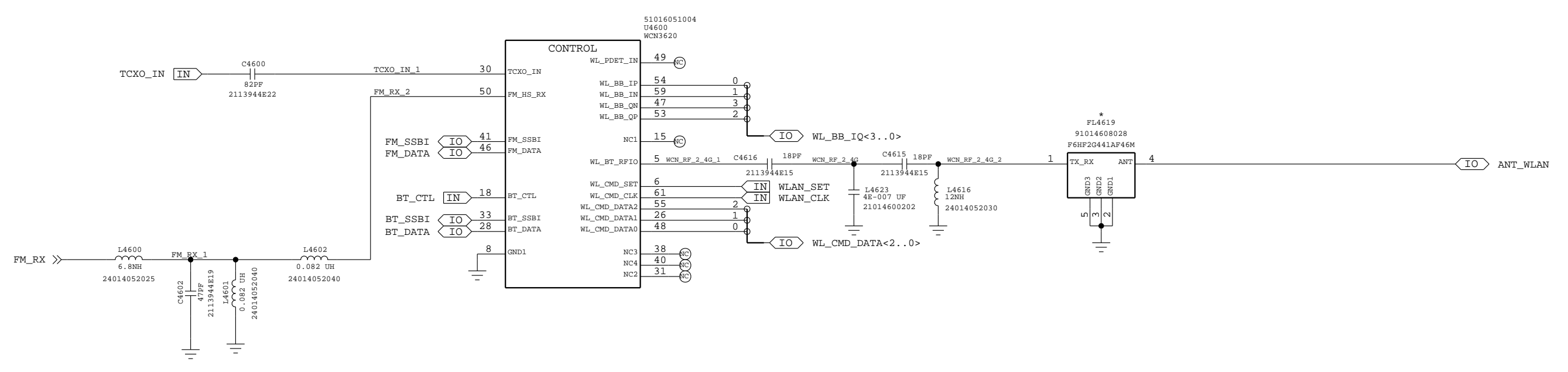
REF: 060-85

LAST MODIFIED: Thu Oct 01 16:22:53 2015

| | | | |
|------------------------------|----------------|---------------|-----------|
| DRAWING NUMBER: 84 | | | |
| DRAWN BY: | DATE: | TITLE: | REV C |
| LEAD ENGINEER: | DATE: | | SIZE B |
| ASSY NUMBER: | PCB FILE NAME: | PAGE 10 OF 47 | |

WCN3620 RF/CTRL

REF 4600-4699

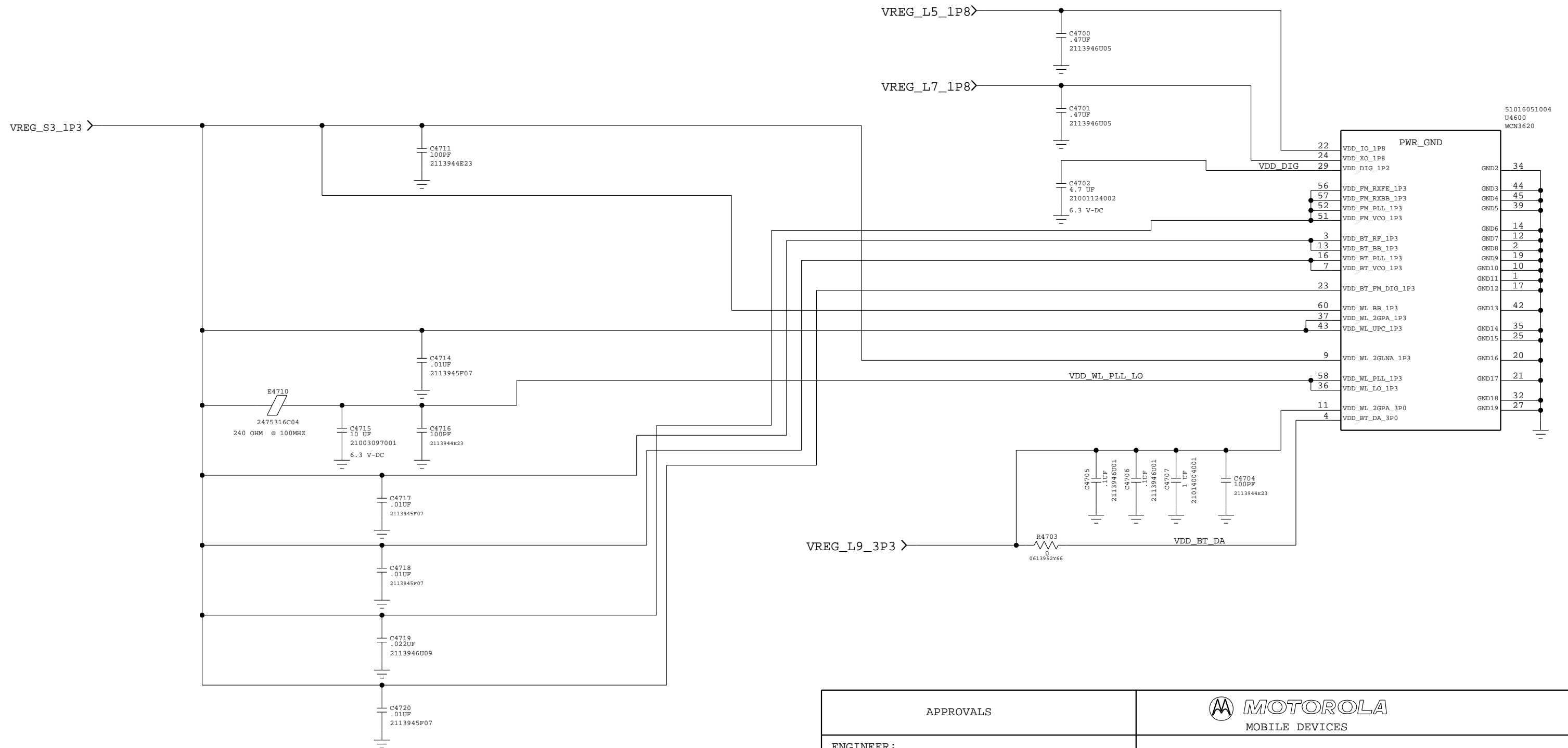


BASED ON 80-WL006-44 REV C

| | | | |
|--|--|---------------------------------------|----------|
| APPROVALS | | MOTOROLA MOBILE DEVICES | |
| ENGINEER : | | BLOCK TITLE : | |
| LAST MODIFIED BY: FROEHLING Thu Oct 01 16:22:54 2015 | | connectivity | |
| MOTOROLA CONFIDENTIAL RESTRICTED <small>THE DRAWING ON THIS PRINT AND INFORMATION THEREWITH ARE PROPRIETARY TO MOTOROLA AND SHALL NOT BE USED OR DISCUSSED IN WHOLE OR IN PART WITHOUT MOTOROLA'S CONSENT. © COPYRIGHT, MOTOROLA. THIS DOES NOT IMPLY PUBLICATION</small> | | PROJECT NAME B 84016525.cpm | REV C |
| | | CAD FILE NAME : | |
| | | PAGE 11 OF 47 | |

WCN3620 POWER

REF 4700-4749

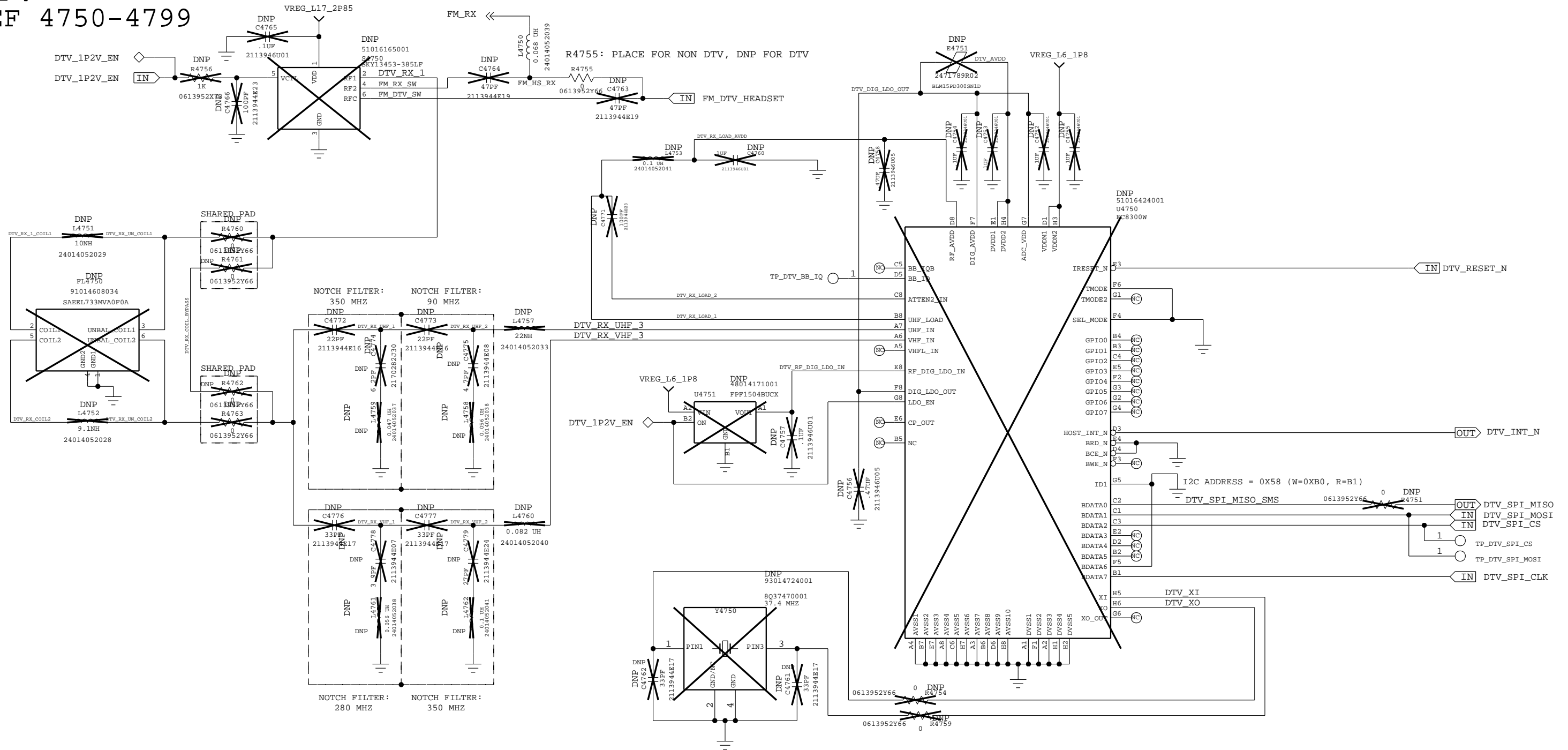


BASED ON 80-WL006-44 REV C

| | | | |
|--|--|-----------------------------------|---------------|
| APPROVALS | | MOTOROLA MOBILE DEVICES | |
| ENGINEER : | | BLOCK TITLE : | |
| LAST MODIFIED BY: FROEHLING Thu Oct 01 16:22:56 2015 | | connectivity | |
| MOTOROLA CONFIDENTIAL RESTRICTED <small>THE DRAWING ON THIS PRINT AND INFORMATION THEREWITH ARE PROPRIETARY TO MOTOROLA AND SHALL NOT BE USED OR DISCUSSED IN WHOLE OR IN PART WITHOUT MOTOROLA'S CONSENT. © COPYRIGHT, MOTOROLA. THIS DOES NOT IMPLY PUBLICATION</small> | | PROJECT NAME B 84016525.cpm | REV C |
| | | CAD FILE NAME : | PAGE 12 OF 47 |

DTV

REF 4750-4799



APPROVALS

ENGINEER :

LAST MODIFIED BY: GSHIMON
Thu Oct 01 16:22:55 2015

MOTOROLA CONFIDENTIAL RESTRICTED

THE DRAWING ON THIS PRINT AND INFORMATION
THEREWITH ARE PROPRIETARY TO MOTOROLA AND
SHALL NOT BE USED OR DISCUSSED IN WHOLE
OR IN PART WITHOUT MOTOROLA'S CONSENT.
© COPYRIGHT, MOTOROLA. THIS DOES
NOT IMPLY PUBLICATION



BLOCK TITLE:

connectivity

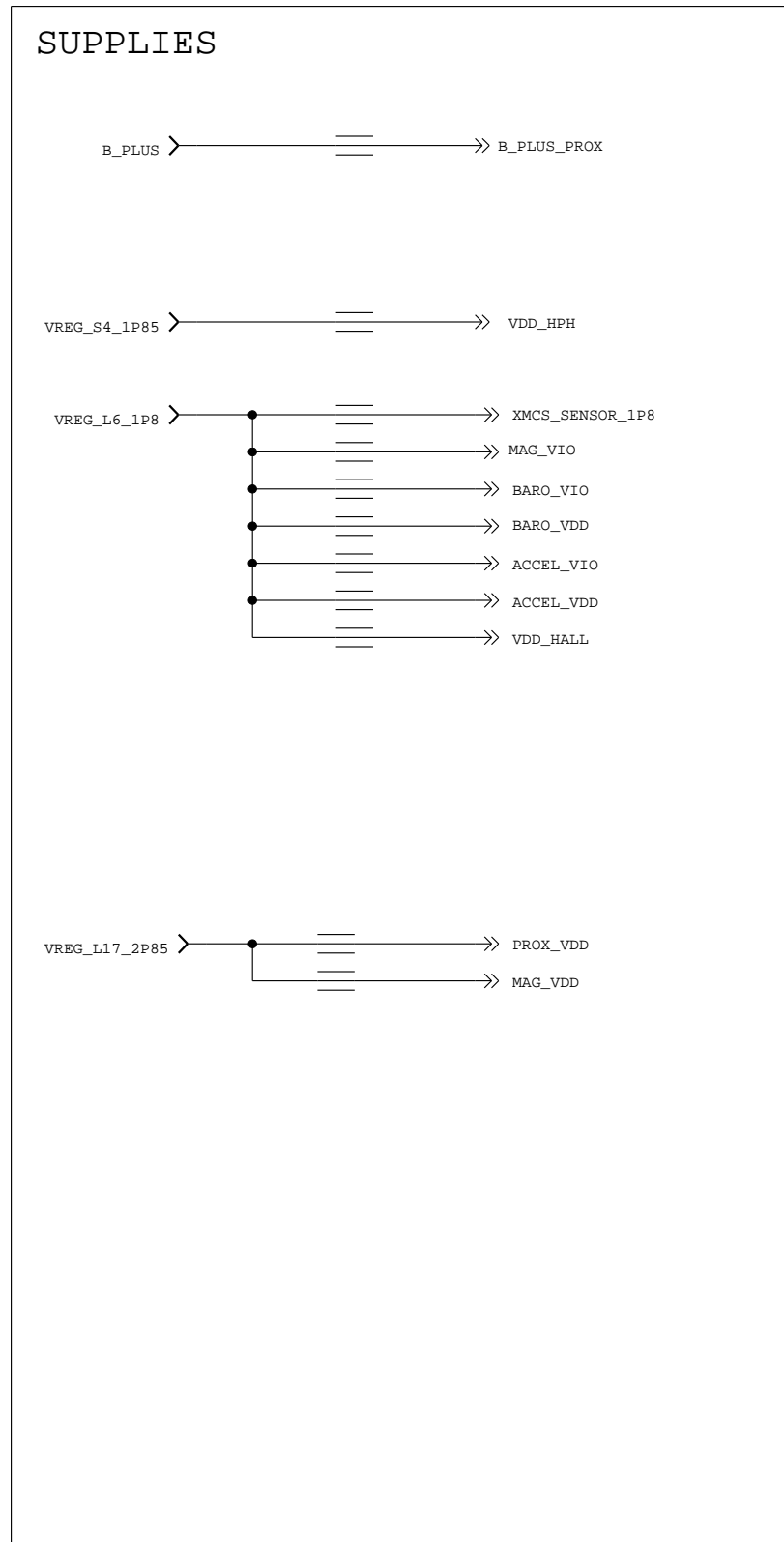
PROJECT NAME
B 84016525.cpm

CAD FILE NAME:

REV
C

XMCS: POWER

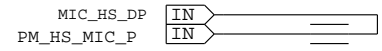
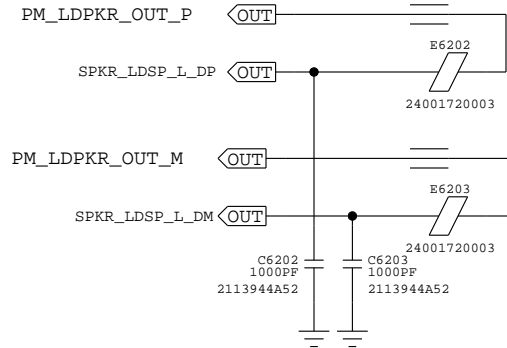
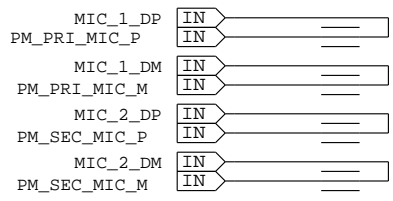
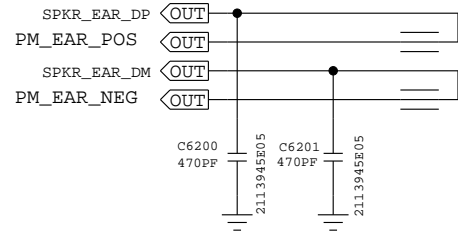
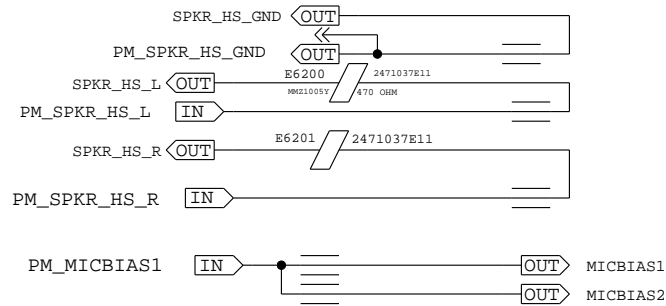
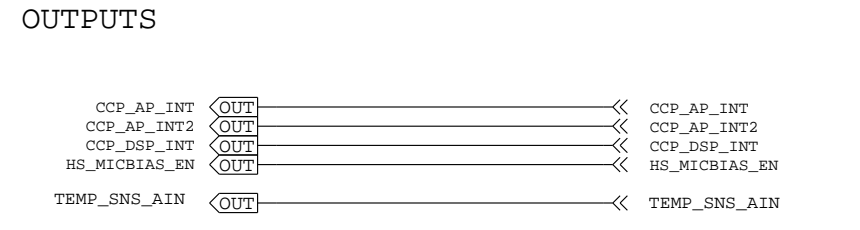
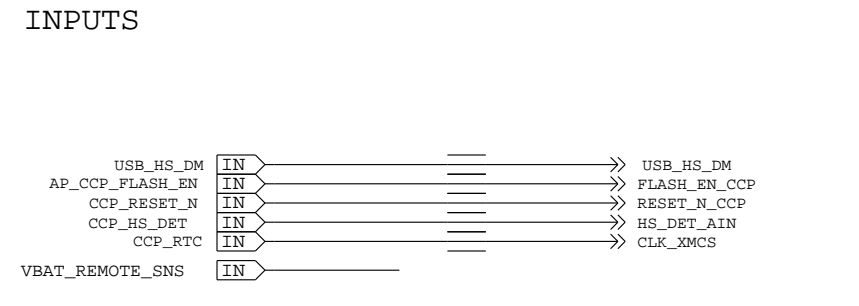
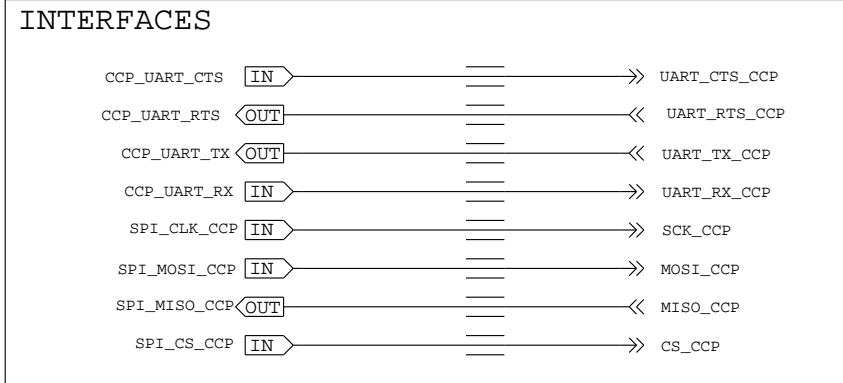
REF 6000-6999



| | | | |
|--|--|-----------------------------------|-----|
| APPROVALS | | MOTOROLA MOBILE DEVICES | |
| ENGINEER: NATE CONNELL | | BLOCK TITLE: | |
| LAST MODIFIED BY: NATE CONNELL Tue Aug 11 13:53:04 2015 | | xmcs | |
| MOTOROLA CONFIDENTIAL RESTRICTED <small>THE DRAWING ON THIS PRINT AND INFORMATION THEREWITH ARE PROPRIETARY TO MOTOROLA AND SHALL NOT BE USED OR DISCUSSED IN WHOLE OR IN PART WITHOUT MOTOROLA'S CONSENT. © COPYRIGHT, MOTOROLA. THIS DOES NOT IMPLY PUBLICATION</small> | | PROJECT NAME | REV |
| | | B 84016525.cpm | C |
| | | CAD FILE NAME: | |
| | | PAGE 14 OF 47 | |

XMCS : PORTS

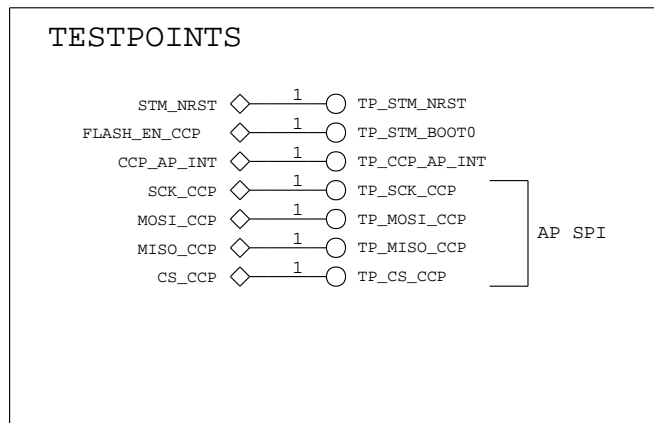
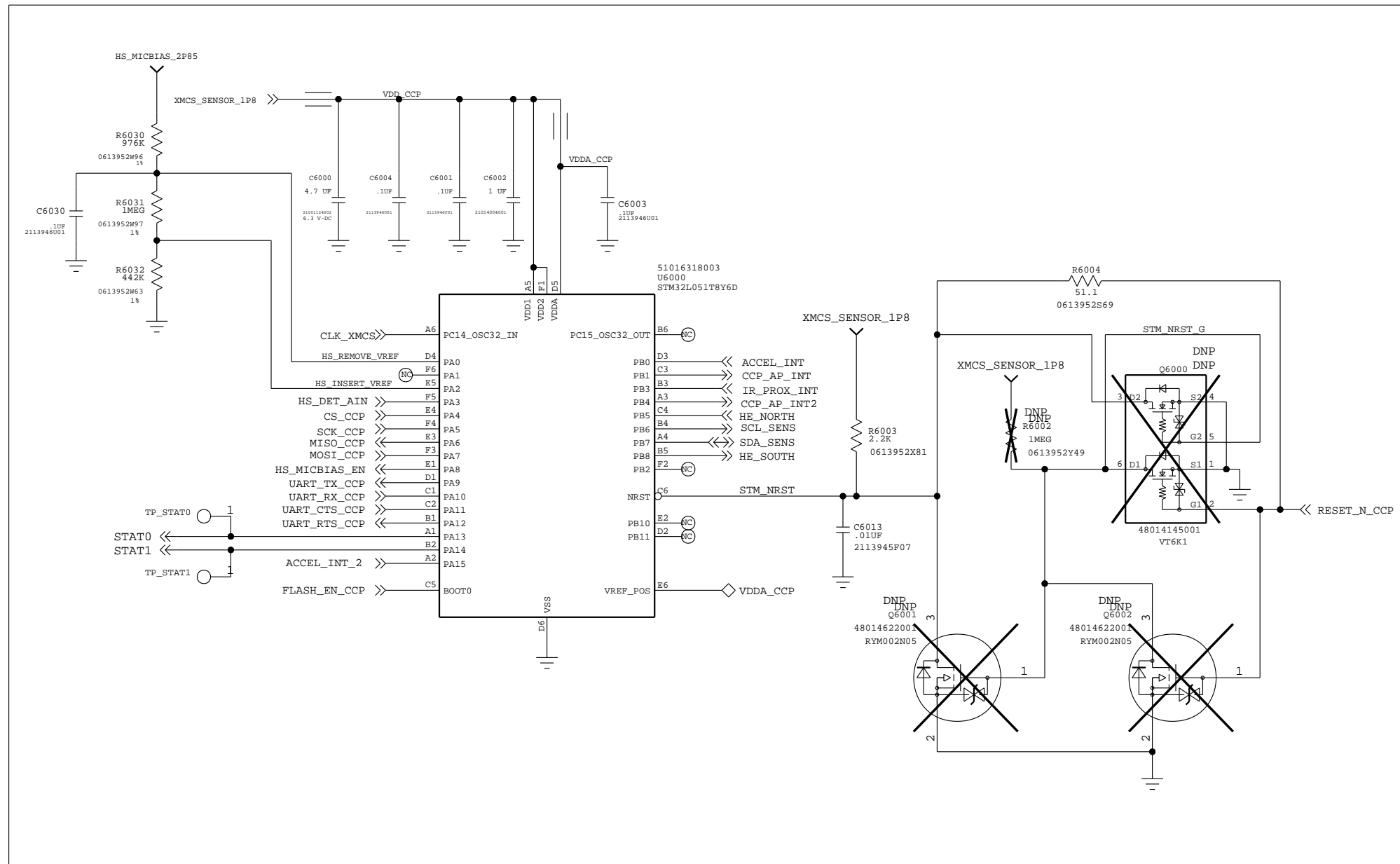
REF 6000-6999



| | | | |
|--|--|---------------------------------------|-----------------|
| APPROVALS | | MOTOROLA MOBILE DEVICES | |
| ENGINEER: RAUL LOPEZ | | BLOCK TITLE: | |
| LAST MODIFIED BY: NATE CONNELL Thu Oct 01 16:22:58 2015 | | xmcs | |
| MOTOROLA CONFIDENTIAL RESTRICTED <small>THE DRAWING ON THIS PRINT AND INFORMATION THEREWITH ARE PROPRIETARY TO MOTOROLA AND SHALL NOT BE USED OR DISCUSSED IN WHOLE OR IN PART WITHOUT MOTOROLA'S CONSENT. © COPYRIGHT, MOTOROLA. THIS DOES NOT IMPLY PUBLICATION</small> | | PROJECT NAME B 84016525.cpm | REV C |
| | | CAD FILE NAME: | |
| | | PAGE 15 OF 47 | |

XMCS: CCP

REF: 6000-6049



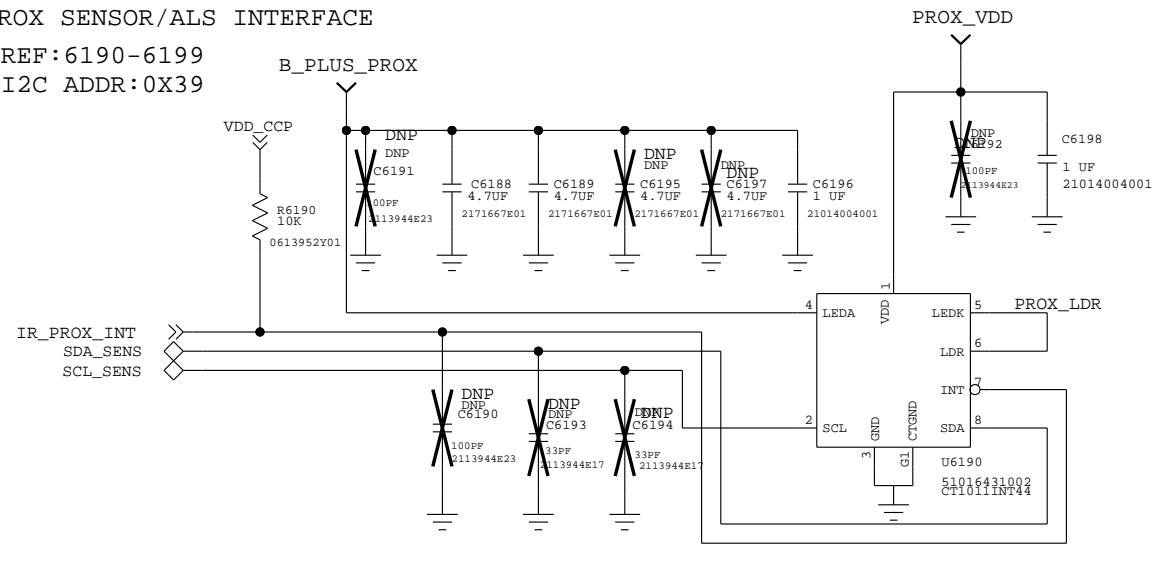
| | | | |
|---|--|-----------------------------------|-----|
| APPROVALS | | MOTOROLA MOBILE DEVICES | |
| ENGINEER: JOHN GORSICA | | BLOCK TITLE: | |
| LAST MODIFIED BY: NATE CONNELL Thu Oct 01 16:22:56 2015 | | xmcs | |
| MOTOROLA CONFIDENTIAL RESTRICTED | | PROJECT NAME | REV |
| THE DRAWING ON THIS PRINT AND INFORMATION THEREWITH ARE PROPRIETARY TO MOTOROLA AND SHALL NOT BE USED OR DISCUSSED IN WHOLE OR IN PART WITHOUT MOTOROLA'S CONSENT. © COPYRIGHT, MOTOROLA. THIS DOES NOT IMPLY PUBLICATION | | B 84016525.cpm | C |
| | | CAD FILE NAME: | |
| | | PAGE 16 OF 47 | |

SENSORS

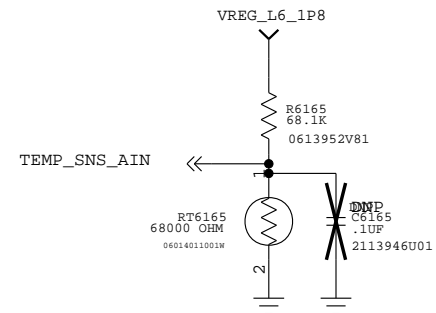
REF: 6100-6199

PROX SENSOR/ALS INTERFACE

REF: 6190-6199
I2C ADDR: 0X39

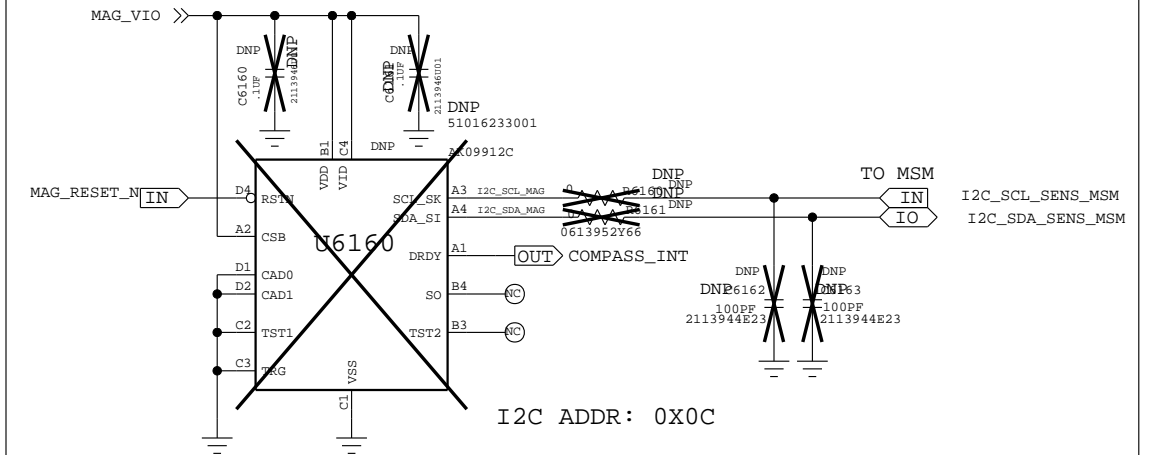


BOARD TEMP SENSOR



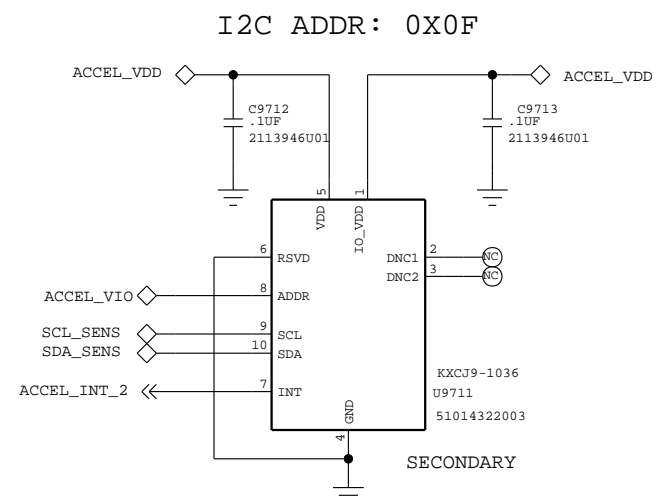
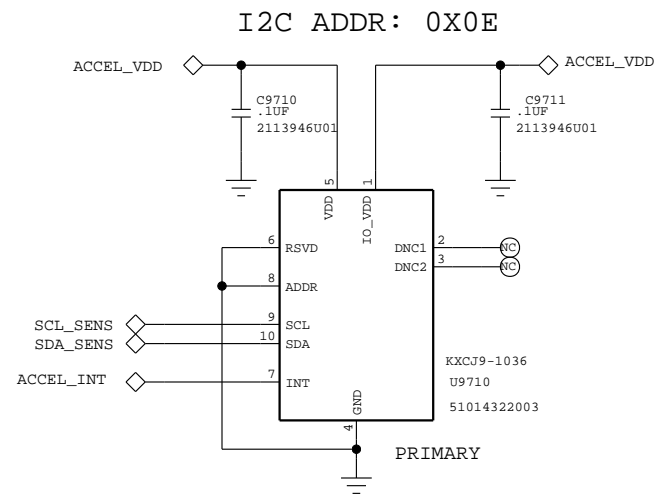
MAGNETOMETER

REF: 6160-6169

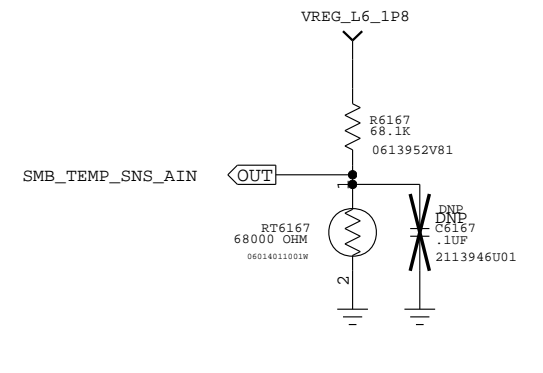


ACCELEROMETER

REF: 9710-9719

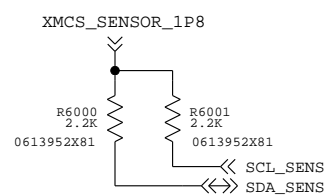
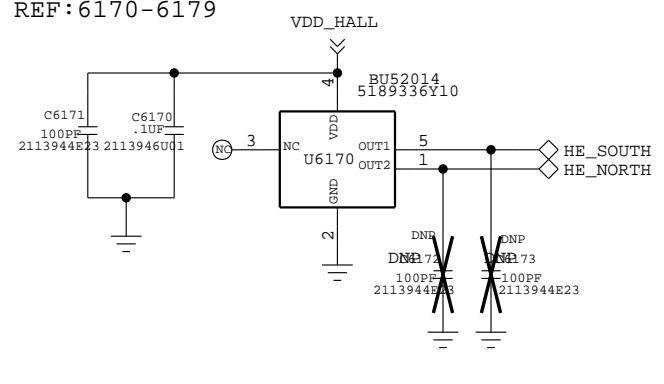


CHRG TEMP SENSOR



HALL EFFECT

REF: 6170-6179



JOHN GORSICA/NATE CONNELL
APPROVALS

ENGINEER: C HERNANDEZ

LAST MODIFIED BY: C HERNANDEZ
Thu Oct 01 16:22:57 2015

MOTOROLA CONFIDENTIAL RESTRICTED

THE DRAWING ON THIS PRINT AND INFORMATION
THEREWITH ARE PROPRIETARY TO MOTOROLA AND
SHALL NOT BE USED OR DISCUSSED IN WHOLE
OR IN PART WITHOUT MOTOROLA'S CONSENT.
© COPYRIGHT, MOTOROLA. THIS DOES
NOT IMPLY PUBLICATION

MOTOROLA
MOBILE DEVICES

BLOCK TITLE:

xmcs

PROJECT NAME
84016525.APRAGOOCHIE

REV
01

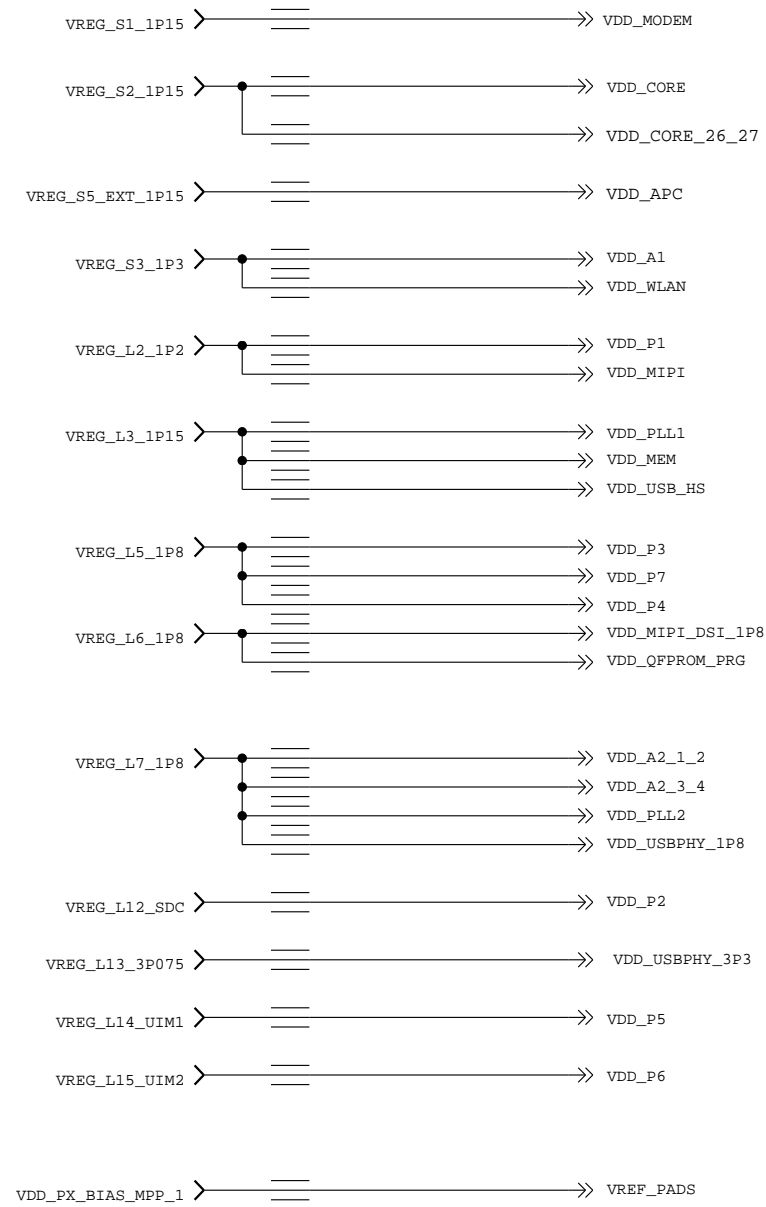
CAD FILE NAME:


PAGE 17 OF 47

MSM: POWER

REF: 1000-1999

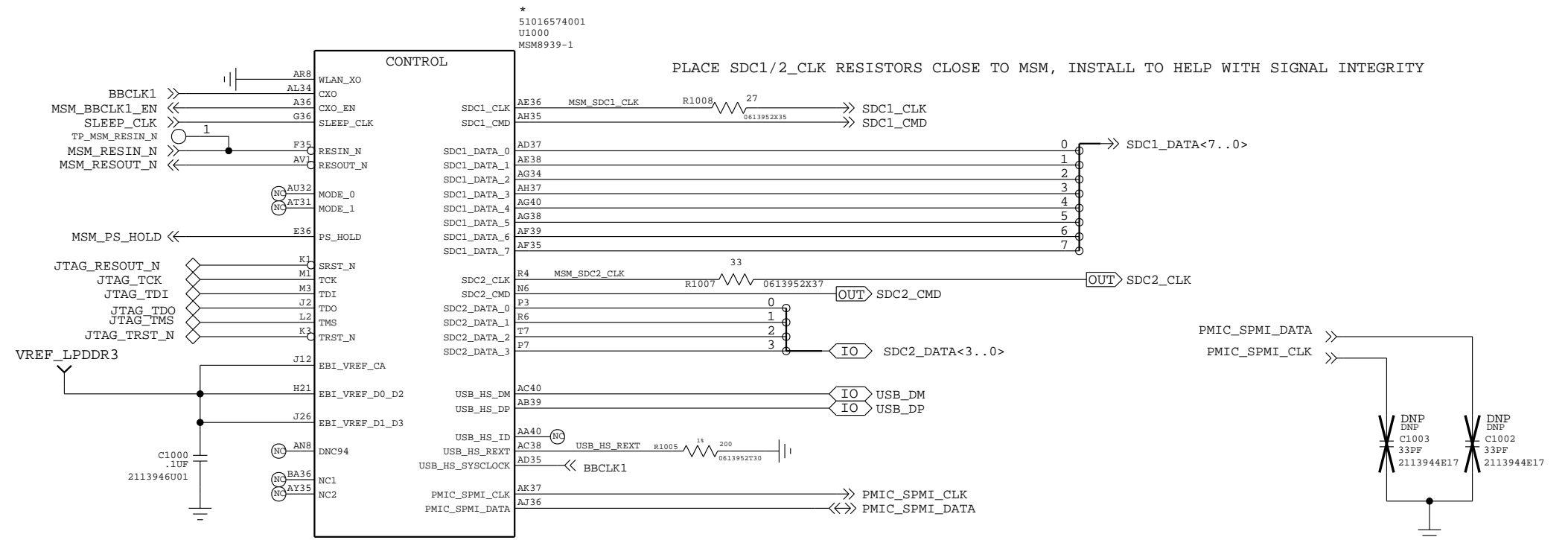
SUPPLIES



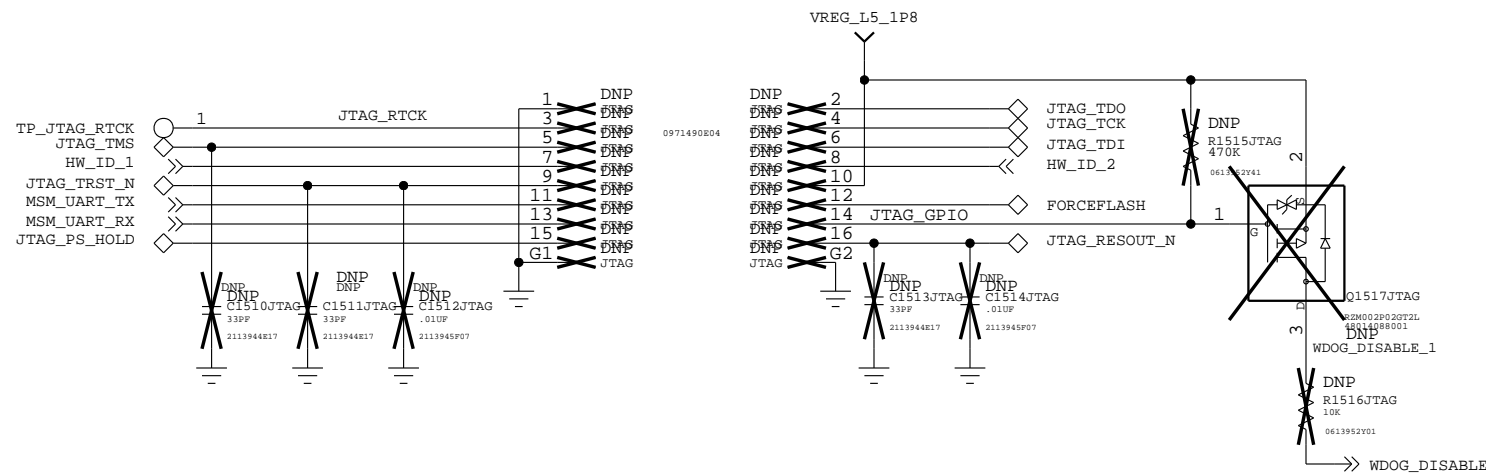
| | | | |
|---|--|---|----------|
| APPROVALS | |  MOTOROLA MOBILE DEVICES | |
| ENGINEER: NATE CONNELL | | BLOCK TITLE: | |
| LAST MODIFIED BY: NATE CONNELL Tue Aug 11 13:52:53 2015 | | ap_pmic | |
| MOTOROLA CONFIDENTIAL RESTRICTED <small>THE DRAWING ON THIS PRINT AND INFORMATION THEREWITH ARE PROPRIETARY TO MOTOROLA AND SHALL NOT BE USED OR DISCUSSED IN WHOLE OR IN PART WITHOUT MOTOROLA'S CONSENT. © COPYRIGHT, MOTOROLA. THIS DOES NOT IMPLY PUBLICATION</small> | | PROJECT NAME B 84016525.cpm | REV C |
| | | CAD FILE NAME: | |
| | | PAGE 18 OF 47 | |

MSM: CTRL

REF 1000-1099

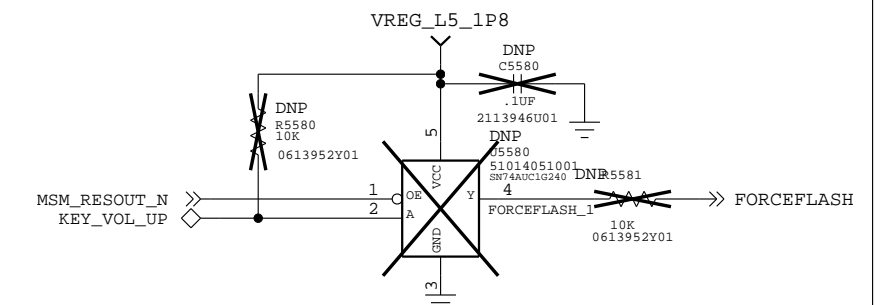


JTAG:MINI



FORCE FLASH SUPPORT WITH VOL UP KEY

(DNI FOR PRODUCTION)

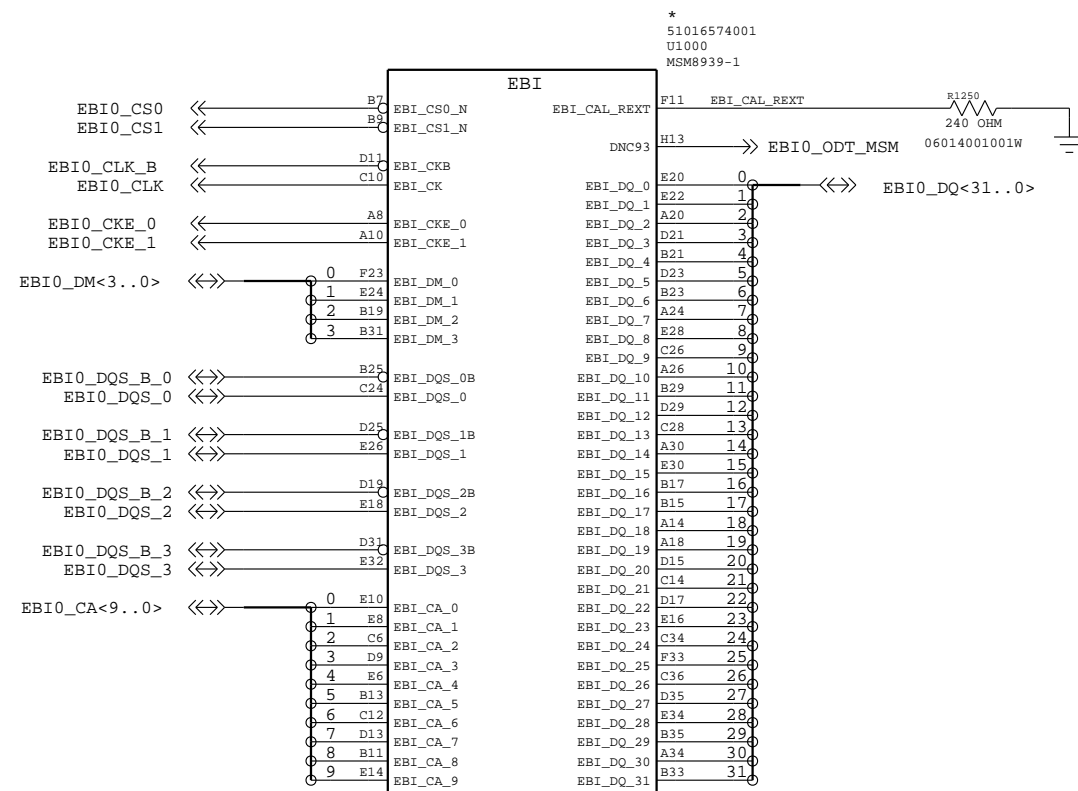
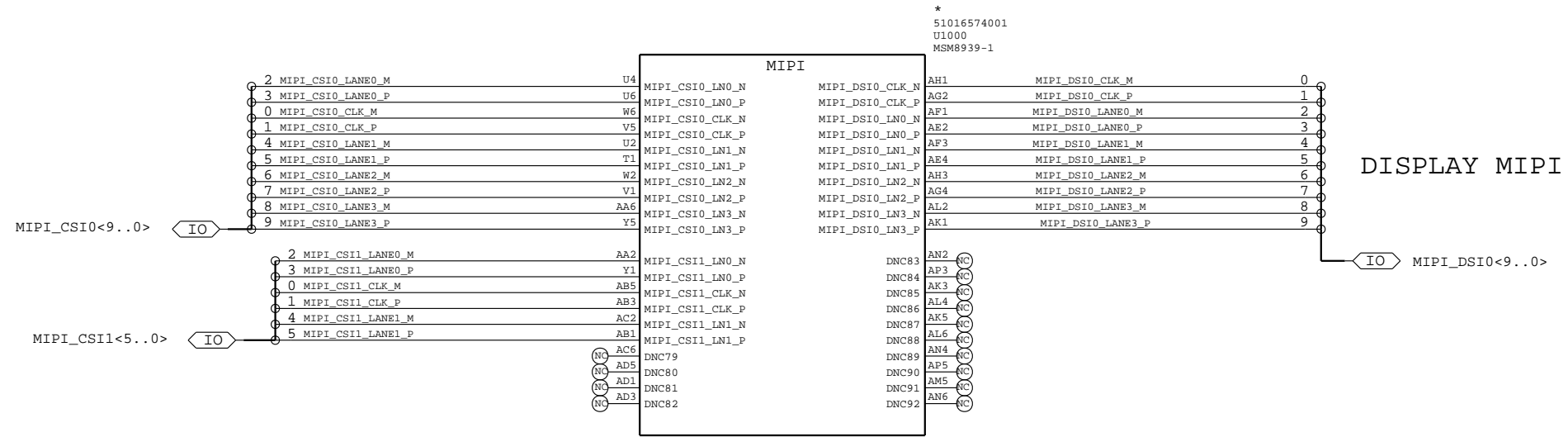


REF:5580-5589

| | | | |
|--|--|-----------------------------------|-----|
| APPROVALS | | MOTOROLA MOBILE DEVICES | |
| ENGINEER : | | BLOCK TITLE : | |
| LAST MODIFIED BY: FAN021 Thu Oct 01 16:22:59 2015 | | ap_pmic | |
| MOTOROLA CONFIDENTIAL RESTRICTED | | PROJECT NAME | REV |
| THE DRAWING ON THIS PRINT AND INFORMATION THEREWITH ARE PROPRIETARY TO MOTOROLA AND SHALL NOT BE USED OR DISCUSSED IN WHOLE OR IN PART WITHOUT MOTOROLA'S CONSENT. © COPYRIGHT, MOTOROLA. THIS DOES NOT IMPLY PUBLICATION | | B 84016525.cpm | C |
| | | CAD FILE NAME : | |
| | | PAGE 19 OF 47 | |

MSM: MIPI/DSI/CSI/EBIO

REF 1200-1299

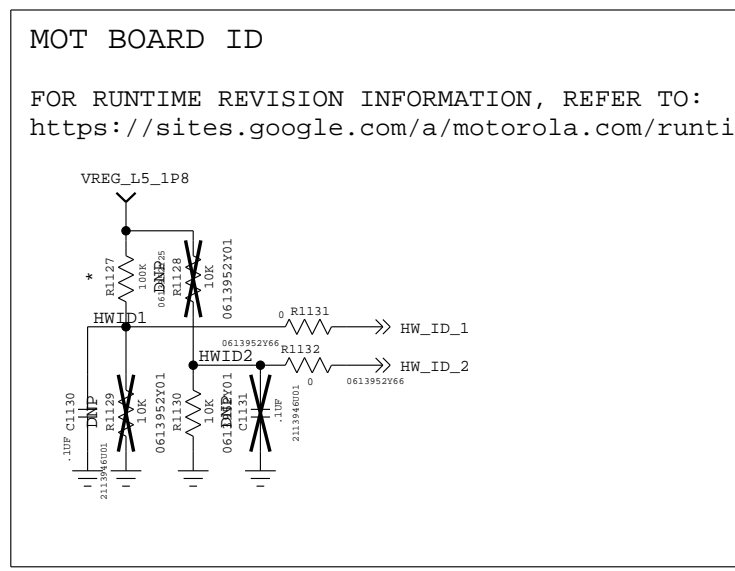
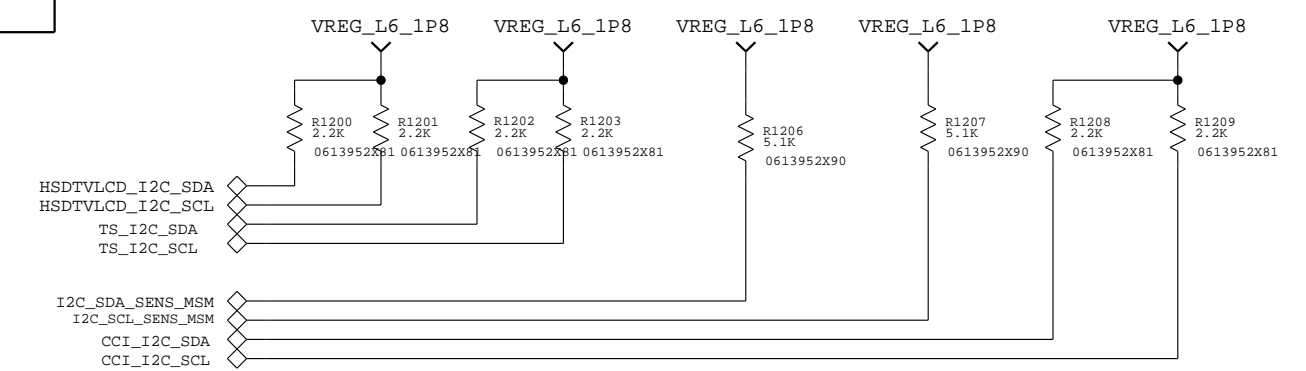
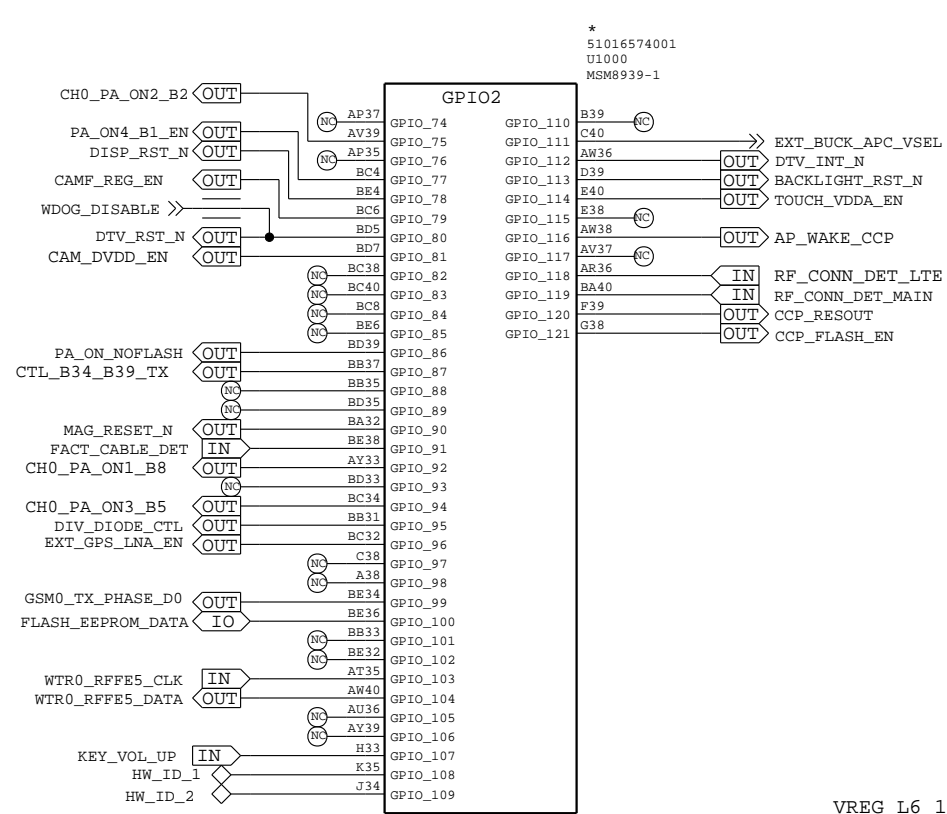
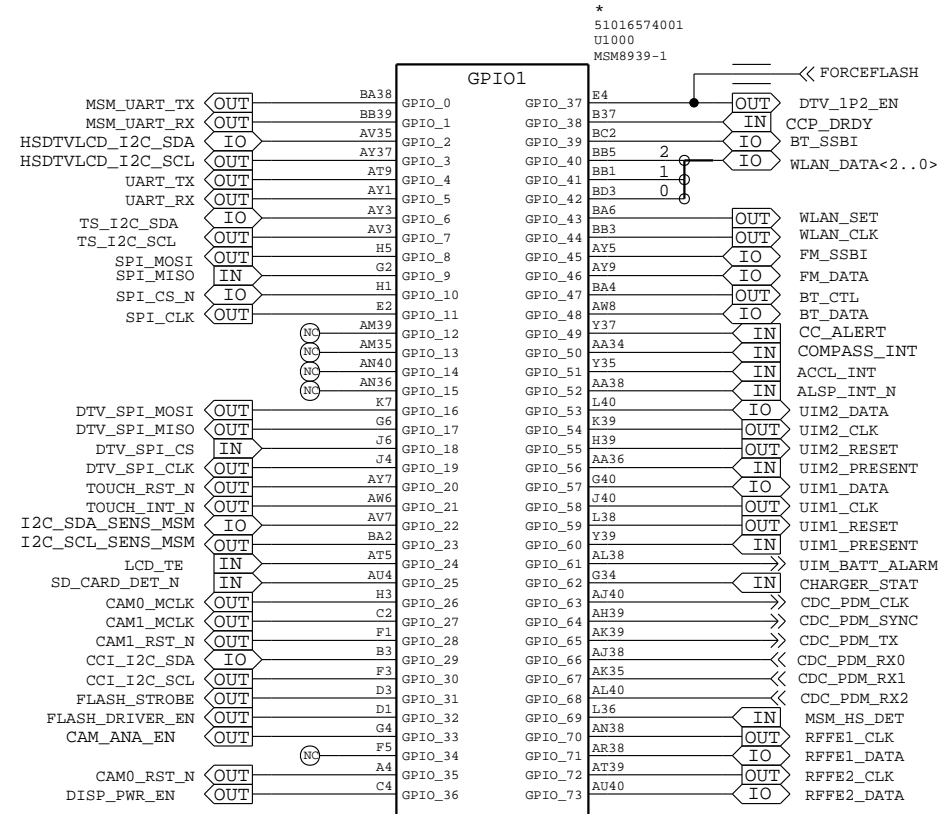


| | | | |
|---|--|-----------------------------------|----------|
| APPROVALS | | MOTOROLA MOBILE DEVICES | |
| ENGINEER : | | BLOCK TITLE : | |
| LAST MODIFIED BY : Thu Oct 01 16:23:10 2015 | | ap_pmic | |
| MOTOROLA CONFIDENTIAL RESTRICTED THE DRAWING ON THIS PRINT AND INFORMATION THERWITH ARE PROPRIETARY TO MOTOROLA AND SHALL NOT BE USED OR DISCUSSED IN WHOLE OR IN PART WITHOUT MOTOROLA'S CONSENT. © COPYRIGHT, MOTOROLA. THIS DOES NOT IMPLY PUBLICATION | | PROJECT NAME B 84016525.cpm | REV C |
| | | CAD FILE NAME : | |
| | | PAGE 20 OF 47 | |

MSM: GPIO (0-101)

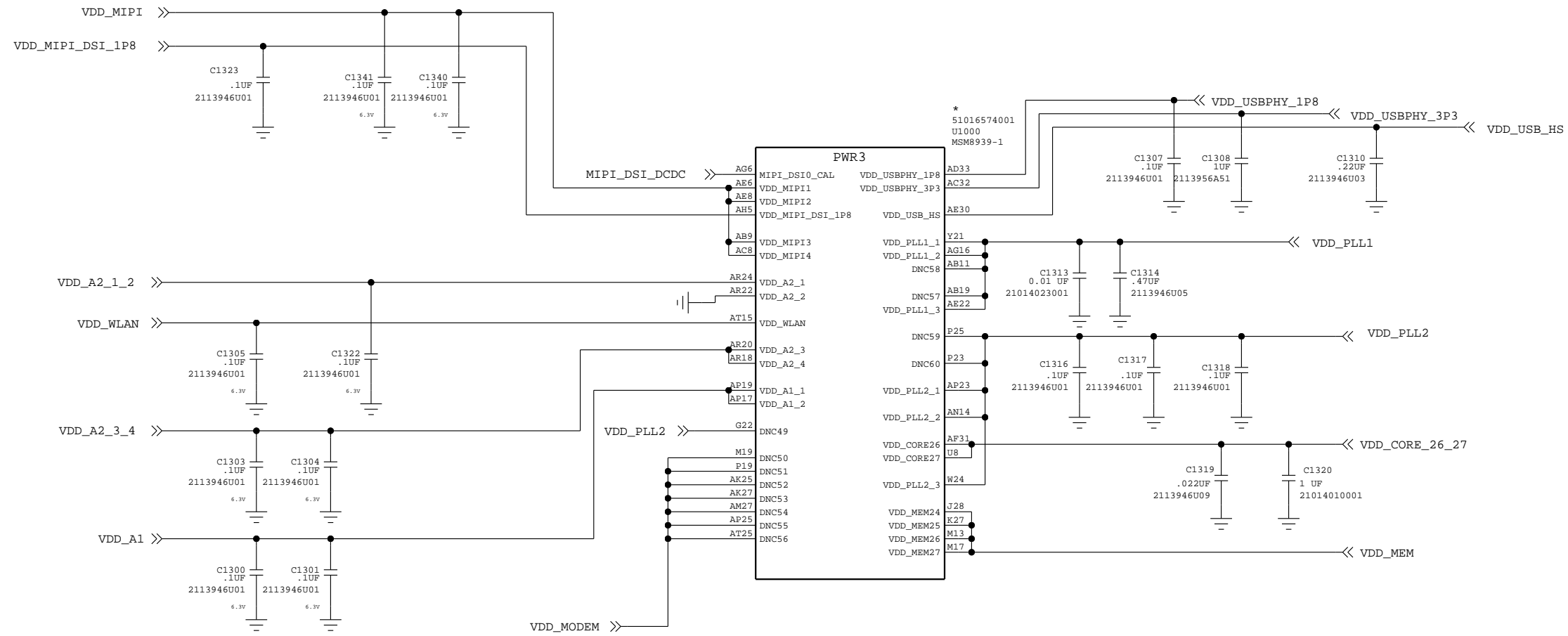
REF 1200-1299

8 7 6 5 4 3 2 1



MSM: PWR1

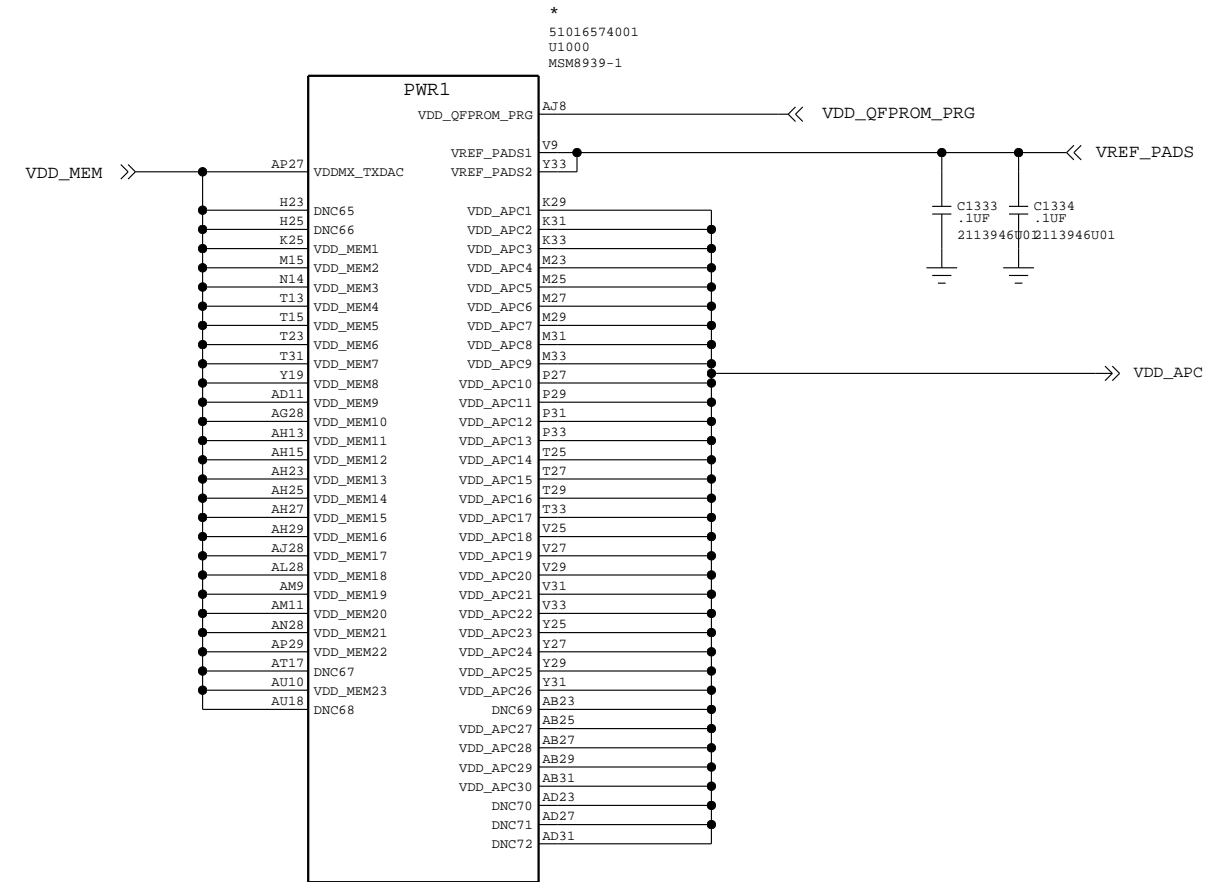
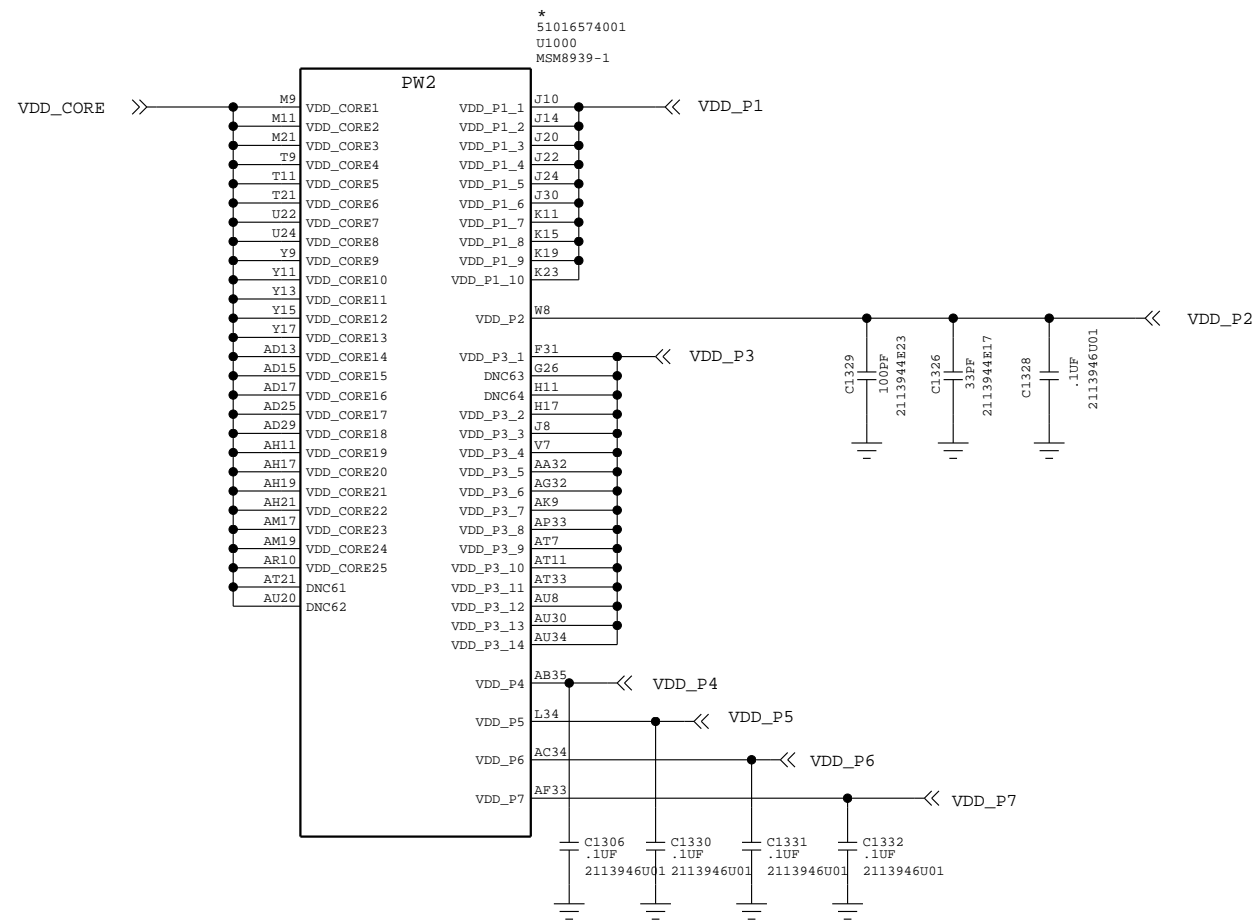
REF 1300-1399



| | | | |
|--|--|---------------------------------------|----------|
| APPROVALS | | MOTOROLA MOBILE DEVICES | |
| ENGINEER : | | BLOCK TITLE : | |
| LAST MODIFIED BY: FAN021 Thu Oct 01 16:23:04 2015 | | ap_pmic | |
| MOTOROLA CONFIDENTIAL RESTRICTED <small>THE DRAWING ON THIS PRINT AND INFORMATION THEREWITH ARE PROPRIETARY TO MOTOROLA AND SHALL NOT BE USED OR DISCUSSED IN WHOLE OR IN PART WITHOUT MOTOROLA'S CONSENT. © COPYRIGHT, MOTOROLA. THIS DOES NOT IMPLY PUBLICATION</small> | | PROJECT NAME B 84016525.cpm | REV C |
| | | CAD FILE NAME : | |
| | | PAGE 22 OF 47 | |

MSM: PWR2

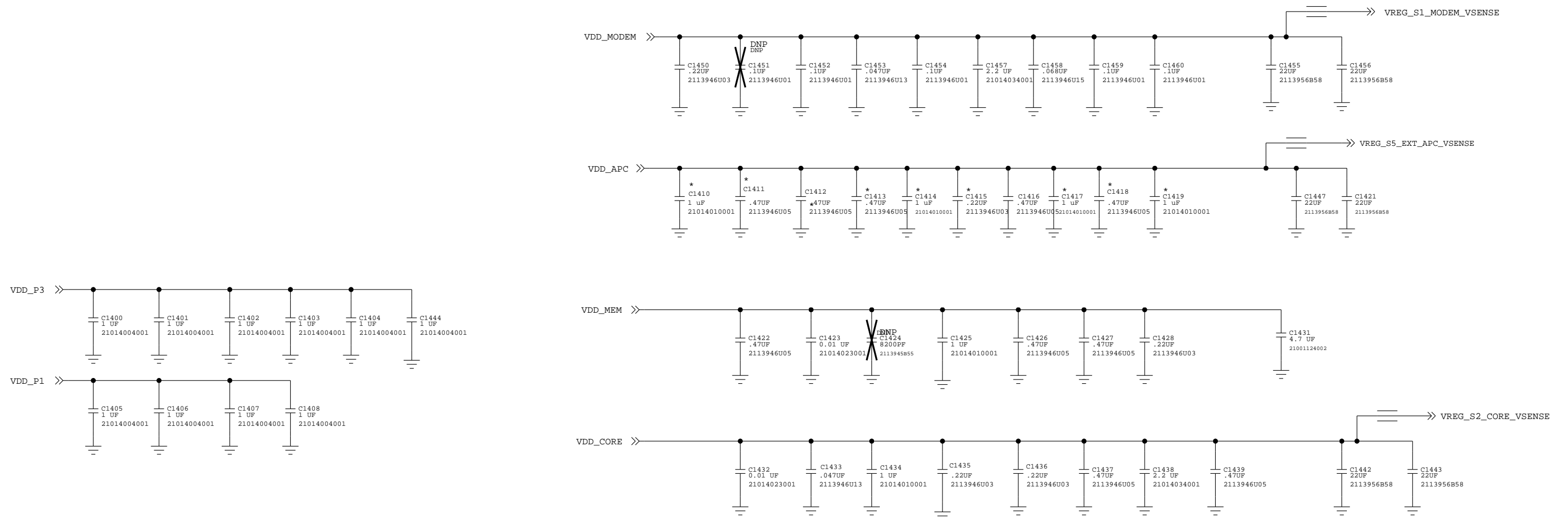
REF 1300-1399



| | | | |
|---|--|---------------------------------------|-----------------|
| APPROVALS | | MOTOROLA MOBILE DEVICES | |
| ENGINEER : | | BLOCK TITLE : | |
| LAST MODIFIED BY: FAN021 Thu Oct 01 16:23:05 2015 | | ap_pmic | |
| MOTOROLA CONFIDENTIAL RESTRICTED <small>THE DRAWING ON THIS PRINT AND INFORMATION THEREWITH ARE PROPRIETARY TO MOTOROLA AND SHALL NOT BE USED OR DISCUSSED IN WHOLE OR IN PART WITHOUT MOTOROLA'S CONSENT. © COPYRIGHT, MOTOROLA. THIS DOES NOT IMPLY PUBLICATION</small> | | PROJECT NAME B 84016525.cpm | REV C |
| | | CAD FILE NAME : | |
| | | PAGE 23 OF 47 | |

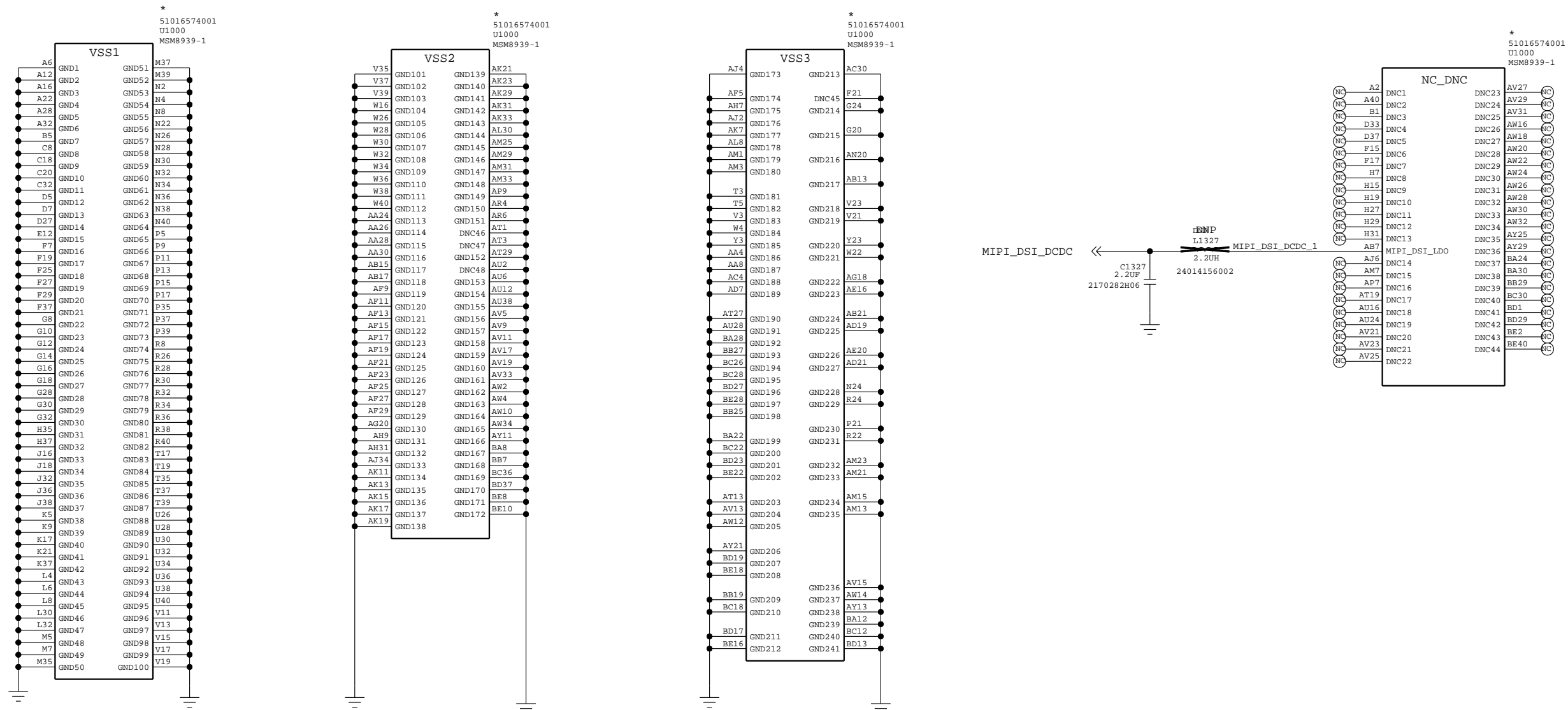
MSM: BYPASS CAPS

REF 1400-1499



| | | | |
|--|--|-----------------------------------|----------|
| APPROVALS | | MOTOROLA MOBILE DEVICES | |
| ENGINEER : | | BLOCK TITLE : | |
| LAST MODIFIED BY:FAN021 Fri Oct 09 16:32:25 2015 | | ap_pmic | |
| MOTOROLA CONFIDENTIAL RESTRICTED <small>THE DRAWING ON THIS PRINT AND INFORMATION THEREWITH ARE PROPRIETARY TO MOTOROLA AND SHALL NOT BE USED OR DISCUSSED IN WHOLE OR IN PART WITHOUT MOTOROLA'S CONSENT. © COPYRIGHT, MOTOROLA. THIS DOES NOT IMPLY PUBLICATION</small> | | PROJECT NAME 84016525.cpm | REV C |
| | | CAD FILE NAME : | |
| | | PAGE 24 OF 47 | |

MSM: GROUND



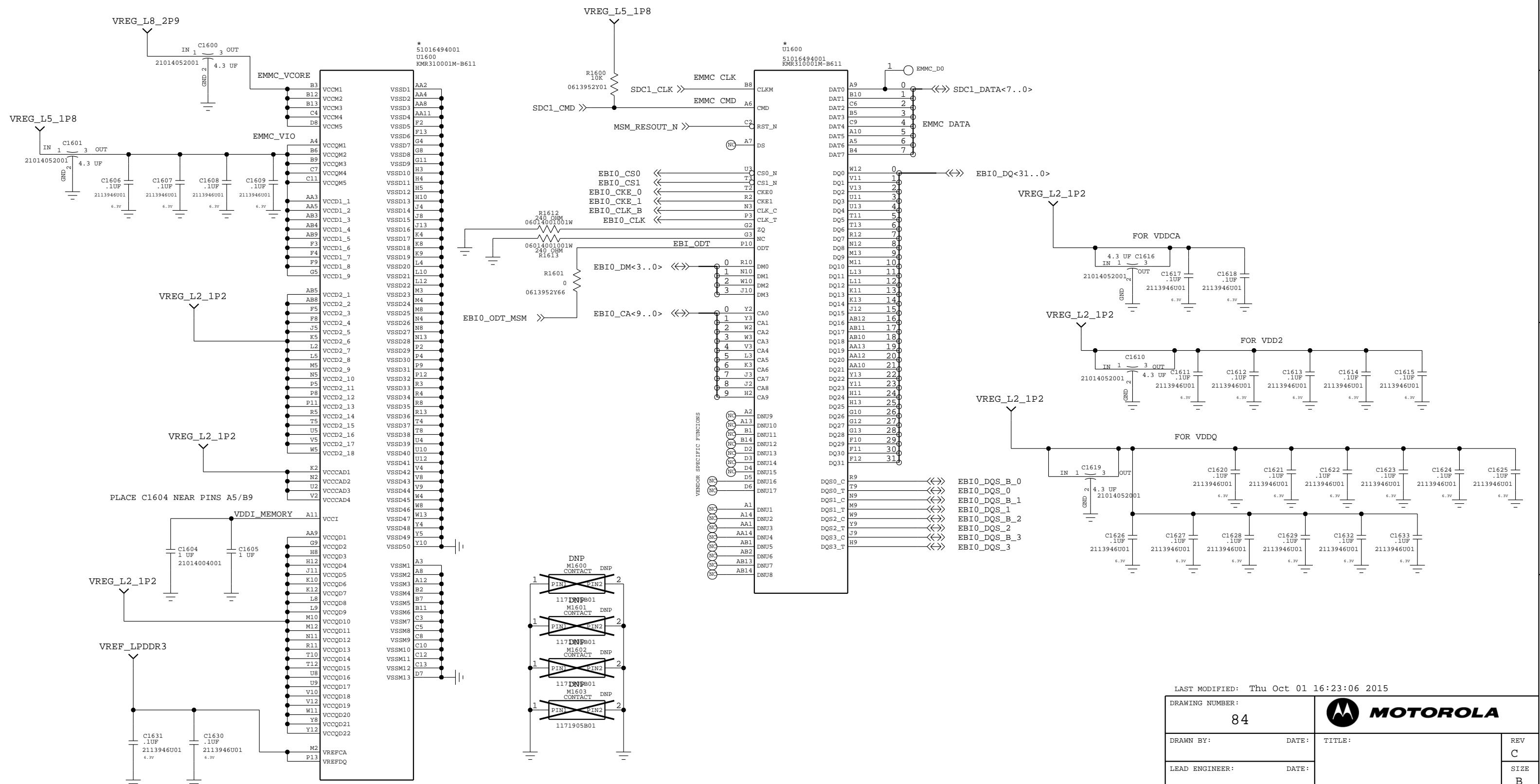
| | | | |
|--|--|-----------------------------------|----------|
| APPROVALS | | MOTOROLA MOBILE DEVICES | |
| ENGINEER: | | BLOCK TITLE: | |
| LAST MODIFIED BY: FAN021 Thu Oct 01 16:23:11 2015 | | ap_pmic | |
| MOTOROLA CONFIDENTIAL RESTRICTED <small>THE DRAWING ON THIS PRINT AND INFORMATION THEREWITH ARE PROPRIETARY TO MOTOROLA AND SHALL NOT BE USED OR DISCUSSED IN WHOLE OR IN PART WITHOUT MOTOROLA'S CONSENT. © COPYRIGHT, MOTOROLA. THIS DOES NOT IMPLY PUBLICATION</small> | | PROJECT NAME B 84016525.cpm | REV C |
| | | CAD FILE NAME: | |
| | | PAGE 25 OF 47 | |

MEMORY MCP

REF: 1600-1699

MCP: 8GB NAND, 8GBIT LPDDR3

| REVISIONS | | | | |
|-----------|-----|-------------|---------|----------|
| REV | ECN | DESCRIPTION | MADE BY | APPROVED |
| | | | | |



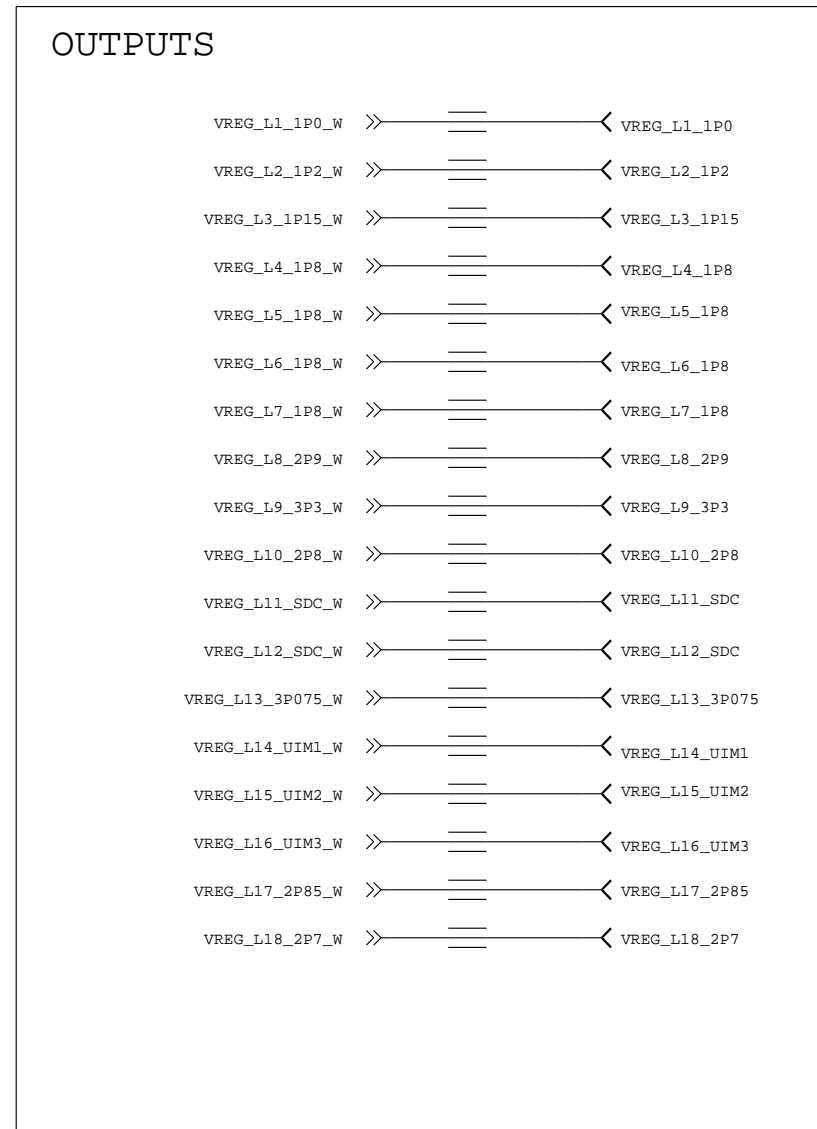
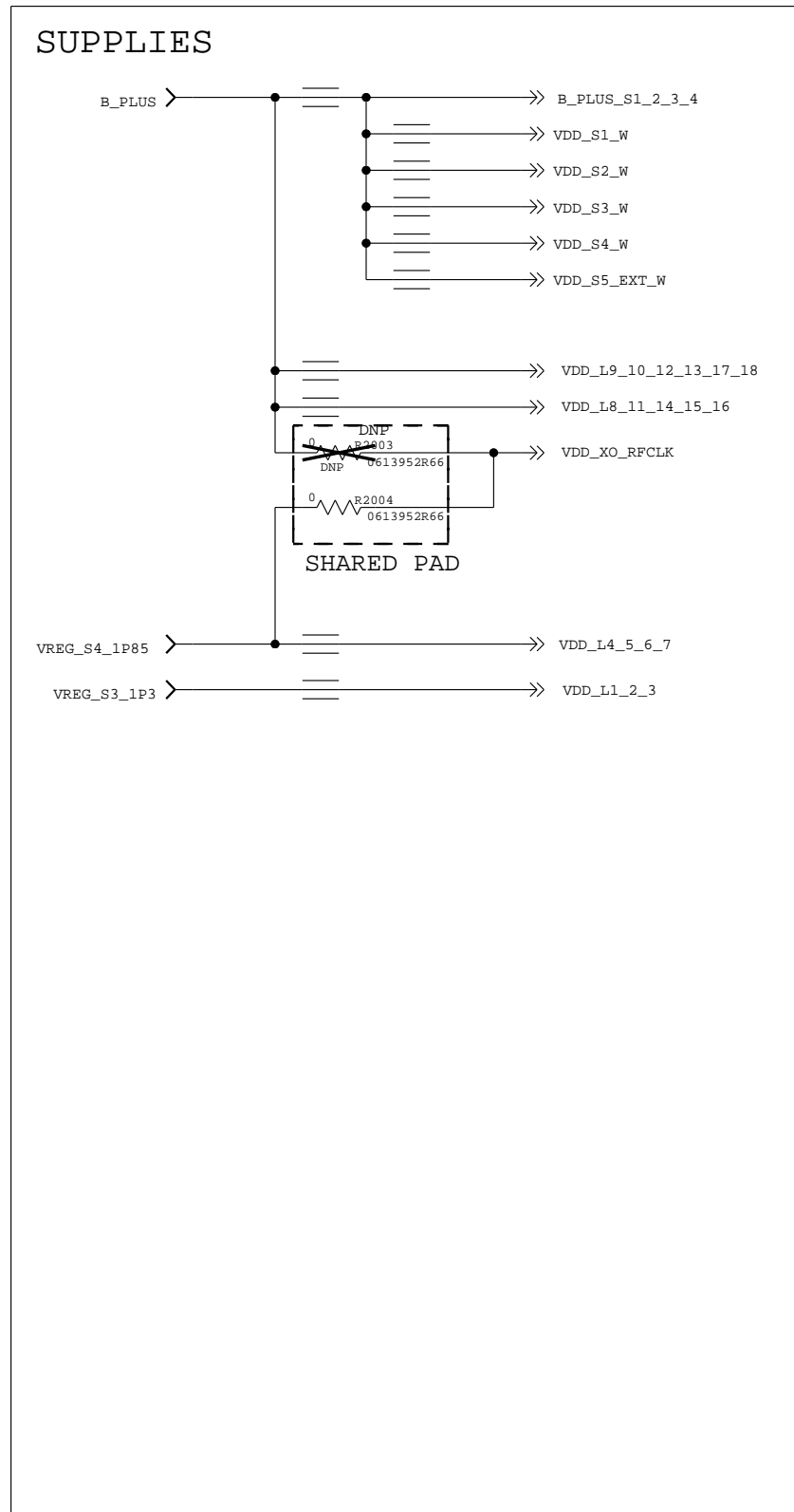
LAST MODIFIED: Thu Oct 01 16:23:06 2015

| | | | |
|------------------------------|----------------|---------------|-----------|
| DRAWING NUMBER: 84 | | | |
| DRAWN BY: | DATE: | TITLE: | REV C |
| LEAD ENGINEER: | DATE: | | SIZE B |
| ASSY NUMBER: | PCB FILE NAME: | PAGE 26 OF 47 | |

MOTOROLA CONFIDENTIAL RESTRICTED

PM8916: POWER

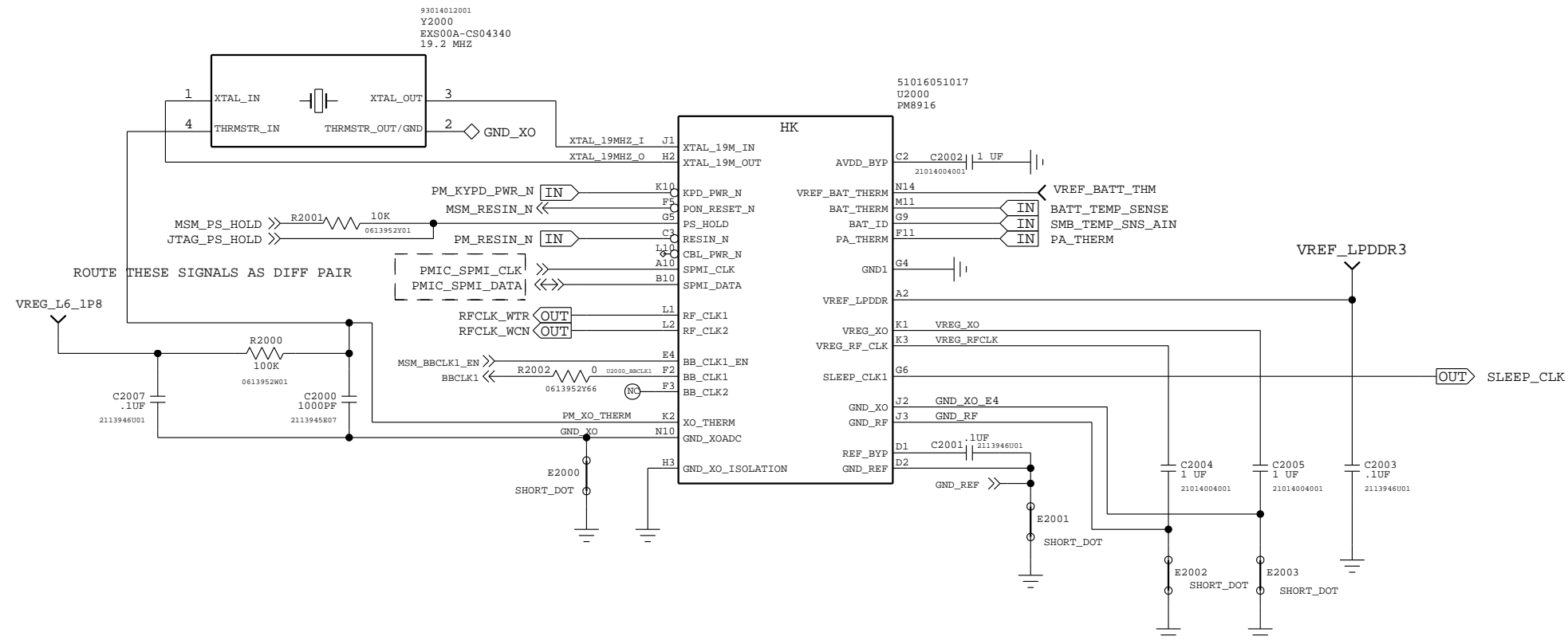
REF: 2000-2999



| | | | |
|--|--|---------------------------------------|----------|
| APPROVALS | | MOTOROLA MOBILE DEVICES | |
| ENGINEER: NATE CONNELL | | BLOCK TITLE: | |
| LAST MODIFIED BY: NATE CONNELL Thu Oct 01 16:23:09 2015 | | ap_pmic | |
| MOTOROLA CONFIDENTIAL RESTRICTED <small>THE DRAWING ON THIS PRINT AND INFORMATION THEREWITH ARE PROPRIETARY TO MOTOROLA AND SHALL NOT BE USED OR DISCUSSED IN WHOLE OR IN PART WITHOUT MOTOROLA'S CONSENT. © COPYRIGHT, MOTOROLA. THIS DOES NOT IMPLY PUBLICATION</small> | | PROJECT NAME B 84016525.cpm | REV C |
| | | CAD FILE NAME: | |
| | | PAGE 27 OF 47 | |

PM8916: HK

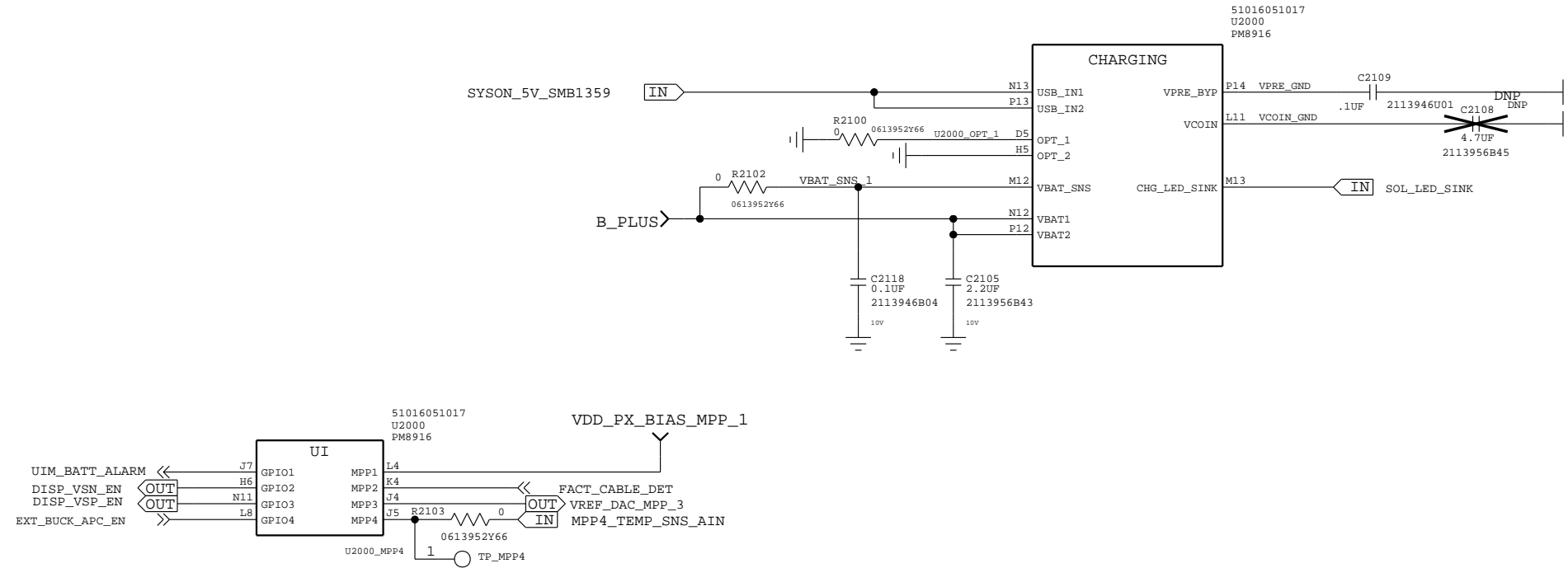
REF: 2000-2999



| | | | |
|--|--|-----------------------------------|----------|
| APPROVALS | | MOTOROLA MOBILE DEVICES | |
| ENGINEER: XIAOYU WANG | | BLOCK TITLE: | |
| LAST MODIFIED BY: MMI Thu Oct 01 16:23:00 2015 | | ap_pmic | |
| MOTOROLA CONFIDENTIAL RESTRICTED <small>THE DRAWING ON THIS PRINT AND INFORMATION THEREWITH ARE PROPRIETARY TO MOTOROLA AND SHALL NOT BE USED OR DISCUSSED IN WHOLE OR IN PART WITHOUT MOTOROLA'S CONSENT. © COPYRIGHT, MOTOROLA. THIS DOES NOT IMPLY PUBLICATION</small> | | PROJECT NAME B 84016525.cpm | REV C |
| | | CAD FILE NAME: | |
| | | PAGE 28 OF 47 | |

PM8916: CHRГ/LED/GPIO

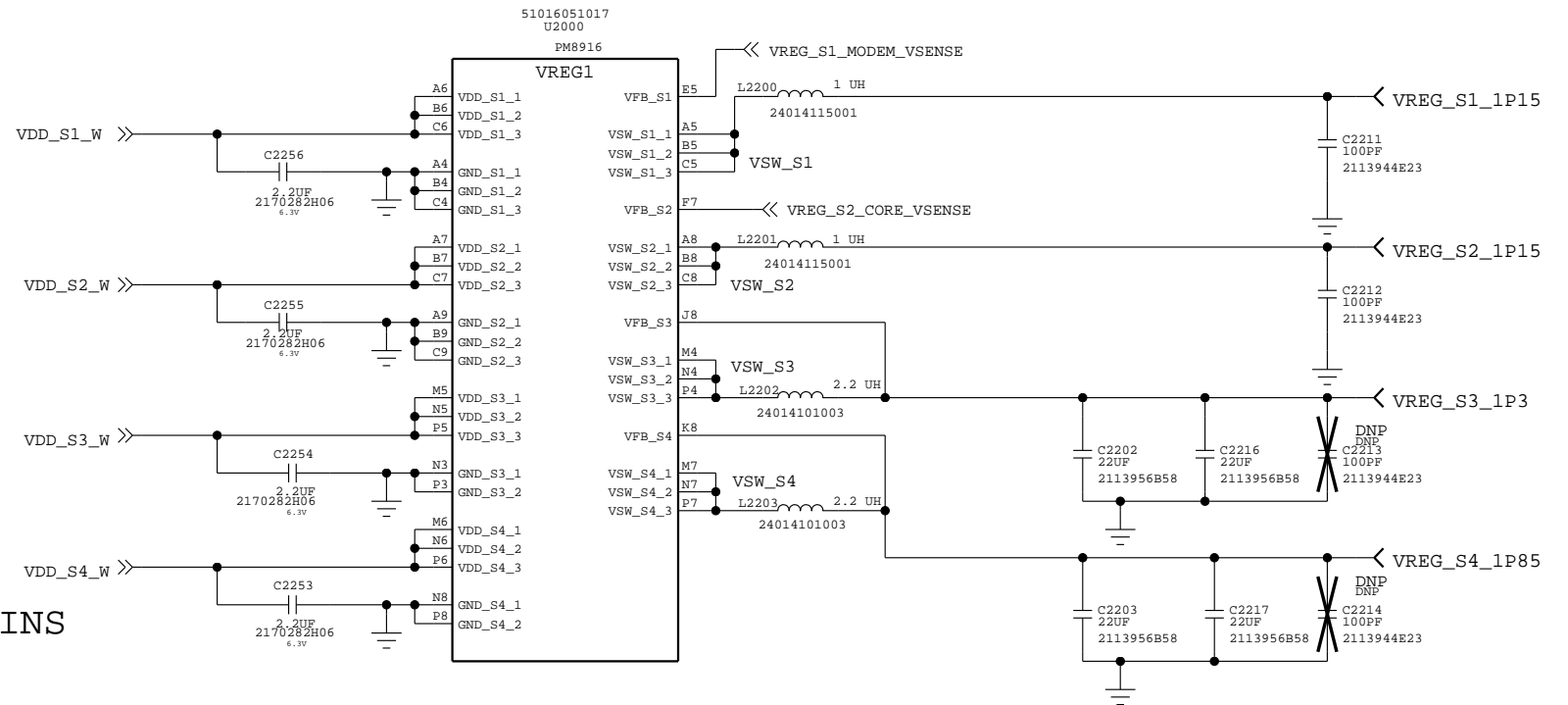
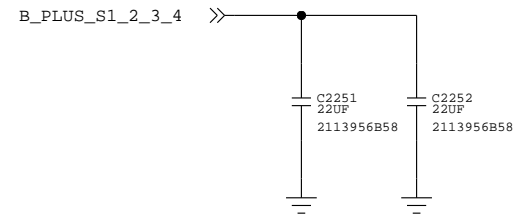
REF: 2000-2999



| | | | |
|--|--|-----------------------------------|-----|
| APPROVALS | | MOTOROLA MOBILE DEVICES | |
| ENGINEER: MMI | | BLOCK TITLE: | |
| LAST MODIFIED BY: MMI Thu Oct 01 16:23:08 2015 | | ap_pmic | |
| MOTOROLA CONFIDENTIAL RESTRICTED THE DRAWING ON THIS PRINT AND INFORMATION THEREWITH ARE PROPRIETARY TO MOTOROLA AND SHALL NOT BE USED OR DISCUSSED IN WHOLE OR IN PART WITHOUT MOTOROLA'S CONSENT. © COPYRIGHT, MOTOROLA. THIS DOES NOT IMPLY PUBLICATION | | PROJECT NAME | REV |
| | | B 84016525.cpm | C |
| CAD FILE NAME: | | PAGE 29 OF 47 | |

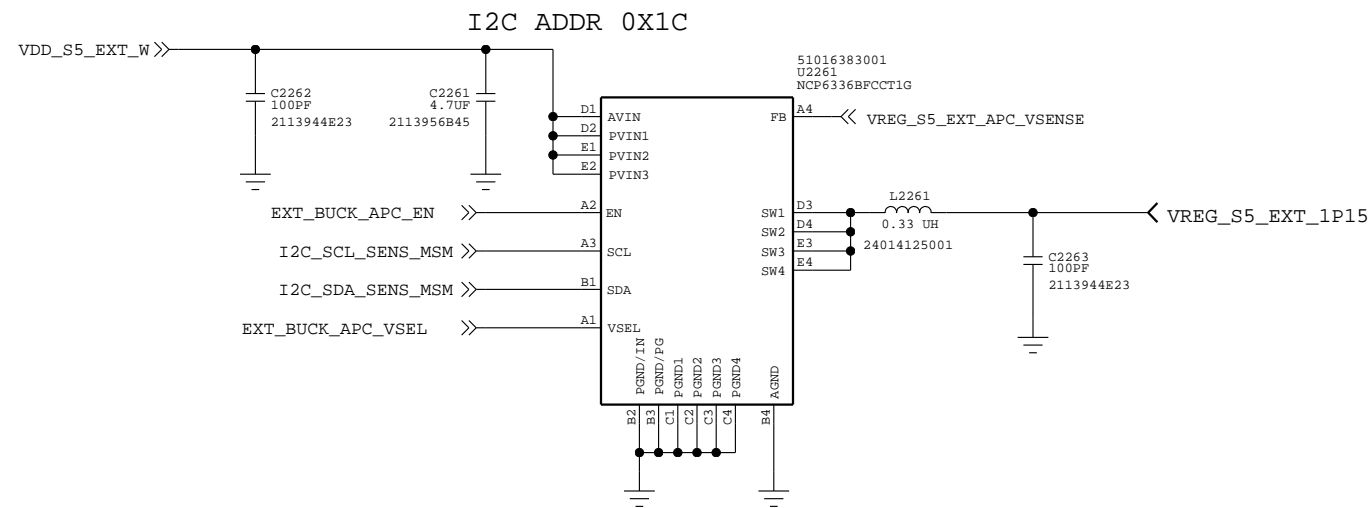
PM8916: SMPS

REF: 2000-2999



NOTE: PLACE INPUT CAPS CLOSE TO RESPECTIVE VIN PINS
EACH CAP GND SHOULD BE STAR-ROUTED

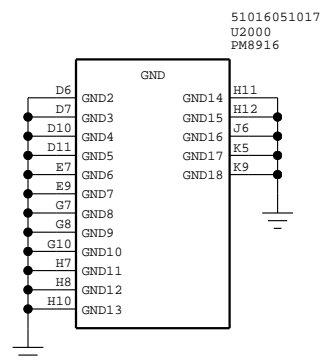
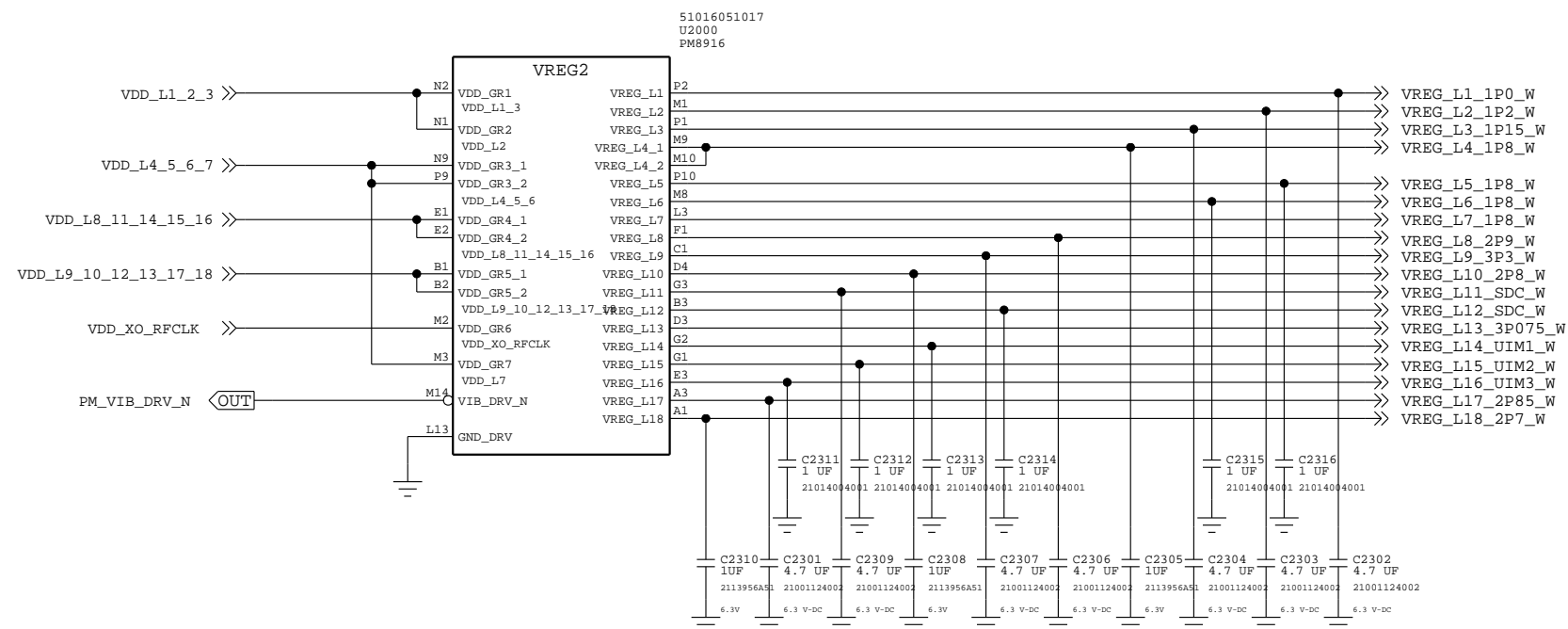
APC EXT-BUCK REGULATOR



| | | | |
|--|--|-----------------------------------|----------|
| APPROVALS | | MOTOROLA MOBILE DEVICES | |
| ENGINEER: XIAOYU WANG | | BLOCK TITLE: | |
| LAST MODIFIED BY: MMI Thu Oct 01 16:23:02 2015 | | ap_pmic | |
| MOTOROLA CONFIDENTIAL RESTRICTED THE DRAWING ON THIS PRINT AND INFORMATION THEREWITH ARE PROPRIETARY TO MOTOROLA AND SHALL NOT BE USED OR DISCUSSED IN WHOLE OR IN PART WITHOUT MOTOROLA'S CONSENT. © COPYRIGHT, MOTOROLA. THIS DOES NOT IMPLY PUBLICATION | | PROJECT NAME B 84016525.cpm | REV C |
| CAD FILE NAME: | | PAGE 30 OF 47 | |

PM8916: VREGS

REF: 2000-2999



PSEUDO CAPLESS LDOS

L4, L5, L6, L7, L8, L9, L10, L11, L12, L13, L14, L15, L16, L17, L18

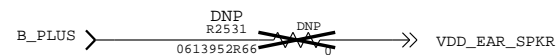
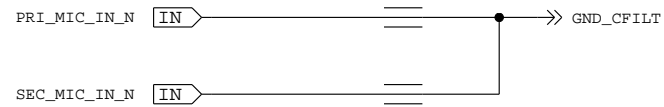
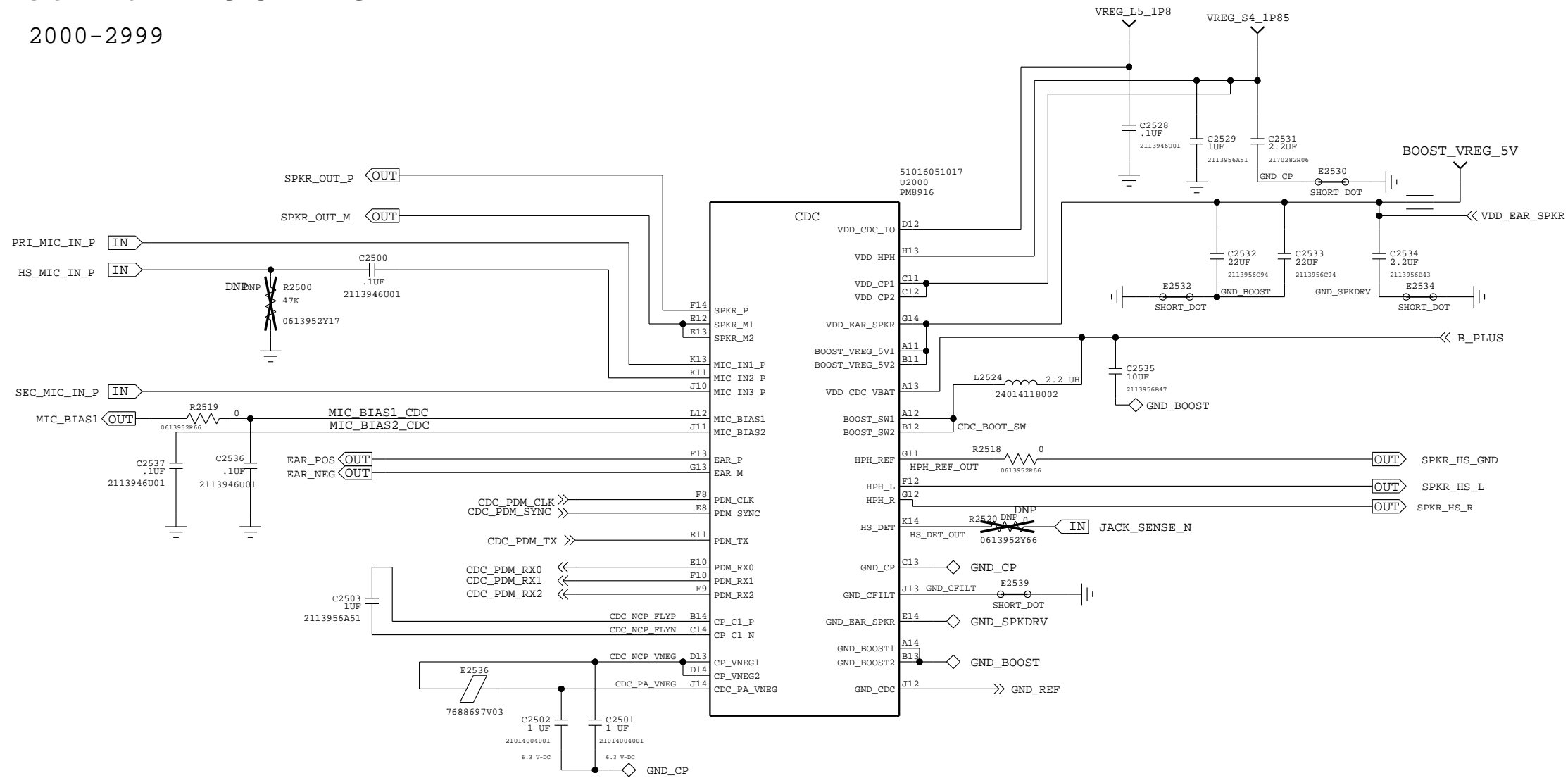
L8, L9, L11, L17 EACH SHALL HAVE TOTAL EFFECTIVE OUTPUT CAPACITANCE OF 4.7UF
 REST OF THE LDOS SHALL HAVE TOTAL EFFECTIVE OUTPUT CAPACITANCE OF 1.0UF

NOTE: IF A DECOUPLING CAP OF A PSEUDO CAPLESS LDO DOES NOT ADD TO 1UF ON THE LOAD SIDE, INSTALL THE CAP CLOSE TO THE PMIC

| | | | |
|--|--|-----------------------------------|---------------|
| APPROVALS | | MOTOROLA MOBILE DEVICES | |
| ENGINEER: XIAOYU WANG | | BLOCK TITLE: | |
| LAST MODIFIED BY: MMI Thu Oct 01 16:23:09 2015 | | ap_pmic | |
| MOTOROLA CONFIDENTIAL RESTRICTED <small>THE DRAWING ON THIS PRINT AND INFORMATION THEREWITH ARE PROPRIETARY TO MOTOROLA AND SHALL NOT BE USED OR DISCUSSED IN WHOLE OR IN PART WITHOUT MOTOROLA'S CONSENT. © COPYRIGHT, MOTOROLA. THIS DOES NOT IMPLY PUBLICATION</small> | | PROJECT NAME B 84016525.cpm | REV C |
| | | CAD FILE NAME: | PAGE 31 OF 47 |

PM8916: CODEC

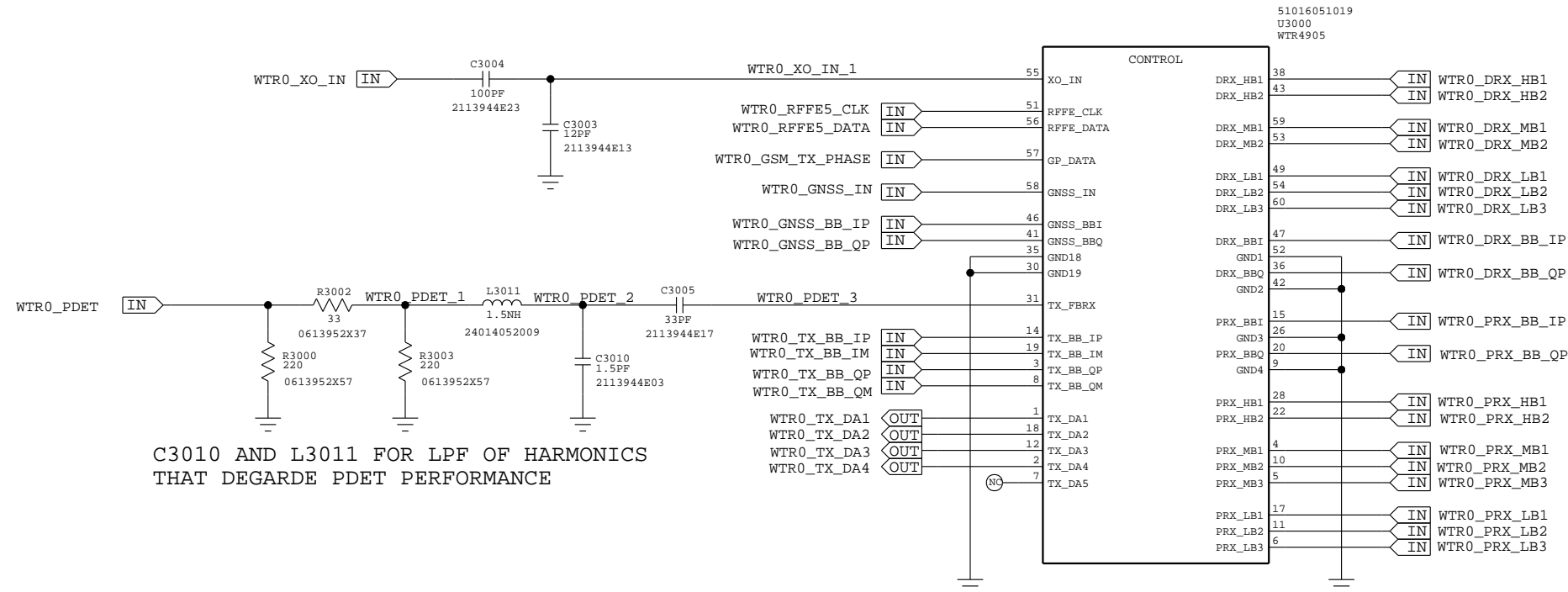
REF 2000-2999



| | | | |
|--|--|-----------------------------------|----------|
| APPROVALS | | MOTOROLA MOBILE DEVICES | |
| ENGINEER: XIAOYU WANG | | BLOCK TITLE: | |
| LAST MODIFIED BY: ECB033 Thu Oct 01 16:23:01 2015 | | ap_pmic | |
| MOTOROLA CONFIDENTIAL RESTRICTED <small>THE DRAWING ON THIS PRINT AND INFORMATION THEREWITH ARE PROPRIETARY TO MOTOROLA AND SHALL NOT BE USED OR DISCUSSED IN WHOLE OR IN PART WITHOUT MOTOROLA'S CONSENT. © COPYRIGHT, MOTOROLA. THIS DOES NOT IMPLY PUBLICATION</small> | | PROJECT NAME B 84016525.cpm | REV C |
| | | CAD FILE NAME: | |
| | | PAGE 32 OF 47 | |

WTR4905 BB RF

REF 3000-3099

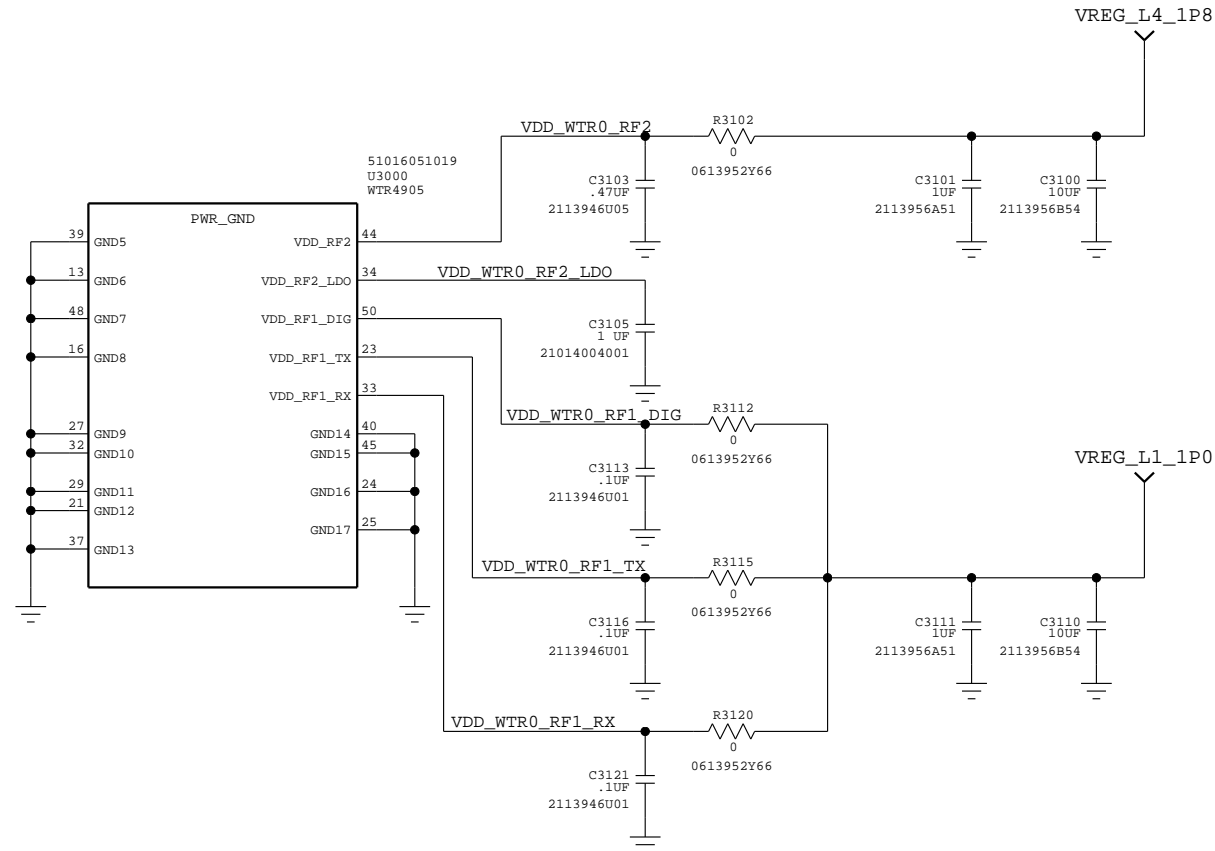


MOTOROLA MOBILITY CONFIDENTIAL RESTRICTED-MDB TRACKED TRACKEDANDBLOCKED

| | | | |
|--|--|---------------------------------------|-----------------|
| APPROVALS | | MOTOROLA MOBILE DEVICES | |
| ENGINEER: MMI | | BLOCK TITLE: | |
| LAST MODIFIED BY: | | block_wtr4905 | |
| Thu Oct 01 16:23:13 2015 | | | |
| MOTOROLA CONFIDENTIAL RESTRICTED <small>THE DRAWING ON THIS PRINT AND INFORMATION THEREWITH ARE PROPRIETARY TO MOTOROLA AND SHALL NOT BE USED OR DISCUSSED IN WHOLE OR IN PART WITHOUT MOTOROLA'S CONSENT. © COPYRIGHT, MOTOROLA. THIS DOES NOT IMPLY PUBLICATION</small> | | PROJECT NAME B 84016525.cpm | REV C |
| | | CAD FILE NAME: | |
| | | PAGE 33 OF 47 | |

BASED ON 80-NL713-44 REV. A

WTR4905 POWER
REF 3100-3199



MOTOROLA MOBILITY CONFIDENTIAL RESTRICTED-MDB TRACKED TRACKEDANDBLOCKED

| | | | |
|--|--|-----------------------------------|----------|
| APPROVALS | | MOTOROLA MOBILE DEVICES | |
| ENGINEER: MMI | | BLOCK TITLE: | |
| LAST MODIFIED BY: MMI Thu Oct 01 16:23:13 2015 | | block_wtr4905 | |
| MOTOROLA CONFIDENTIAL RESTRICTED <small>THE DRAWING ON THIS PRINT AND INFORMATION THEREWITH ARE PROPRIETARY TO MOTOROLA AND SHALL NOT BE USED OR DISCUSSED IN WHOLE OR IN PART WITHOUT MOTOROLA'S CONSENT. © COPYRIGHT, MOTOROLA. THIS DOES NOT IMPLY PUBLICATION</small> | | PROJECT NAME B 84016525.cpm | REV C |
| | | CAD FILE NAME: | |
| | | PAGE 34 OF 47 | |

BASED ON 80-NL713-44 REV. A

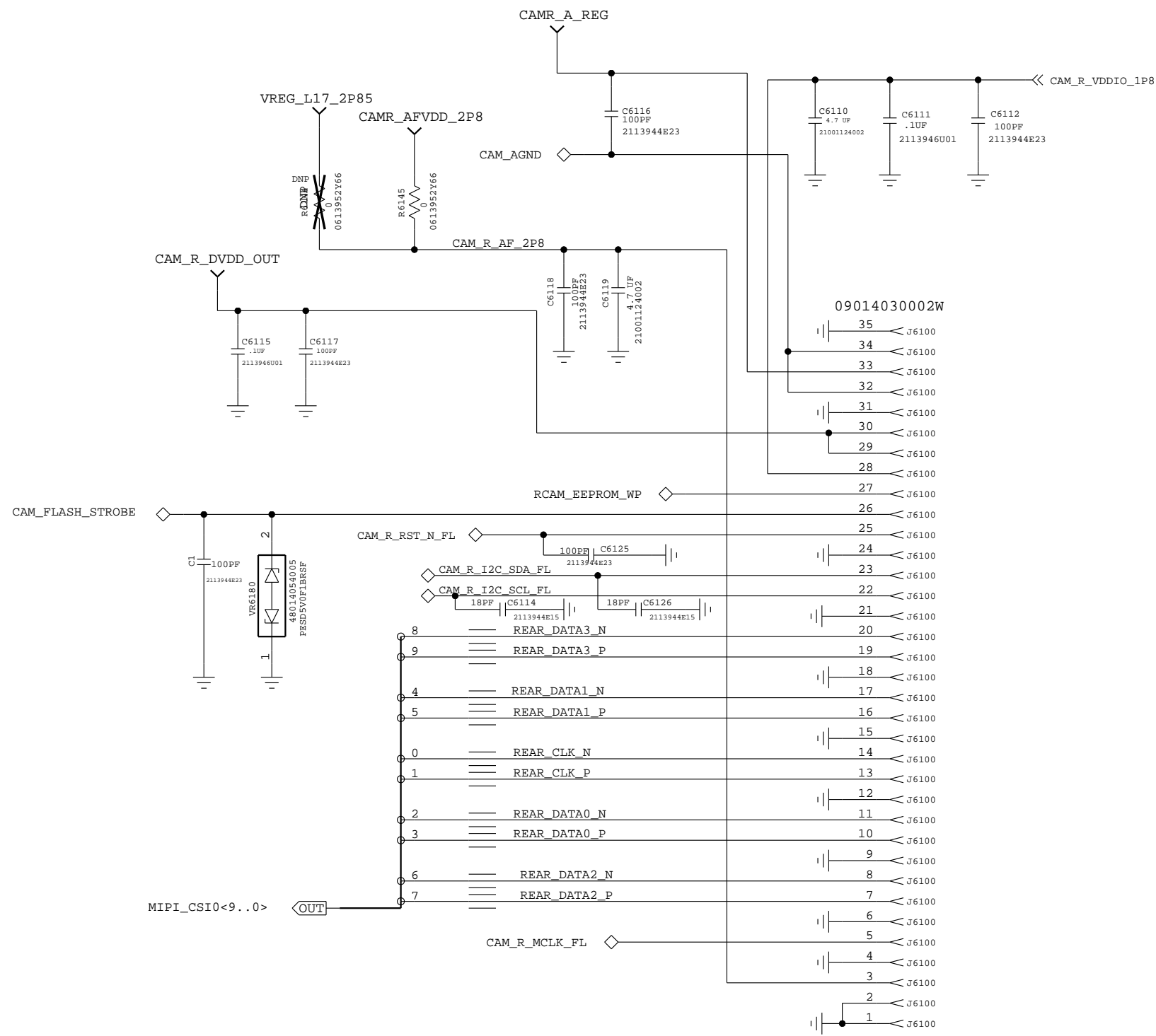
REAR CAMERA

REF:6100-6149

| REVISIONS | | | | |
|-----------|-----|-------------|---------|----------|
| REV | ECN | DESCRIPTION | MADE BY | APPROVED |
| | | | | |

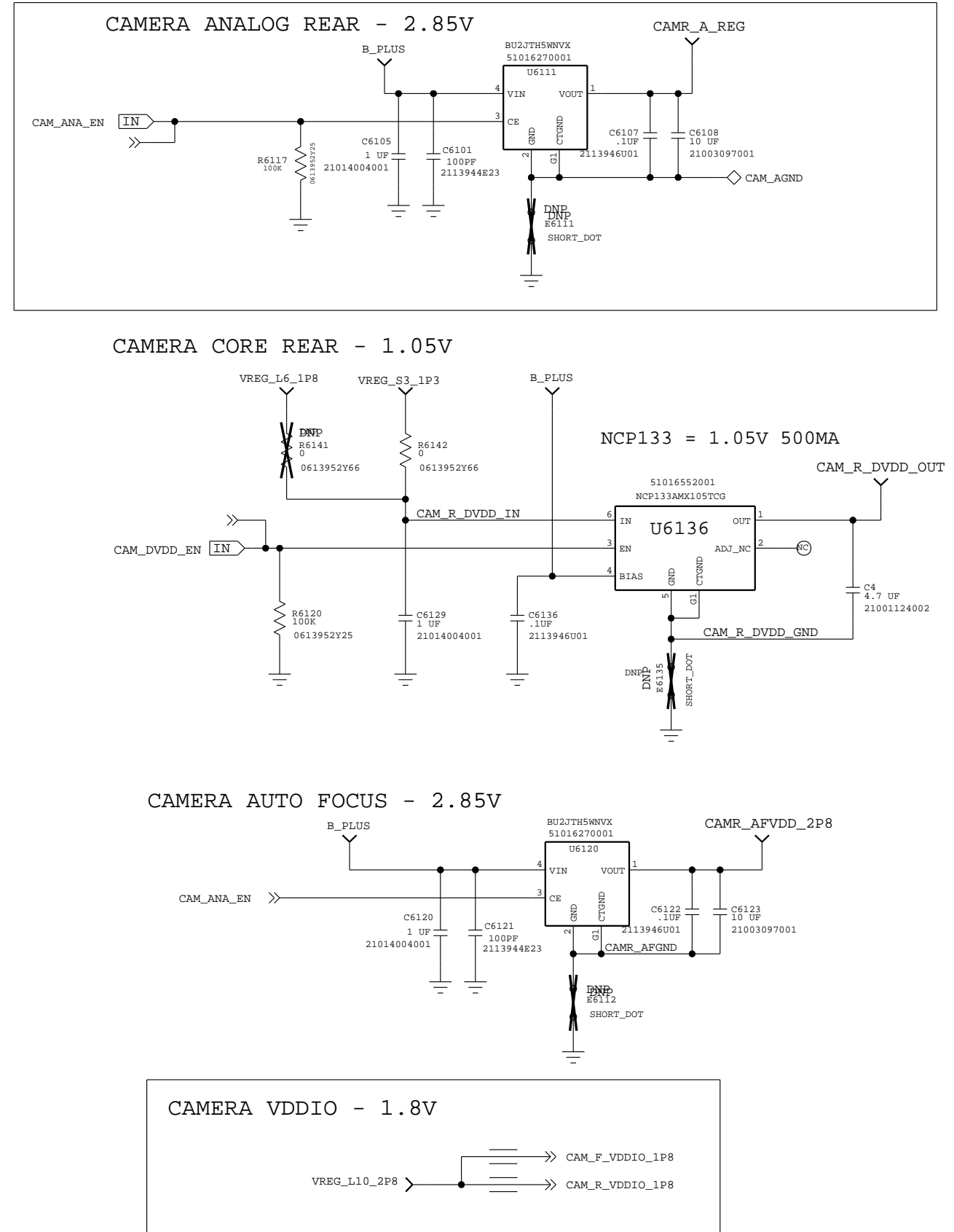
IMAGER FLEX CONNECTOR

I2C ADDR: 0X.. (0X..)



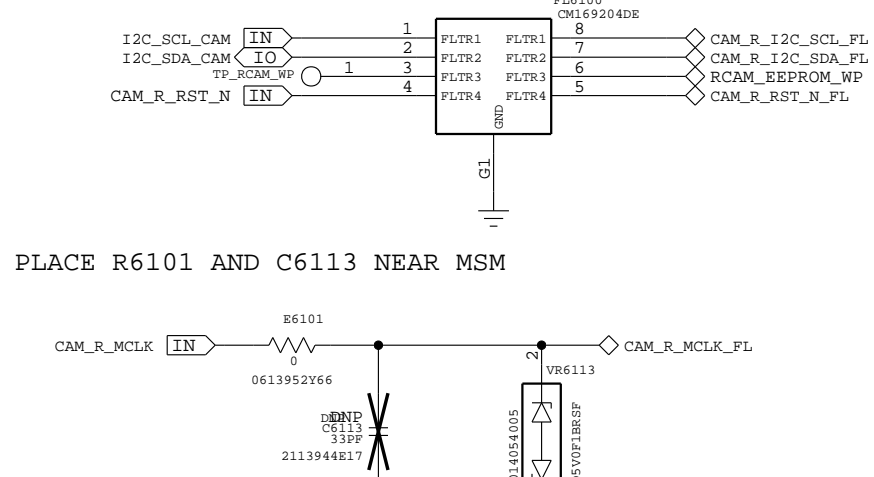
REF:6100-6110

POWER REGULATORS

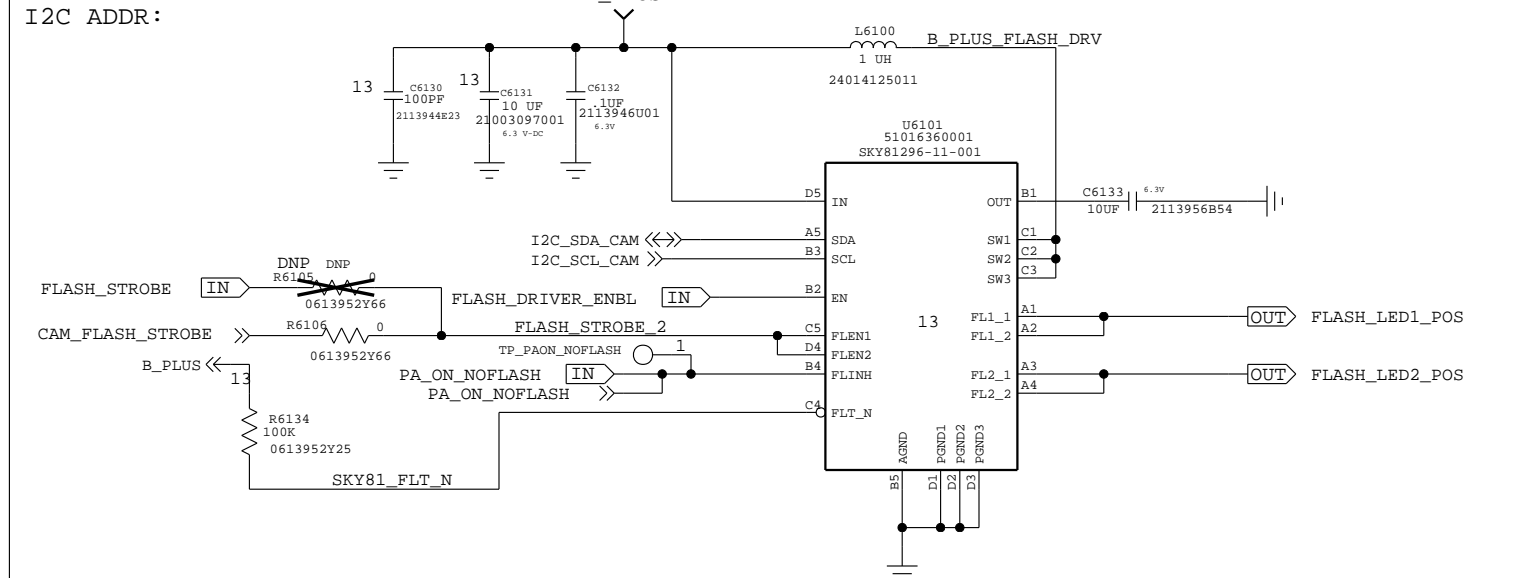


REF:6110-6120

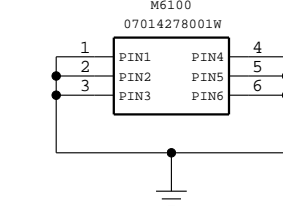
EMI/ESD FILTER



LED FLASH DRIVER



REAR CAMERA PLATE



LAST MODIFIED: Thu Oct 01 16:23:22 2015

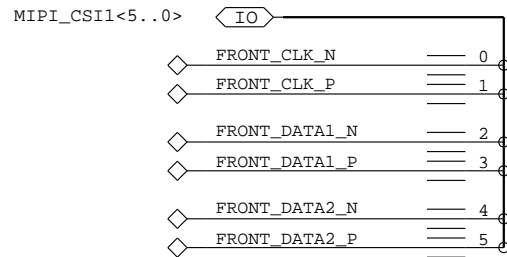
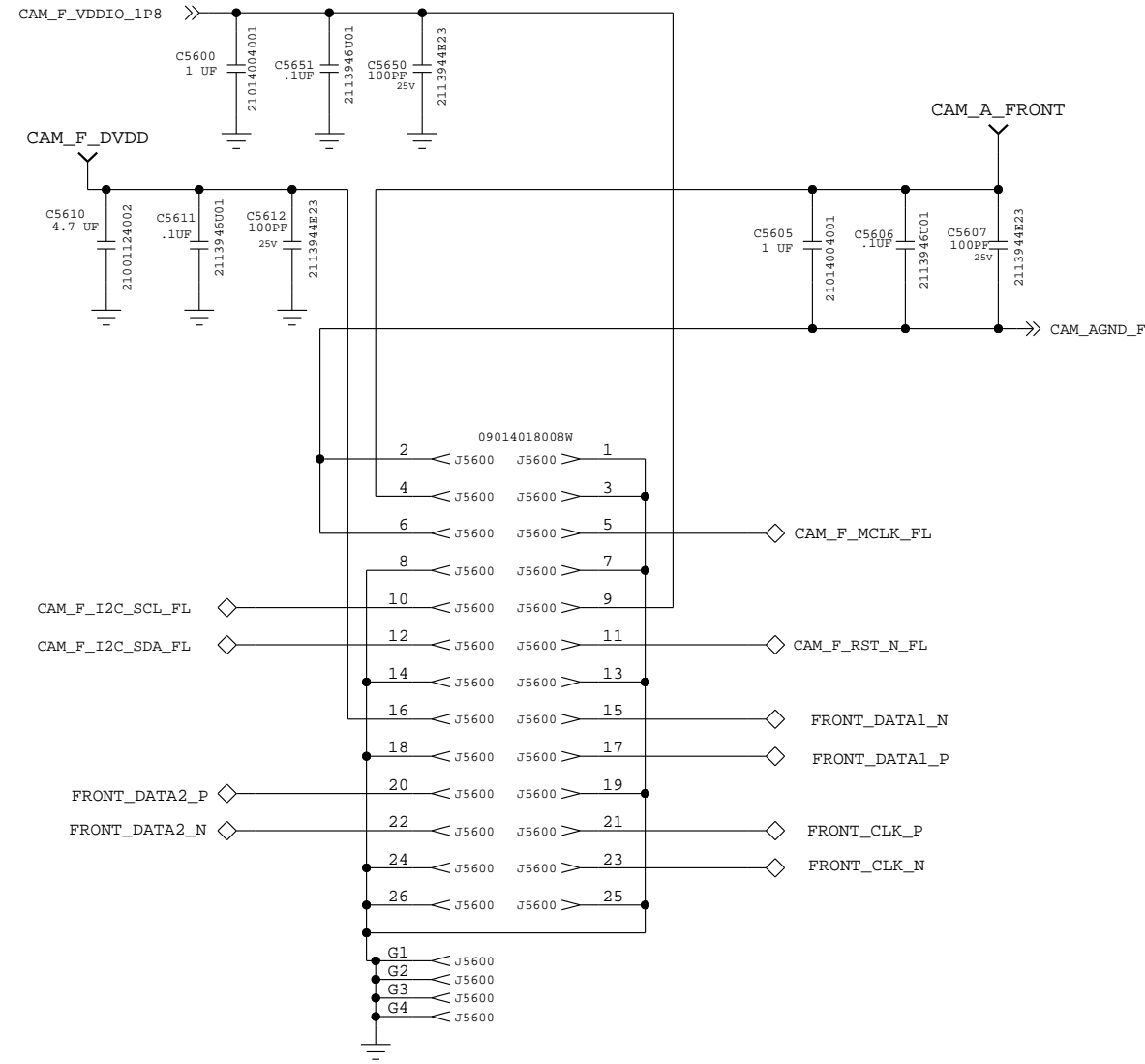
| | | | |
|------------------------------|----------------|---------------|--------------|
| DRAWING NUMBER: 84 | | | REV C |
| DRAWN BY: DATE: | | | TITLE: DATE: |
| LEAD ENGINEER: DATE: | PCB FILE NAME: | PAGE 35 OF 47 | |

MOTOROLA CONFIDENTIAL RESTRICTED

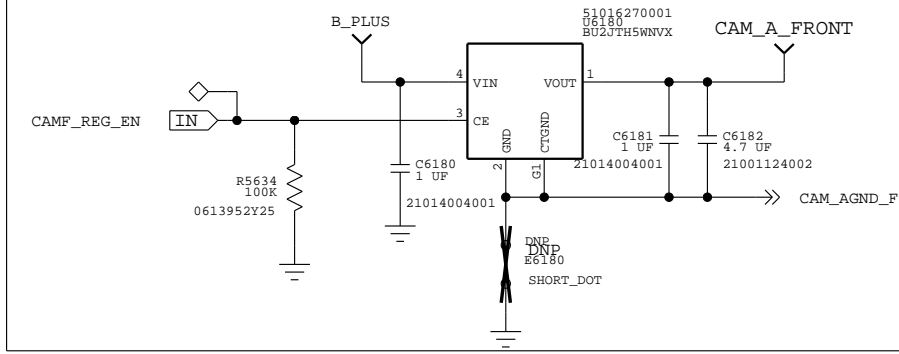
FRONT CAMERA

REF 5600-5649

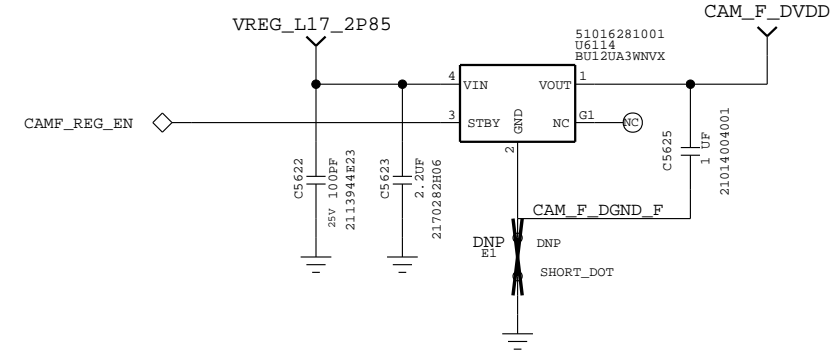
FF CAMERA CONNECTOR



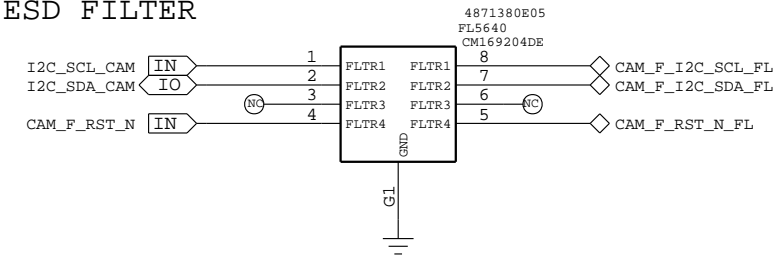
CAMERA ANALOG FRONT - 2.85V



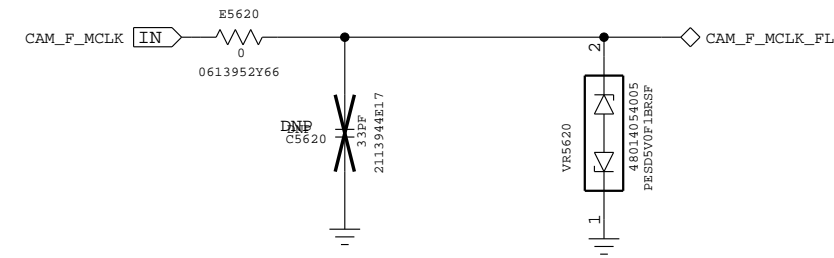
CAMERA FRONT DVDD - 1.2V



EMI/ESD FILTER



PLACE E5620 AND C5620 NEAR MSM



APPROVALS

ENGINEER: JOHN KRAMER
 LAST MODIFIED BY: NATE CONNELL
 Thu Oct 01 16:23:25 2015

MOTOROLA CONFIDENTIAL RESTRICTED

THE DRAWING ON THIS PRINT AND INFORMATION
 THERWITH ARE PROPRIETARY TO MOTOROLA AND
 SHALL NOT BE USED OR DISCUSSED IN WHOLE
 OR IN PART WITHOUT MOTOROLA'S CONSENT.
 © COPYRIGHT, MOTOROLA. THIS DOES
 NOT IMPLY PUBLICATION



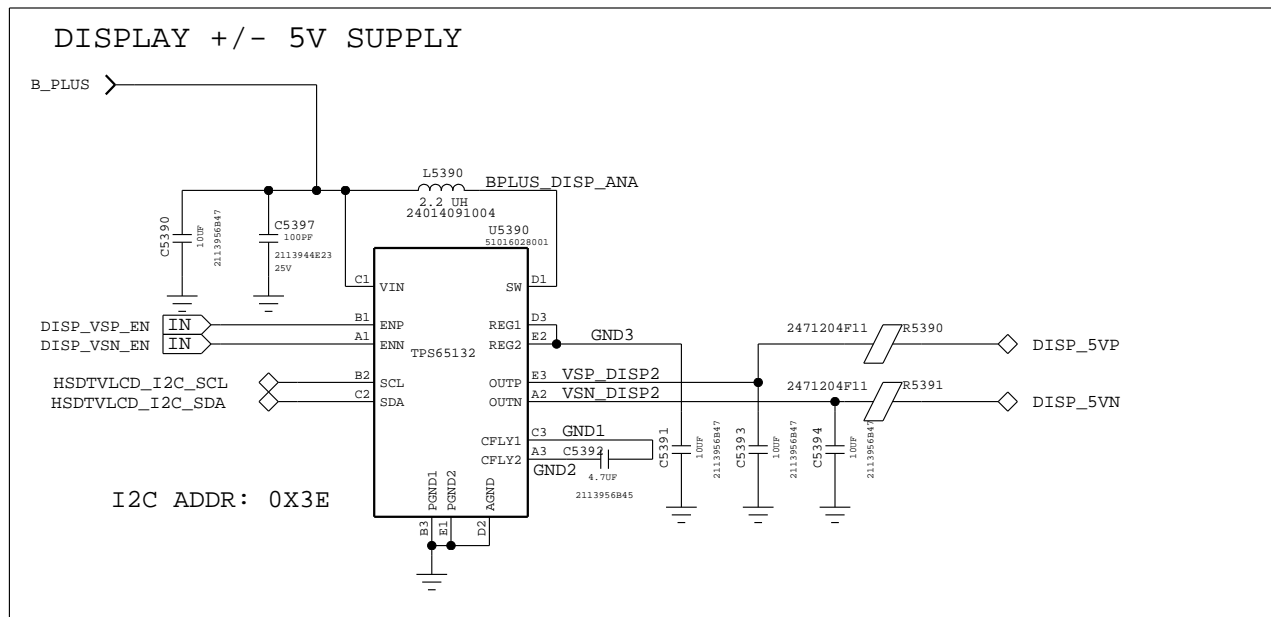
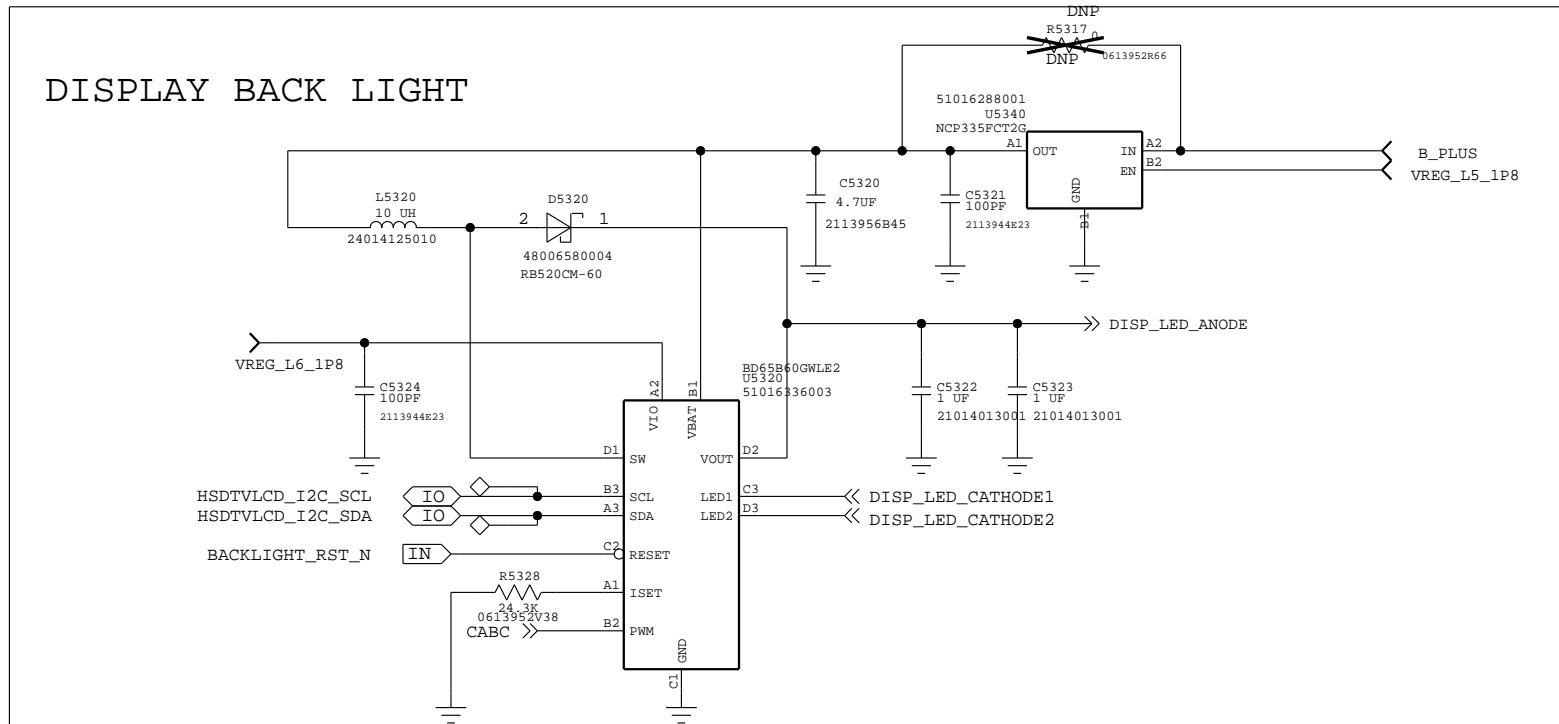
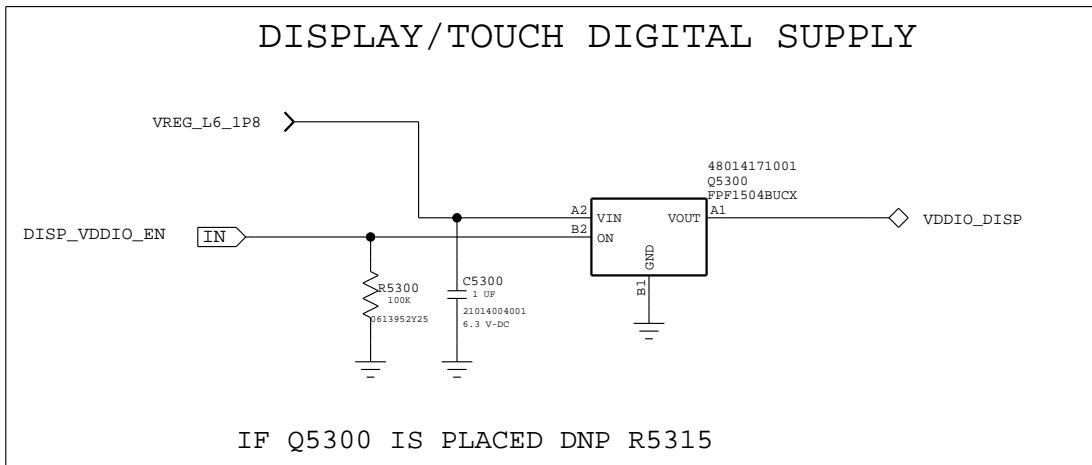
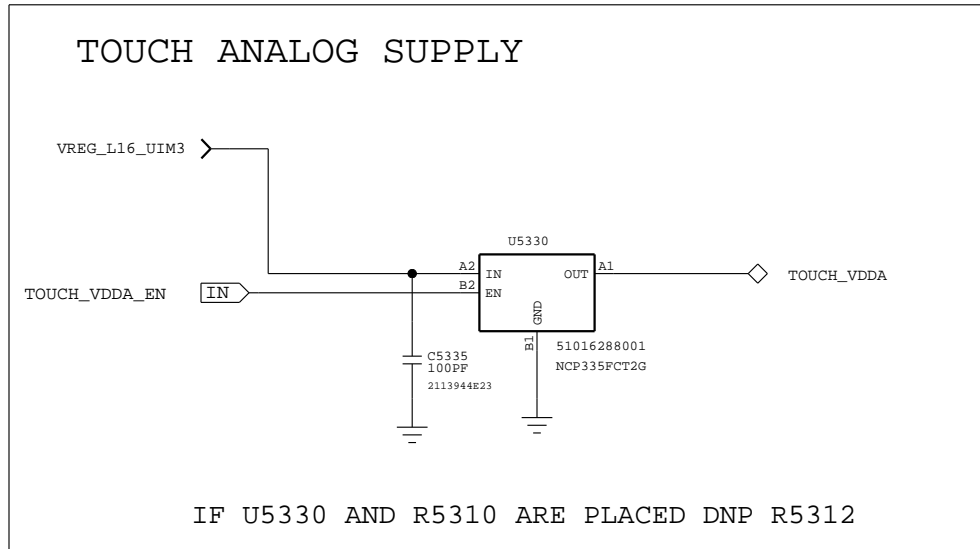
BLOCK TITLE:
user_interface

| | | |
|---|--------------|-----|
| B | PROJECT NAME | REV |
| | 84016525.cpm | C |

CAD FILE NAME: _____ PAGE 36 OF 47

DISPLAY POWER

REF: 5300-5399

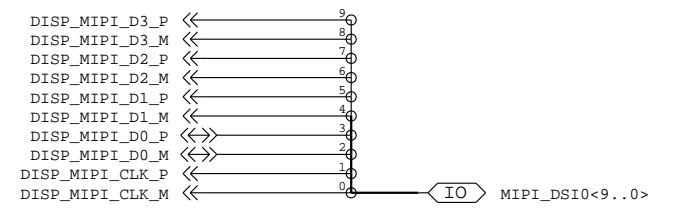
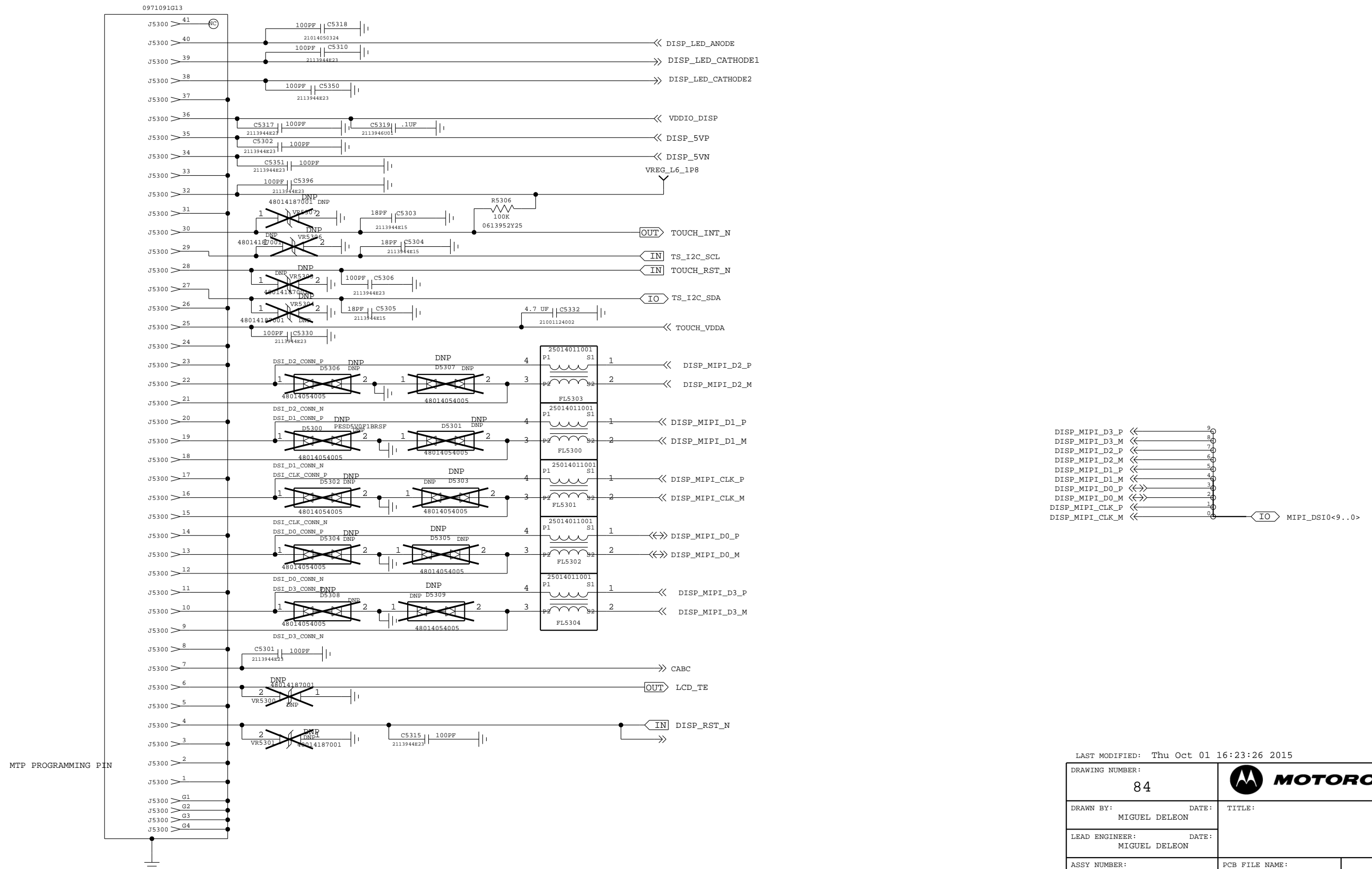


| | | | |
|---|--|---------------------------------------|-----------------|
| APPROVALS | | MOTOROLA MOBILE DEVICES | |
| ENGINEER: MIGUEL DELEON | | BLOCK TITLE: | |
| LAST MODIFIED BY: CARI HERNANDEZ Thu Oct 01 16:54:05 2015 | | user_interface | |
| MOTOROLA CONFIDENTIAL RESTRICTED <small>THE DRAWING ON THIS PRINT AND INFORMATION THEREWITH ARE PROPRIETARY TO MOTOROLA AND SHALL NOT BE USED OR DISCUSSED IN WHOLE OR IN PART WITHOUT MOTOROLA'S CONSENT. © COPYRIGHT, MOTOROLA. THIS DOES NOT IMPLY PUBLICATION</small> | | PROJECT NAME B 84016525.cpm | REV C |
| | | CAD FILE NAME: | |
| | | PAGE 37 OF 47 | |

DISPLAY CONNECTOR

REF: 5300-5399

| REVISIONS | | | | |
|-----------|-----|-------------|---------|----------|
| REV | ECN | DESCRIPTION | MADE BY | APPROVED |
| | | | | |



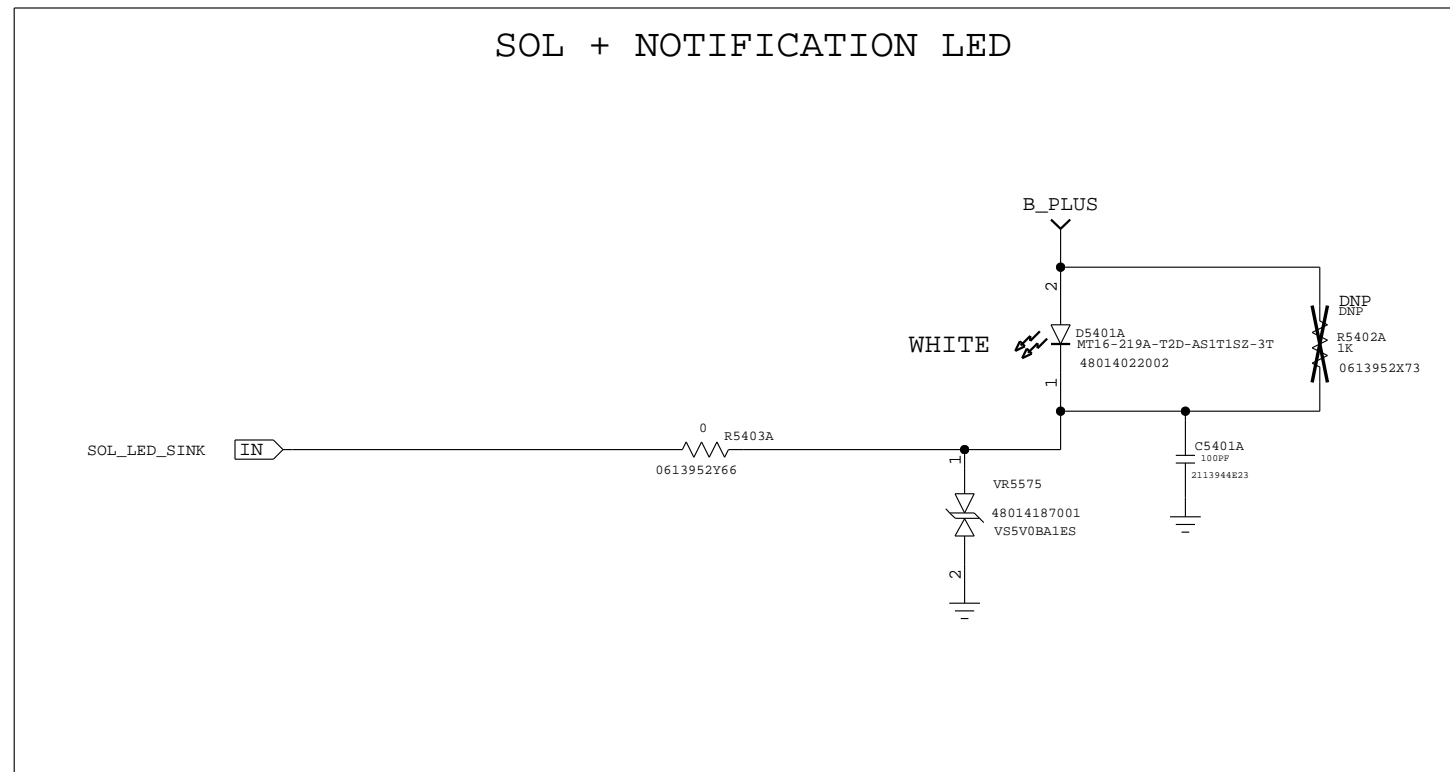
LAST MODIFIED: Thu Oct 01 16:23:26 2015

| | | | |
|---------------------------------|----------------|-----------------|-----------|
| DRAWING NUMBER: 84 | | MOTOROLA | |
| DRAWN BY: MIGUEL DELEON | DATE: | TITLE: | REV C |
| LEAD ENGINEER: MIGUEL DELEON | DATE: | | SIZE B |
| ASSY NUMBER: | PCB FILE NAME: | PAGE 38 OF 47 | |

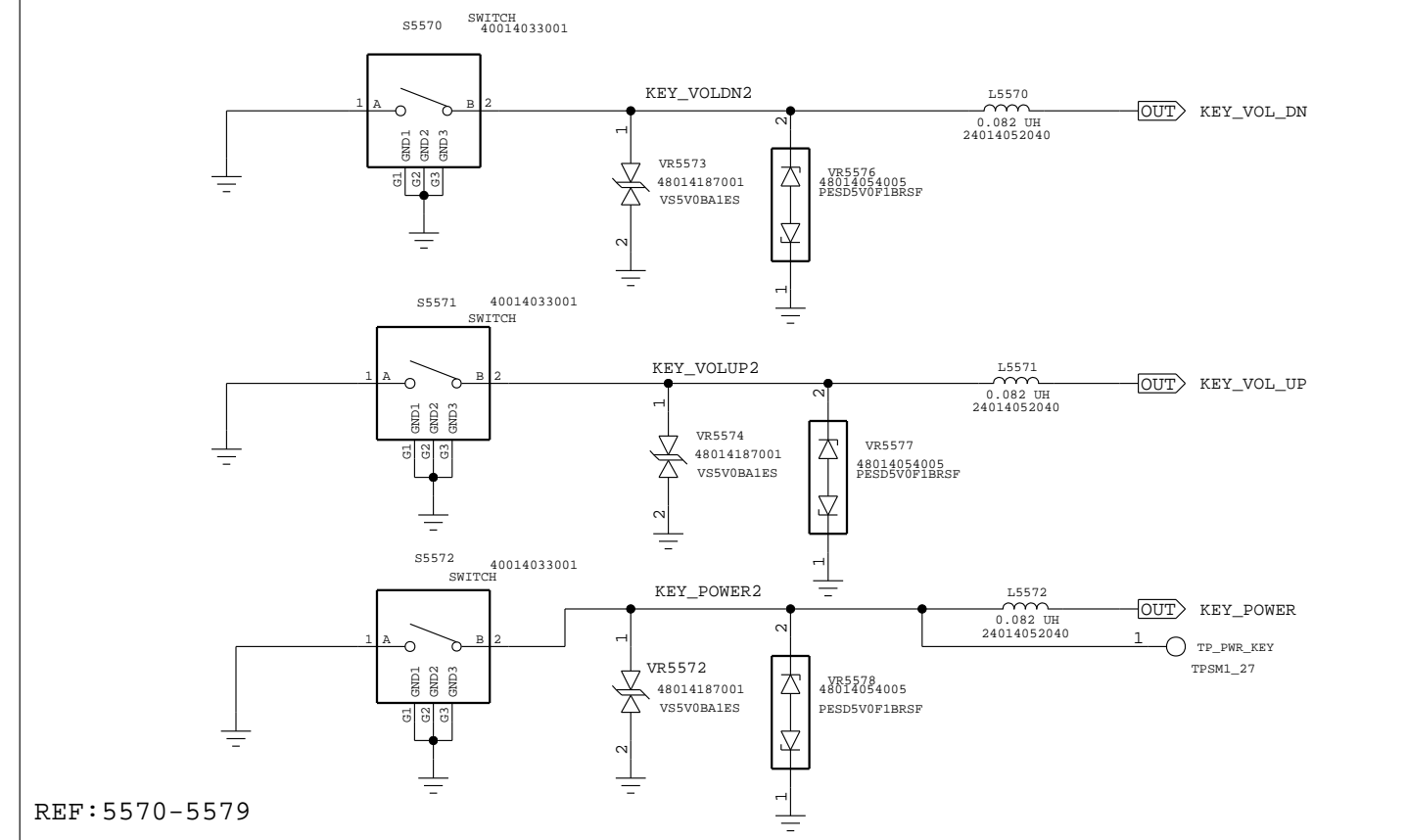
KEYS AND LEDS

REF

SOL + NOTIFICATION LED



MECHANICAL KEYS

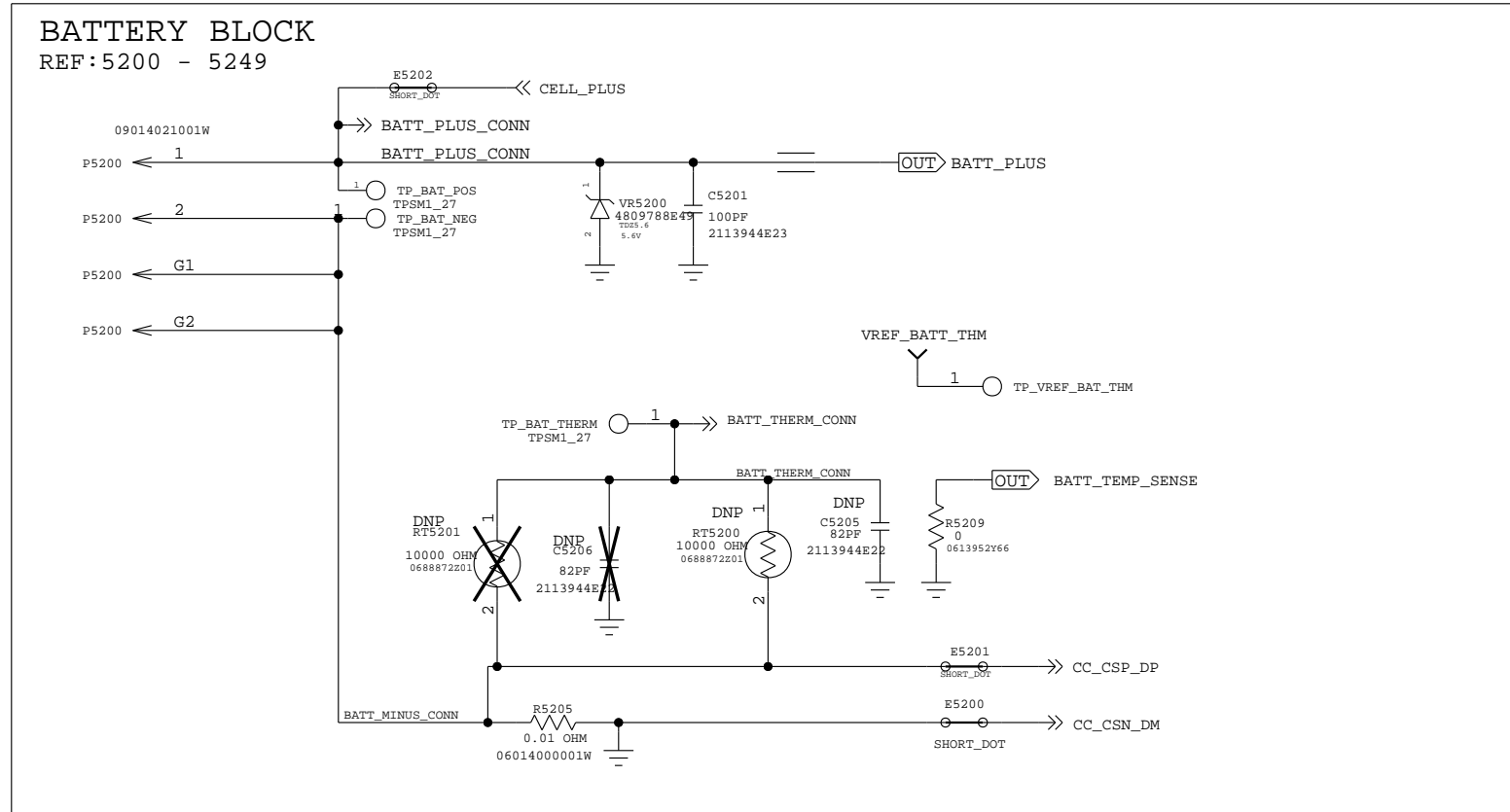
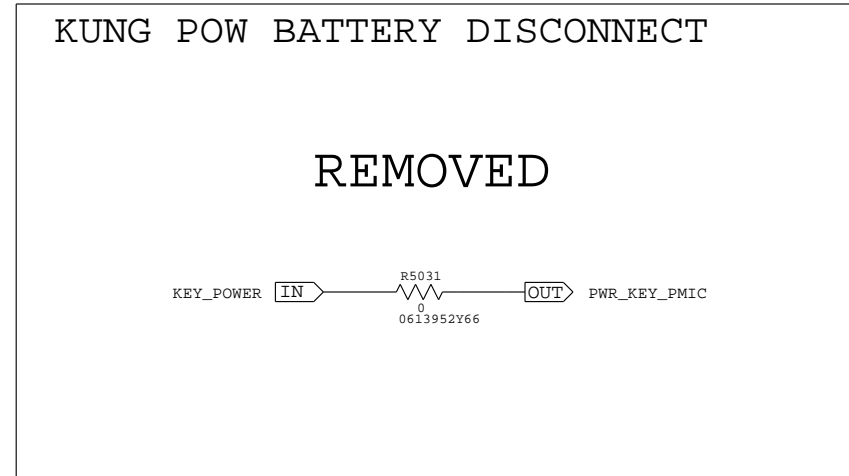
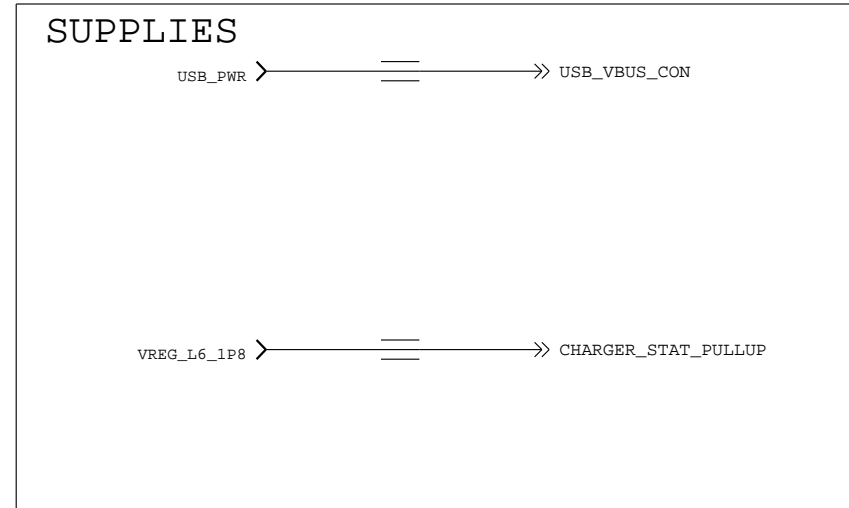
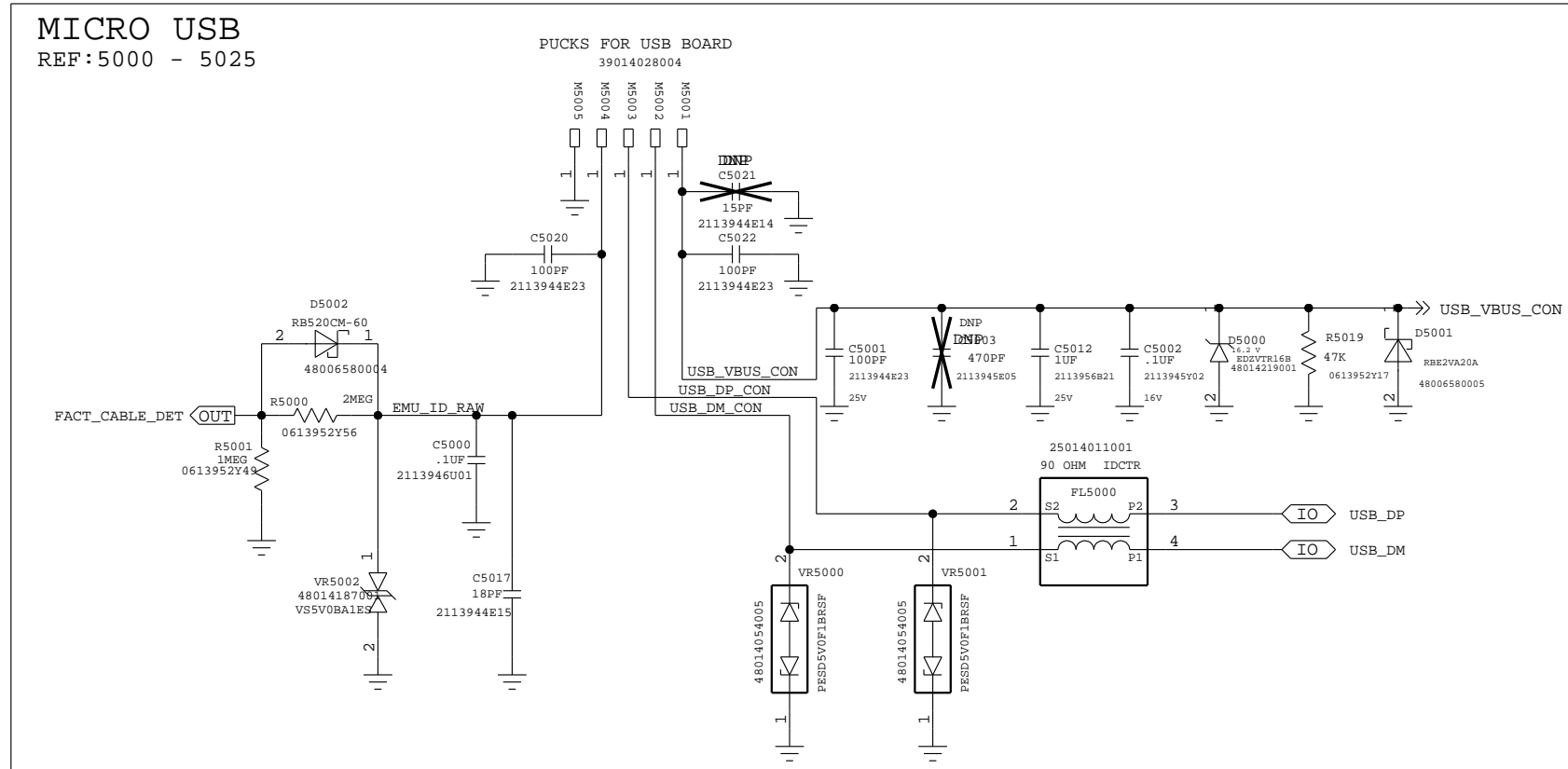


REF: 5570-5579

| | | | |
|--|--|-----------------------------------|---------------|
| APPROVALS | | MOTOROLA MOBILE DEVICES | |
| ENGINEER: CARI HERNANDEZ | | BLOCK TITLE: | |
| LAST MODIFIED BY: CARI HERNANDEZ Thu Oct 01 16:23:21 2015 | | user_interface | |
| MOTOROLA CONFIDENTIAL RESTRICTED <small>THE DRAWING ON THIS PRINT AND INFORMATION THEREWITH ARE PROPRIETARY TO MOTOROLA AND SHALL NOT BE USED OR DISCUSSED IN WHOLE OR IN PART WITHOUT MOTOROLA'S CONSENT. © COPYRIGHT, MOTOROLA. THIS DOES NOT IMPLY PUBLICATION</small> | | PROJECT NAME B 84016525.cpm | REV C |
| | | CAD FILE NAME: | PAGE 39 OF 47 |

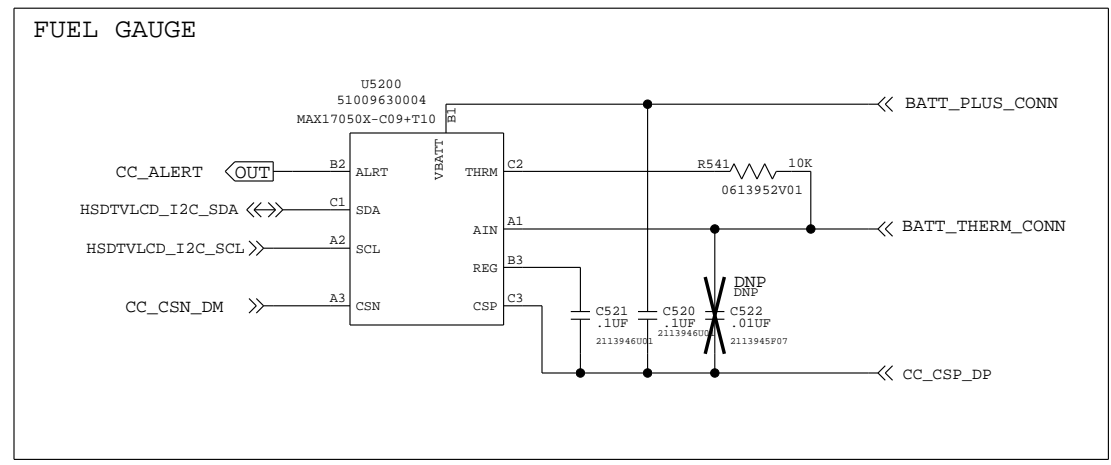
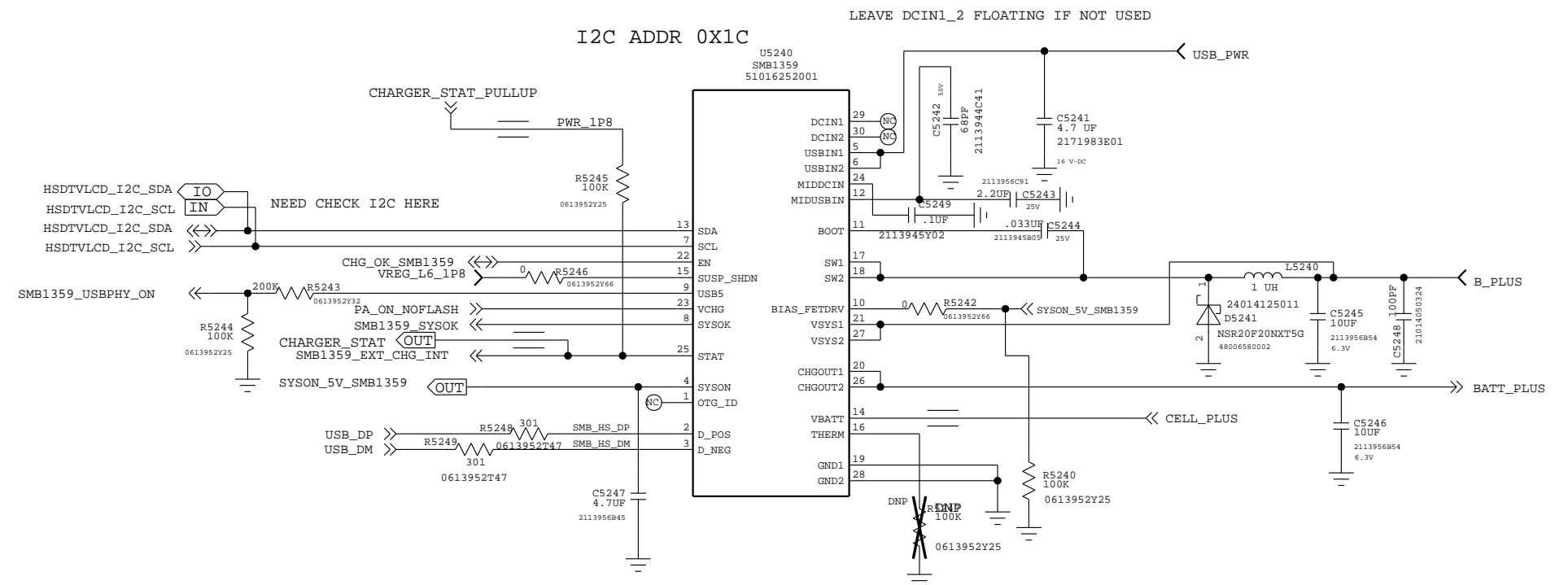
USB_BATTERY

REF:5000 - 5299



| | | | |
|--|--|----------------|-----|
| APPROVALS | | | |
| ENGINEER: XIAOYU WANG | | BLOCK TITLE: | |
| LAST MODIFIED BY: NATE CONNELL Thu Oct 01 16:23:25 2015 | | user_interface | |
| MOTOROLA CONFIDENTIAL RESTRICTED | | PROJECT NAME | REV |
| <small>THE DRAWING ON THIS PRINT AND INFORMATION THEREWITH ARE PROPRIETARY TO MOTOROLA AND SHALL NOT BE USED OR DISCUSSED IN WHOLE OR IN PART WITHOUT MOTOROLA'S CONSENT. © COPYRIGHT, MOTOROLA. THIS DOES NOT IMPLY PUBLICATION</small> | | B 84016525.cpm | C |
| CAD FILE NAME: | | PAGE 40 OF 47 | |

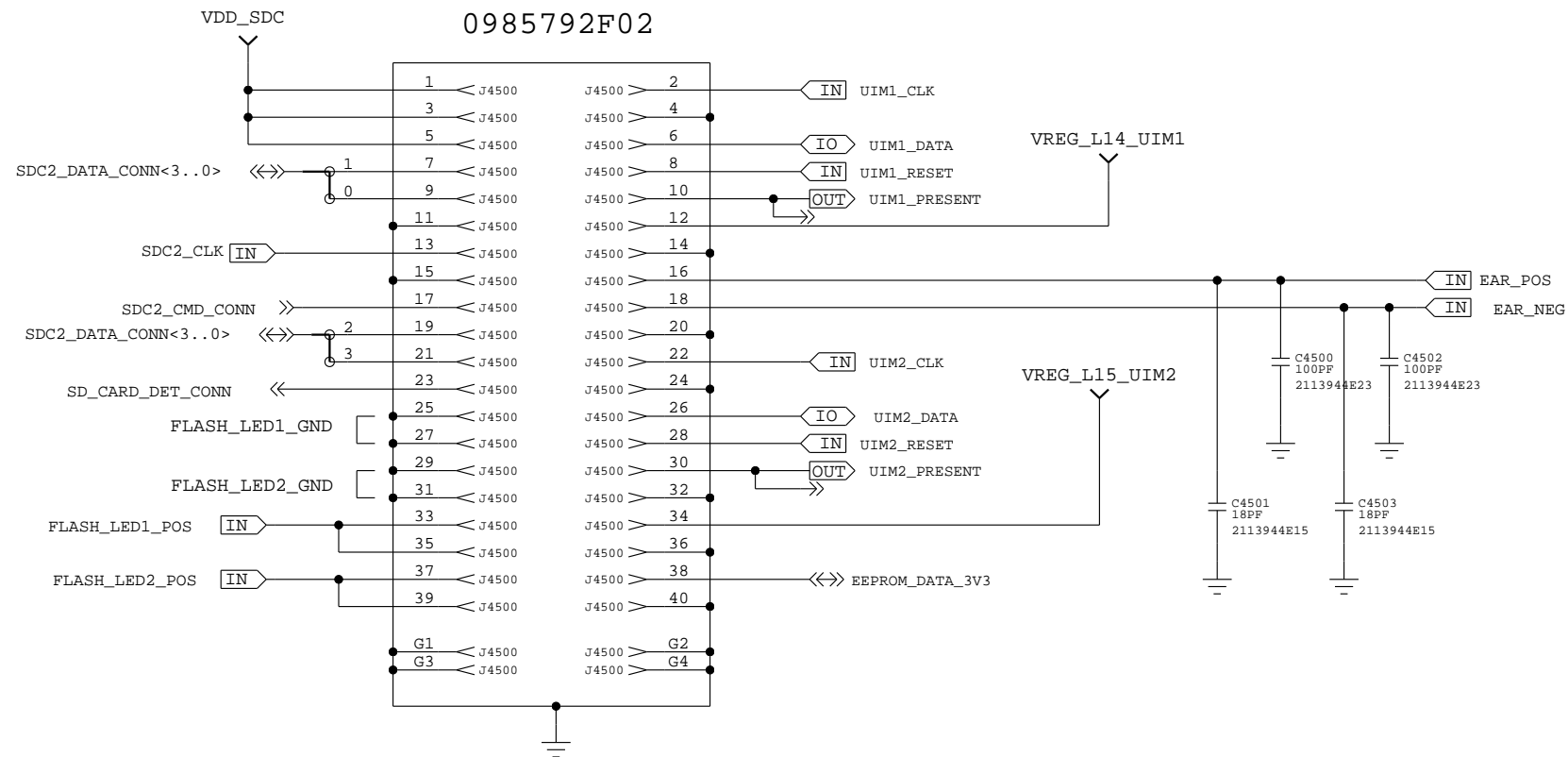
CHARGING



| | | | |
|--|--|-----------------------------------|----------|
| APPROVALS | | MOTOROLA MOBILE DEVICES | |
| ENGINEER: MMI | | BLOCK TITLE: | |
| LAST MODIFIED BY: MMI Thu Oct 01 16:23:21 2015 | | user_interface | |
| MOTOROLA CONFIDENTIAL RESTRICTED <small>THE DRAWING ON THIS PRINT AND INFORMATION THEREWITH ARE PROPRIETARY TO MOTOROLA AND SHALL NOT BE USED OR DISCUSSED IN WHOLE OR IN PART WITHOUT MOTOROLA'S CONSENT. © COPYRIGHT, MOTOROLA. THIS DOES NOT IMPLY PUBLICATION</small> | | PROJECT NAME B 84016525.cpm | REV C |
| CAD FILE NAME: | | PAGE 41 OF 47 | |

DAUGHTER BOARD CONNECTOR

REF 4500-4599

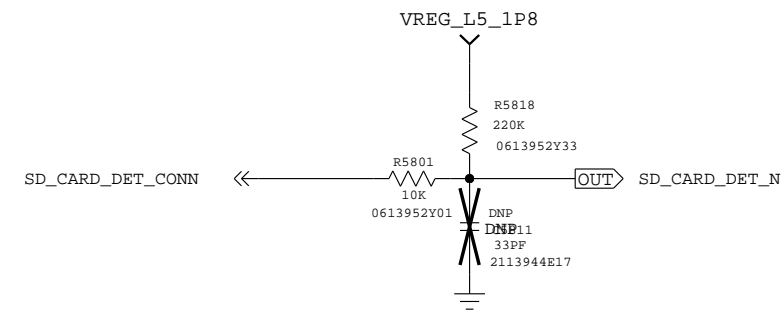
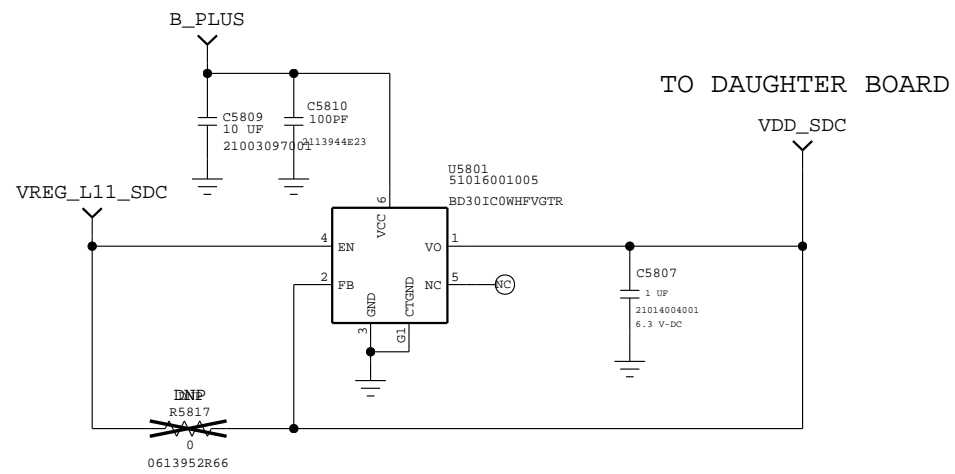


MOTOROLA MOBILITY CONFIDENTIAL RESTRICTED-MDR TRACKED TRACKEDANDBLOCKED

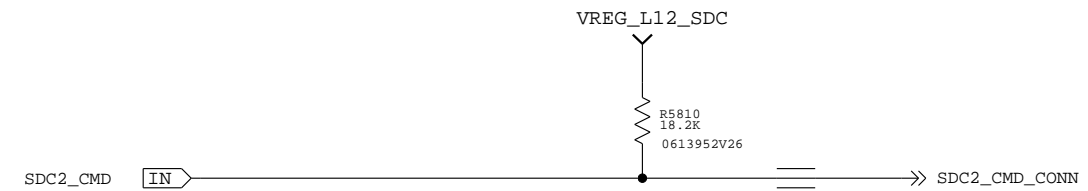
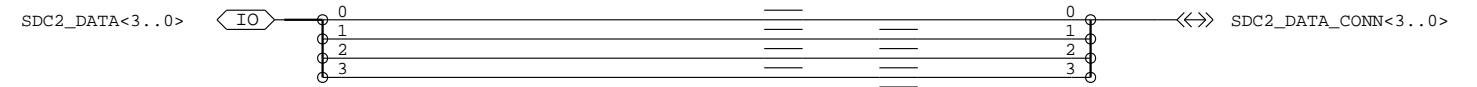
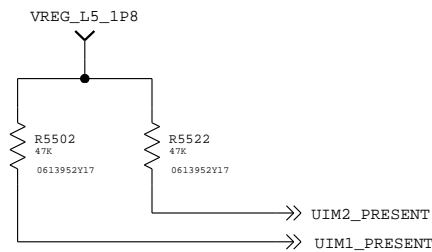
| | | | |
|--|--|-----------------------------------|---------------|
| APPROVALS | | MOTOROLA MOBILE DEVICES | |
| ENGINEER: CARI HERNANDEZ | | BLOCK TITLE: | |
| LAST MODIFIED BY: CARI HERNANDEZ Thu Oct 01 16:23:28 2015 | | daughter_board_conn | |
| MOTOROLA CONFIDENTIAL RESTRICTED <small>THE DRAWING ON THIS PRINT AND INFORMATION THEREWITH ARE PROPRIETARY TO MOTOROLA AND SHALL NOT BE USED OR DISCUSSED IN WHOLE OR IN PART WITHOUT MOTOROLA'S CONSENT. © COPYRIGHT, MOTOROLA. THIS DOES NOT IMPLY PUBLICATION</small> | | PROJECT NAME B 84016525.cpm | REV C |
| | | CAD FILE NAME: | PAGE 42 OF 47 |

SIM/SD/FLASH CARD SUPPORT

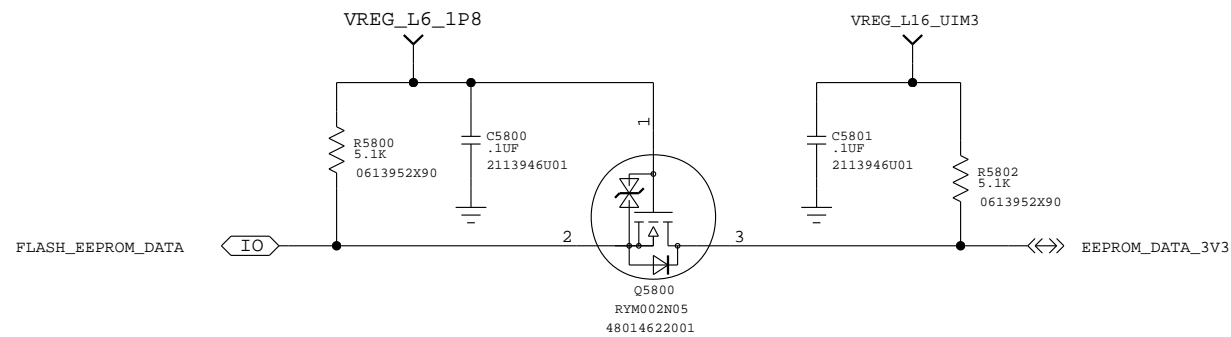
SD CARD POWER SUPPLY



PULLUPS FOR SIM DETECT



LEVEL SHIFT FOR FLASH LED EEPROM DATA

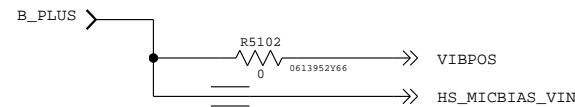
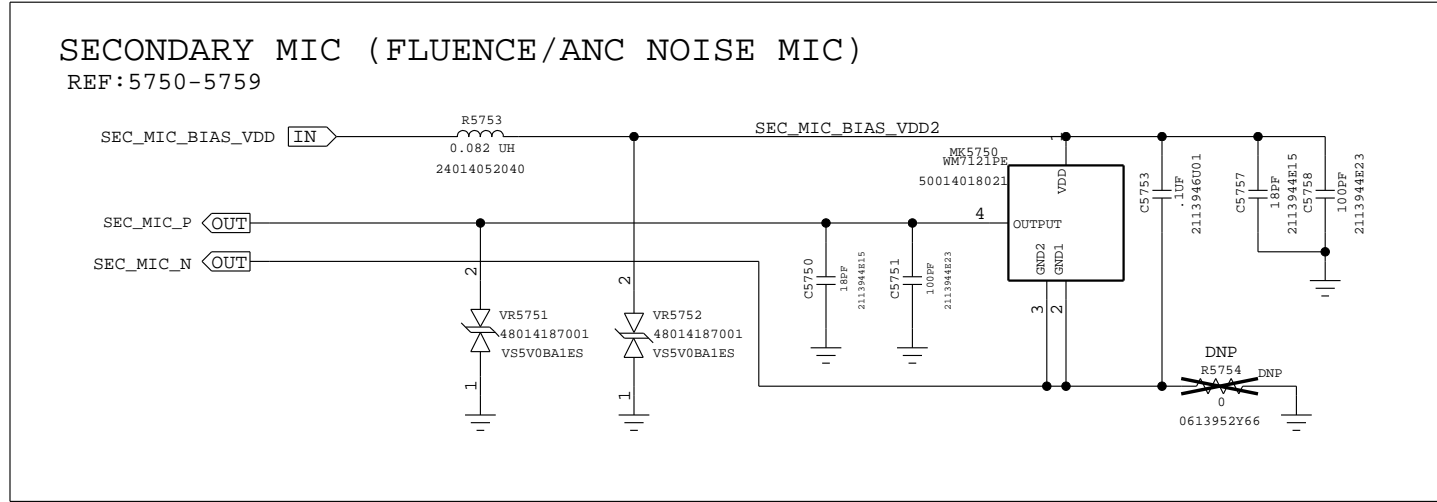
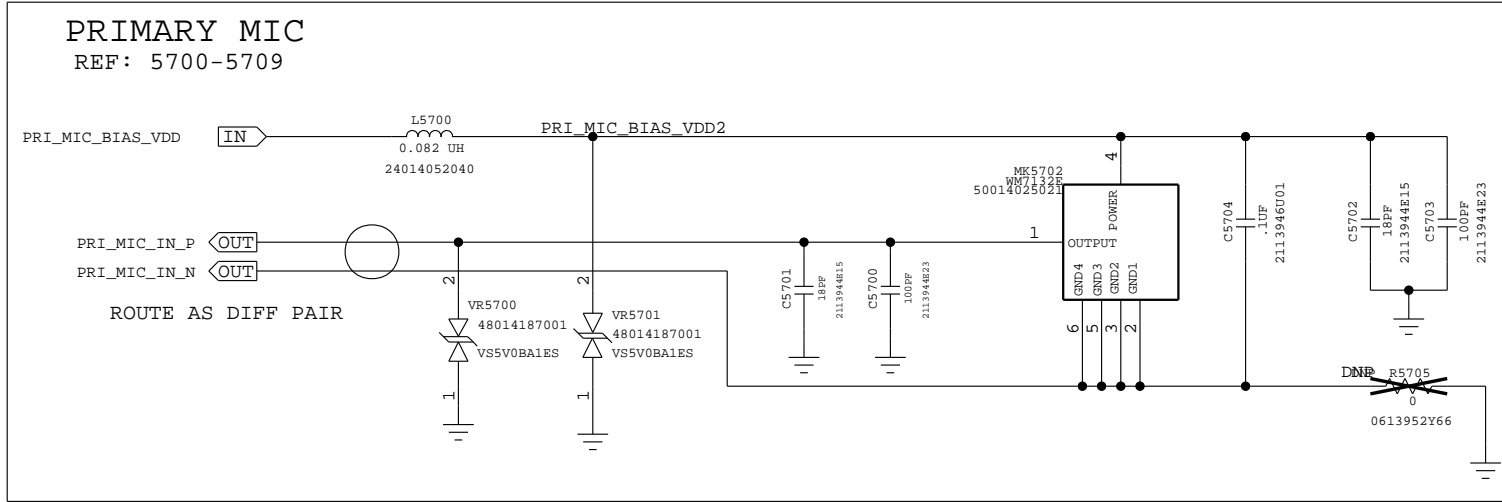


MOTOROLA MOBILITY CONFIDENTIAL RESTRICTED-MDR_TRACKED_TRACKEDANDBLOCKED

| | | | |
|--|--|-----------------------------------|-----|
| APPROVALS | | MOTOROLA MOBILE DEVICES | |
| ENGINEER: CARLOS TORRES | | BLOCK TITLE: | |
| LAST MODIFIED BY: CARLOS TORRES Thu Oct 01 16:23:29 2015 | | daughter_board_conn | |
| MOTOROLA CONFIDENTIAL RESTRICTED THE DRAWING ON THIS PRINT AND INFORMATION THEREWITH ARE PROPRIETARY TO MOTOROLA AND SHALL NOT BE USED OR DISCUSSED IN WHOLE OR IN PART WITHOUT MOTOROLA'S CONSENT. © COPYRIGHT, MOTOROLA. THIS DOES NOT IMPLY PUBLICATION | | PROJECT NAME | REV |
| | | B 84016525.cpm | C |
| CAD FILE NAME: | | PAGE 43 OF 47 | |

MICS

REF: 5700-5799

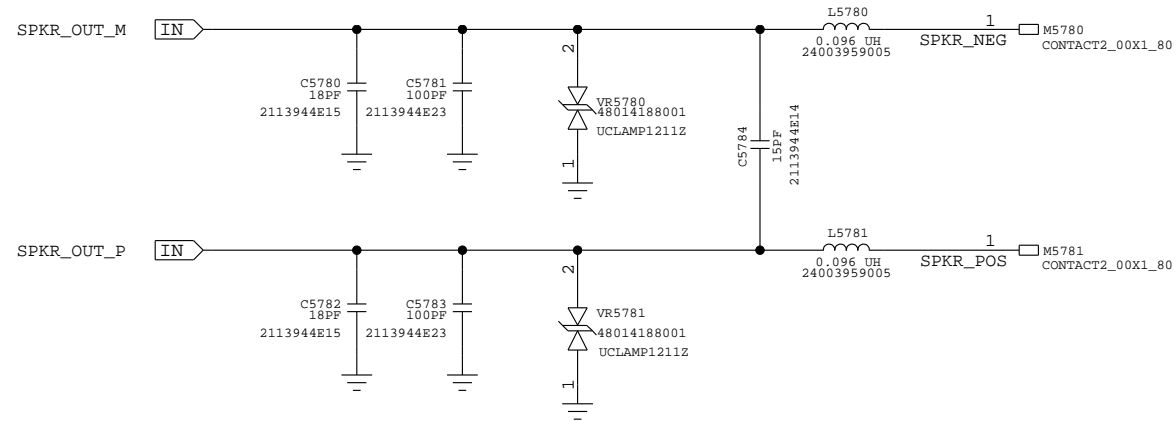


| | | | |
|--|--|-----------------------------------|----------|
| APPROVALS | | MOTOROLA MOBILE DEVICES | |
| ENGINEER: DENNIS BUDNICK | | BLOCK TITLE: | |
| LAST MODIFIED BY: NATE CONNELL Thu Oct 01 16:23:30 2015 | | audio_fe | |
| MOTOROLA CONFIDENTIAL RESTRICTED <small>THE DRAWING ON THIS PRINT AND INFORMATION THEREWITH ARE PROPRIETARY TO MOTOROLA AND SHALL NOT BE USED OR DISCUSSED IN WHOLE OR IN PART WITHOUT MOTOROLA'S CONSENT. © COPYRIGHT, MOTOROLA. THIS DOES NOT IMPLY PUBLICATION</small> | | PROJECT NAME B 84016525.cpm | REV C |
| | | CAD FILE NAME: | |
| | | PAGE 44 OF 47 | |

SPEAKER_VIB

LOUDSPEAKER

REF: 5780-5789



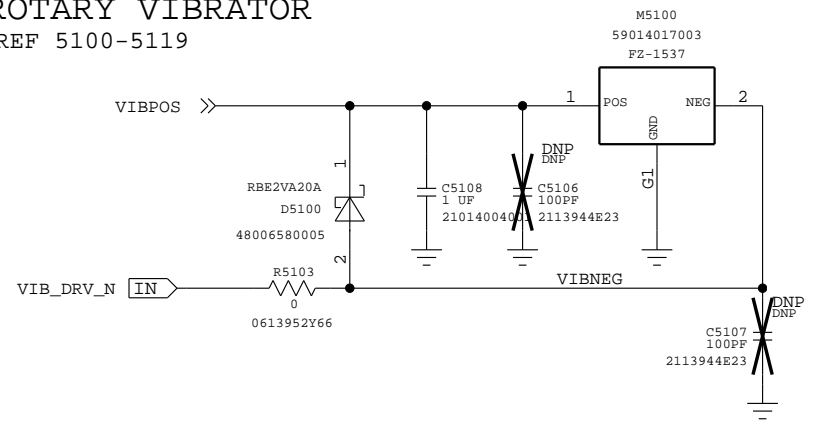
EARPIECE TRANSDUCER

REF: 5780-5789

EARPIECE MOVED TO DAUGHTER CARD

ROTARY VIBRATOR

REF 5100-5119



APPROVALS

ENGINEER: DENNIS BUDNICK

LAST MODIFIED BY: TIM MILLER
Thu Oct 01 16:23:31 2015

MOTOROLA CONFIDENTIAL RESTRICTED

THE DRAWING ON THIS PRINT AND INFORMATION
THEREWITH ARE PROPRIETARY TO MOTOROLA AND
SHALL NOT BE USED OR DISCUSSED IN WHOLE
OR IN PART WITHOUT MOTOROLA'S CONSENT.
© COPYRIGHT, MOTOROLA. THIS DOES
NOT IMPLY PUBLICATION



BLOCK TITLE:

audio_fe

PROJECT NAME
B 84016525.cpm

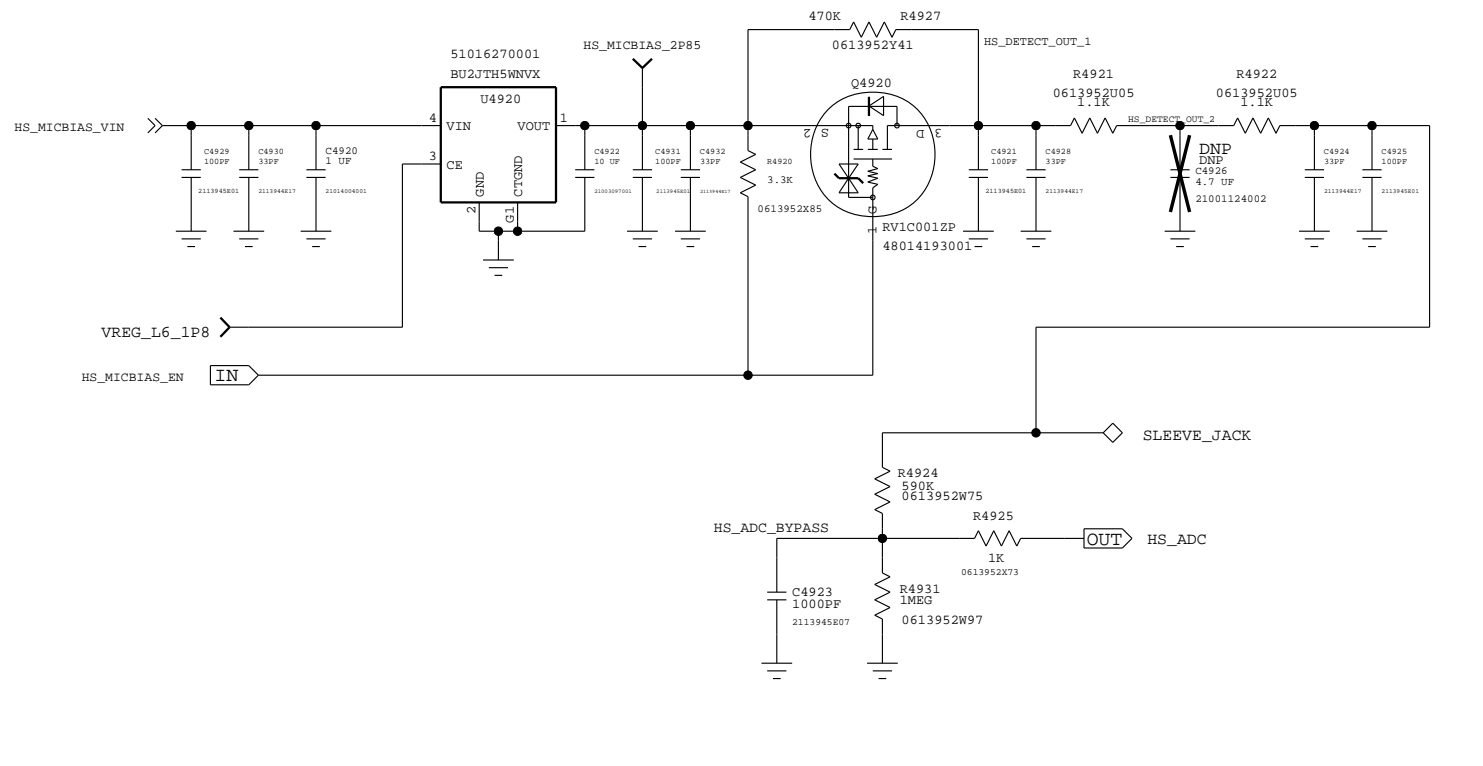
REV
C

CAD FILE NAME:

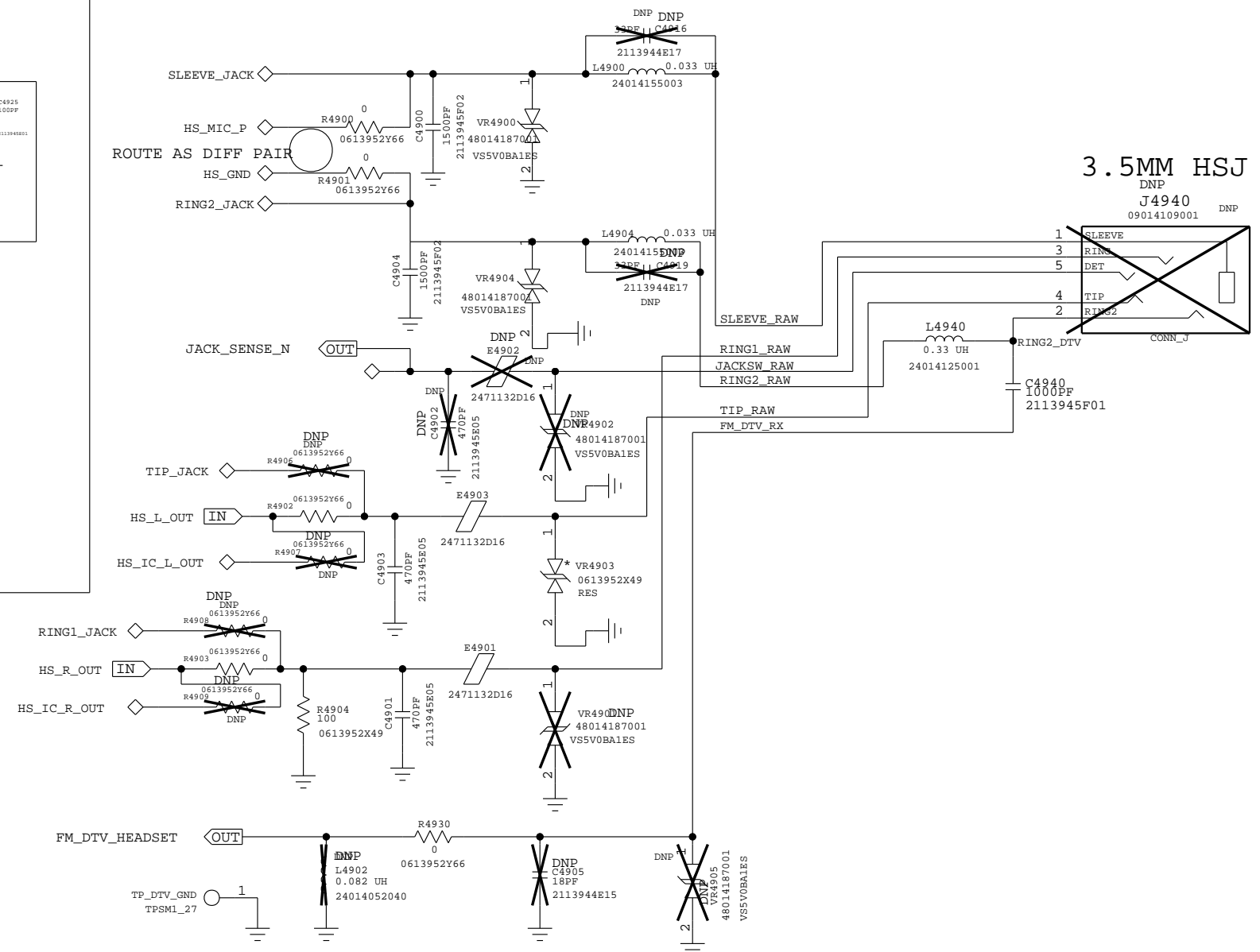
PAGE 45 OF 47

3.5MM HEADSET

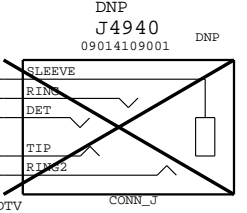
SENSOR HUB HEADSET DETECTION CIRCUIT



REF:4900-4949

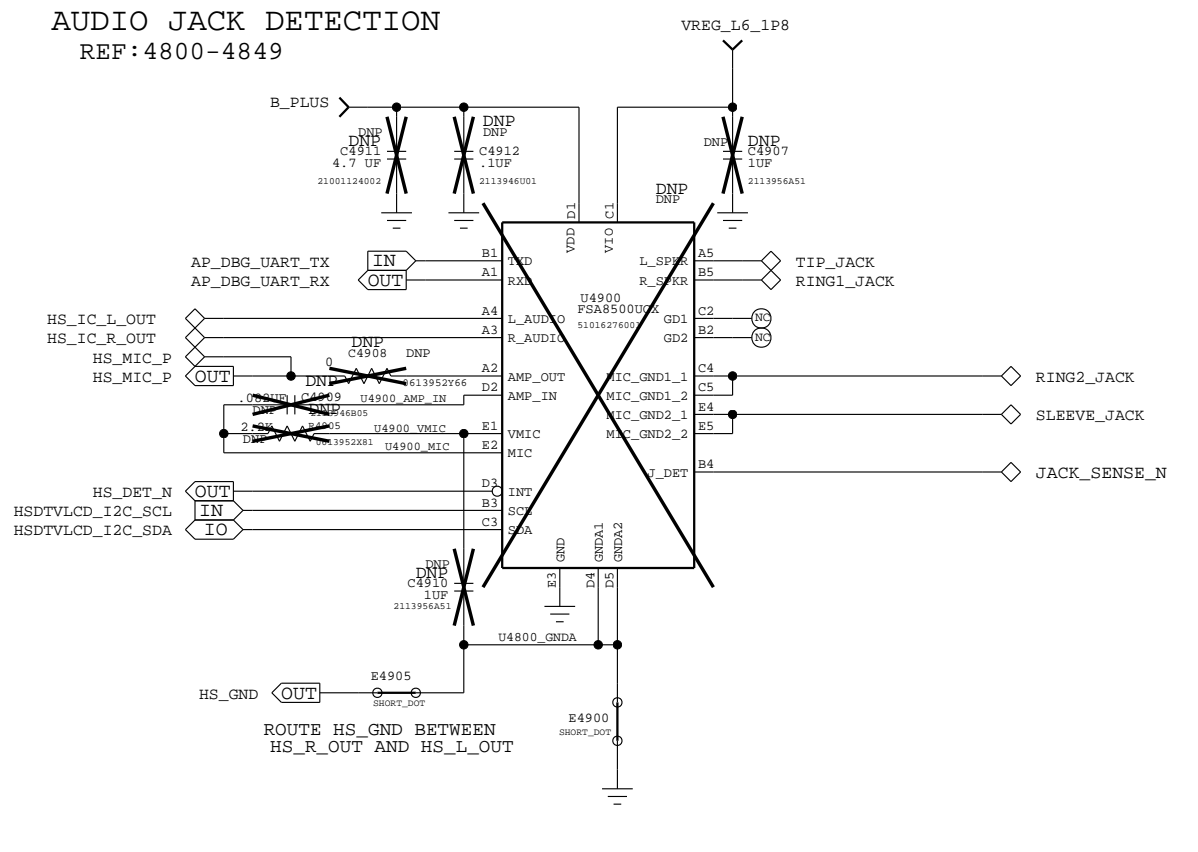


3.5MM HSJ



AUDIO JACK DETECTION

REF:4800-4849

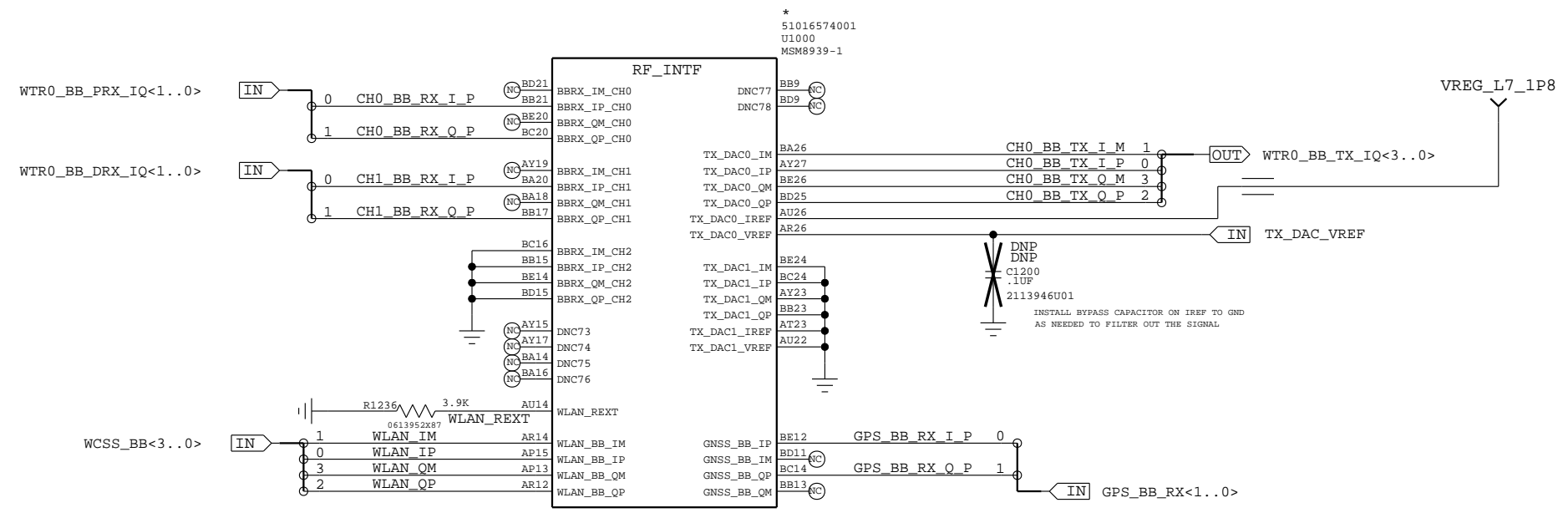


ROUTE HS_GND BETWEEN HS_R_OUT AND HS_L_OUT

| | | | |
|--|--|-----------------------------------|----------|
| APPROVALS | | MOTOROLA MOBILE DEVICES | |
| ENGINEER: MMI | | BLOCK TITLE: | |
| LAST MODIFIED BY: MMI | | audio_fe | |
| Fri Oct 09 16:33:15 2015 | | | |
| MOTOROLA CONFIDENTIAL RESTRICTED | | | |
| THE DRAWING ON THIS PRINT AND INFORMATION THEREWITH ARE PROPRIETARY TO MOTOROLA AND SHALL NOT BE USED OR DISCUSSED IN WHOLE OR IN PART WITHOUT MOTOROLA'S CONSENT. © COPYRIGHT, MOTOROLA. THIS DOES NOT IMPLY PUBLICATION | | | |
| B | | PROJECT NAME 84016525.cpm | REV C |
| | | CAD FILE NAME: | |
| | | PAGE 46 OF 47 | |

MSM8X36 RF INTERFACE

REF 1200-1299



INFO: QC DOES NOT HAVE SOME BUSES SO SOME OF THE NAMES ARE COPIED FROM DVX

| | | | |
|--|--|-----------------------------------|-----|
| APPROVALS | | MOTOROLA MOBILE DEVICES | |
| ENGINEER: | | BLOCK TITLE: | |
| LAST MODIFIED BY: FAN021 Thu Oct 01 16:23:32 2015 | | block_msm8x16_rf | |
| MOTOROLA CONFIDENTIAL RESTRICTED THE DRAWING ON THIS PRINT AND INFORMATION THEREWITH ARE PROPRIETARY TO MOTOROLA AND SHALL NOT BE USED OR DISCUSSED IN WHOLE OR IN PART WITHOUT MOTOROLA'S CONSENT. © COPYRIGHT, MOTOROLA. THIS DOES NOT IMPLY PUBLICATION | | PROJECT NAME | REV |
| | | B 84016525.cpm | C |
| CAD FILE NAME: | | PAGE 47 OF 47 | |