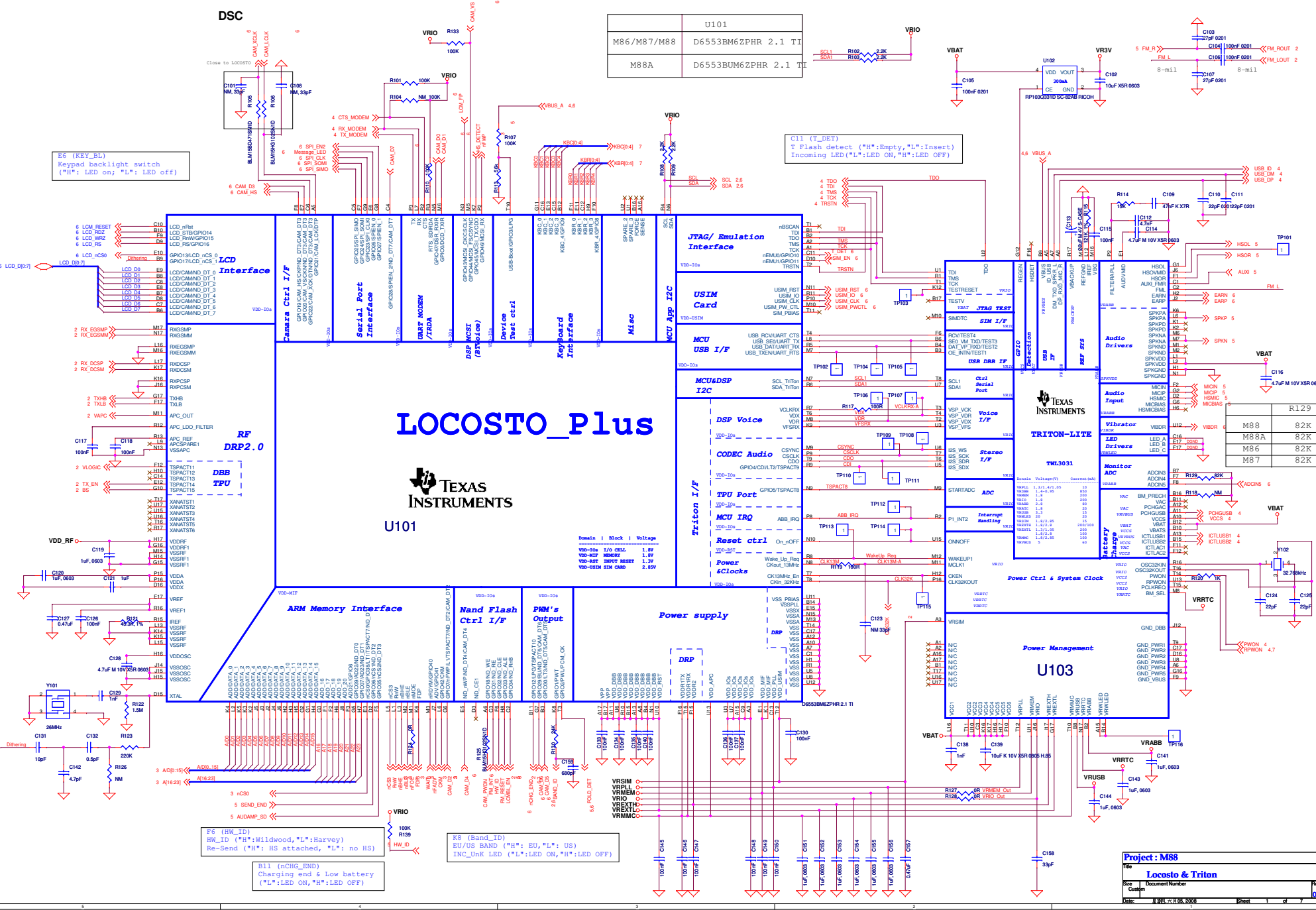


M86/M87/M88	D6553BM6ZPBR 2.1 TI
M88A	D6553BUM6ZPBR 2.1 TI

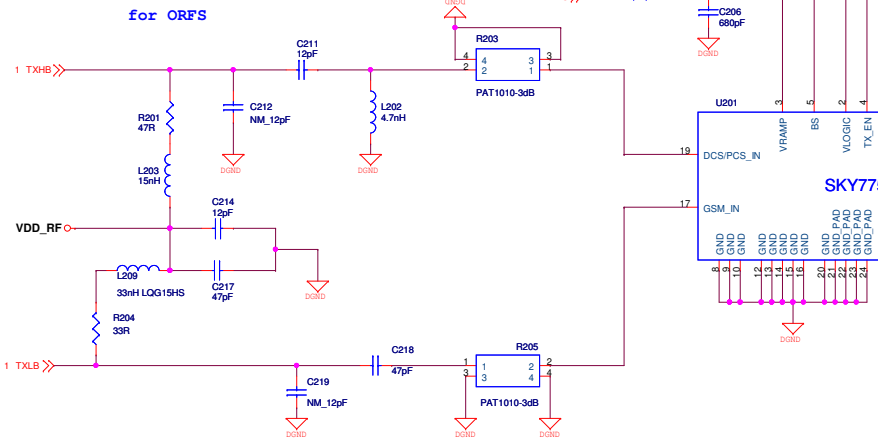
# LOCOSTO\_Plus

TEXAS INSTRUMENTS

## U101

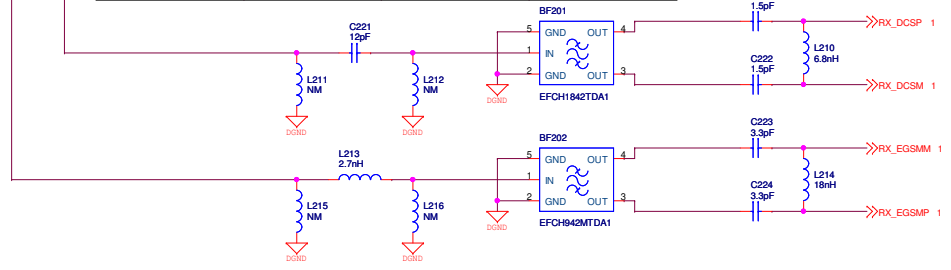


Band	R204
M86/M87/M88	33
M88A	0



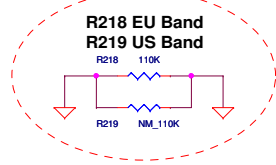
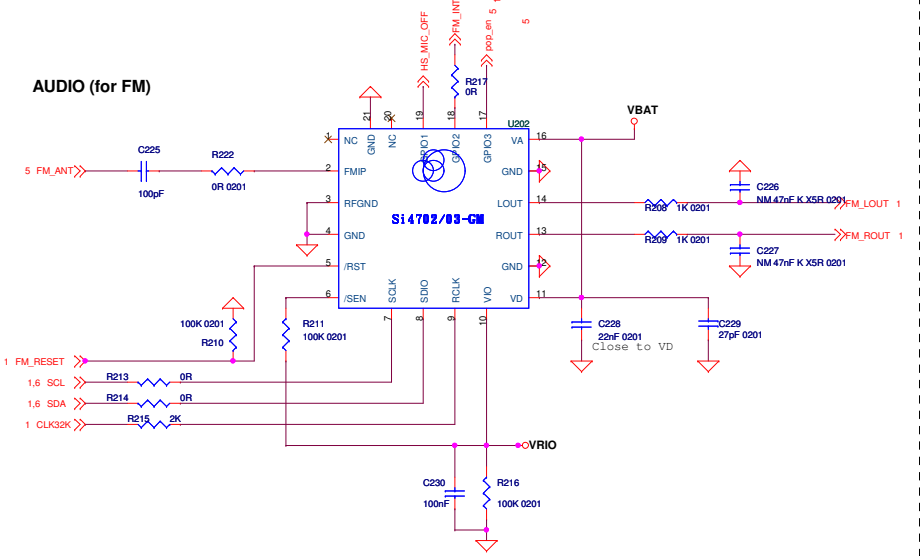
Band	L204	L206	C215	C213	C216
M86/M87/M88	12pF	10nH	68nH	33pF	68nH
M88A	33pF	15nH	68nH	33pF	68nH

Band	U201	BF201	BF202
M86/M87/M88	SKY77518-21	EFCH1842TDA1	EFCH1960TDA1
M88A	SKY77517-21	EFCH942MTDA1	EFCH881MTDA1



	L217	C201	L208	C223	C224	L214	L213
M86/M88	NM	5.6nH	0.5pF	3.3pF	3.3pF	18nH	2.7nH
M88A	0R 0201	12pF	3.6nH	1.8pF	1.8pF	22nH	1.2nH
M87	NM	18pF	12nH	3.3pF	3.3pF	18nH	2.7nH

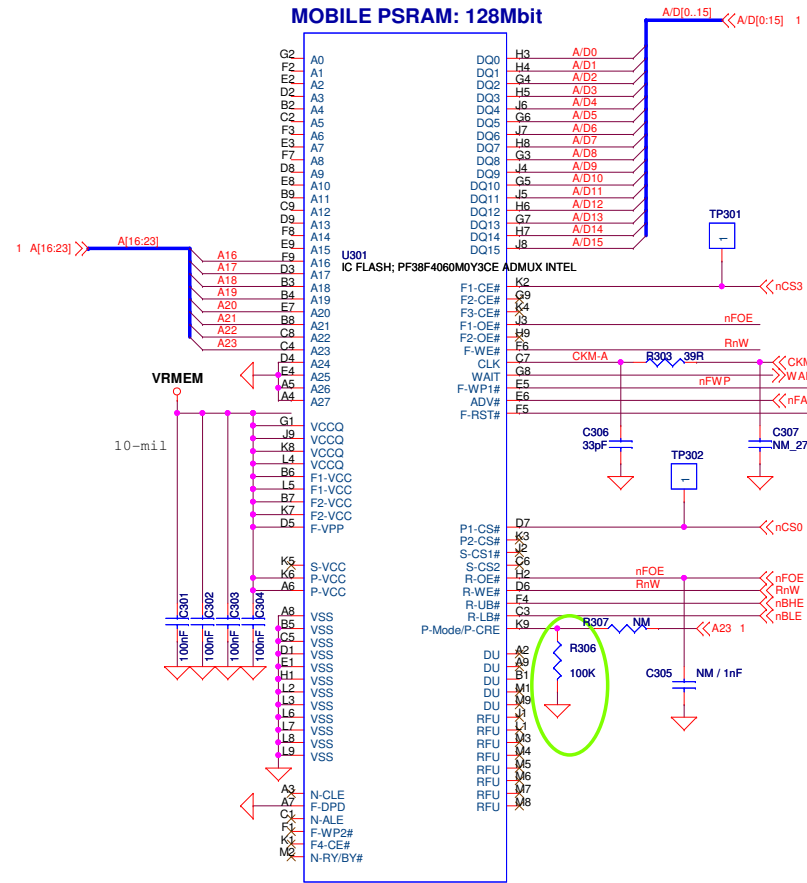
**AUDIO (for FM)**



Band\_ID  
(\*H\*:GSM900/1800,\*L\*:GSM850/1900)

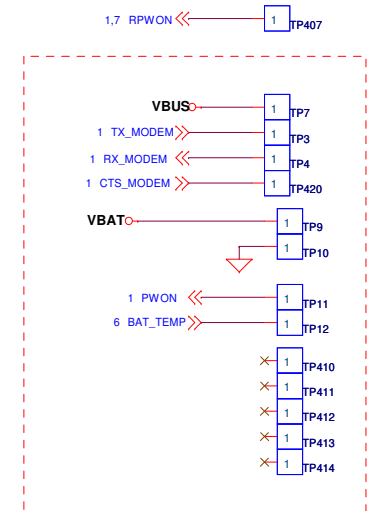
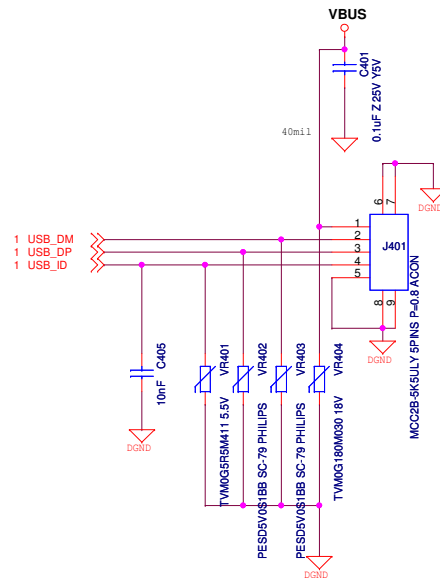
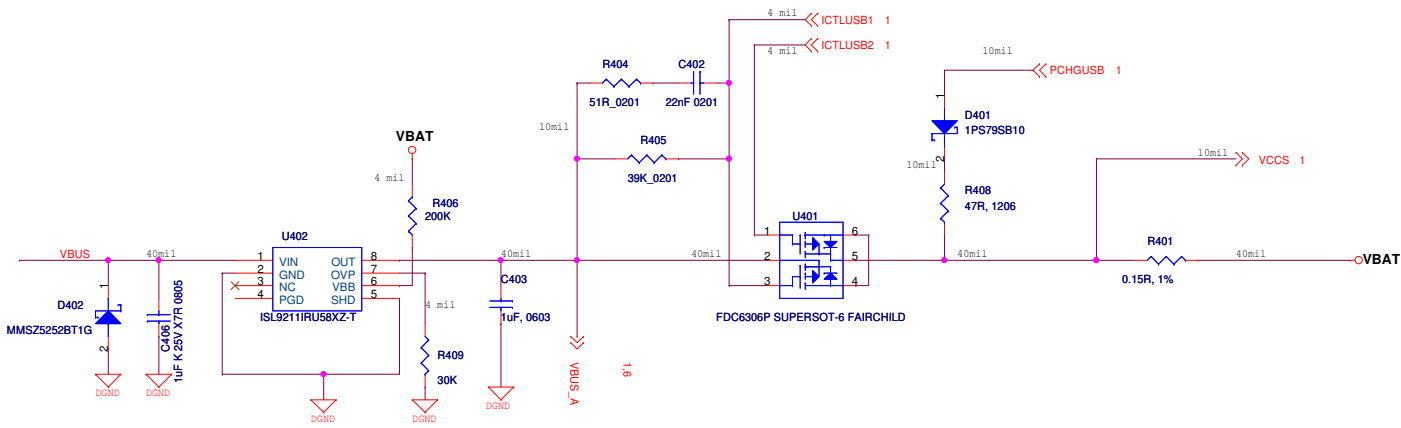
Band	R221	R220	R218	R219
M86/M87/M88	91K	NM	110K	NM
M88A	91K	NM	NM	110K

**Sibley 65nm ADMUX(107 Balls)  
NOR FLASH: 256Mbit  
MOBILE PSRAM: 128Mbit**

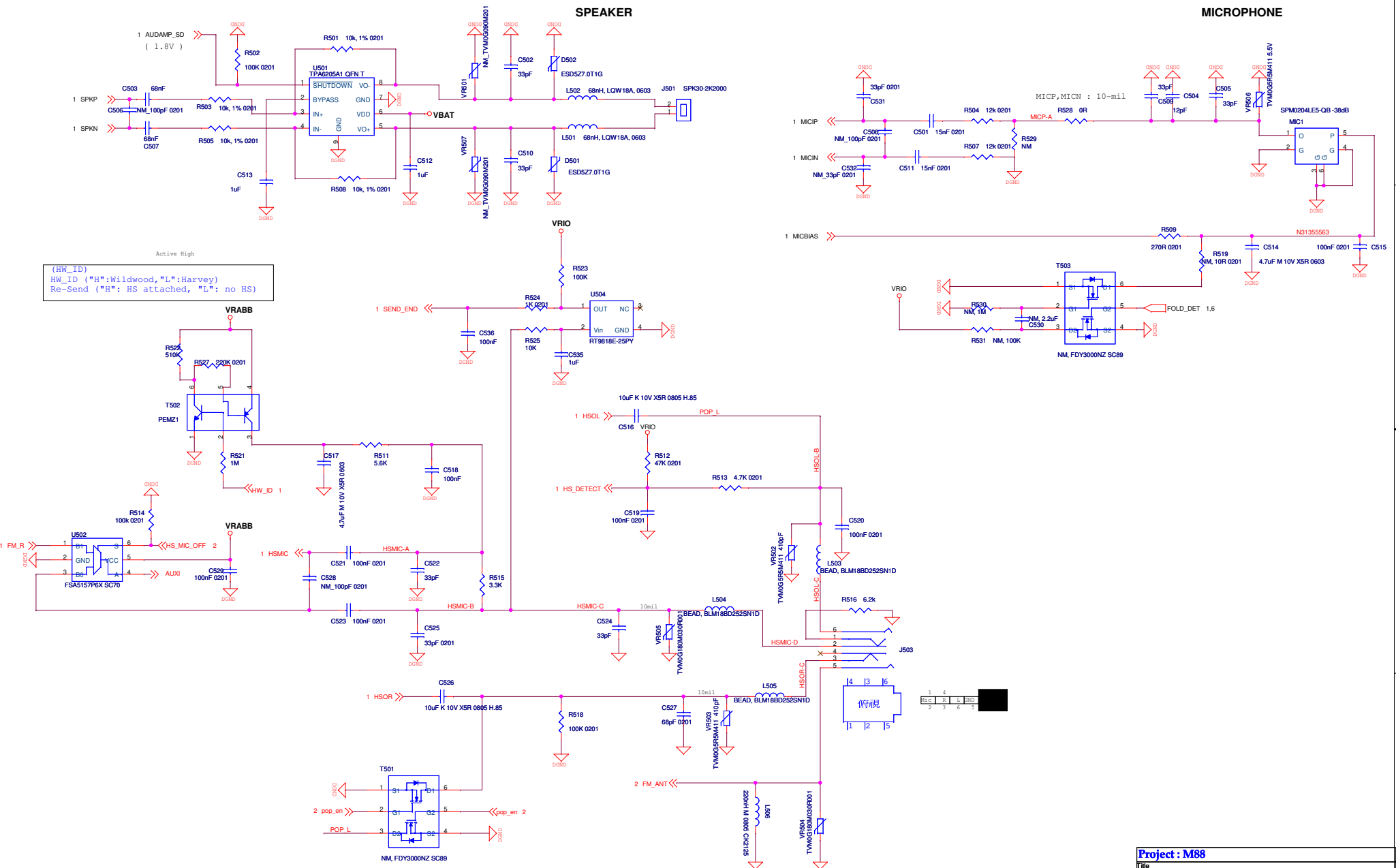


	C307	C303	C306
M86 /M87 /M88	NM_27pF	39 R	33pF
M88A	NM_47pF	0 R	NM

<b>Project : M88</b>		
Title	<b>MCP</b>	
Size	Document Number	Rev
A3		0
Date:	星期一, 五月 12, 2008	Sheet 3 of 7



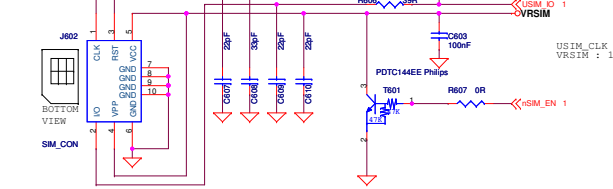
<b>Project : M88</b>		
<b>Title</b> <b>CHARGER</b>		
<b>Size</b> A3	<b>Document Number</b>	<b>Rev</b> 0
<b>Date:</b> 星期五, 五月 30, 2008	<b>Sheet</b> 4	<b>of</b> 7



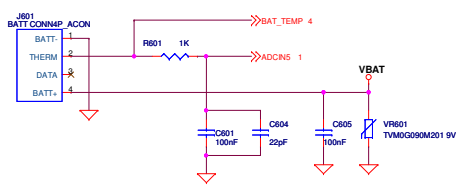
(HW\_ID)  
 HW\_ID ("H":Wildwood,"L":Harvey)  
 Re-Send ("H": HS attached, "L": no HS)

Project : M88			
File			
AUDIO			
Size	Document Number	Rev 0	
Date:	星期二, 七月 16, 2006	Sheet	5 of 7

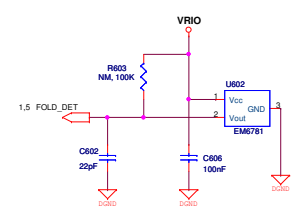
**SIM CARD**



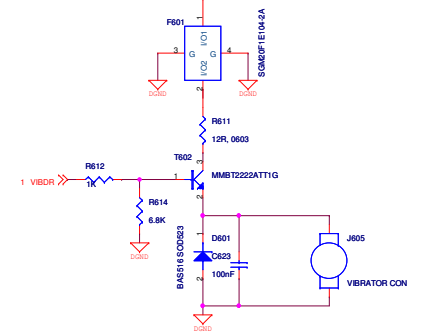
**BATTERY CONNECTOR**



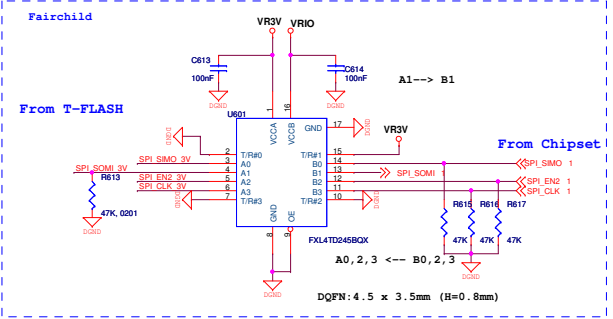
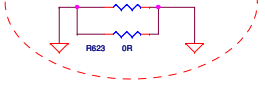
**Folder sensor**



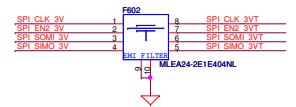
**VIBRATOR DRIVER**



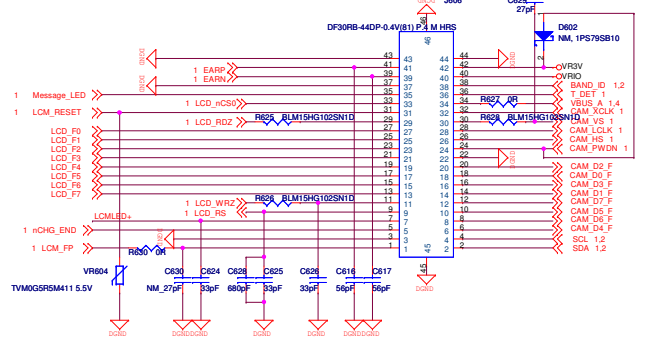
**R623 with Camera (C)  
R624 with FM (F)**



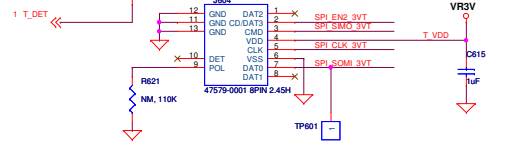
**EMI filter for SPI bus**



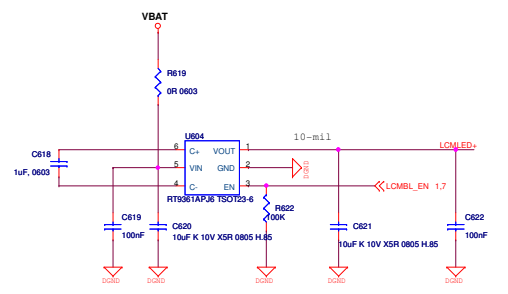
**BTB CONN**



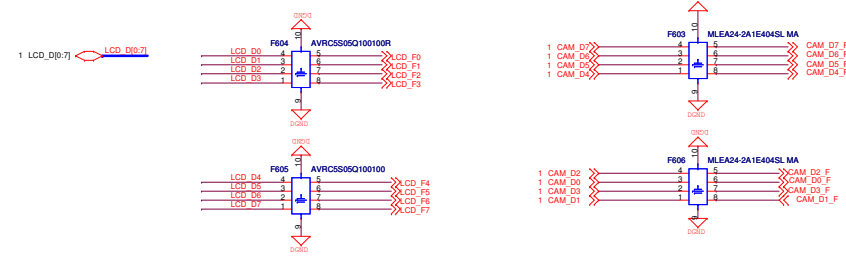
Band	R618
M86/M87/M88	4.7K
M88A	NM



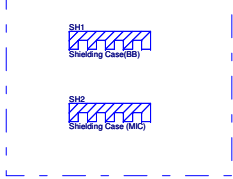
**LCM BACK LIGHT DRIVER**



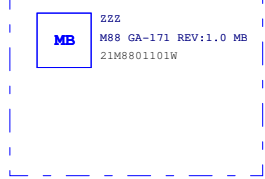
Band	C630
M86/M87/M88	NM
M88A	27pF



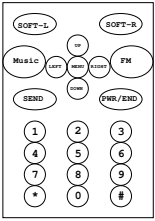
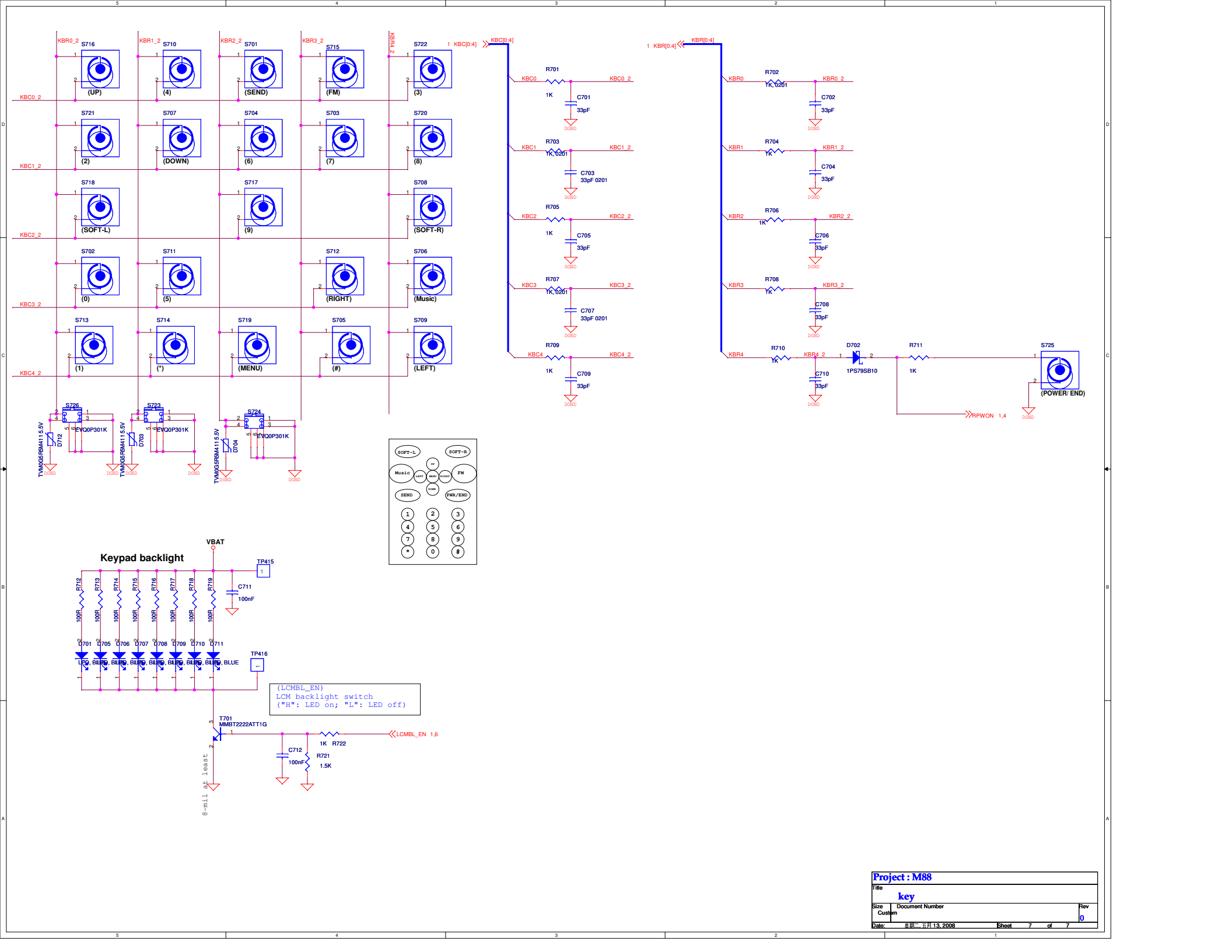
**ME (SHIELDING CASE)**



**PCB**



Band	ZZZ
M86	M88 GA-171 REV:1.0 MB
M87/M88	M88 GA-171 REV:1.0 MB
M88A	M88 GA-171 REV:1.0 MB



Project: M88			
File	key		
Size	Document Number	Rev	
Cluster		0	
Date:	星期二, 五月 13, 2008	Sheet	7 of 7