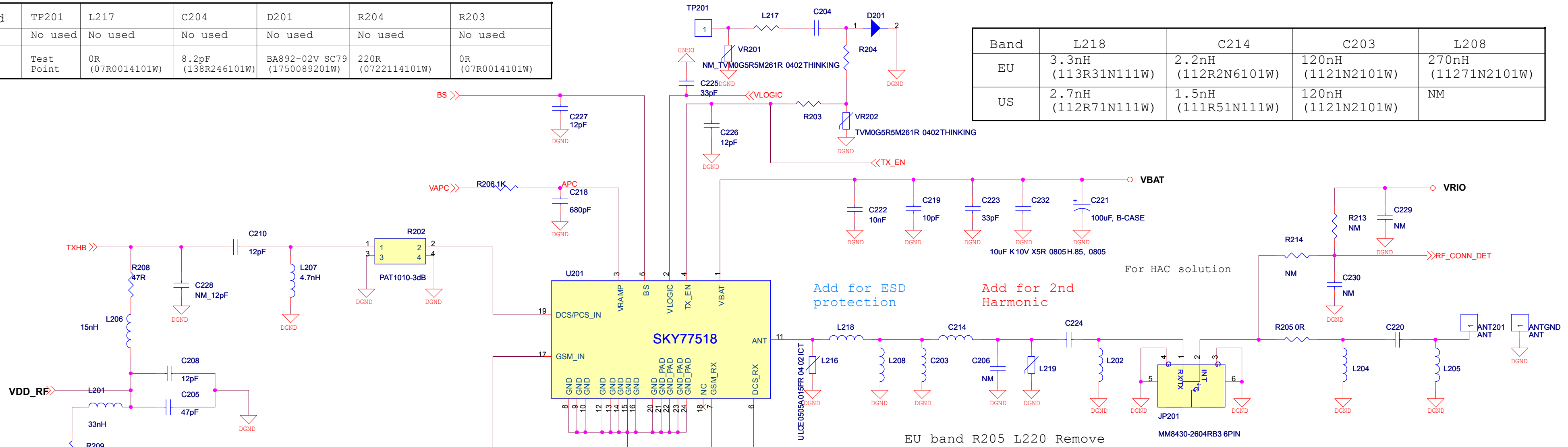


Band	TP201	L217	C204	D201	R204	R203
EU	No used	No used	No used	No used	No used	No used
US	Test Point	0R (07R0014101W)	8.2pF (138R246101W)	BA892-02V SC79 (1750089201W)	220R (0722114101W)	0R (07R0014101W)

Band	L218	C214	C203	L208
EU	3.3nH (113R31N111W)	2.2nH (112R2N6101W)	120nH (1121N2101W)	270nH (11271N2101W)
US	2.7nH (112R71N111W)	1.5nH (111R51N111W)	120nH (1121N2101W)	NM



Band	L204	L205	C220	C224	L202	L219
EU	NM	NM	68pF (1368046111W)	100pF 1310146111W	VARISTOR 2010505331W	NM
US	22nH (112202N111W)	NM	33pF (1333046111W)	100pF 1310146111W	100nH 11101N2104W	VARISTOR 2010505331W

Band	U201	BF201	BF202
EU	SKY77518 PA (0427751801W)	FAR-F5KB-942M50-B4EB FUJITSU (2020942026W)	FAR-F6KB-1G8425-B4GA FUJITSU (2021842025W)
US	SKY77517 PA (0427751701W)	EFCH881MTDA1 GSM850 (2020850008W)	EFCH1960TDA1 PCS1900 (2021900005W)

Band	C215	C217	L213	C216	L212	C209	C213	L209
EU	1.5pf (131R516103W)	1.5pf (131R516103W)	5.6nH (115R6N1103W)	22pf (1322046111W)	33pf (1333046111W)	2.2pf (132R216103W)	2.2pf (132R216103W)	18nH (11180N2104W)
US	2.7pF (132R716102W)	2.7pF (132R716102W)	5.6nH (115R6N1103W)	1.2nH (111R2N1102W)	2.7nH (112R71N111W)	2.2pf (132R216103W)	2.2pf (132R216103W)	22nH (112202N111W)

