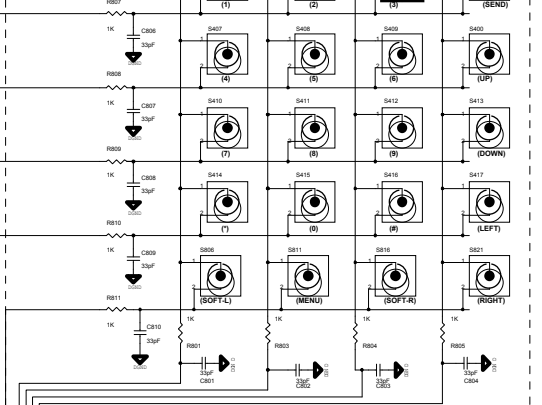
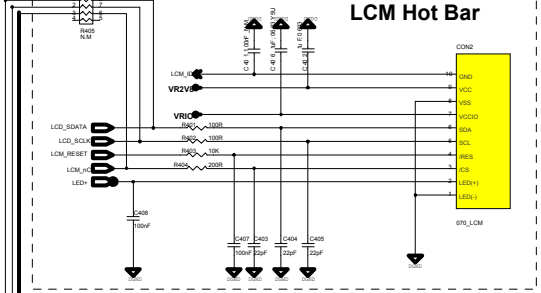


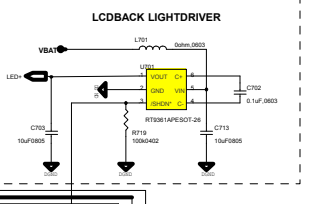
### Keypad Circuit



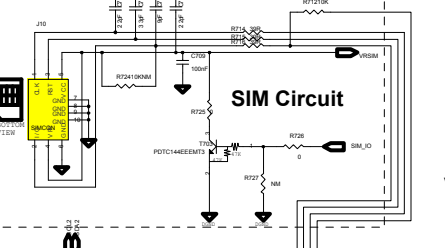
### LCM Hot Bar



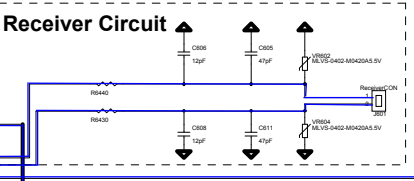
### LCDBACK LIGHTDRIVER



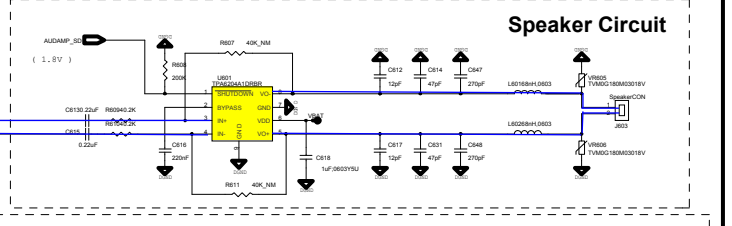
### SIM Circuit



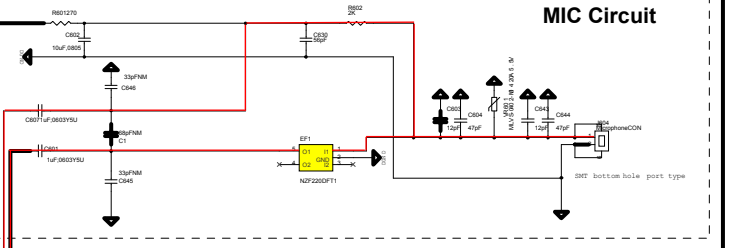
### Receiver Circuit



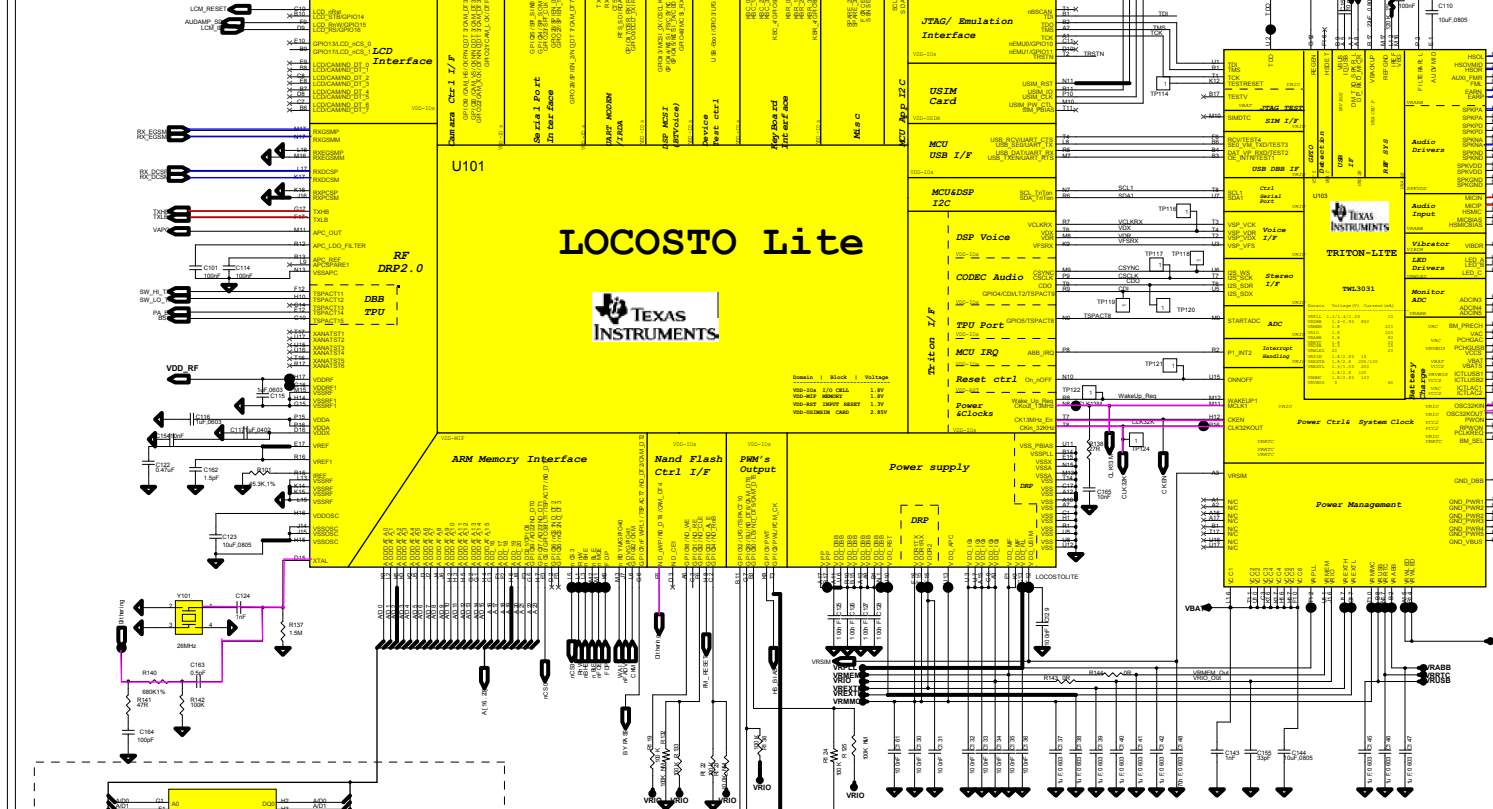
### Speaker Circuit



### MIC Circuit

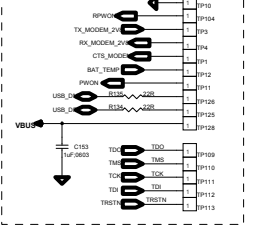


## LOCOSTO Lite

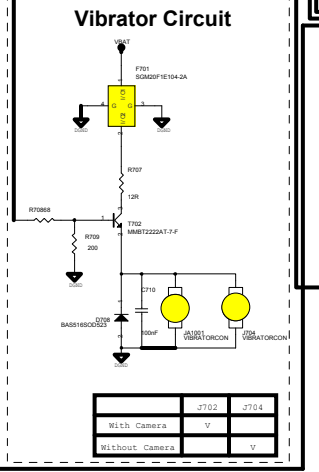


A6 0: R83 1: R85  
 R3 0: No DDC 1: with DDC  
 F6 Low: No FM, High: Has FM  
 O2 Low: 850 band, High: 900 band

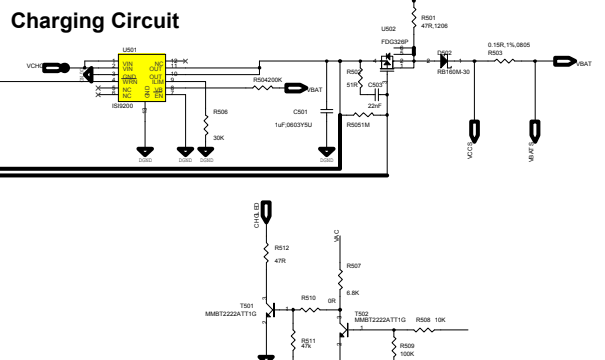
### Test Point



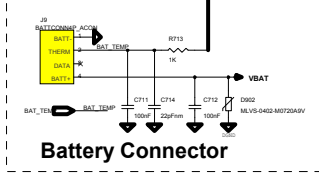
### Vibrator Circuit



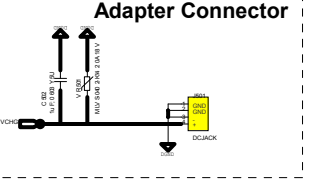
### Charging Circuit



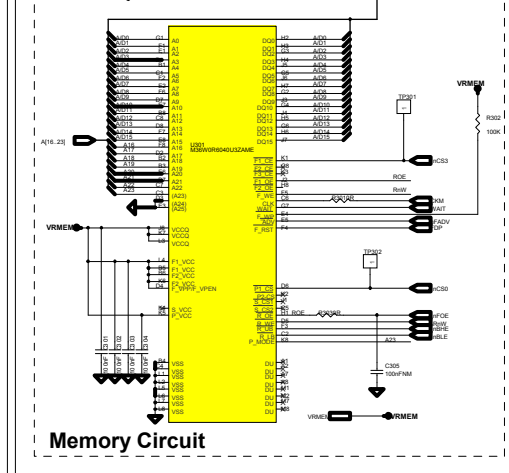
### Battery Connector



### Adapter Connector



### Memory Circuit



### Keypad Backlight

