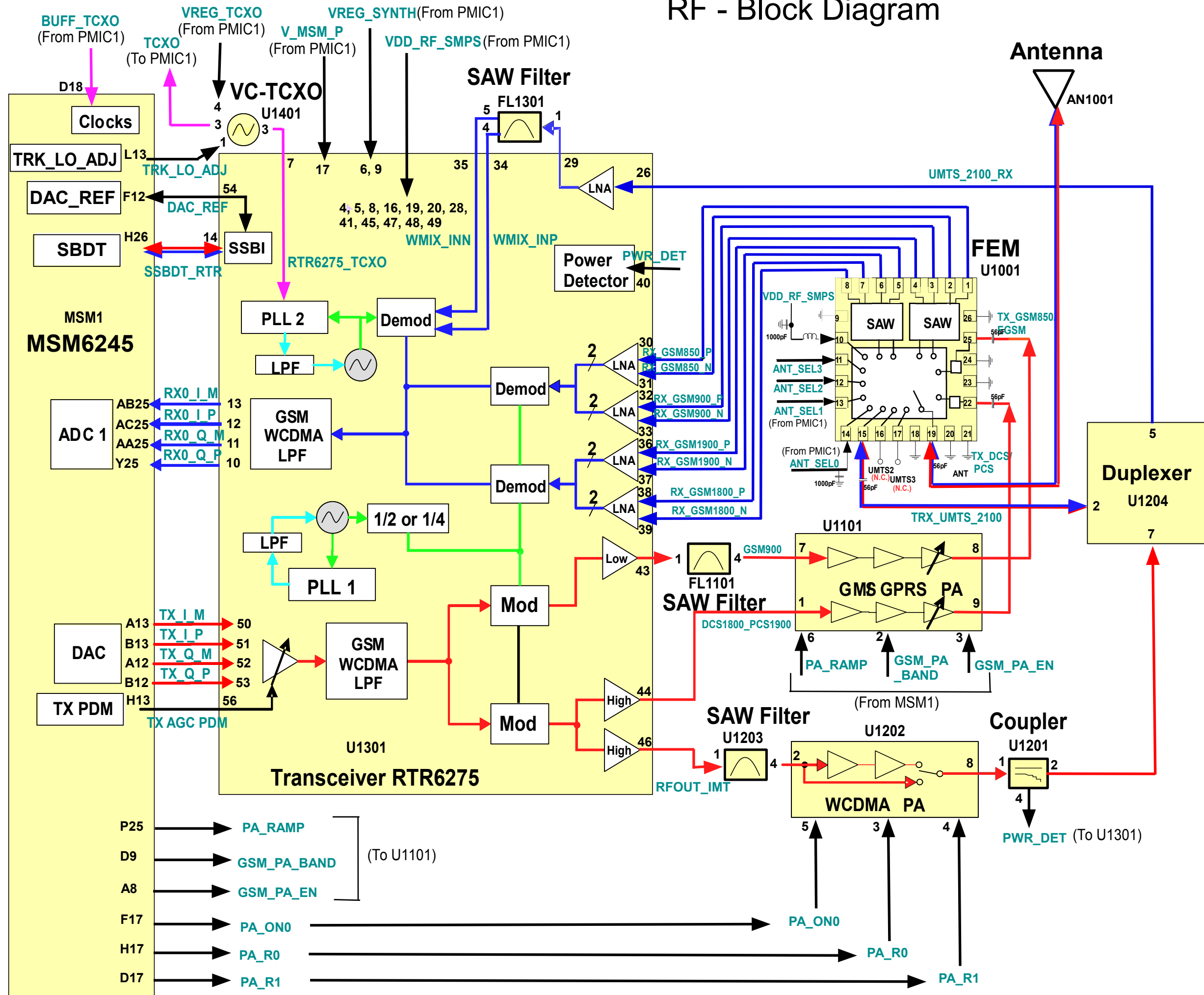
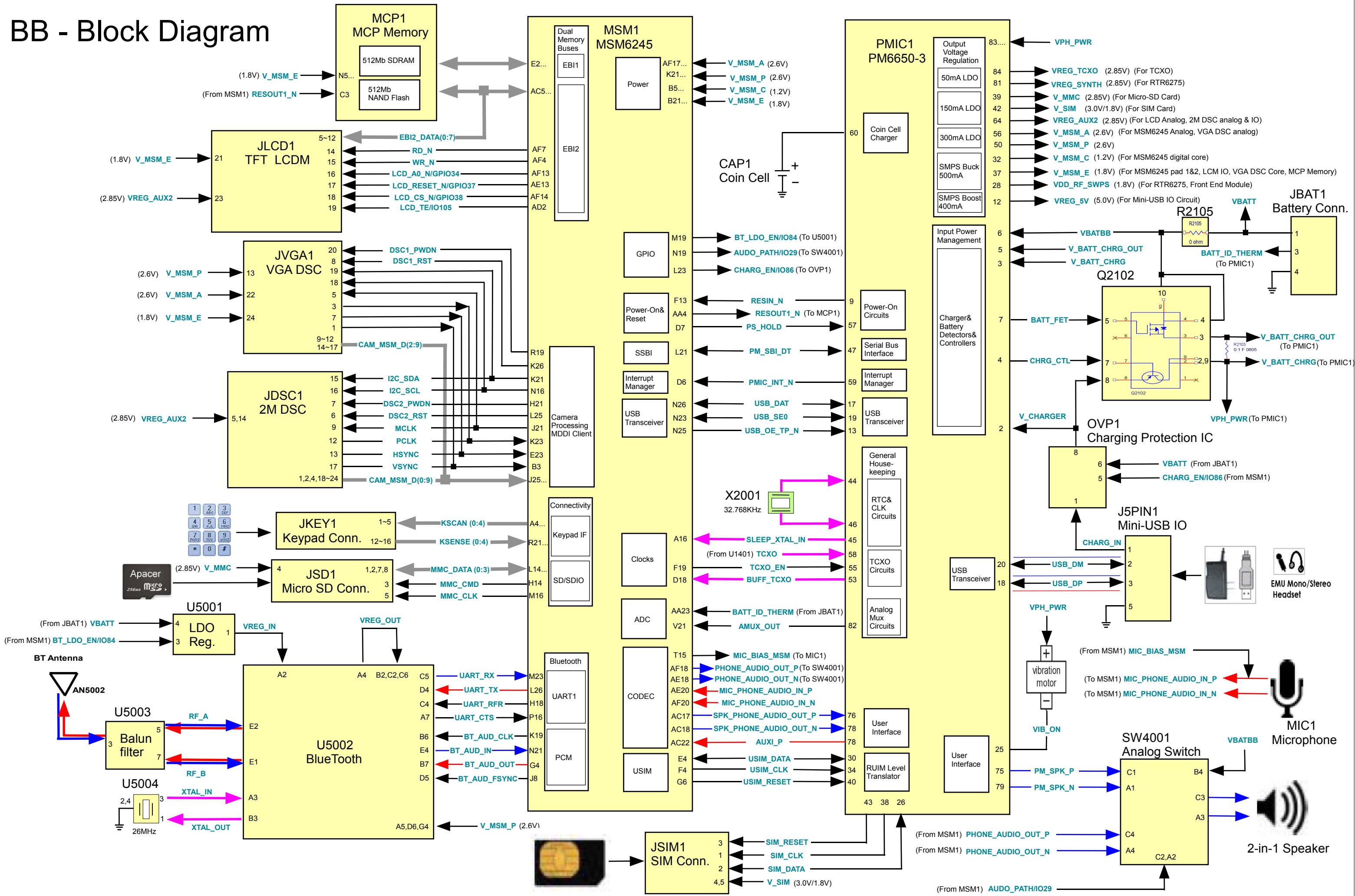


# RF - Block Diagram



# BB - Block Diagram



**VE538**

Service Engineering & Optimization  
Level 3 Authorized

REVISIONS	
Service Engineering & Optimization	2008/09/12
Level 3 Block Diagram	Rev. 1.0
VE538	
Repair Optimization Service Training	Page 2 of 2