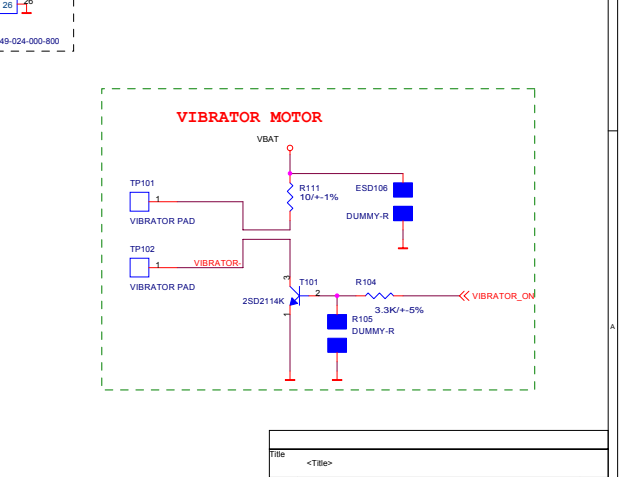
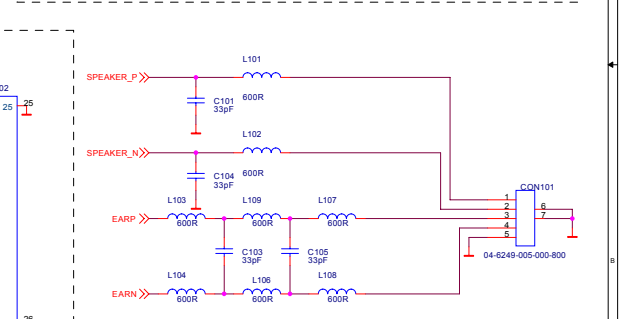
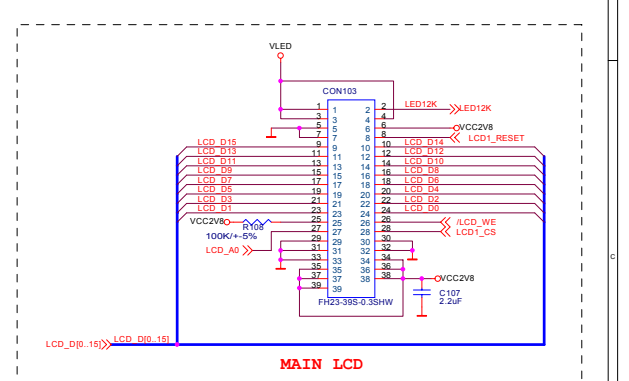
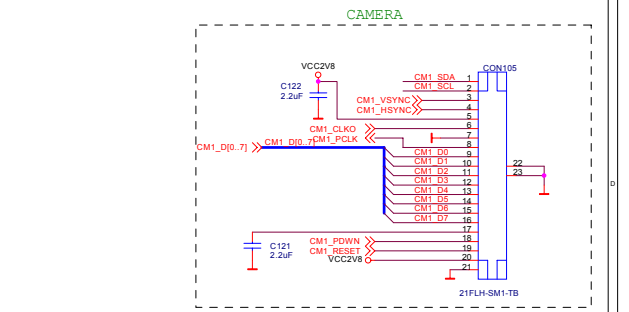
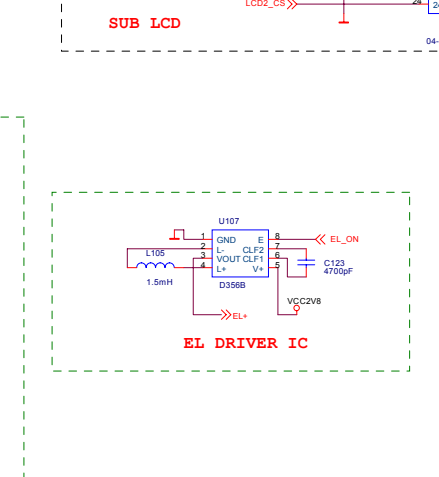
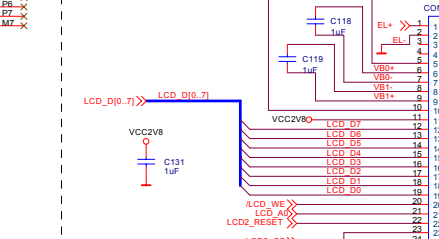
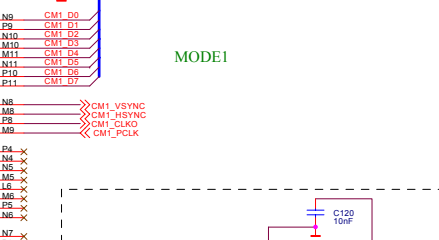
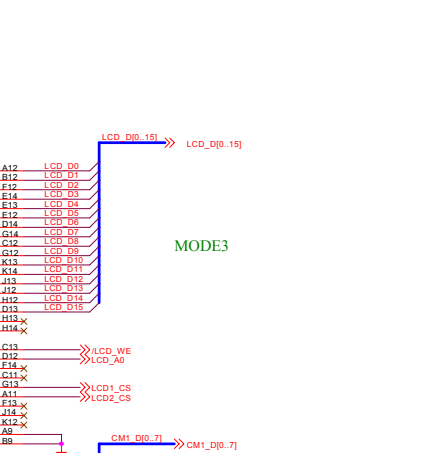
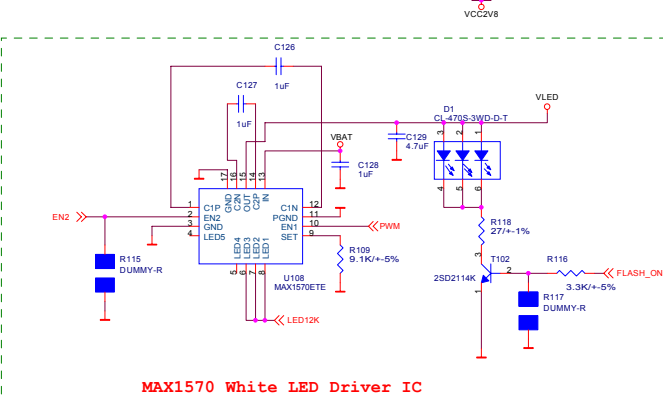
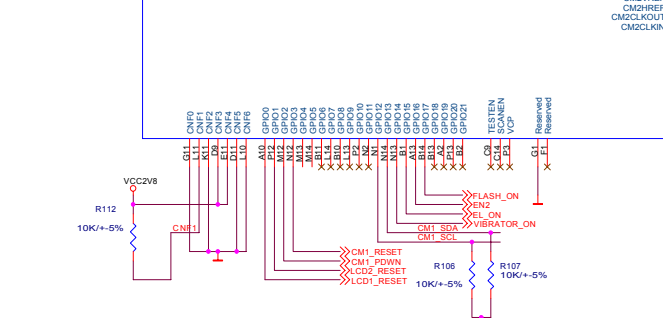
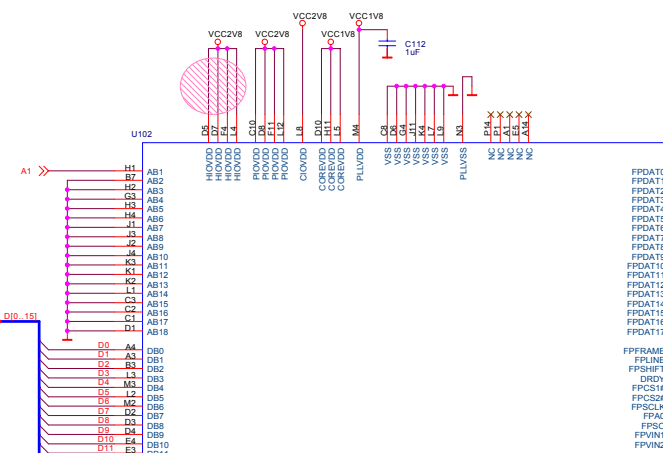
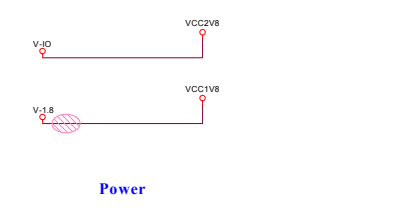
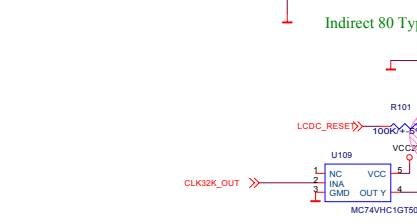
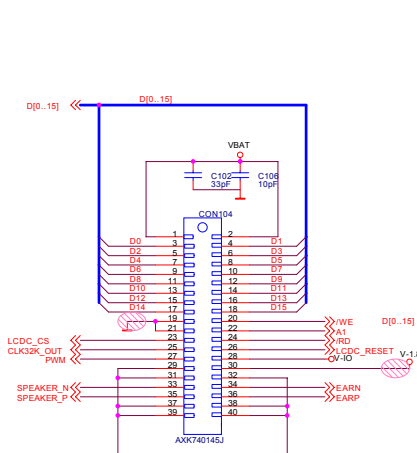


* Add R101, ESD101, ESD102 for ESD

* BHE/BLE connect to GND



File	<Title>	Rev	<Rev>
Size	Document Number		
A2	<Doc>		
Date	日期: 七月 03, 2003	Sheet	1 of 1