

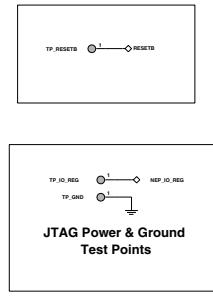
Engineer:		DRAWING NUMBER:		PAGE:		OF:		
DESIGNER:		DATE:		TIME:		SIZE:		
DSC CTRL. CHK:		REV:		DRAWING NUMBER:		PAGE:		
MFG CTRL. CHK:		REV:		DRAWING NUMBER:		PAGE:		
GA CHK:		REV:		DRAWING NUMBER:		PAGE:		
Changed by:		Date:		Time:		Size:		
XiangLi		MAY 16, 2002		4:00 PM		11.041		
12-19-2002		Removed R81, R54DNP, R55DNP						
01-06-2003		Removed R86, R57DNP, R58DNP						
01-07-2003		Added U50, U51, E50, E51						
01-08-2003		Added TP50 & TP51						
01-07-2003		Connected UPB_DOWN						
01-08-2003		Connected EXC_EN						
01-08-2003		R70 from 0662057M72 820 ohms to 0662057M60 270 ohms						
01-13-2003		Added Antenna Switching						
01-16-2003		C3, C4, C6DNP, C7, C8, L5DNP, U1, Q1, Q2, R4, R5, & R6						
01-20-2003		Connected RF_SV_REG Port						
01-21-2003		Updated Q1 to 4809975N04						
01-22-2003		Added C54 39pF						
01-29-2003		Removed TP51						
01-29-2003		Deleted E80 & E81						
01-29-2003		DNP U50 & U51						
02-05-2003		R70 from 270 ohms to 0 ohms						
02-21-2003		Deleted R71						
02-21-2003		Added 10k RES R71DNP						
02-21-2003		Deleted TP50						
02-21-2003		Added SH50 & SH150						
02-21-2003		C162 from 9.1pF to 18pF						
02-21-2003		Updated FL100 to 918668L04						
02-21-2003		Added C160DNP & C170DNP						
02-21-2003		Updated U50 to 510998K64						
02-21-2003		P2A						
02-21-2003		Added U2 P151BTNA03						
02-21-2003		Added 0 ohm RES R7						
02-21-2003		Change Signal UPB_DOWN to EUROB_US						
02-21-2003		Created New UPB_DOWN Signal P3.1						
03-05-2003		Deleted C5, R4, Q1, Q2, CEDNP						
03-11-2003		Updated U1 to P151BTNB24						
03-17-2003		Updated M3 to 3989013L05						
03-17-2003		Added U3 p/n 5109972E11						
03-17-2003		Changed R5 from 10k to 0 ohm						
03-17-2003		Swap NET names on pins 10 & 11 on FL100						
03-18-2003		Updated U3 with p/n P151BTNB25						
03-18-2003		Value Change C162 18pF to 8.2pF						
03-18-2003		Value Change C55 2200pF to 390pF						
03-18-2003		Replaced R71DNP with 100pF CAP						
03-18-2003		Placed U2 and DNP R7						
03-28-2003		U2 from P151BTNA03 to P151BTNB24						
04-03-2003		Added 0 ohm resistors R9 & R10						
04-03-2003		Added C3 33pF CAP						
04-21-2003		P3.1						
04-23-2003		US switch signals to V2 & R2						
04-24-2003		DNP U2 & R7						
04-24-2003		New p/n for C152 & C163						
04-28-2003		Changed U50 to P/N 510998K7						
04-29-2003		Changed U3 to P/N 518535SD8						
05-13-2003		Updated SH50 to P/N PT26BTNA10						
07-29-2003		For all schematic changes made after P3.2, go to <a href="http://compas.mot.com/p3151BTNB24">http://compas.mot.com/p3151BTNB24</a> and download the document called PCB_Change_Request_Tracking.Doc						
08-15-2003		Added C13 & L5						

REV	Date	Time
5.1	Thursday, June 28, 2001	1:46:53 pm

REV	Date	Time	Description
5.1	Thursday, June 28, 2001	1:46:53 pm	Initial Release
5.2	12-19-2001		Added U71, R232, R233, R234, R235, R236, R237, R238, R239, R240, R241, R242, R243, R244, R245, R246, R247, R248, R249, R250, R251, R252, R253, R254, R255, R256, R257, R258, R259, R260, R261, R262, R263, R264, R265, R266, R267, R268, R269, R270, R271, R272, R273, R274, R275, R276, R277, R278, R279, R280, R281, R282, R283, R284, R285, R286, R287, R288, R289, R290, R291, R292, R293, R294, R295, R296, R297, R298, R299, R300, R301, R302, R303, R304, R305, R306, R307, R308, R309, R310, R311, R312, R313, R314, R315, R316, R317, R318, R319, R320, R321, R322, R323, R324, R325, R326, R327, R328, R329, R330, R331, R332, R333, R334, R335, R336, R337, R338, R339, R340, R341, R342, R343, R344, R345, R346, R347, R348, R349, R350, R351, R352, R353, R354, R355, R356, R357, R358, R359, R360, R361, R362, R363, R364, R365, R366, R367, R368, R369, R370, R371, R372, R373, R374, R375, R376, R377, R378, R379, R380, R381, R382, R383, R384, R385, R386, R387, R388, R389, R390, R391, R392, R393, R394, R395, R396, R397, R398, R399, R400, R401, R402, R403, R404, R405, R406, R407, R408, R409, R410, R411, R412, R413, R414, R415, R416, R417, R418, R419, R420, R421, R422, R423, R424, R425, R426, R427, R428, R429, R430, R431, R432, R433, R434, R435, R436, R437, R438, R439, R440, R441, R442, R443, R444, R445, R446, R447, R448, R449, R450, R451, R452, R453, R454, R455, R456, R457, R458, R459, R460, R461, R462, R463, R464, R465, R466, R467, R468, R469, R470, R471, R472, R473, R474, R475, R476, R477, R478, R479, R480, R481, R482, R483, R484, R485, R486, R487, R488, R489, R490, R491, R492, R493, R494, R495, R496, R497, R498, R499, R500, R501, R502, R503, R504, R505, R506, R507, R508, R509, R510, R511, R512, R513, R514, R515, R516, R517, R518, R519, R520, R521, R522, R523, R524, R525, R526, R527, R528, R529, R530, R531, R532, R533, R534, R535, R536, R537, R538, R539, R540, R541, R542, R543, R544, R545, R546, R547, R548, R549, R550, R551, R552, R553, R554, R555, R556, R557, R558, R559, R560, R561, R562, R563, R564, R565, R566, R567, R568, R569, R570, R571, R572, R573, R574, R575, R576, R577, R578, R579, R580, R581, R582, R583, R584, R585, R586, R587, R588, R589, R590, R591, R592, R593, R594, R595, R596, R597, R598, R599, R600, R601, R602, R603, R604, R605, R606, R607, R608, R609, R610, R611, R612, R613, R614, R615, R616, R617, R618, R619, R620, R621, R622, R623, R624, R625, R626, R627, R628, R629, R630, R631, R632, R633, R634, R635, R636, R637, R638, R639, R640, R641, R642, R643, R644, R645, R646, R647, R648, R649, R650, R651, R652, R653, R654, R655, R656, R657, R658, R659, R660, R661, R662, R663, R664, R665, R666, R667, R668, R669, R670, R671, R672, R673, R674, R675, R676, R677, R678, R679, R680, R681, R682, R683, R684, R685, R686, R687, R688, R689, R690, R691, R692, R693, R694, R695, R696, R697, R698, R699, R700, R701, R702, R703, R704, R705, R706, R707, R708, R709, R710, R711, R712, R713, R714, R715, R716, R717, R718, R719, R720, R721, R722, R723, R724, R725, R726, R727, R728, R729, R730, R731, R732, R733, R734, R735, R736, R737, R738, R739, R740, R741, R742, R743, R744, R745, R746, R747, R748, R749, R750, R751, R752, R753, R754, R755, R756, R757, R758, R759, R760, R761, R762, R763, R764, R765, R766, R767, R768, R769, R770, R771, R772, R773, R774, R775, R776, R777, R778, R779, R780, R781, R782, R783, R784, R785, R786, R787, R788, R789, R790, R791, R792, R793, R794, R795, R796, R797, R798, R799, R800, R801, R802, R803, R804, R805, R806, R807, R808, R809, R810, R811, R812, R813, R814, R815, R816, R817, R818, R819, R820, R821, R822, R823, R824, R825, R826, R827, R828, R829, R830, R831, R832, R833, R834, R835, R836, R837, R838, R839, R840, R841, R842, R843, R844, R845, R846, R847, R848, R849, R850, R851, R852, R853, R854, R855, R856, R857, R858, R859, R860, R861, R862, R863, R864, R865, R866, R867, R868, R869, R870, R871, R872, R873, R874, R875, R876, R877, R878, R879, R880, R881, R882, R883, R884, R885, R886, R887, R888, R889, R890, R891, R892, R893, R894, R895, R896, R897, R898, R899, R900, R901, R902, R903, R904, R905, R906, R907, R908, R909, R910, R911, R912, R913, R914, R915, R916, R917, R918, R919, R920, R921, R922, R923, R924, R925, R926, R927, R928, R929, R930, R931, R932, R933, R934, R935, R936, R937, R938, R939, R940, R941, R942, R943, R944, R945, R946, R947, R948, R949, R950, R951, R952, R953, R954, R955, R956, R957, R958, R959, R960, R961, R962, R963, R964, R965, R966, R967, R968, R969, R970, R971, R972, R973, R974, R975, R976, R977, R978, R979, R980, R981, R982, R983, R984, R985, R986, R987, R988, R989, R990, R991, R992, R993, R994, R995, R996, R997, R998, R999, R1000

Remove the MOD Test point and resistor R805 on the final production board.  
Need to add Jumper to Wing board.



GPIO USAGE

GPIO0 = TOUTS  
GPIO1 = TOUTS  
GPIO2 = TOUTS

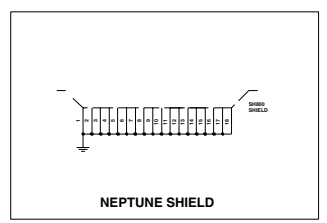
**Neptune LTS**  
264 pin 0.65mm pitch  
U800

TEMPORARY HIERARCHICAL BLOCK UNTIL THE NEPTUNE LTS 264-PIN PART IS FIXED

LOW\_BATT\_B is floating

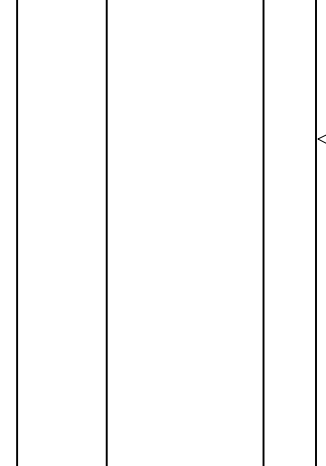
Only place R810, R811 and C818 if there is an issue in keeping the CODEC and ADC powered.  
Route JVDD carefully

STANDBY 1.5V



CS2B is floating

CE 2



REV	Date	Time	Description
5.1	Thursday, June 28, 2001	1:46:53 pm	Initial Release
5.2	12-19-2001		Added U71, R232, R233, R234, R235, R236, R237, R238, R239, R240, R241, R242, R243, R244, R245, R246, R247, R248, R249, R250, R251, R252, R253, R254, R255, R256, R257, R258, R259, R260, R261, R262, R263, R264, R265, R266, R267, R268, R269, R270, R271, R272, R273, R274, R275, R276, R277, R278, R279, R280, R281, R282, R283, R284, R285, R286, R287, R288, R289, R290, R291, R292, R293, R294, R295, R296, R297, R298, R299, R300, R301, R302, R303, R304, R305, R306, R307, R308, R309, R310, R311, R312, R313, R314, R315, R316, R317, R318, R319, R320, R321, R322, R323, R324, R325, R326, R327, R328, R329, R330, R331, R332, R333, R334, R335, R336, R337, R338, R339, R340, R341, R342, R343, R344, R345, R346, R347, R348, R349, R350, R351, R352, R353, R354, R355, R356, R357, R358, R359, R360, R361, R362, R363, R364, R365, R366, R367, R368, R369, R370, R371, R372, R373, R374, R375, R376, R377, R378, R379, R380, R381, R382, R383, R384, R385, R386, R387, R388, R389, R390, R391, R392, R393, R394, R395, R396, R397, R398, R399, R400, R401, R402, R403, R404, R405, R406, R407, R408, R409, R410, R411, R412, R413, R414, R415, R416, R417, R418, R419, R420, R421, R422, R423, R424, R425, R426, R427, R428, R429, R430, R431, R432, R433, R434, R435, R436, R437, R438, R439, R440, R441, R442, R443, R444, R445, R446, R447, R448, R449, R450, R451, R452, R453, R454, R455, R456, R457, R458, R459, R460, R461, R462, R463, R464, R465, R466, R467, R468, R469, R470, R471, R472, R473, R474, R475, R476, R477, R478, R479, R480, R481, R482, R483, R484, R485, R486, R487, R488, R489, R490, R491, R492, R493, R494, R495, R496, R497, R498, R499, R500, R501, R502, R503, R504, R505, R506, R507, R508, R509, R510, R511, R512, R513, R514, R515, R516, R517, R518, R519, R520, R521, R522, R523, R524, R525, R526, R527, R528, R529, R530, R531, R532, R533, R534, R535, R536, R537, R538, R539, R540, R541, R542, R543, R544, R545, R546, R547, R548, R549, R550, R551, R552, R553, R554, R555, R556, R557, R558, R559, R560, R561, R562, R563, R564, R565, R566, R567, R568, R569, R570, R571, R572, R573, R574, R575, R576, R577, R578, R579, R580, R581, R582, R583, R584, R585, R586, R587, R588, R589, R590, R591, R592, R593, R594, R595, R596, R597, R598, R599, R600, R601, R602, R603, R604, R605, R606, R607, R608, R609, R610, R611, R612, R613, R614, R615, R616, R617, R618, R619, R620, R621, R622, R623, R624, R625, R626, R627, R628, R629, R630, R631, R632, R633, R634, R635, R636, R637, R638, R639, R640, R641, R642, R643, R644, R645, R646, R647, R648, R649, R650, R651, R652, R653, R654, R655, R656, R657, R658, R659, R660, R661, R662, R663, R664, R665, R666, R667, R668, R669, R670, R671, R672, R673, R674, R675, R676, R677, R678, R679, R680, R681, R682, R683, R684, R685, R686, R687, R688, R689, R690, R691, R692, R693, R694, R695, R696, R697, R698, R699, R700, R701, R702, R703, R704, R705, R706, R707, R708, R709, R710, R711, R712, R713, R714, R715, R716, R717, R718, R719, R720, R721, R722, R723, R724, R725, R726, R727, R728, R729, R730, R731, R732, R733, R734, R735, R736, R737, R738, R739, R740, R741, R742, R743, R744, R745, R746, R747, R748, R749, R750, R751, R752, R753, R754, R755, R756, R757, R758, R759, R760, R761, R762, R763, R764, R765, R766, R767, R768, R769, R770, R771, R772, R773, R774, R775, R776, R777, R778, R779, R780, R781, R782, R783, R784, R785, R786, R787, R788, R789, R790, R791, R792, R793, R794, R795, R796, R797, R798, R799, R800, R801, R802, R803, R804, R805, R806, R807, R808, R809, R810, R811, R812, R813, R814, R815, R816, R817, R818, R819, R820, R821, R822, R823, R824, R825, R826, R827, R828, R829, R830, R831, R832, R833, R834, R835, R836, R837, R838, R839, R840, R841, R842, R843, R844, R845, R846, R847, R848, R849, R850, R851, R852, R853, R854, R855, R856, R857, R858, R859, R860, R861, R862, R863, R864, R865, R866, R867, R868, R869, R870, R871, R872, R873, R874, R875, R876, R877, R878, R879, R880, R881, R882, R883, R884, R885, R886, R887, R888, R889, R890, R891, R892, R893, R894, R895, R896, R897, R898, R899, R900, R901, R902, R903, R904, R905, R906, R907, R908, R909, R910, R911, R912, R913, R914, R915, R916, R917, R918, R919, R920, R921, R922, R923, R924, R925, R926, R927, R928, R929, R930, R931, R932, R933, R934, R935, R936, R937, R938, R939, R940, R941, R942, R943, R944, R945, R946, R947, R948, R949, R950, R951, R952, R953, R954, R955, R956, R957, R958, R959, R960, R961, R962, R963, R964, R965, R966, R967, R968, R969, R970, R971, R972, R973, R974, R975, R976, R977, R978, R979, R980, R981, R982, R983, R984, R985, R986, R987, R988, R989, R990, R991, R992, R993, R994, R995, R996, R997, R998, R999, R1000

8 7 6 5 4 3 2 1

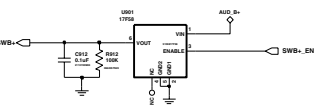
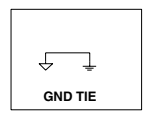
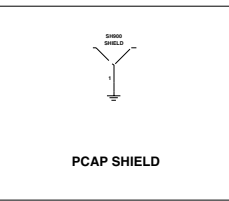
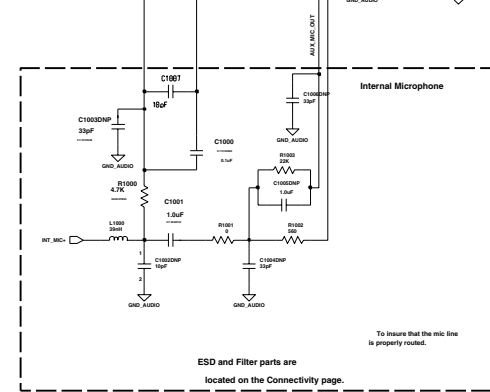
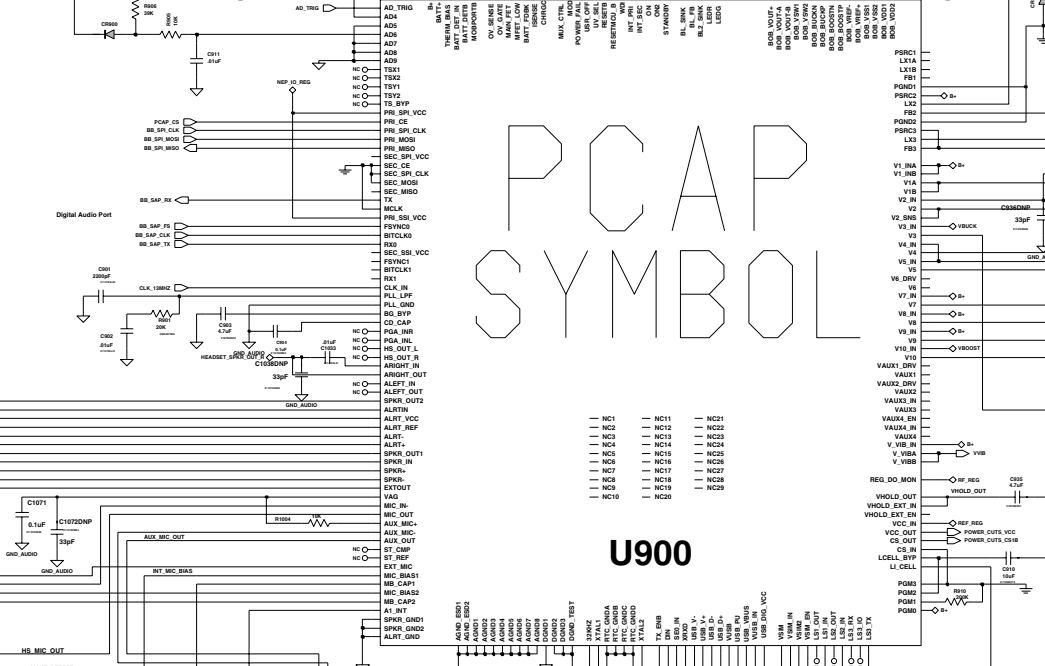
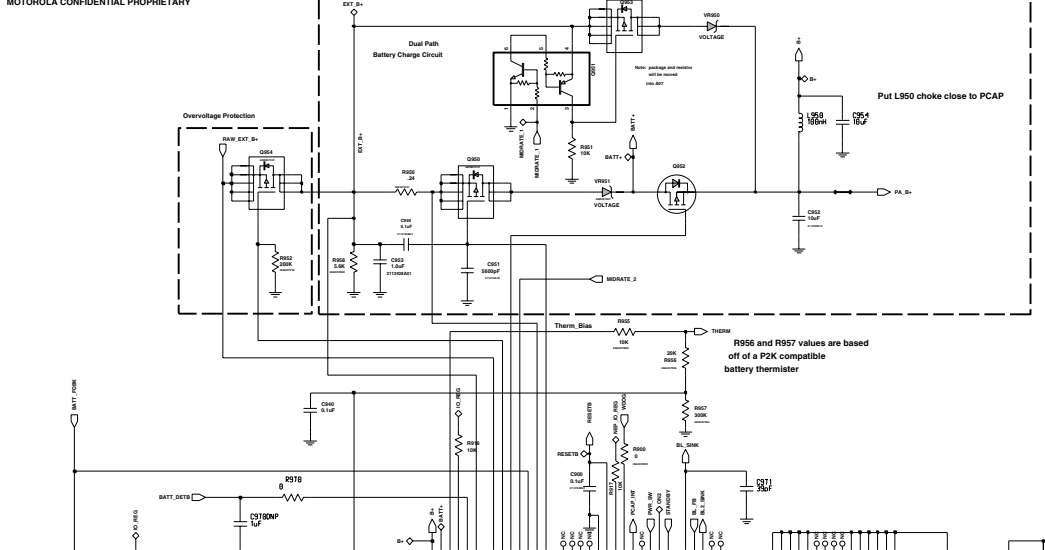
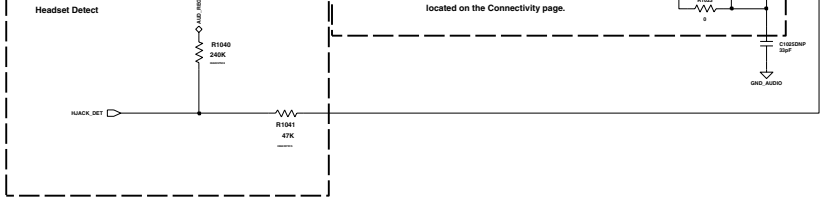
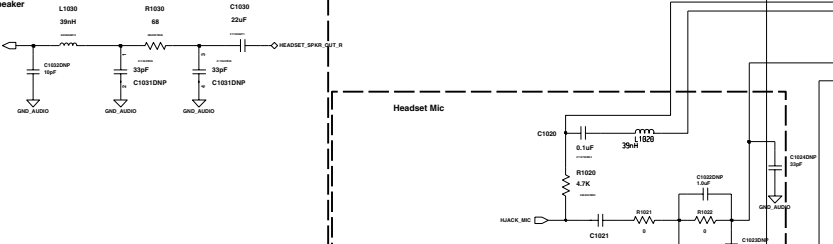
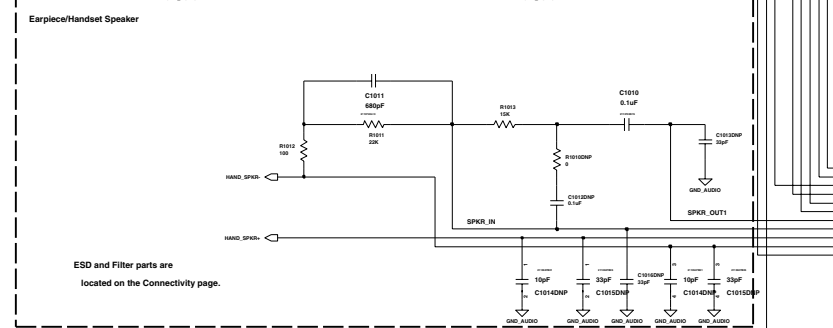
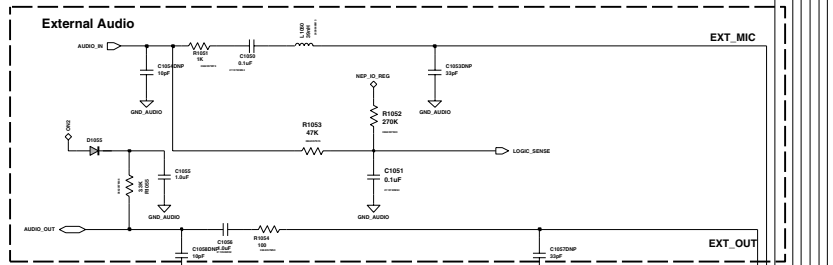
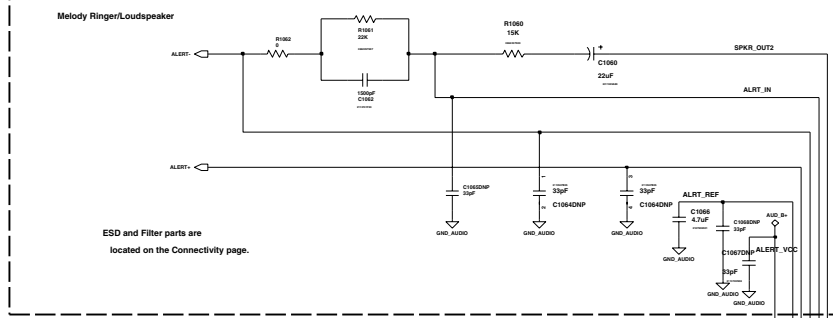
MOTOROLA CONFIDENTIAL PROPRIETARY

Engineer:	RD	Motorola Inc
Drawn By:	RD	
Doc Reference:	RD	
RD CHK:	RD	
DOC CTRL CHK:	RD	
MFG CTRL CHK:	RD	
QA CHK:	RD	
Changed By:	RD	
Date:	Thursday, June 25, 2002	
Time:	1:46:03 pm	

REV:	1.0	Page:	1	Of:	1
<b>REV CHANGES:</b>					
01-15-02	PS Changes	Changed C1050 from 4.7uF to 22uF Removed U9474 0 when from Audio out Removed C1061 10uF from Alert			
01-21-03	Added U905				
01-22-03	Added R910				
01-22-03	Added S900				
01-29-03	Updated R910 from 0 ohm to 150K ohms				
02-05-03	Place R909 in series with WDOG				
02-21-03	Added R916 10k Pull Up to IO_REG				
02-21-03	Added R917 10k Pull Up to IO_REG				
02-21-03	Cap R922				
02-24-03	Updated R910 from 150K to 200K ohms				
02-24-03	PS1				
02-24-03	Place R922 (V4 & V5 connected to B+)				
02-24-03	Remove C1050 from C1050M1 to C1050M2				
02-24-03	Added C940 1uF CAP to AD4				
02-24-03	Replace C954, C955, & C956 with 200nF 50VDC				
02-24-03	Added placeholder pin 48B20370 for dual AN52 GATE1507 (pin C955)				
02-24-03	Added TP to WDOG (TP: WDOG)				
02-28-03	Replace placeholder for Dual AN52 Gate Control part pin P11317 with Gate Control part pin P11317				
02-28-03	Change R917 10k Pull Up to 10k				
02-28-03	Change C955 and from VBUCK to AUD_REG				
04-03-03	DNP AUDIO 10uF filter CAPS				
04-23-03	PS2				
04-23-03	Changed C954 & C955 to VREG50 0.1uF 50VDC for 48B20370				
04-23-03	Change VCC1 IN to REF_REG				
04-23-03	Added C954, R924, & C926 between IO_REG & V4				
04-23-03	Changed VREG50 & VREG1 from 48B20370 to 48B20370				
04-23-03	Changed R1055 from 1K ohms to 0.1K ohms				
05-16-03	Added RV_20 part of timing				
06-27-03	Changed C1050 to pin 21132B211				
07-29-03	For all schematic changes made after PS1.2, go to <a href="http://compas.mot.com/cgi-bin/ps12/ps12.htm">http://compas.mot.com/cgi-bin/ps12/ps12.htm</a> and <a href="http://www.mot.com">www.mot.com</a> for the latest updates and modifications to this document under PS1 Change Request Tracking Doc				
08-14-03	Deleted C1067 22uF from ALERT_VCC				
08-15-03	Added C1067 22uF from ALERT_VCC				

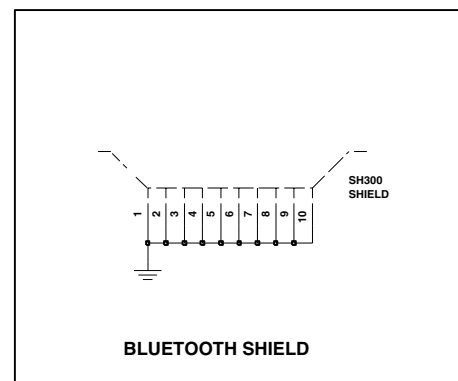
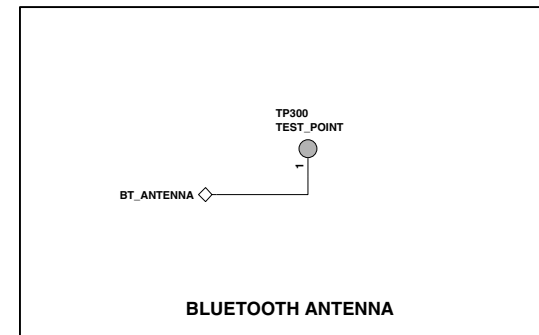
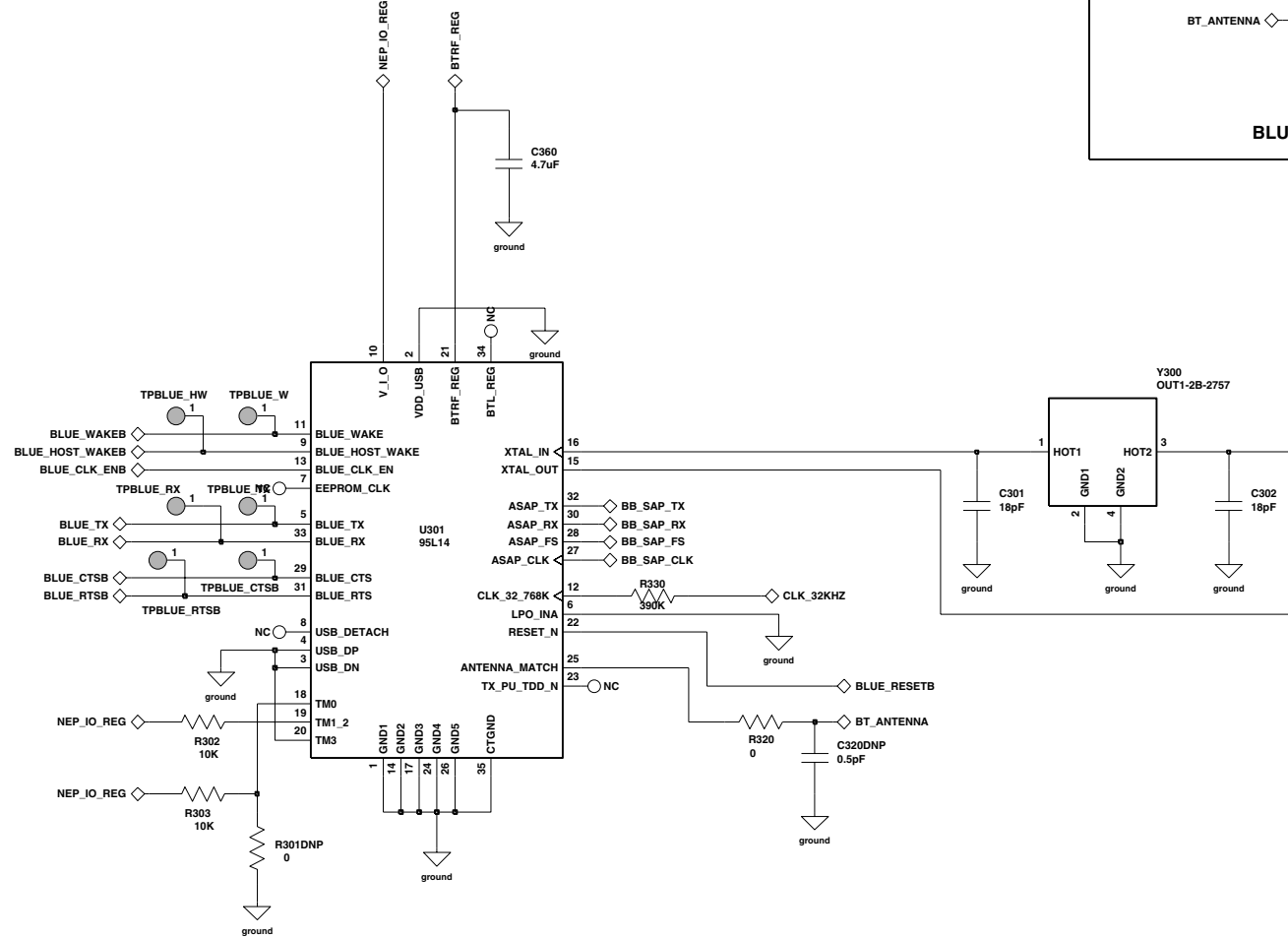
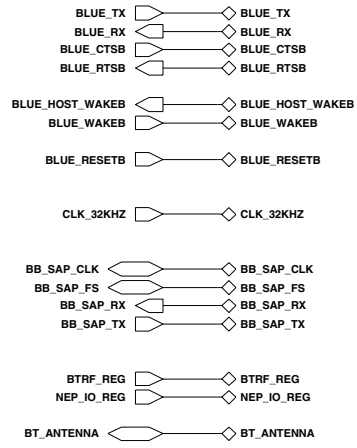
D  
C  
B  
A

D  
C  
B  
A



8 7 6 5 4 3 2 1

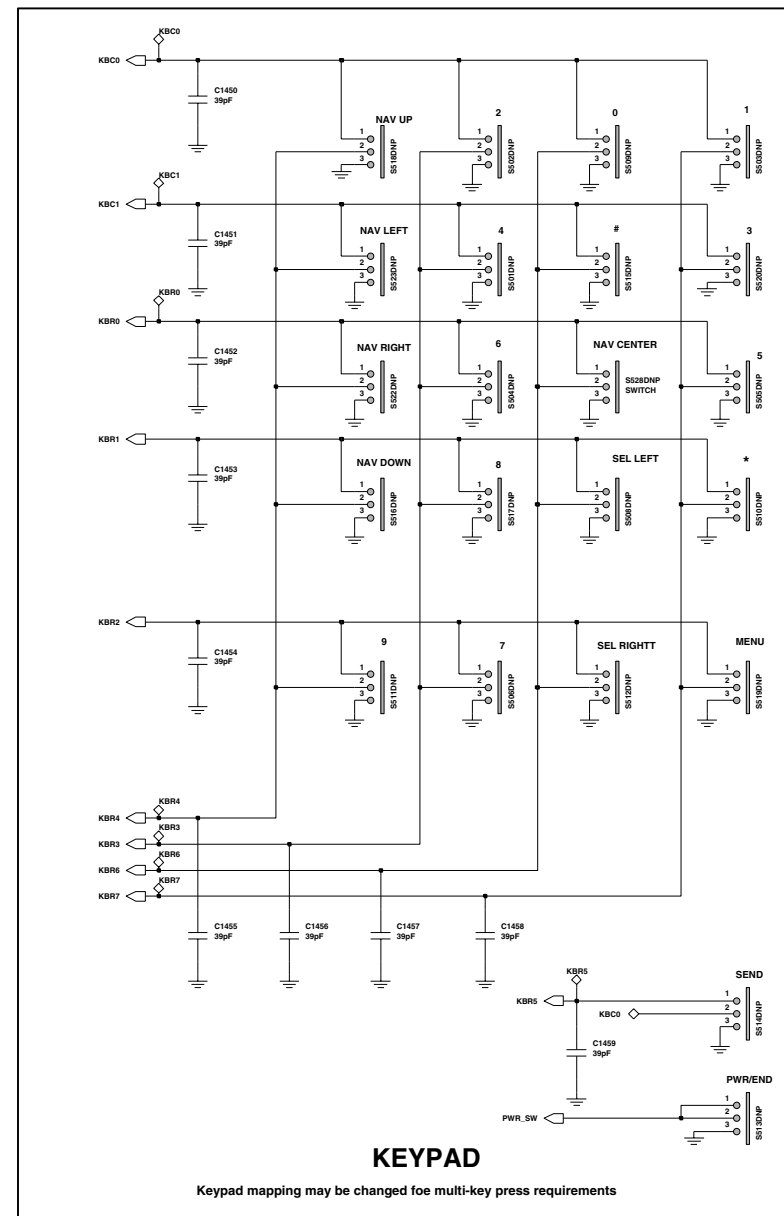
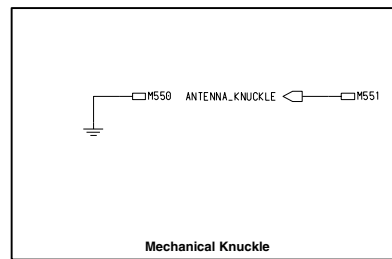
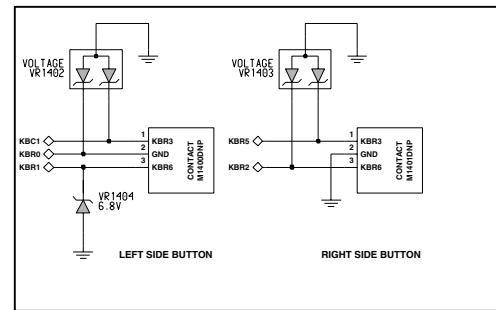
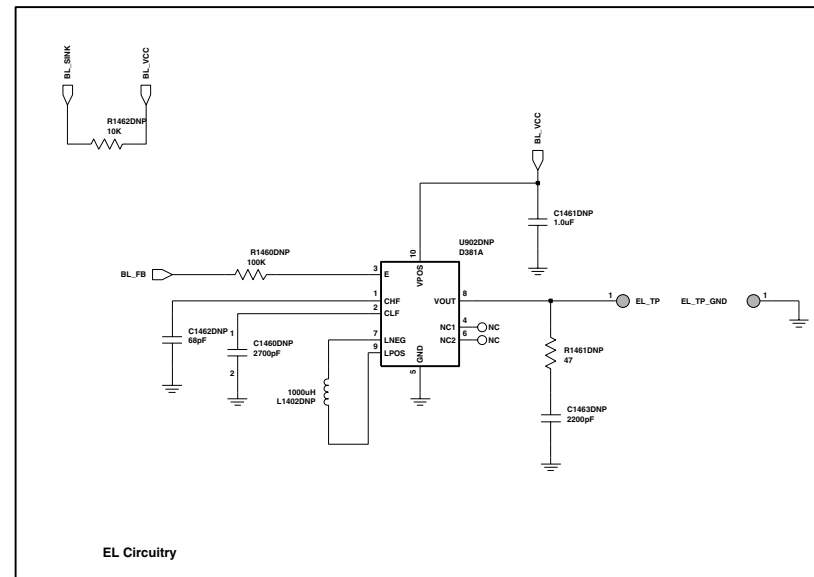
MOTOROLA CONFIDENTIAL PROPRIETARY



Supply Name	VDC
BTRF_REG	1.8
NEP_IO_REG	2.75

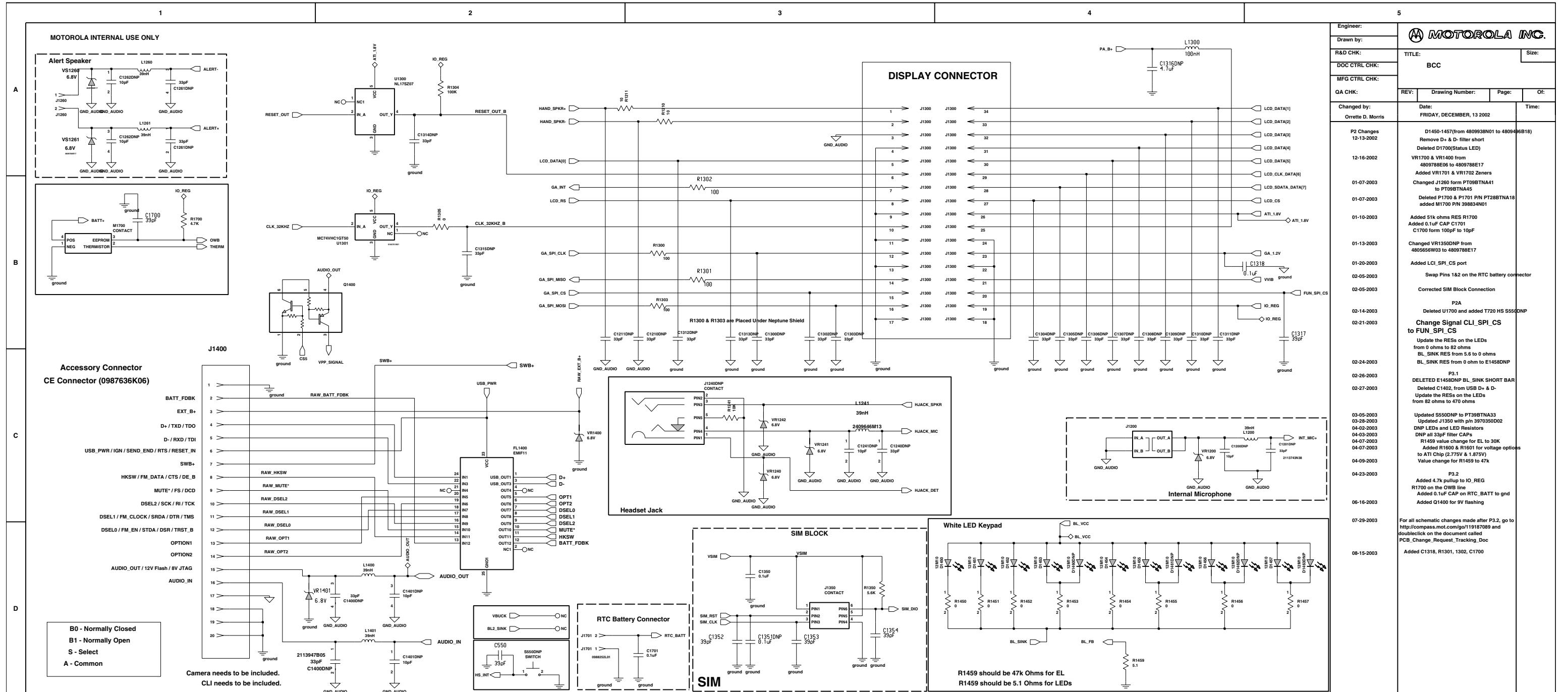
Engineer:	MOTOROLA INC.		
Drawn by:			
R&D CHK:	TITLE:	Size:	
DOC CTRL CHK:	BCC_P2_Bluetooth		
MFG CTRL CHK:	REV:	Drawing Number:	Page:
QA CHK:	Date:	02-26-2003	Of:
Changed by:	Time:		
R. S. Nelson 11-22-2002	Initial module schematic		
P2 Changes 12-13-2002	Disconnect ground node from BT_ANTENNA signal & TP300		
01-08-2003	C306 Value change from 10pF to .01uF Added R351, R352, R354DNP, C350, & L350 Added TP32KHZ, TPBLUE_W, & TPBLUE_HW REF DES change R350 to R300 REF DES change R351 to R301 Removed E300 & E301 Connected TRK_CLK Port		
01-29-2003	Deleted TPCLK_32KHZ P2A		
02-21-2003	Change C350 from 0.01uF to 33pF Change C306 from 0.01uF to 33nF DNP L350		
02-26-2003	P3.1 Change Net names BLUE_RTS* to BLUE_RTSTB BLUE_CTS* to BLUE_CTSB BLUE_HOST_WAKE* to BLUE_HOST_WAKEB BLUE_WAKE* to BLUE_WAKEB BLUE_RESET* to BLUE_RESETB Deleted Ports BLUE_CLK_EN* VBUCK TRK_CLK		
	Added BT 26MHZ Crystal and 2 CAPs Added TPBLUE_RTSTB & TPBLUE_CTSB Removed R362, R361, C306, R352 R351, R350, C350, R354DNP, R310 R303DNP, R300, E302-E305 Changed R301 from 8.2K to 10K Added R303DNP 10K Pull Up to IO_REG		
03-05-2003	Removed C361 from BTL_REG		
03-28-2003	Added R330 200k Ohms Change RESET_OUT to RESETB on Top level Deleted TP301 & TP302		
04-02-2003	Updated R330 from 200K to 390K		
04-28-2003	P3.2 Changed C301 & C302 from 43pF to 18pF		
07-29-2003	For all schematic changes made after P3.2, go to <a href="http://compass.mot.com/go/119187089">http://compass.mot.com/go/119187089</a> and doubleclick on the document called PCB_Change_Request_Tracking_Doc		

MOTOROLA INTERNAL USE ONLY



Keypad mapping may be changed for multi-key press requirements

Engineer:	MOTOROLA INC.		
Drawn by:	TITLE: BCC Size:		
R&D CHK:	DOC CTRL CHK:		
MFG CTRL CHK:	REV: Drawing Number: Page: Of:		
QA CHK:	Date: FRIDAY, NOVEMBER, 22 2002 Time:		
Changed by: Orretta D. Morris	Date: FRIDAY, NOVEMBER, 22 2002 Time:		
01-08-2003	Deleted TPs for Side Buttons Added M1400 & M1401		
02-14-2003	P2A Added M550 & M551		
02-26-2003	P3.1 Deleted M1401 (Side button)		
03-06-2003	Keypad GPIO Changes added KBR5		
03-10-2003	Update Keypad to 5mm pin PT39BTNA26		
03-18-2003	Added EL Panel Circuit		
03-18-2003	Added R1465, C1465DNP & TP(EL_TP_B)		
04-02-2003	Deleted R1465, C1465DNP & TP(EL_TP_B)		
04-03-2003	Deleted C1464		
04-03-2003	Placed R1462 and R1460		
04-07-2003	DNP M1400 & M1401 C1463 value change to 2000pF 0805 package Deleted inverter from EL R1460 value change to 100k R1462 value change to 27k Value Change L1462 to 1000uH Updated Knuckles with new pin PT39BTNA38		
04-07-2003	Value change R1462 to 10k C1461 to common pin 2113928A01		
04-23-2003	Change C1463 to pin 2113741S29 Change U902 to pin PT51BTNB35		
07-29-2003	For all schematic changes made after P3.2, go to <a href="http://compass.mot.com/tpo/119187089">http://compass.mot.com/tpo/119187089</a> and doubleclick on the document called PCB_Change_Request_Tracking_Doc		



Engineer:	MOTOROLA INC.		
Drawn by:	TITLE: BCC Size:		
R&D CHK:	DOC CTRL CHK:		
MFG CTRL CHK:	REV: Drawing Number: Page: Of:		
QA CHK:	Date: FRIDAY, DECEMBER, 13 2002 Time:		
Changed by:	Orretta D. Morris		
P2 Changes 12-13-2002	D1450-1457 (from 4809938N01 to 480946B18) Remove D+ & D- filter short Deleted D1700 (Status LED) VR1700 & VR1400 from 4809788E06 to 4809788E17 Added VR1701 & VR1702 Zeners		
12-16-2002	Changed J1260 form PT09BTNA41 to PT09BTNA45		
01-07-2003	Deleted P1700 & P1701 P/N PT28BTNA18 added M1700 P/N 398834N01		
01-07-2003	Added 51k ohms RES R1700 Added 0.1uF CAP C1701 C1700 form 100pF to 10pF		
01-10-2003	Changed VR1350DNP from 480565W03 to 4809788E17		
01-13-2003	Added LCI_SPI_CS port		
01-20-2003	Swap Pins 1&2 on the RTC battery connector		
02-05-2003	Corrected SIM Block Connection		
02-14-2003	P2A Deleted U1700 and added T720 HS S550DNP		
02-21-2003	Change Signal CLI_SPI_CS to FUN_SPI_CS Update the RESs on the LEDs BL_SINK RES from 5.6 to 0 ohms BL_SINK RES from 0 ohm to E1458DNP		
02-24-2003	P3.1 DELETED E1458DNP BL_SINK SHORT BAR		
02-26-2003	Deleted C1402, from USB D+ & D- Update the RESs on the LEDs from 82 ohms to 470 ohms		
02-27-2003	Updated S550DNP to PT39BTNA53 Updated J1350 with pin 3370350D02		
03-05-2003	DNP LEDs and LED Resistors		
03-28-2003	DNP all 33pF filter CAPs		
04-02-2003	R1459 value change for EL to 30k		
04-03-2003	Added R1600 & R1601 for voltage options to AT1 Chip (2.775V & 1.875V)		
04-07-2003	Value change for R1459 to 47k		
04-09-2003	P3.2 Added 4.7k pullup to IO_REG R1700 on the OVB line Added 0.1uF CAP on RTC_BATT to gnd Added Q1400 for 9V flashing		
04-23-2003	For all schematic changes made after P3.2, go to <a href="http://compass.mot.com/go/119187089">http://compass.mot.com/go/119187089</a> and doubleclick on the document called PCB_Change_Request_Tracking_Doc		
06-16-2003	Added C1318, R1301, 1302, C1700		
07-29-2003			
08-15-2003			