

Switch Mode	Vctrl_1	Vctrl_2	Vctrl_3
GSM850 Rx	0	1	0
GSM900 Rx	0	0	1
GSM1800 Rx	0	0	0
GSM1900 Rx	0	1	1
GSM850/900 Tx	1	0	1/0
GSM1800/1900 Tx	1	1	1/0

RX MID CHANNELS  
 850: CH190 -- 881,6  
 GSM: CH 62 -- 947,4 MHz  
 EGSM: CH 37 -- 942,4MHz  
 DCS: CH 700 -- 1842,8MHz  
 PCS: CH 661 -- 1960MHz

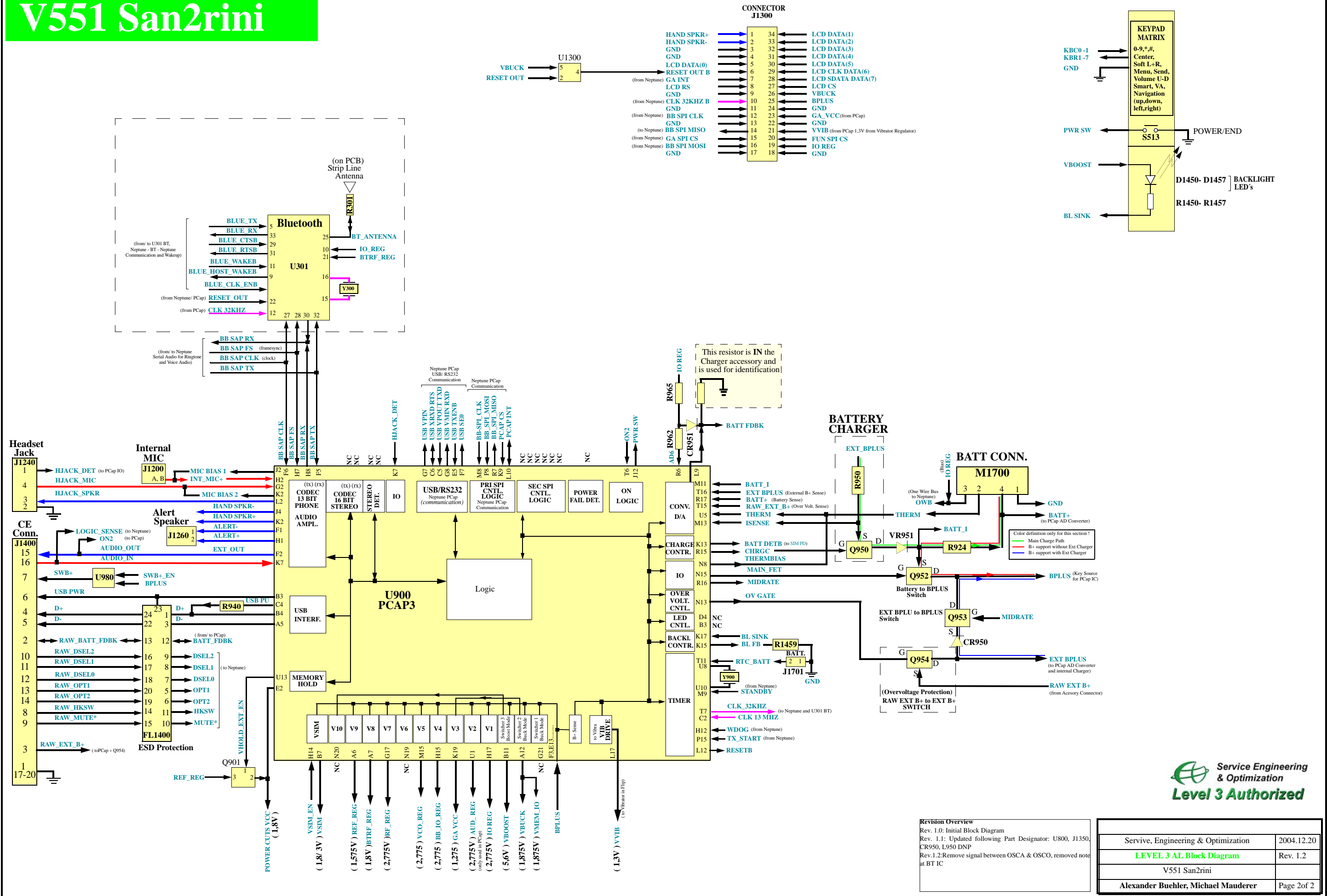
# V551 San2rini

**Revision Overview**  
 Rev. 1.0: Initial Block Diagram  
 Rev. 1.1: Updated following Part Designator: U800, J1350, CR950, L950 DNP  
 Rev. 1.2: Remove signal between OSCA & OSCO, removed note at BT IC

**Service Engineering & Optimization**  
**Level 3 Authorized**

Service, Engineering & Optimization	2004.12.20
LEVEL 3 AL Block Diagram	Rev. 1.2
V551 San2rini	
Alexander Buehler, Michael Mauderer	Page 1 of 2

# V551 San2rini



Service Engineering & Optimization  
Level 3 Authorized

**Revision Overview**  
 Rev. 1.0: Initial Block Diagram  
 Rev. 1.1: Updated following Part Designator: U800, J1350, CR950, L950 DNP  
 Rev. 1.2: Remove signal between OSCA & OSCO, removed note at BT IC

Servive, Engineering & Optimization	2004.12.20
<b>LEVEL 3 AL Block Diagram</b>	Rev. 1.2
V551 San2rini	
Alexander Buehler, Michael Mauderer	Page 2of 2