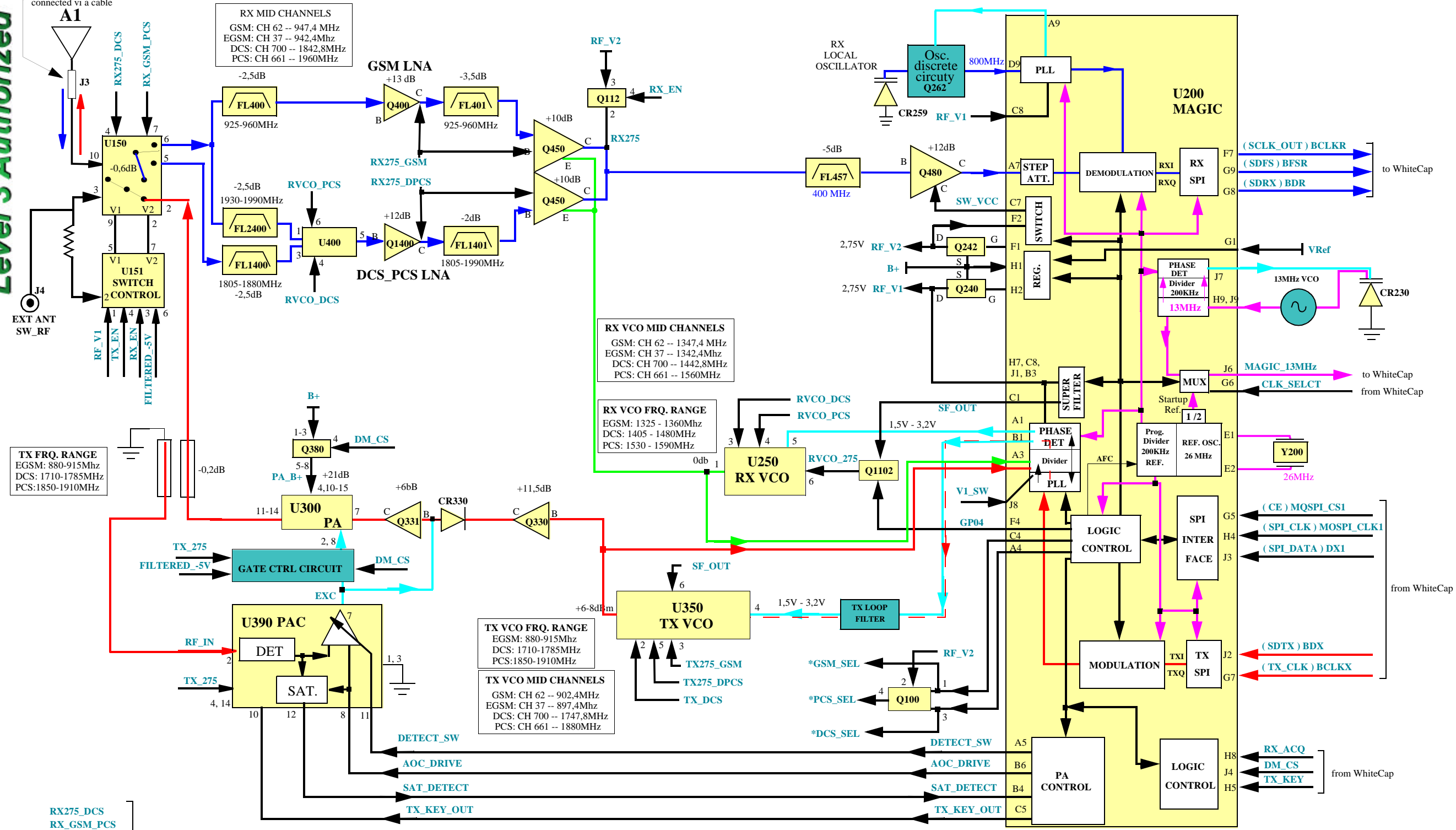


GSM Service Support Level 3 Authorized

Dual Band Camelot

Antenna placed on separate board connected via a cable



TX FRQ. RANGE
 EGSM: 880-915MHz
 DCS: 1710-1785MHz
 PCS: 1850-1910MHz

RX MID CHANNELS
 GSM: CH 62 -- 947,4 MHz
 EGSM: CH 37 -- 942,4MHz
 DCS: CH 700 -- 1842,8MHz
 PCS: CH 661 -- 1960MHz

RX VCO MID CHANNELS
 GSM: CH 62 -- 1347,4 MHz
 EGSM: CH 37 -- 1342,4MHz
 DCS: CH 700 -- 1442,8MHz
 PCS: CH 661 -- 1560MHz

RX VCO FRQ. RANGE
 EGSM: 1325 - 1360MHz
 DCS: 1405 - 1480MHz
 PCS: 1530 - 1590MHz

TX VCO FRQ. RANGE
 EGSM: 880-915MHz
 DCS: 1710-1785MHz
 PCS: 1850-1910MHz

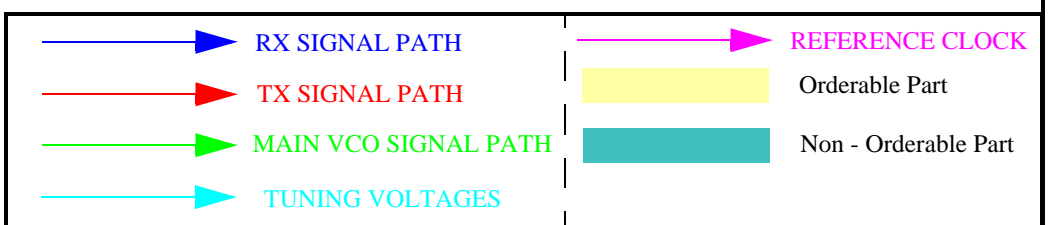
TX VCO MID CHANNELS
 GSM: CH 62 -- 902,4MHz
 EGSM: CH 37 -- 897,4MHz
 DCS: CH 700 -- 1747,8MHz
 PCS: CH 661 -- 1880MHz

RX275_DCS
 RX_GSM_PCS
 RVCO_PCS
 RVCO_DCS
 RX275_GSM
 RX275_DPCS
 TX_275
 TX275_GSM
 TX275_DPCS
 TX_DCS
 FILTERED_-5V

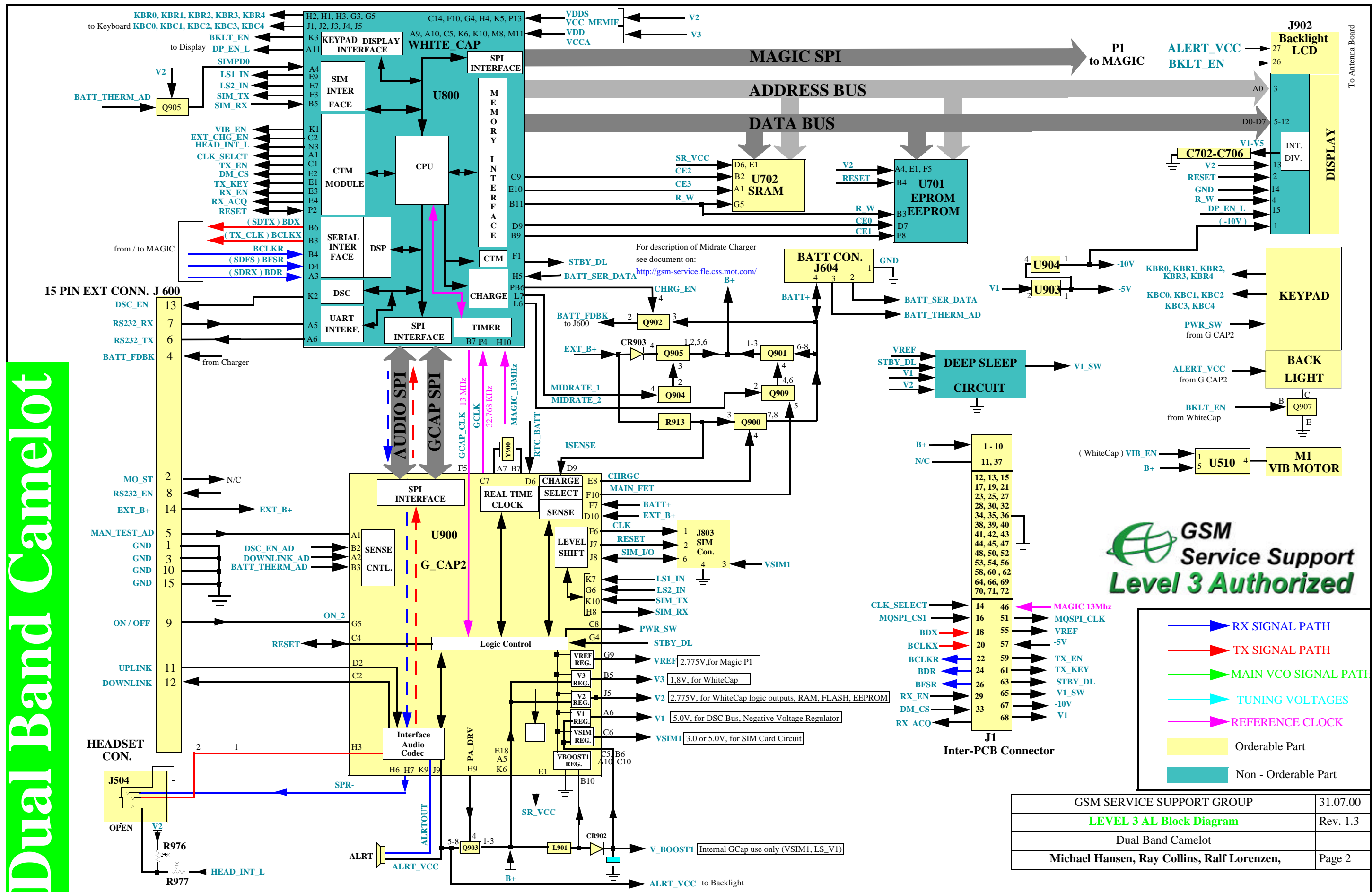
GSM / DPCS SELECT CIRCUIT

For description of GSM / DPCS Select Circuit see document on: <http://gsm-service.file.css.mot.com/>

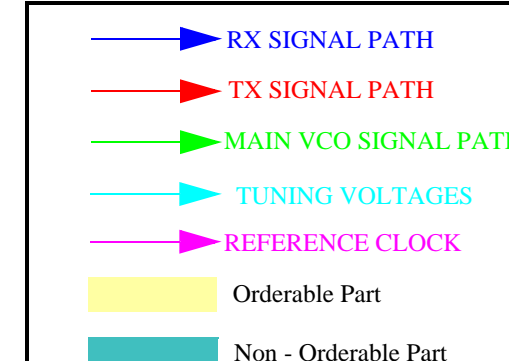
GSM SERVICE SUPPORT GROUP	31.07.00
LEVEL 3 RF Block Diagram	Rev. 1.3
Dual Band Camelot	
Michael Hansen, Ray Collins, Ralf Lorenzen,	Page 1



Dual Band Camelot



GSM Service Support Level 3 Authorized



GSM SERVICE SUPPORT GROUP	31.07.00
LEVEL 3 AL Block Diagram	Rev. 1.3
Dual Band Camelot	
Michael Hansen, Ray Collins, Ralf Lorenzen,	Page 2