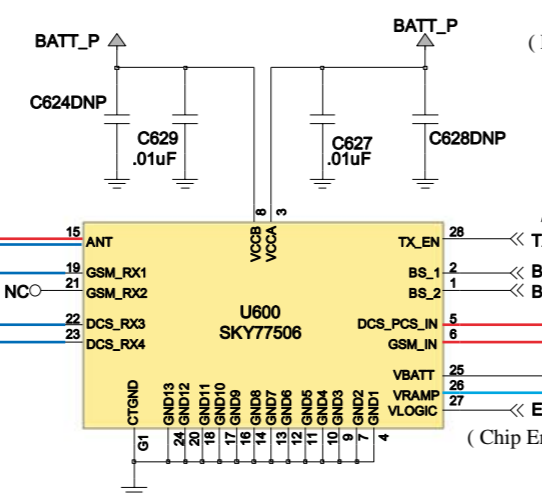
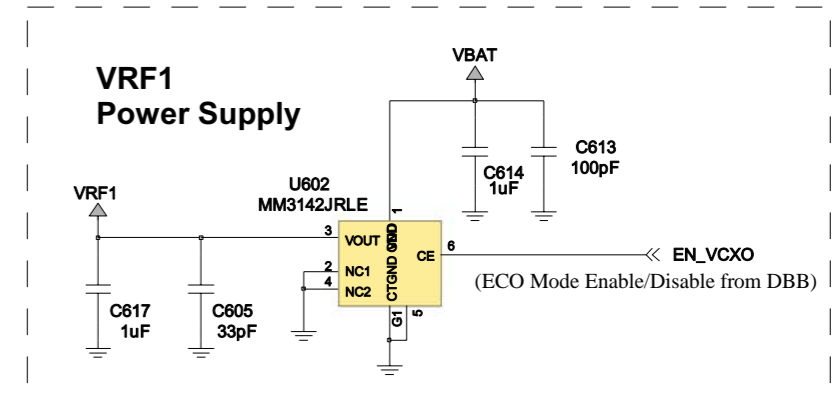
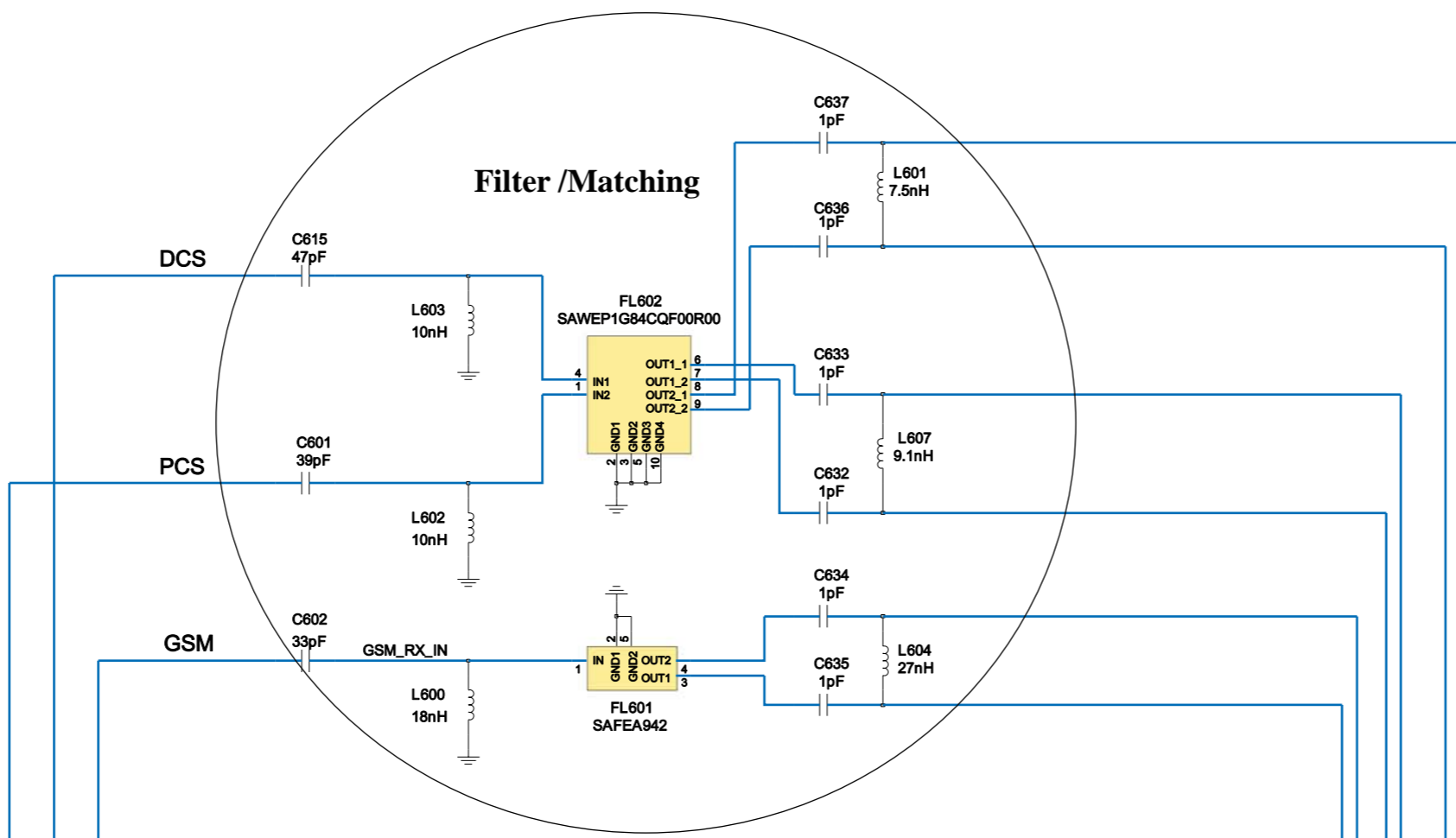
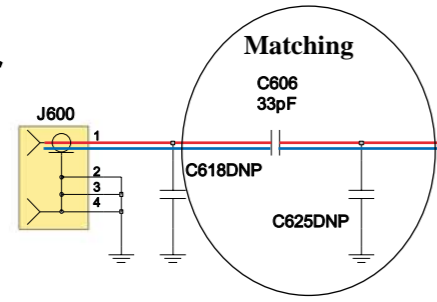


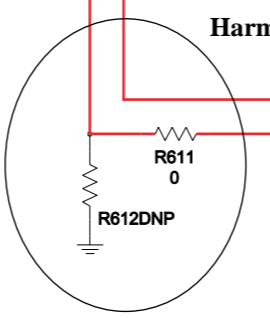
RF Connector



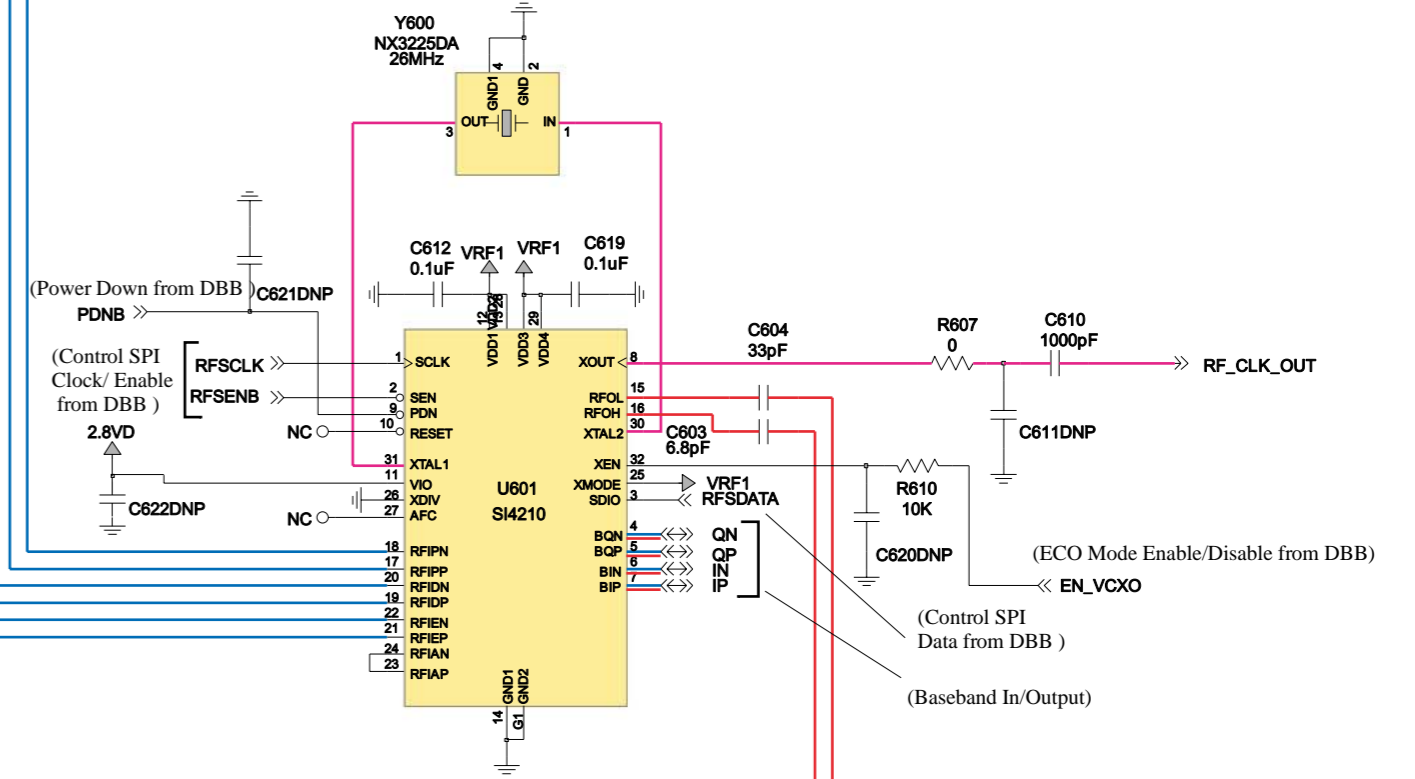
POWER AMPLIFIER

MODE	VLOGIC	INPUT CONTROL BITS		
		TX_EN	BS1	BS2
STANDBY	0	X	X	X
GSM_RX1	1	0	0	0
DCS_RX2	1	0	0	1
DCS_RX3	1	0	1	0
DCS_RX4	1	0	1	1
GSM_TX	1	1	0	X
DCS_TX	1	1	1	X

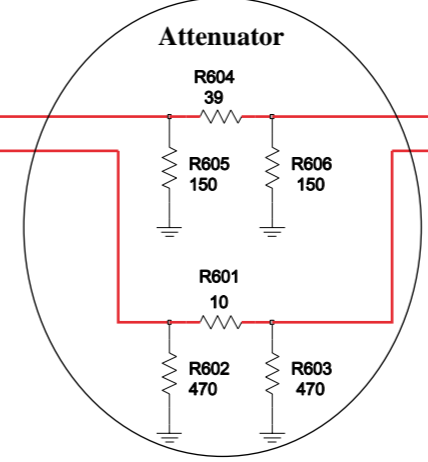
X means "DON'T CARE"



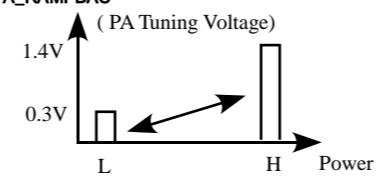
Harmonic Filter



RF TRANSCEIVER



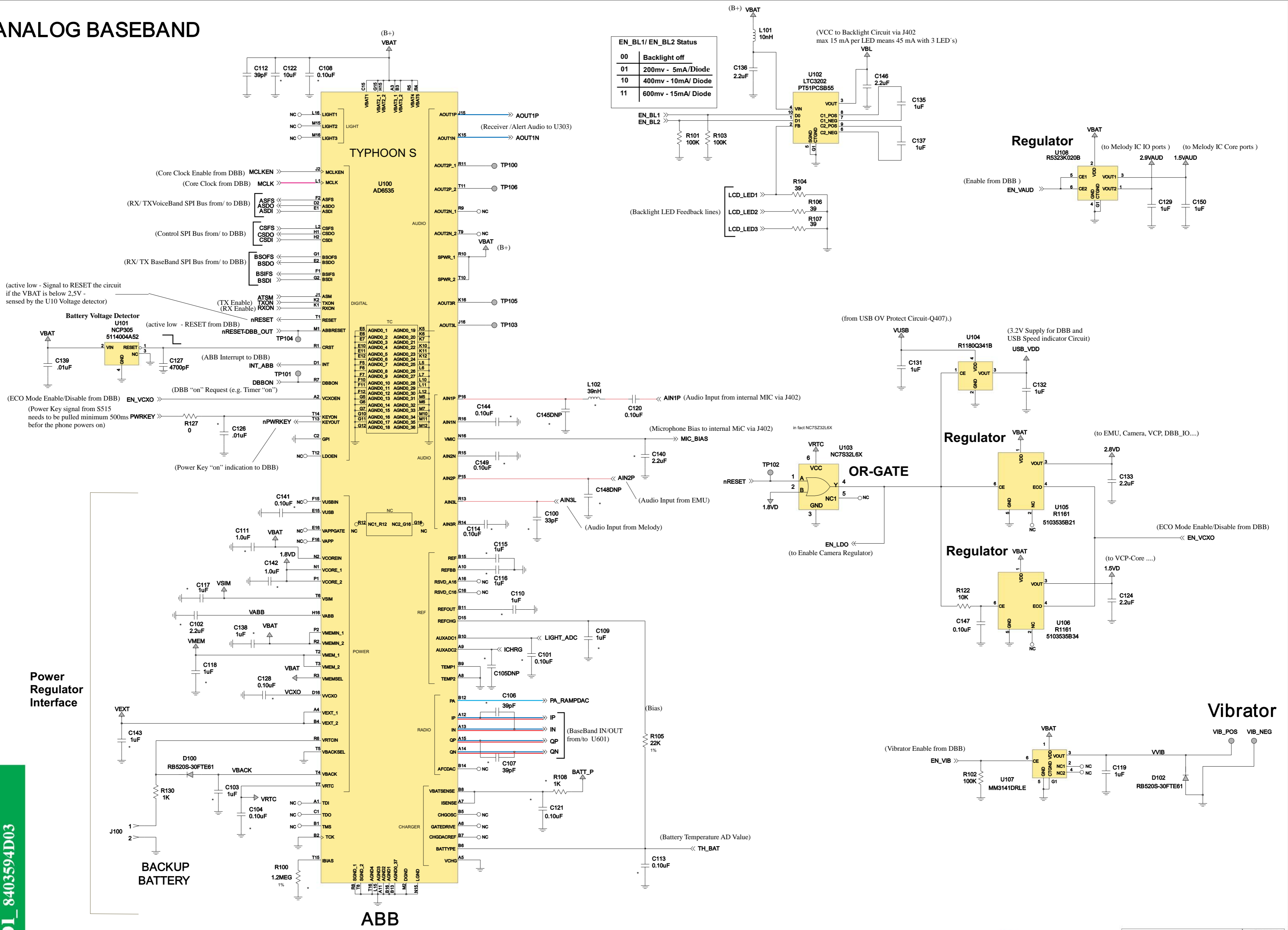
Attenuator



L6i_8403594D03

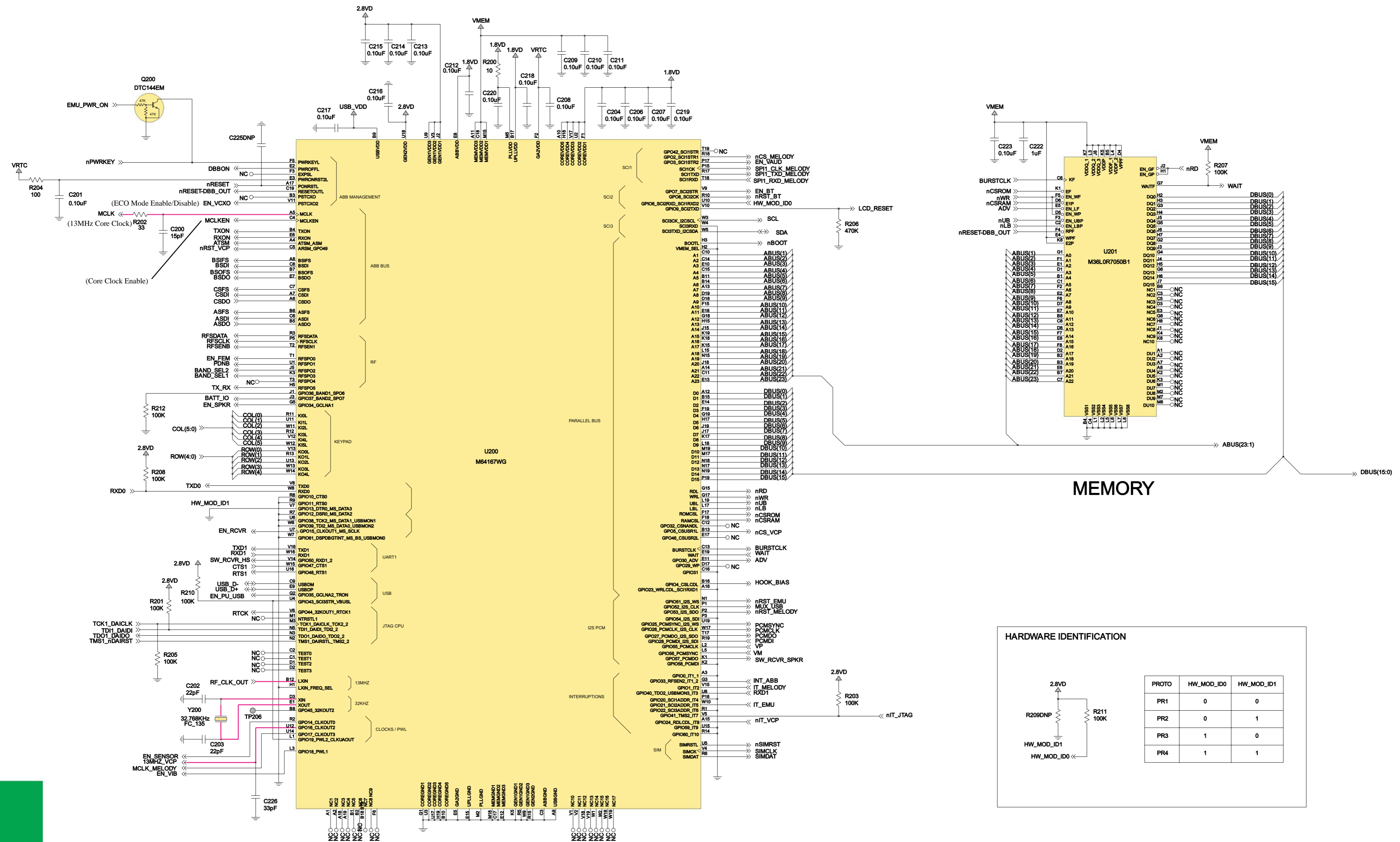
ANALOG BASEBAND

L6i_8403594D03



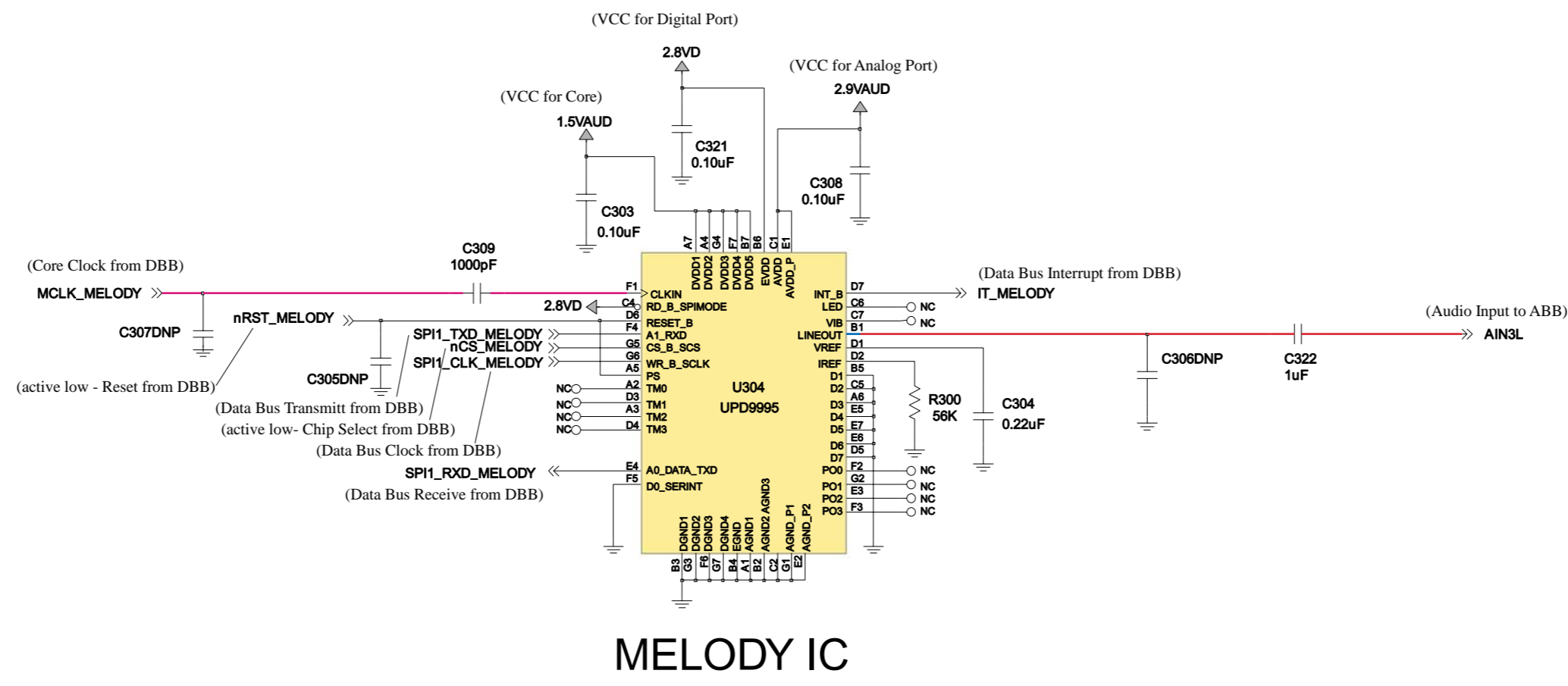
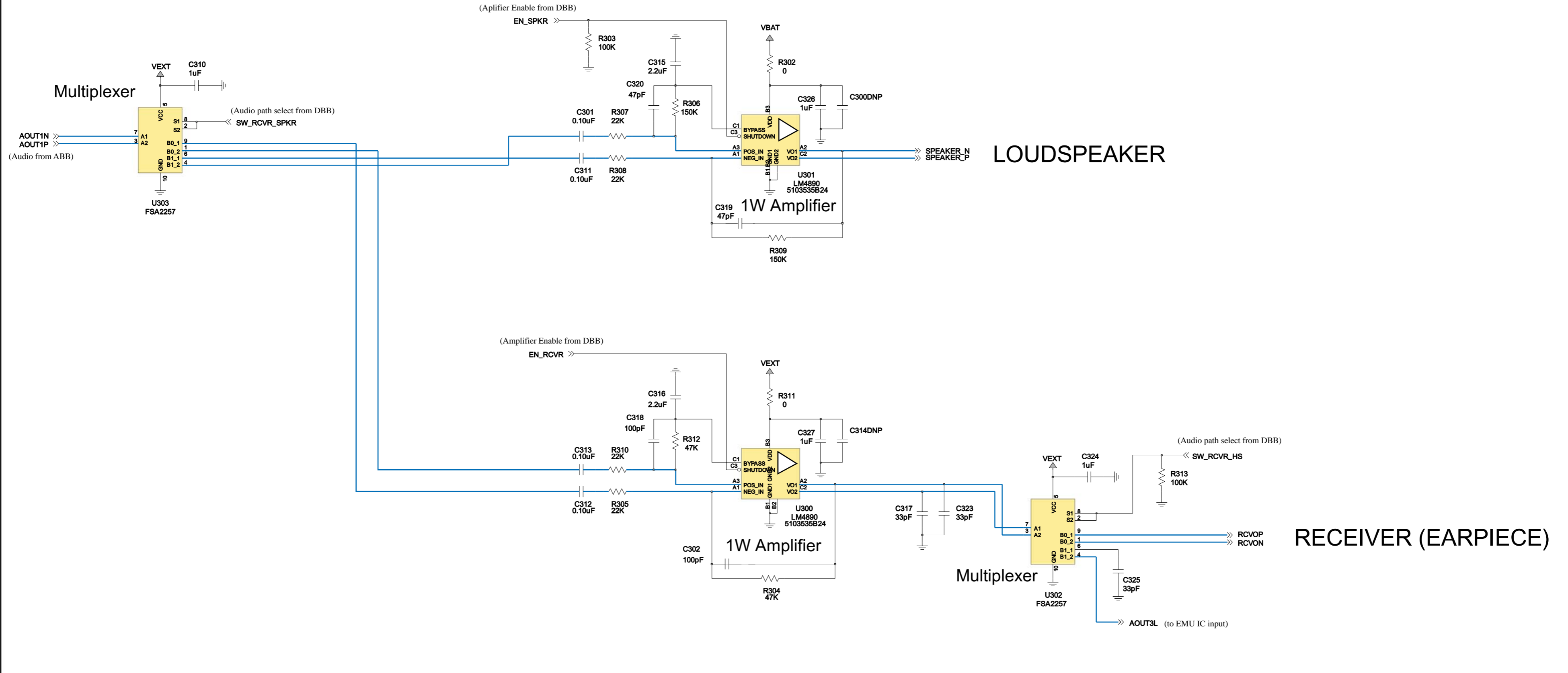
EN_BL1/EN_BL2 Status	Value
00	Backlight off
01	200mv - 5mA/Diode
10	400mv - 10mA/Diode
11	600mv - 15mA/Diode

DIGITAL BASEBAND



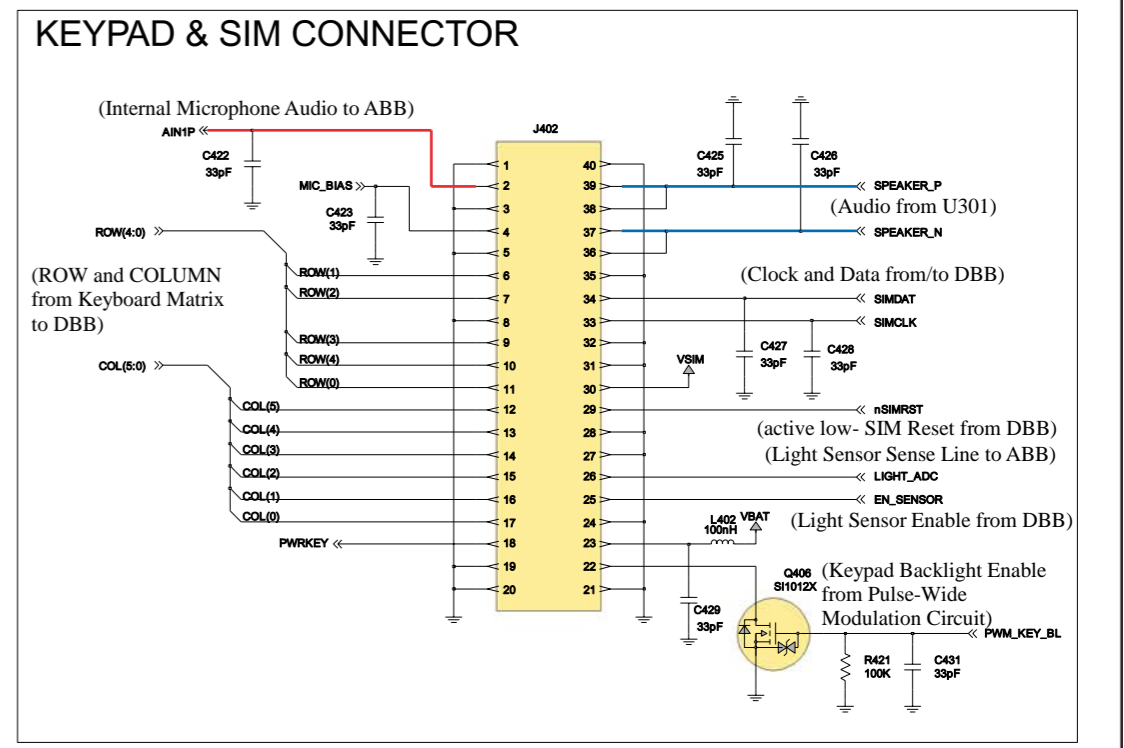
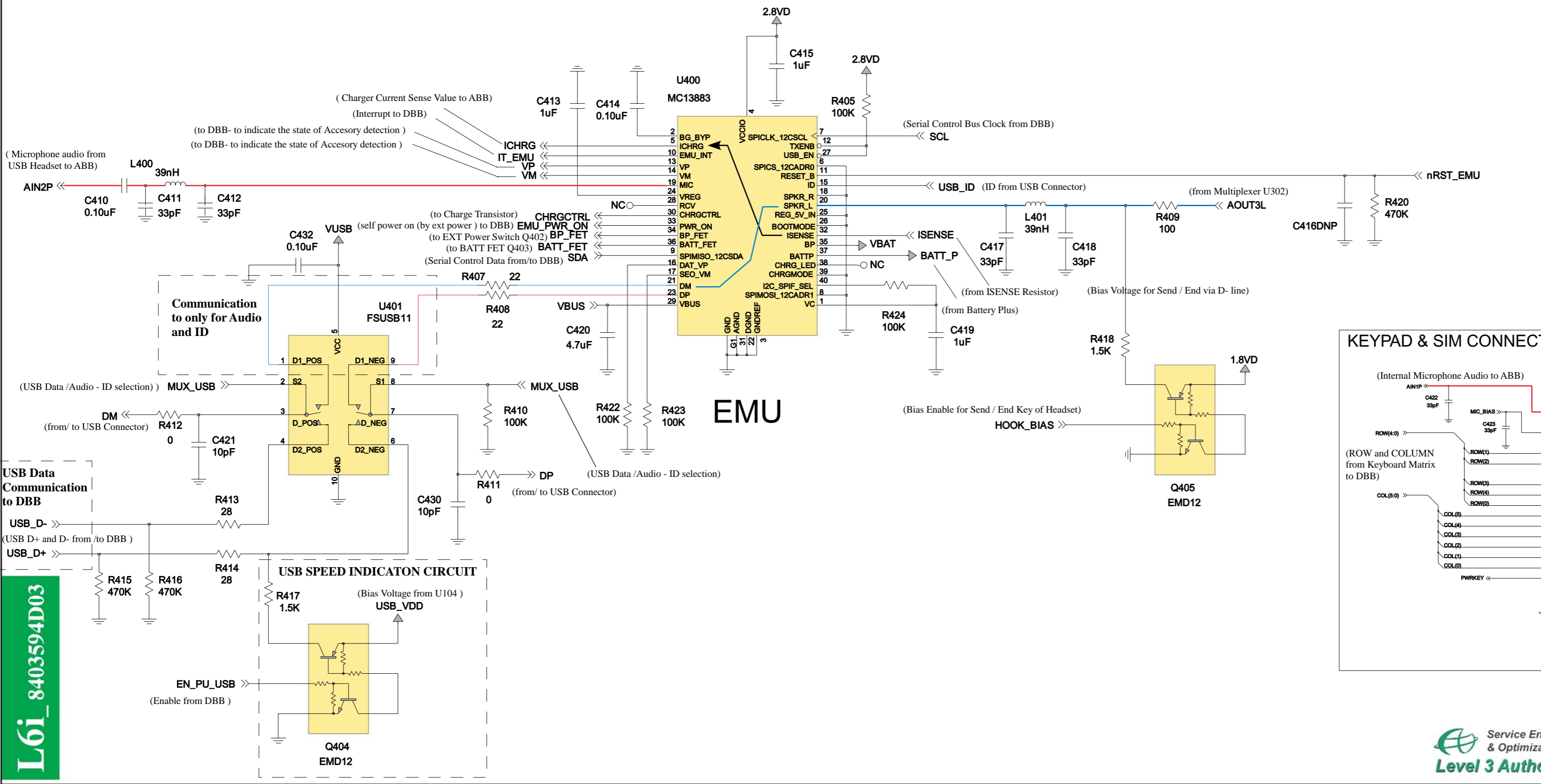
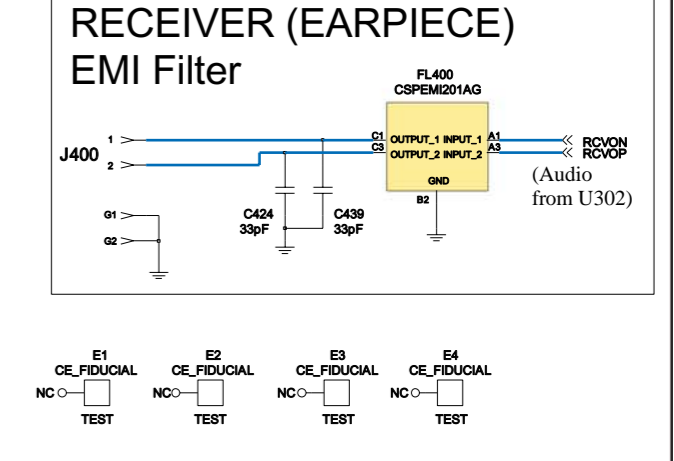
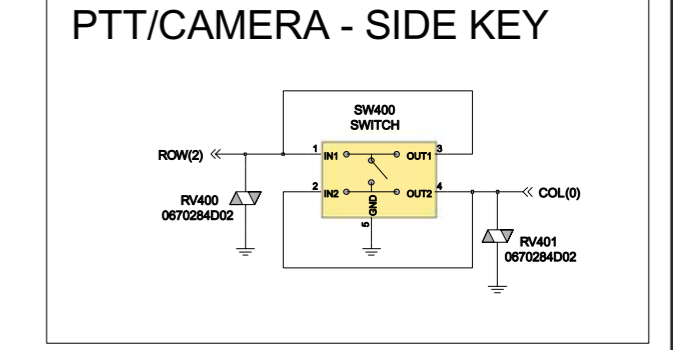
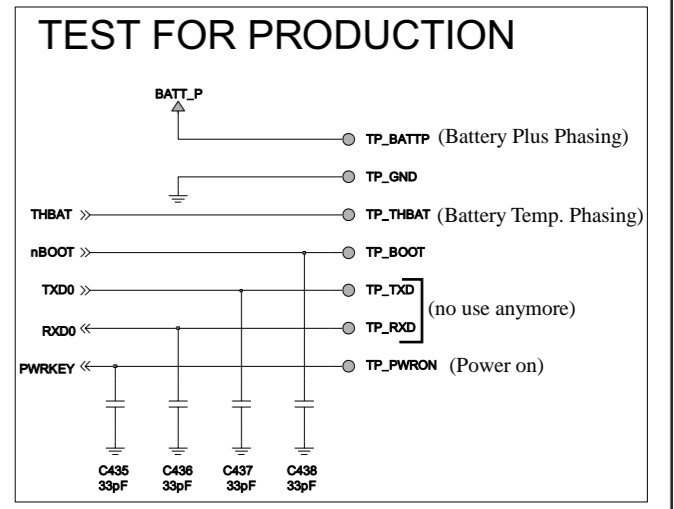
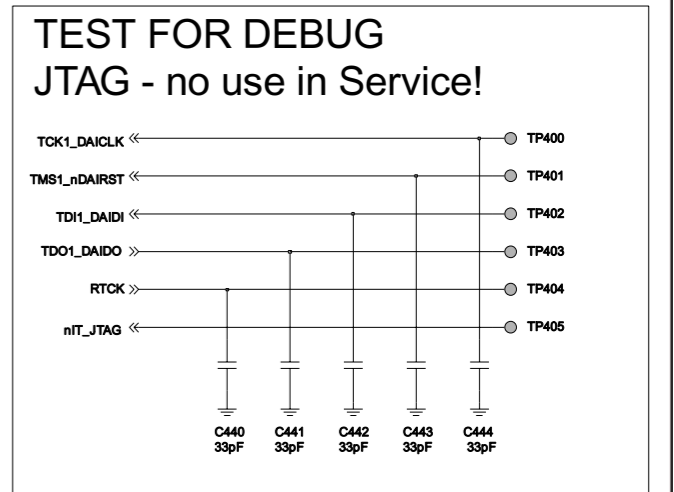
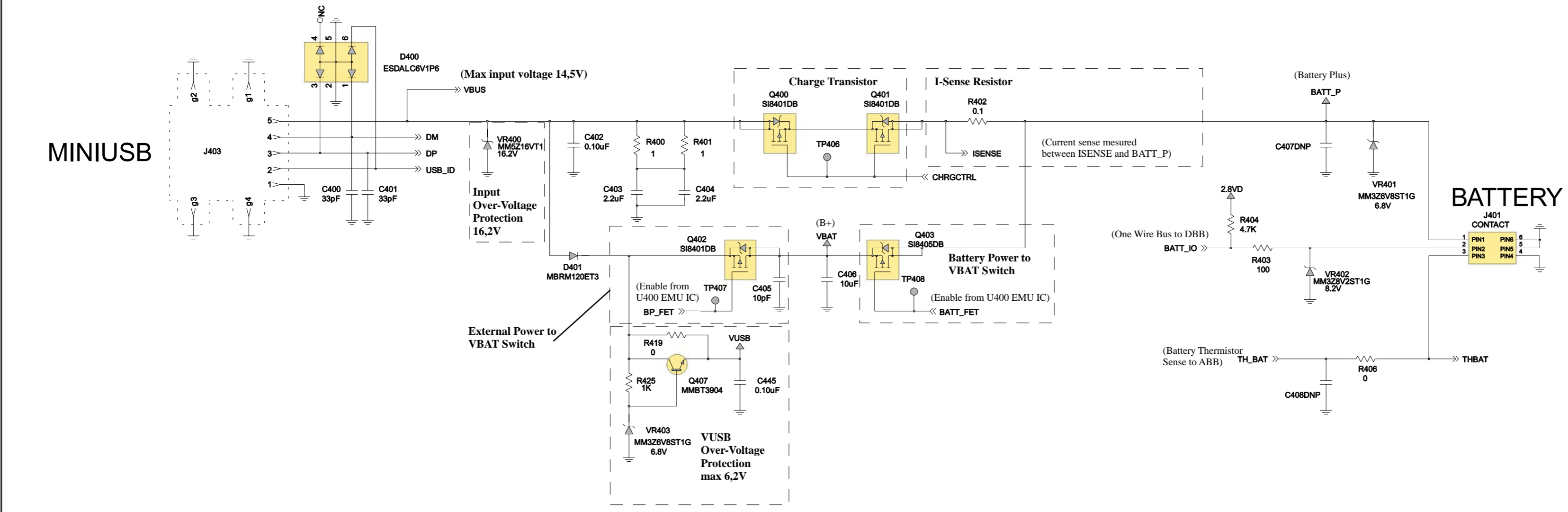
L6i_8403594D03

AUDIO



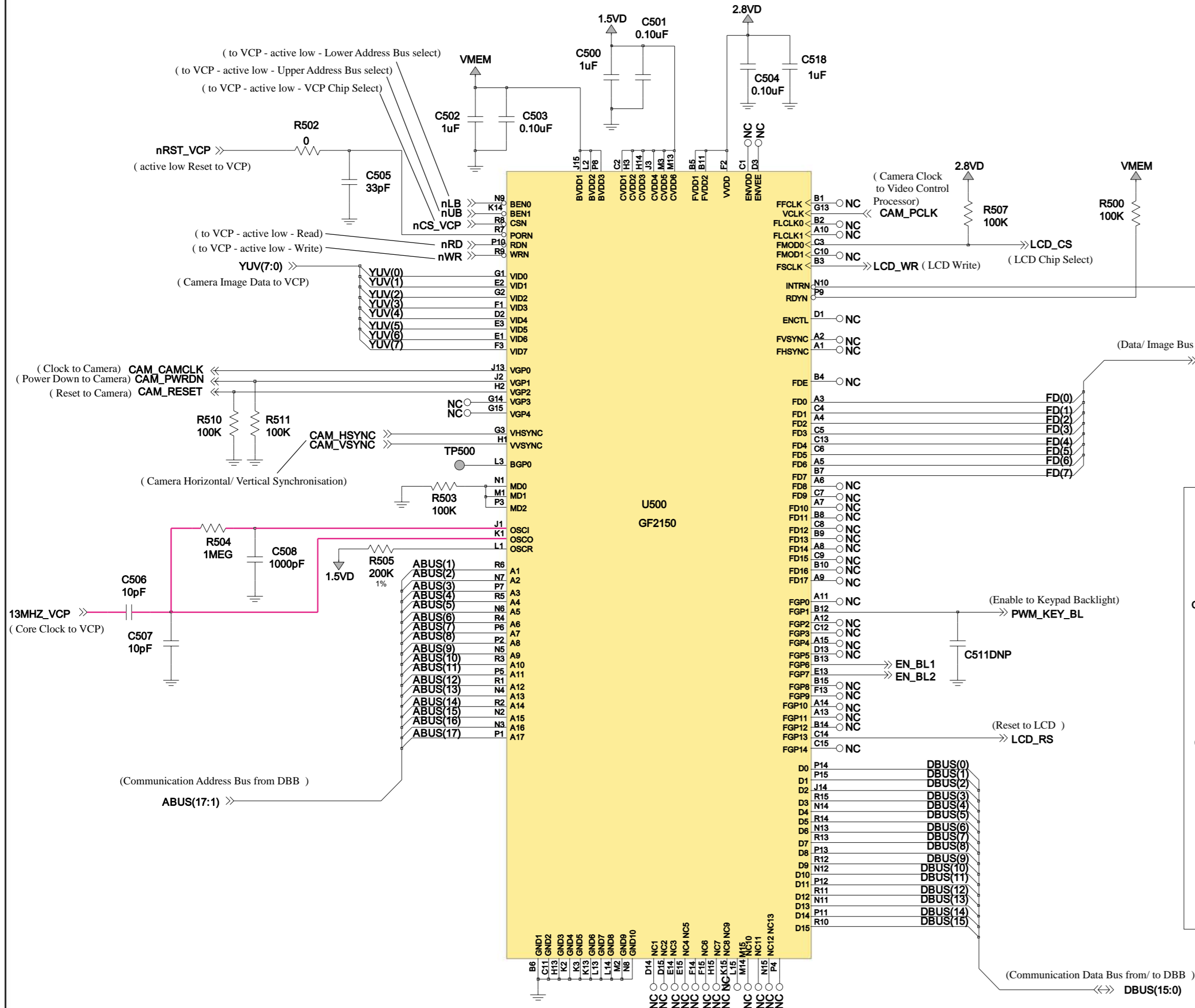
L6i_8403594D03

EMU & CONNECTORS

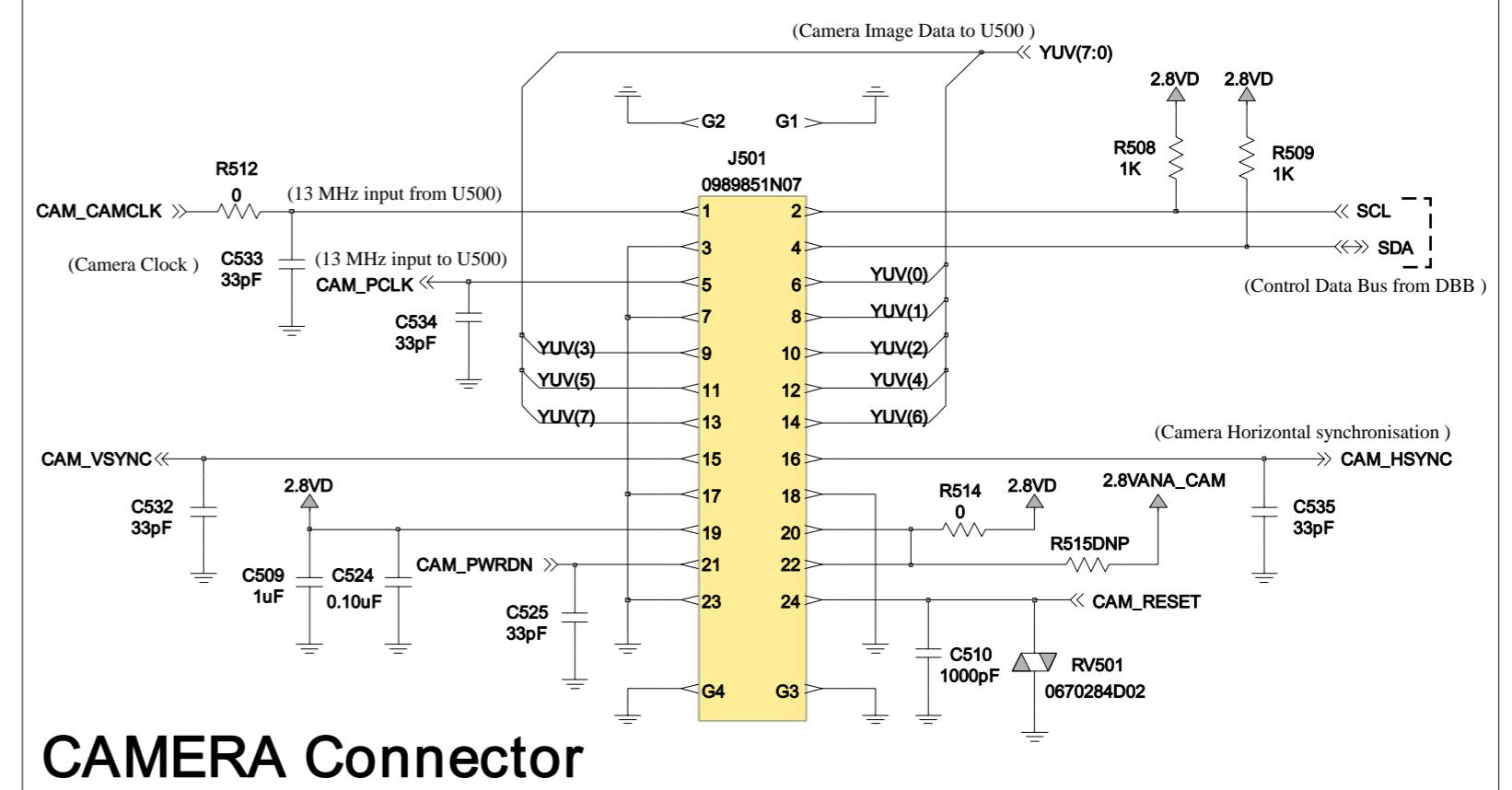
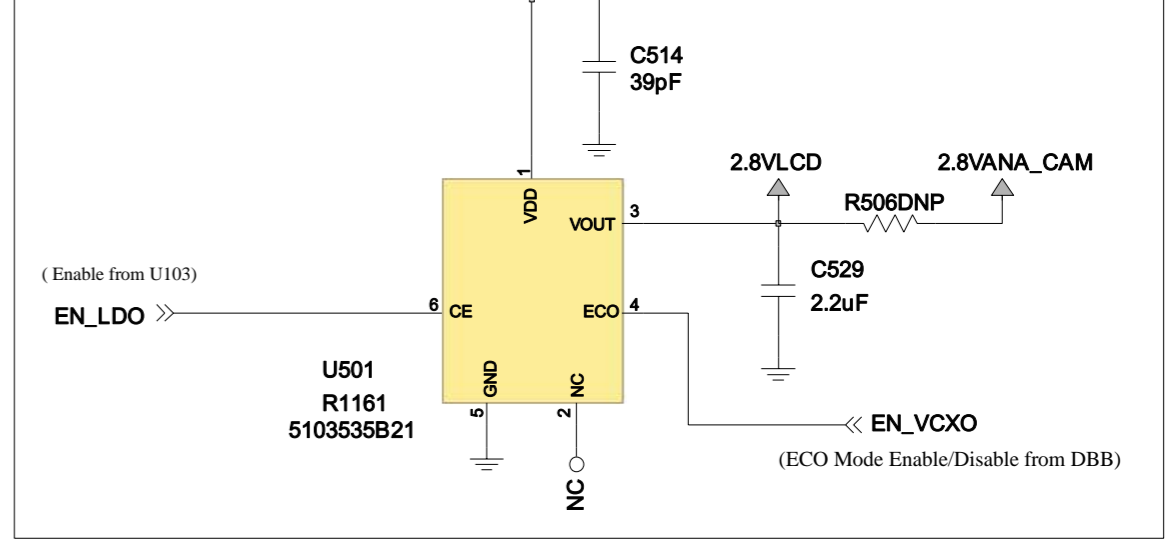


L6i_8403594D03

MULTIMEDIA

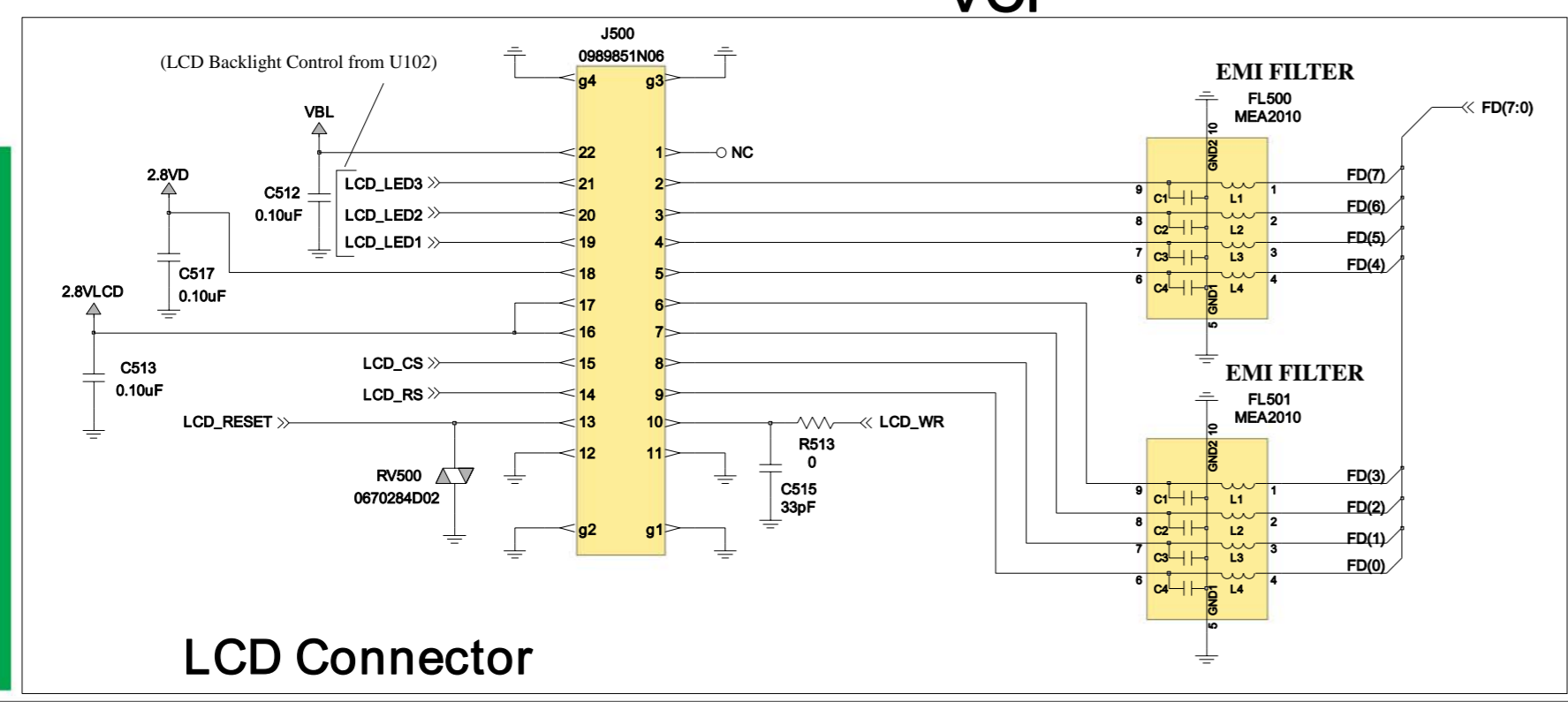


LCD SUPPLY



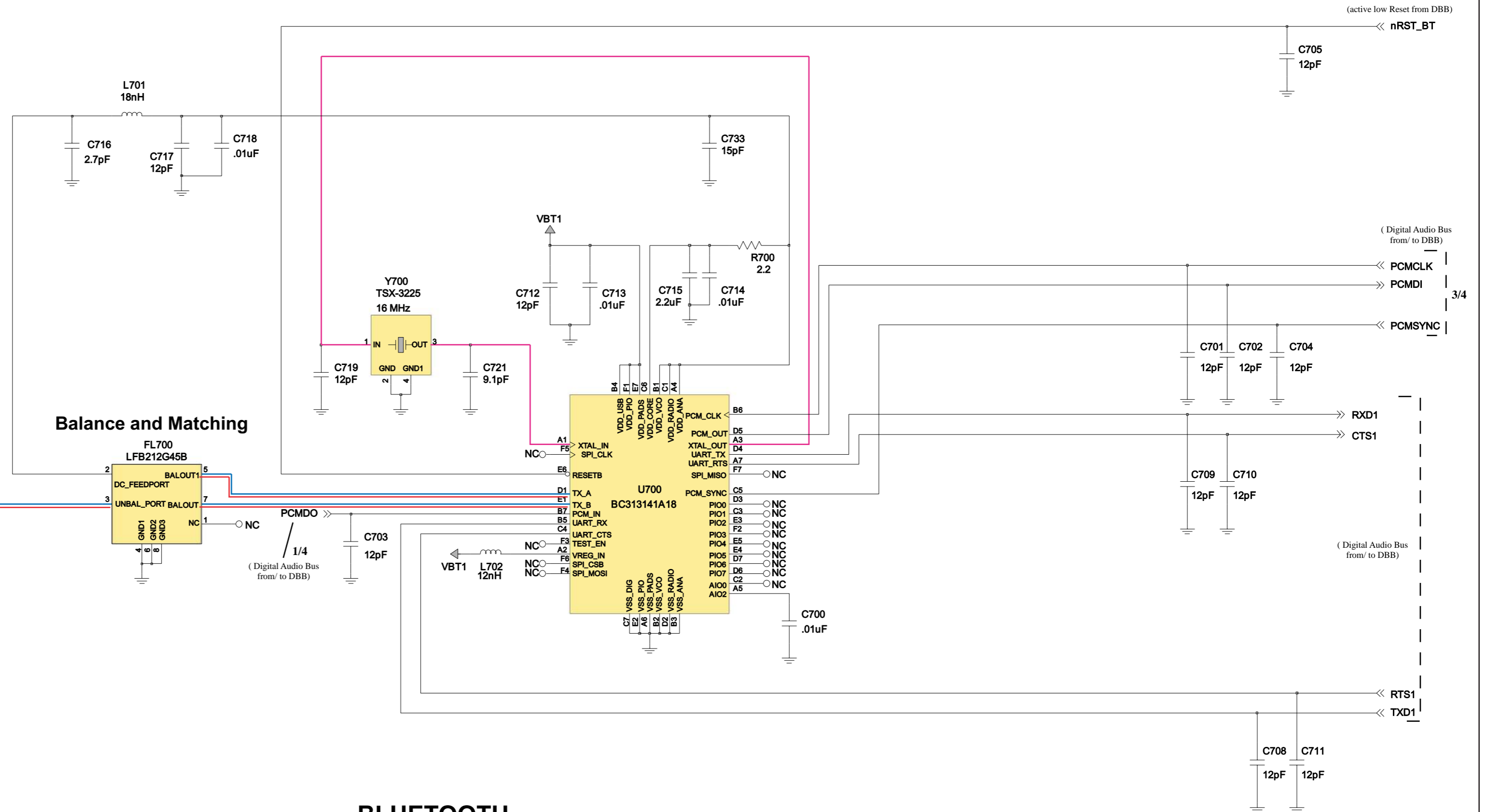
CAMERA Connector

VCP

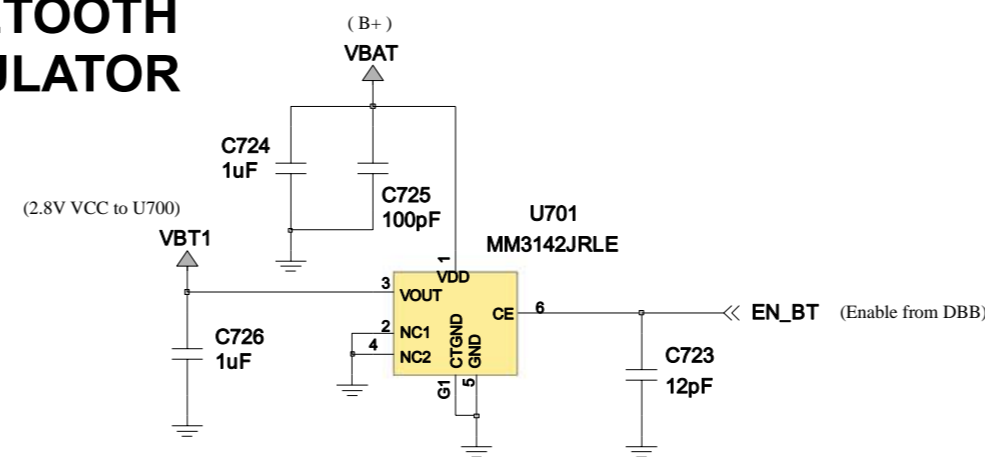


BLUETOOTH

BT Antenna



BLUETOOTH REGULATOR



L6i_8403594D03