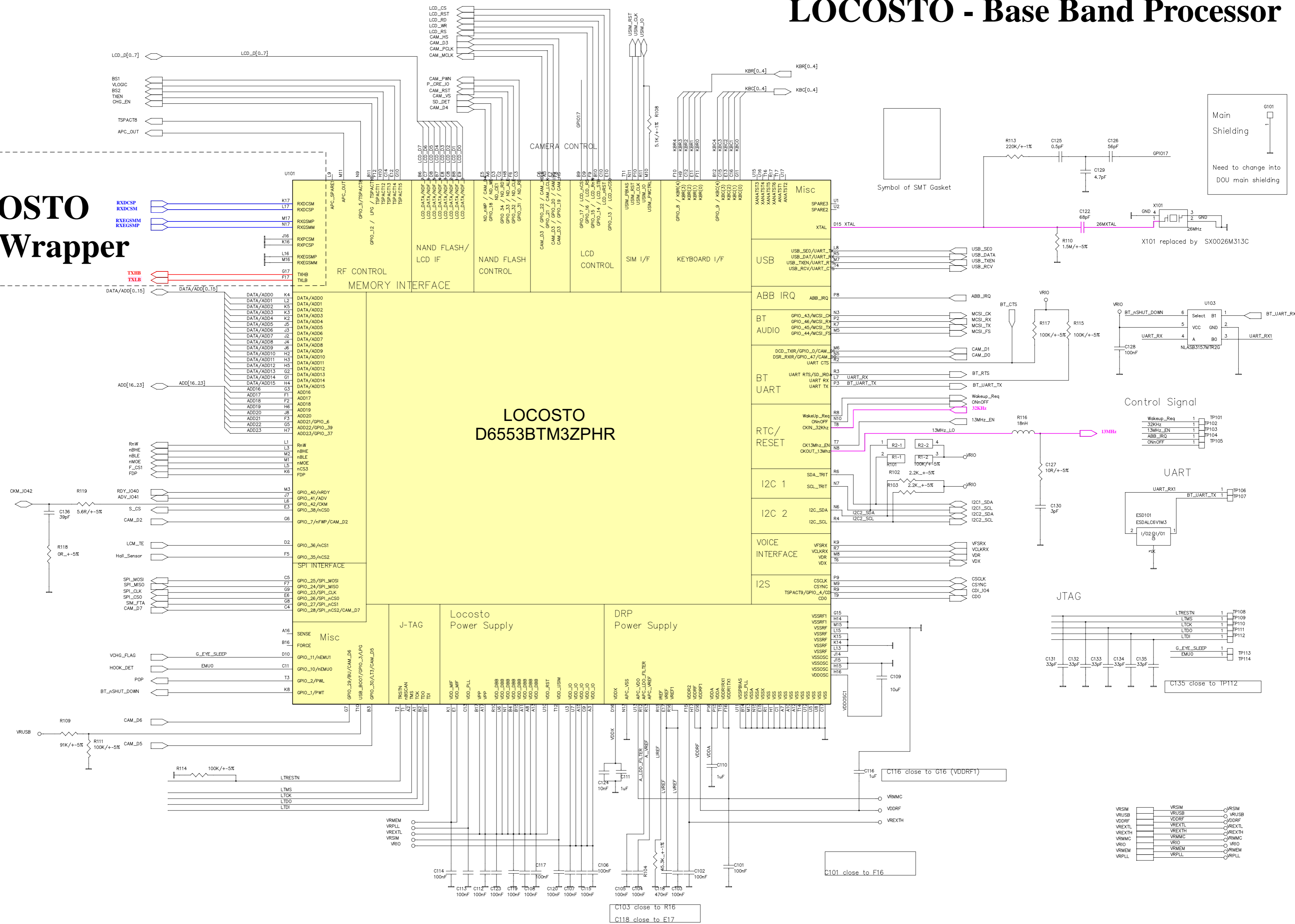


# LOCOSTO - Base Band Processor

## LOCOSTO DRP Wrapper

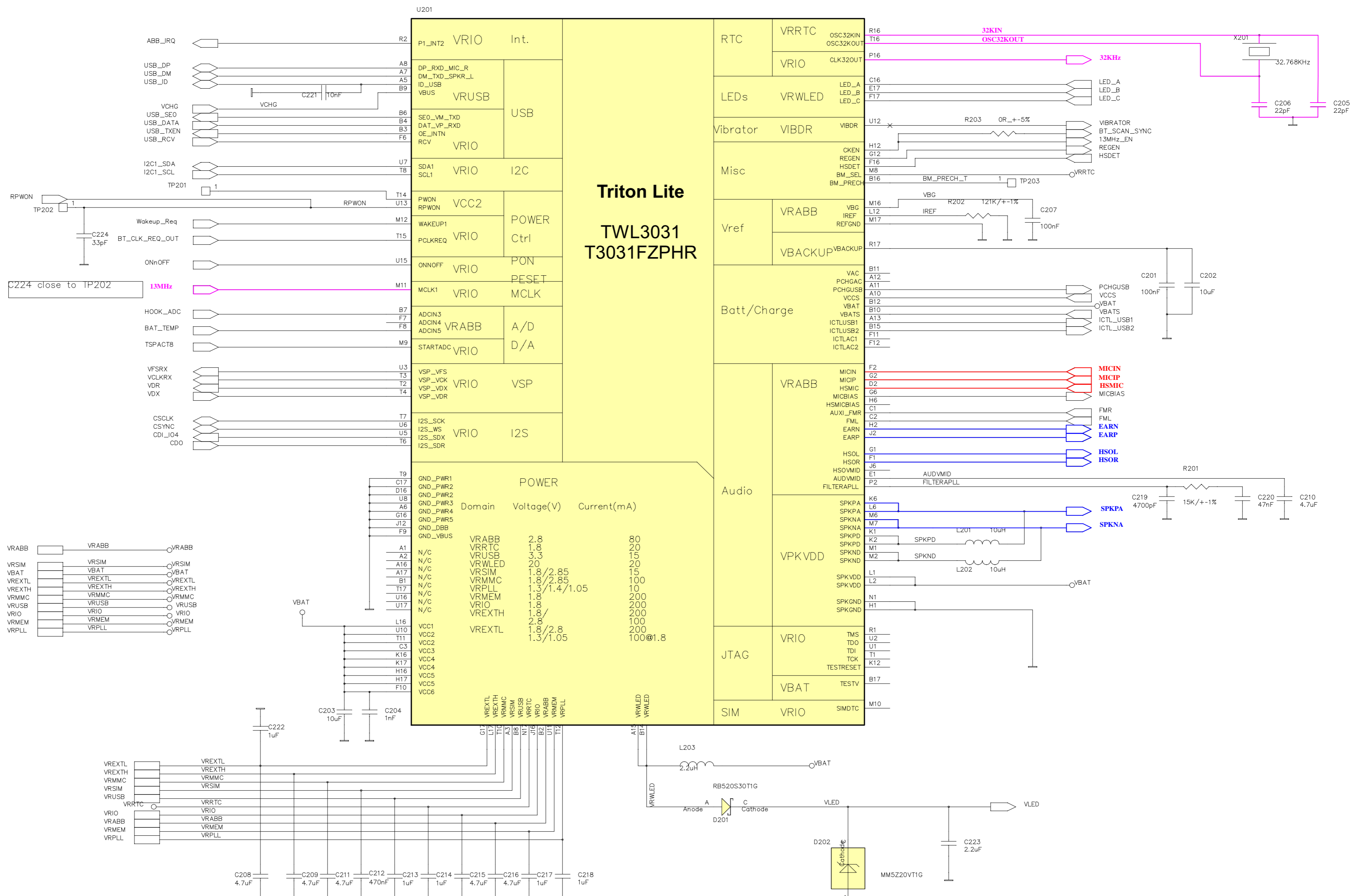


**EM325\_SB0DUO1TGOF**



Service, Engineering & Optimization	2008.07.10
Level 3 Schematics	Rev. 1.0
EM325	SB0DUO1TGOF
DUO_Main	Page 1 of 8

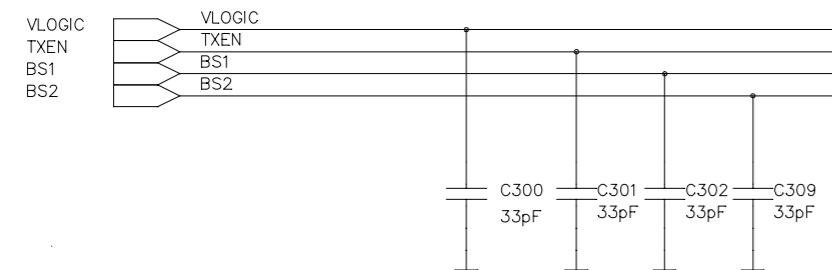
# TRITON LITE - Power Management



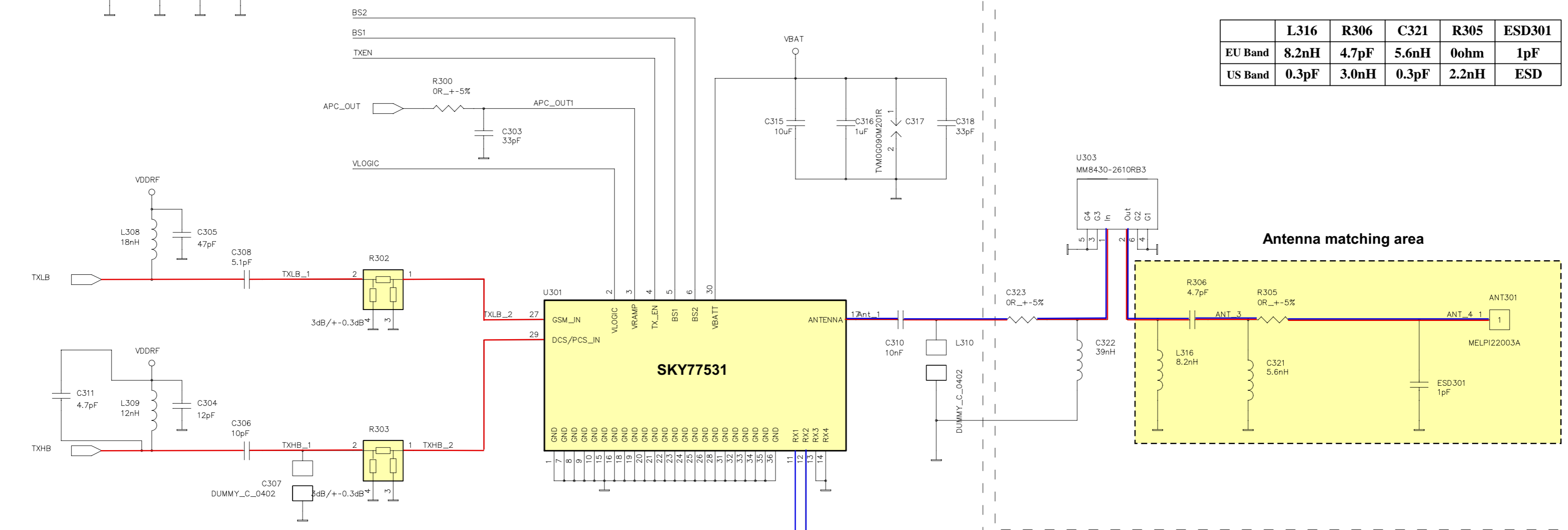
EM325\_SB0DUO1TGOF

# Power Amplifier Module (PA+Antenna Switch)

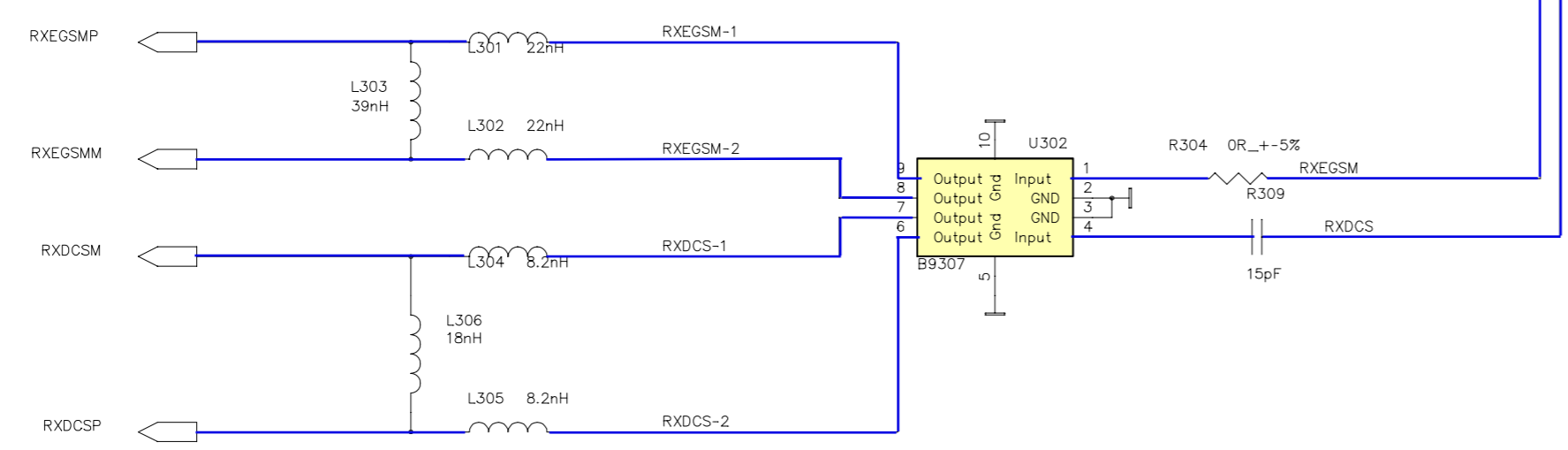
# PA output and Antenna matching area



	Vlogic	TXEN	BS1	BS2
RX-EGSM	1	0	0	0
RX-DCS	1	0	0	1
TX-EGSM	1	1	0	0
TX-DCS	1	1	1	0

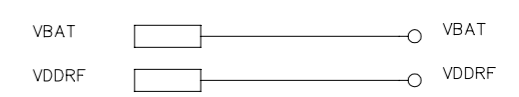
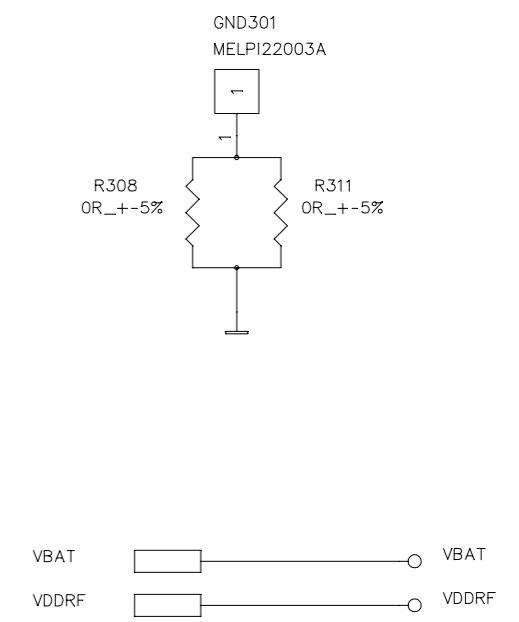


	L316	R306	C321	R305	ESD301
EU Band	8.2nH	4.7pF	5.6nH	0ohm	1pF
US Band	0.3pF	3.0nH	0.3pF	2.2nH	ESD



	L301/L302	L304/L305	L303	L306	R309	R304
EU Band	22nH	8.2nH	39nH	18nH	15pF	0ohm
US Band	27nH	8.2nH	56nH	18nH	15pF	0ohm

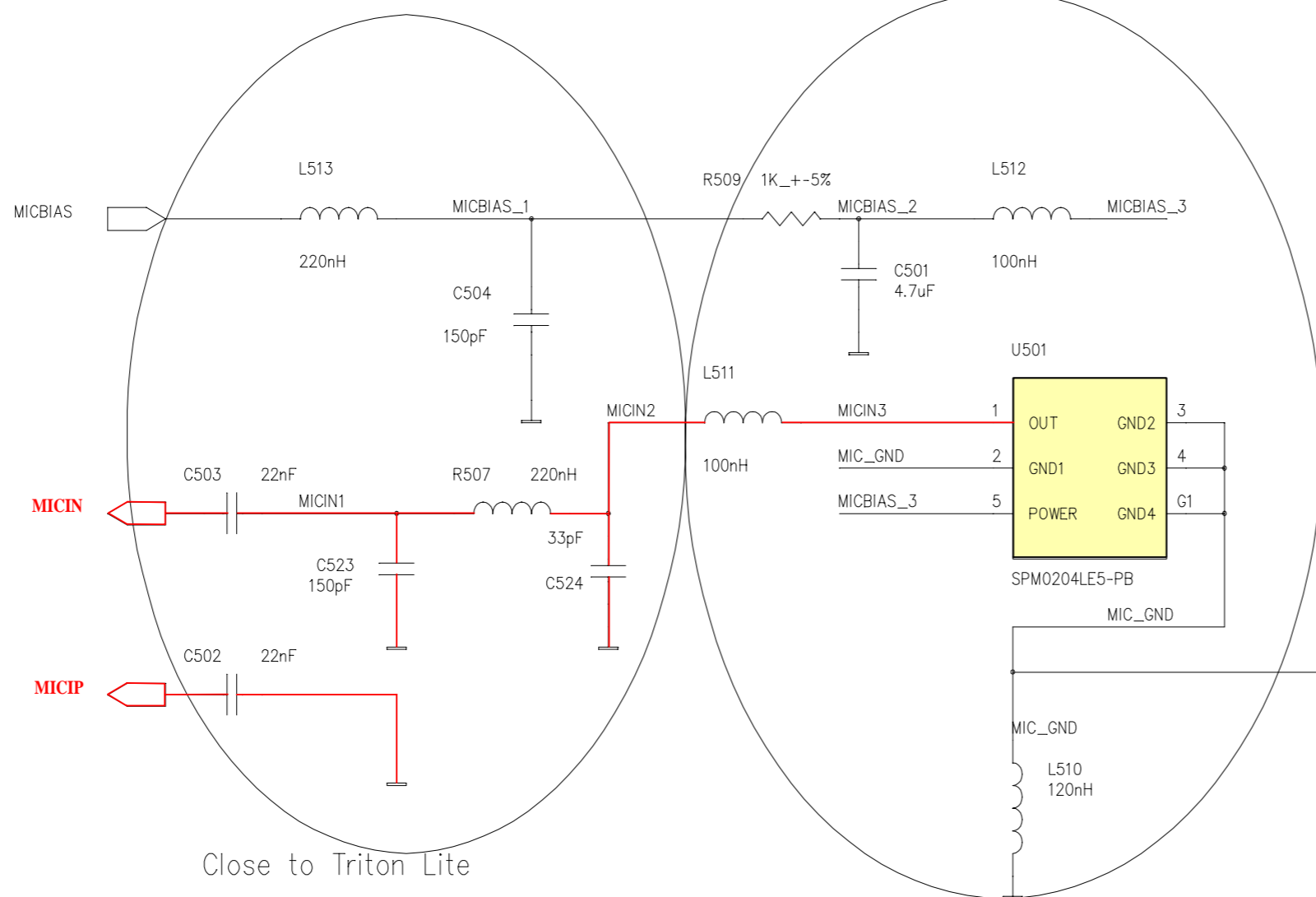
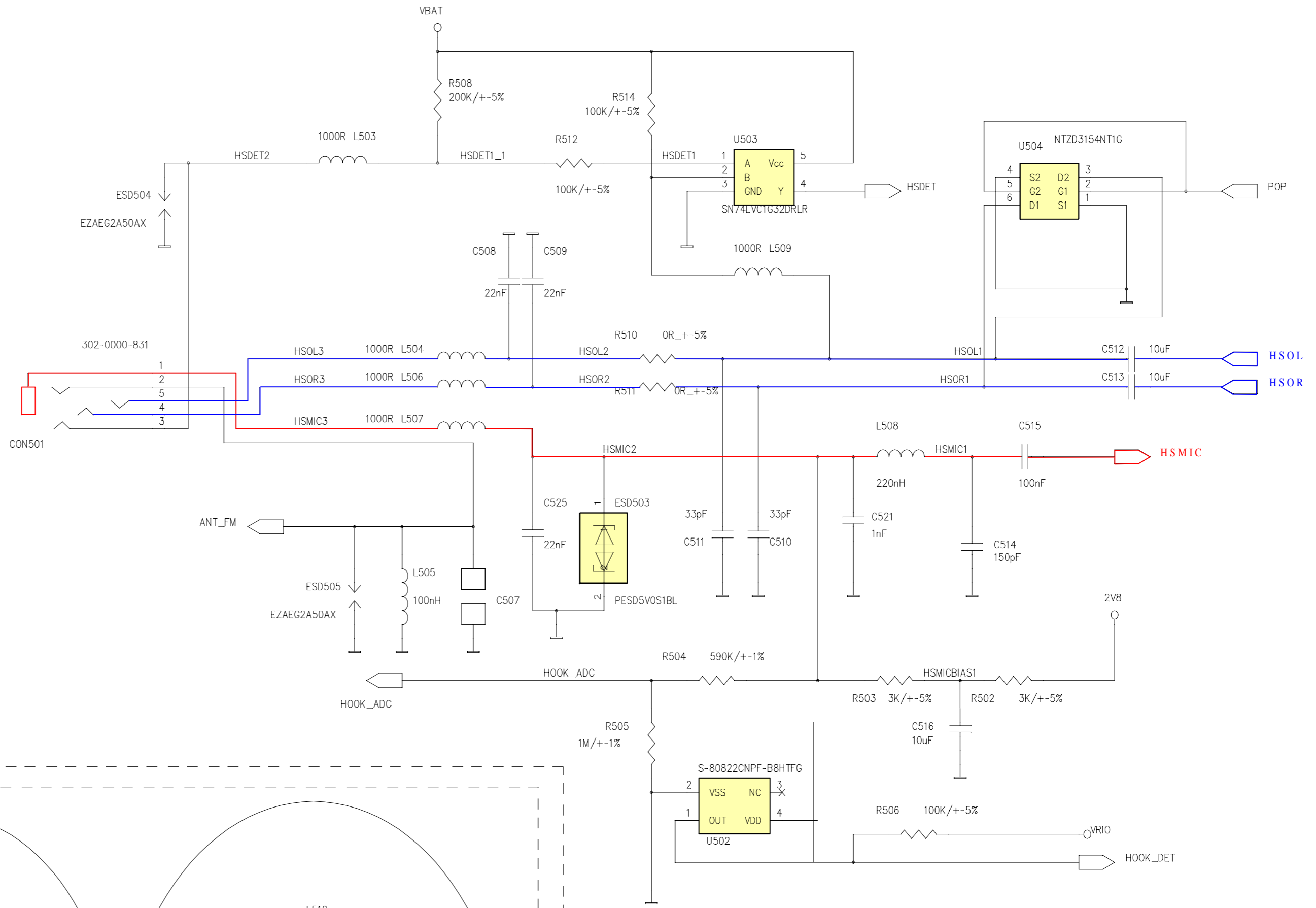
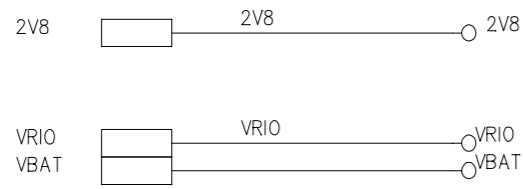
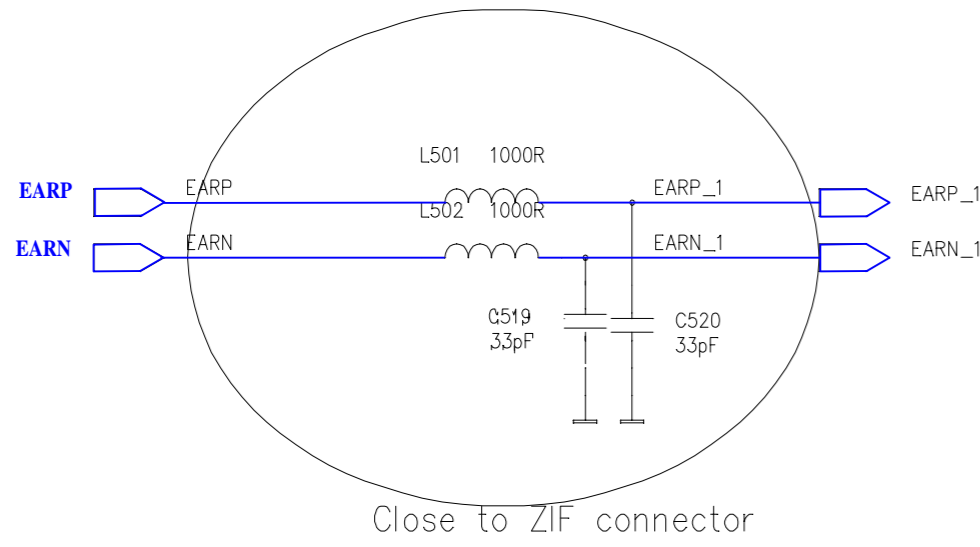
# Dual Band SAW Filter and Rx matching network



EM325\_SB0DU01TGOF



# Audio I/F

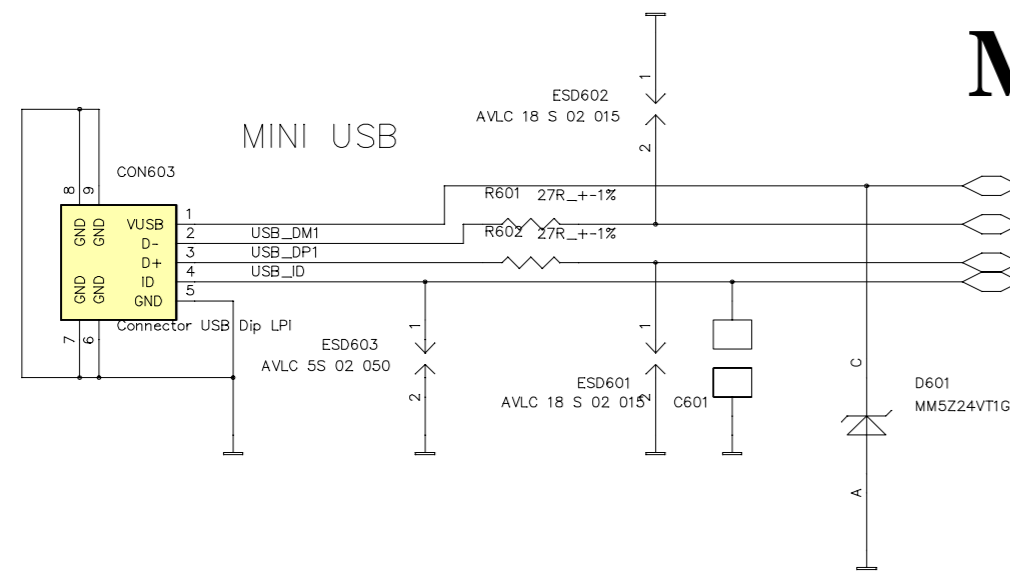


# Microphone I/F

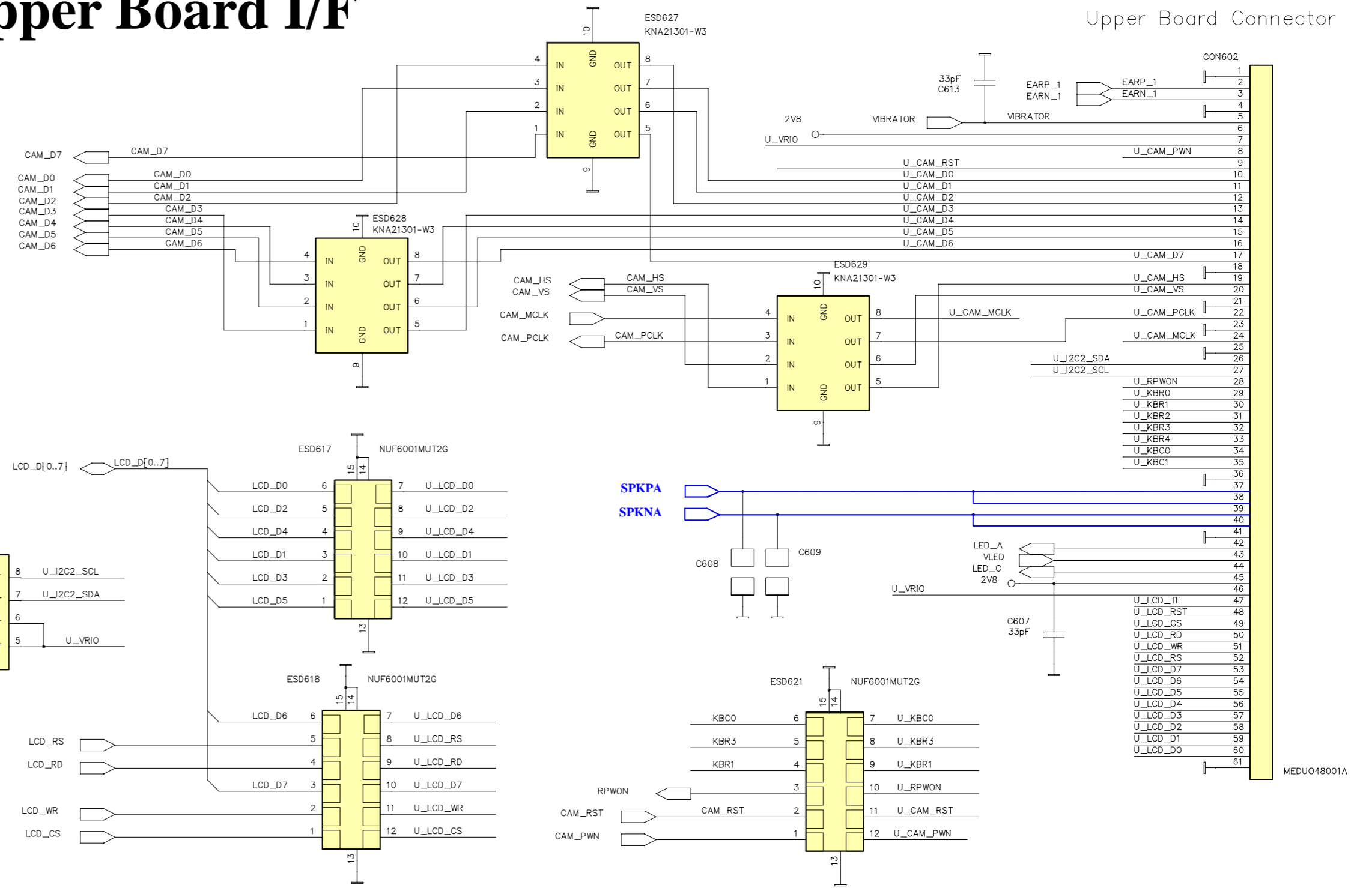
1 G501  
Need to change into  
DUO MIC shielding

EM325\_SB0DUO1TGOF

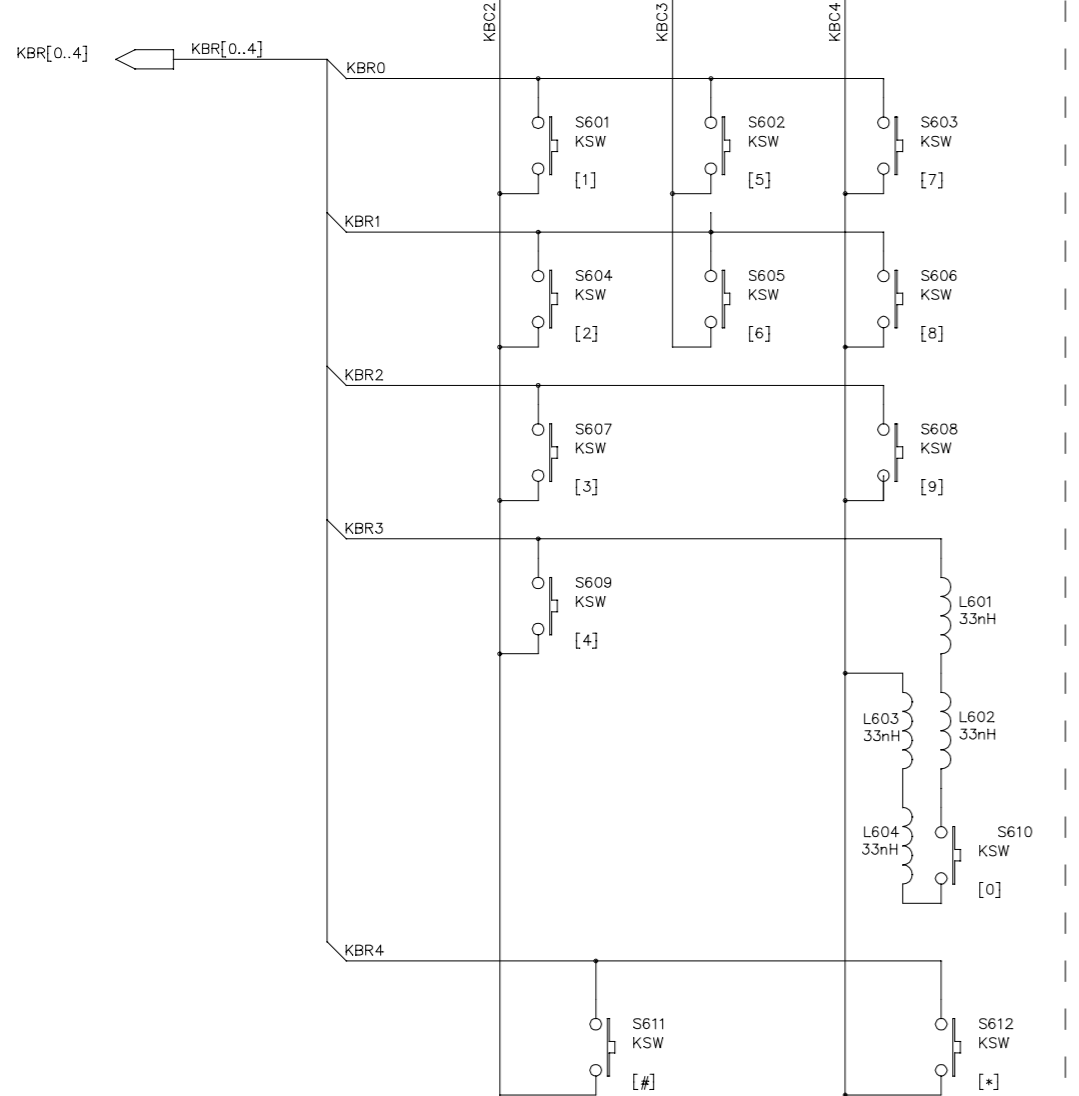
# Mini USB



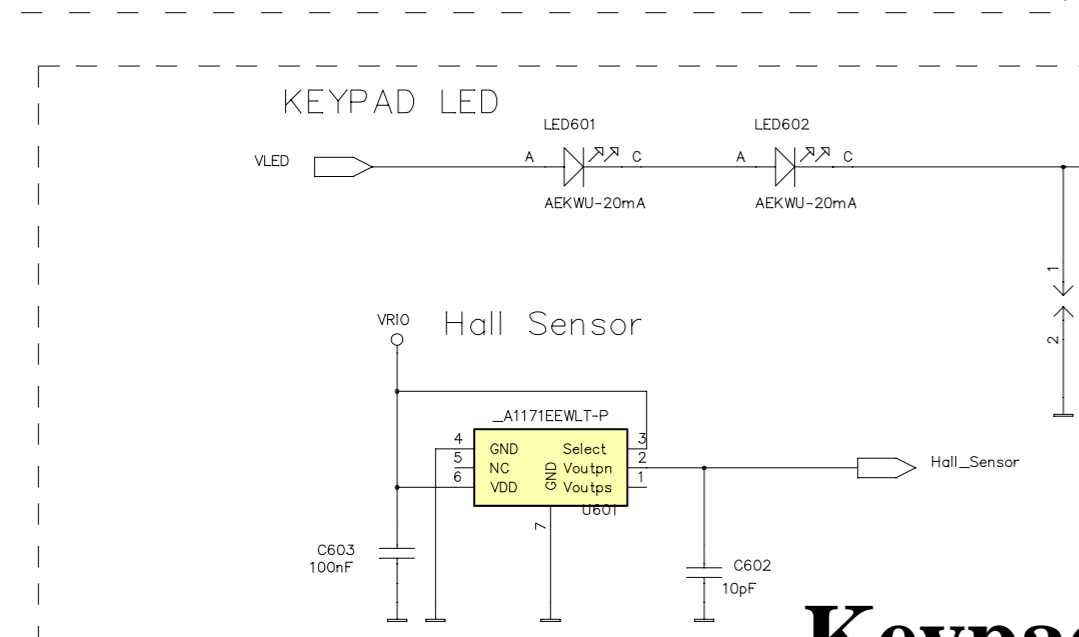
# Upper Board I/F



# KEYPAD

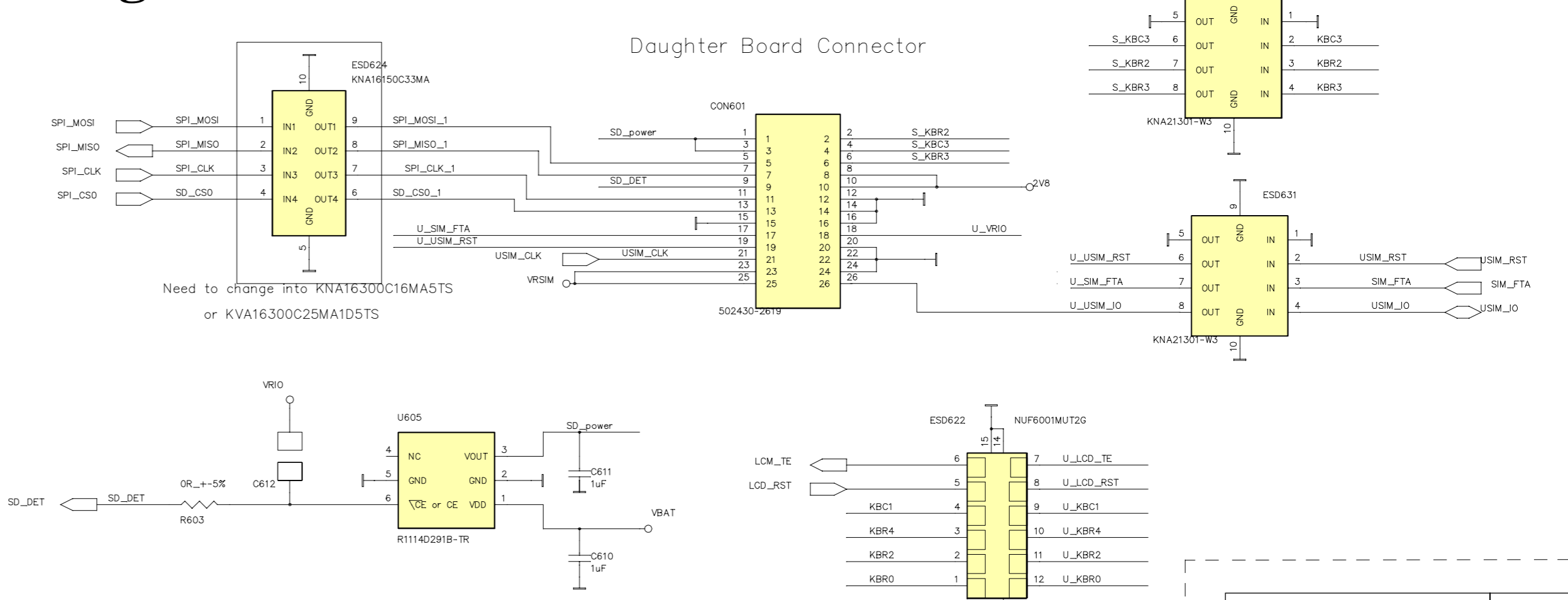


# Key Pad



# Keypad LED and Hall Sensor

# Daughter Board I/F

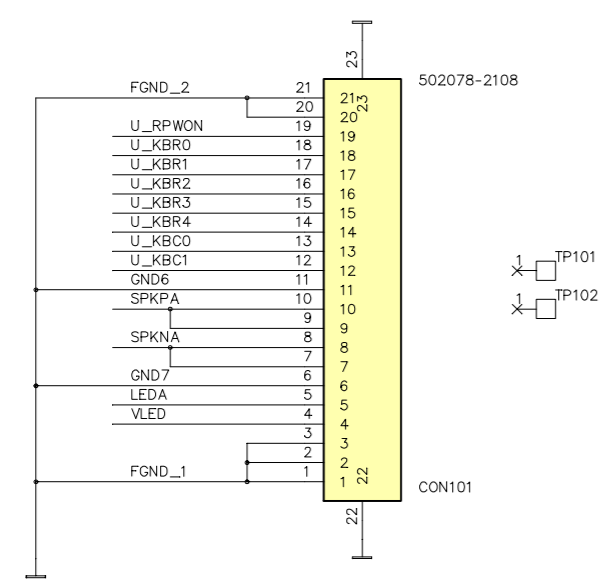


EM325\_SB0DUO1TGOF

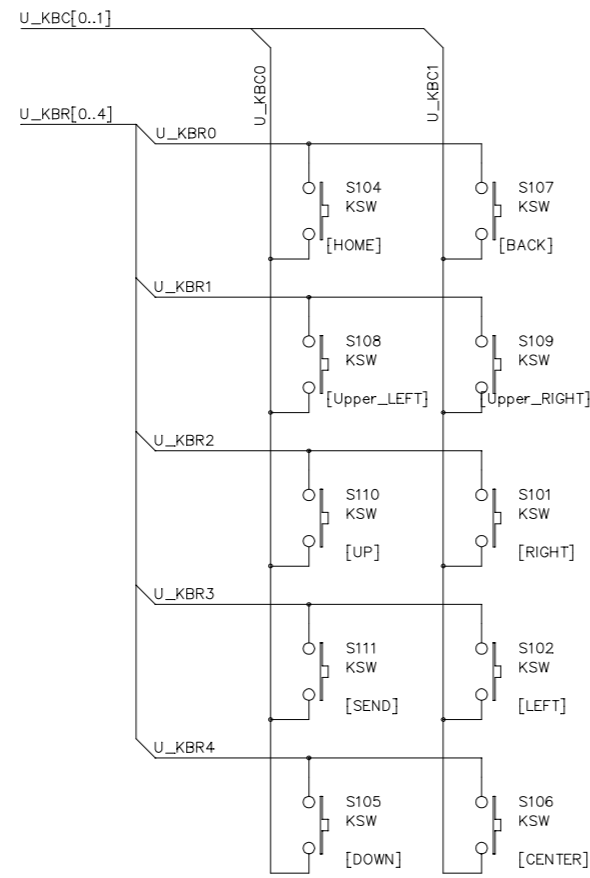
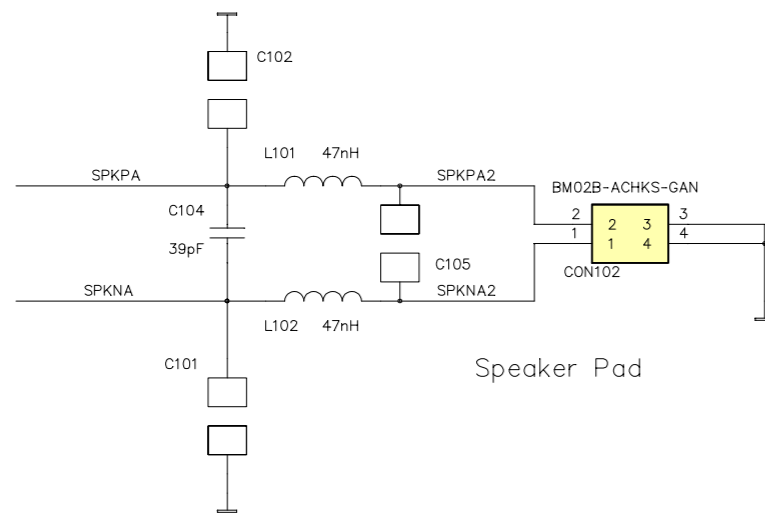


# Upper Board Circuit

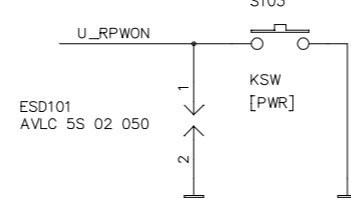
Connector To SLIDER FPC



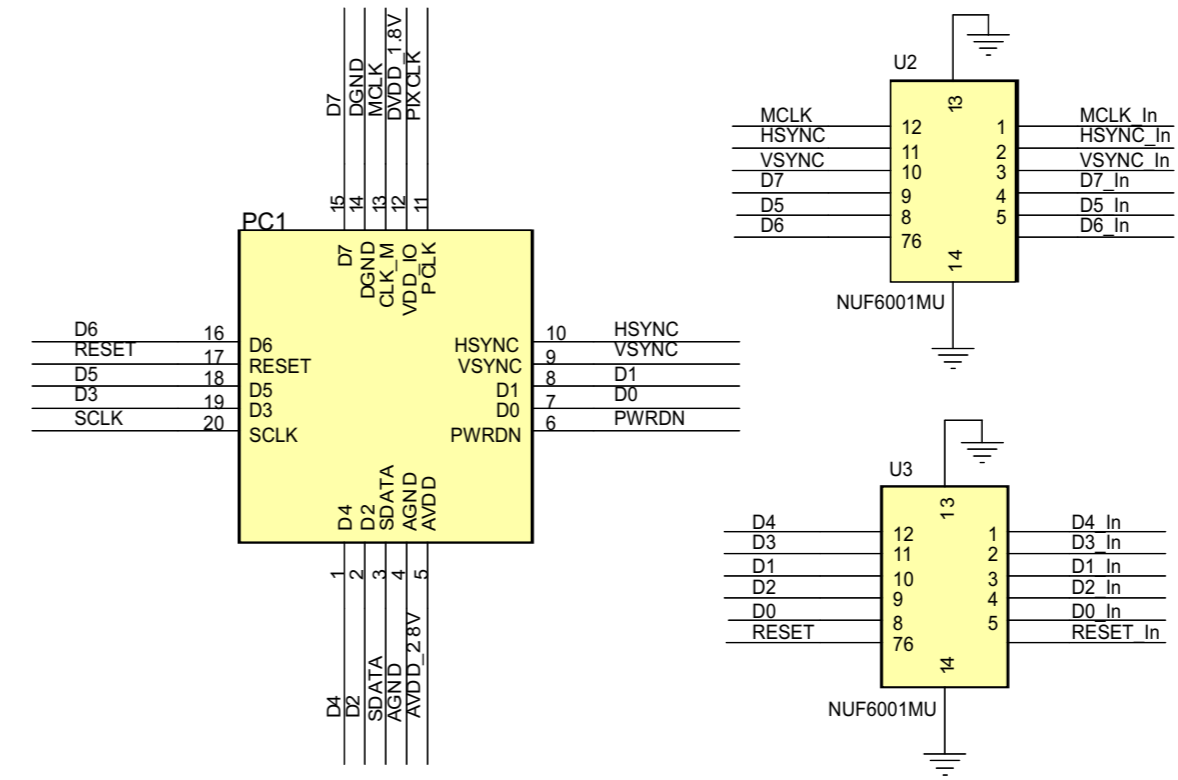
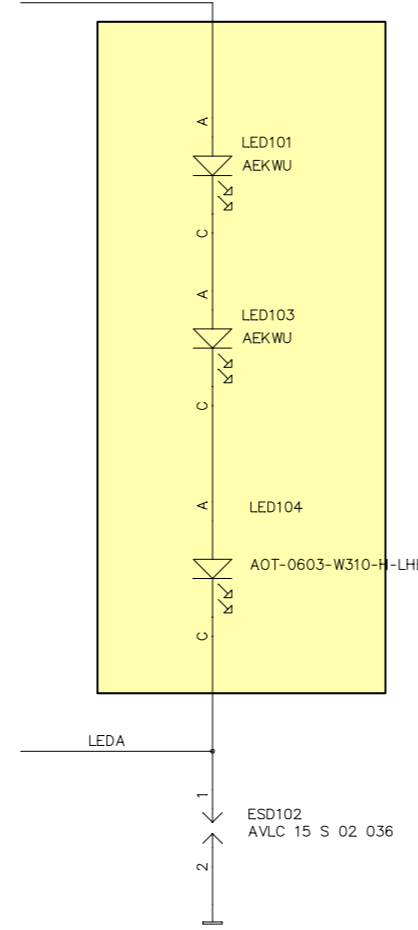
Connector To Speaker



KEYPAD



KEYPAD LED



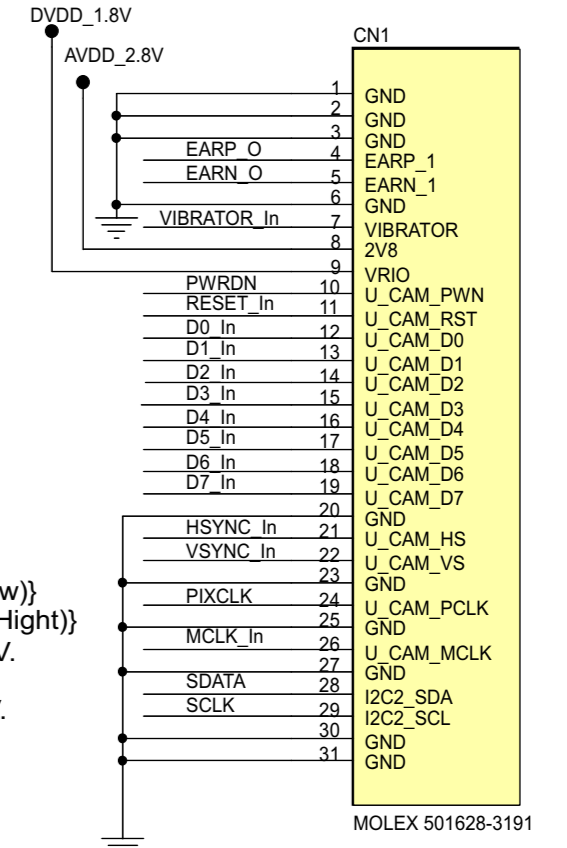
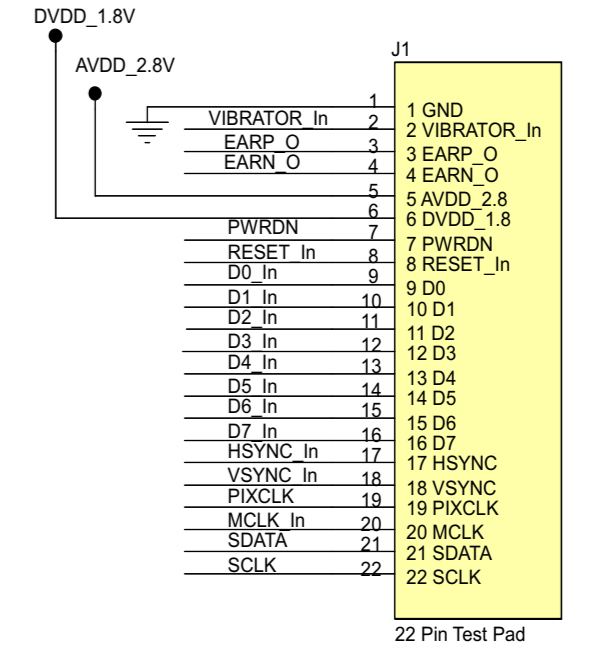
Receiver

Place L1 / L3 / C1 as close U4 as possible

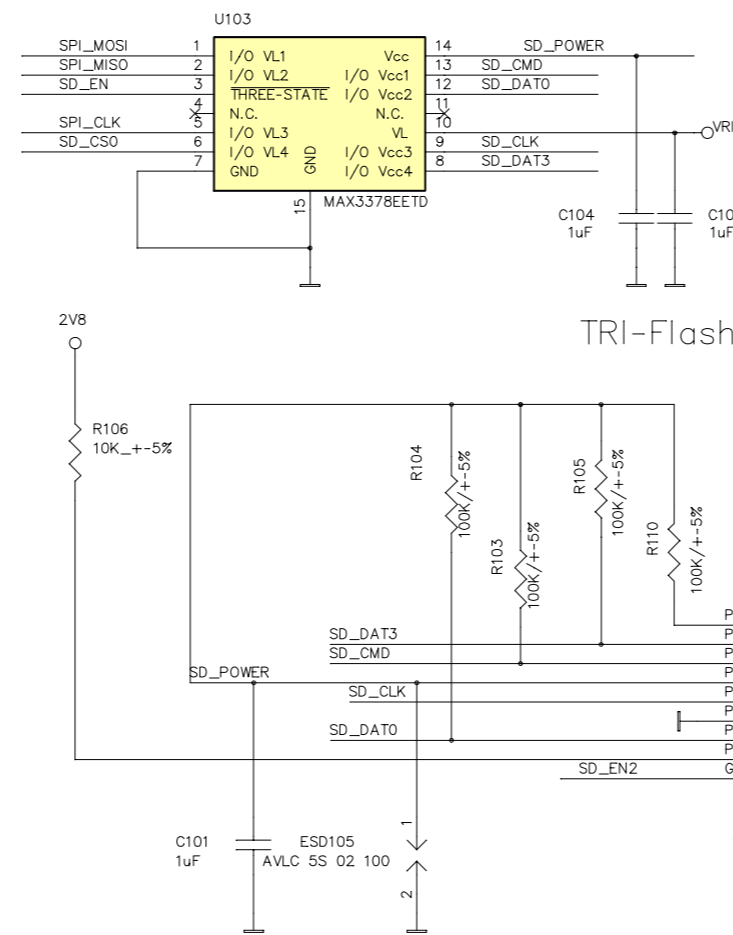
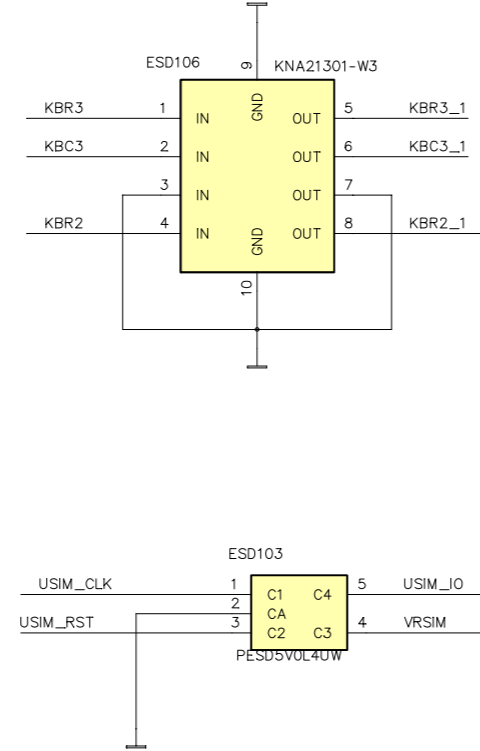
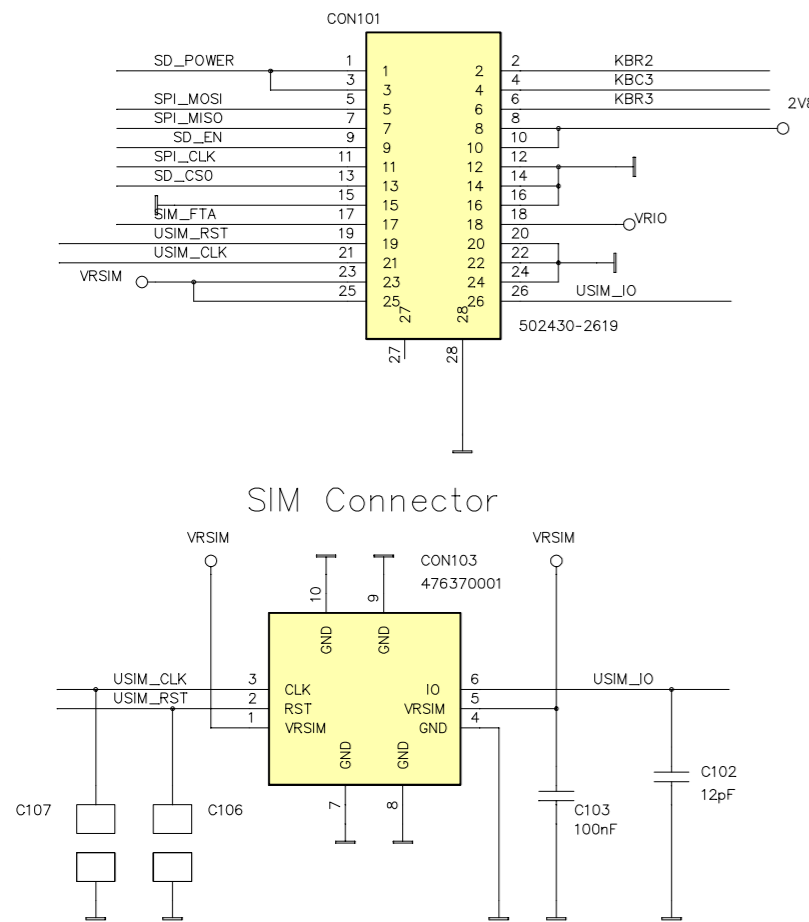
Vibrator

Please place L2 as close vibrator pin as possible

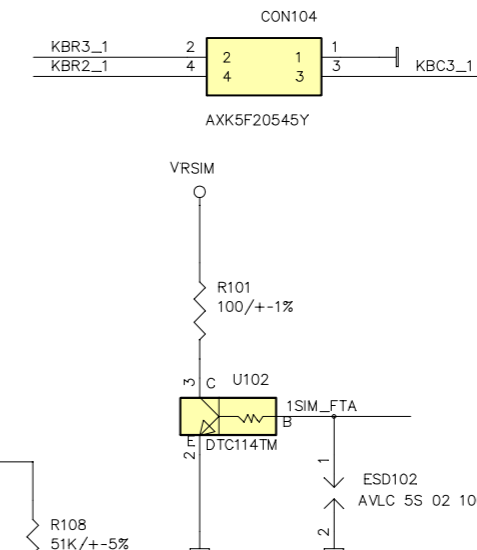
Note:  
 U\_CAM\_RST (Master Reset (Active Low))  
 U\_CAM\_PWN (Stand-by Mode(Active Hight))  
 VRIO[DVDD] is Core digital power: 1.8V.  
 2V8[AVDD] is Analog power: 2.8V.  
 VRIO[DOVDD] is I/O digital power:1.8V.



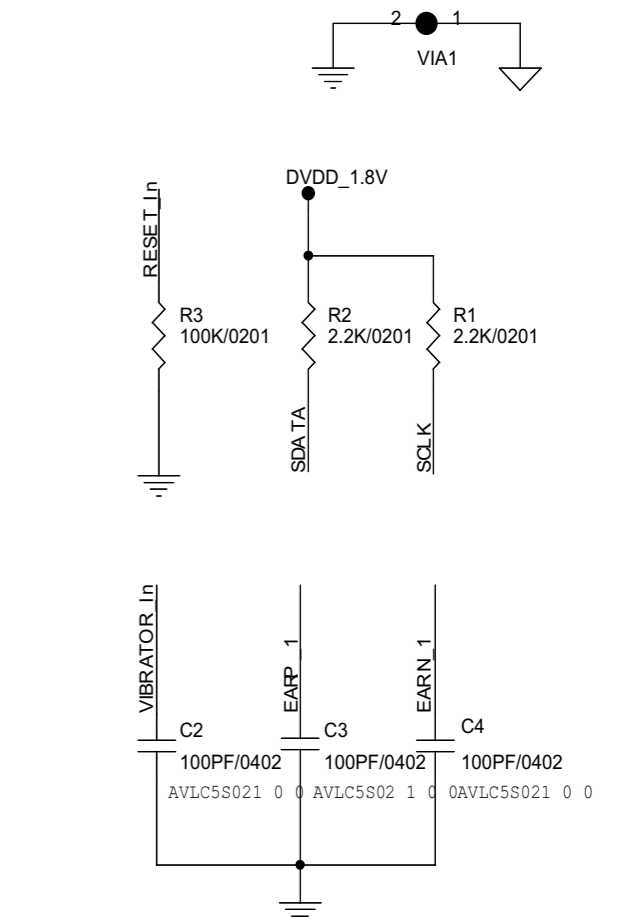
B2B Header have to confirm with ME



Side Key



For SIM FTA purpose



## Camera FPC

## Shielding FPC circuit (daughter board)

EM325\_SB0DUO1TGOF