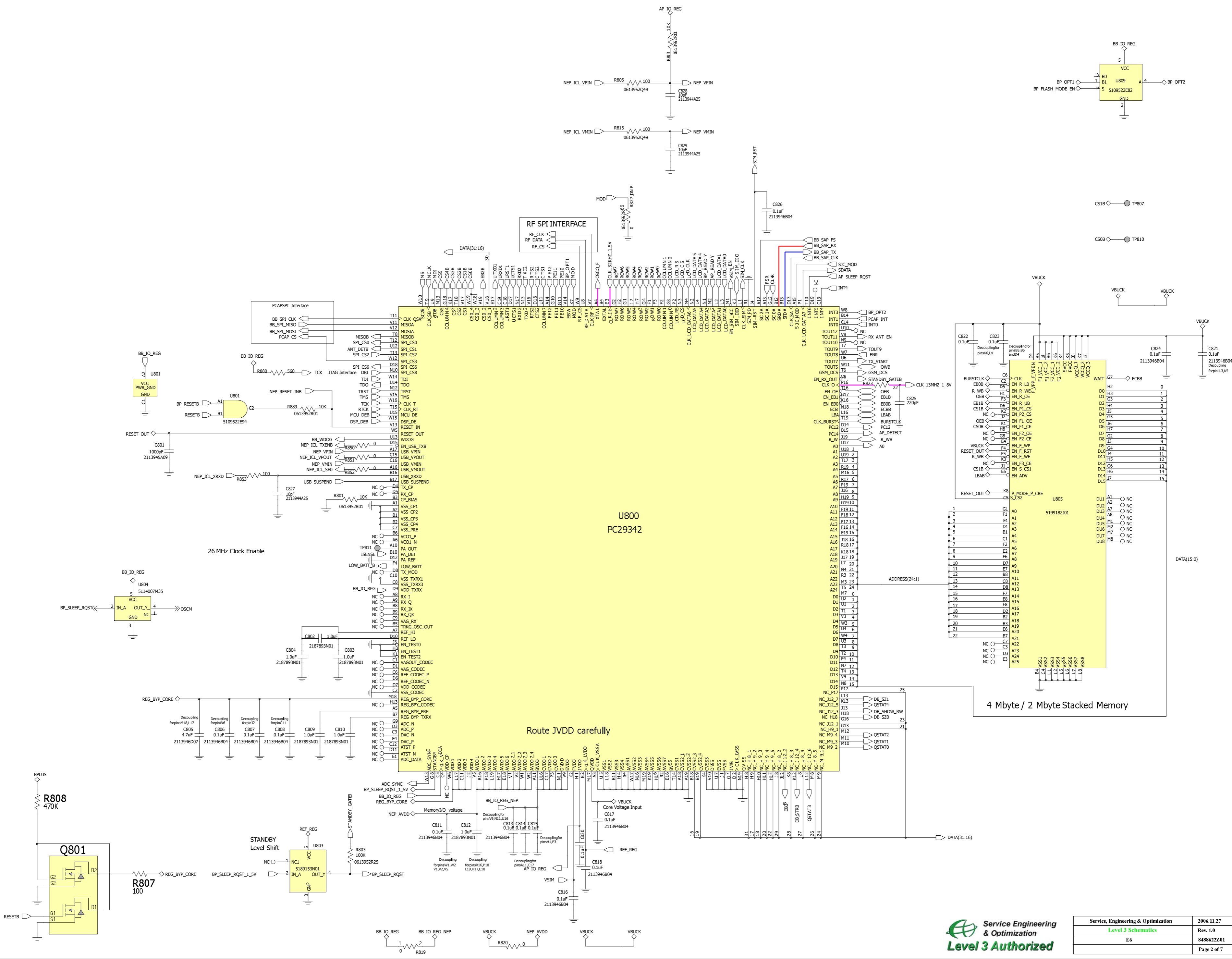


E6_848862Z01

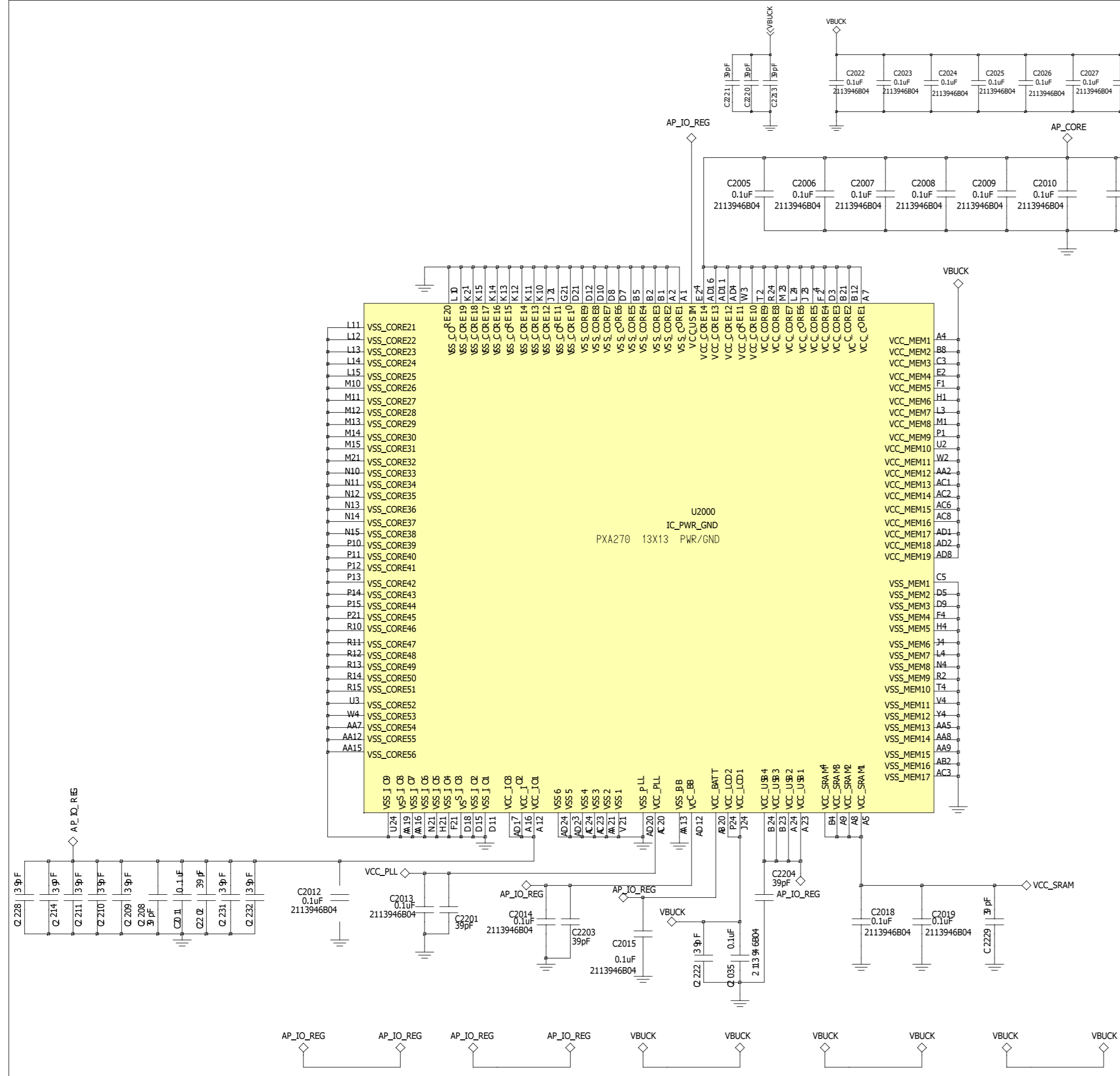
E6_848862Z01



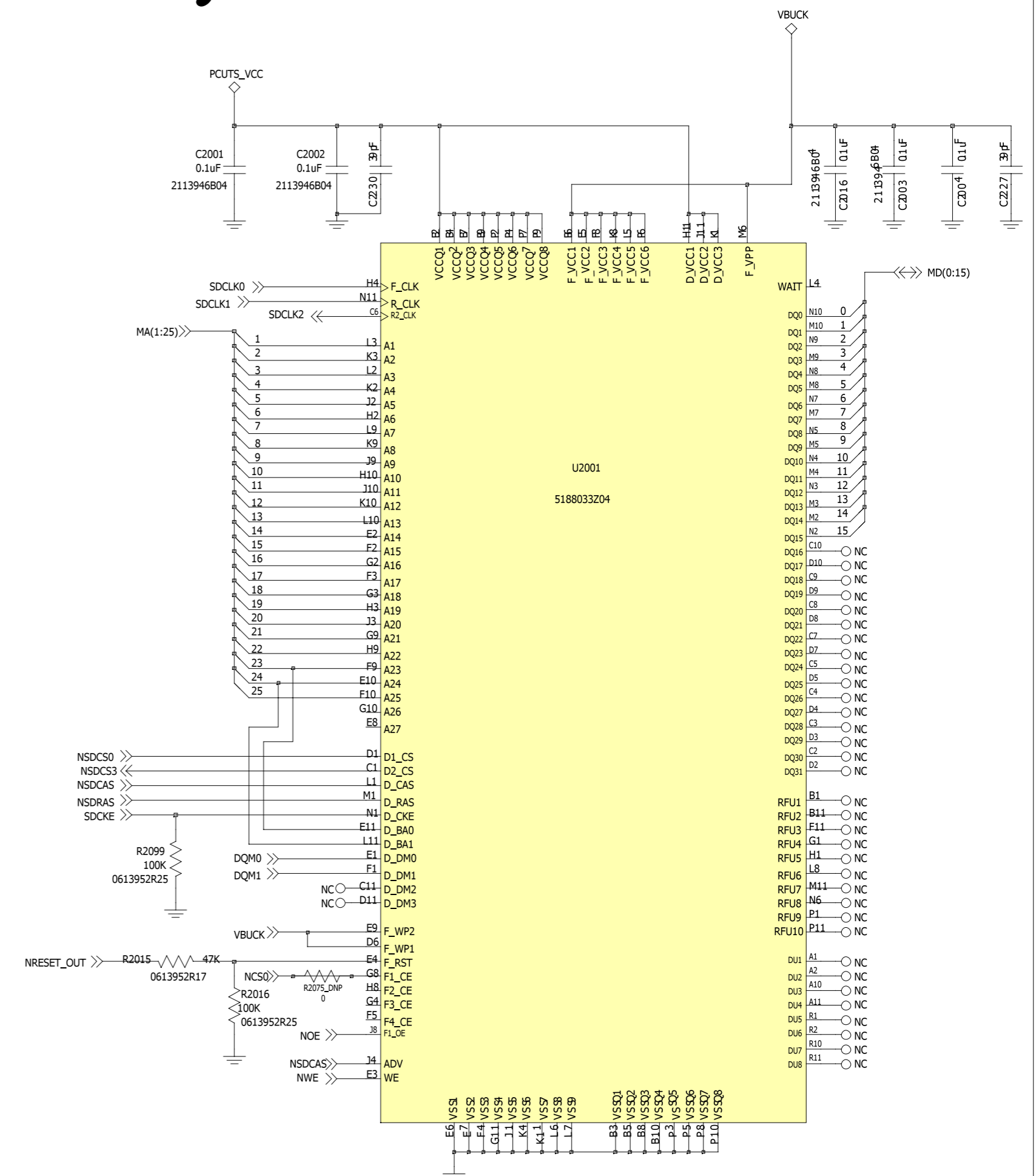
Service Engineering & Optimization
 Level 3 Schematics
Level 3 Authorized

Service, Engineering & Optimization	2006.11.27
Level 3 Schematics	Rev. 1.0
E6	848862Z01
	Page 2 of 7

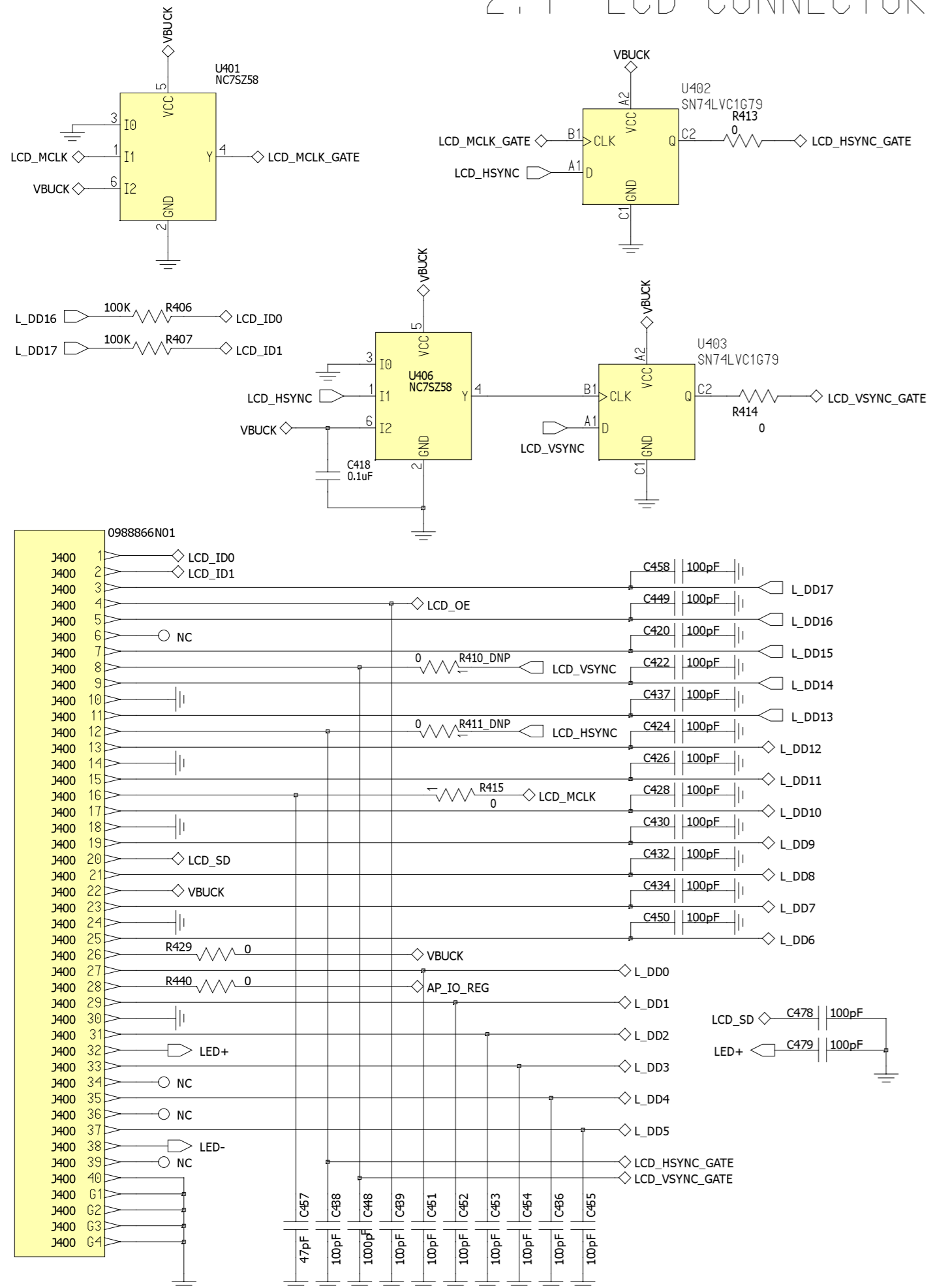
E6_8488622Z01



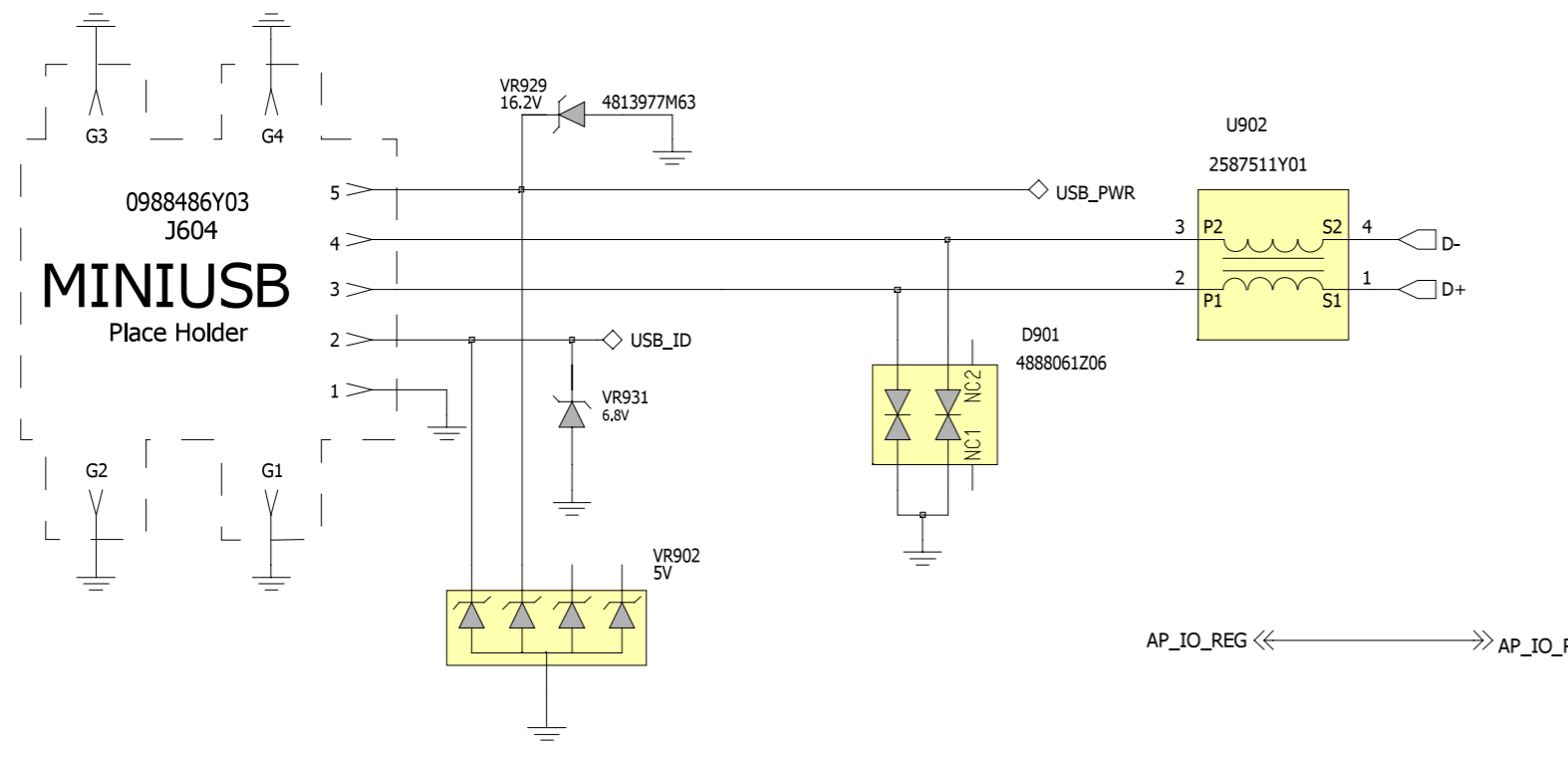
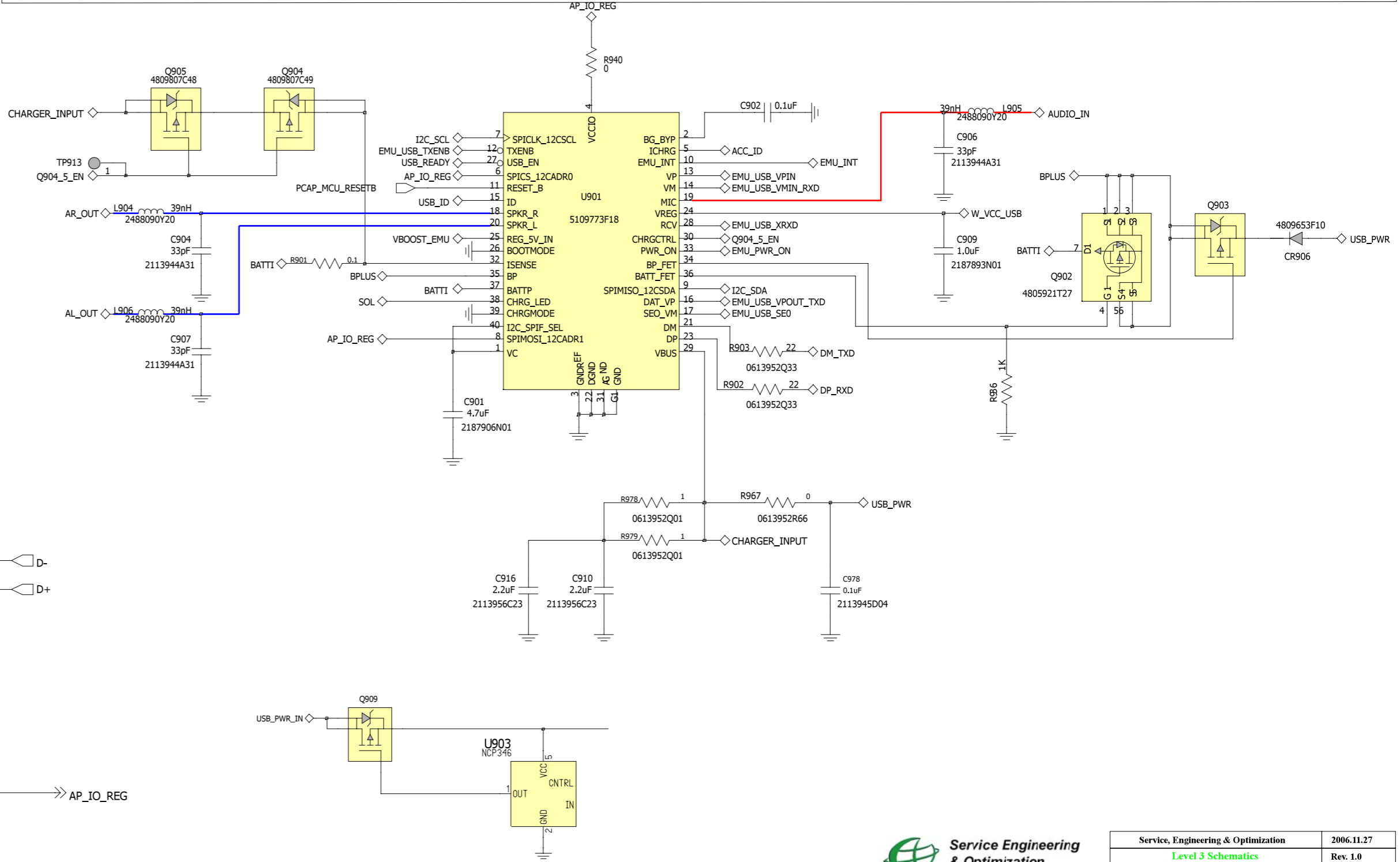
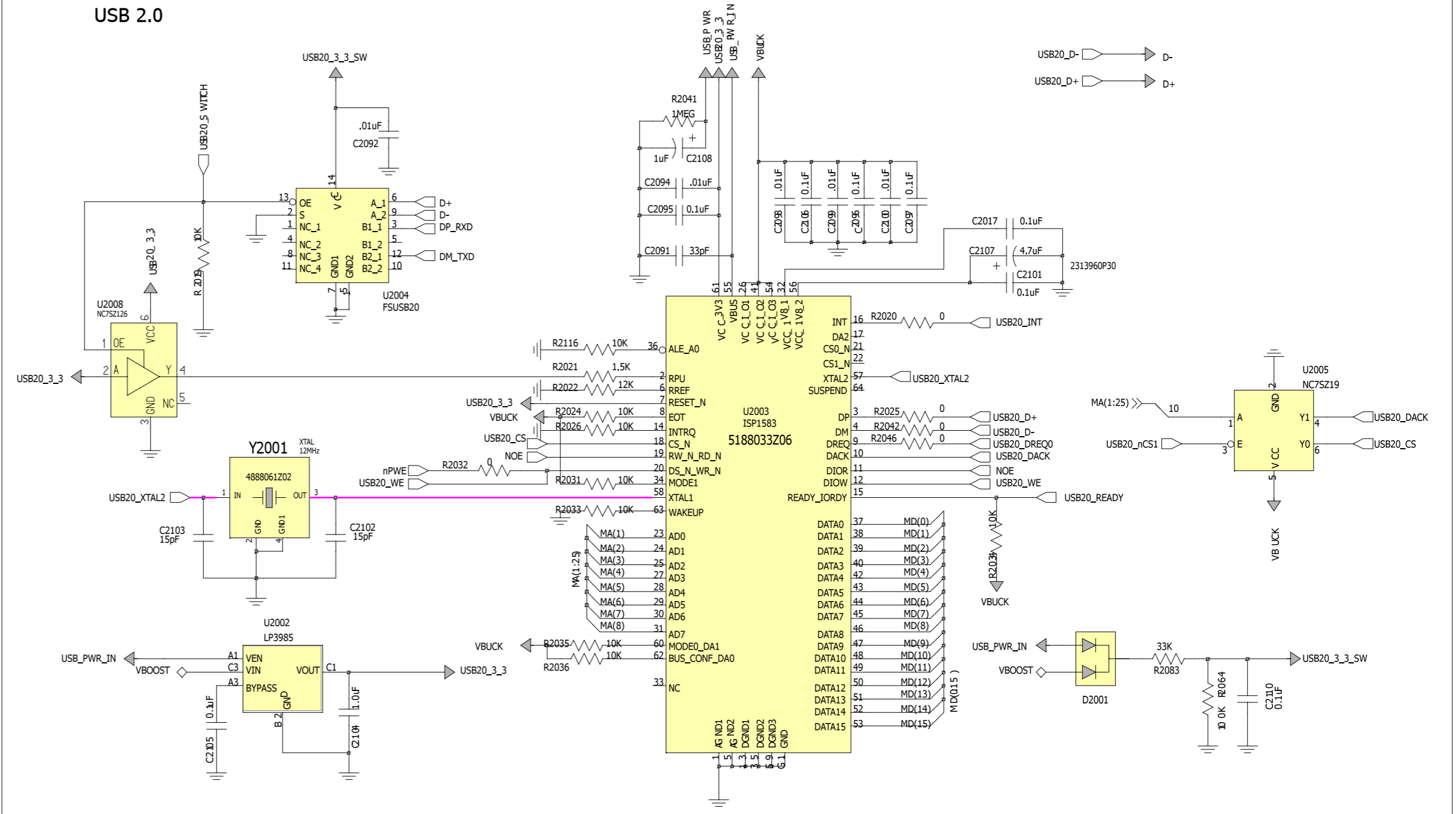
Memory



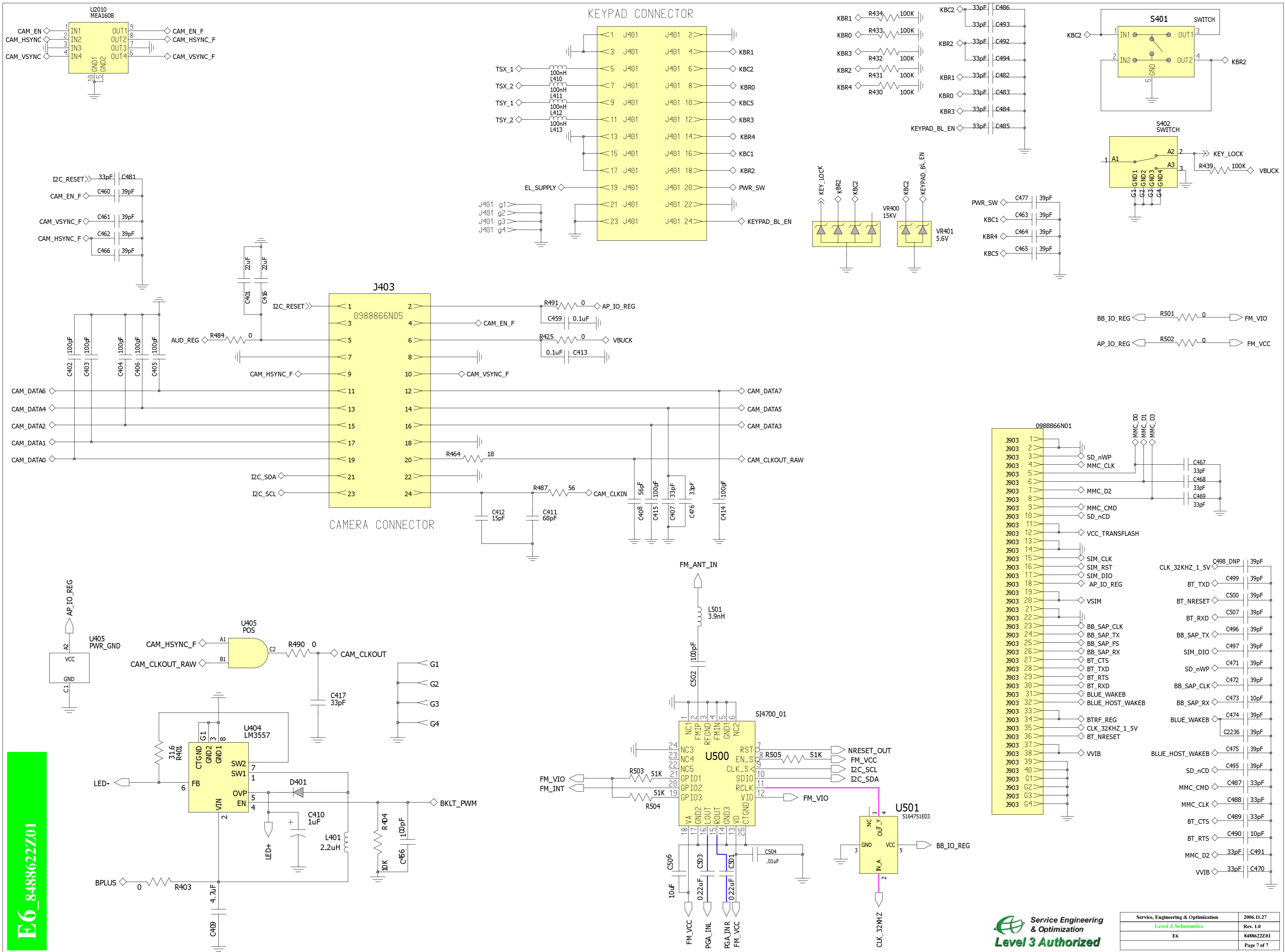
2.4" LCD CONNECTOR



USB 2.0



E6_8488622Z01



E6_8488622Z01