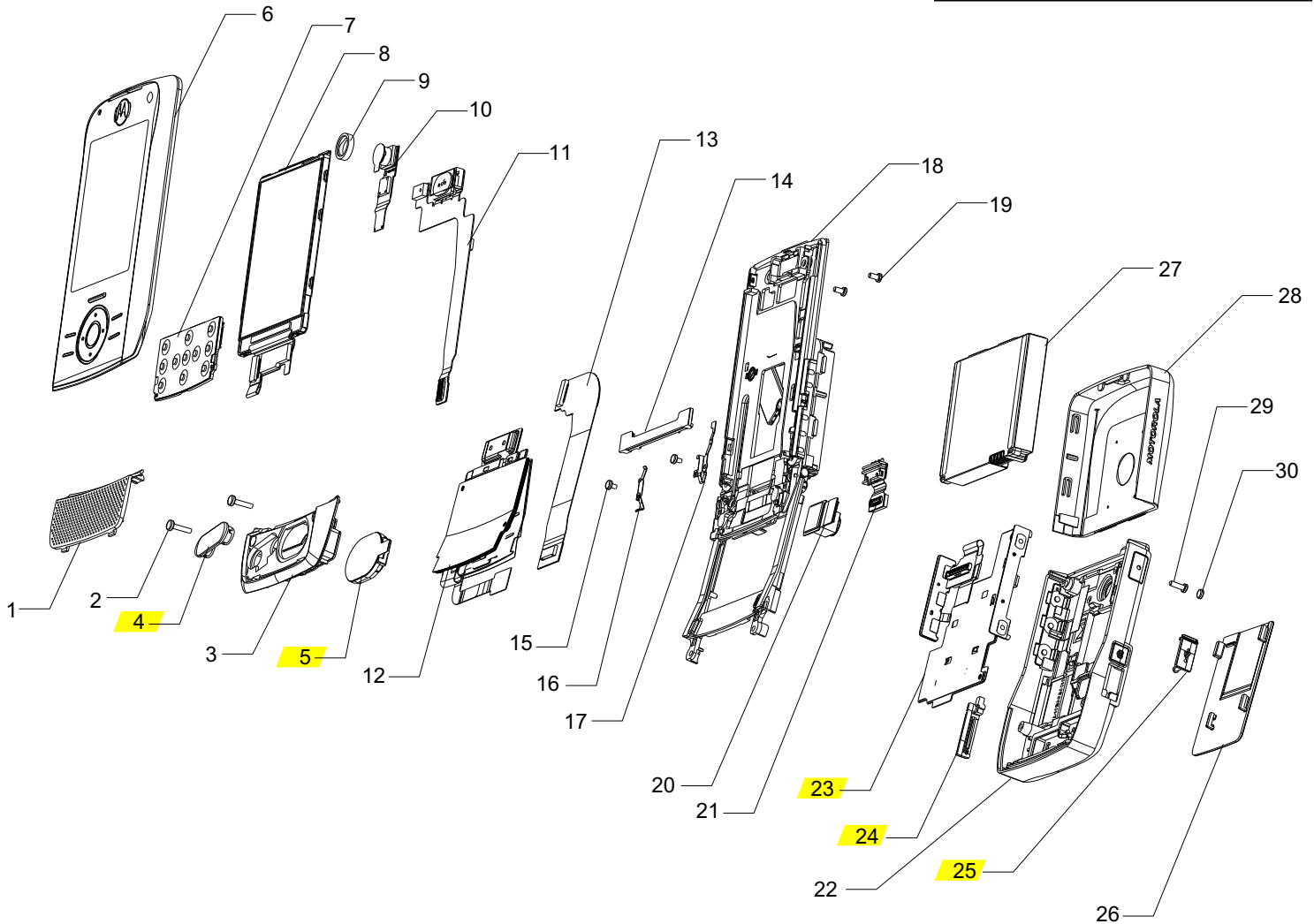


Item No.	Motorola Part No.	Description
-	0103579P01	Slider Module Assy
1	0103582P01	Cover Alert Speaker
2	0303529E05	Screw K15x8.5mm
3	0103597E02	Endo Audio Assy
4	0503578C18	Grommet RF
5	0103564P01	Alert Speaker
6	TBA	Front Housing Assy
7	0103580P01	Keyboard Navigation
8	7271449E01	Display Assy
9	1503579B14	Grommet Camera VGA
10	0103562E01	Camera VGA
11	0103666E04	Flex Slider Module
12	0103509P02	Keyboard Assy
13	0103664E02	Flex Dynamic
14	0703577C39	Bridge Support Assy
15	0371235E01	Screw M1.2x1.75mm

Item No.	Motorola Part No.	Description
16	4203641D10	Grounding Clip Left
17	4203641D11	Grounding Clip Right
18	0103535E02	Slider Assy
19	0303529E03	Screw M1.4x2.5mm
20	0103560E01	Camera MPXL
-	1503608E01	Grommet Camera MPXL
21	0103613P01	Flex Assy Battery
22	0103515P02	Rear Housing Assy
23	0103698E02	Expansion PCB Assy
24	0503578C11	Grommet TransFlash Card
25	0503578C10	Grommet USB
26	CFHN9093A	Bezel SIM Card
27	SNN5792A	Battery
28	CFHN9089A	Battery Door
29	0303529E04	Screw M1.6x4.5mm
30	0503578C22	Screw Cover
-	1503579B13	Grommet Microphone

Table 1.00

 = part of assembly



REVISIONS	
European	2007.03.05
Level 1-2 Parts List	Version 1.0
Product Name:	Z8
	Page 1 of 2

