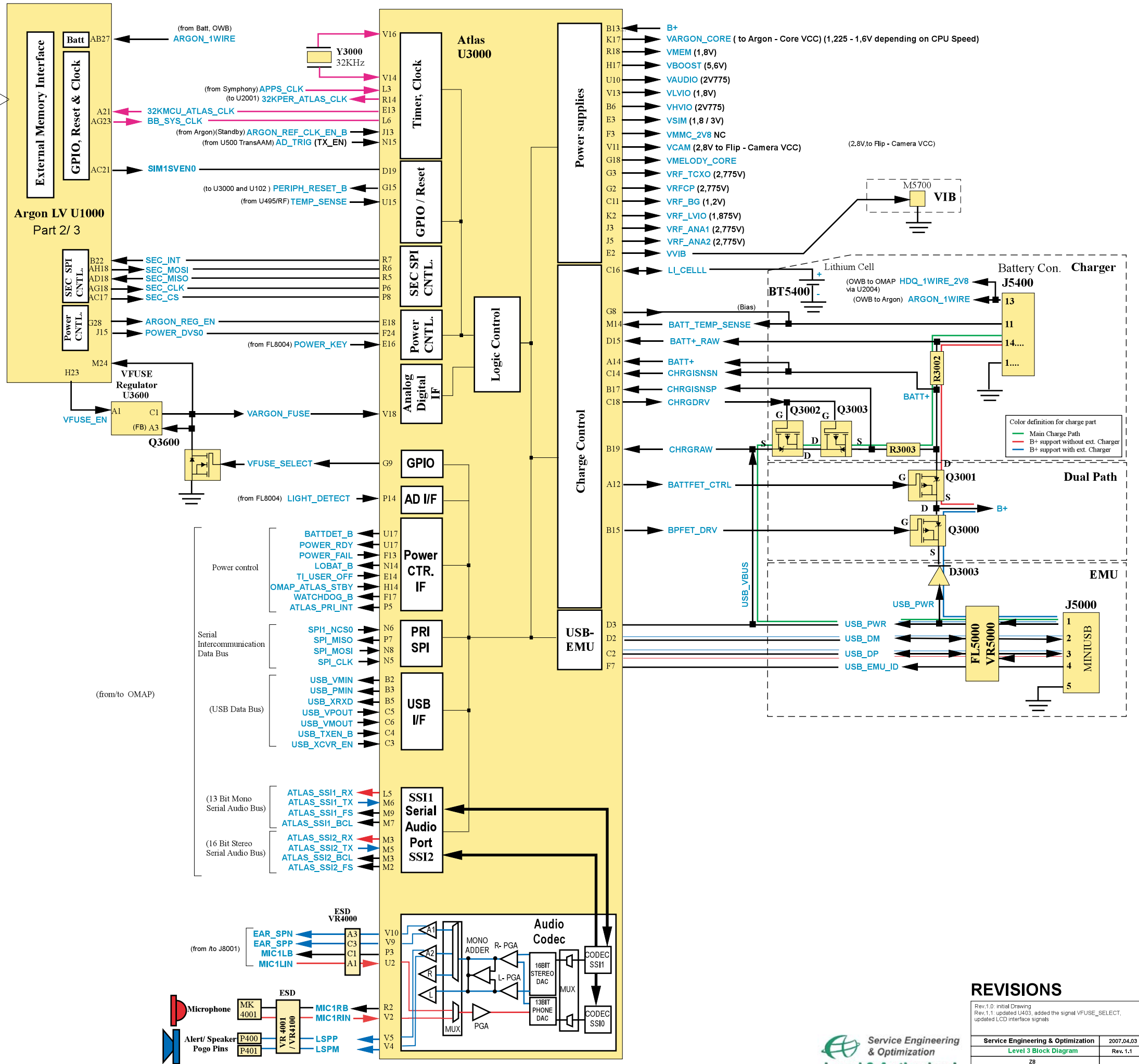
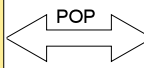
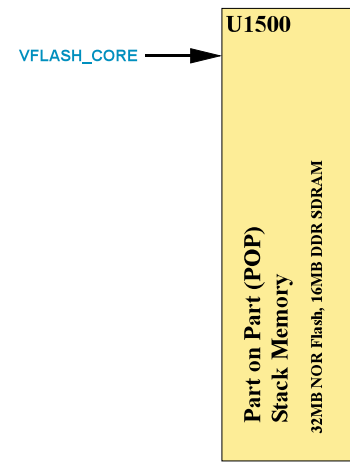


PA Power Control selection via VRAMP, TX\_HB and TX\_LB  
 1: IPC: Input Power Control mode - for EDGE mode  
 (PA gain is fixed - PA input signal level varies)  
 2: BCM: Bias Control mode - for GSM/EDGE mode  
 (PA gain varies according to power step - the PA input level is fixed)

REVISIONS	
Rev. 1.0: Initial Drawing	
Rev. 1.1: updated U403, added the signal VFUSE_SELECT, updated LCD interface signals	
Service Engineering & Optimization	2007.04.03
Level 3 Block Diagram	Rev. 1.1
Z8	
Service Training and Documentation	Page 1 of 3

Service Engineering & Optimization  
 Level 3 Authorized



**REVISIONS**

Rev.1.0: initial Drawing  
Rev.1.1: updated U403, added the signal VFUSE\_SELECT, updated LCD interface signals

Rev.	Description	Date
Rev.1.0	initial Drawing	2007.04.03
Rev.1.1	updated U403, added the signal VFUSE_SELECT, updated LCD interface signals	Rev. 1.1

Service Engineering & Optimization 2007.04.03  
Level 3 Block Diagram Rev. 1.1  
Z8  
Service Training and Documentation Page 2 of 3

# REVISIONS

Rev. 1.0 Initial Drawing	
Rev. 1.1 updated U403, added the signal VFUSE_SELECT, updated LCD interface signals	
Service Engineering & Optimization	2007_04_03
Level 3 Block Diagram	Rev. 1.1
Z8	
Service Training and Documentation	Page 3 of 3

