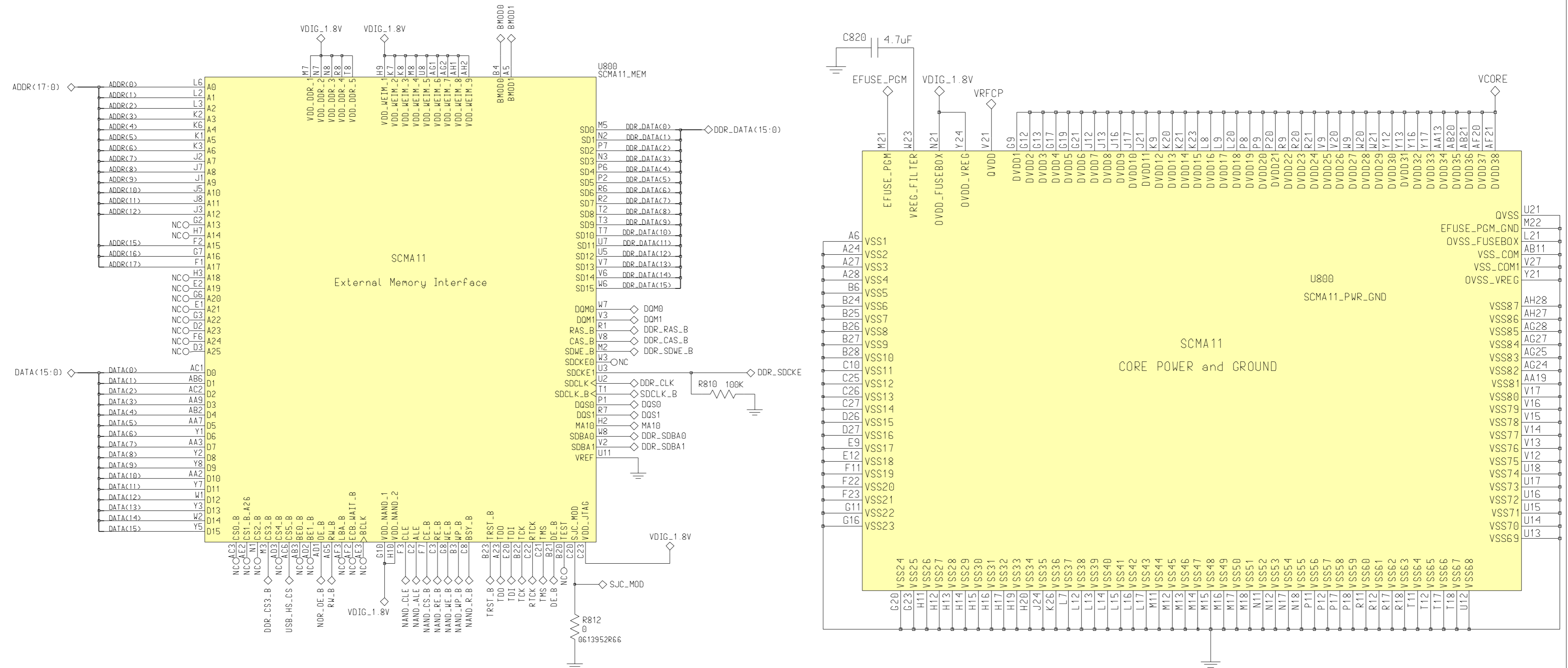
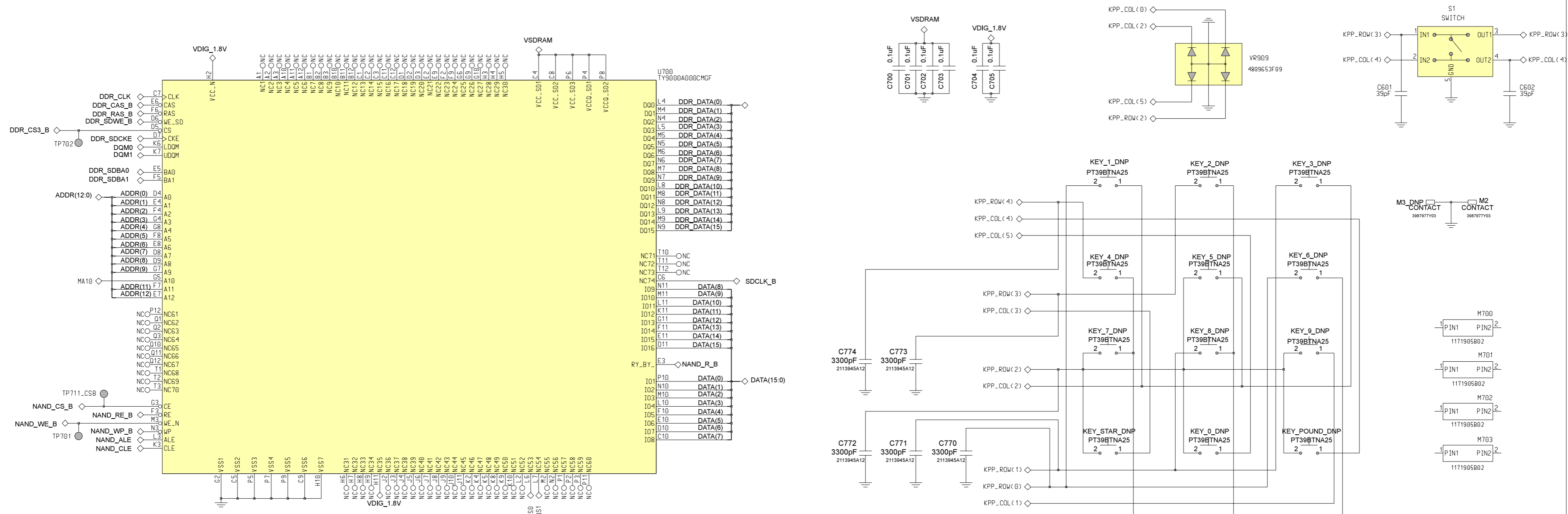


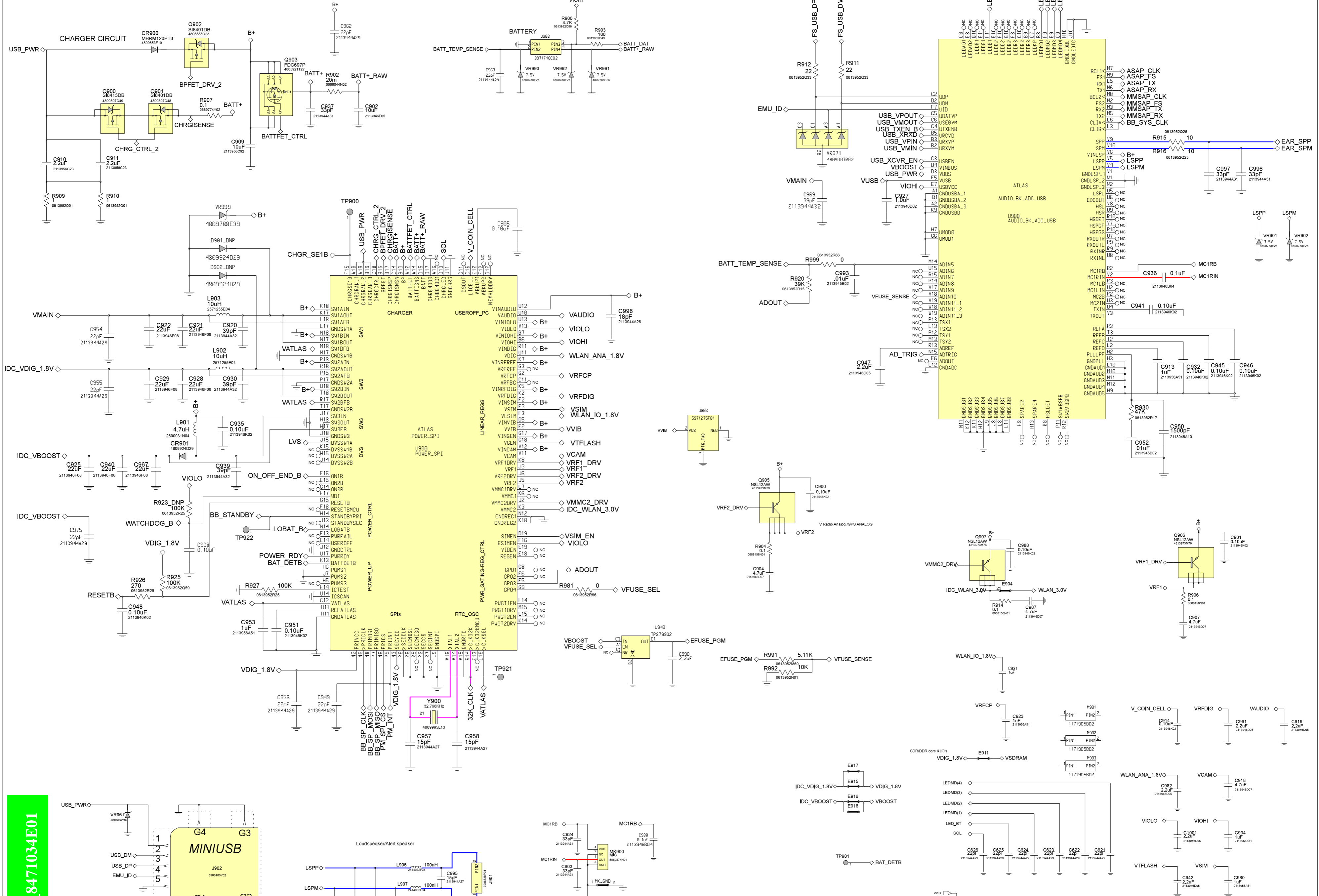
Z6_8471034E01



Memory

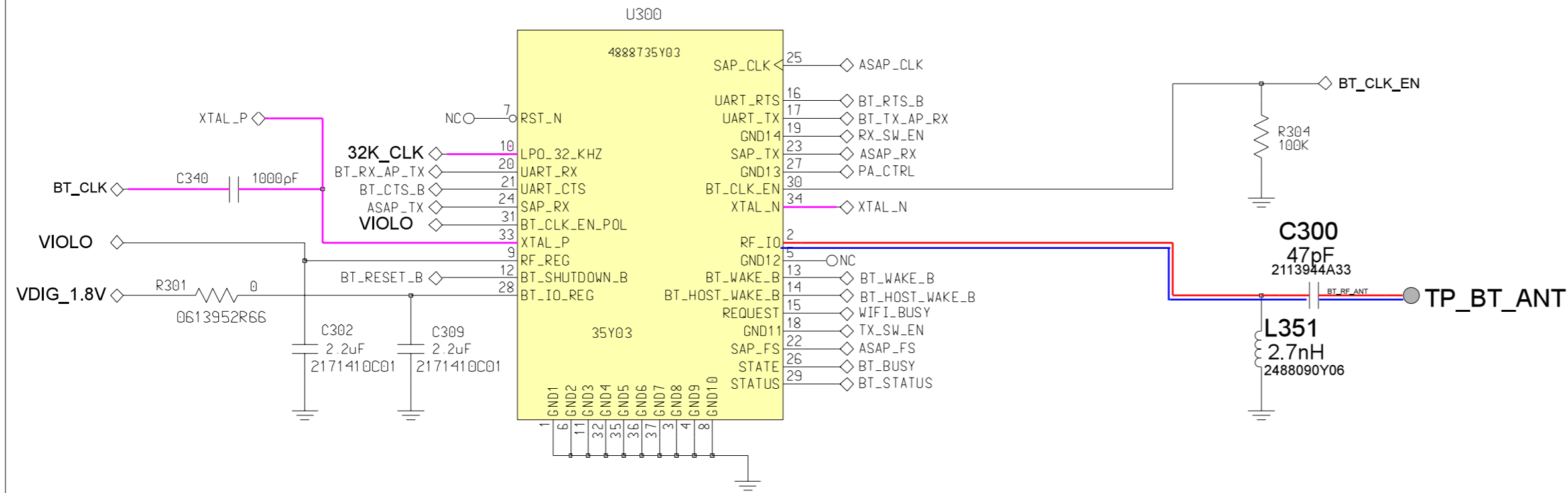


Z6_8471034E01

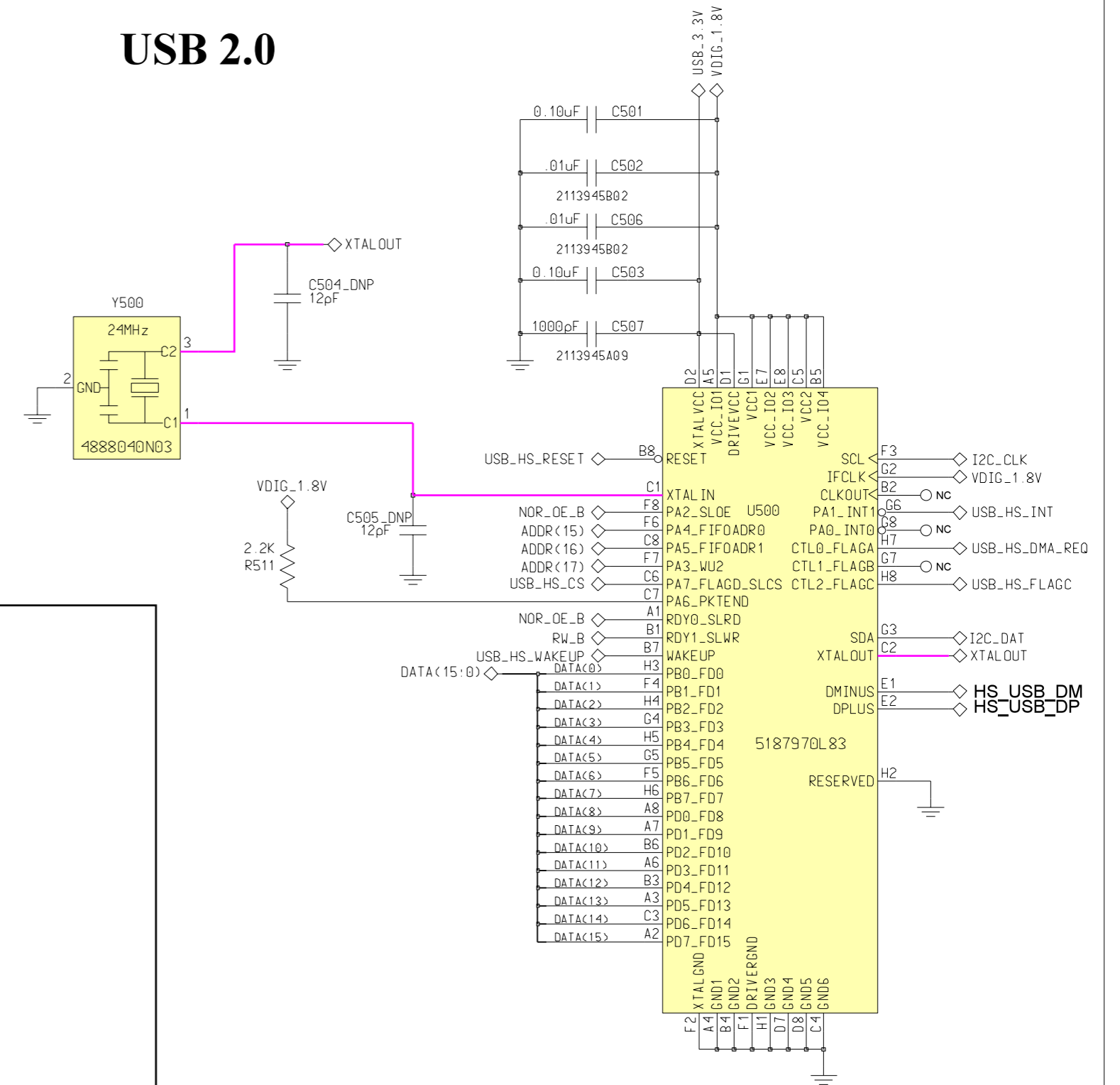


Z6_8471034E01

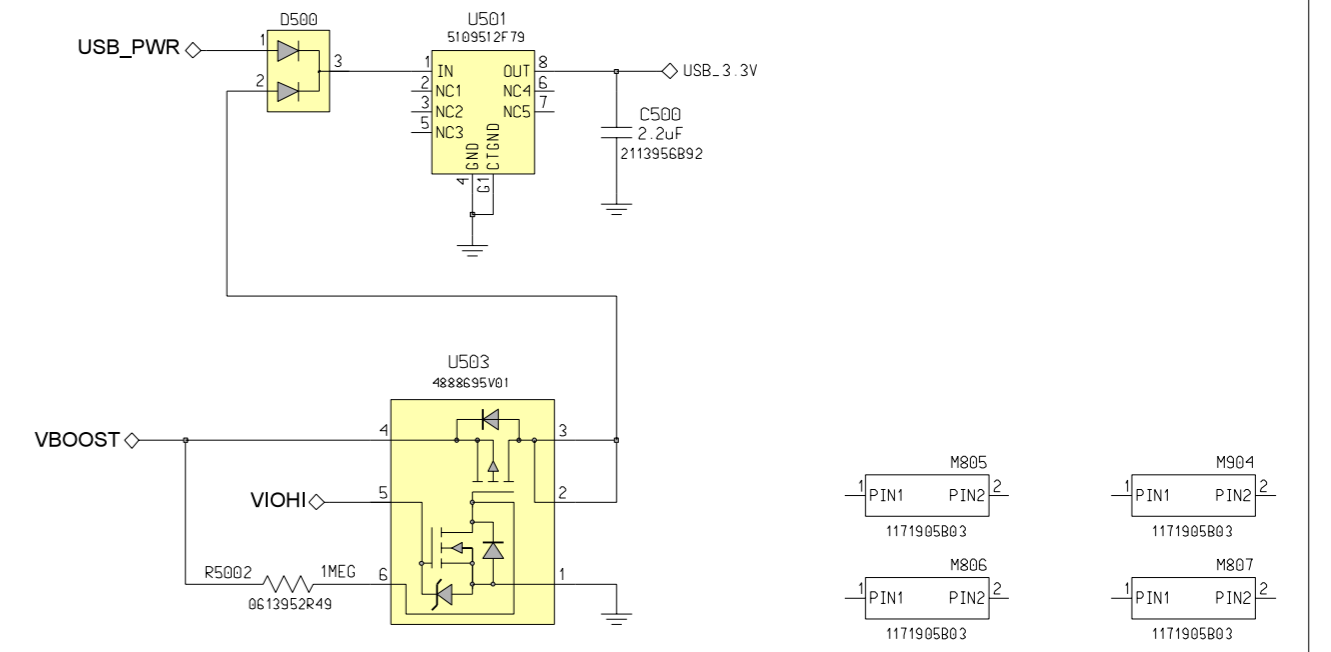
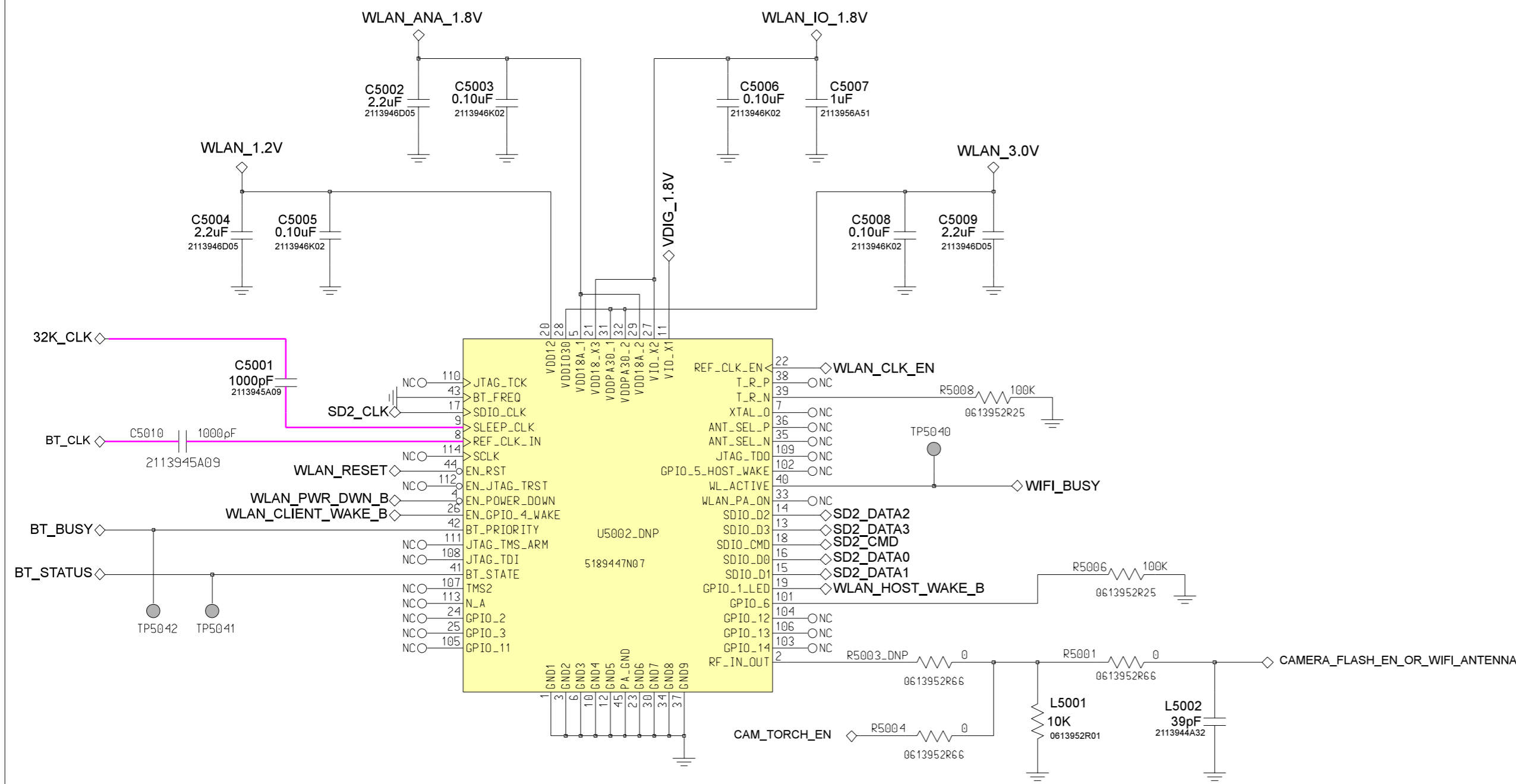
Bluetooth



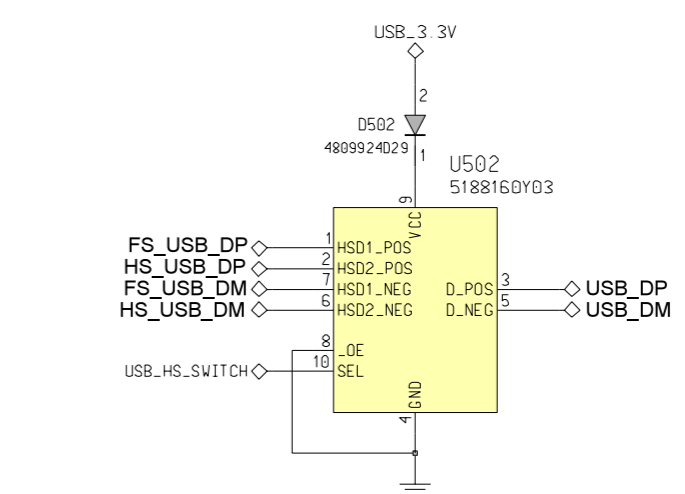
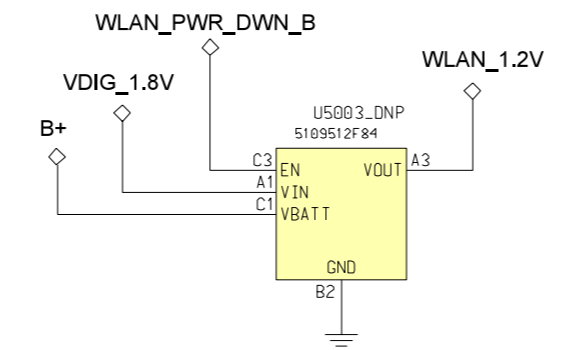
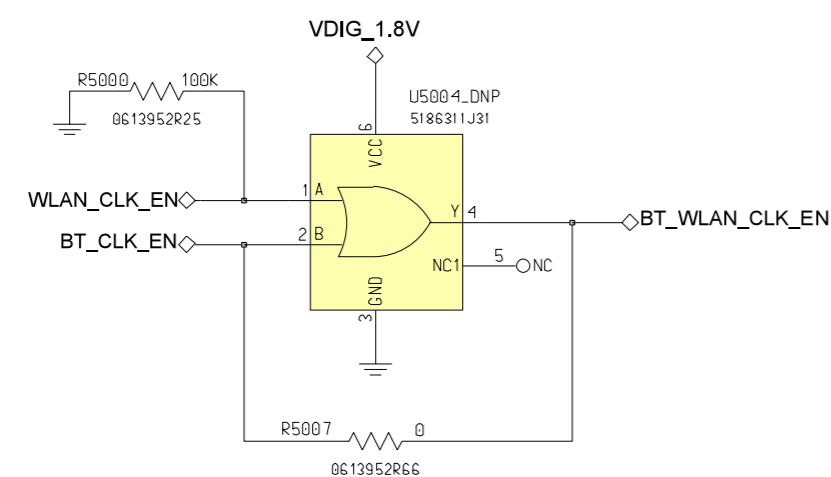
USB 2.0



WiFi



Z6_8471034E01



Service Engineering & Optimization
Level 3 Authorized

Service Engineering & Optimization	2007.07.02
Level 3 Schematics	Rev. 1.0
Z6	8471034E01
	Page 6 of 7

Z6_8471034E01

