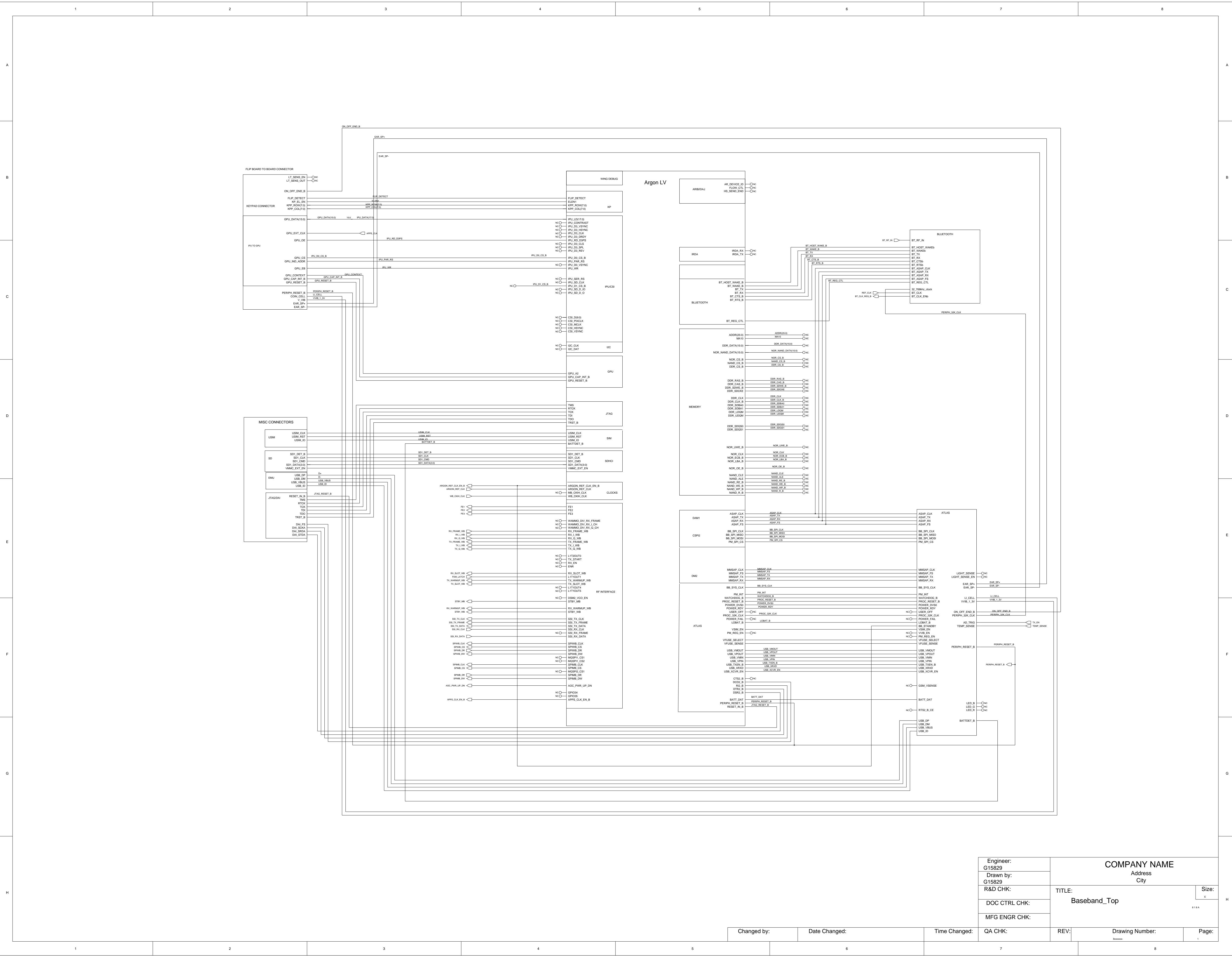




Engineer W16564 / W16224	COMPANY NAME Address City		
Drawn by W16564 / W16224			
R&D CHK	TITLE Volans EMEA P0	Size D	
DOC CTRL CHK			
MFG CTRL CHK			
QA CHK	REV	Drawing Number	Sheet of

Changed by	Date Released Wednesday, February 8, 2006	Time
------------	--	------



Engineer: G15829	COMPANY NAME Address City		Size: 4
Drawn by: G15829			
R&D CHK:	TITLE: Baseband_Top	REV: _____	
DOC CTRL CHK:	Drawing Number: _____		
MFG ENGR CHK:	QA CHK:	Page:	1

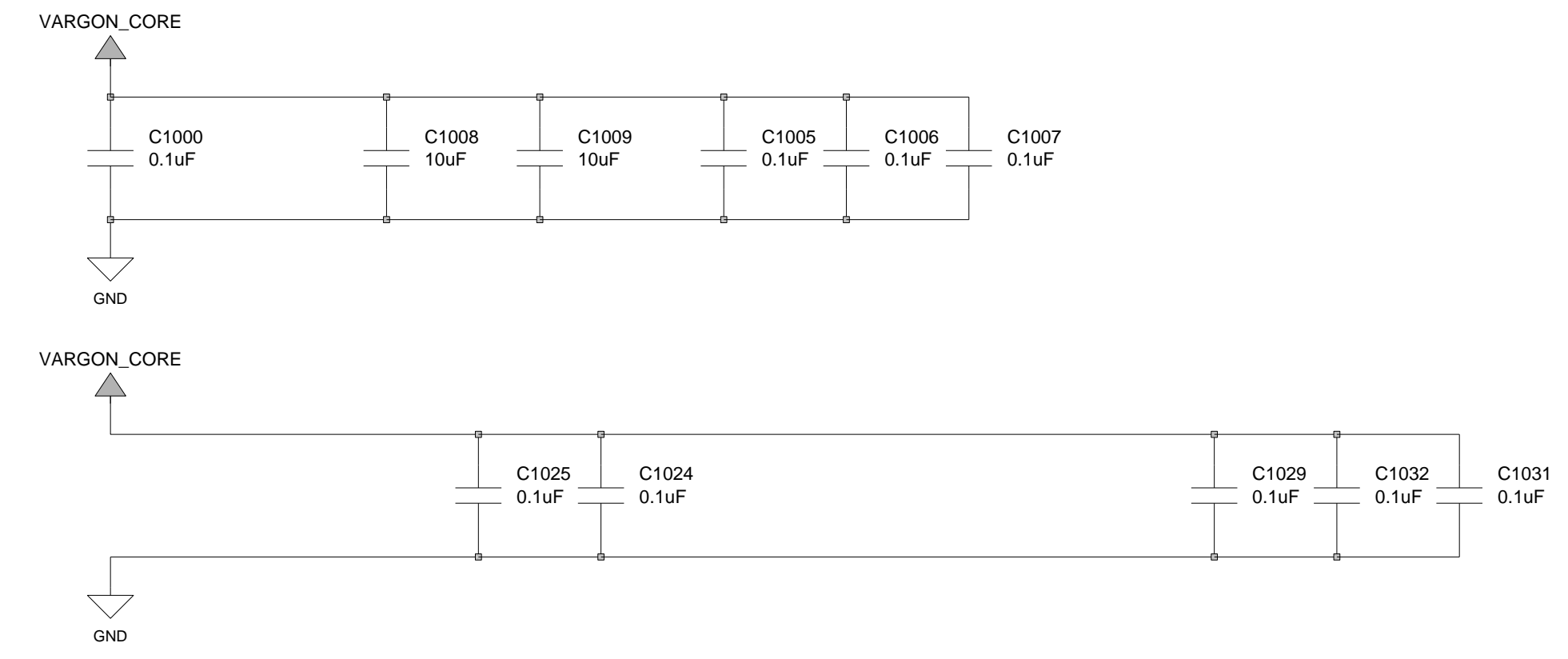
Changed by:	Date Changed:	Time Changed:	REV:	Page:
-------------	---------------	---------------	------	-------

MOTOROLA CONFIDENTIAL PROPRIETARY

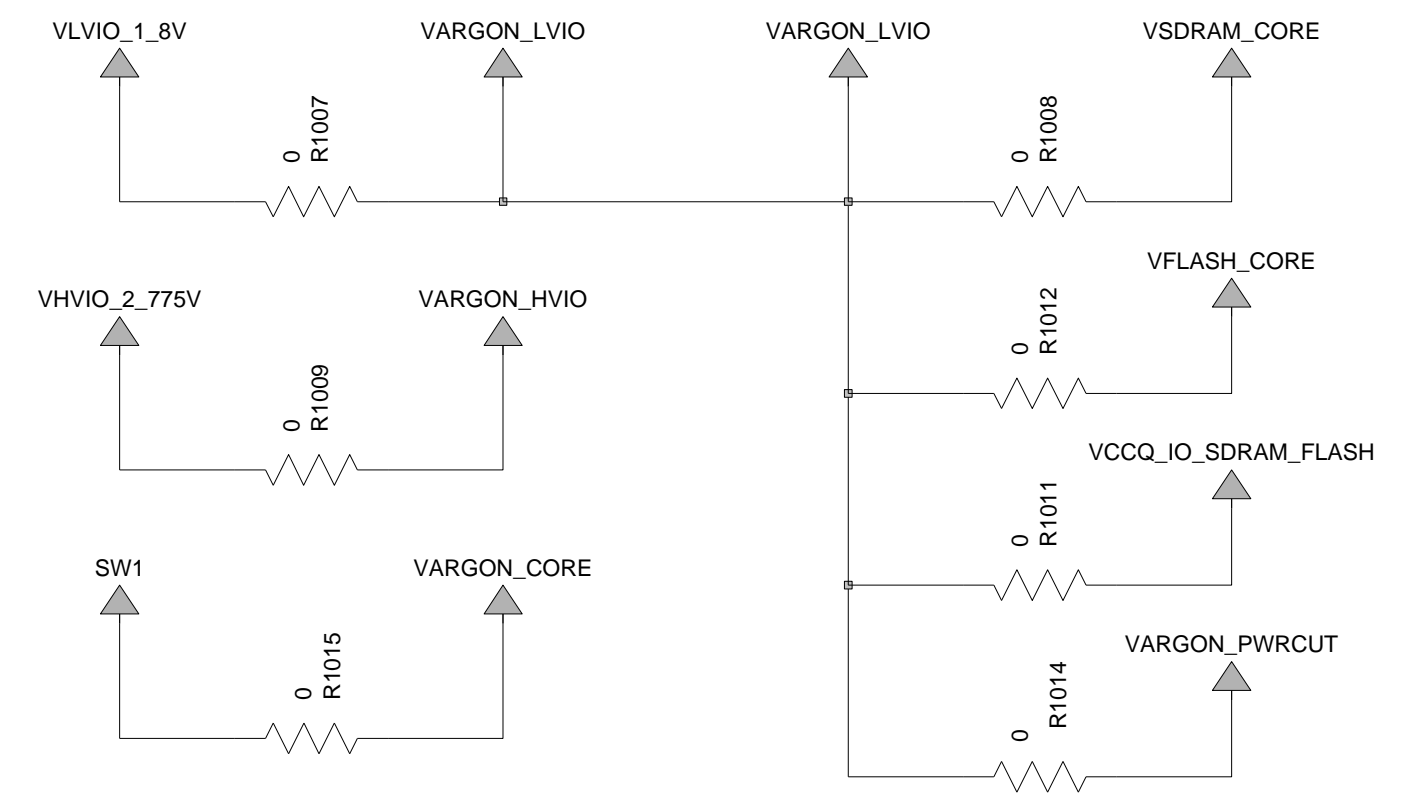
4 1 3 A

Engineer: G15829			
Drawn by: G15829			
R&D CHK:		TITLE: ARGON Core_Power	Size: 11x17
DOC CTRL CHK:		REV:	Page: Of:
MFG CTRL CHK:		Drawing Number:	Time:
QA CHK:		Date:	
Changed by:			

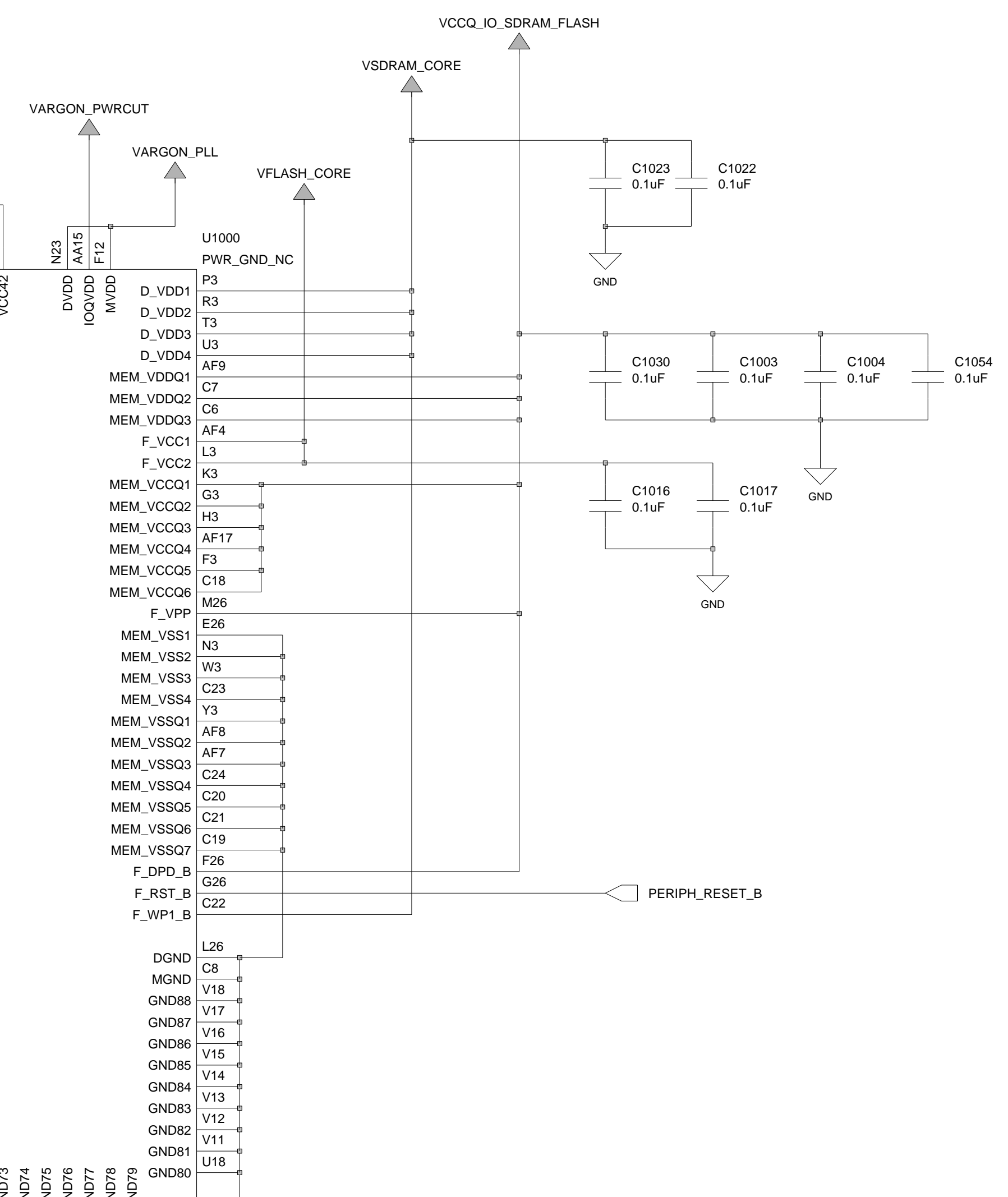
A



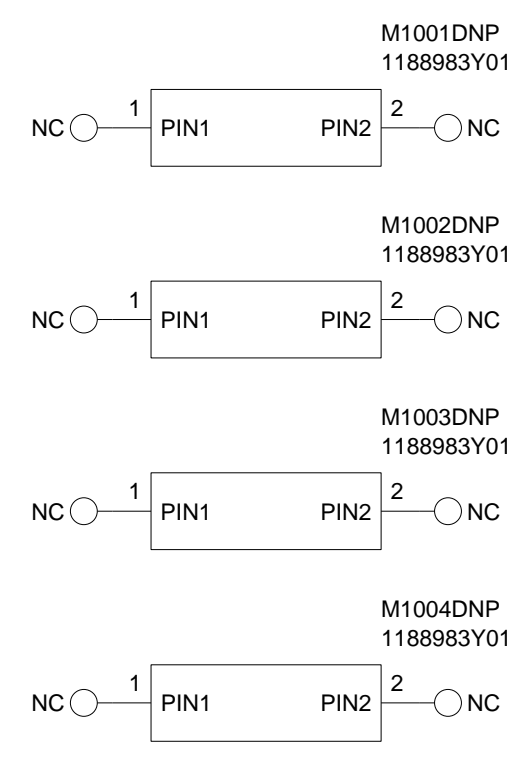
2



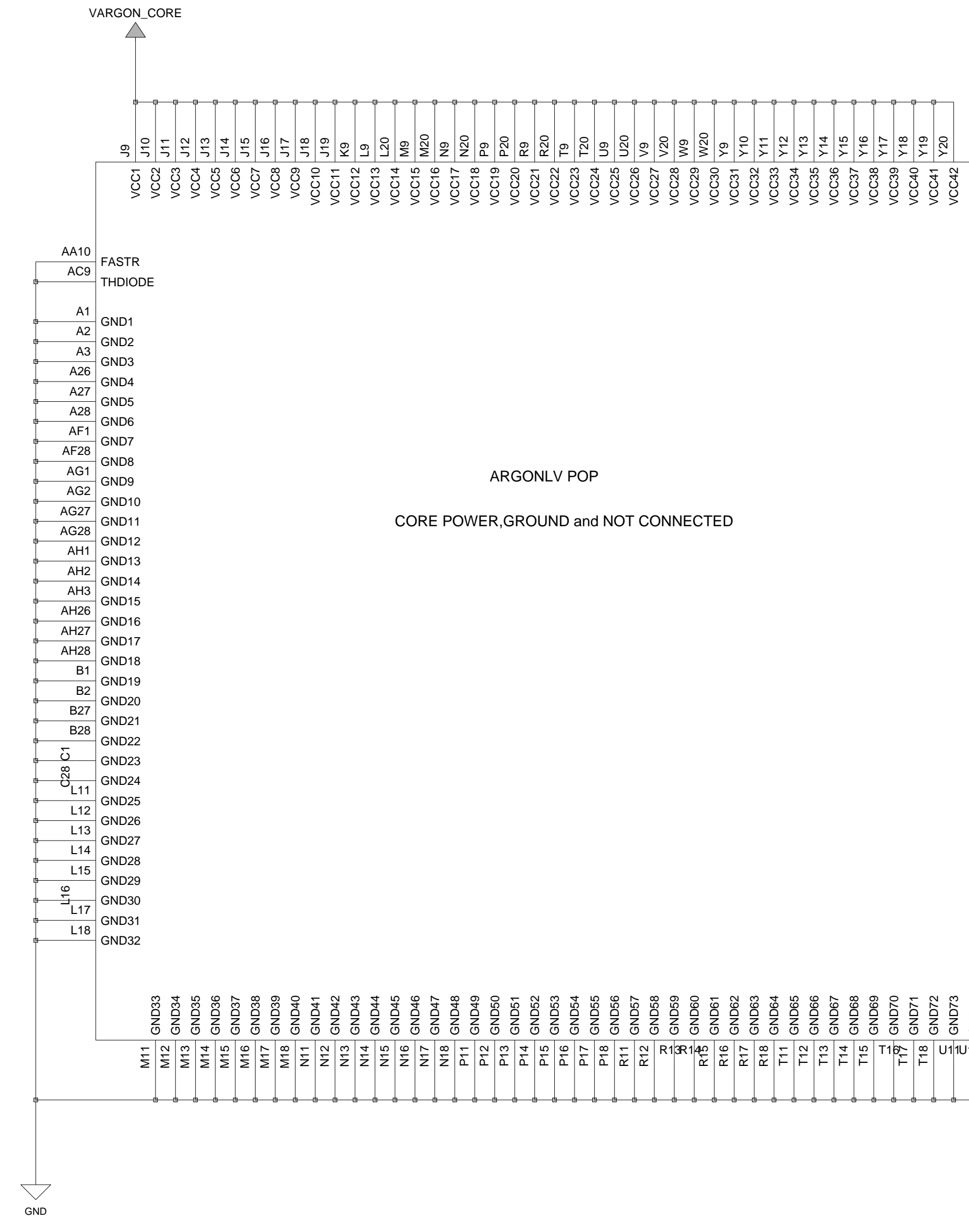
3



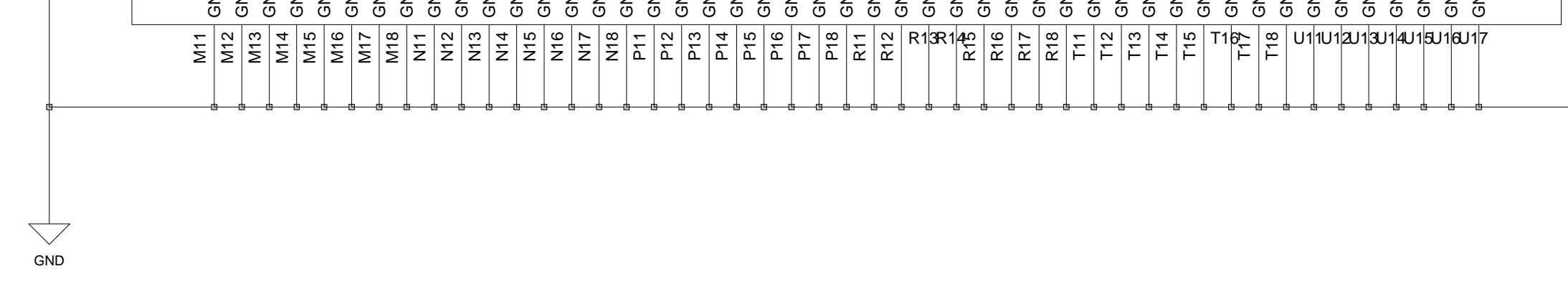
B

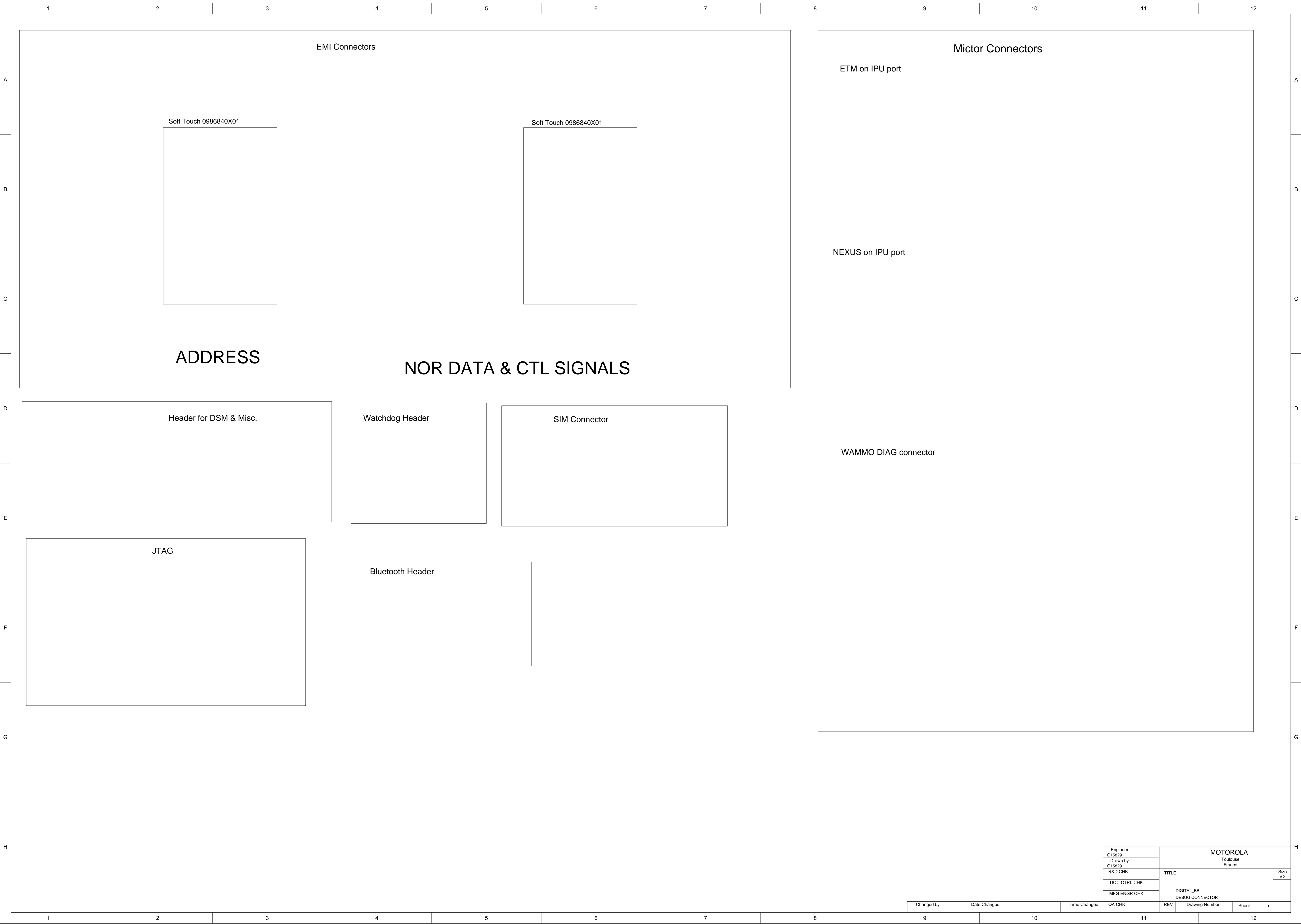


C



D





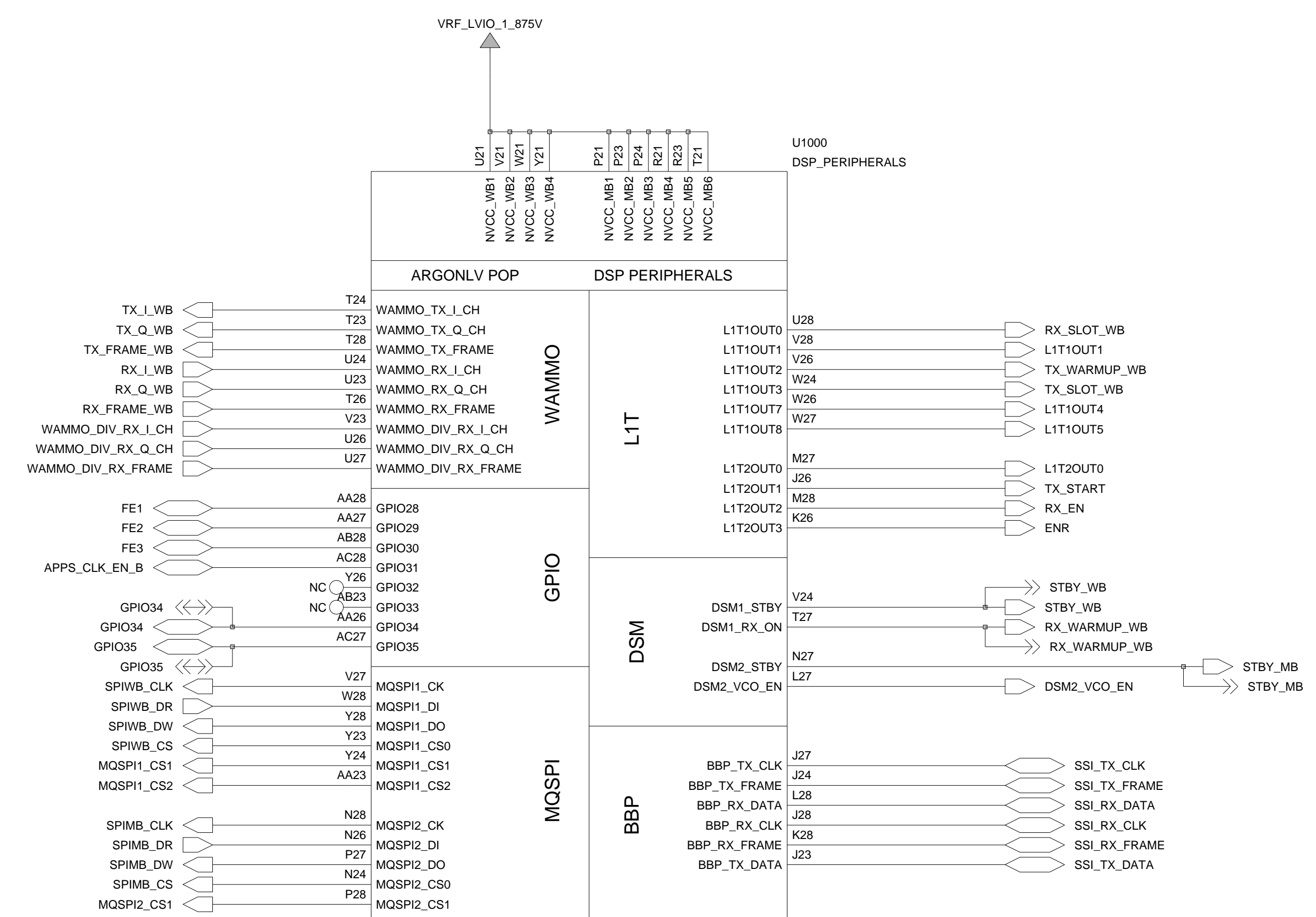
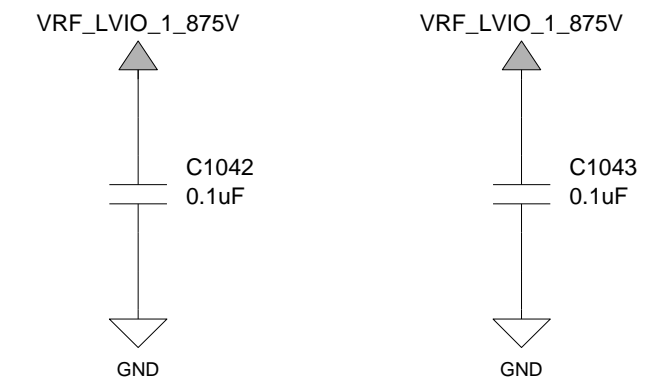
Engineer G15829	MOTOROLA Toulouse France		
Drawn by G15829	TITLE	Size A2	
R&D CHK	DIGITAL_BB DEBUG CONNECTOR		
DOC CTRL CHK			
MFG ENGR CHK			
QA CHK	REV	Drawing Number	Sheet of

Changed by	Date Changed	Time Changed
------------	--------------	--------------

MOTOROLA CONFIDENTIAL PROPRIETARY

4 1 3 A

Engineer: G15829			
Drawn by: G15829			
R&D CHK:		TITLE: ARGON DSP	Size: 11x17
DOC CTRL CHK:			
MFG CTRL CHK:			
QA CHK:	REV: 8xxxxxxxx	Drawing Number:	Page: Of:
Changed by:	Date:	Time:	



A

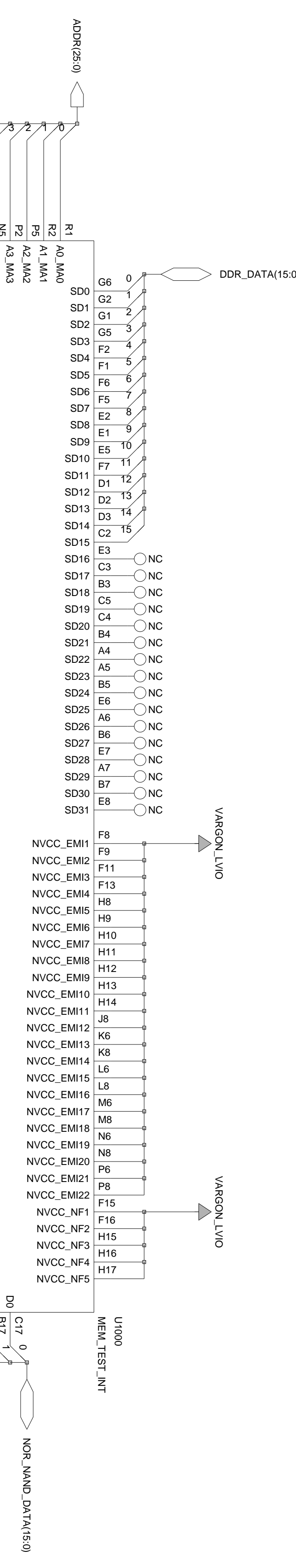
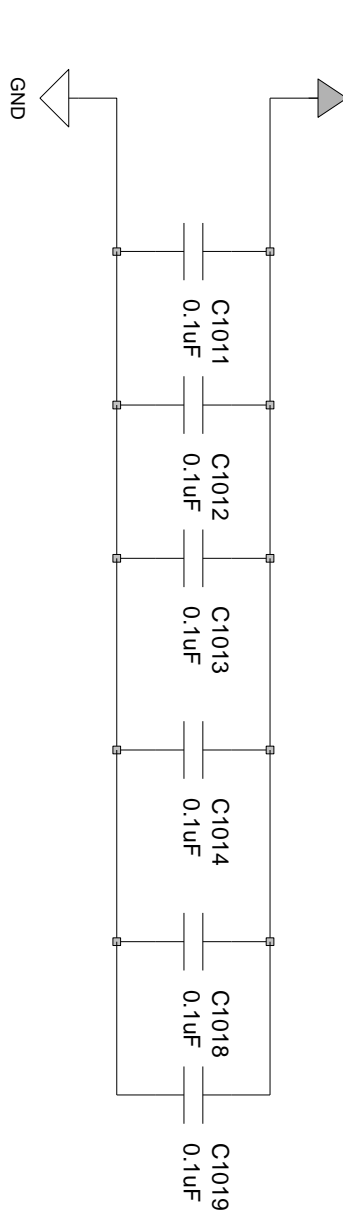
B

C

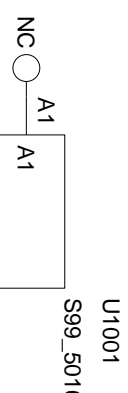
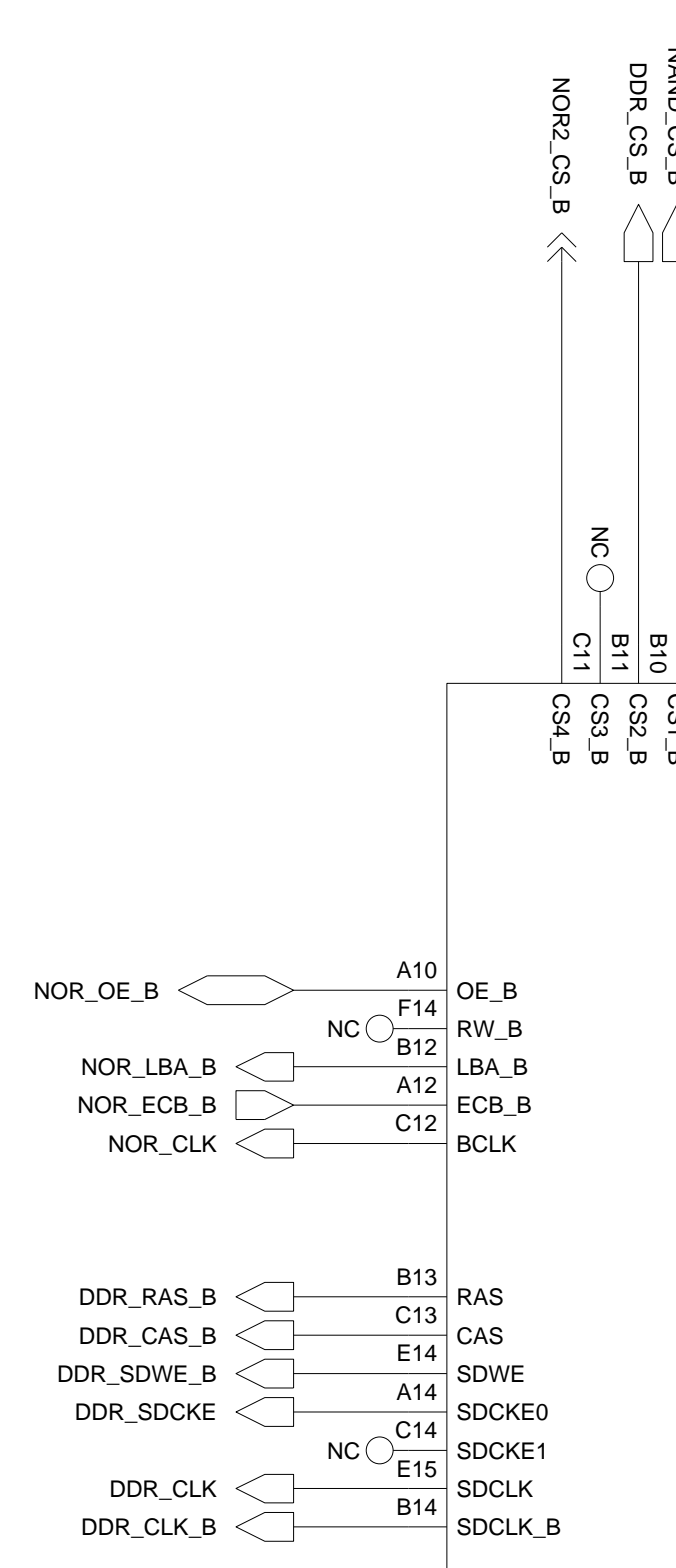
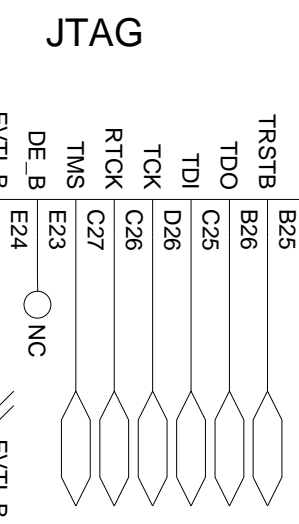
D

MOTOROLA CONFIDENTIAL PROPRIETARY

VARGON_LVIO



ARGONLIV POP
External Memory Interface
& Test Interface



5199213K02 (2x32/64/64 - Spansion NOR / Hynix NAND / Micron DDR)
Placeholder for 5199213K03 (64/64/64 - Spansion NOR / Hynix NAND / Micron DDR)

413 A

Engineer:

G15829

Drawn by:

G15829

R&D CHK:

DOC CTRL CHK:

MFG CTRL CHK:

QA CHK:

Changed by:

TITLE:

ARGON

Memory

Size:

11x17

REV:

8xxxxxx

Drawing Number:

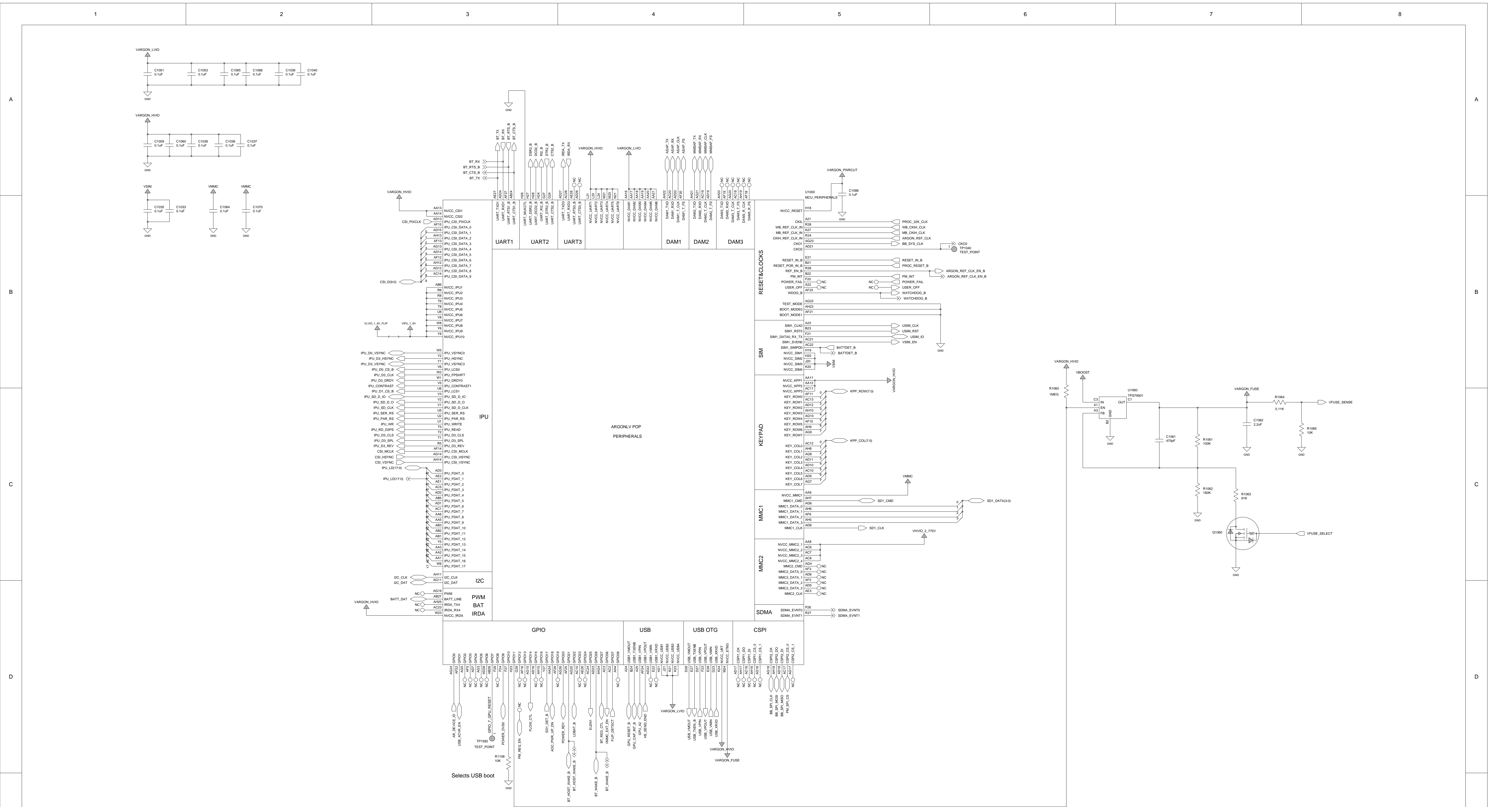
Page:

Of:

Date:


Time:



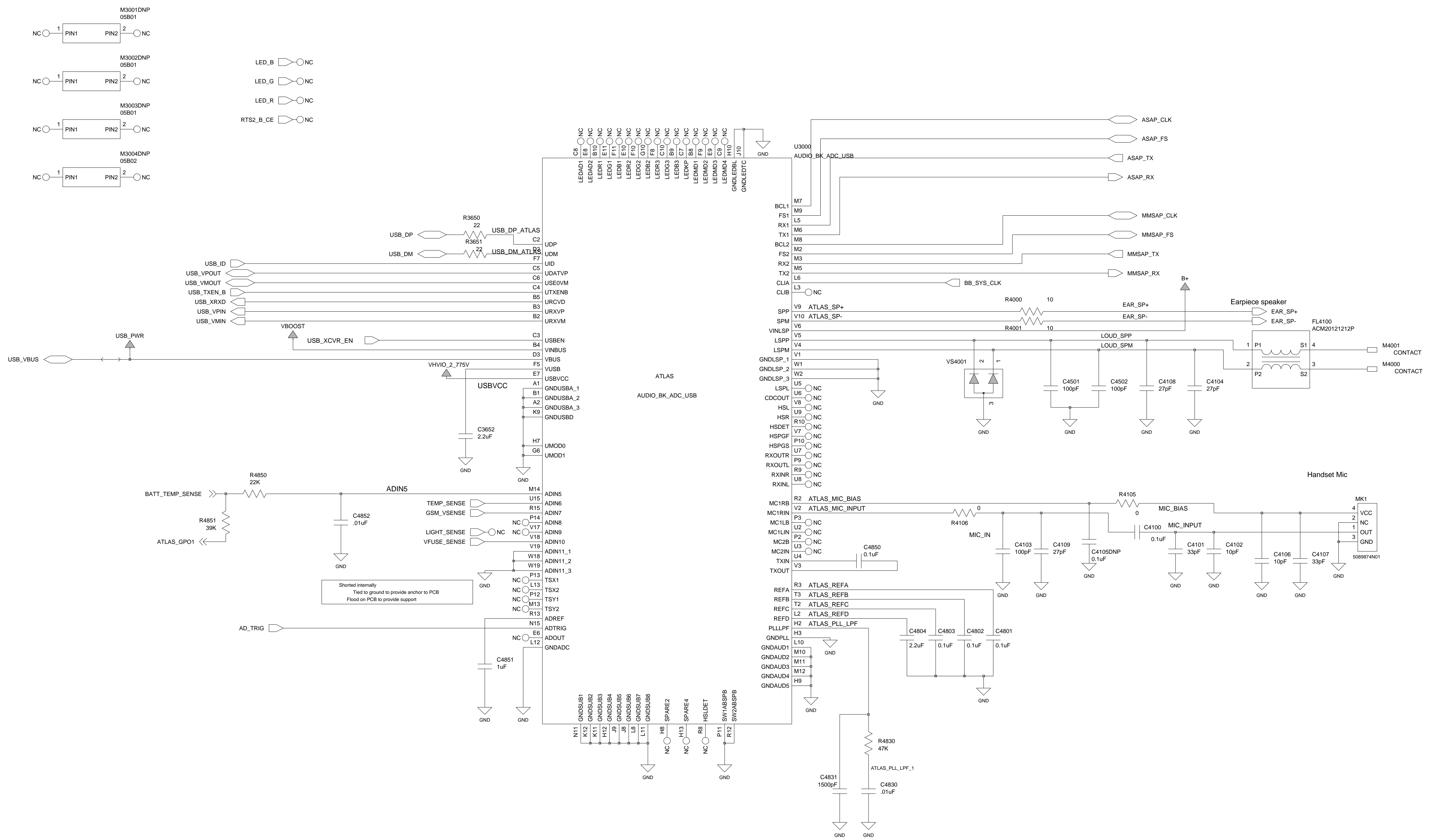


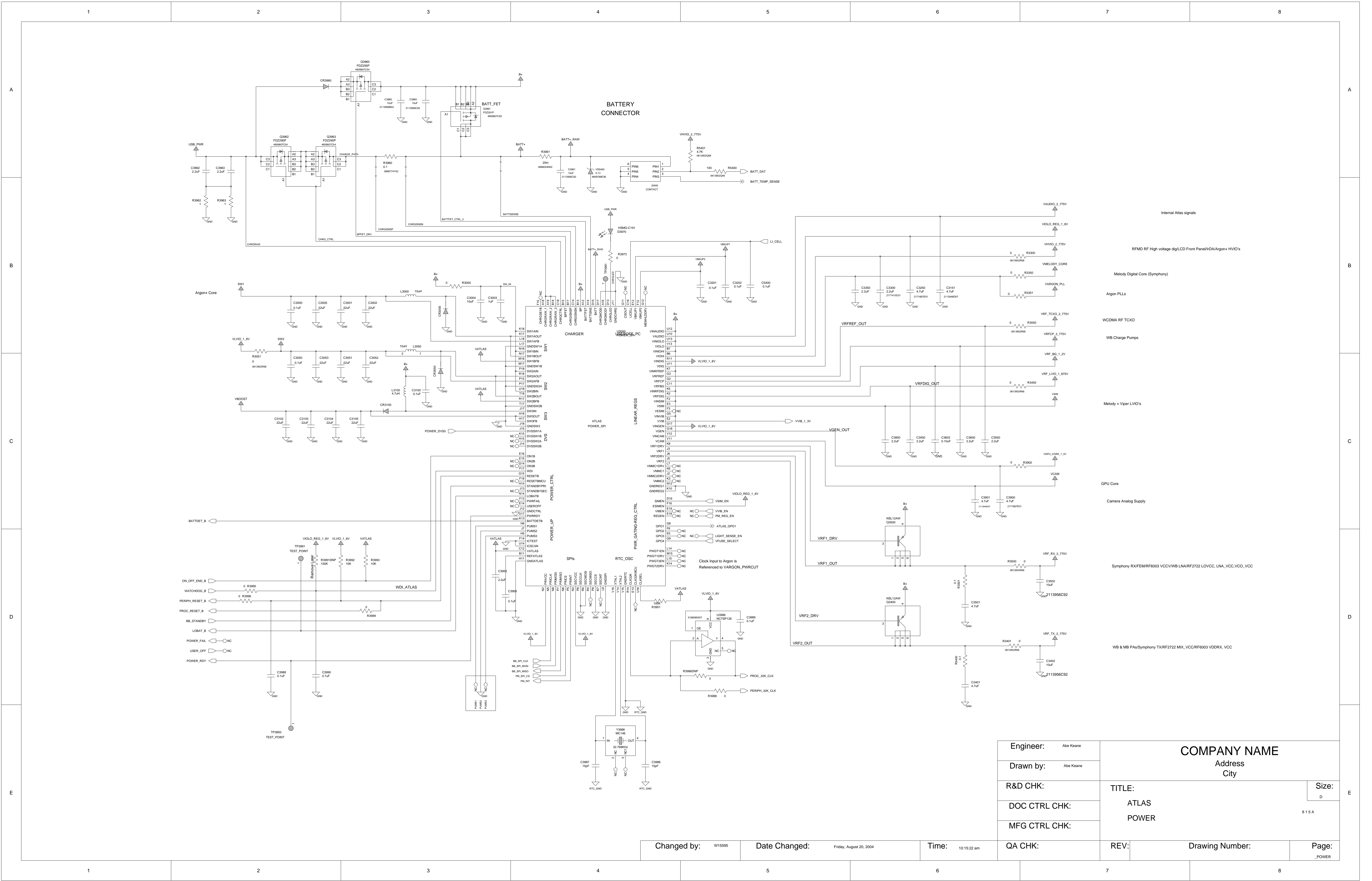
Engineer: G15829	COMPANY NAME Address City		
Drawn by: G15829			
R&D CHK:	TITLE: Argon PERIPHERALS	Size: D	
DOC CTRL CHK:			
MFG CTRL CHK:			
QA CHK:	REV:	Drawing Number:	Page: HERALS

Changed by: _____ Date Changed: _____ Time: _____


Engineer: Nick Klezek			
Drawn by: Nick Klezek			
R&D CHK:	TITLE: ATLAS	Size: 11x21	
DOC CTRL CHK:	Audio		
MFG CTRL CHK:			
QA CHK:	REV:	Drawing Number:	Page: Of:
Changed by: W16564	Date: Monday, February 13, 2006		Time: 9:29:26 am

A
B
C
D



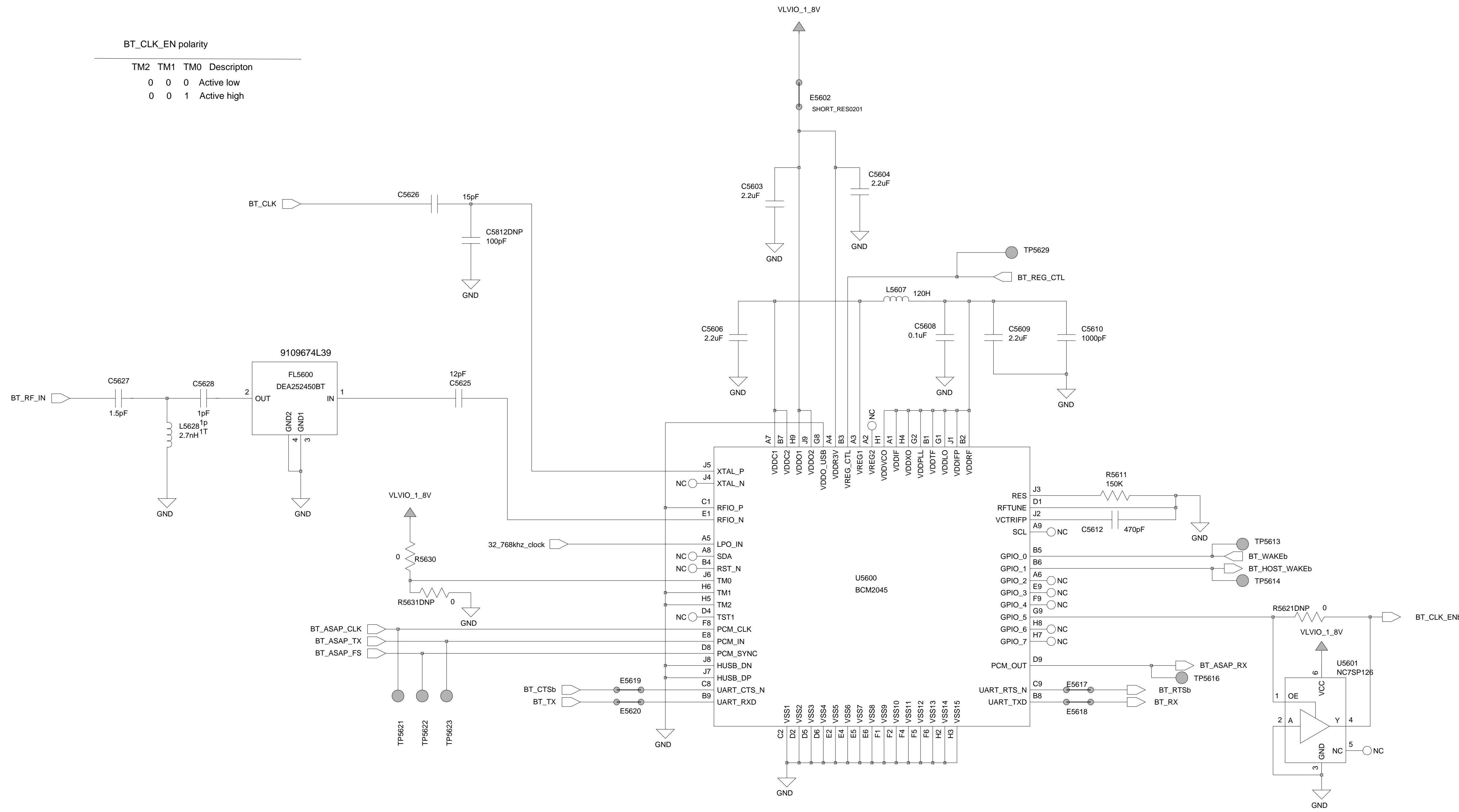



Engineer:	Abe Keane	COMPANY NAME Address City	
Drawn by:	Abe Keane		
R&D CHK:		TITLE: ATLAS POWER	Size: D
DOC CTRL CHK:			815 A
MFG CTRL CHK:			
QA CHK:		REV:	Drawing Number:
Changed by: W15595		Date Changed: Friday, August 20, 2004	
Time: 10:15:22 am		Page: <u> </u> _POWER	

Engineer: Yun Sun Lee			
Drawn by: Yun Sun Lee			
R&D CHK:		TITLE: BLUETOOTH BLUETOOTH	Size: 11x17
DOC CTRL CHK:		REV:	Page: Of:
MFG CTRL CHK:		Drawing Number:	
QA CHK:		Date: Tuesday, August 31, 2004	Time: 3:47:09 pm
Changed by: w17698			

BT_CLK_EN polarity

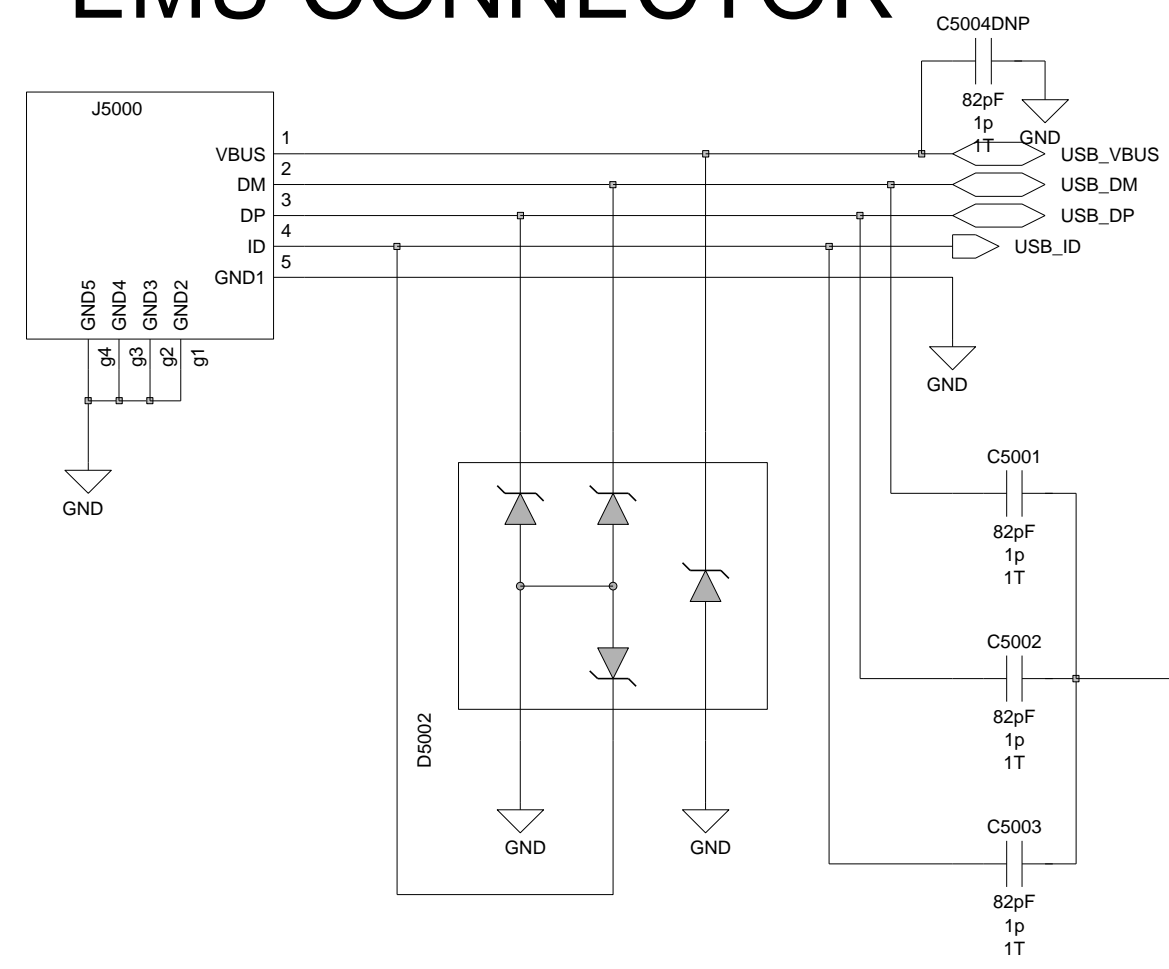
TM2	TM1	TM0	Description
0	0	0	Active low
0	0	1	Active high



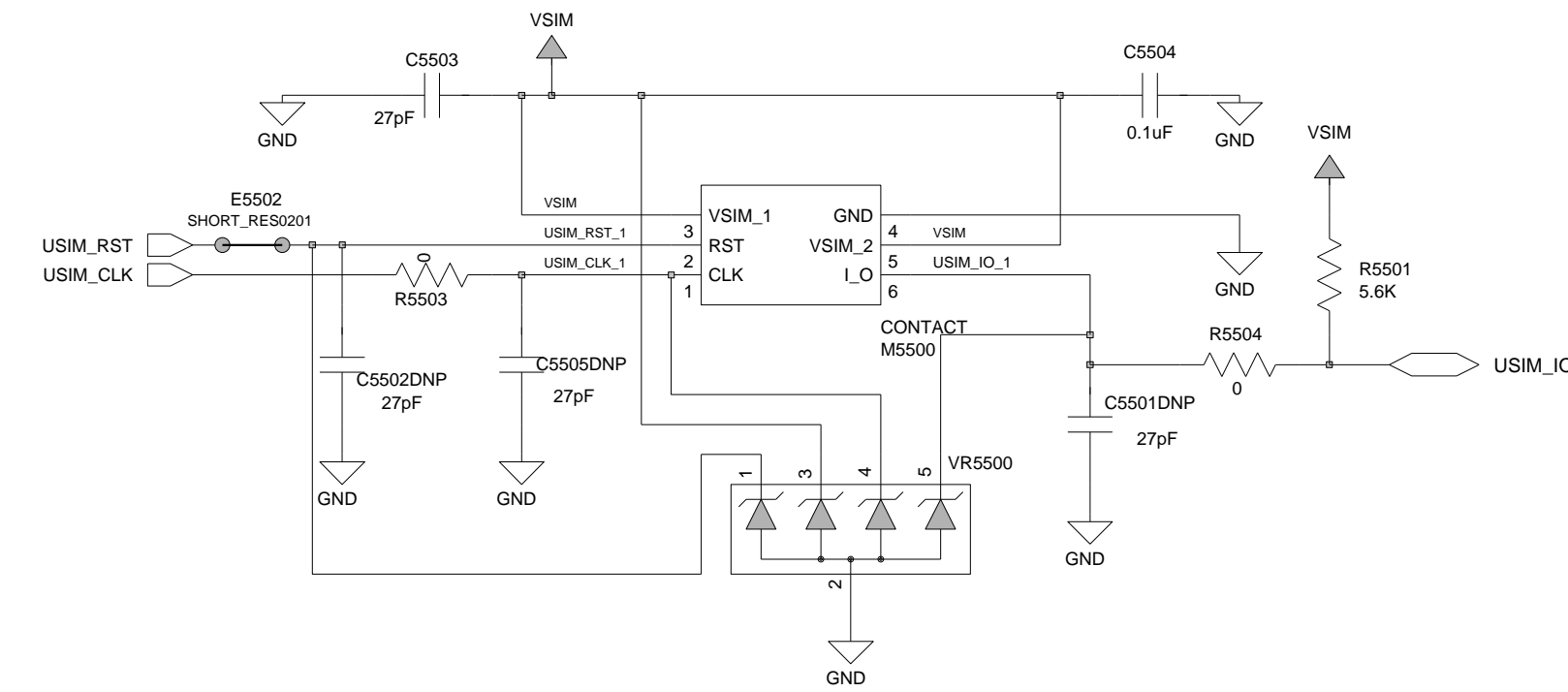
Engineer: Chris Pipe			
Drawn by: Chris Pipe			
R&D CHK:	TITLE: MISC_CONNECTORS	Page: 11x21	Size: 11x21
DOC CTRL CHK:			
MFG CTRL CHK:			
QA CHK:	REV:	Drawing Number:	Page: Of:
Changed by: W16564	Date: Monday, February 13, 2006		Time: 9:23:31 am

WING EMU CONNECTOR

EMU CONNECTOR

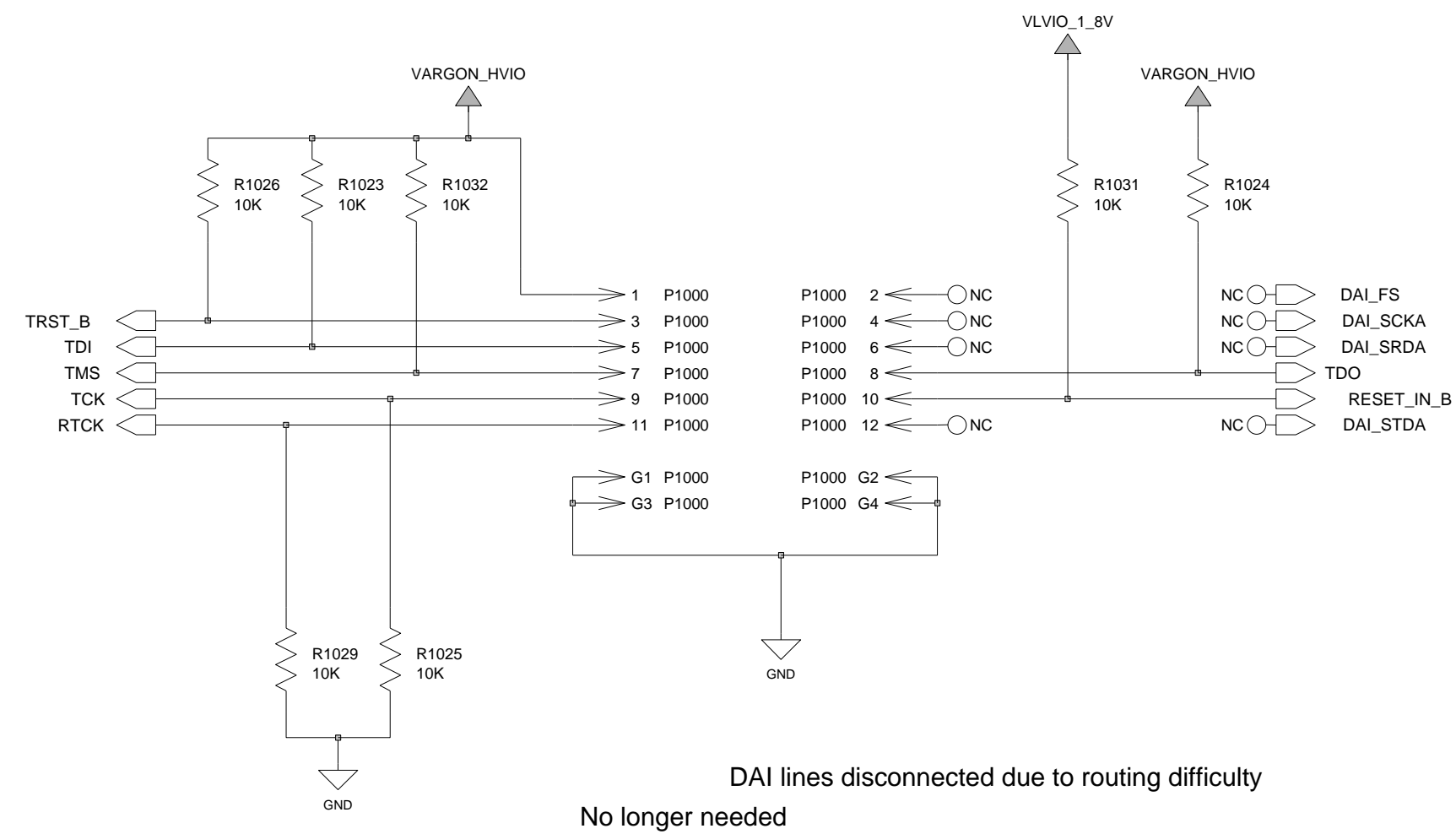


USIM

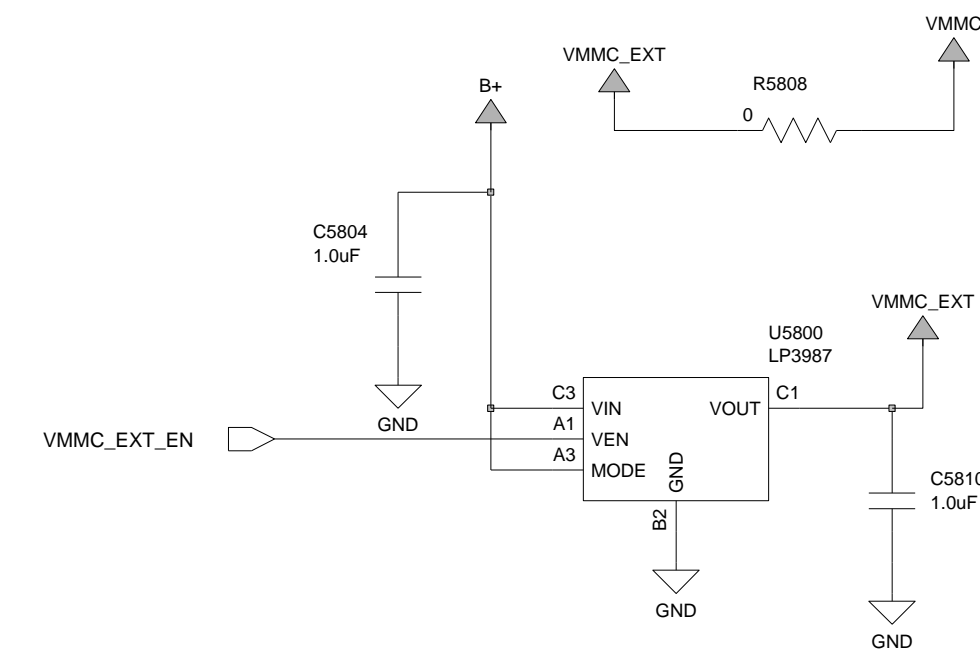
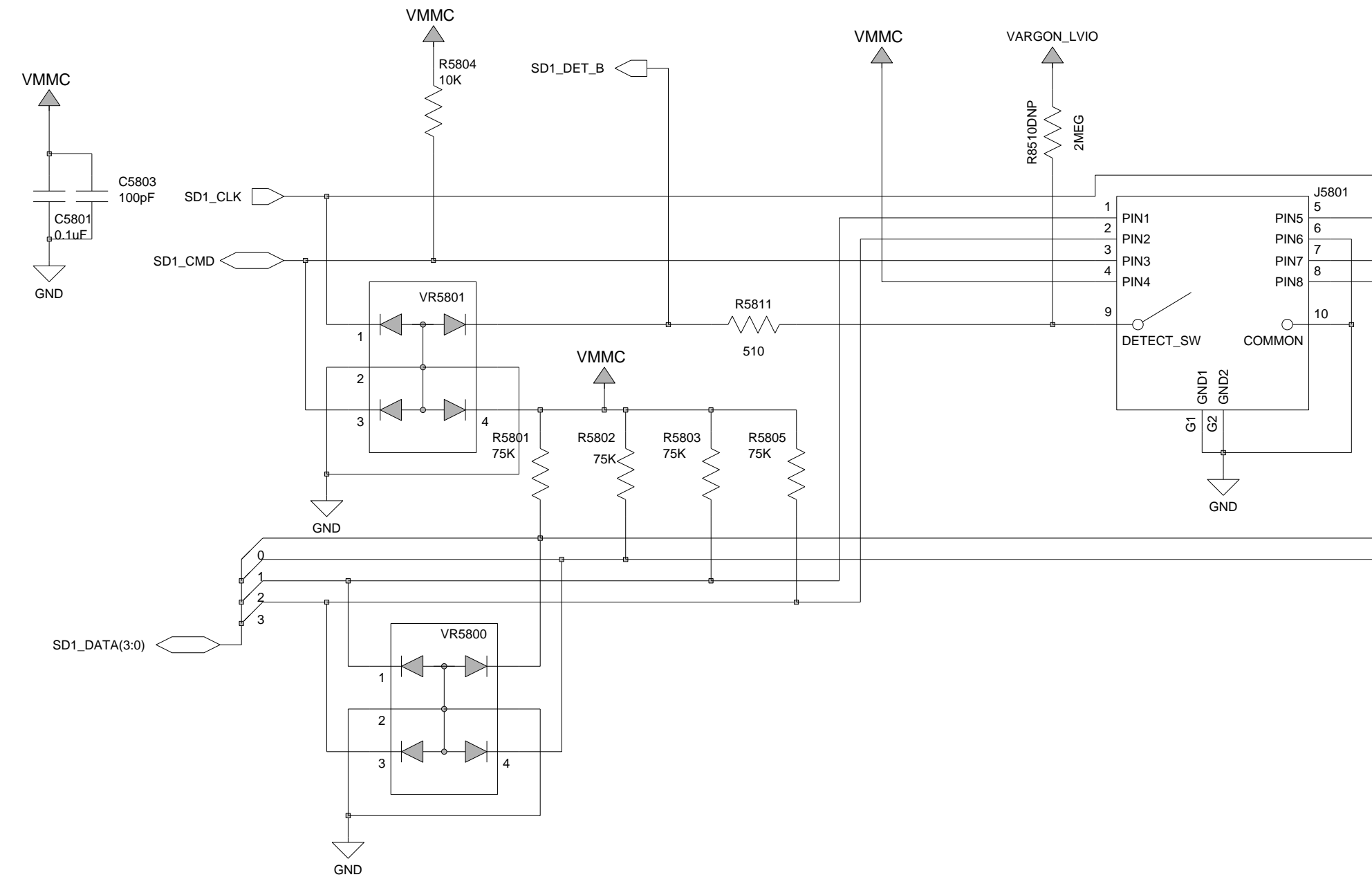


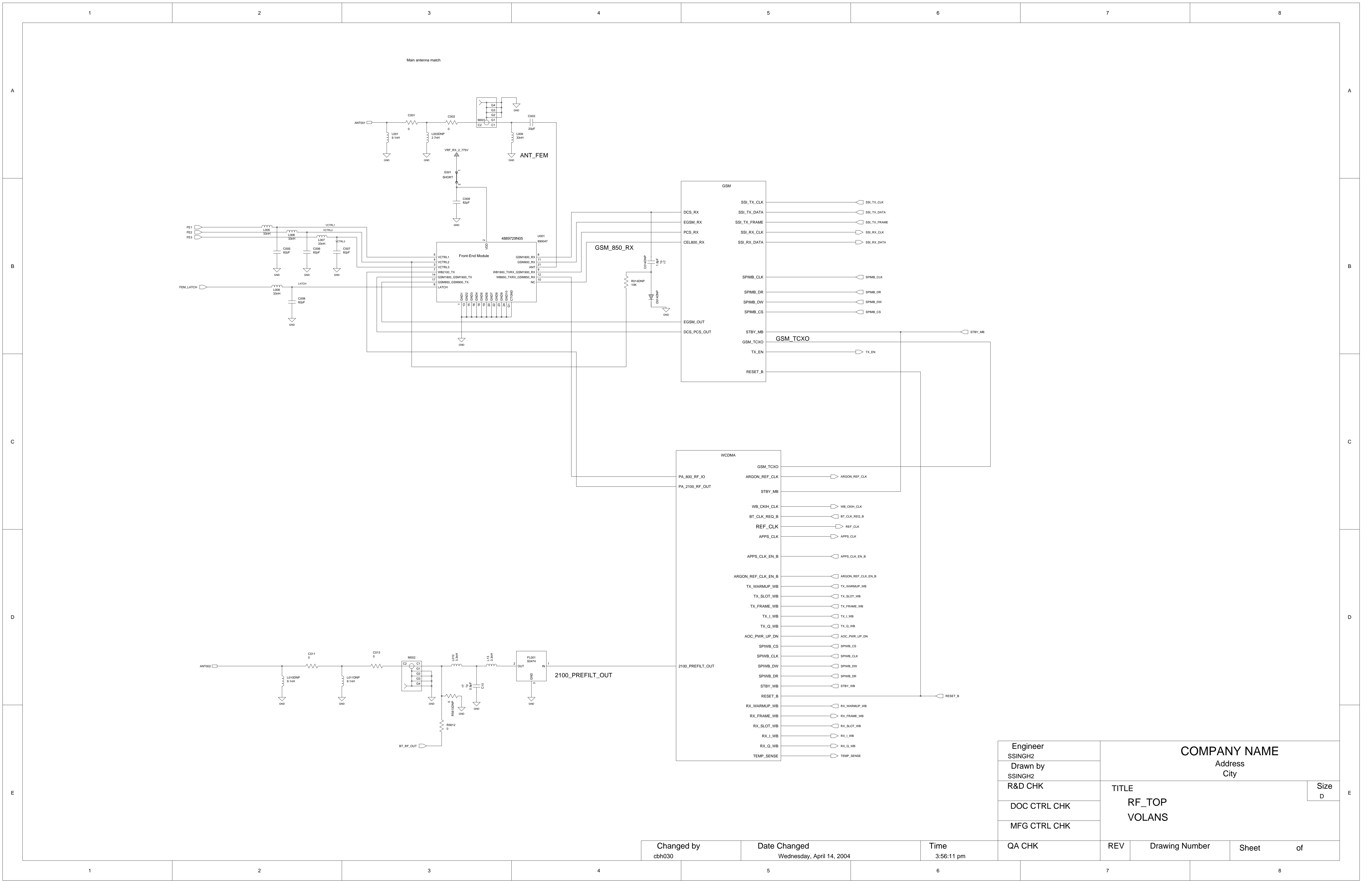
JTAG/DAI

12-pin JTAG connector



TRANSFLASH



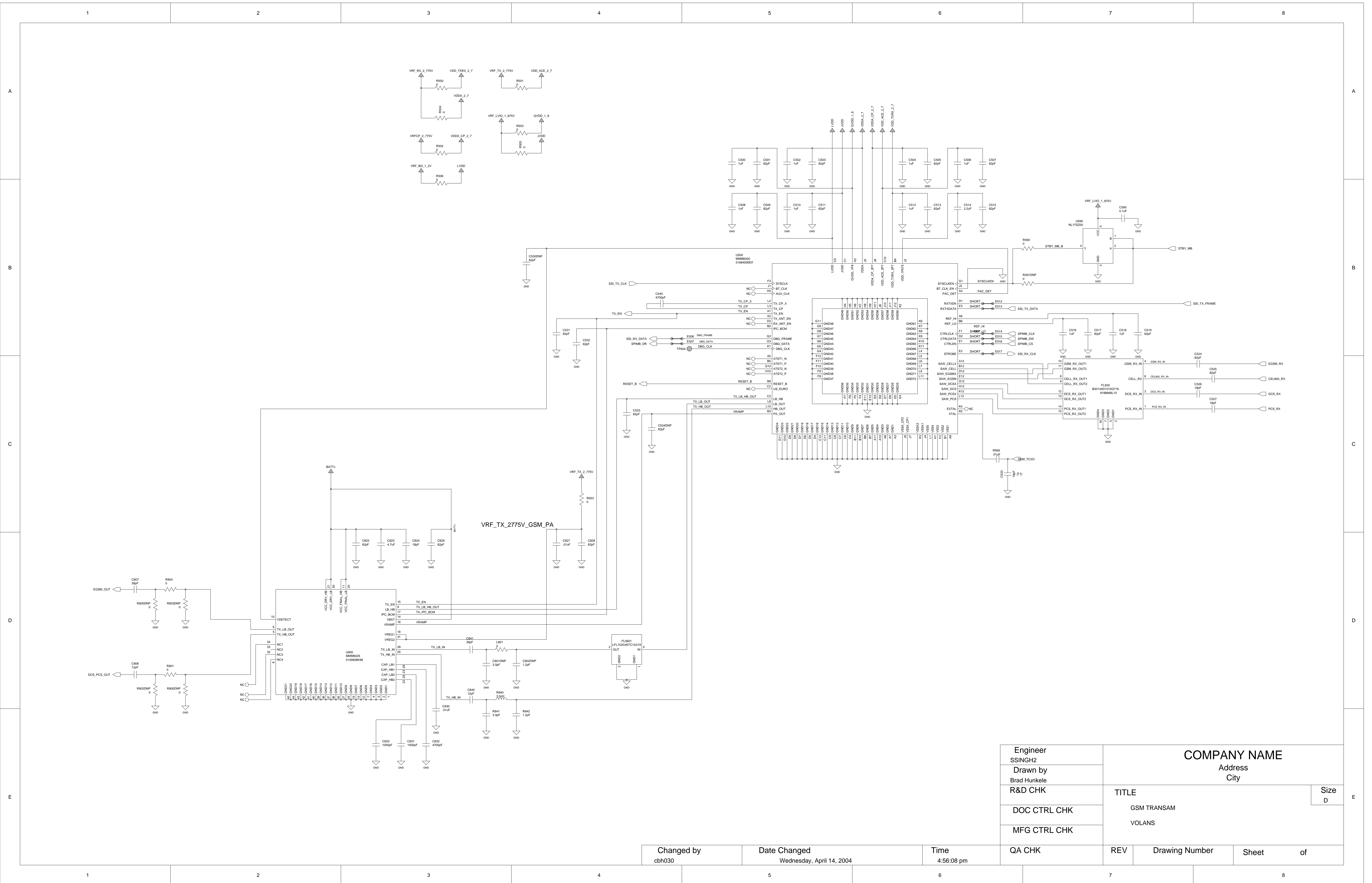


Engineer SSINGH2	COMPANY NAME Address City		
Drawn by SSINGH2			
R&D CHK	TITLE RF_TOP VOLANS	Size D	
DOC CTRL CHK	REV	Drawing Number	Sheet of
MFG CTRL CHK			
QA CHK			

Changed by
cbh030

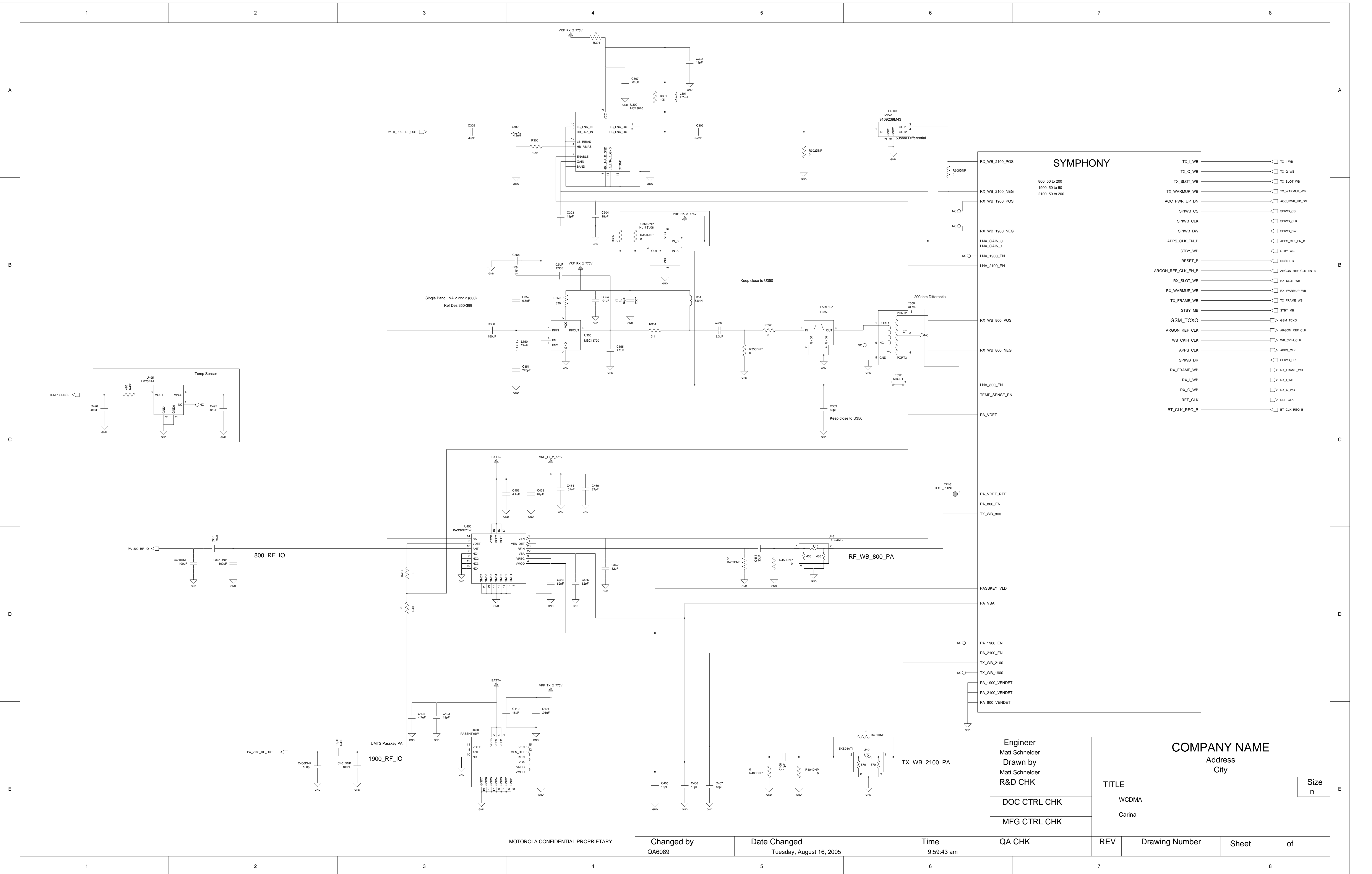
Date Changed
Wednesday, April 14, 2004

Time
3:56:11 pm



Engineer SSINGH2	COMPANY NAME Address City		
Drawn by Brad Hunkele			
R&D CHK	TITLE GSM TRANSAM	Size D	
DOC CTRL CHK	VOLANS		
MFG CTRL CHK			
QA CHK	REV	Drawing Number	Sheet of

Changed by: cbh030
Date Changed: Wednesday, April 14, 2004
Time: 4:56:08 pm



SYMPHONY

800: 50 to 200
 1900: 50 to 50
 2100: 50 to 200

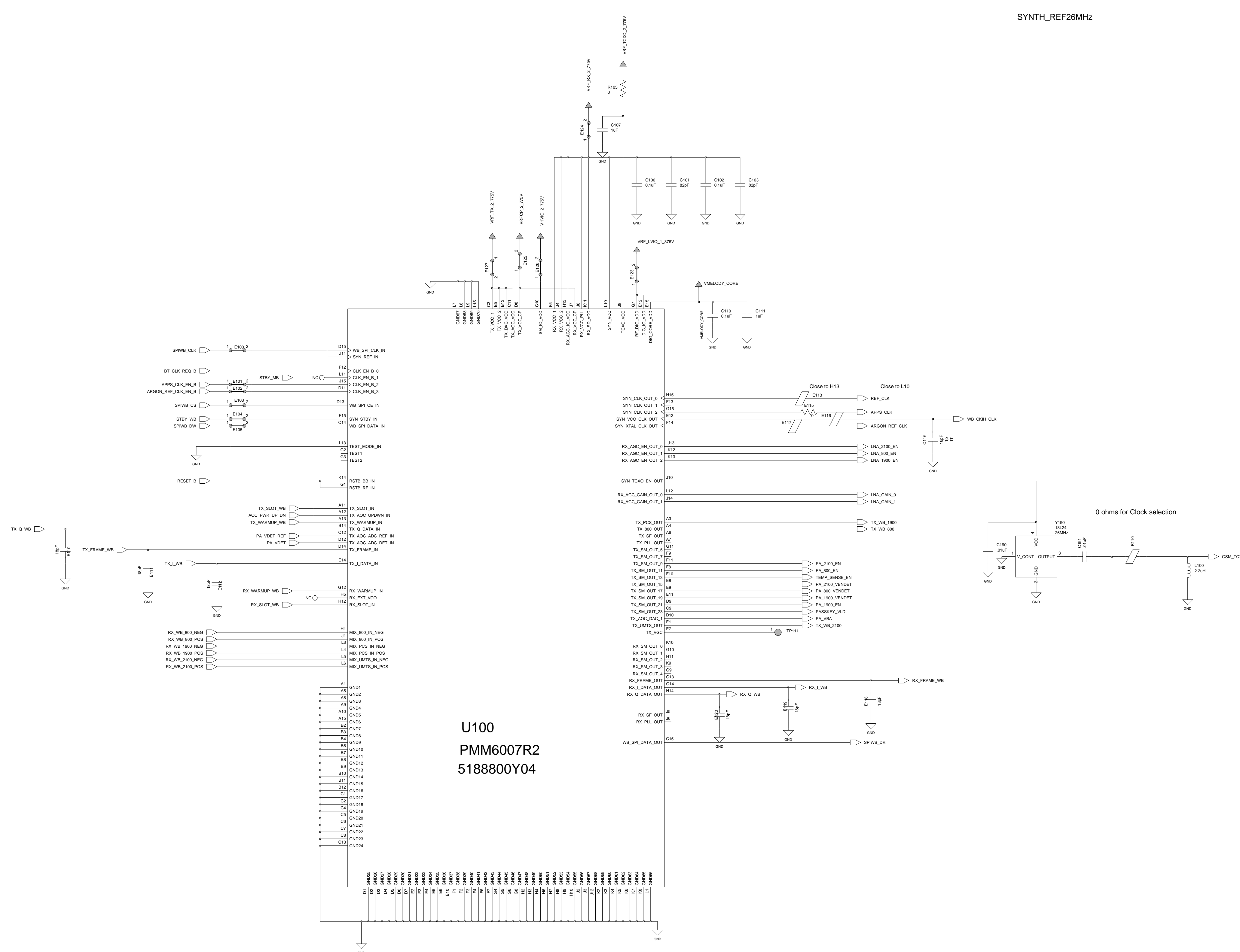
Engineer Matt Schneider	COMPANY NAME Address City			Size D
Drawn by Matt Schneider				
R&D CHK	TITLE WCDMA Carina	REV		Sheet of
DOC CTRL CHK	Drawing Number		of	
MFG CTRL CHK	Drawing Number		of	
QA CHK	REV	Drawing Number	Sheet	of

MOTOROLA CONFIDENTIAL PROPRIETARY

Changed by
QA6089

Date Changed
Tuesday, August 16, 2005

Time
9:59:43 am



U100
PMM6007R2
5188800Y04

Engineer Matt Schneider	COMPANY NAME Address City			Size D
Drawn by Matt Schneider				
R&D CHK	TITLE SYMPHONY			
DOC CTRL CHK				
MFG CTRL CHK				
QA CHK	REV	Drawing Number	Sheet 1 of 1	

MOTOROLA CONFIDENTIAL PROPRIETARY

Changed by QA6089	Date Changed Friday, August 12, 2005	Time 5:16:05 pm
----------------------	---	--------------------