

Engineer W16564 / W16224	COMPANY NAME		
Drawn by W16564 / W16224	Address City		
R&D CHK	TITLE Volans EMEA PO	Size D	
DOC CTRL CHK			
MFG CTRL CHK			
QA CHK	REV	Drawing Number	Sheet of

Changed by	Date Released Wednesday, February 8, 2006	Time
------------	--	------

1 2 3 4 5 6 7 8

A

A

B

B

C

C

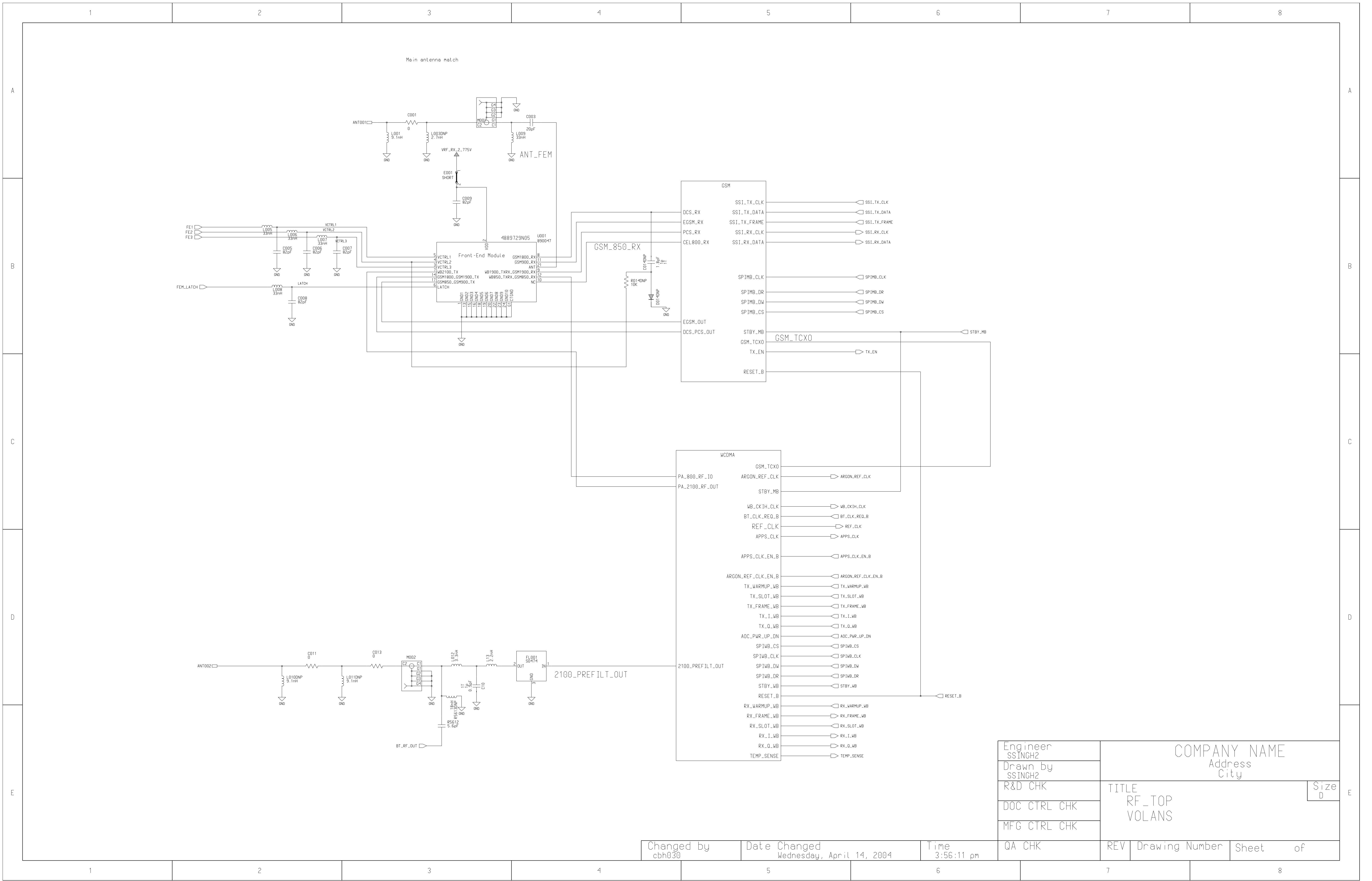
D

D

E

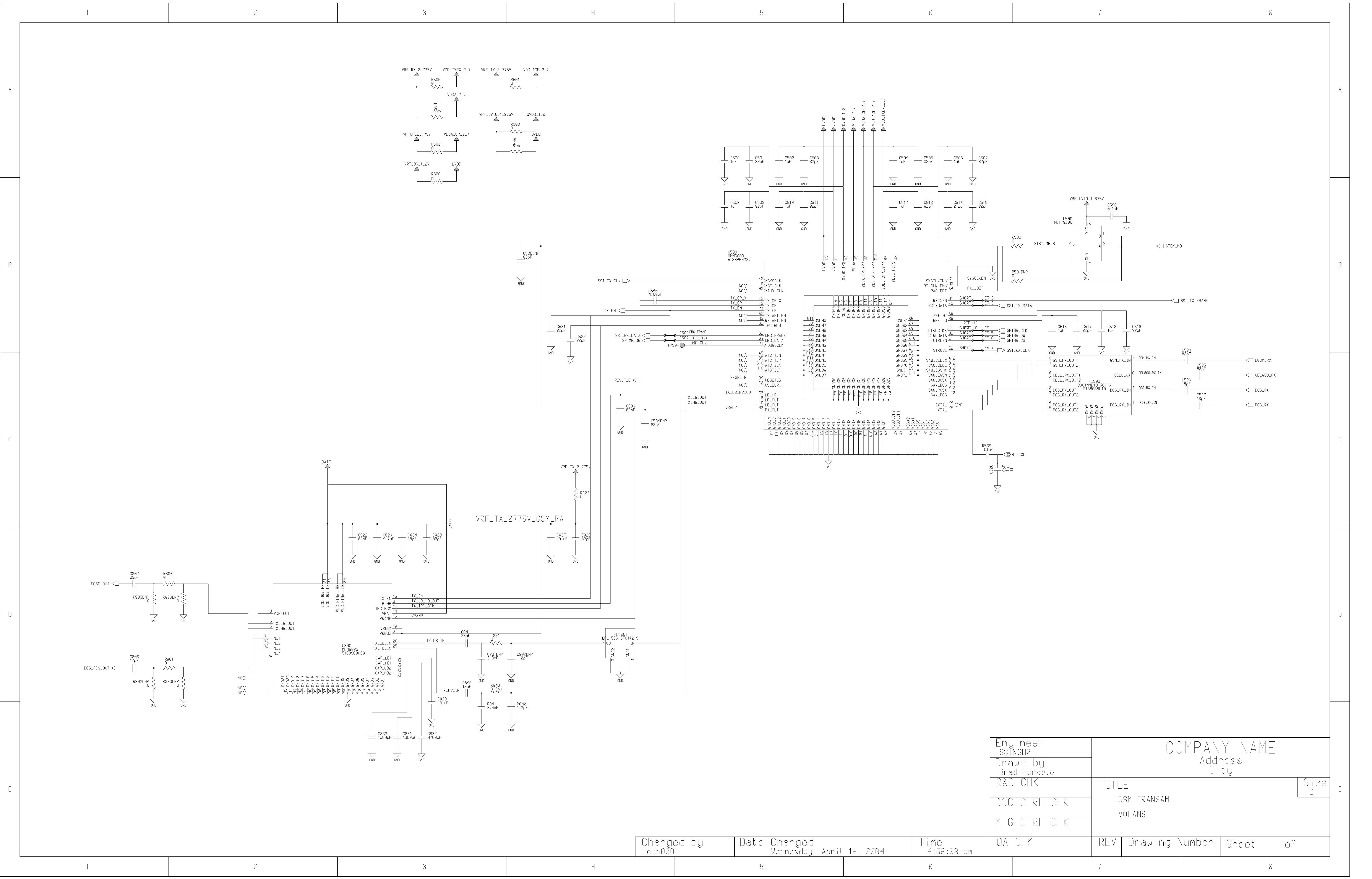
E

1 2 3 4 5 6 7 8



Engineer SSINGH2	COMPANY NAME Address City		
Drawn by SSINGH2			
R&D CHK	TITLE RF_TOP	Size D	
DOC CTRL CHK	VOLANS		
MFG CTRL CHK			
QA CHK	REV	Drawing Number	Sheet of

Changed by: cbh030
Date Changed: Wednesday, April 14, 2004
Time: 3:56:11 pm

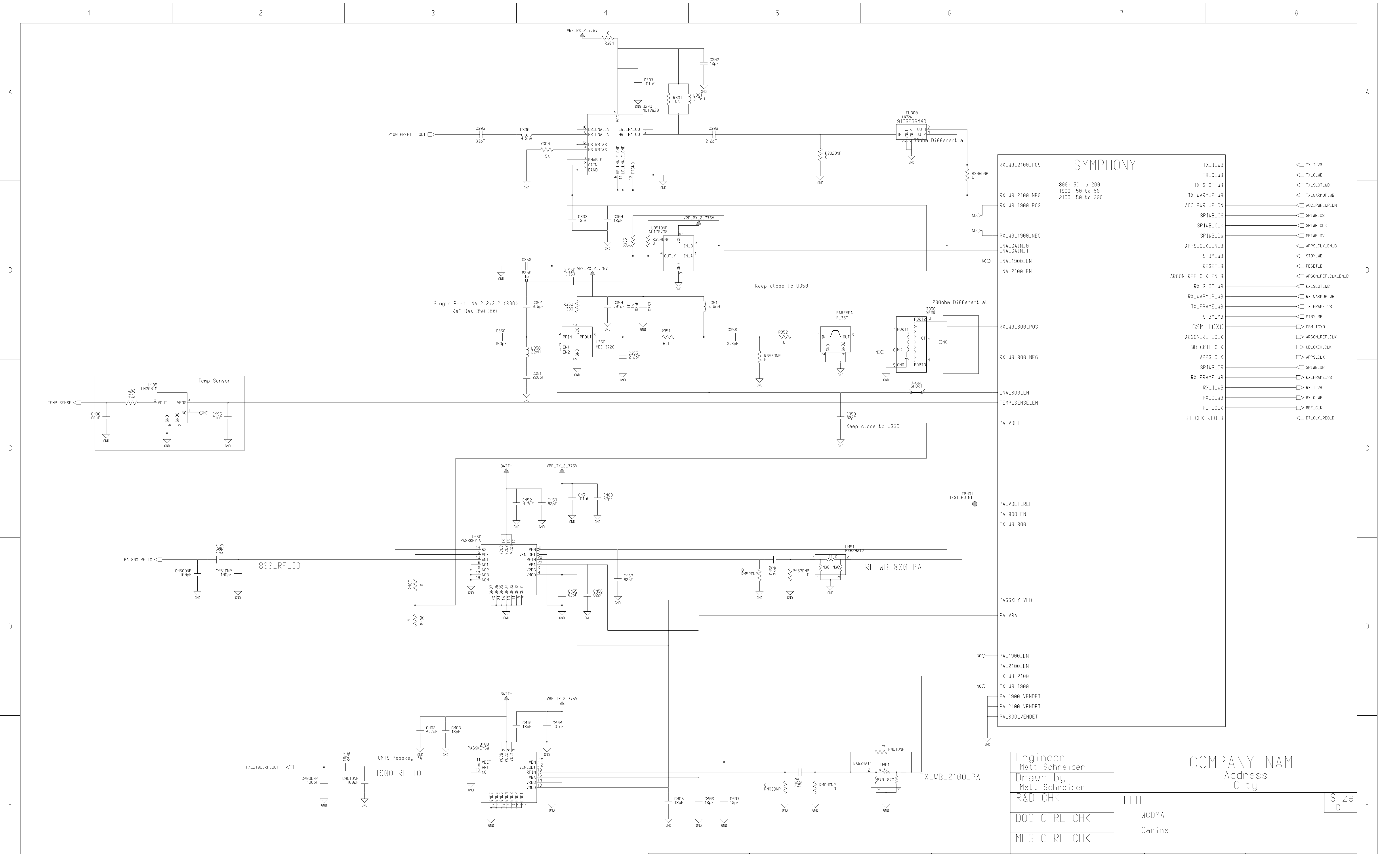


Engineer SSINGH2	COMPANY NAME Address City		
Drawn by Brad Hunkeler	TITLE GSM TRANSAM	Size D	
R&D CHK	VOLANS		
DOC CTRL CHK	REV	Drawing Number	Sheet of
MFG CTRL CHK	QA CHK		

Changed by
cbh030

Date Changed
Wednesday, April 14, 2004

Time
4:56:08 pm

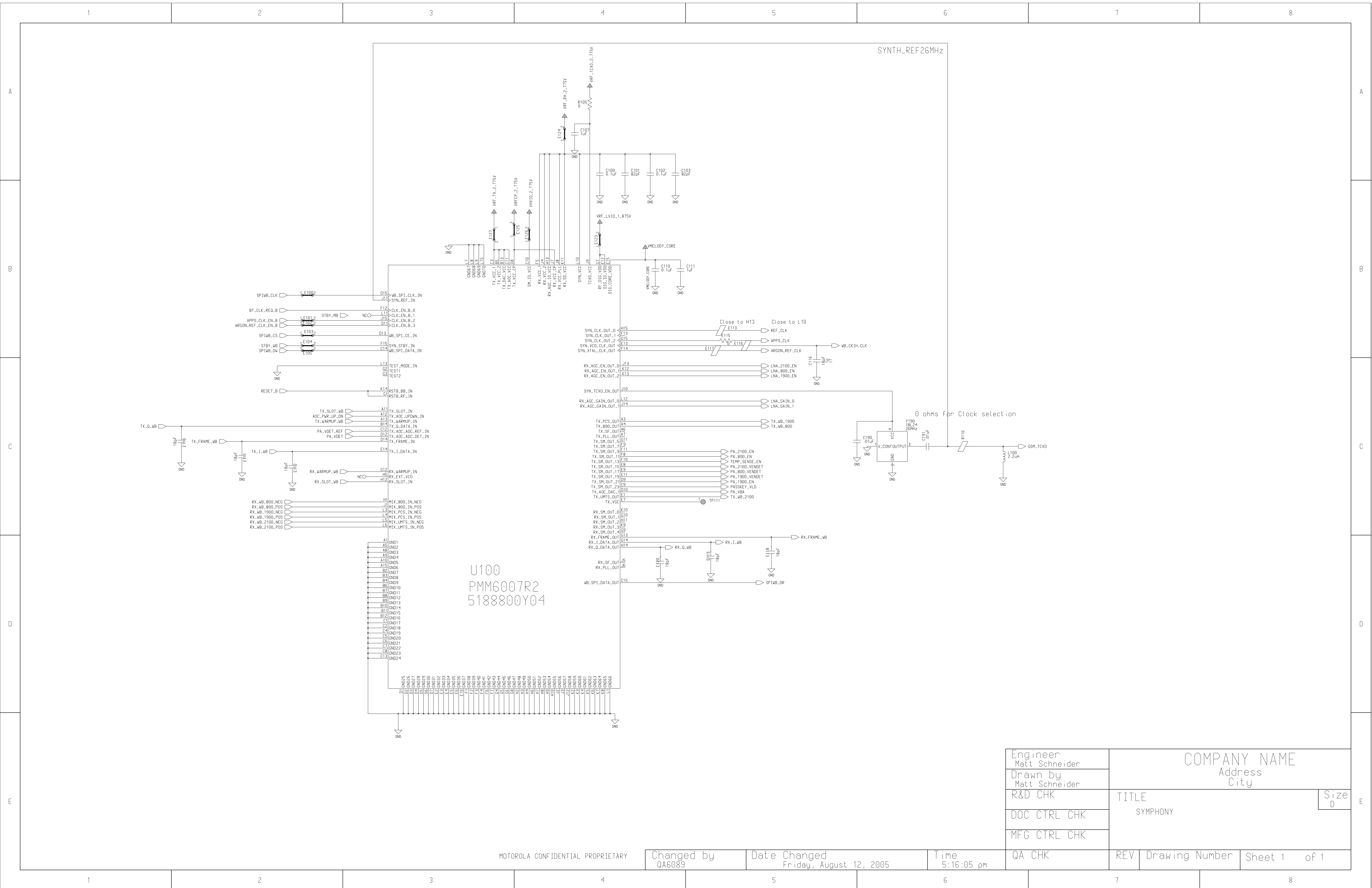


SYMPHONY

800: 50 to 200
 1900: 50 to 50
 2100: 50 to 200

- TX_I_WB
- TX_Q_WB
- TX_SLOT_WB
- TX_SLOT_WB
- TX_WARMUP_WB
- TX_WARMUP_WB
- AOC_PWR_UP_DN
- AOC_PWR_UP_DN
- SPIWB_CS
- SPIWB_CS
- SPIWB_CLK
- SPIWB_CLK
- SPIWB_DW
- SPIWB_DW
- APPS_CLK_EN_B
- APPS_CLK_EN_B
- STBY_WB
- STBY_WB
- RESET_B
- RESET_B
- ARGON_REF_CLK_EN_B
- ARGON_REF_CLK_EN_B
- RX_SLOT_WB
- RX_SLOT_WB
- RX_WARMUP_WB
- RX_WARMUP_WB
- TX_FRAME_WB
- TX_FRAME_WB
- STBY_MB
- STBY_MB
- GSM_TCXO
- GSM_TCXO
- ARGON_REF_CLK
- ARGON_REF_CLK
- WB_CKIH_CLK
- WB_CKIH_CLK
- APPS_CLK
- APPS_CLK
- SPIWB_DR
- SPIWB_DR
- RX_FRAME_WB
- RX_FRAME_WB
- RX_I_WB
- RX_I_WB
- RX_Q_WB
- RX_Q_WB
- REF_CLK
- REF_CLK
- BT_CLK_RED_B
- BT_CLK_RED_B

Engineer Matt Schneider	COMPANY NAME Address City		
Drawn by Matt Schneider			
R&D CHK	TITLE	Size	
DOC CTRL CHK	WCDMA	D	
MFG CTRL CHK	Carina		
QA CHK	REV	Drawing Number	Sheet of



U100
PMM6007R2
5188800Y04

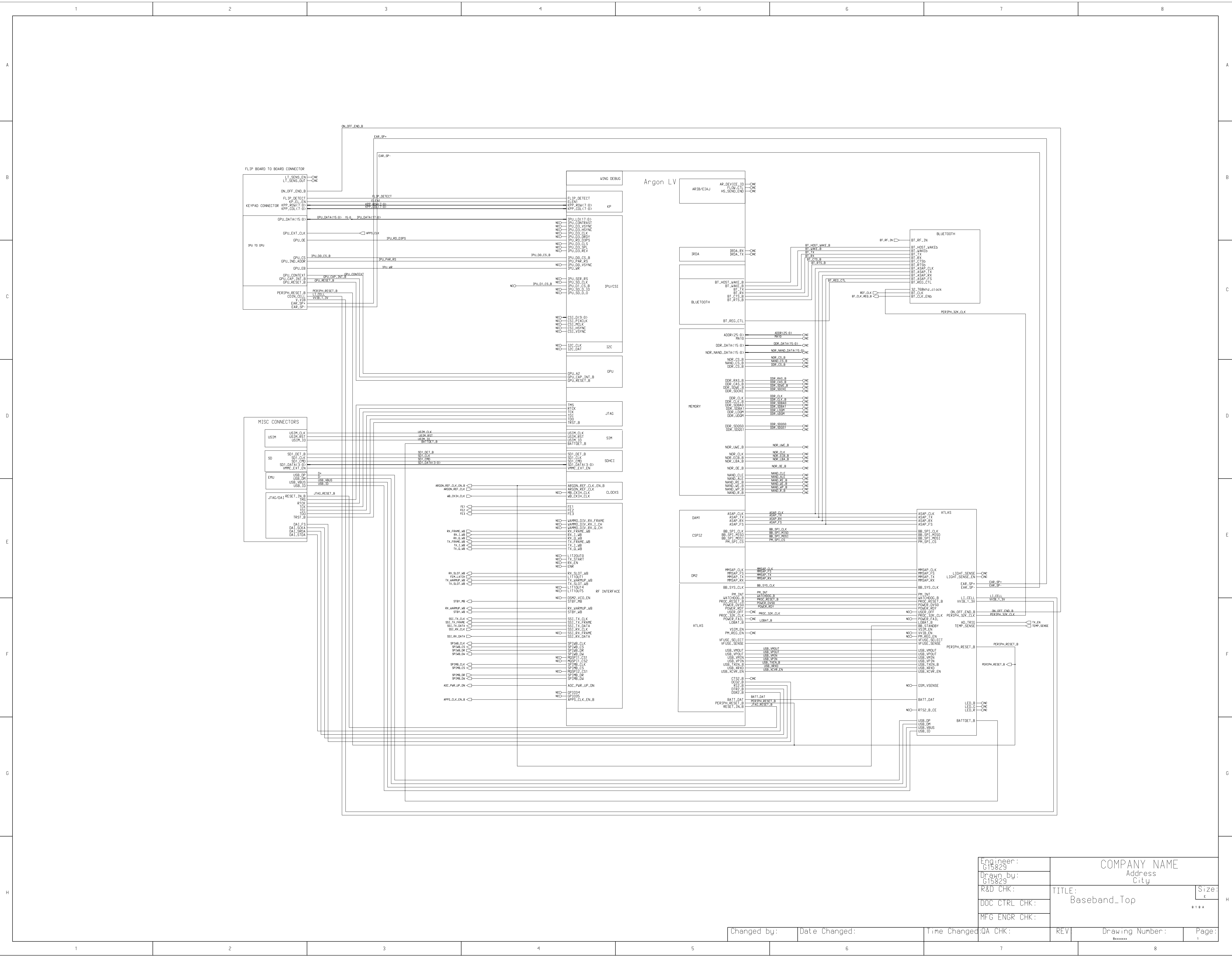
Engineer Matt Schneider	COMPANY NAME Address City		
Drawn by Matt Schneider			
R&D CHK	TITLE	Size D	
DOC CTRL CHK	SYMPHONY		
MFG CTRL CHK	REV	Drawing Number	Sheet 1 of 1
QA CHK	REV	Drawing Number	Sheet 1 of 1

MOTOROLA CONFIDENTIAL PROPRIETARY

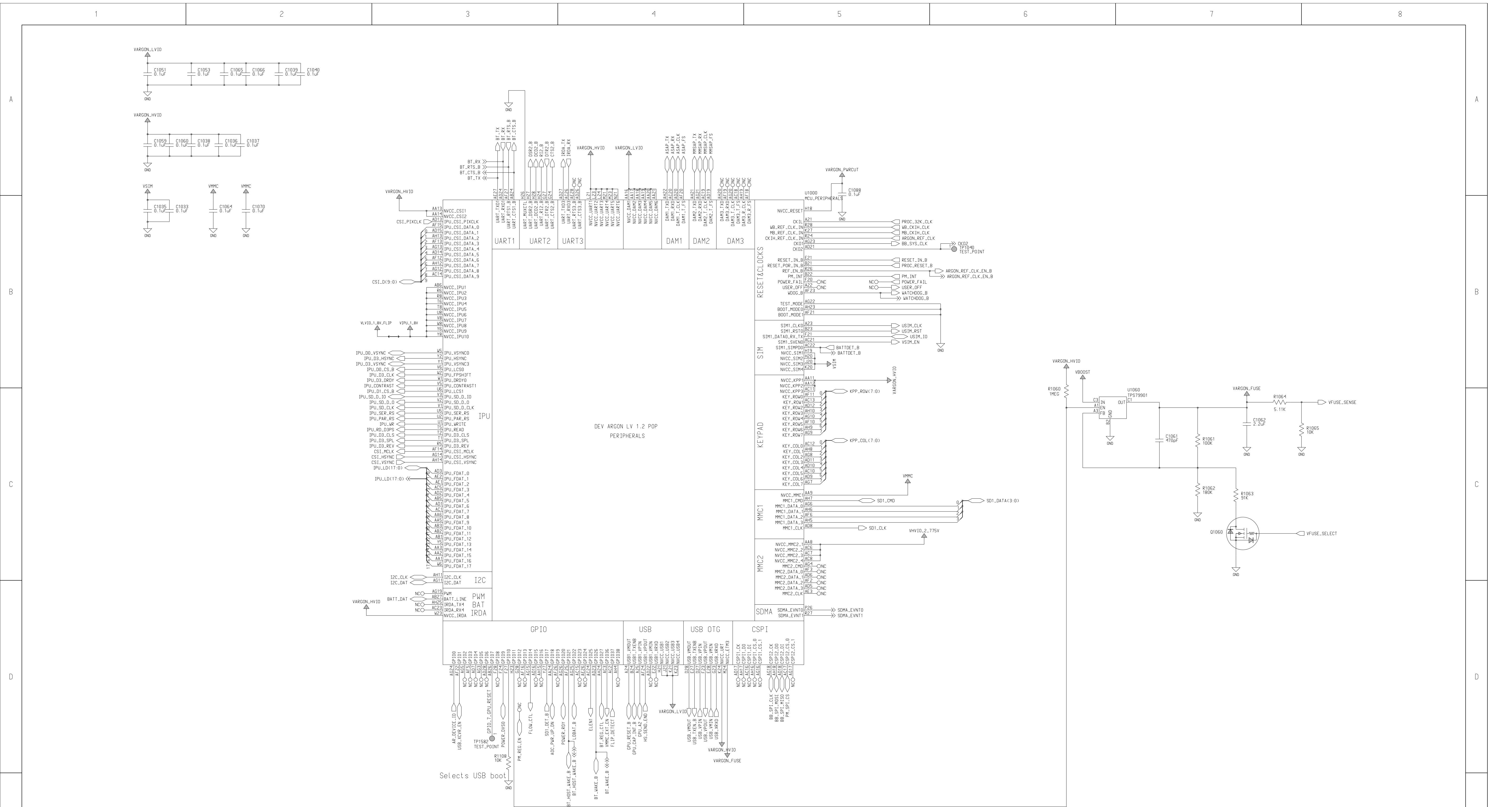
Changed by
QA6089

Date Changed
Friday, August 12, 2005

Time
5:16:05 pm



Engineer: G15829	COMPANY NAME	
Drawn By: G15829	Address City	
R&D CHK:	TITLE: Baseband_Top	Size: €
DOC CTRL CHK:		8184
MFG ENGR CHK:	REV	Page:
Changed by:	Date Changed:	Time Changed
QA CHK:	REV	Drawing Number:



Engineer: G15829	COMPANY NAME Address City		
Drawn by: G15829	TITLE: Argon PERIPHERALS		Size: D
R&D CHK:			
DOC CTRL CHK:			
MFG CTRL CHK:			
QA CHK:	REV	Drawing Number:	Page: HERALS

Changed by: _____ Date Changed: _____ Time: _____

MOTOROLA CONFIDENTIAL PROPRIETARY

4 1 3 A

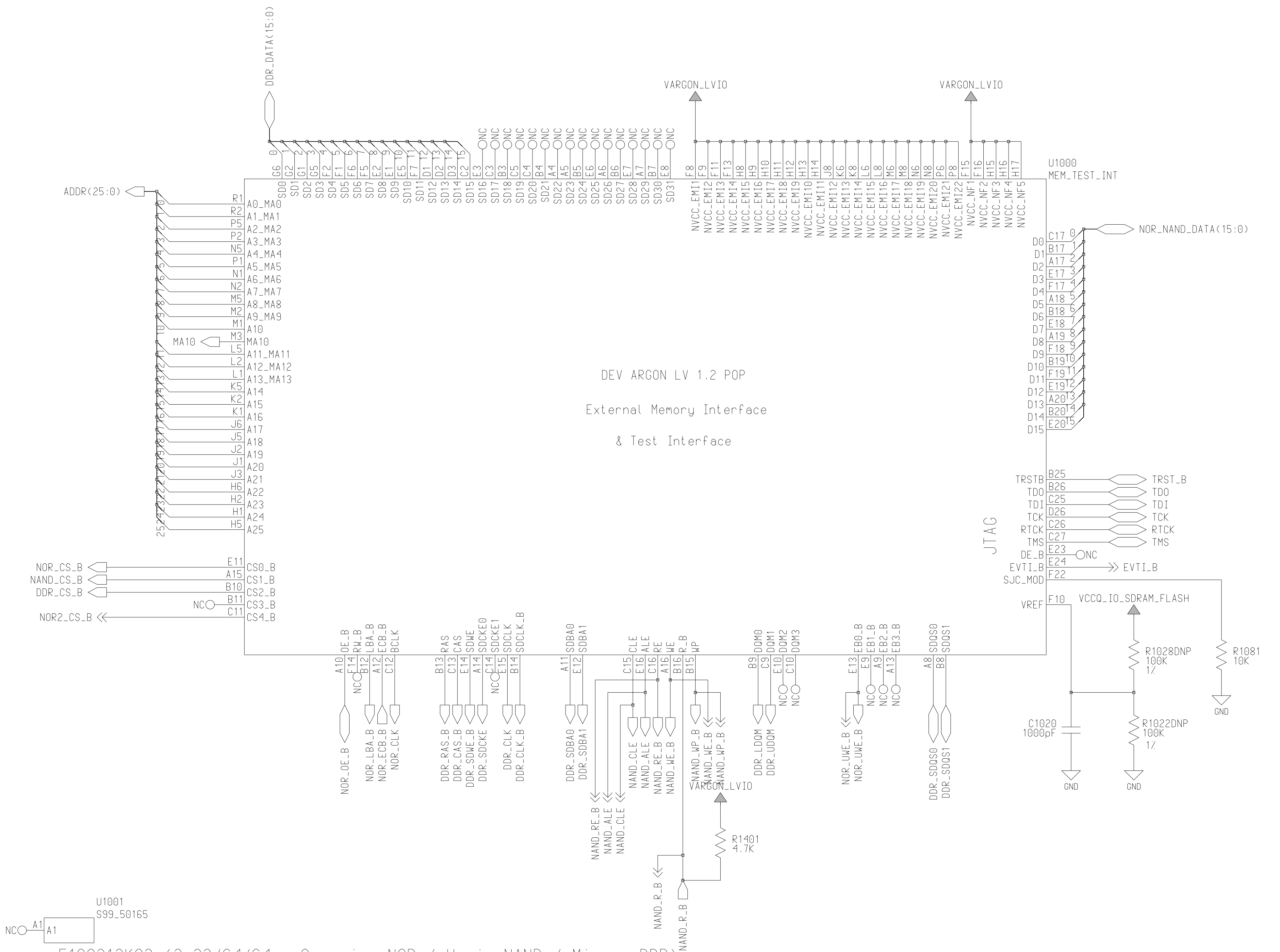
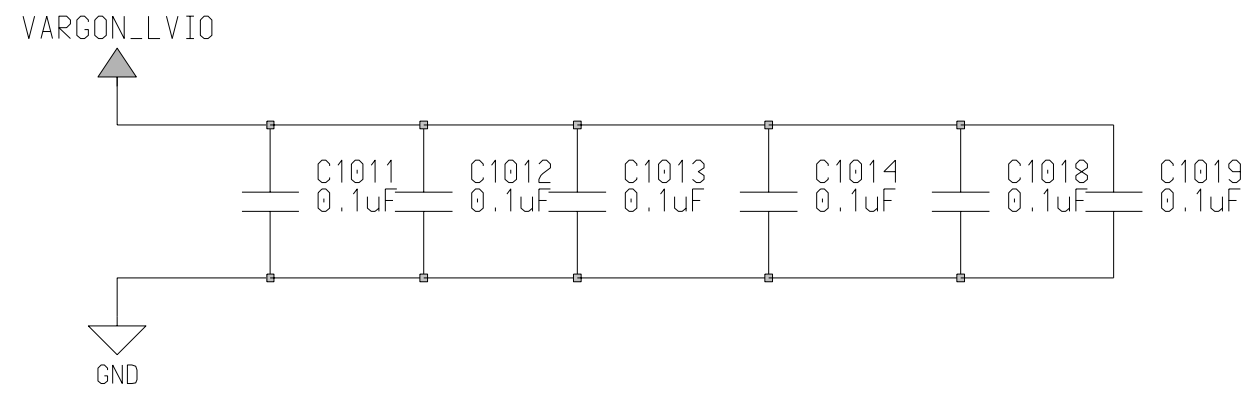
Engineer:
G15829
 Drawn by:
G15829
 R&D CHK:
 DOC CTRL CHK:
 MFG CTRL CHK:
 QA CHK:



TITLE: ARGON
Memory
 Size: 11x17

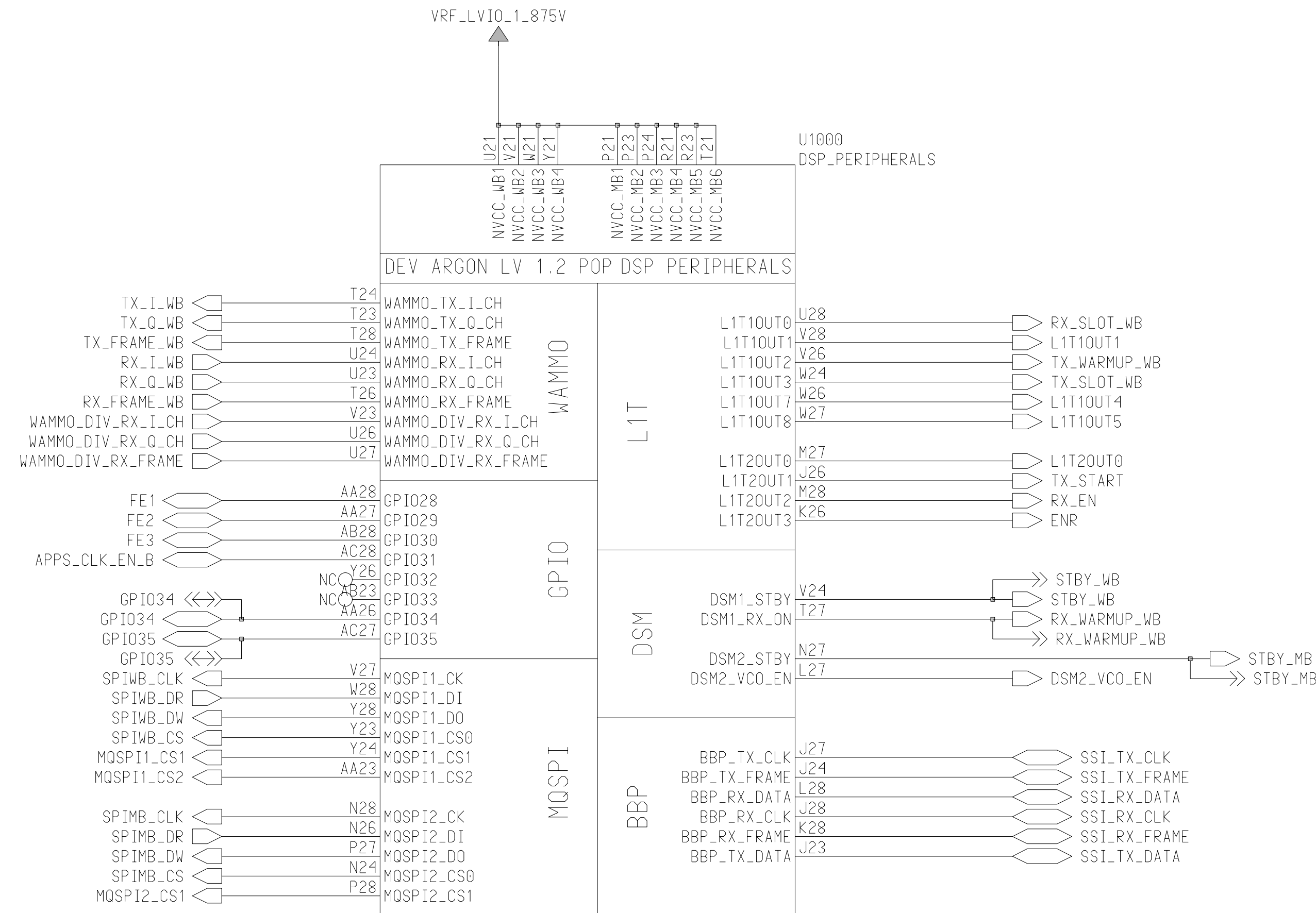
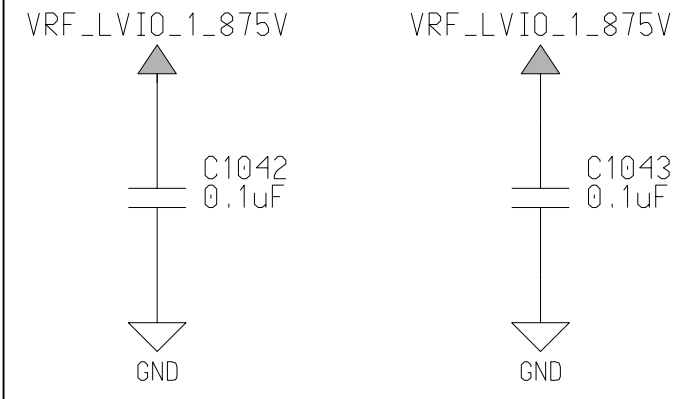
REV: 8xxxxxxx
 Drawing Number:
 Page:
 Of:

Changed by: Date: Time:




U1001
S99_50165
 5199213K02 (2x32/64/64 - Spansion NOR / Hynix NAND / Micron DDR)
 Placeholder for 5199213K03 (64/64/64 - Spansion NOR / Hynix NAND / Micron DDR)

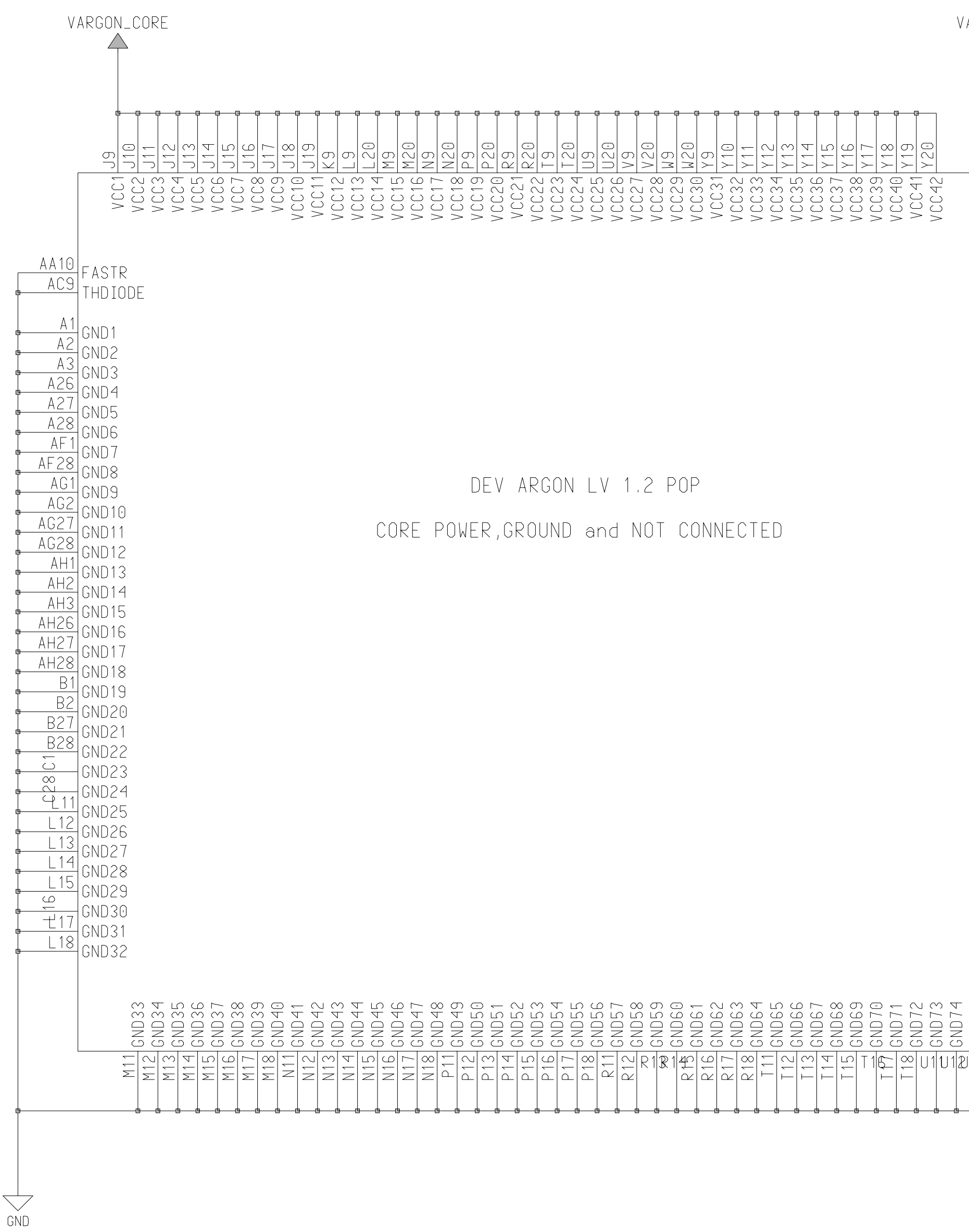
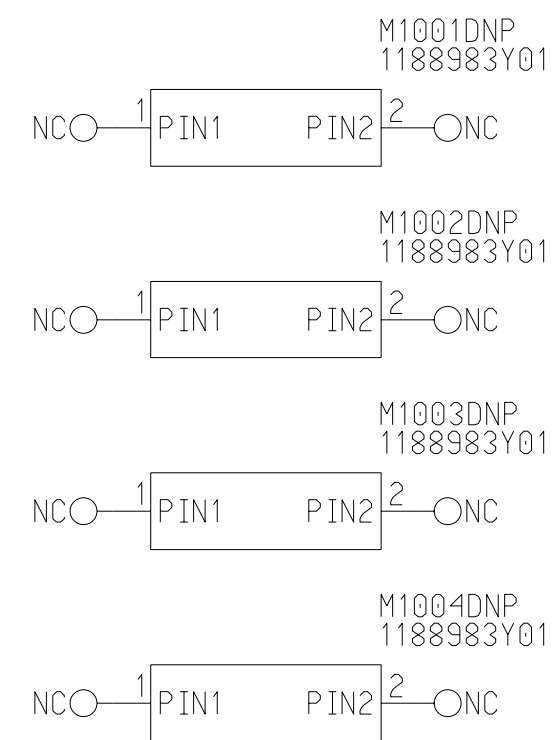
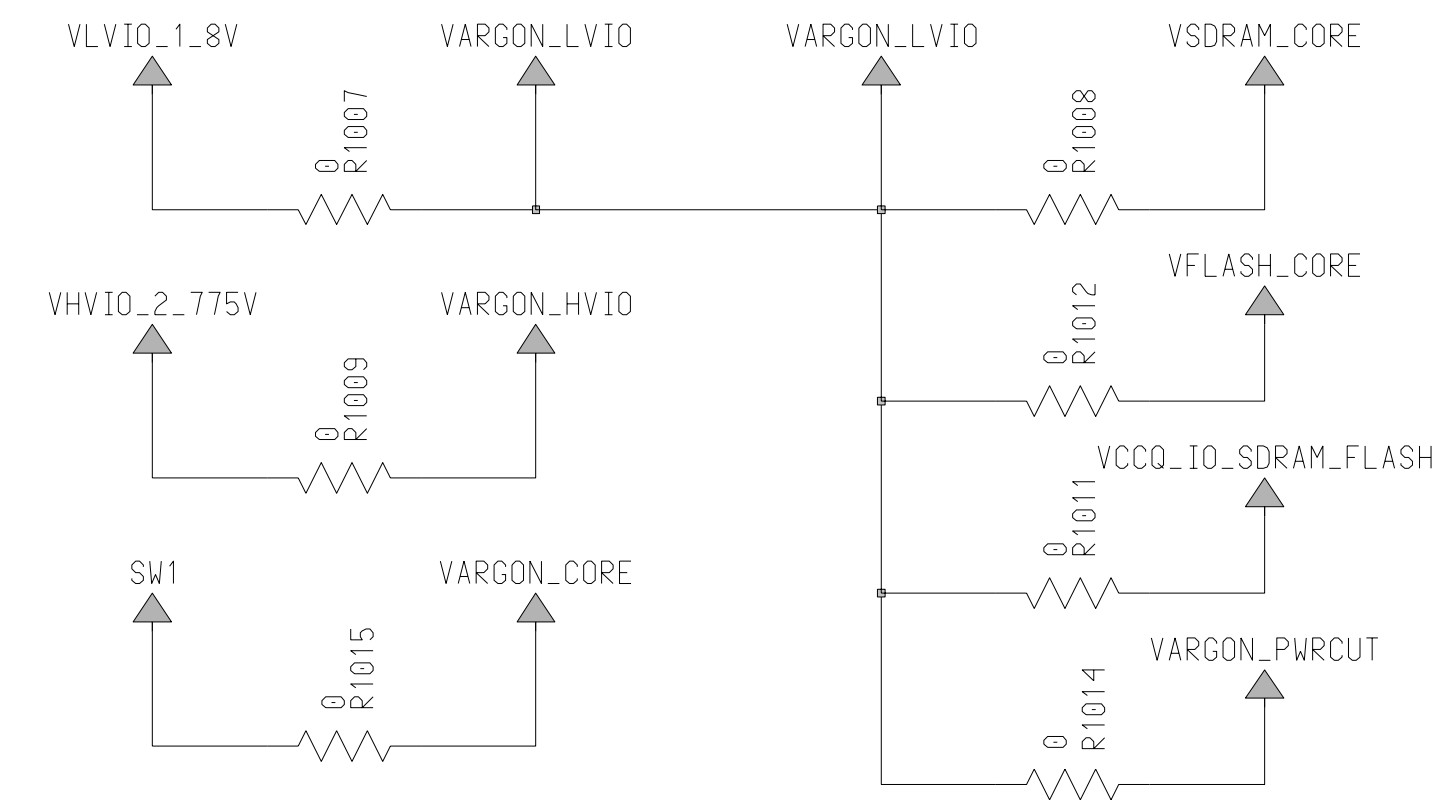
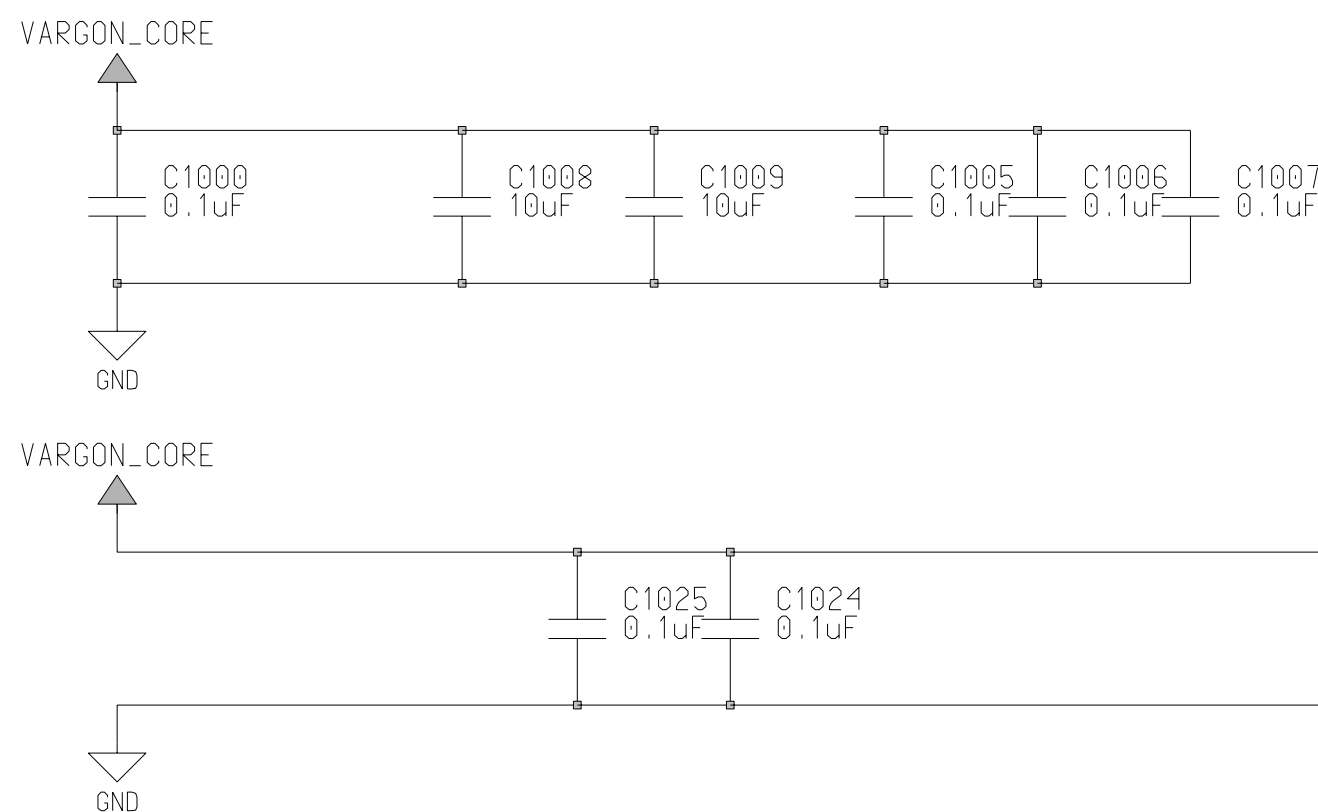
Engineer: G15829			
Drawn by: G15829			
R&D CHK:	TITLE: ARGON DSP	Size: 11x17	
DOC CTRL CHK:			
MFG CTRL CHK:			
QA CHK:	REV: 8xxxxxxx	Page: Of:	
Changed by:	Date:	Time:	



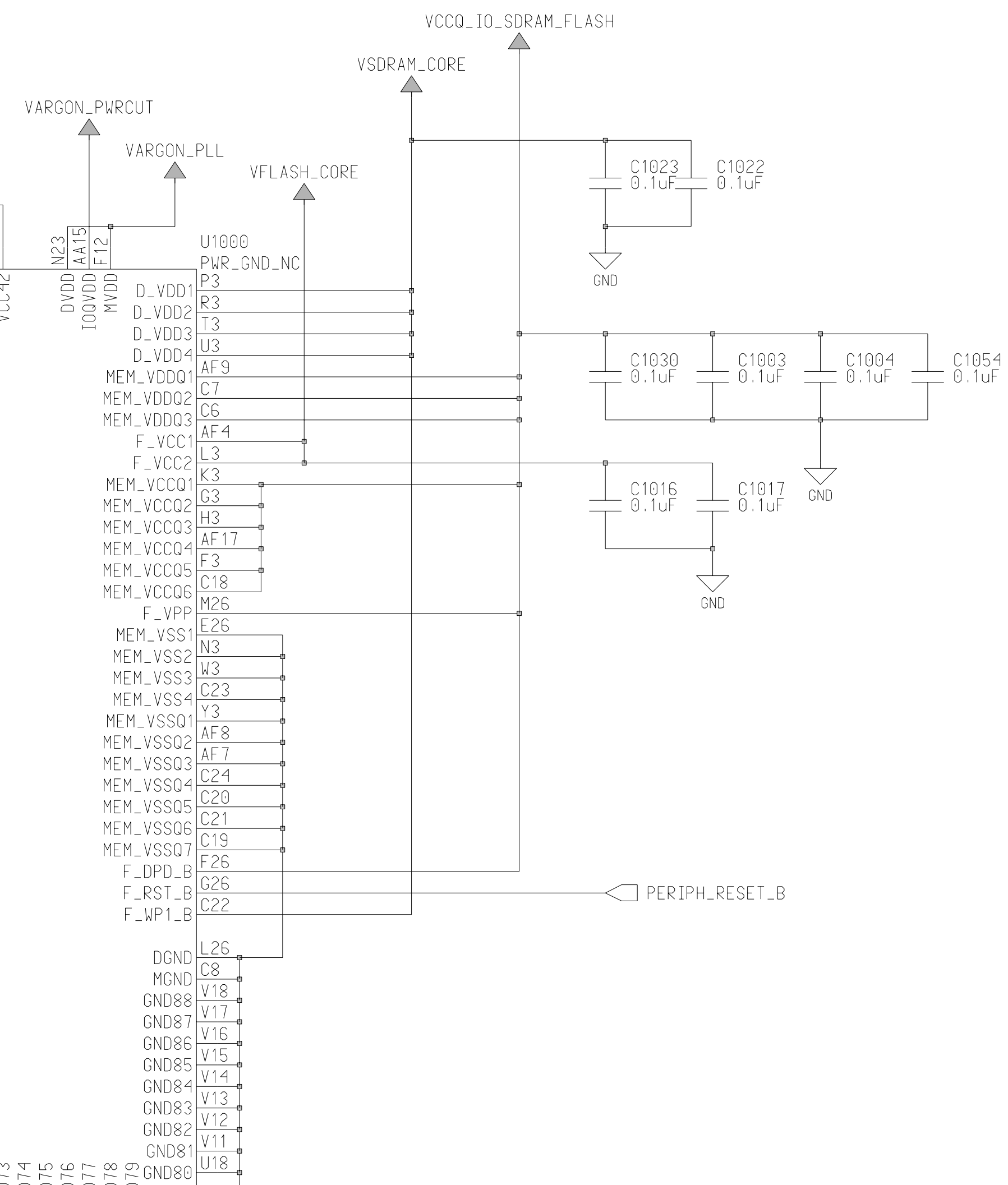
MOTOROLA CONFIDENTIAL PROPRIETARY


4 1 3 A

Engineer: G15829			
Drawn by: G15829			
R&D CHK:	TITLE: ARGON	Size: 11x17	
DOC CTRL CHK:	Core_Power		
MFG CTRL CHK:	REV:	Drawing Number:	Page:
QA CHK:	Date:	Time:	

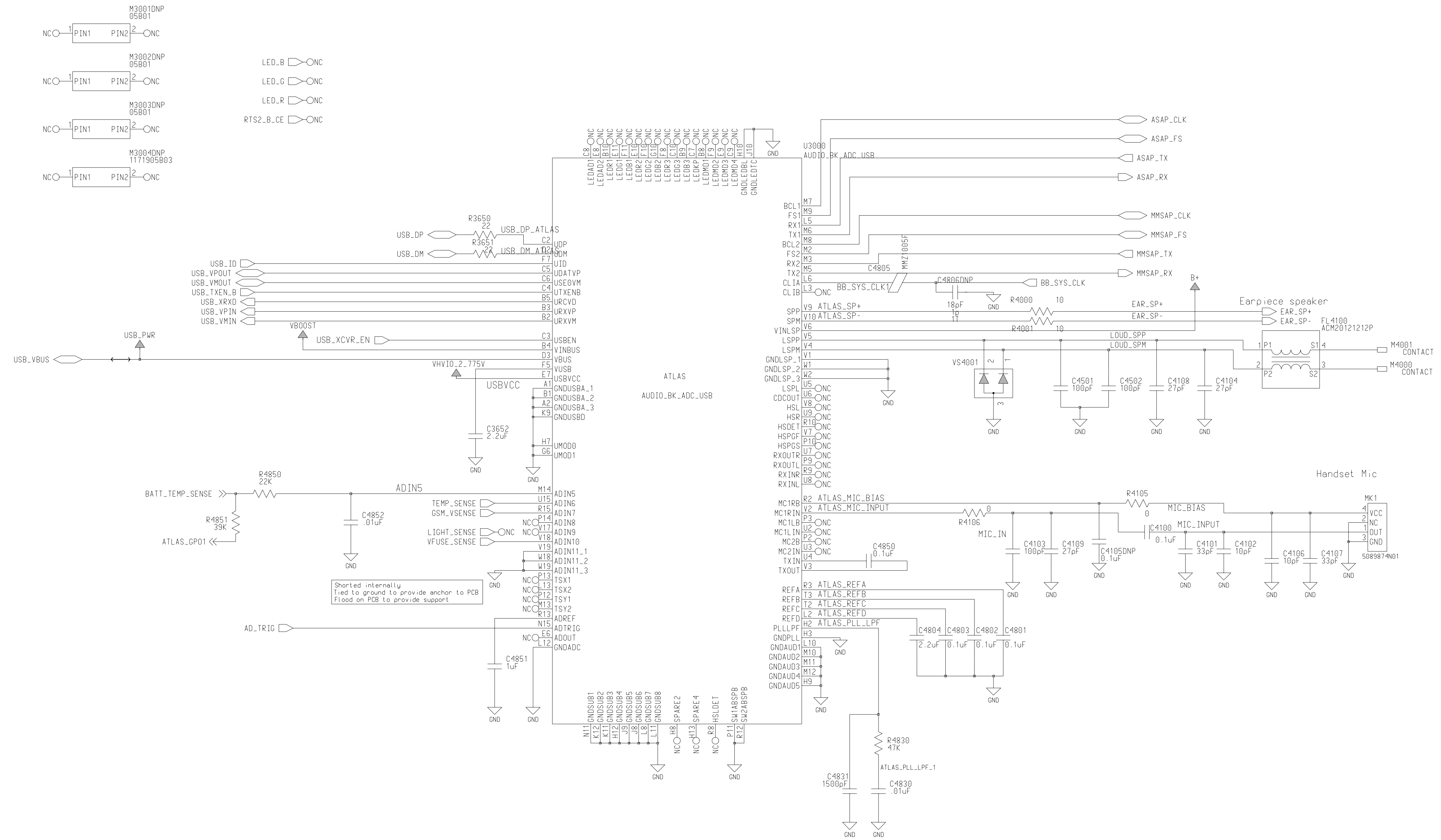


DEV ARGON LV 1.2 POP
CORE POWER, GROUND and NOT CONNECTED



Engineer: Nick Klezek			
Drawn by: Nick Klezek			
R&D CHK:	TITLE: ATLAS	Size: 11x21	
DOC CTRL CHK:	Audio		
MFG CTRL CHK:	REV:	Drawing Number:	Page:
QA CHK:			OF:
Changed by: W16564	Date: Monday, February 13, 2006	Time: 9:29:26 am	

A
B
C
D



MOTOROLA CONFIDENTIAL PROPRIETARY

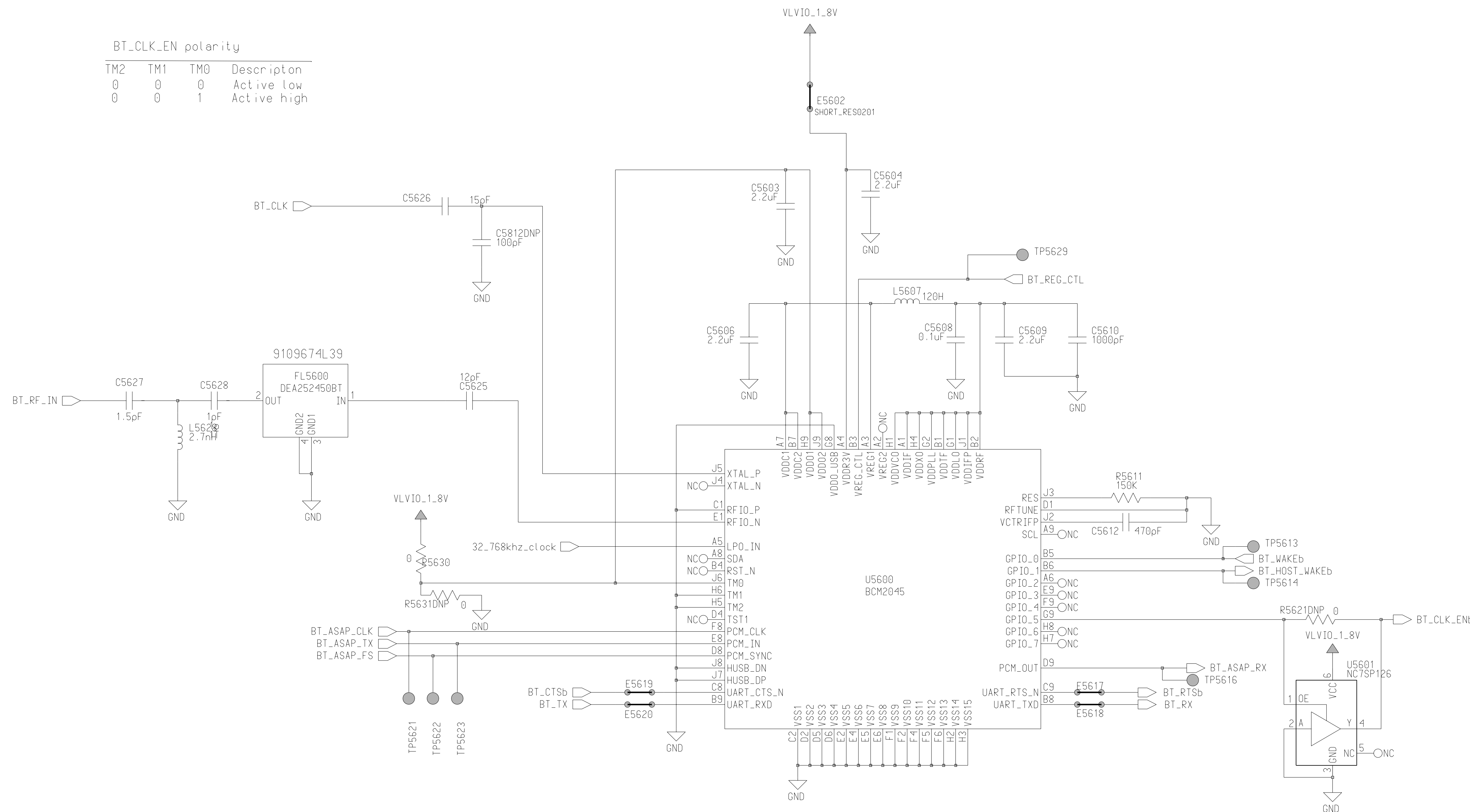
MOTOROLA INTERNAL USE ONLY

4 1 3 A

Engineer: Yun Sun Lee			
Drawn by: Yun Sun Lee			
R&D CHK:	TITLE: BLUETOOTH	Size: 11x17	
DOC CTRL CHK:	BLUETOOTH		
MFG CTRL CHK:	REV:	Drawing Number:	Page: Of:
QA CHK:	Date: Tuesday, August 31, 2004	Time: 3:47:09 pm	
Changed by: w17698			

BT_CLK_EN polarity

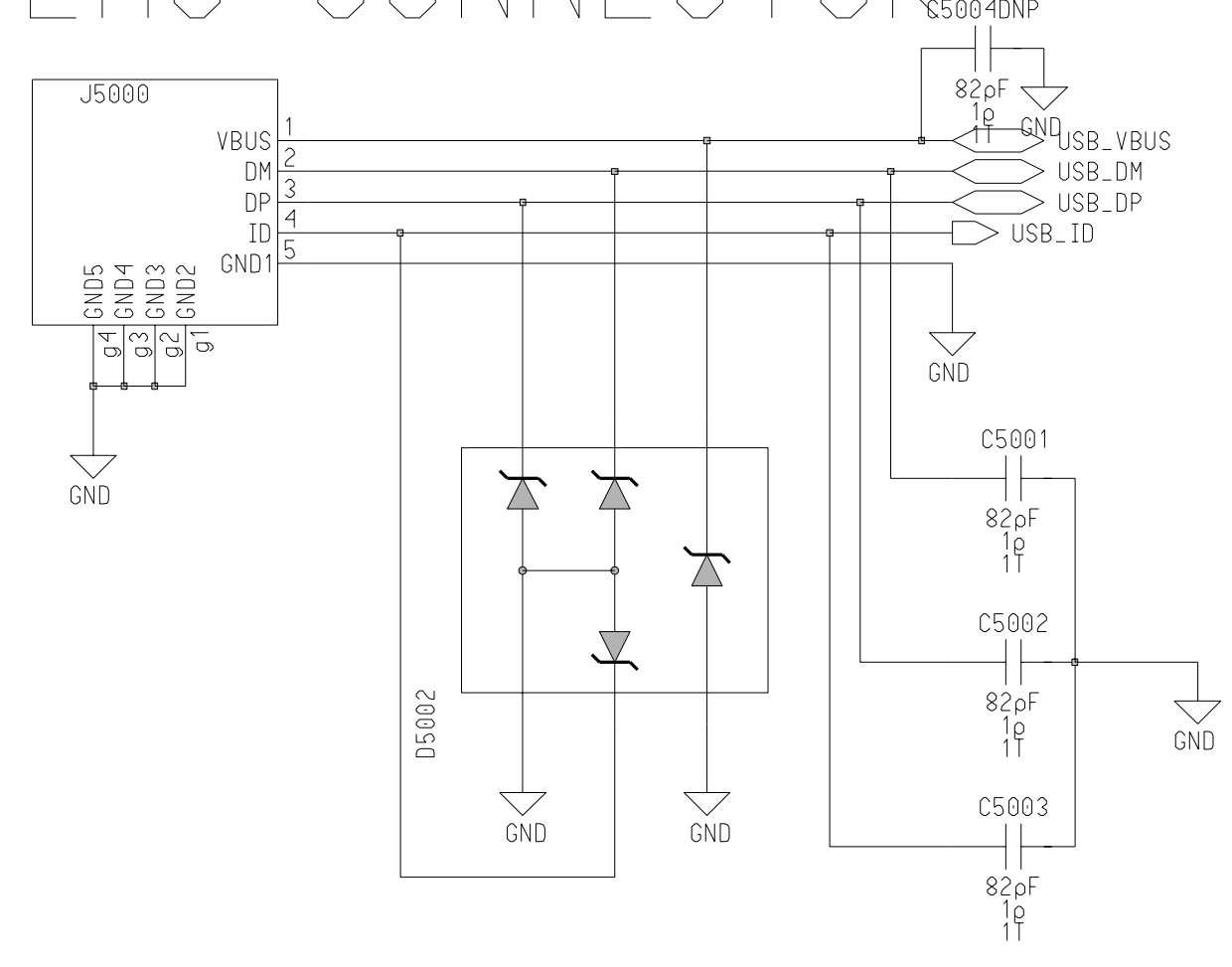
TM2	TM1	TM0	Description
0	0	0	Active low
0	0	1	Active high



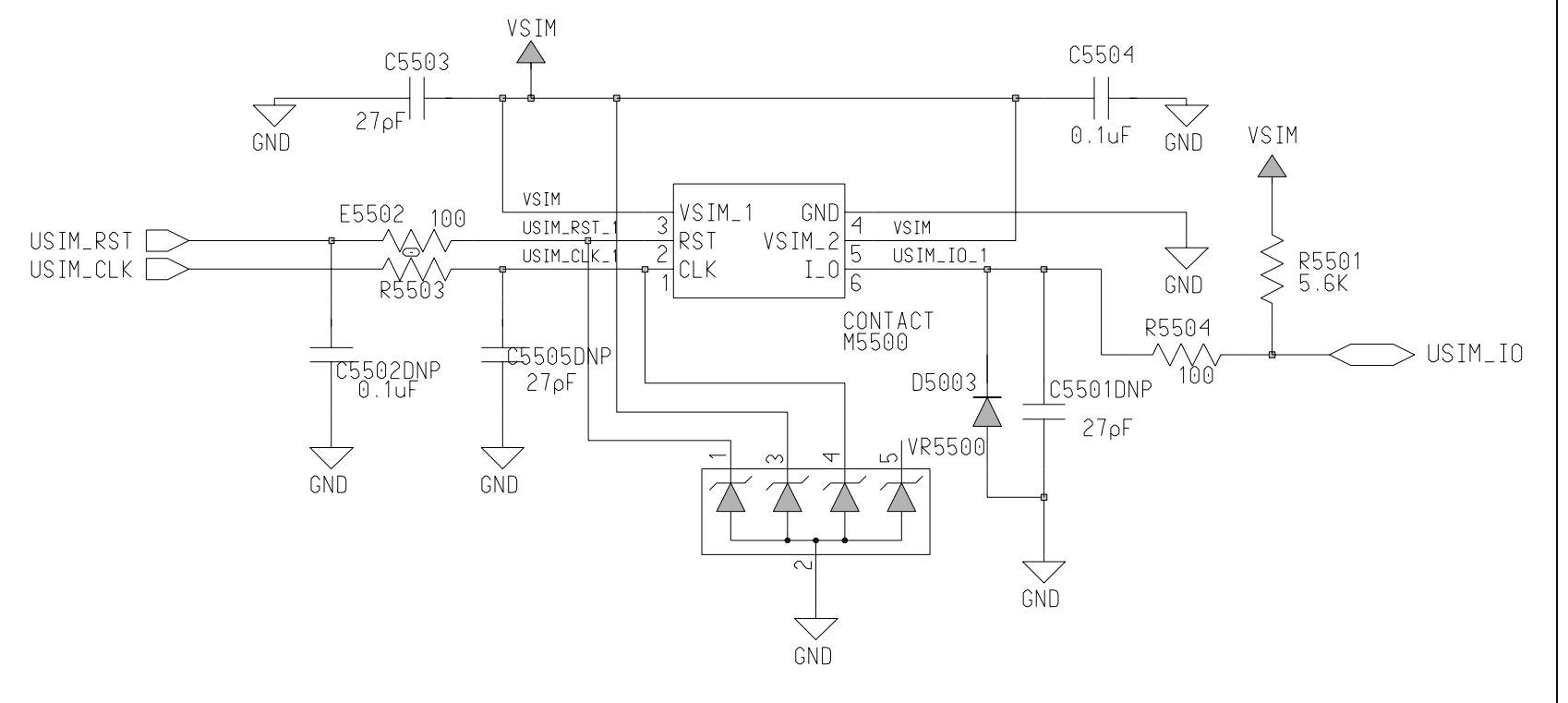
Engineer: Chris Pipe	MOTOROLA INC.	
Drawn by: Chris Pipe	TITLE: MISC_CONNECTORS	Size: 11x21
R&D CHK:	REV:	Page: OF:
DOC CTRL CHK:	Drawing Number:	
MFG CTRL CHK:		
QA CHK:	Date: Monday, February 13, 2006	Time: 9:23:31 am

WING EMU CONNECTOR

EMU CONNECTOR

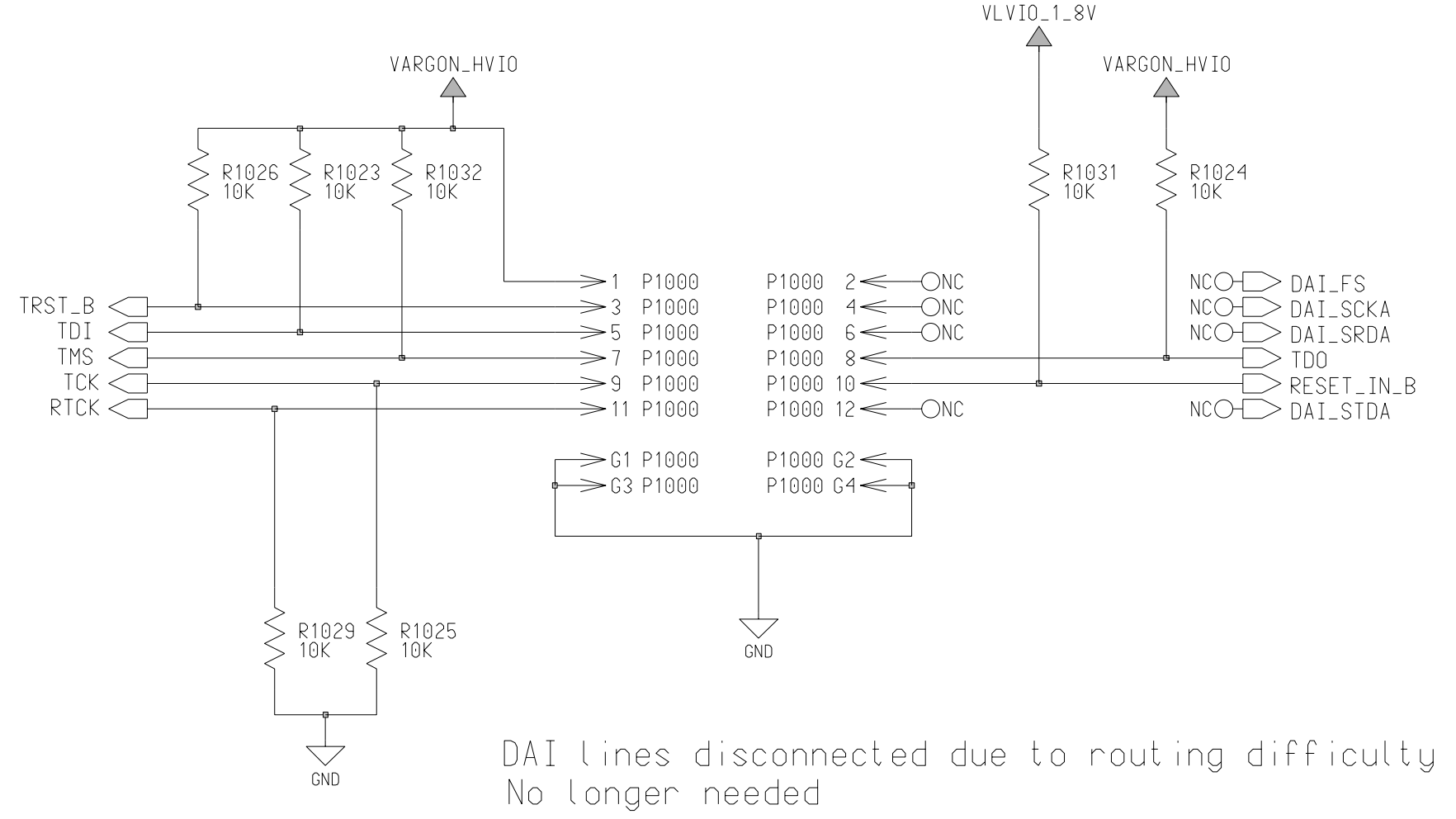


USIM

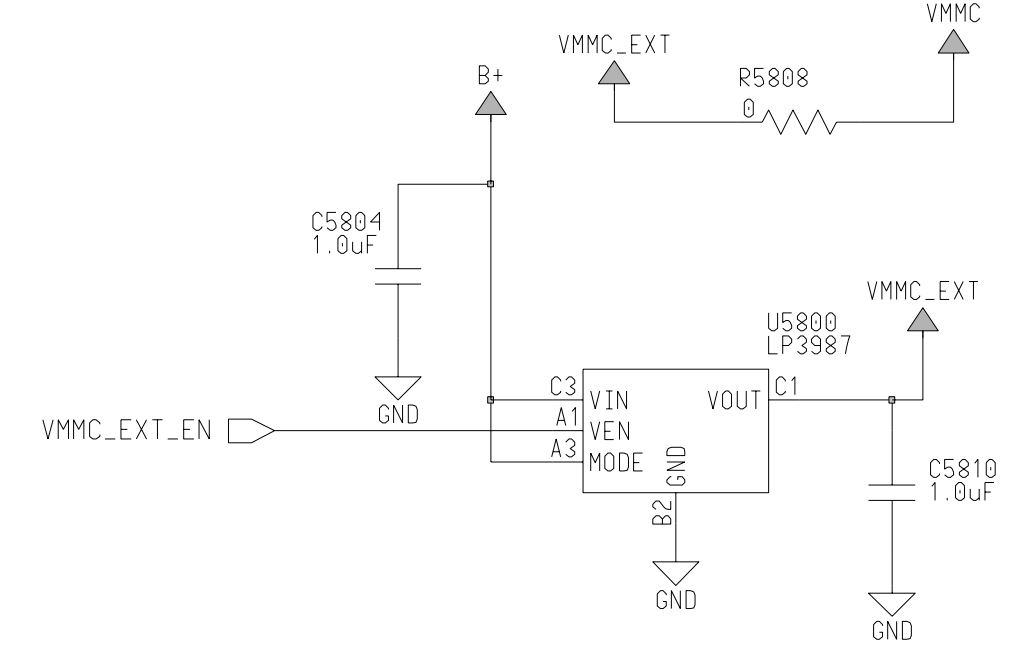
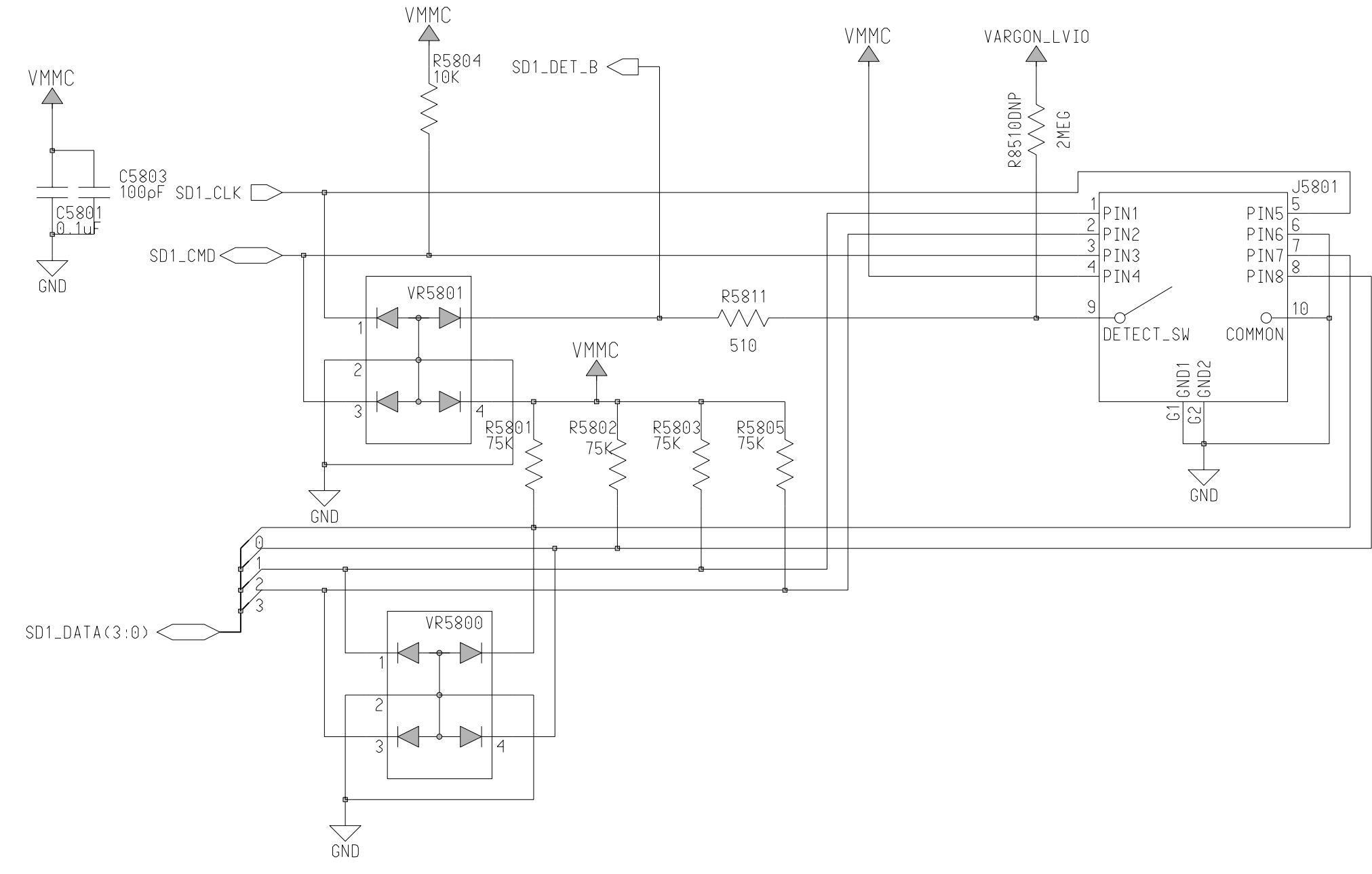


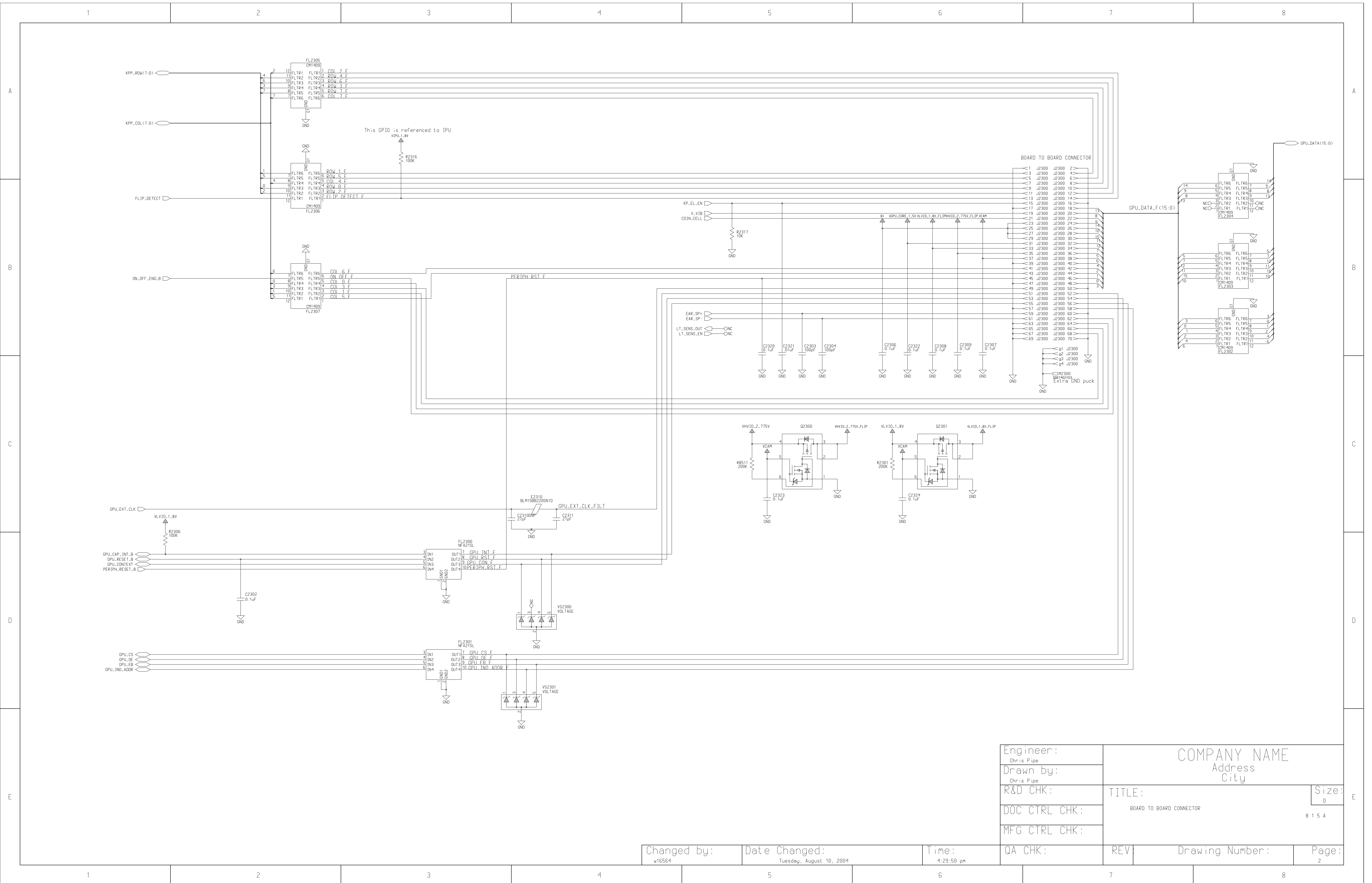
JTAG/DAI

12-pin JTAG connector



TRANSFLASH





Engineer: Chris Pipe	COMPANY NAME Address City		
Drawn by: Chris Pipe			
R&D CHK:	TITLE: BOARD TO BOARD CONNECTOR	Size: D	
DOC CTRL CHK:		8 1 5 A	
MFG CTRL CHK:			
QA CHK:	REV	Drawing Number:	
Changed by: w16564	Date Changed: Tuesday, August 10, 2004	Time: 4:29:50 pm	Page: 2