

MOTOROLA CONFIDENTIAL PROPRIETARY

4 1 3 A

Engineer:
Danny Ng
 Drawn by:
Danny Ng
 R&D CHK:
 DOC CTRL CHK:
 MFG CTRL CHK:
 QA CHK:

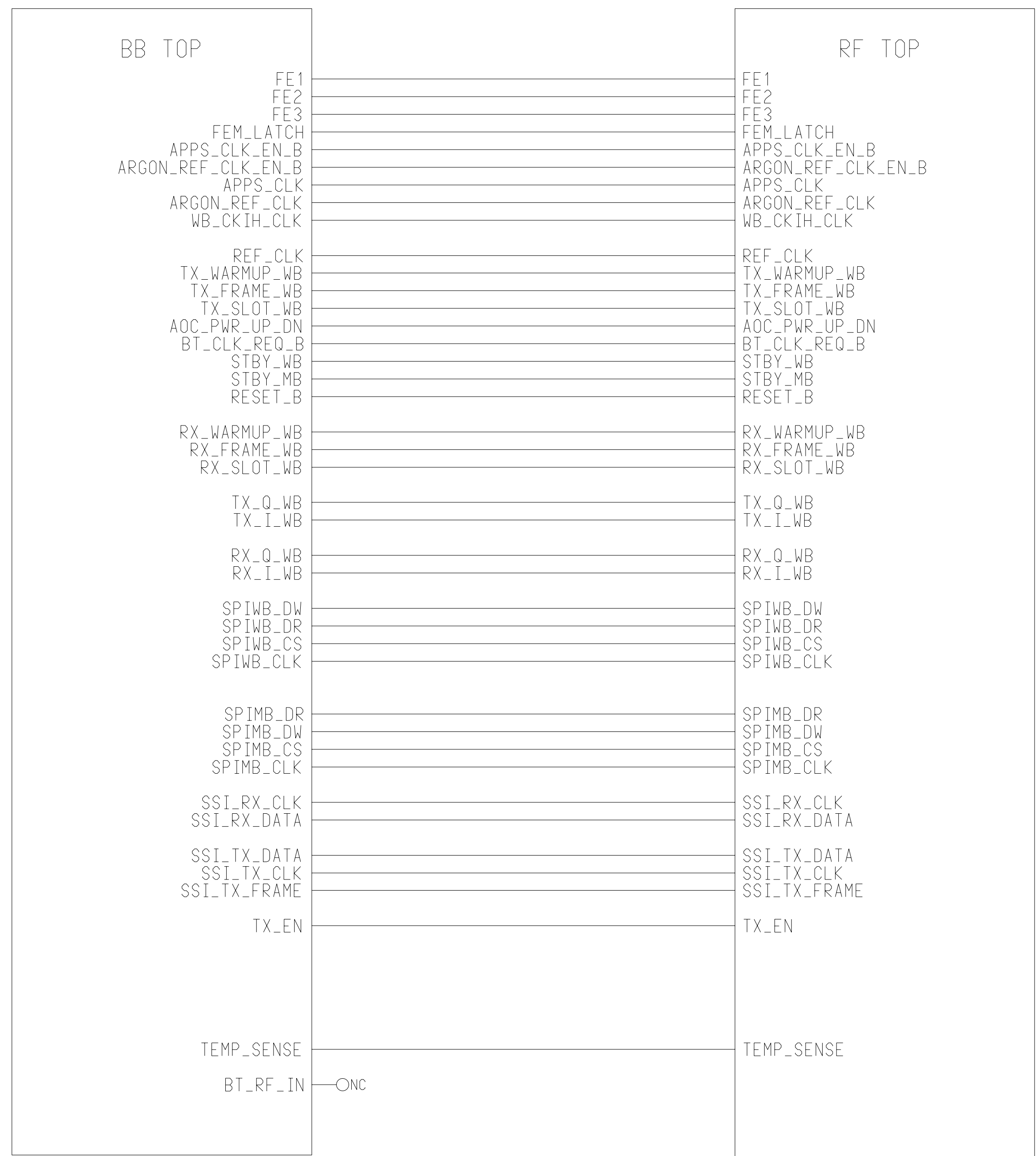


TITLE: IZAR NA
 Size: 11x17

Top Page

REV: P3 1 Drawing Number: 8471829E07_0 Page: 1 Of: 1

Changed by: w15660 Date: Thursday, October 5, 2006 Time: 3:20:28 pm



| Shield Location | Ref. Des. | Mot Part # |
|-----------------|-----------|------------|
| Argon | SH1 | 2671799E01 |
| TranSAAM | SH2 | 2671902E01 |
| MIC | SH3 | 2671901E01 |
| Symphony | SH4 | 2671900E01 |
| JTAG | SH5 | 2671904E01 |
| Atlas | SH6 | 2671905E01 |
| Bluetooth | SH7 | 2671903E01 |
| PA | SH8 | 2671907E01 |
| FEM | SH9 | 2671906E01 |
| LNA | SH10 | 2671908E01 |
| TCX0 | SH11 | 2671909E01 |

A

B

C

D

MOTOROLA CONFIDENTIAL PROPRIETARY

MOTOROLA INTERNAL USE ONLY

4 1 3 A

Engineer:
Yun Sun Lee

Drawn by:
Yun Sun Lee

R&D CHK:

DOC CTRL CHK:

MFG CTRL CHK:

QA CHK:



TITLE: IZAR NA Bluetooth

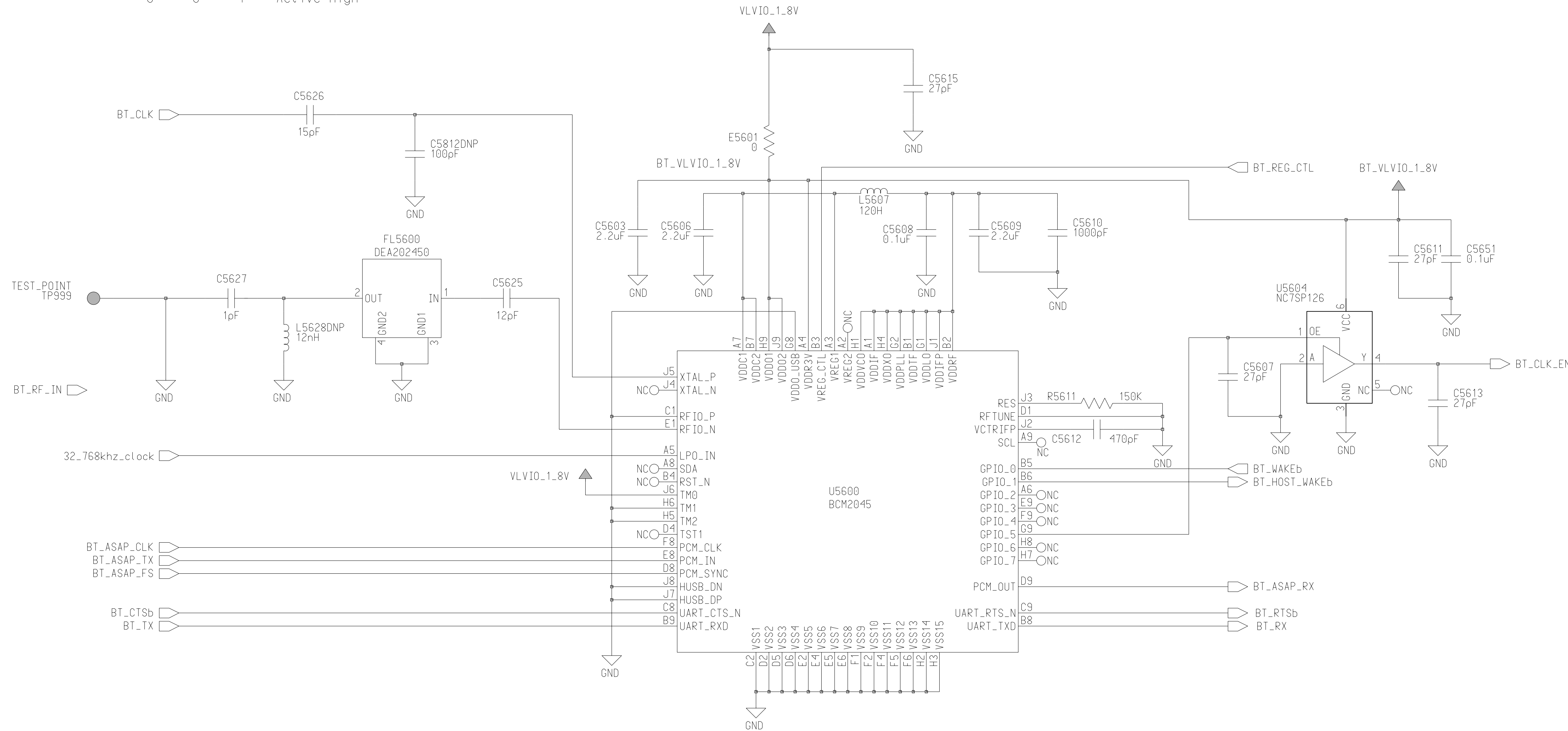
Size: 11x17

REV: Drawing Number: Page: Of:

Changed by: w17698 Date: Tuesday, August 31, 2004 Time: 3:47:09 pm

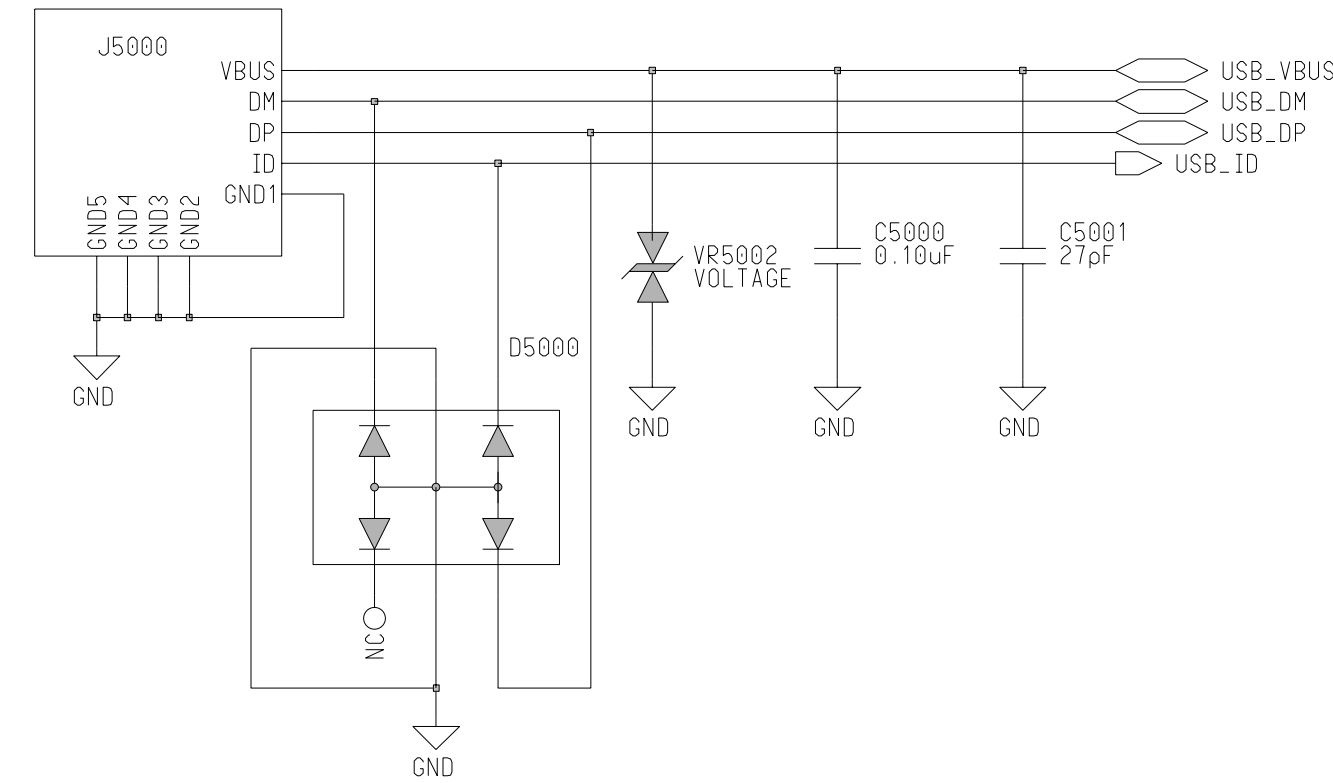
BT_CLK_EN polarity

| TM2 | TM1 | TM0 | Description |
|-----|-----|-----|-------------|
| 0 | 0 | 0 | Active low |
| 0 | 0 | 1 | Active high |

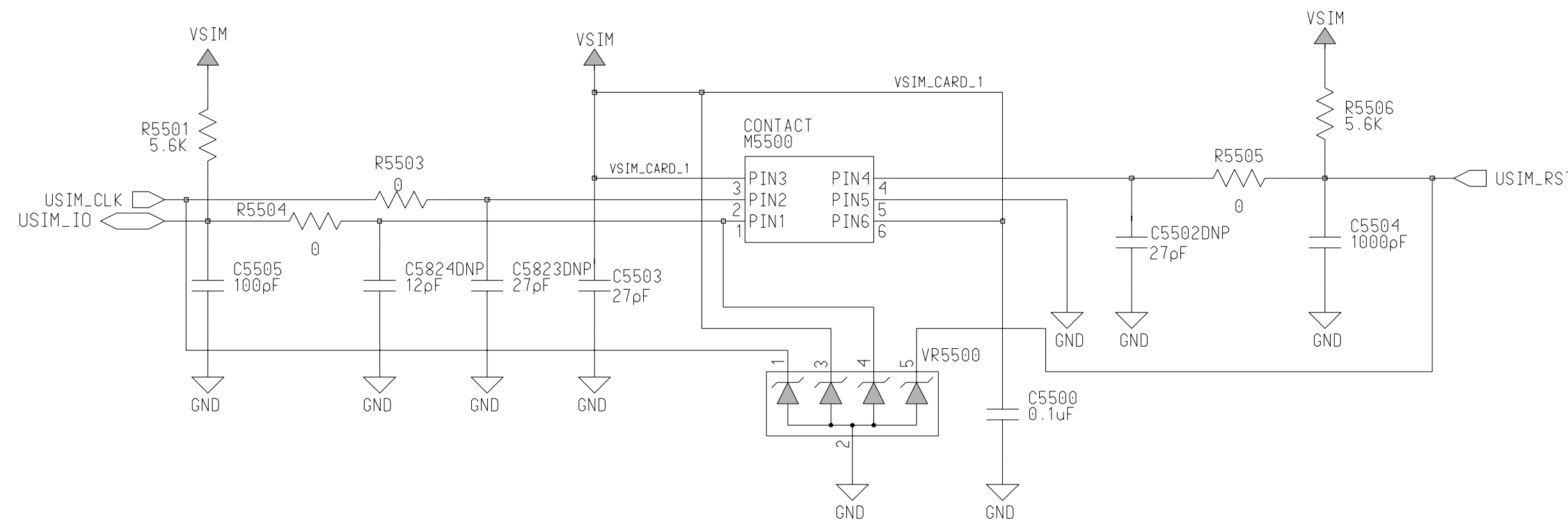


| | | | | |
|-------------------------|------------------------------------|-----------------|-------|---------------------|
| Engineer: Chris Pipe | TITLE: MISC_CONNECTORS | | | Size: 11x21 |
| Drawn by: Chris Pipe | | | | |
| R&D CHK: | | | | |
| DOC CTRL CHK: | | | | |
| MFG CTRL CHK: | | | | |
| QA CHK: | REV: | Drawing Number: | Page: | OF: |
| Changed by: W16564 | Date: Monday, February 13, 2006 | | | Time: 9:23:31 am |

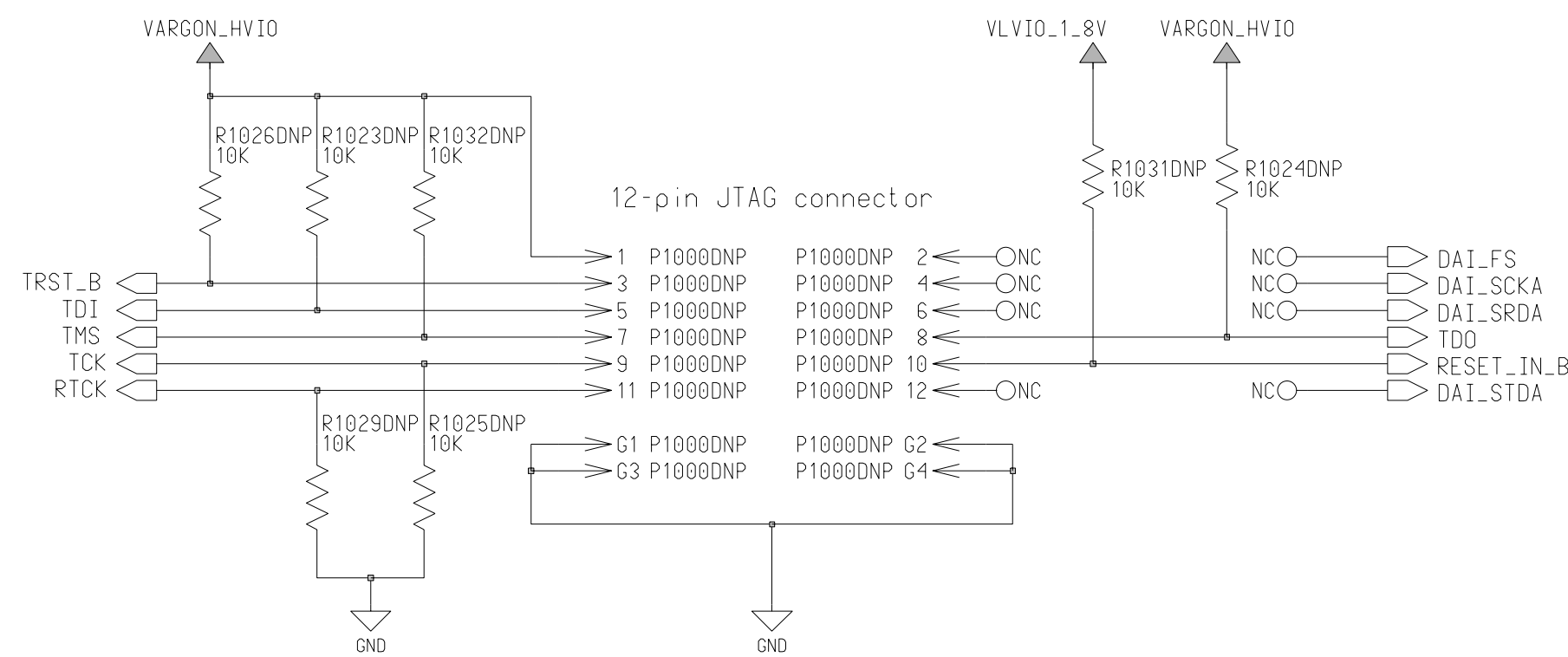
EMU CONNECTOR



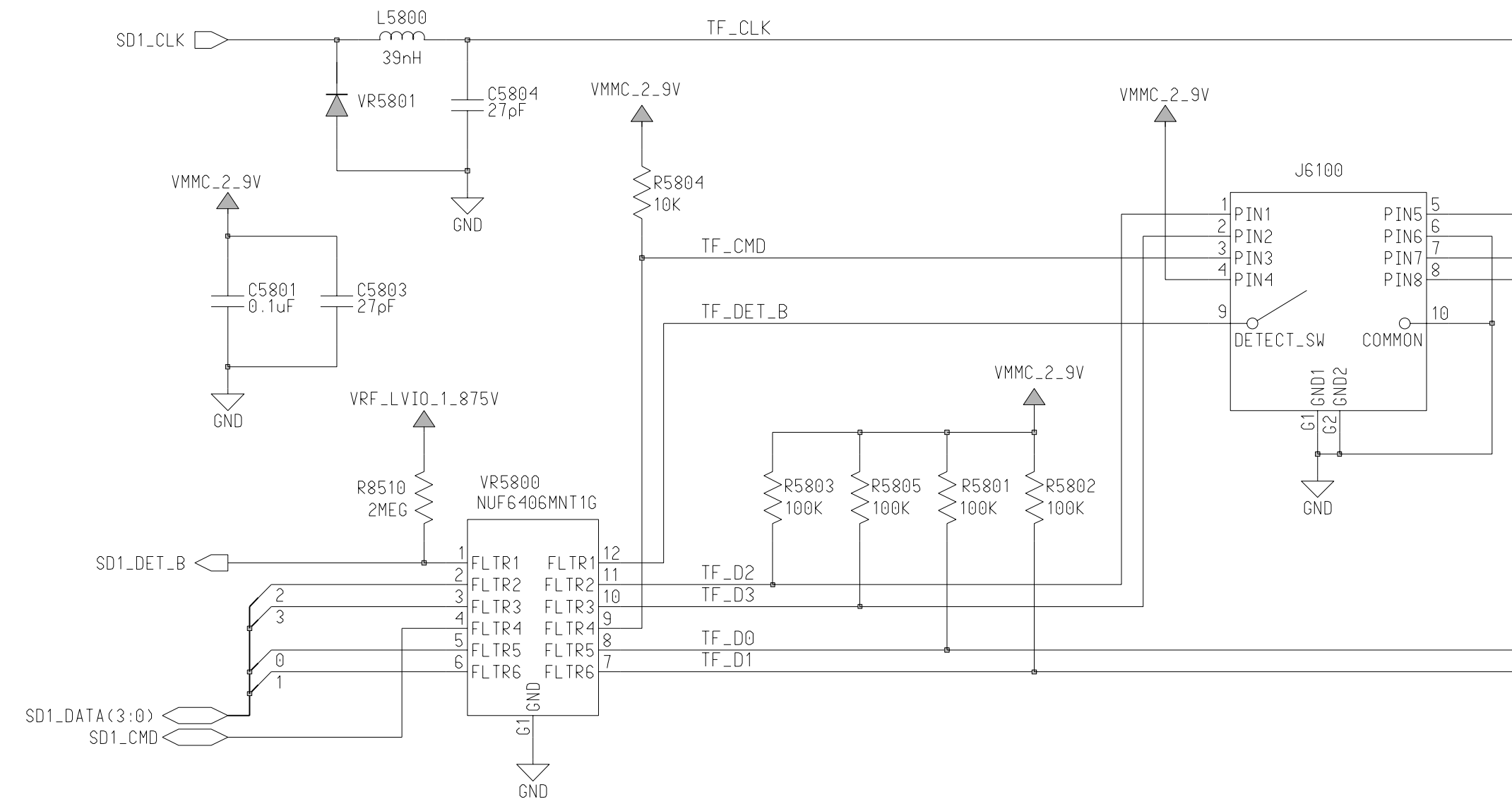
USIM

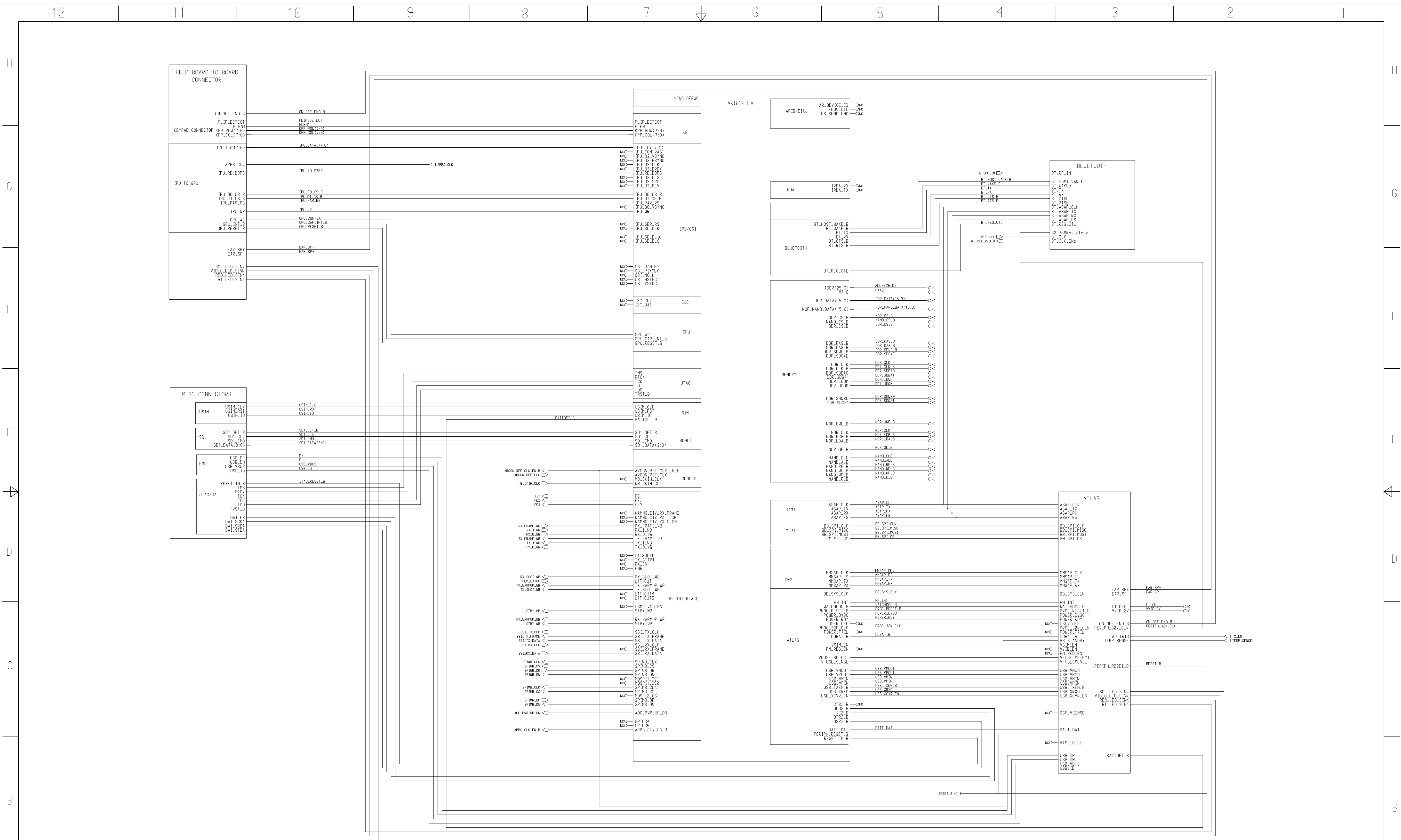


JTAG/DAI

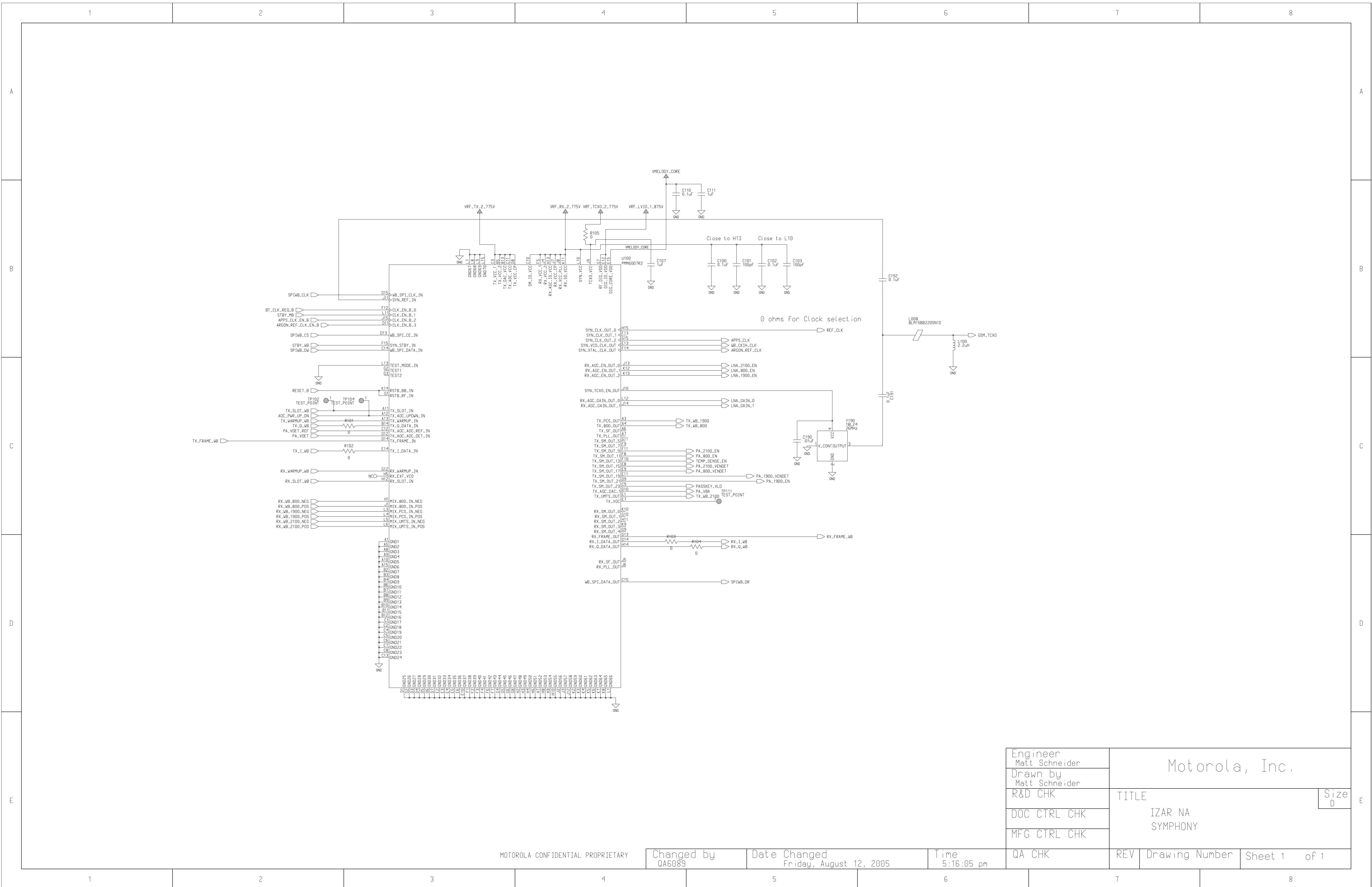


TRANSFLASH





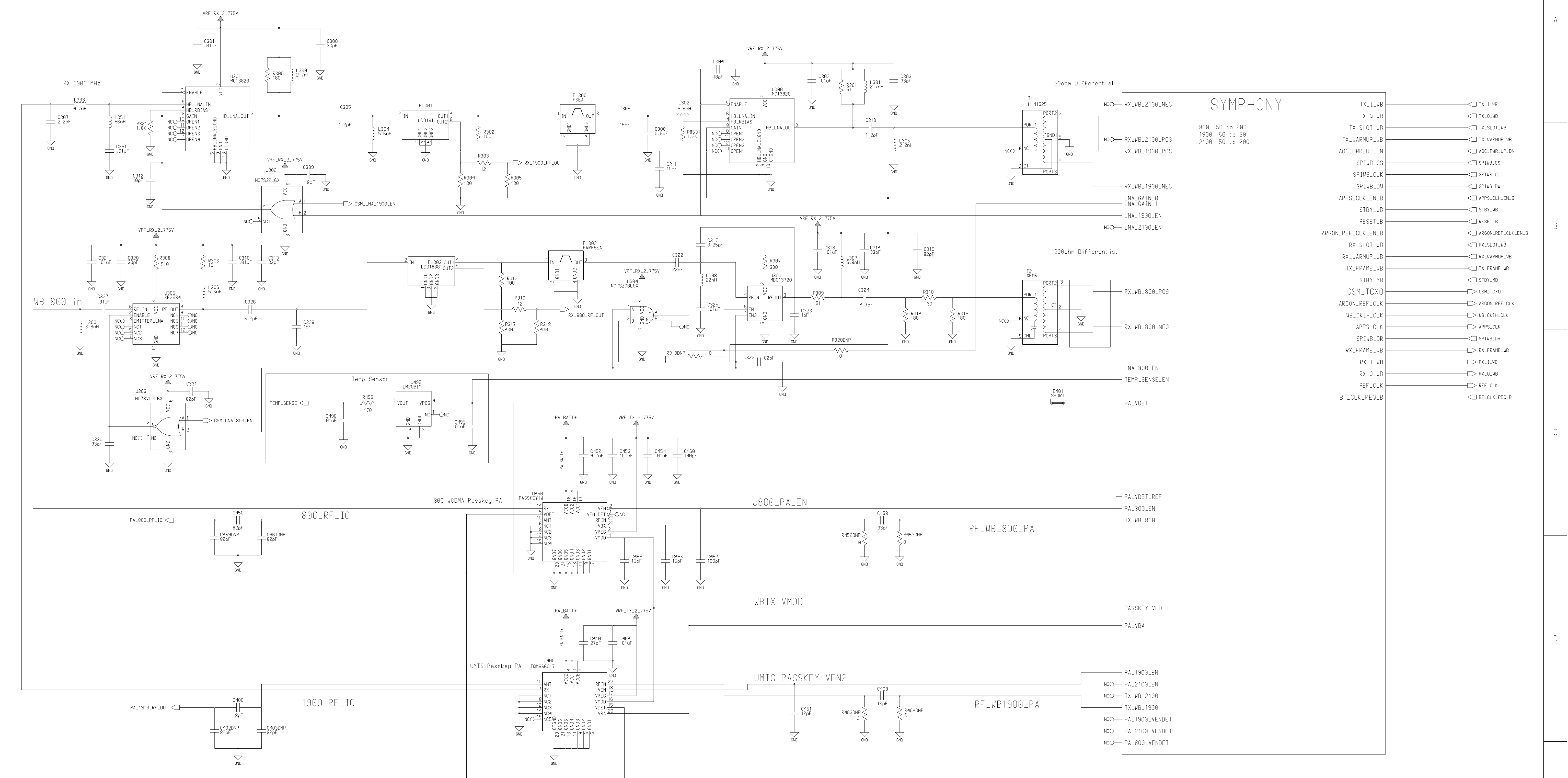
| APPROVALS | | DATE | MOTOROLA | | |
|---|----------|----------|-------------------------|-----------|--------|
| ORIGINALLY DESIGNED BY: | Danny Ng | | TITLE | | |
| CHANGED BY: | changed | 4/3/2006 | IZAR NA Baseband Top | | |
| ELECTRICAL ENGINEER | Danny Ng | | SIZE | CAGE CODE | DWG NO |
| MOTOROLA CONFIDENTIAL PROPRIETARY THE DRAWING ON THIS PRINT AND INFORMATION THEREWITH ARE PROPRIETARY TO MOTOROLA AND SHALL NOT BE USED OR DISCUSSED IN WHOLE OR IN PART WITHOUT MOTOROLA'S CONSENT. © COPYRIGHT, MOTOROLA, THIS DOES NOT IMPLY PUBLICATION | | | A1 | | |
| | | | CAD FILE NAME | | SHEET |



| | | | |
|----------------------------|------------------|----------------|--------------|
| Engineer Matt Schneider | Motorola, Inc. | | |
| Drawn by Matt Schneider | | | |
| R&D CHK | TITLE | Size D | |
| DOC CTRL CHK | IZAR NA SYMPHONY | | |
| MFG CTRL CHK | REV | Drawing Number | Sheet 1 of 1 |
| QA CHK | | | |

MOTOROLA CONFIDENTIAL PROPRIETARY Changed by QA6089 Date Changed Friday, August 12, 2005 Time 5:16:05 pm

Dual Band LNA 3x3 (2100 only)
Ref Des 300-349

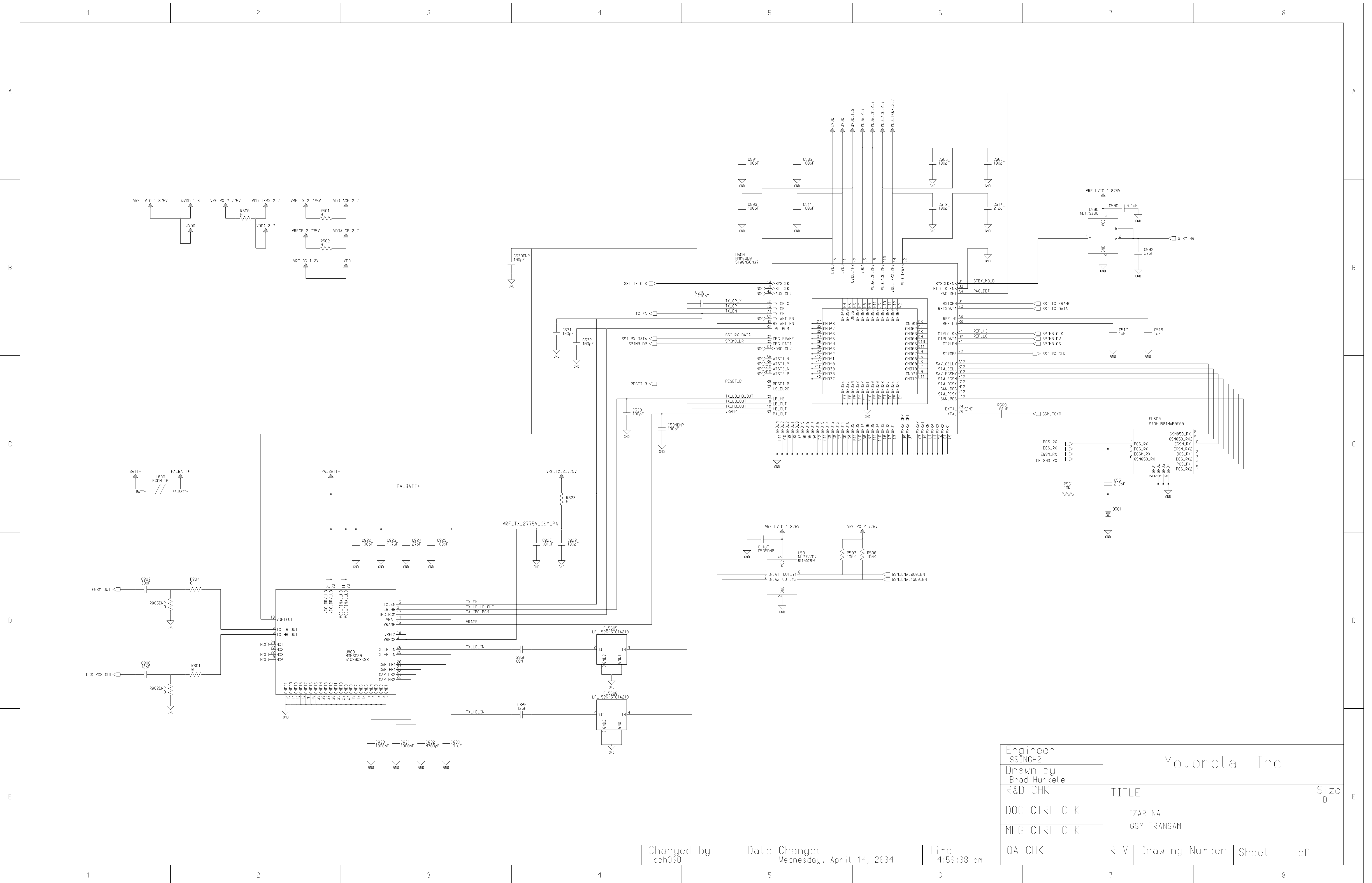


SYMPHONY

800: 50 to 200
1900: 50 to 50
2100: 50 to 200

| | | |
|----------------|--------------------|--------------------|
| RX_WB_2100_NEG | TX_I_WB | TX_I_WB |
| RX_WB_2100_POS | TX_O_WB | TX_O_WB |
| RX_WB_1900_POS | TX_SLOT_WB | TX_SLOT_WB |
| RX_WB_1900_NEG | TX_WARMUP_WB | TX_WARMUP_WB |
| LNA_GAIN_0 | AOC_PWR_UP_DN | AOC_PWR_UP_DN |
| LNA_GAIN_1 | SPI_WB_CS | SPI_WB_CS |
| LNA_1900_EN | SPI_WB_CLK | SPI_WB_CLK |
| LNA_2100_EN | SPI_WB_DW | SPI_WB_DW |
| | APPS_CLK_EN_B | APPS_CLK_EN_B |
| | STBY_WB | STBY_WB |
| | RESET_B | RESET_B |
| | ARGON_REF_CLK_EN_B | ARGON_REF_CLK_EN_B |
| | RX_SLOT_WB | RX_SLOT_WB |
| | RX_WARMUP_WB | RX_WARMUP_WB |
| | TX_FRAME_WB | TX_FRAME_WB |
| | STBY_MB | STBY_MB |
| | GSM_TCXO | GSM_TCXO |
| | ARGON_REF_CLK | ARGON_REF_CLK |
| | WB_CLKH_CLK | WB_CLKH_CLK |
| | APPS_CLK | APPS_CLK |
| | SPI_WB_DR | SPI_WB_DR |
| | RX_FRAME_WB | RX_FRAME_WB |
| | RX_I_WB | RX_I_WB |
| | RX_O_WB | RX_O_WB |
| | REF_CLK | REF_CLK |
| | BT_CLK_REQ_B | BT_CLK_REQ_B |

| | | | |
|----------------------------|----------------|----------------|----------|
| Engineer Matt Schneider | Motorola, Inc. | | |
| Drawn by Matt Schneider | | | |
| R&D CHK | TITLE | Size | |
| DOC CTRL CHK | IZAR NA | D | |
| MFG CTRL CHK | WCDMA | | |
| QA CHK | REV | Drawing Number | Sheet of |

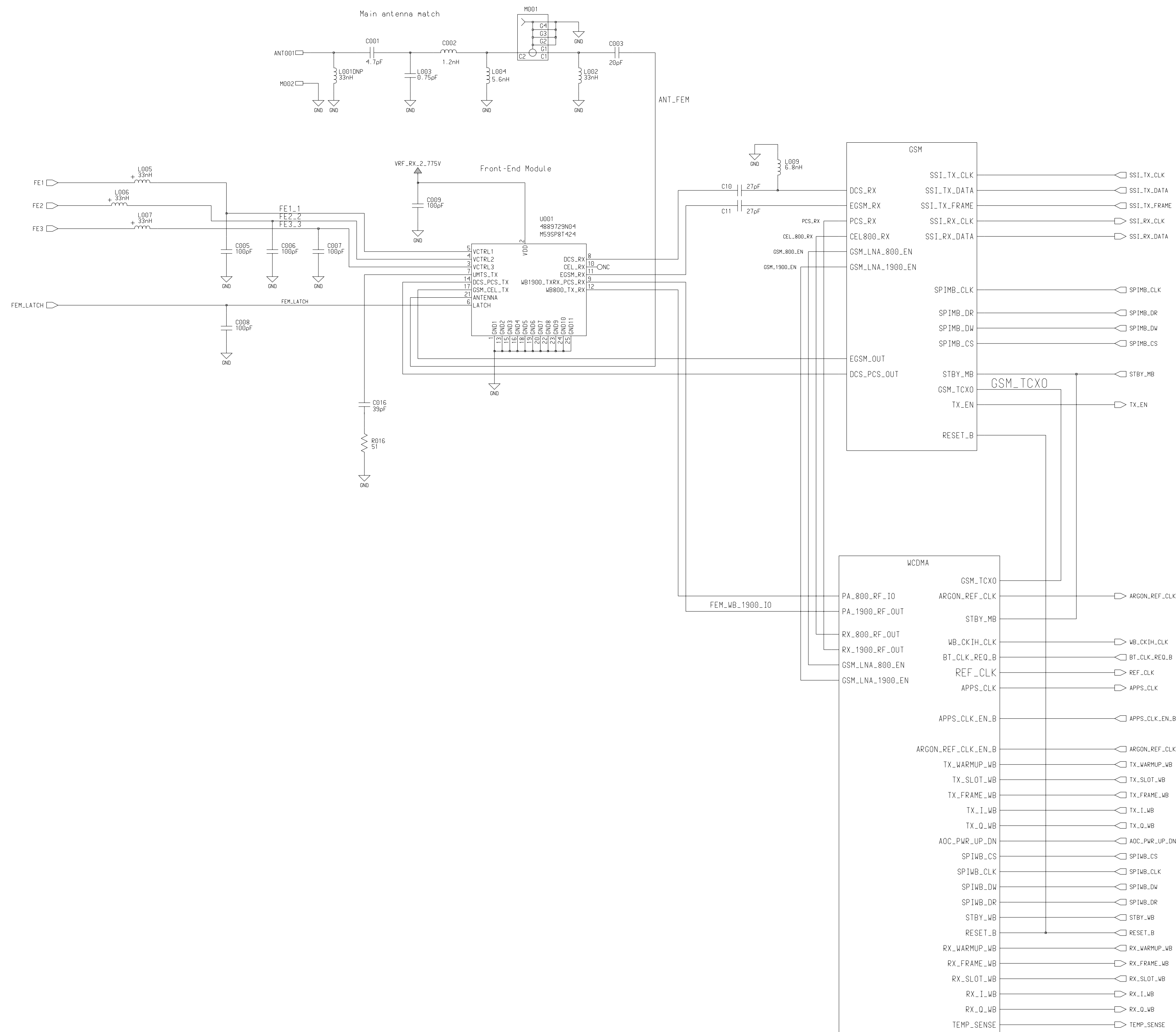


| | | | |
|---------------------------|----------------|----------------|----------|
| Engineer SSINGH2 | Motorola, Inc. | | |
| Drawn by Brad Hunkeler | | | |
| R&D CHK | TITLE | Size D | |
| DOC CTRL CHK | IZAR NA | | |
| MFG CTRL CHK | GSM TRANSAM | | |
| QA CHK | REV | Drawing Number | Sheet of |

Changed by
cbh030

Date Changed
Wednesday, April 14, 2004

Time
4:56:08 pm

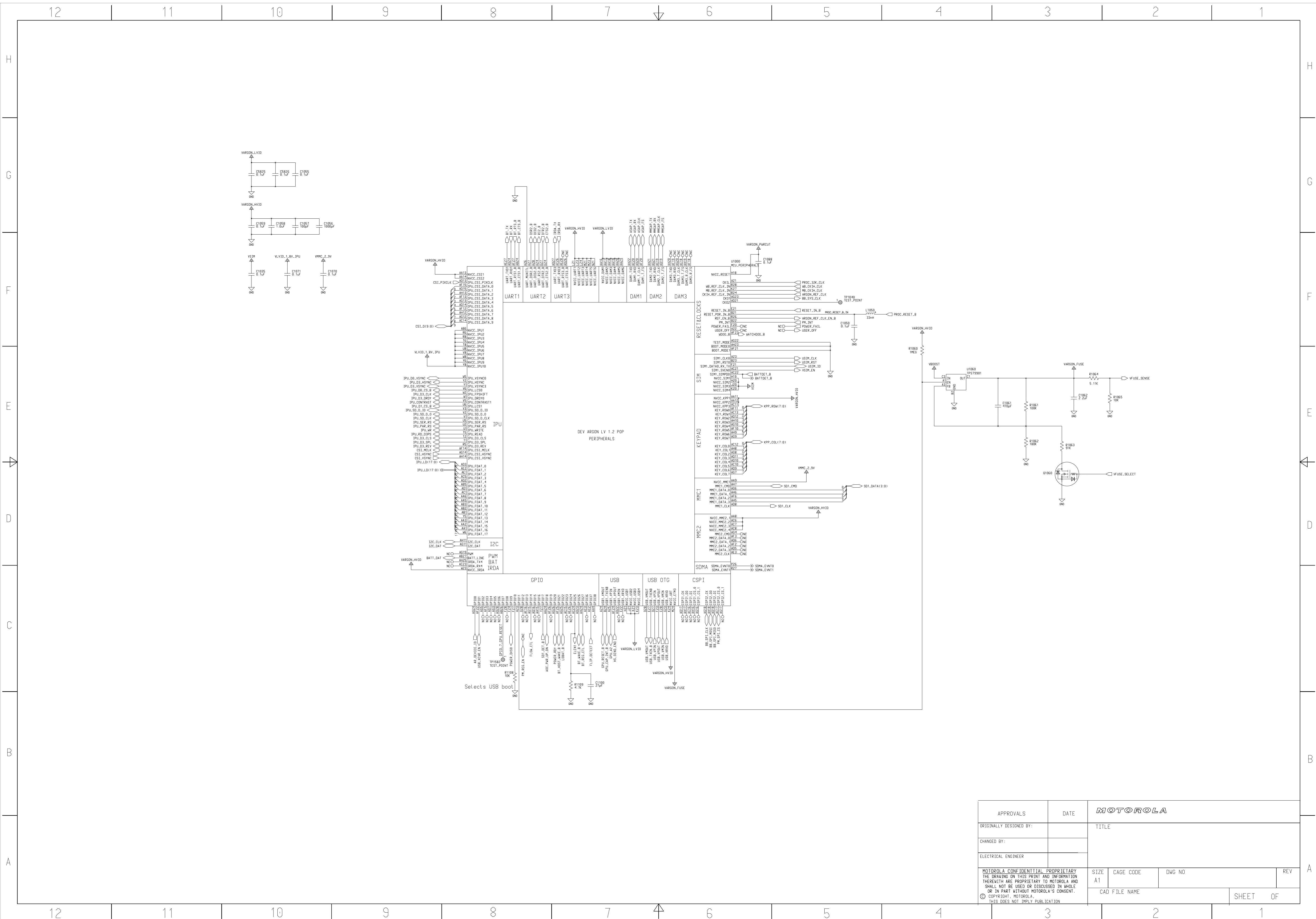


| | | | |
|---------------------|----------------|----------------|----------|
| Engineer SSINGH2 | Motorola, Inc. | | |
| Drawn by SSINGH2 | | | |
| R&D CHK | TITLE | Size | |
| DOC CTRL CHK | IZAR NA | D | |
| MFG CTRL CHK | RF TOP | | |
| QA CHK | REV | Drawing Number | Sheet of |

Changed by
cbh030

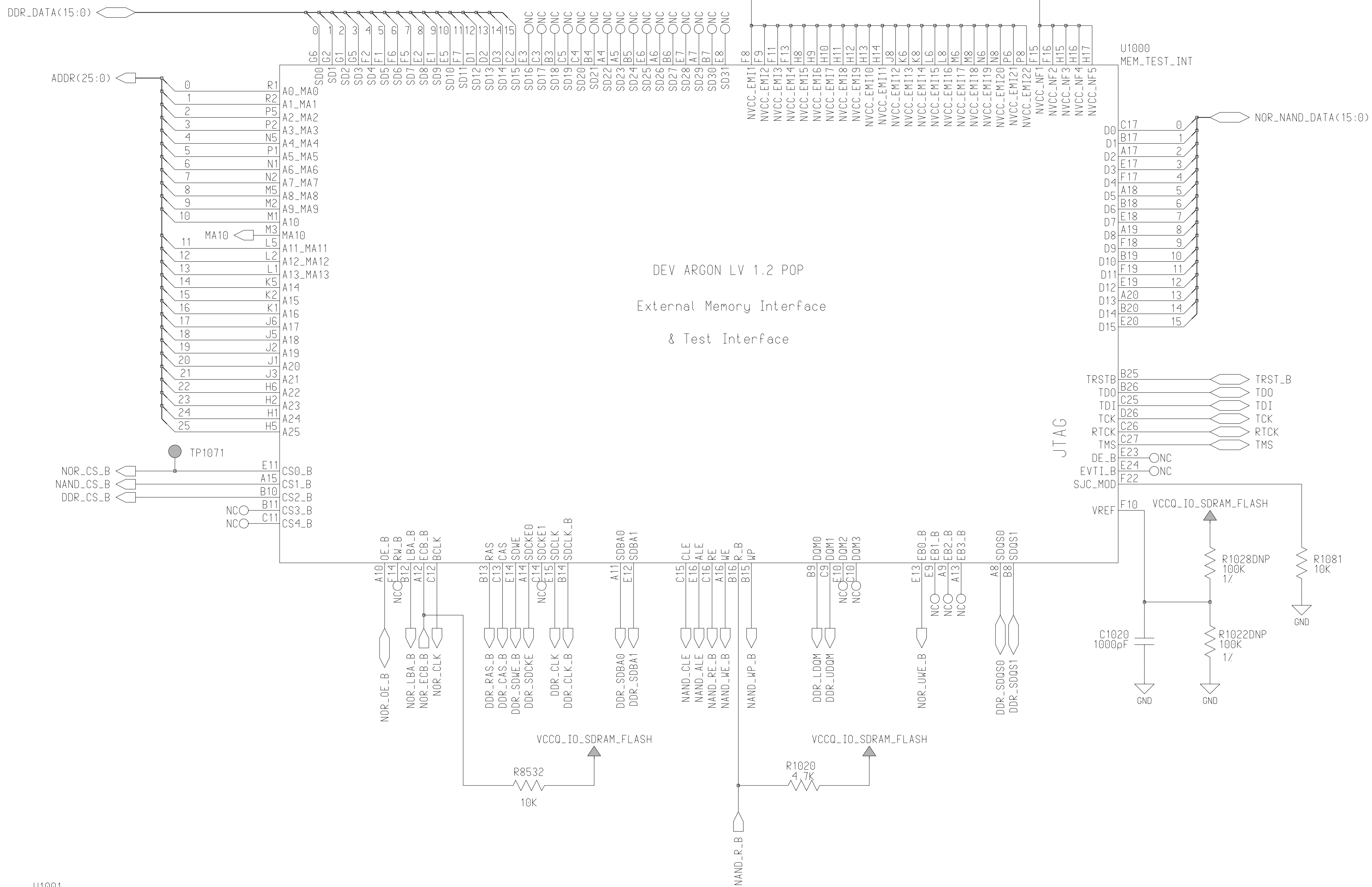
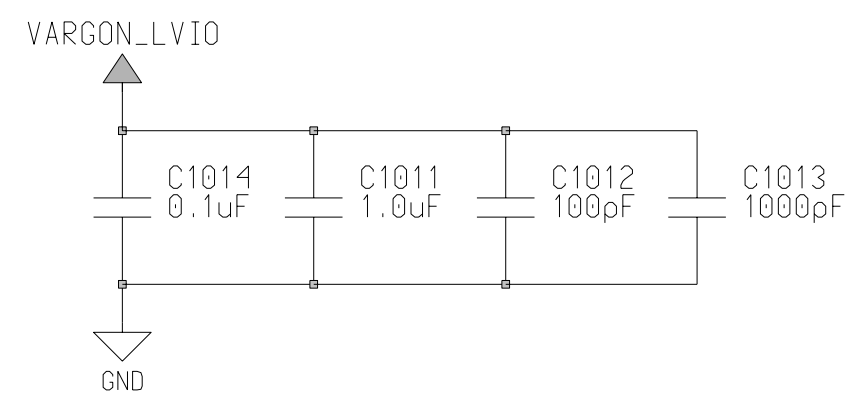
Date Changed
Friday, 2 June 2006

Time
3:23 PM

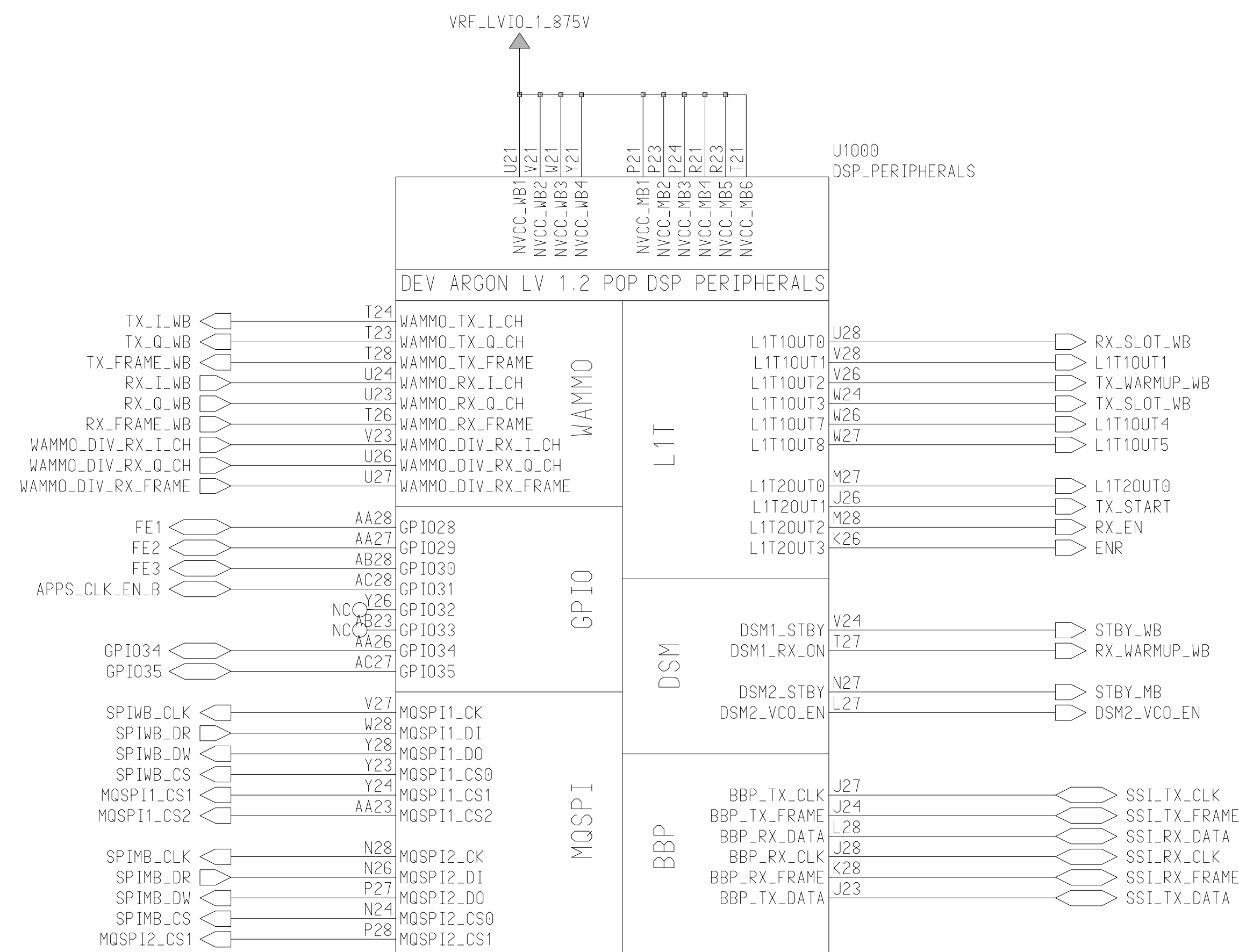
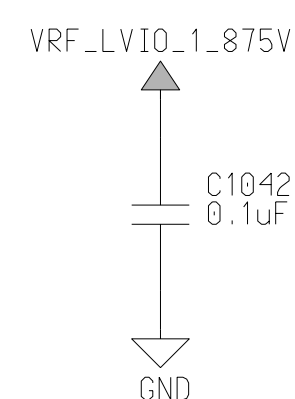



| | | | | | |
|---|------|---------------|-----------|----------|-----|
| APPROVALS | DATE | MOTOROLA | | | |
| ORIGINALLY DESIGNED BY: | | TITLE | | | |
| CHANGED BY: | | | | | |
| ELECTRICAL ENGINEER | | | | | |
| MOTOROLA CONFIDENTIAL PROPRIETARY THE DRAWING ON THIS PRINT AND INFORMATION THEREWITH ARE PROPRIETARY TO MOTOROLA AND SHALL NOT BE USED OR DISCUSSED IN WHOLE OR IN PART WITHOUT MOTOROLA'S CONSENT. © COPYRIGHT, MOTOROLA. THIS DOES NOT IMPLY PUBLICATION | | SIZE | CAGE CODE | DWG NO | REV |
| | | CAD FILE NAME | | SHEET OF | |

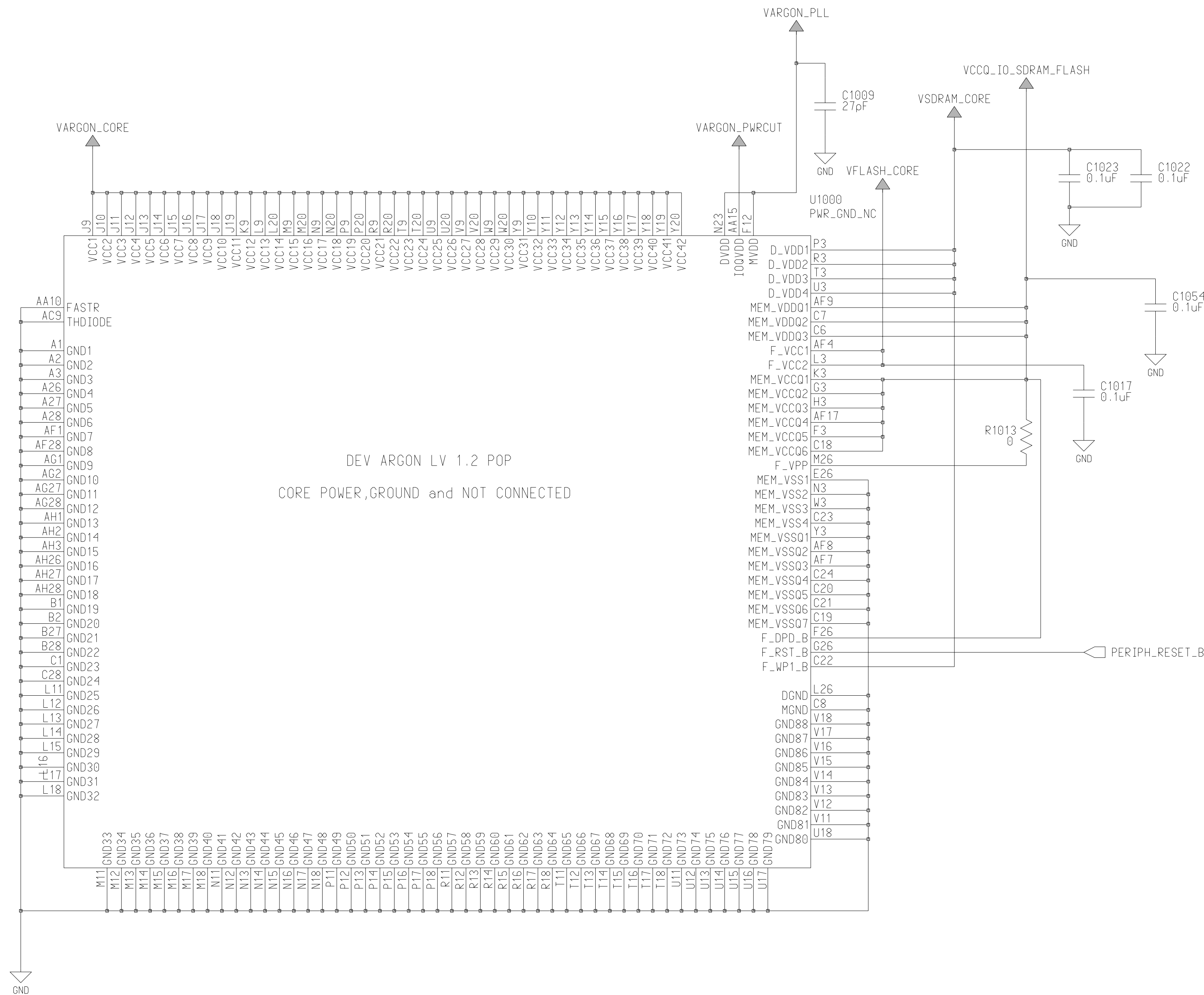
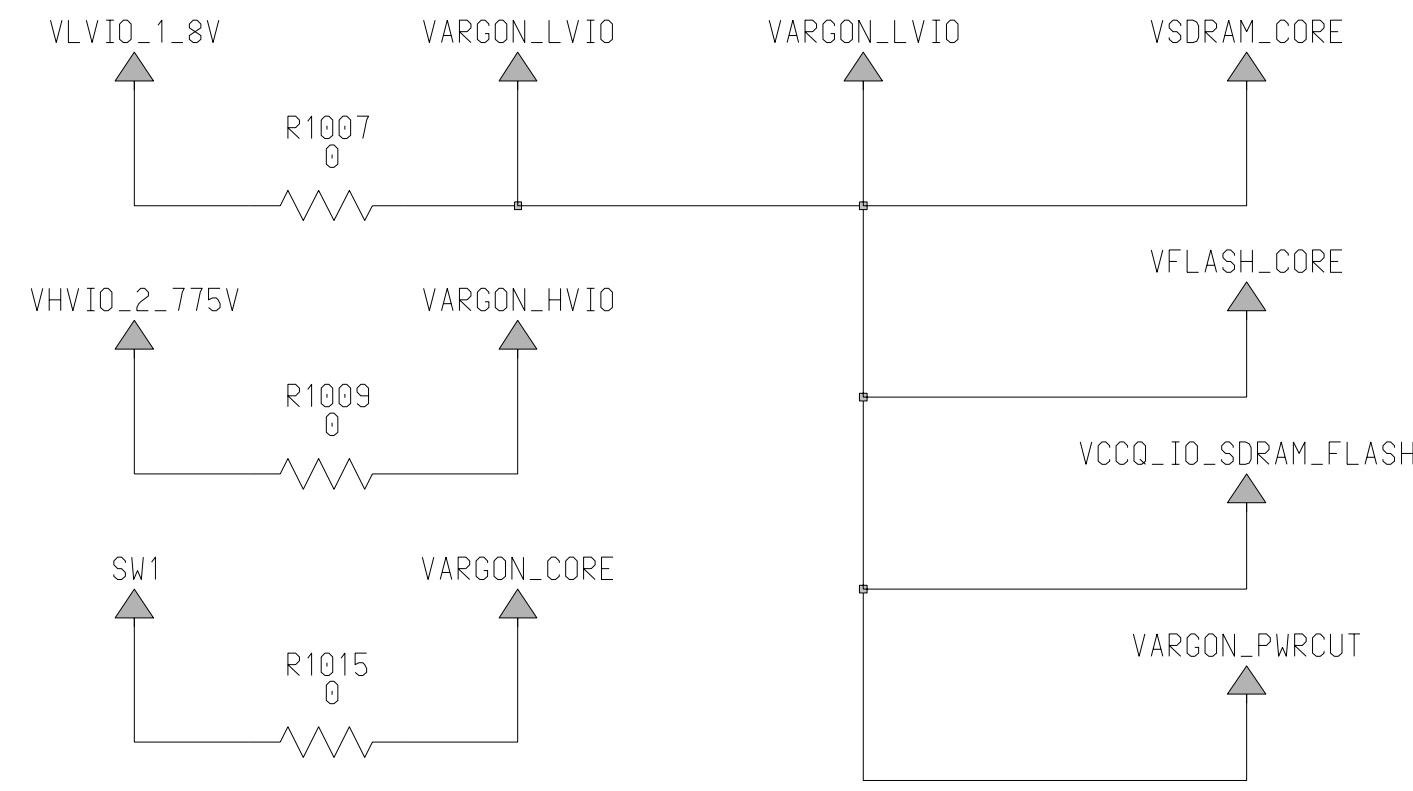
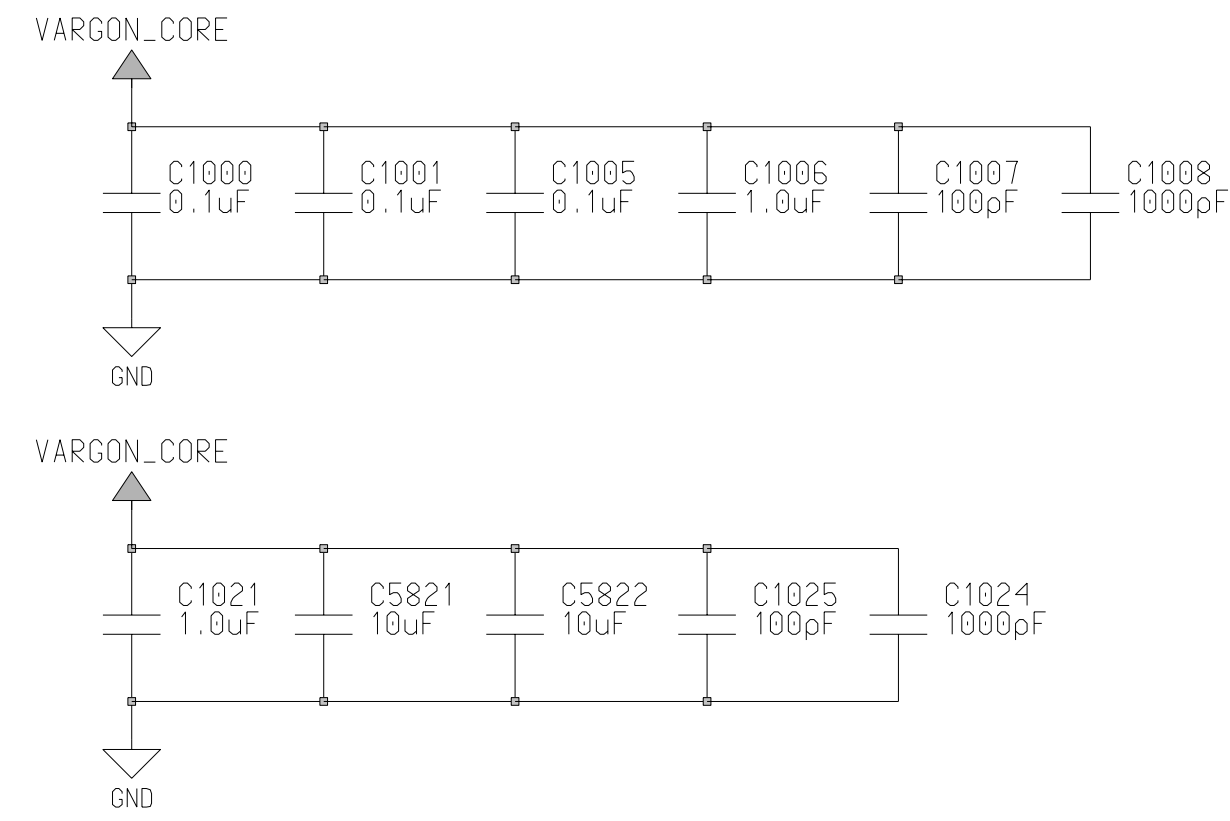
| | | | |
|---------------------|----------------|-------------|--|
| Engineer: G15829 | MOTOROLA INC. | | |
| Drawn by: G15829 | | | |
| R&D CHK: | TITLE: IZAR NA | Size: 11x17 | |
| DOC CTRL CHK: | Argon Memory | | |
| MFG CTRL CHK: | REV: 8xxxxxxx | Page: 1 | |
| QA CHK: | Of: 1 | | |
| Changed by: | Date: | Time: | |

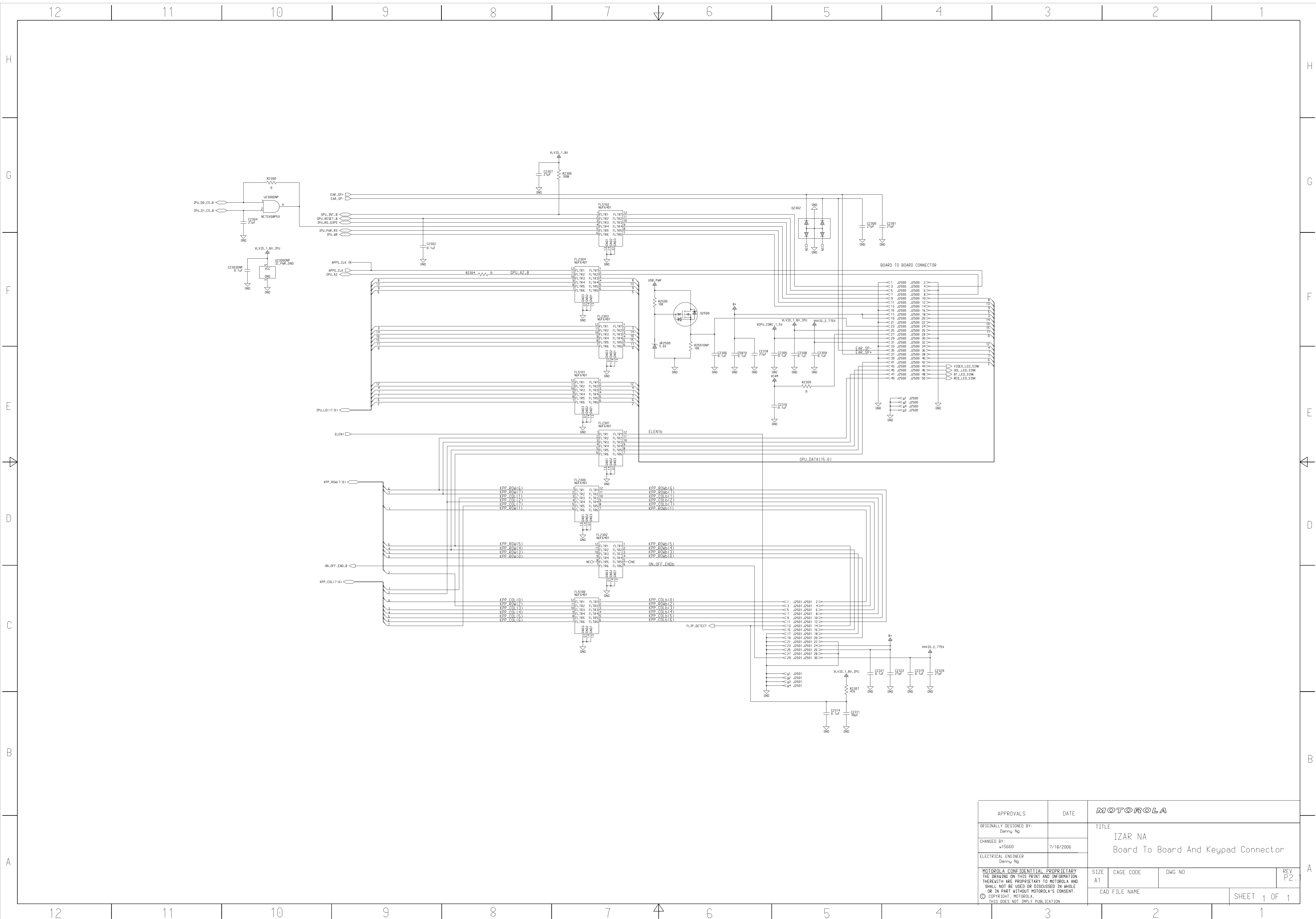


| | | | |
|---------------------|----------------|-----------------|-------|
| Engineer: G15829 | | | |
| Drawn by: G15829 | | | |
| R&D CHK: | TITLE: IZAR NA | Size: 11x17 | |
| DOC CTRL CHK: | Aragn DSP | | |
| MFG CTRL CHK: | REV: | Drawing Number: | Page: |
| QA CHK: | 8xxxxxxxxx | | Of: |
| Changed by: | Date: | Time: | |

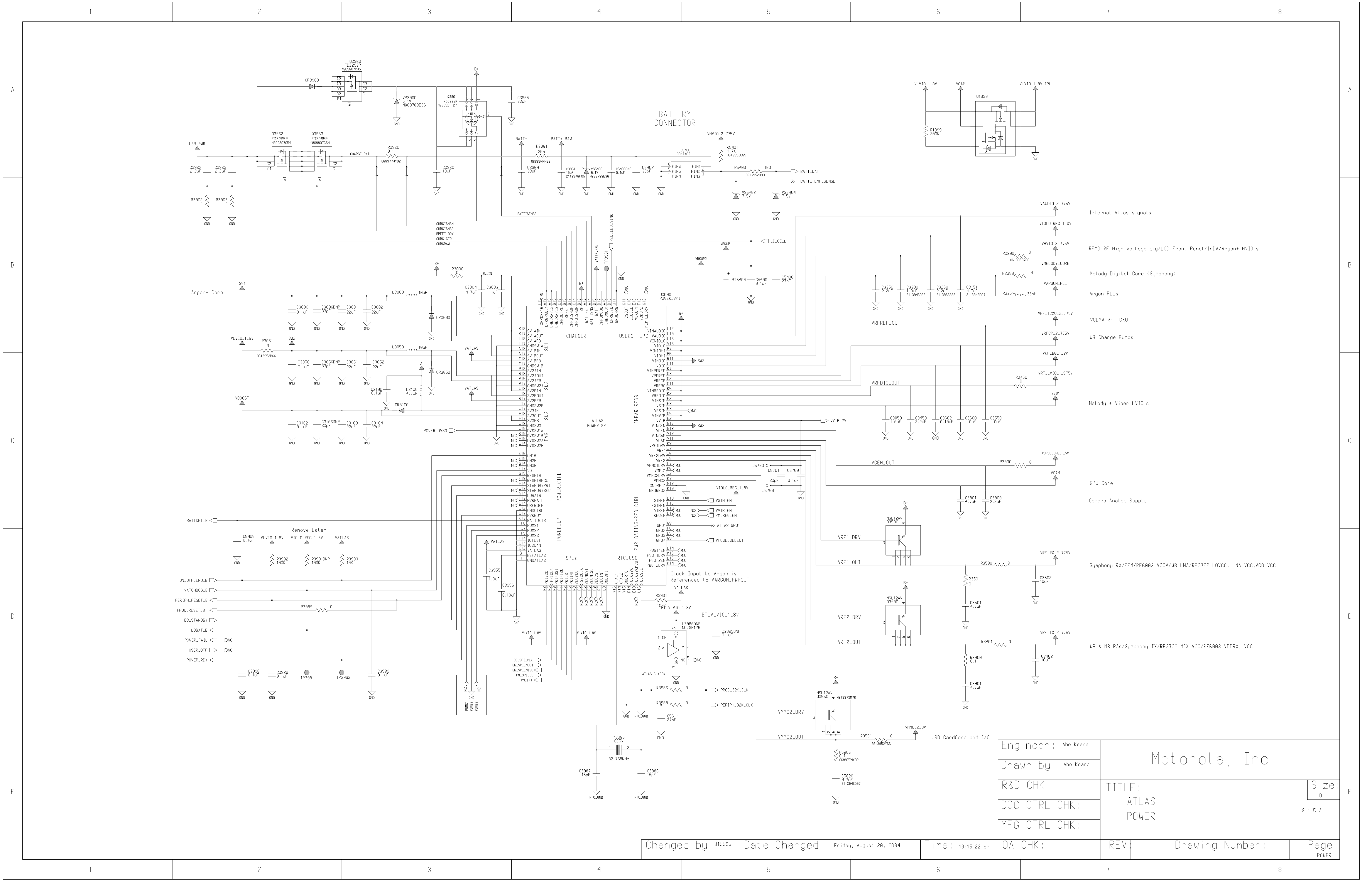


| | | | | |
|---------------------|---|-----------------|-------|-----|
| Engineer: G15829 |  | | | |
| Drawn by: G15829 | | | | |
| R&D CHK: | TITLE: IZAR NA | Size: 11x17 | | |
| DOC CTRL CHK: | Argon Core Power | | | |
| MFG CTRL CHK: | REV: | Drawing Number: | Page: | Of: |
| QA CHK: | Date: | Time: | | |





| | | | | |
|--|-----------|---|-----------|-----------|
| APPROVALS | DATE | MOTOROLA | | |
| ORIGINALLY DESIGNED BY: Danny Ng | | TITLE IZAR NA Board To Board And Keypad Connector | | |
| CHANGED BY: w15650 | 7/18/2006 | SIZE A1 | CAGE CODE | DWG NO |
| ELECTRICAL ENGINEER Danny Ng | | | | REV P2 |
| MOTOROLA CONFIDENTIAL PROPRIETARY THE DRAWING ON THIS PRINT AND INFORMATION HEREWITH ARE PROPRIETARY TO MOTOROLA AND SHALL NOT BE USED OR DISCUSSED IN WHOLE OR IN PART WITHOUT MOTOROLA'S CONSENT. © COPYRIGHT, MOTOROLA, THIS DOES NOT IMPLY PUBLICATION | | SHEET 1 OF 1 | | |




| | | | | |
|--------------------|-----------|---------------------------------------|-------------------|-----------------|
| Engineer: | Abe Keane | Motorola, Inc | Size: D | |
| Drawn by: | Abe Keane | | | |
| R&D CHK: | | ATLAS POWER | 8 1 5 A | |
| DOC CTRL CHK: | | | | |
| MFG CTRL CHK: | | | | |
| QA CHK: | | REV | Page: _POWER | |
| Changed by: W15595 | | Date Changed: Friday, August 20, 2004 | Time: 10:15:22 am | Drawing Number: |

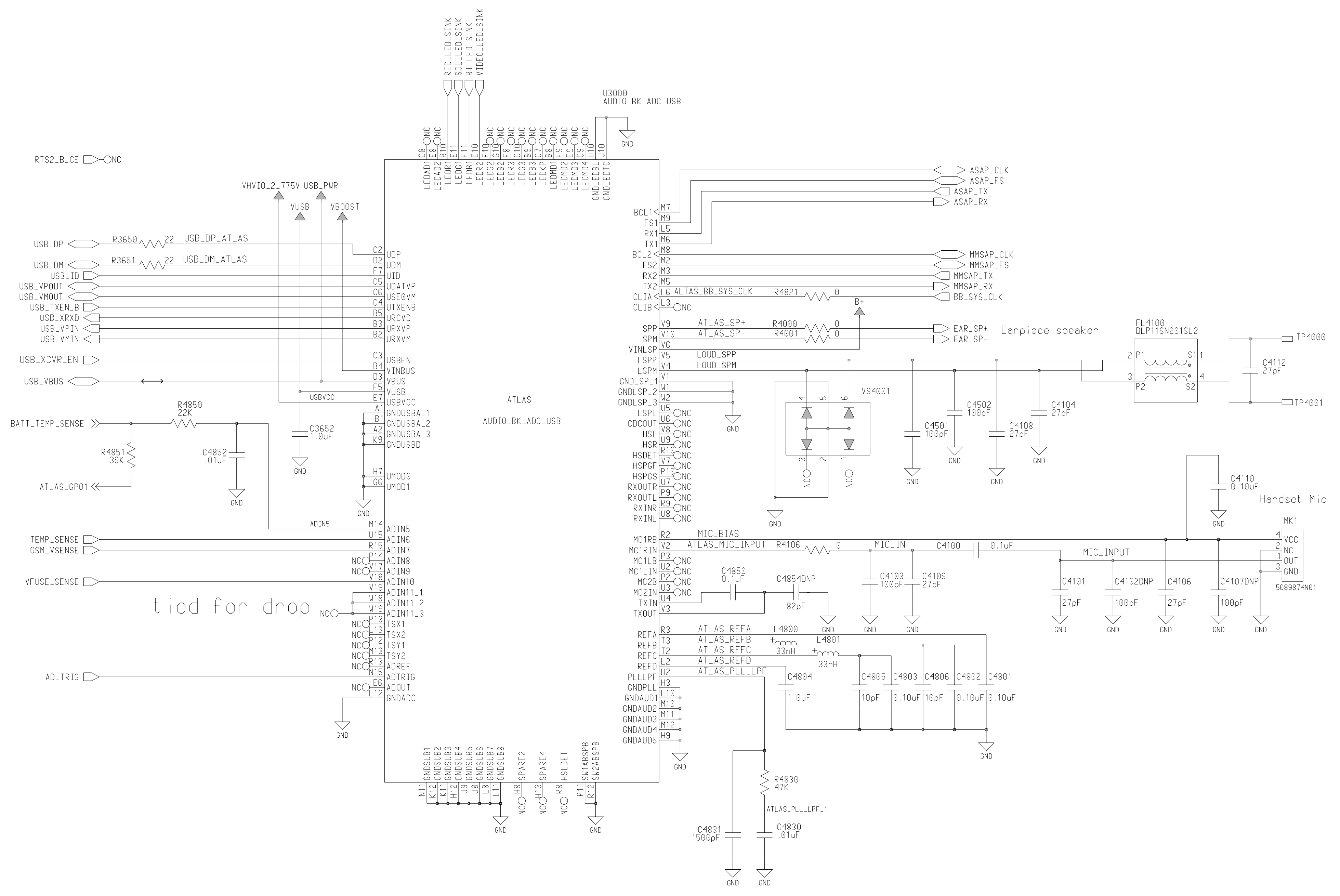
USD CardCore end I/O

Internal Atlas signals
 RFMD RF High voltage dig/LCD Front Panel/InDA/Argon+ HV10's
 Melody Digital Core (Symphony)
 Argon PLLs
 WCDMA RF TCXO
 WB Charge Pumps
 Melody + Viper LV10's
 GPU Core
 Camera Analog Supply
 Symphony RX/FEM/RF6003 VCC/WB LNA/RF2722 LOWCC, LNA_VCC,VCC_VCC
 WB & MB PAs/Symphony TX/RF2722 MIX_VCC/RF6003 VDDR_X, VCC

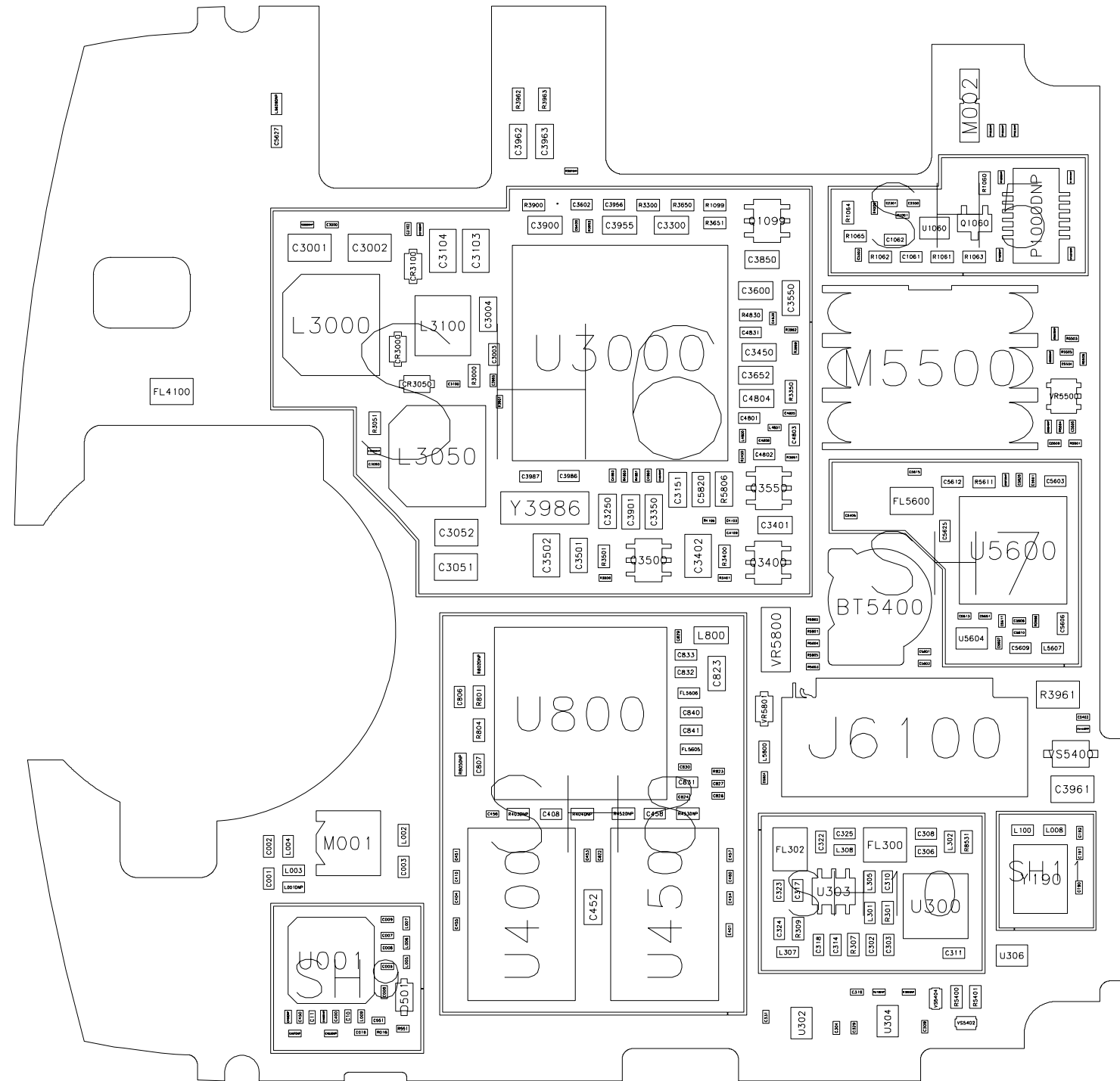
32.768KHz

ATLAS_POWER

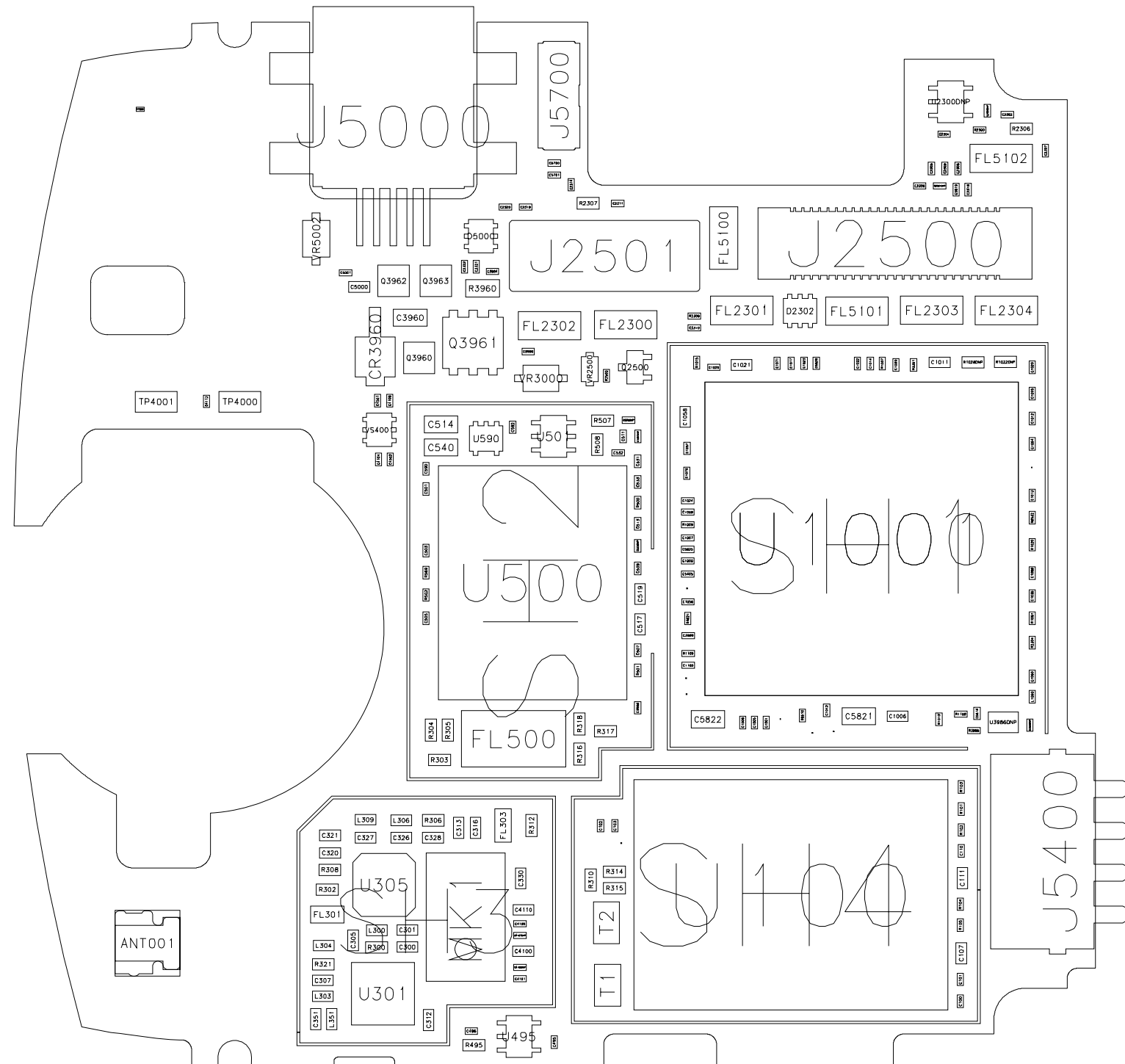
| | | | |
|--------------------------|---|-----------------|------------------|
| Engineer: Nick Klezek |  | | |
| Drawn by: Nick Klezek | | | |
| R&D CHK: | TITLE: ATLAS | Size: 11x21 | |
| DOC CTRL CHK: | Audio | | |
| MFG CTRL CHK: | REV: | Drawing Number: | Page: |
| QA CHK: | Date: Monday, February 13, 2006 | Page: | OF: |
| Changed by: W16564 | Date: | Page: | Time: 9:29:26 am |



A
B
C
D



BOTTOM SIDE PARTS



TOP SIDE PARTS