


Engineer asb096	COMPANY NAME Address City		
Drawn by asb096			
R&D CHK	TITLE	Size D	
DOC CTRL CHK	IZAR GLOBAL EMEA		
MFG CTRL CHK	REV	Drawing Number	Sheet of
QA CHK			

Changed by: asb096
Date Changed: Wednesday, May 10, 2006
Time: 12:00:17 pm

MOTOROLA CONFIDENTIAL PROPRIETARY

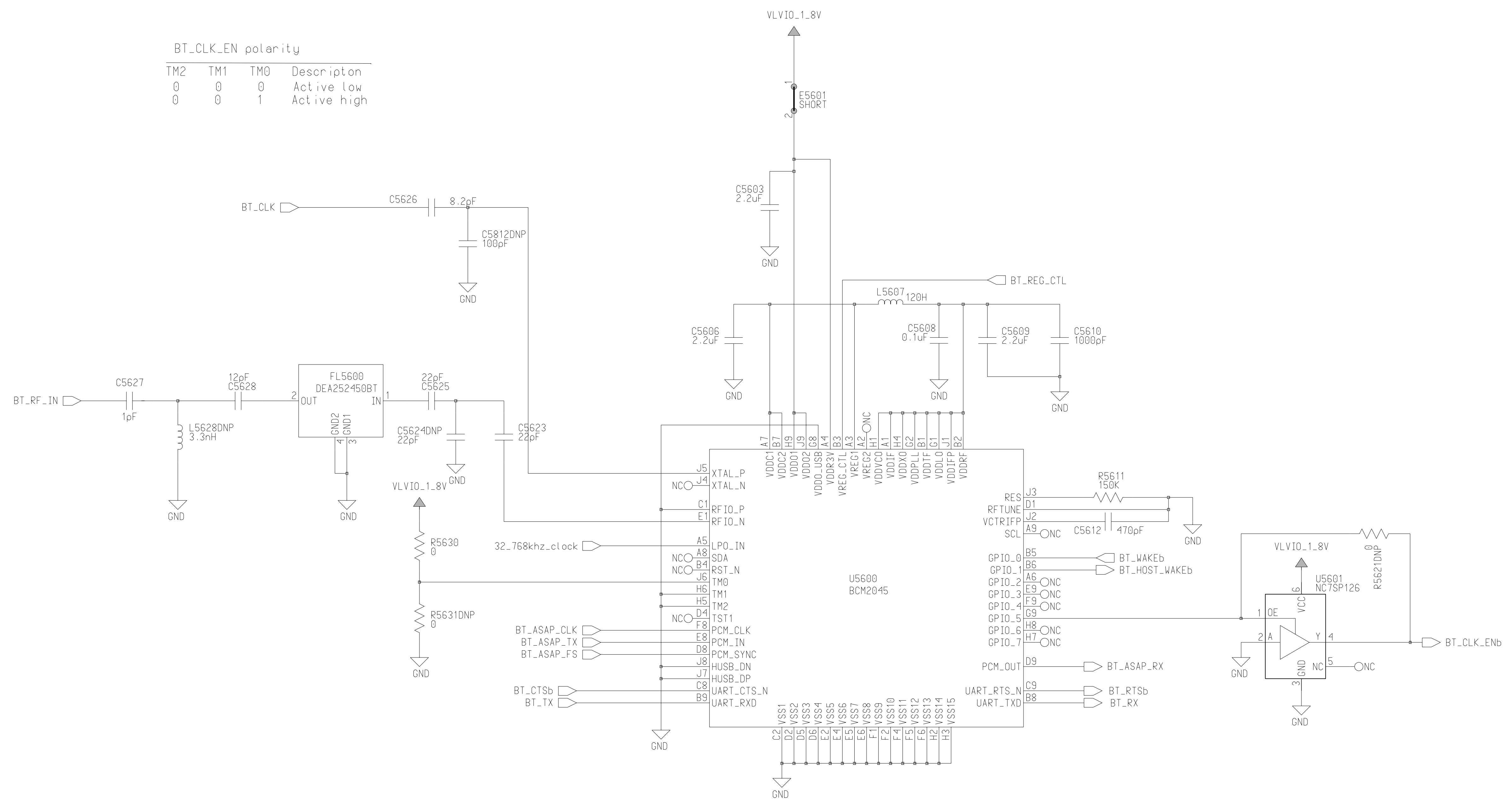
MOTOROLA INTERNAL USE ONLY

4 1 3 A

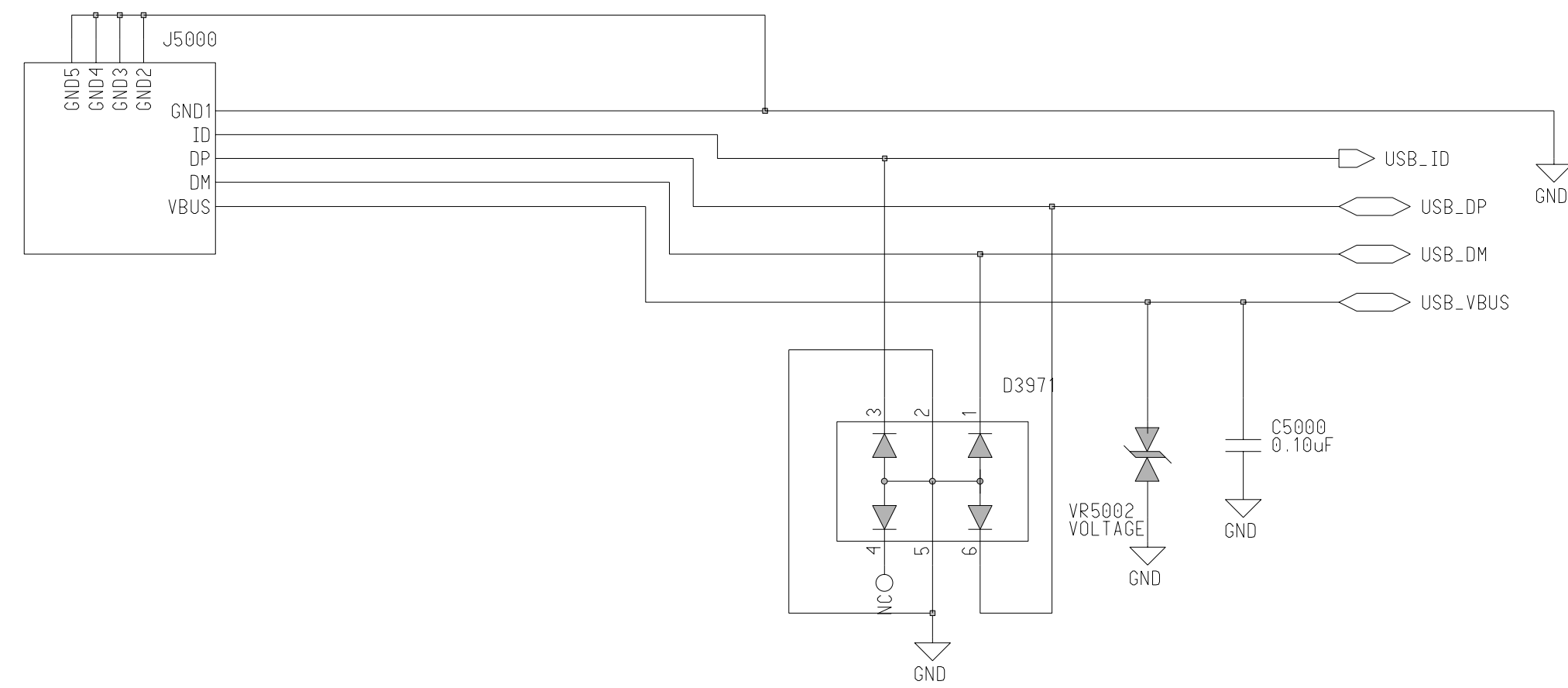
Engineer: Yun Sun Lee			
Drawn by: Yun Sun Lee			
R&D CHK:	TITLE: BLUETOOTH	Size: 11x17	
DOC CTRL CHK:	BLUETOOTH		
MFG CTRL CHK:	REV:	Drawing Number:	Page: Of:
QA CHK:	Date: Tuesday, August 31, 2004	Time: 3:47:09 pm	
Changed by: w17698			

BT_CLK_EN polarity

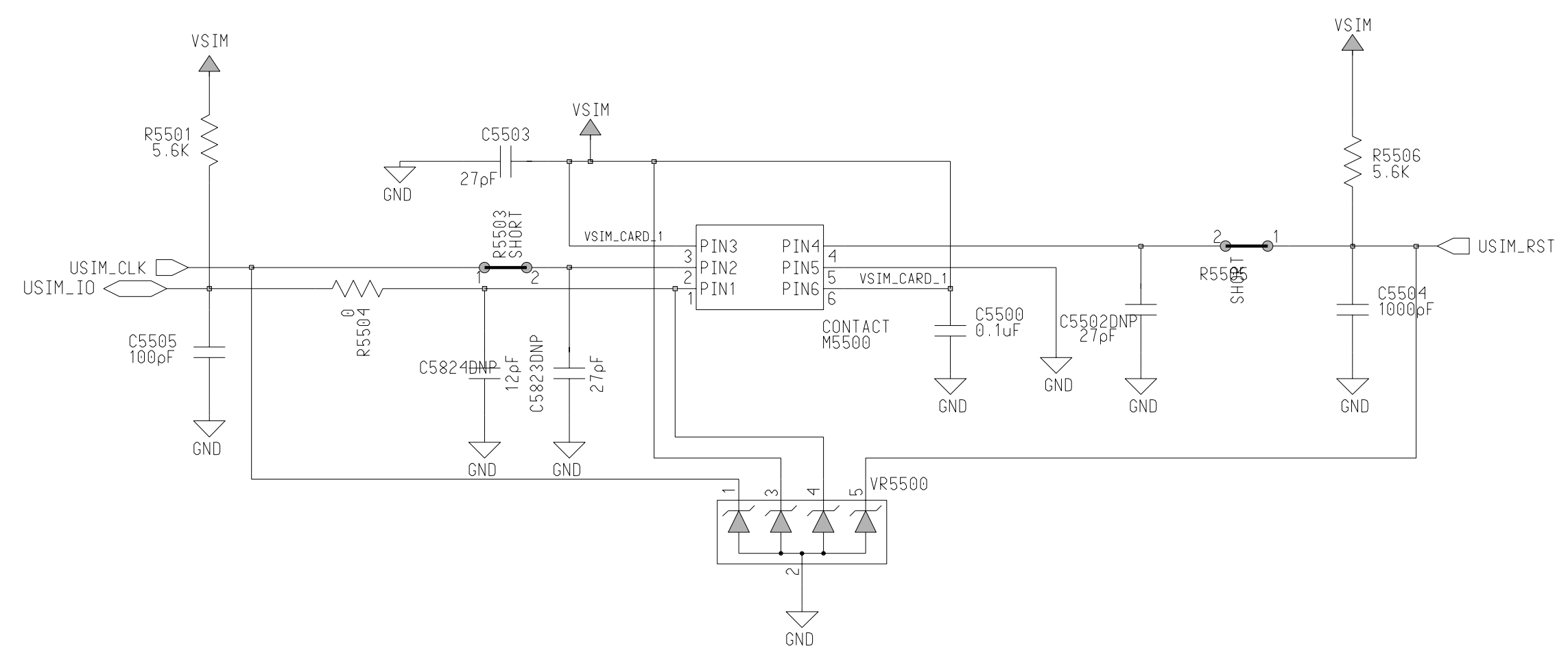
TM2	TM1	TM0	Description
0	0	0	Active low
0	0	1	Active high



EMU CONNECTOR

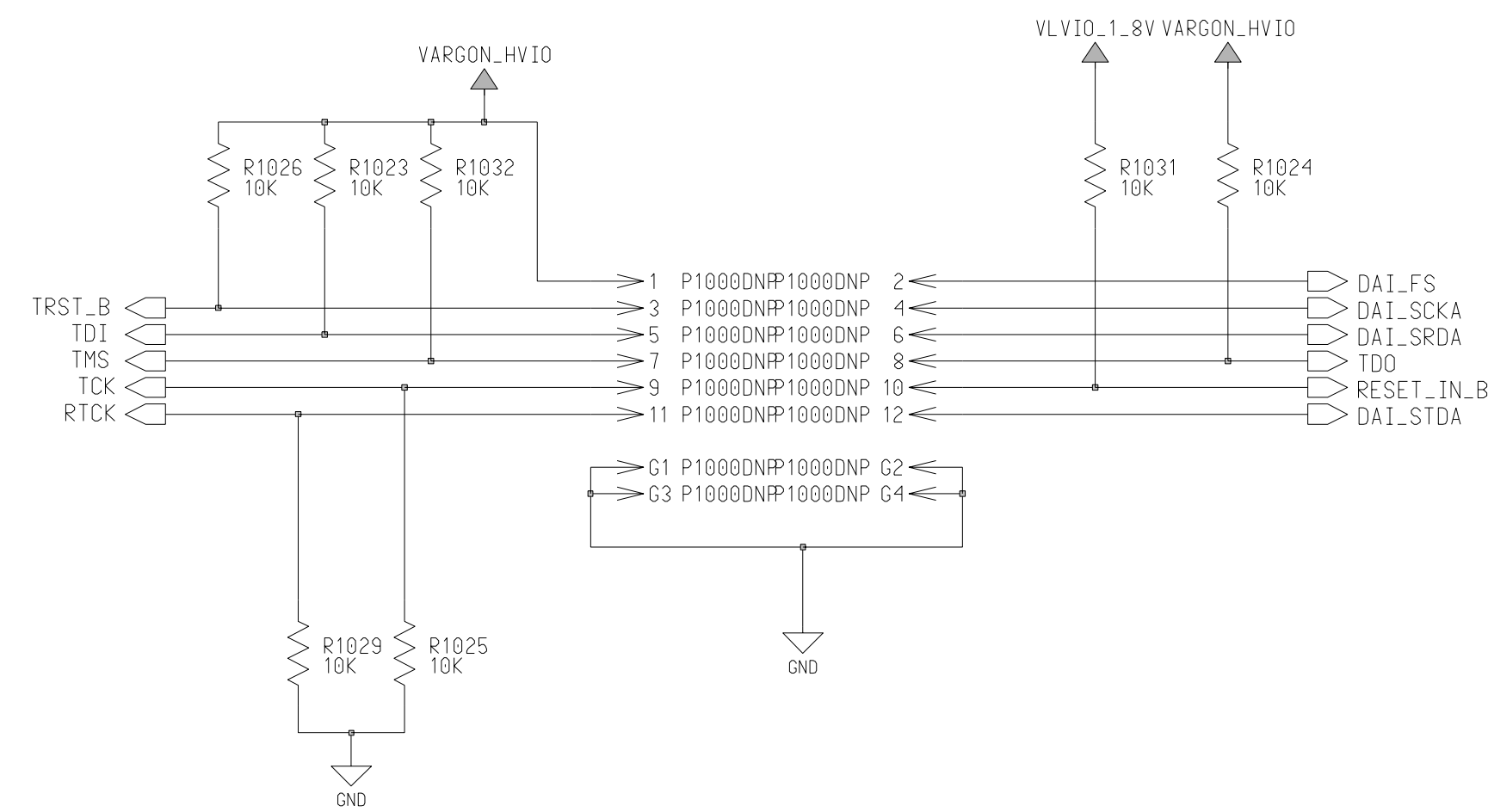


USIM

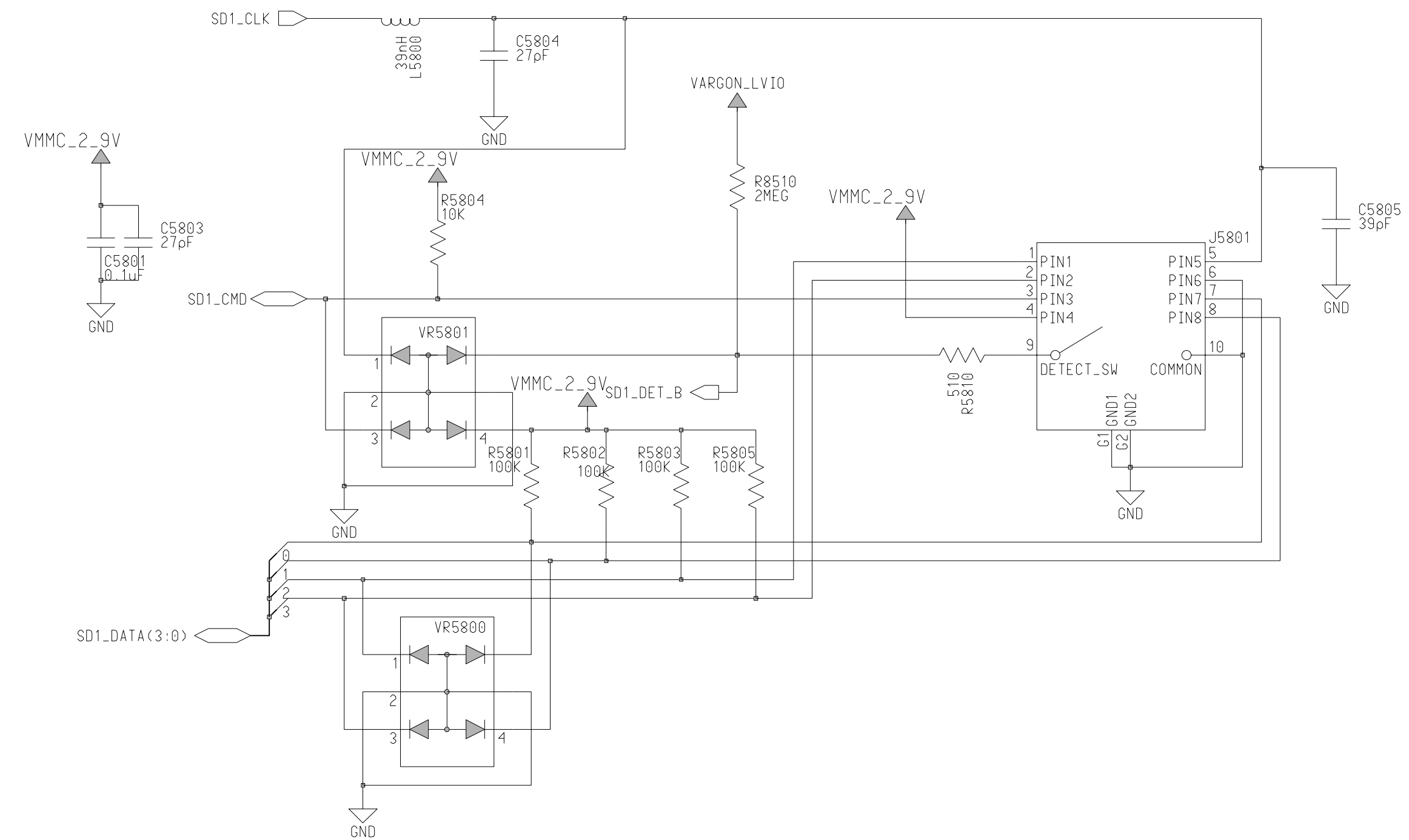


JTAG/DAI

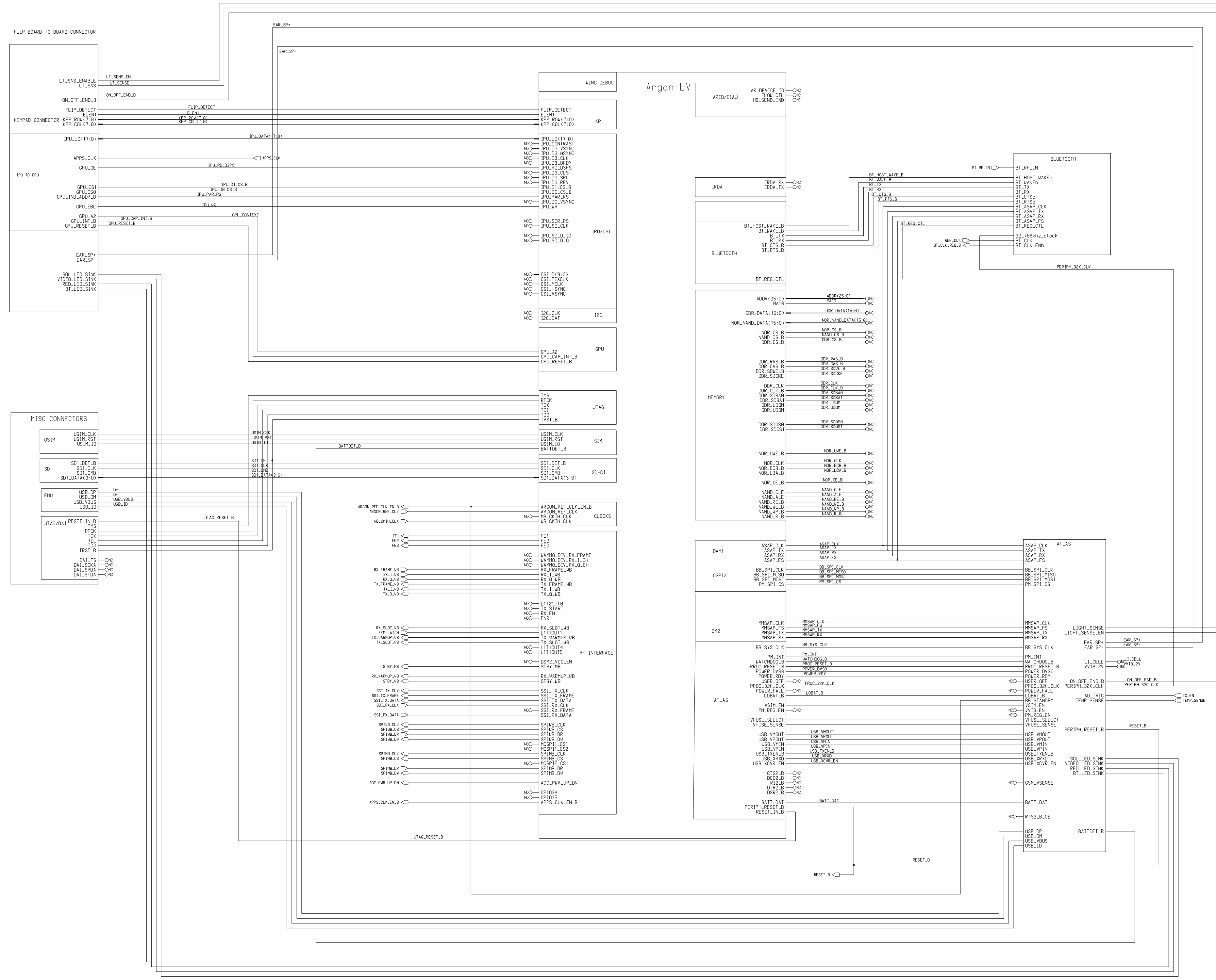
12-pin JTAG connector



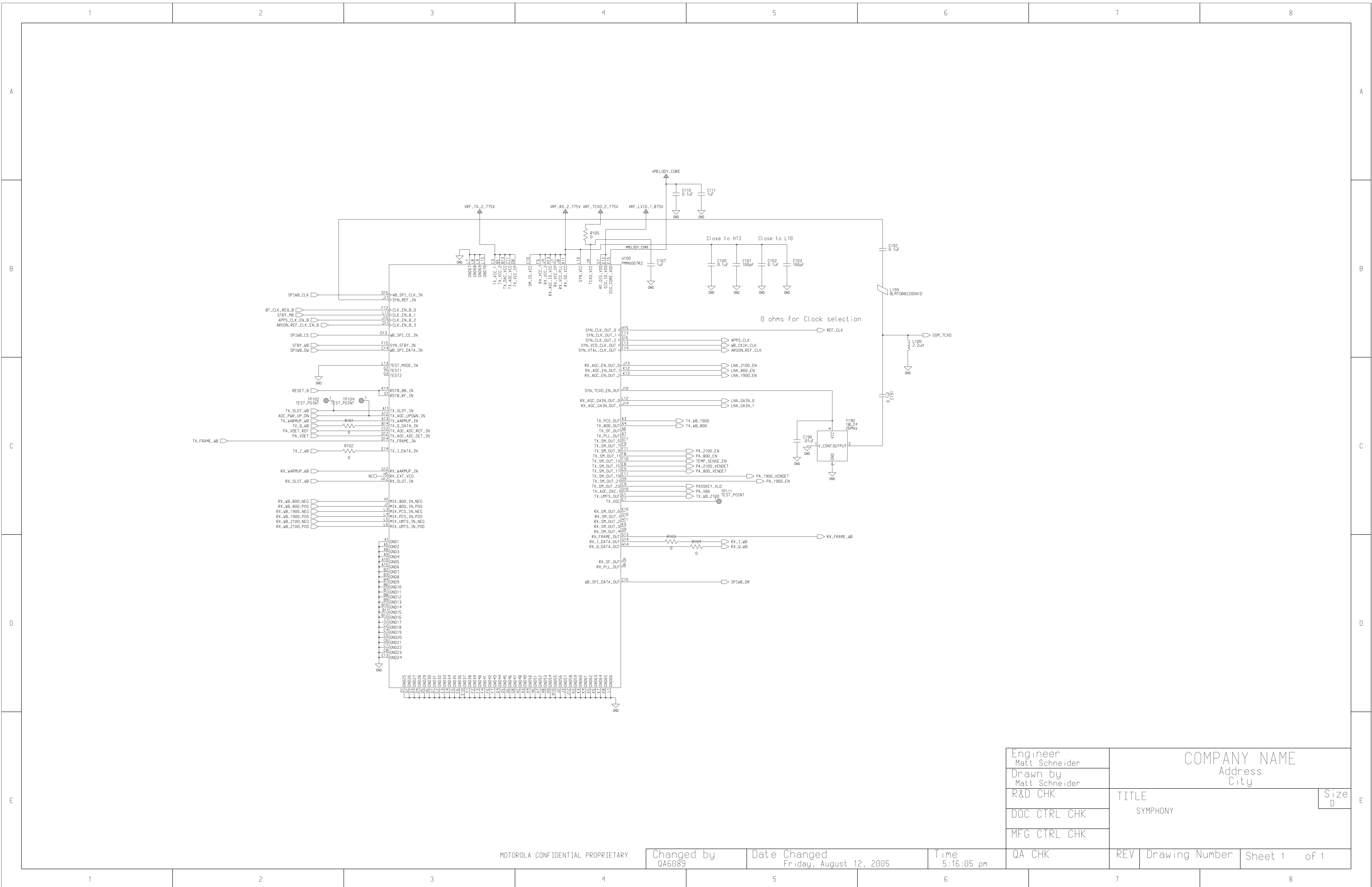
TRANSFLASH



Engineer: Chris Pipe	TITLE: MISC_CONNECTORS			Size: 11x21
Drawn by: Chris Pipe	REV: Drawing Number: Page: OF:			
R&D CHK:	QA CHK:			
DOC CTRL CHK:	Date: Monday, February 13, 2006			Time: 9:23:31 am
MFG CTRL CHK:	Changed by: W16564			



Engineer: G15829	COMPANY NAME	
Drawn By: G15829	Address	
R&D CHK:	City	
DOC CTRL CHK:	TITLE: Baseband_Top	Size: €
MFG ENGR CHK:		8184
Changed by:	Date Changed:	Time Changed:
QA CHK:	REV	Drawing Number:
		Page:



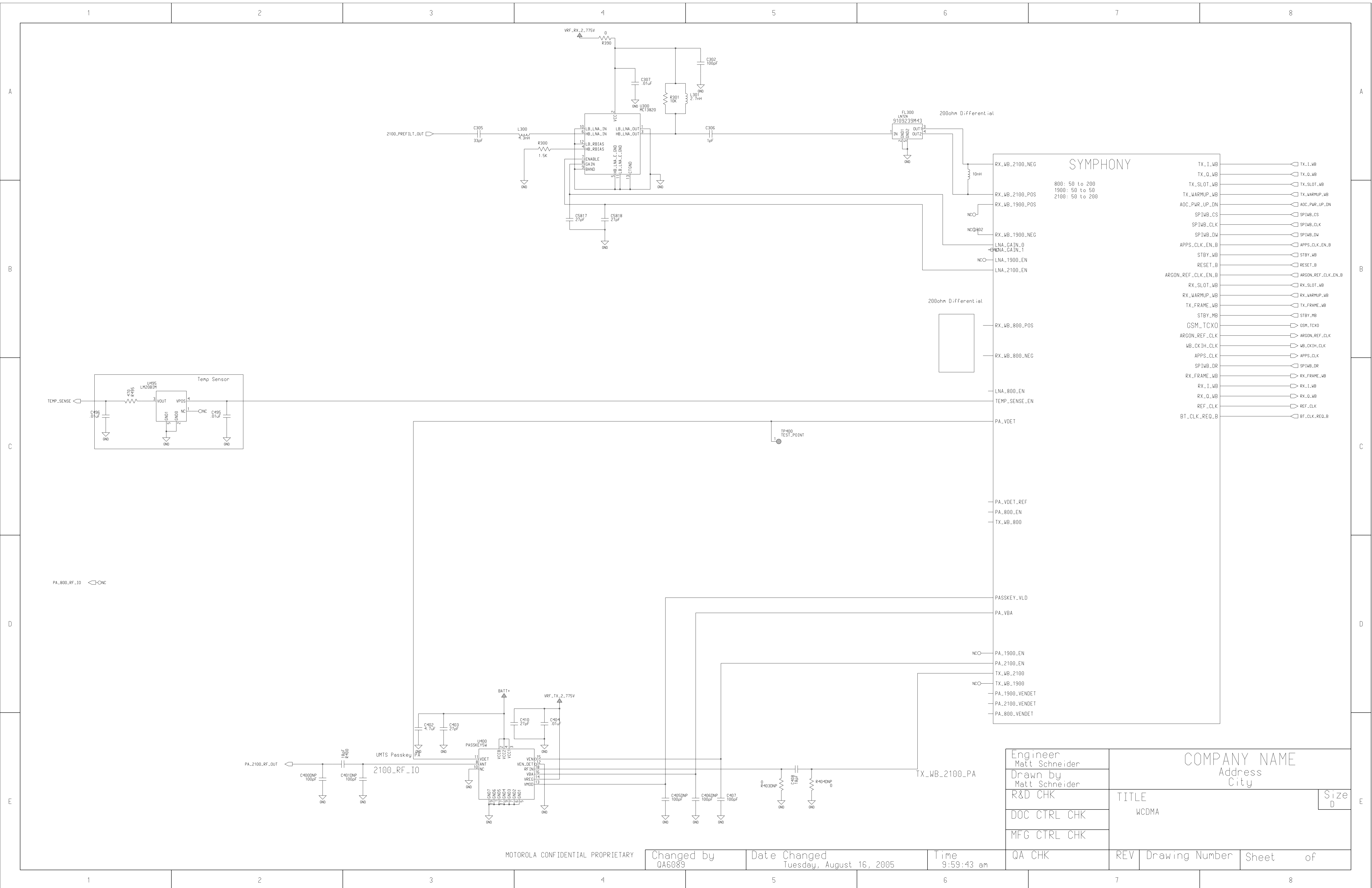
MOTOROLA CONFIDENTIAL PROPRIETARY

Changed by
QA6089

Date Changed
Friday, August 12, 2005

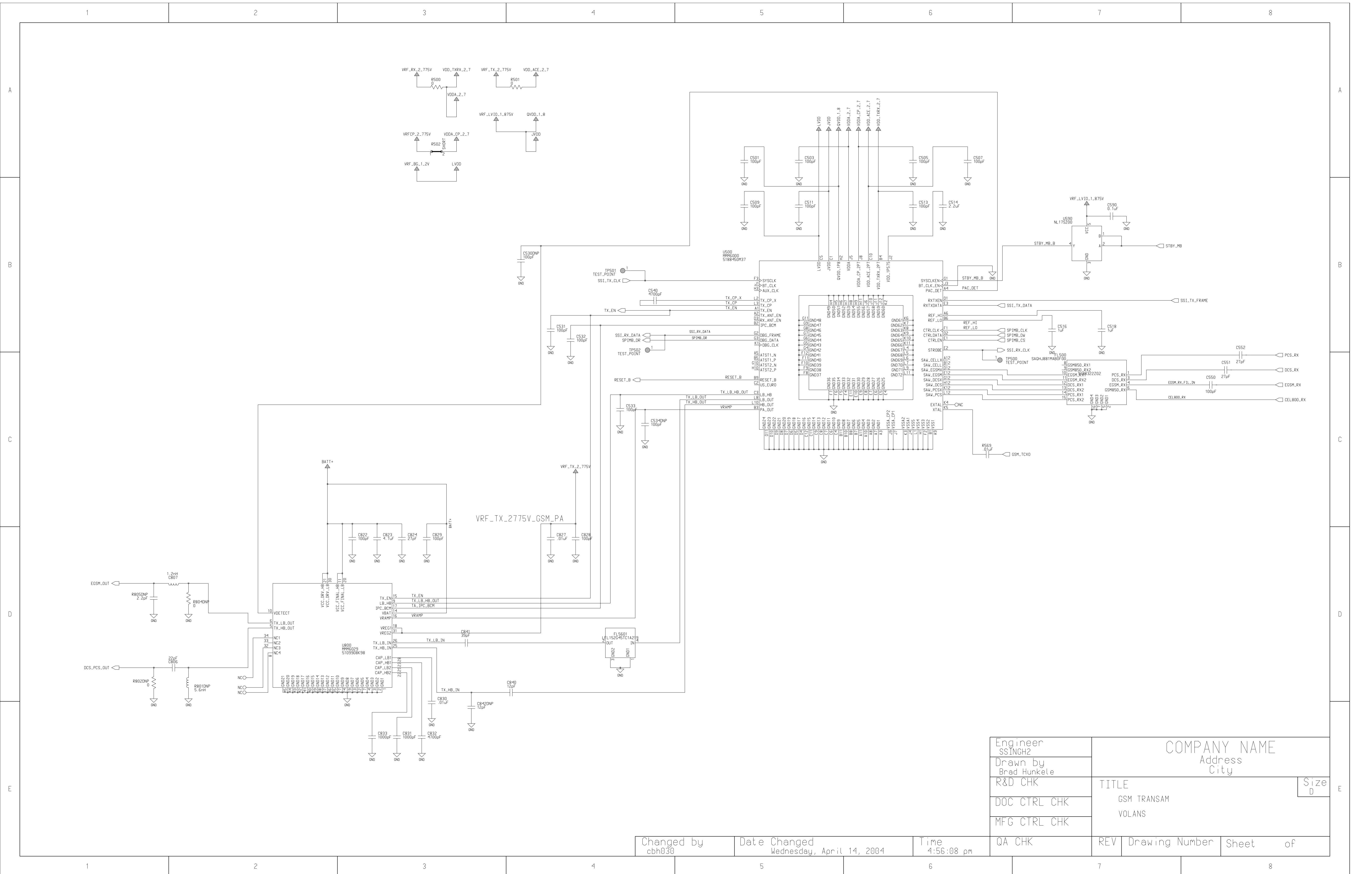
Time
5:16:05 pm

Engineer Matt Schneider	COMPANY NAME Address City		
Drawn by Matt Schneider			
R&D CHK	TITLE	Size D	
DOC CTRL CHK	SYMPHONY		
MFG CTRL CHK	REV	Drawing Number	Sheet 1 of 1



Engineer Matt Schneider	COMPANY NAME		
Drawn by Matt Schneider	Address City		
R&D CHK	TITLE	Size	
DOC CTRL CHK	WCDMA	D	
MFG CTRL CHK	REV	Drawing Number	Sheet of
QA CHK	REV	Drawing Number	Sheet of

MOTOROLA CONFIDENTIAL PROPRIETARY
 Changed by QA6089
 Date Changed Tuesday, August 16, 2005
 Time 9:59:43 am

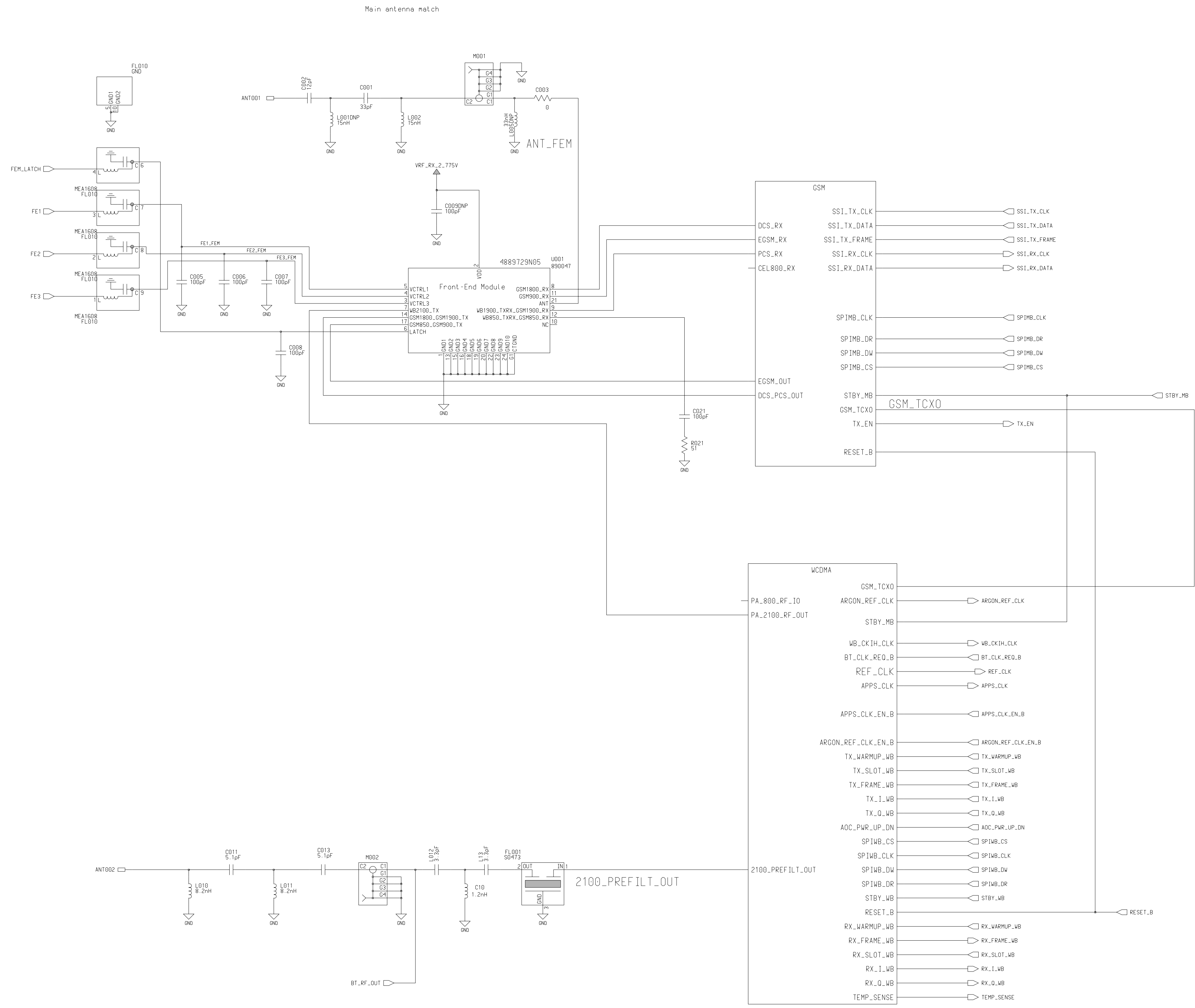


Engineer SSINGH2	COMPANY NAME		
Drawn by Brad Hunkeler	Address City		
R&D CHK	TITLE	Size D	
DOC CTRL CHK	GSM TRANSAM		
MFG CTRL CHK	VOLANS		
QA CHK	REV	Drawing Number	Sheet of

Changed by
cbh030

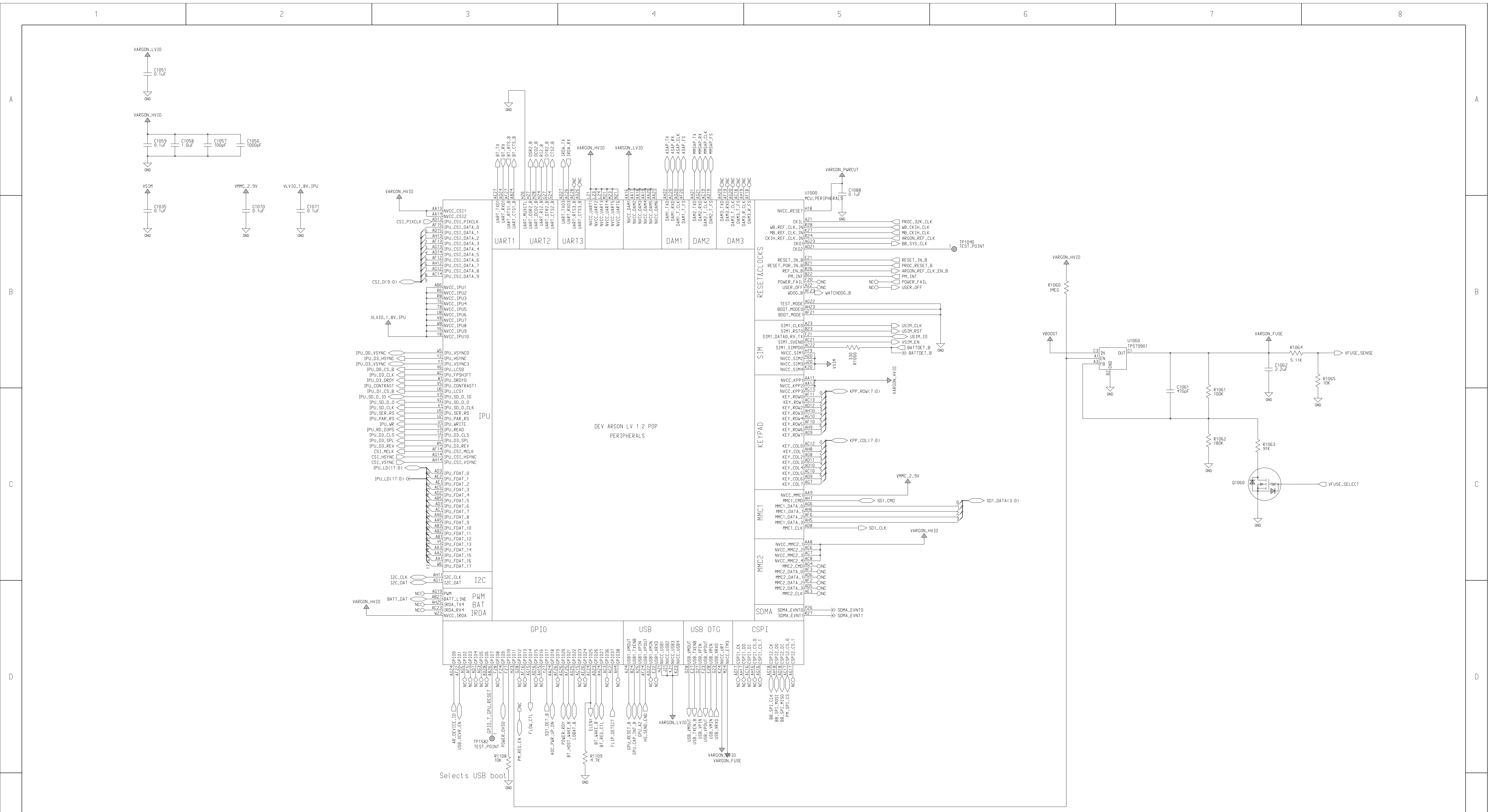
Date Changed
Wednesday, April 14, 2004

Time
4:56:08 pm



Engineer SSINGH2	COMPANY NAME Address City		
Drawn by SSINGH2			
R&D CHK	TITLE RF_TOP	Size D	
DOC CTRL CHK	VOLANS		
MFG CTRL CHK			
QA CHK	REV	Drawing Number	Sheet of

Changed by: cbh030
Date Changed: Wednesday, April 14, 2004
Time: 3:56:11 pm



Engineer: G15829	COMPANY NAME Address City		
Drawn by: G15829	TITLE: Argon PERIPHERALS		
R&D CHK:	Size: D		
DOC CTRL CHK:	8 1 5 A		
MFG CTRL CHK:			
QA CHK:	REV	Drawing Number:	Page: HERALS

Changed by: _____ Date Changed: _____ Time: _____

MOTOROLA CONFIDENTIAL PROPRIETARY

4 1 3 A

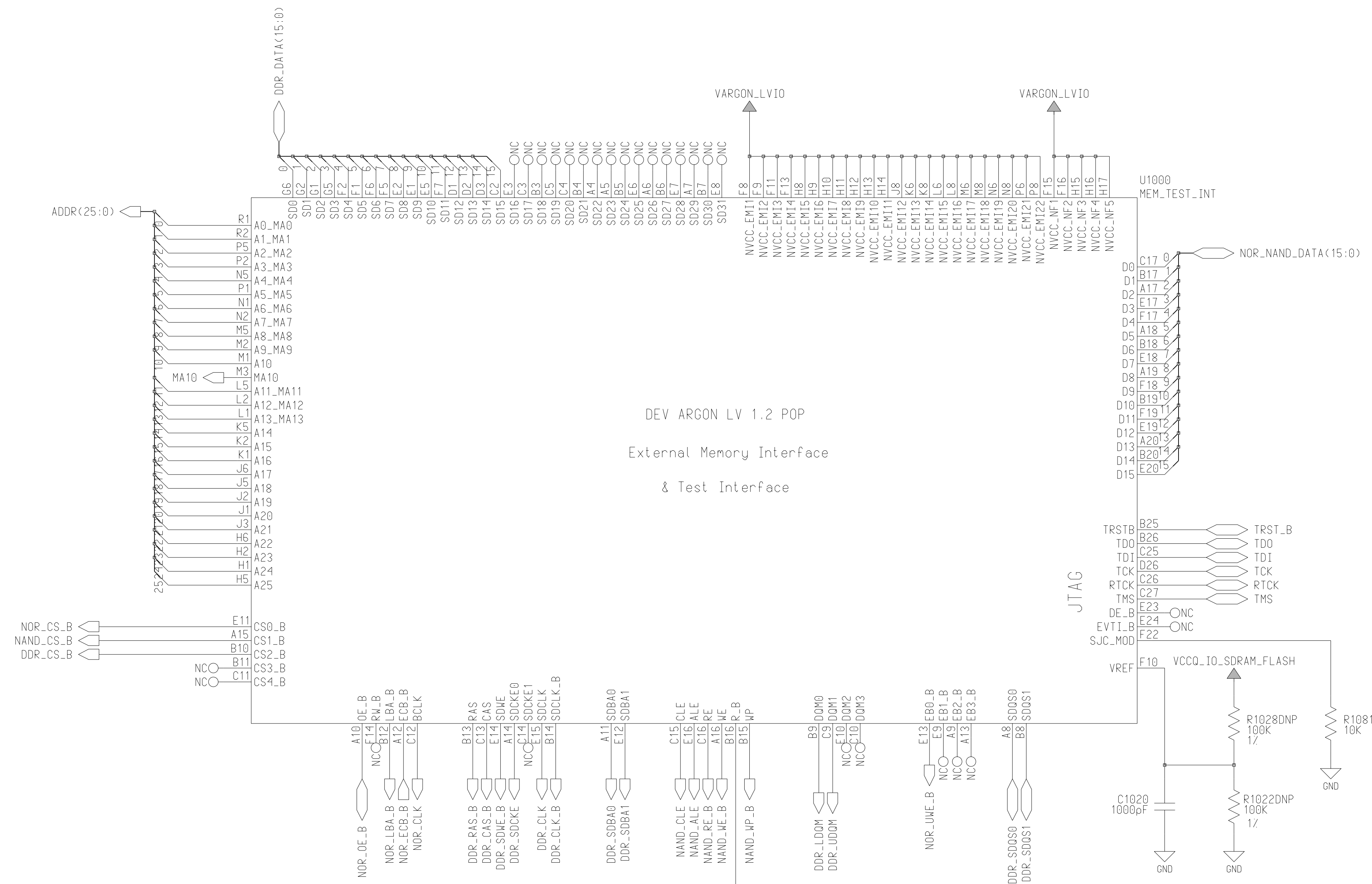
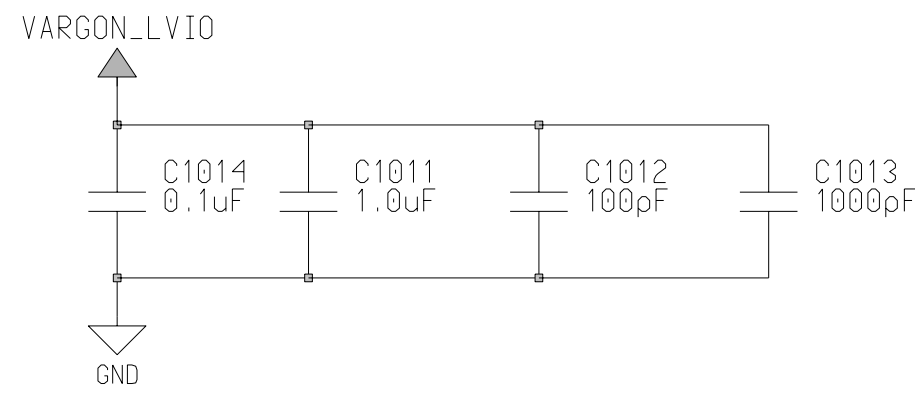
Engineer:
G15829
Drawn by:
G15829
R&D CHK:
DOC CTRL CHK:
MFG CTRL CHK:
QA CHK:



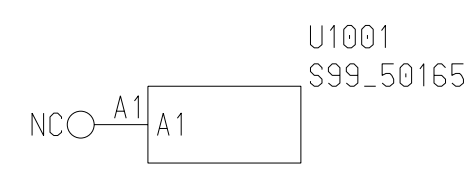
TITLE: ARGON
Memory
Size: 11x17

REV: 8xxxxxx
Drawing Number:
Page:
Of:

Changed by: Date: Time:

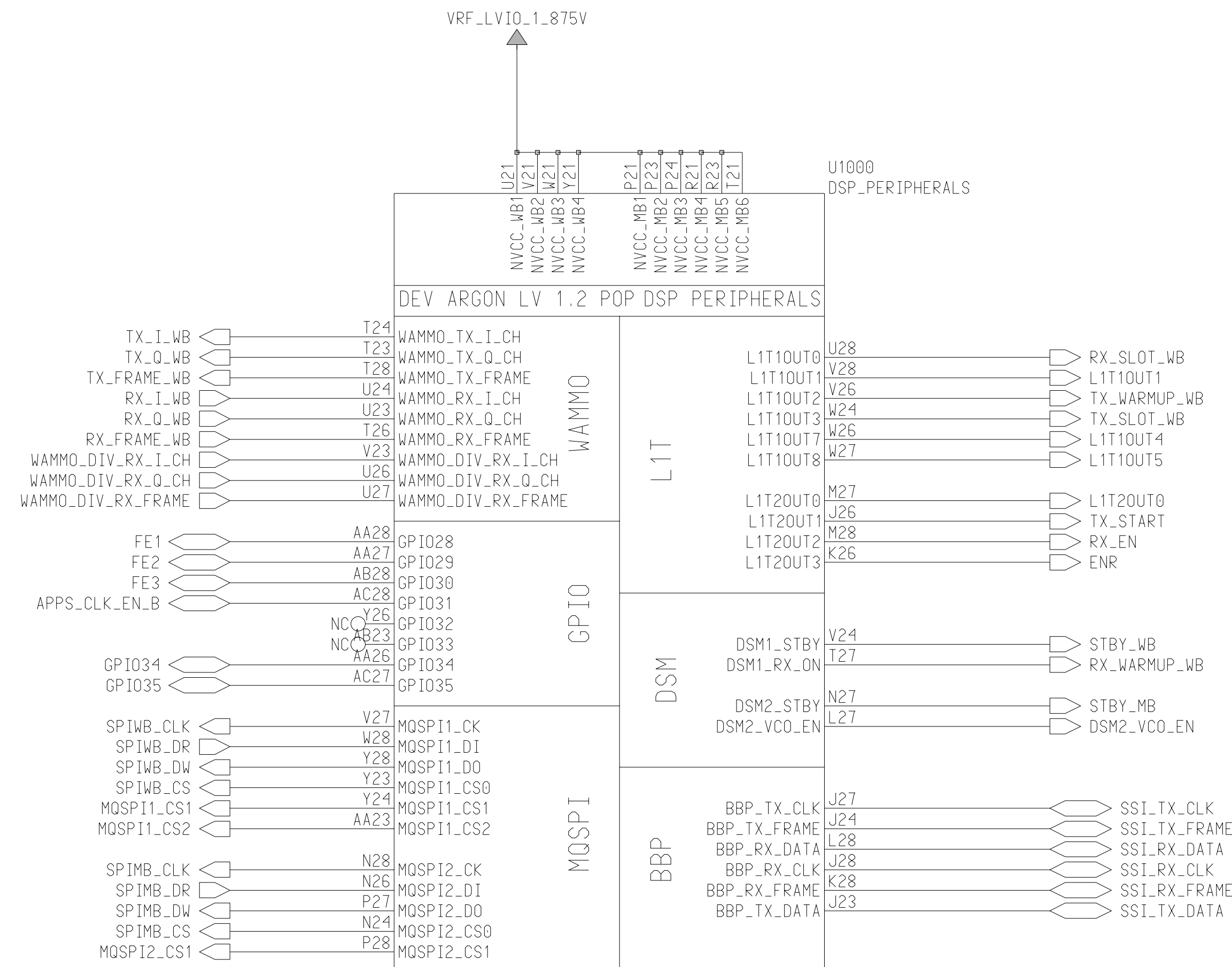
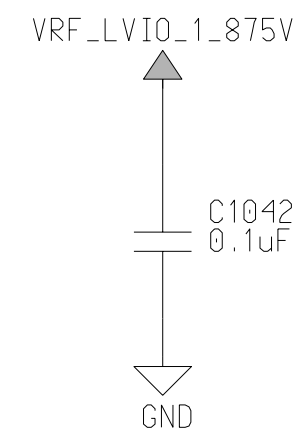


DEV ARGON LV 1.2 POP
External Memory Interface
& Test Interface



5199213K02 (2x32/64/64 - Spansion NOR / Hynix NAND / Micron DDR)
Placeholder for 5199213K03 (64/64/64 - Spansion NOR / Hynix NAND / Micron DDR)

Engineer: G15829			
Drawn by: G15829			
R&D CHK:	TITLE: ARGON DSP	Size: 11x17	
DOC CTRL CHK:			
MFG CTRL CHK:			
QA CHK:	REV: 8xxxxxxx	Page: Of:	
Changed by:	Date:	Time:	

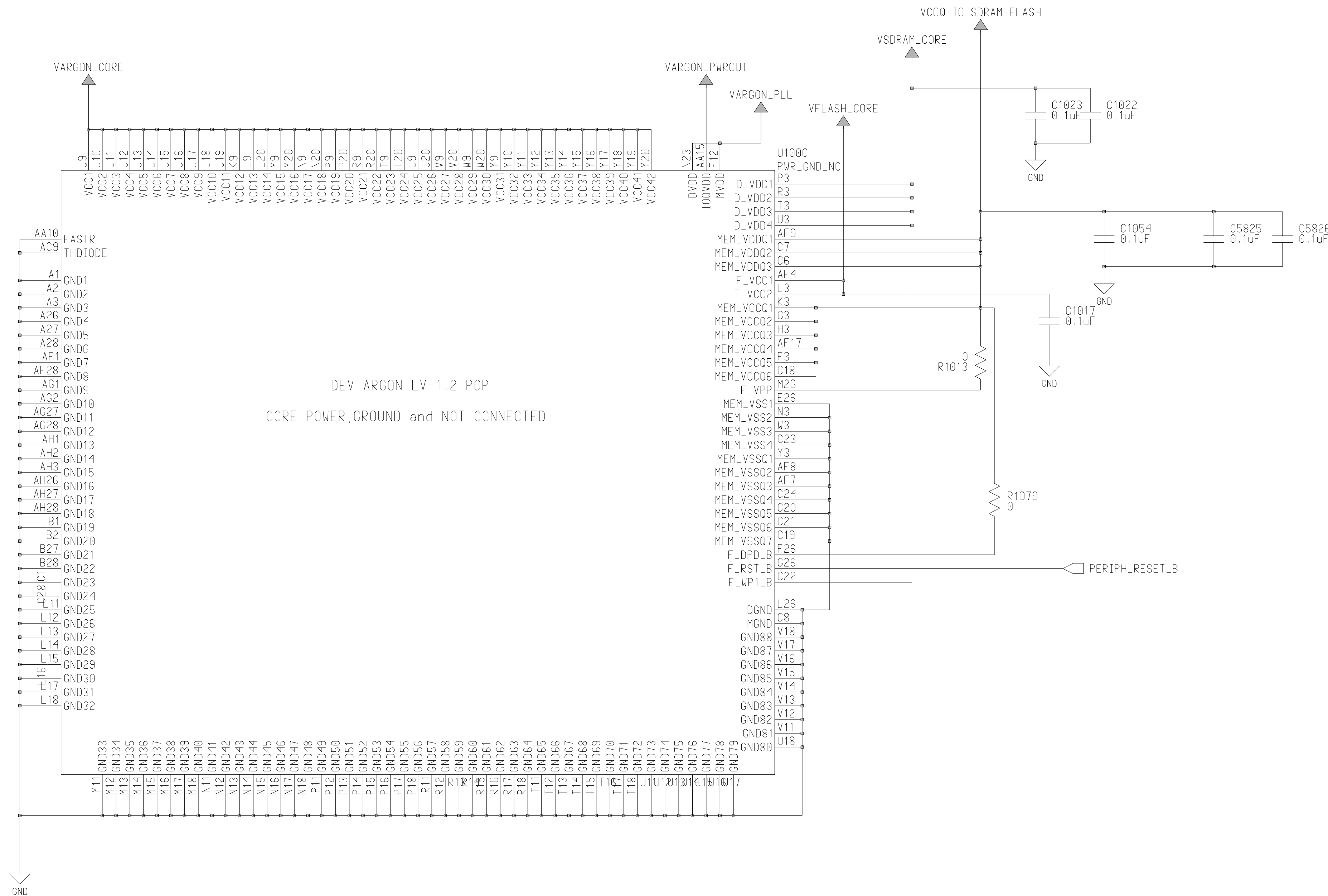
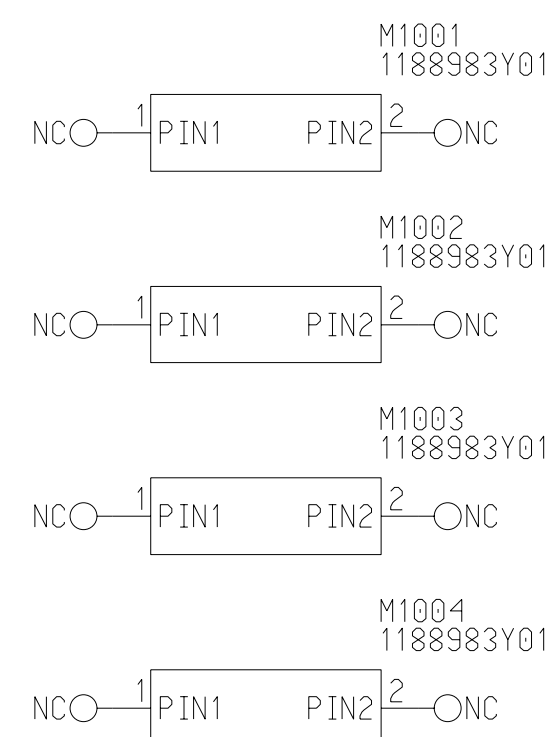
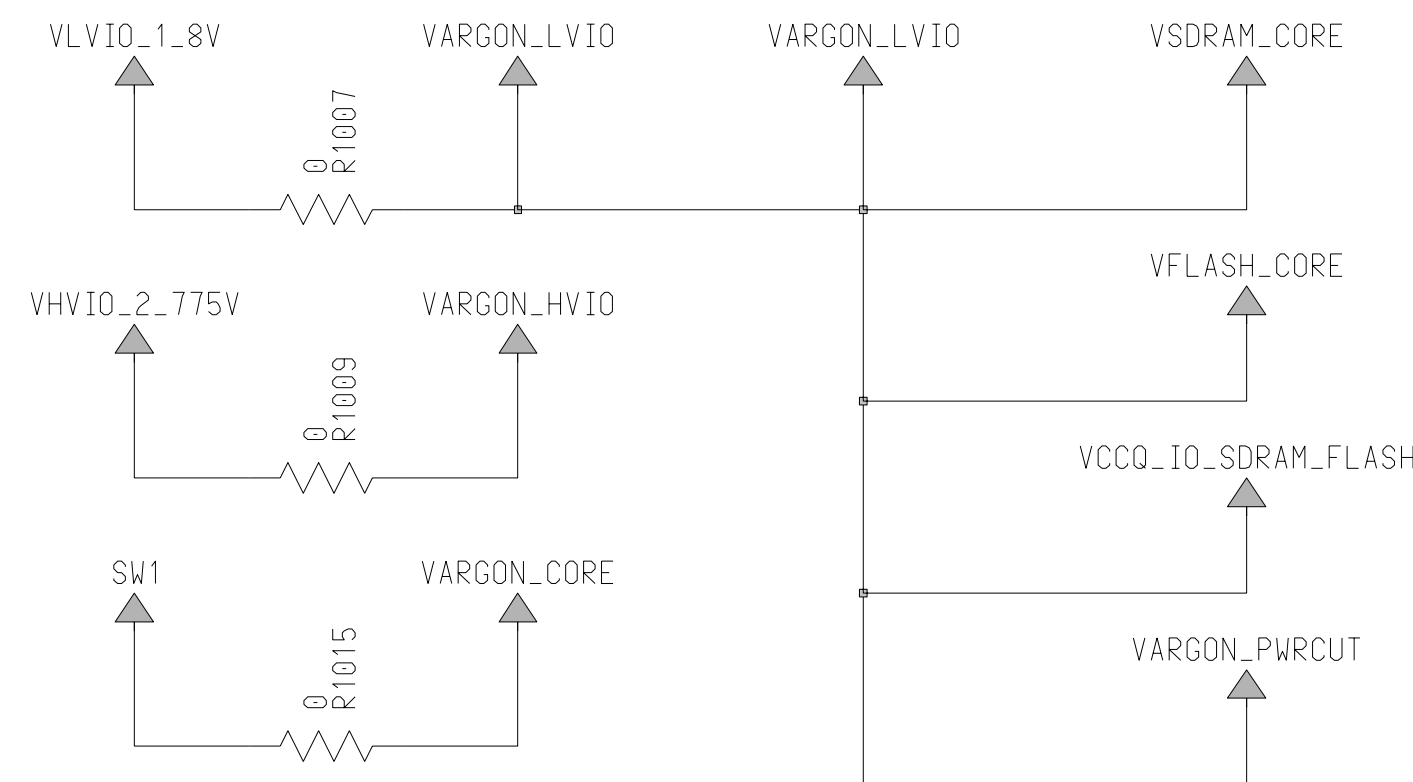
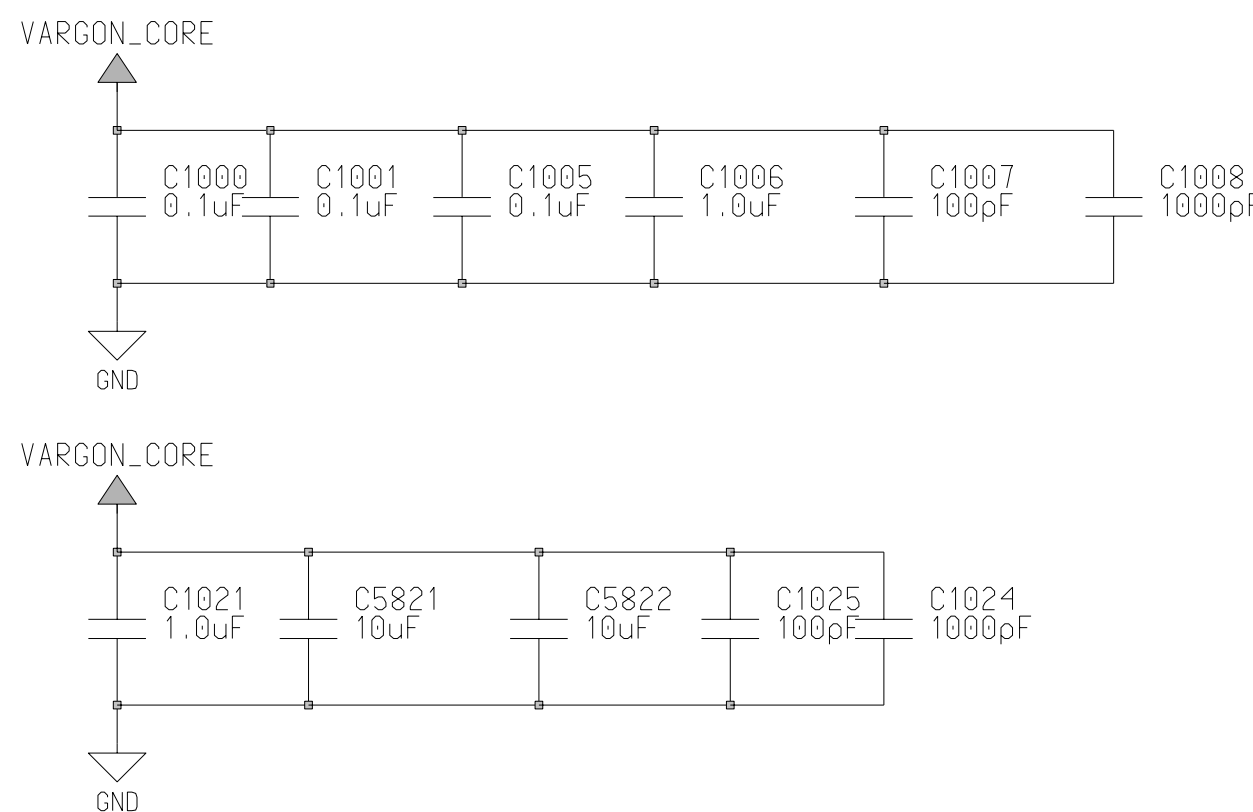


A
B
C
D

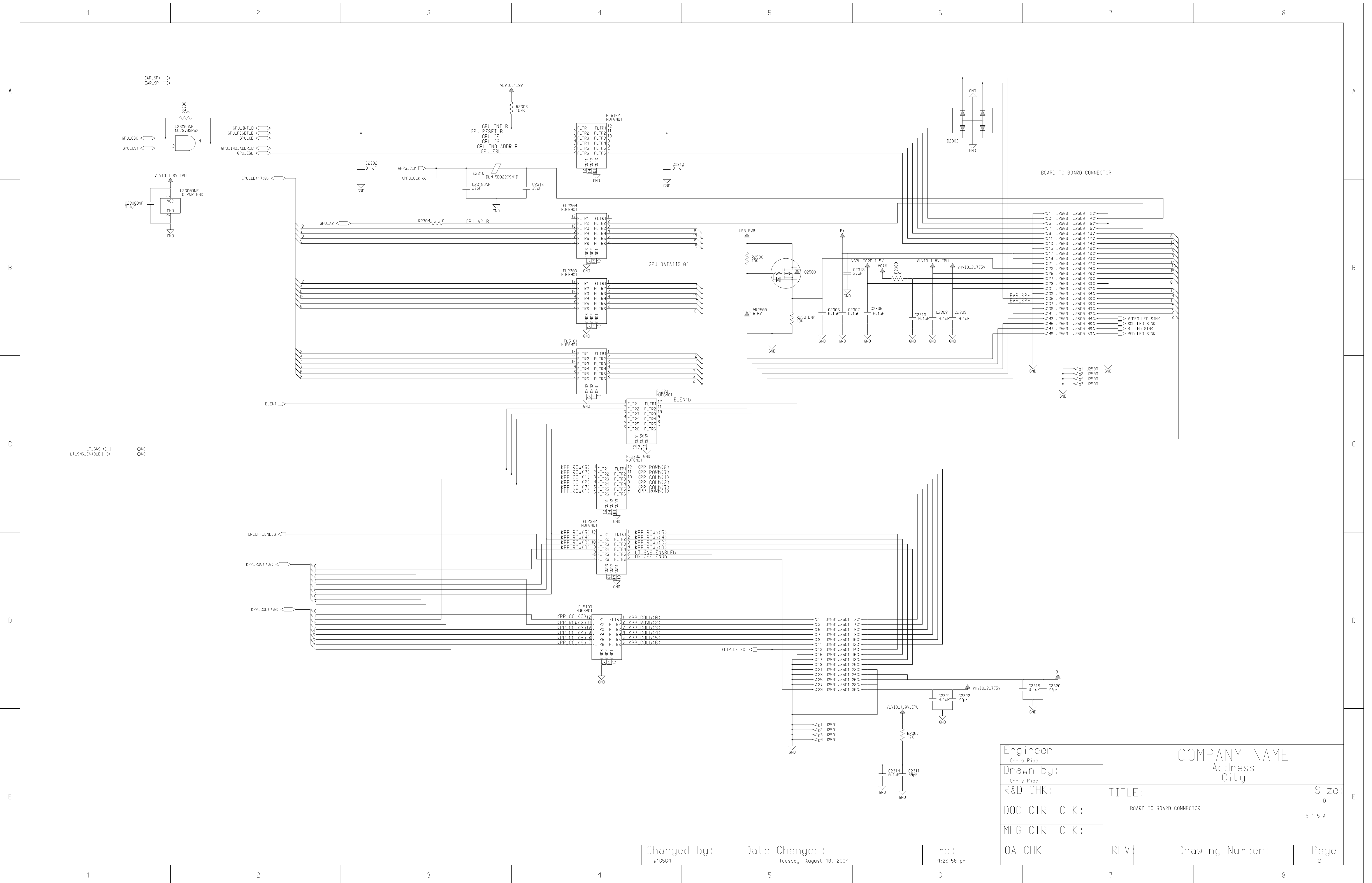
MOTOROLA CONFIDENTIAL PROPRIETARY

4 1 3 A

Engineer: G15829			
Drawn by: G15829			
R&D CHK:	TITLE: ARGON	Size: 11x17	
DOC CTRL CHK:	Core_Power		
MFG CTRL CHK:	REV:	Drawing Number:	Page:
QA CHK:			Of:
Changed by:	Date:	Time:	

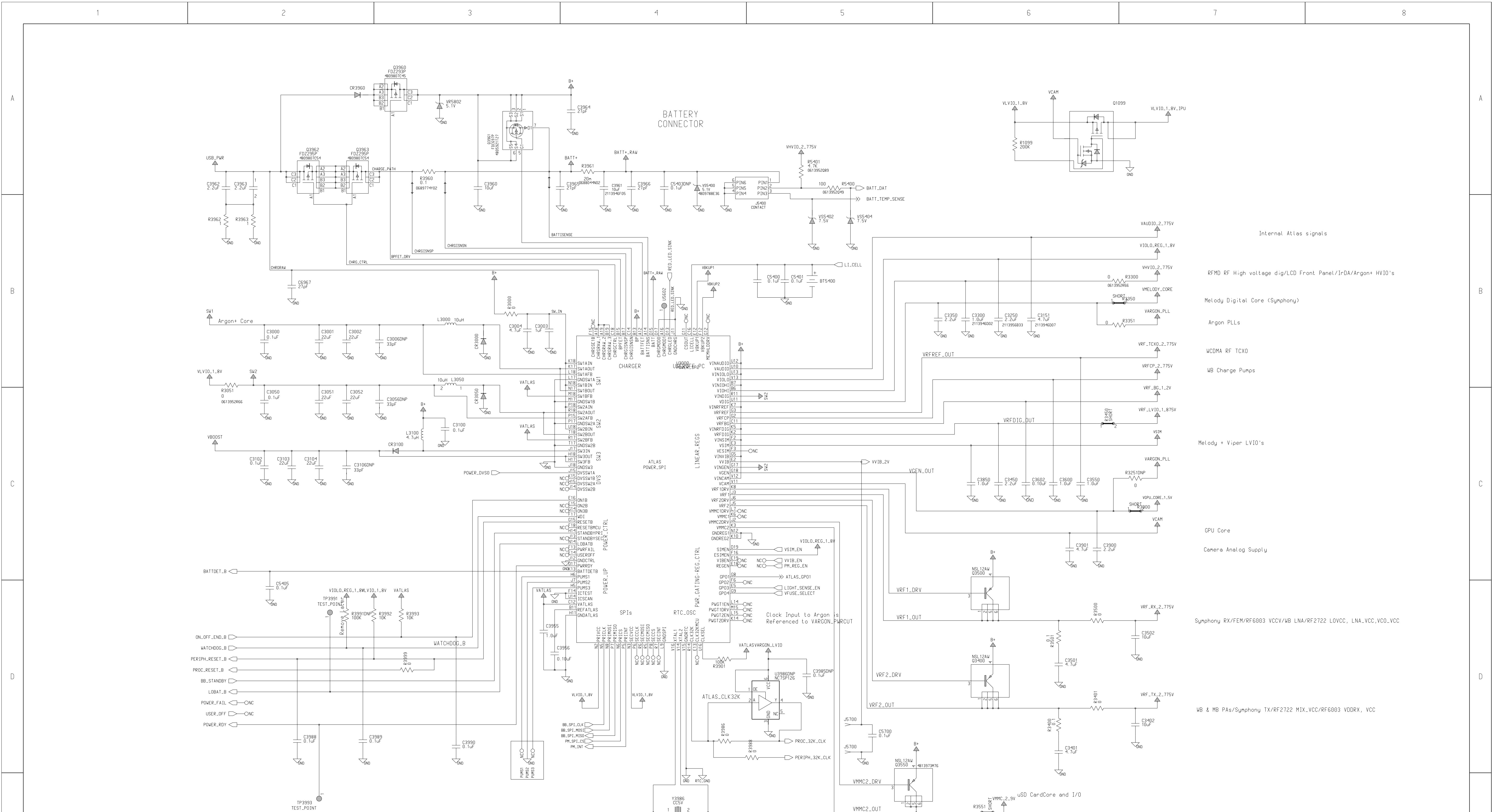


DEV ARGON LV 1.2 POP
CORE POWER, GROUND and NOT CONNECTED



Engineer: Chris Pipe	COMPANY NAME Address City		Size: D
Drawn by: Chris Pipe			TITLE: BOARD TO BOARD CONNECTOR
R&D CHK:	QA CHK:	REV	Page: 2
DOC CTRL CHK:	MFG CTRL CHK:	Drawing Number:	8 1 5 A

Changed by: w16564 Date Changed: Tuesday, August 10, 2004 Time: 4:29:50 pm



Internal Atlas signals

RFMD RF High voltage dig/LCD Front Panel/IrDA/Argon+ HVIO's

Melody Digital Core (Symphony)

Argon PLLs

WCDMA RF TCXO

WB Charge Pumps

Melody + Viper LVIO's

GPU Core

Camera Analog Supply

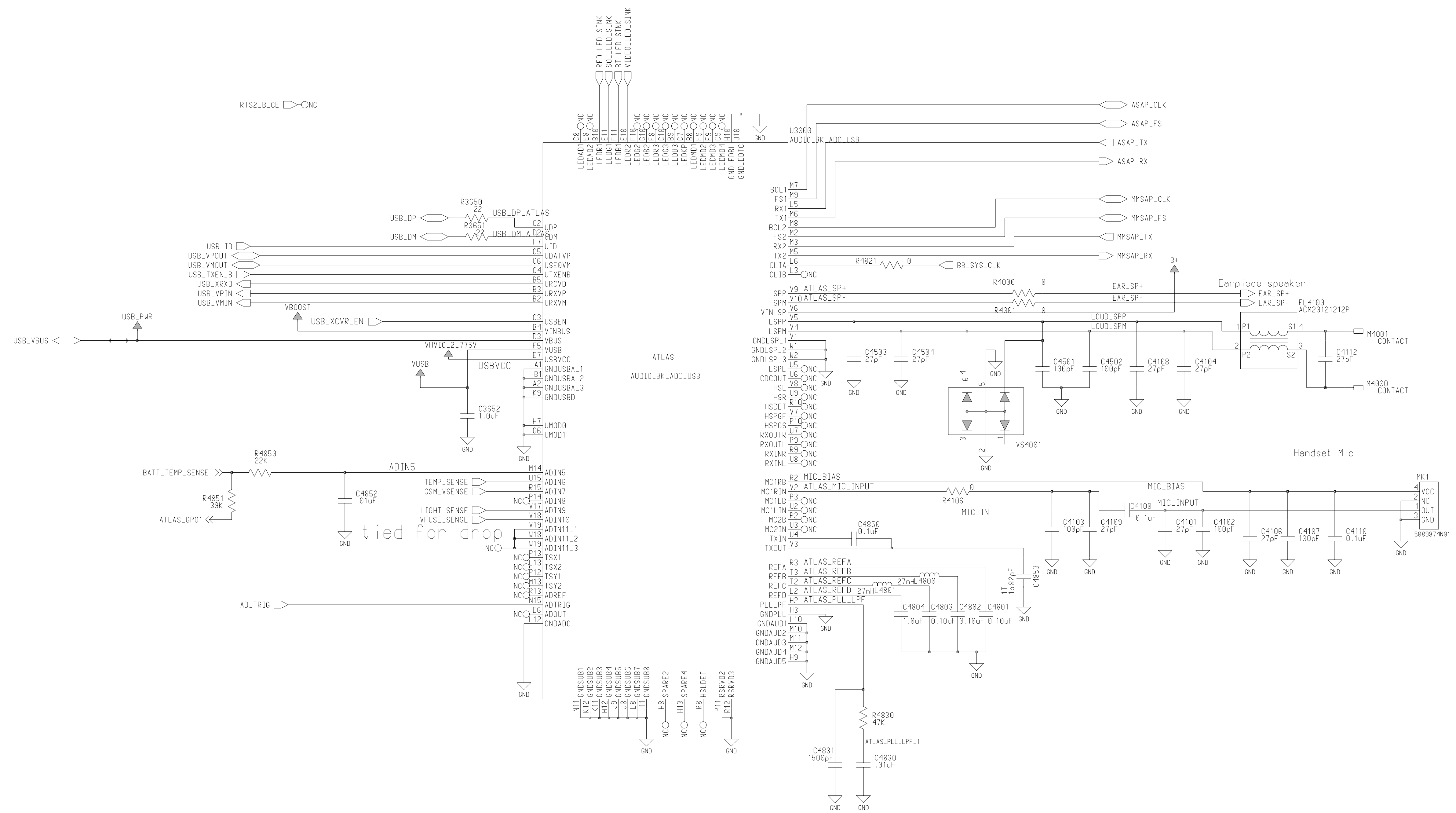
Symphony RX/FEM/RF6003 VCC/WB LNA/RF2722 LOWCC, LNA_VCC,VCO_VCC

WB & MB PAs/Symphony TX/RF2722 MIX_VCC/RF6003 VDDRX, VCC

Engineer:	Abe Keane	COMPANY NAME		
Drawn by:	Abe Keane	Address City		
R&D CHK:		TITLE:	ATLAS	Size: D
DOC CTRL CHK:		POWER		815A
MFG CTRL CHK:		REV:		Page: _POWER
QA CHK:		Drawing Number:		

Changed by: W15595 Date Changed: Friday, August 20, 2004 Time: 10:15:22 am

Engineer: Nick Klezek	TITLE: ATLAS Audio			Size: 11x21
Drawn by: Nick Klezek				
R&D CHK:				
DOC CTRL CHK:				
MFG CTRL CHK:				
QA CHK:	REV:	Drawing Number:	Page:	OF:
Changed by: W16564	Date: Monday, February 13, 2006			Time: 9:29:26 am



A
B
C
D