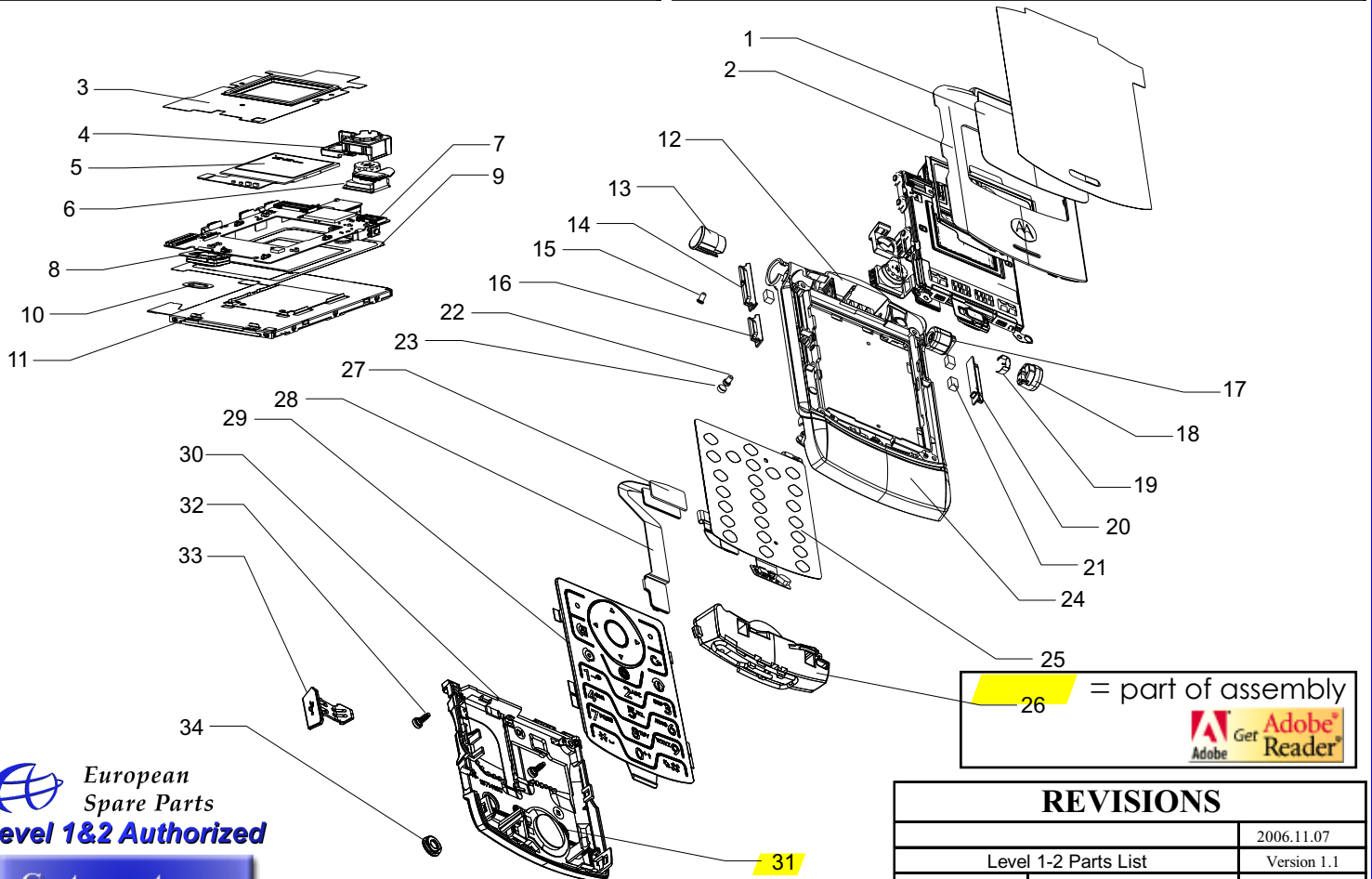


Item No.	Motorola Part No.	Description
-	0171432E01	Flip Front Housing Assy Borange
-	0171432E02	Flip Front Housing Assy Licorice
1	6171924C02	Lens CLI Display
2	0171981C05	Flip Cover <b>Borange</b>
2	0171981C06	Flip Cover <b>Licorice</b>
3	0171914D01	Bracket Display
4	0571957C01	Grommet Camera
5	7287518Y01	CLI Display
6	0171698C01	MPXL Camera
7	0171697C01	Flex Side Button
-	9471680E02	VGA Camera
8	0171274F01	Speaker
9	1171835D01	Adhesive Display
10	3271627E01	Gasket Speaker
11	7271829D01	Main Display
12	0171979C03	Flip Housing Assy Licorice
-	3387630Y01	M-Logo
13	1571119F03	Hinge Cap Left
14	3871974C03	Button Volume
15	0387726M08	Screw K1.5 x 4.7mm (Hinge Cap)
16	3871976C03	Button Smart
17	5571836E01	Hinge
-	4371759D01	Socket Hinge
18	1571118F03	Hinge Cap Right
19	3971139F01	Grounding Clip Hinge
20	3871978C03	Button Camera
21	7588382Y01	Pad Side Button
22	0387726M09	Screw M1.6x2.5mm (Flip)

Item No.	Motorola Part No.	Description
23	3890022N01	Screw Cover
-	6171923C02	Lens Main Display
-	3871836D01	Screw Cover Left
-	3871836D02	Screw Cover Right
24	0171433E01	Front Housing Assy <b>Borange</b>
24	0171433E02	Front Housing Assy <b>Licorice</b>
25	0171642C01	Keyboard Flex Assy
26	0171656E01	Antenna Assy
-	3871971C01	Grommet Antenna Assy
27	7571022E01	Pad Flex Assy
28	0171700D01	Flex Assy
29	0171437E01	Keypad English <b>Generic</b>
29	0171437E26	Keypad English <b>Vodafone</b>
29	0171437E32	Keypad English <b>TIM</b>
29	0171437E42	Keypad English <b>iMode</b>
30	0171431E01	Rear Housing Assy <b>Borange</b>
30	0171431E02	Rear Housing Assy <b>Licorice</b>
31	5088017N06	Alert Speaker
32	0387473K08	Screw M1.6x4.2mm (Rear Housing)
33	0571960C04	Grommet USB <b>Borange</b>
33	0571960C07	Grommet USB <b>Licorice</b>
34	0571961C04	Grommet RF <b>Borange</b>
34	0571961C07	Grommet RF <b>Licorice</b>
-	SPN5789B	Battery
-	SHN0024A	Battery Door <b>Borange Generic</b>
-	SHN9867A	Battery Door <b>Licorice Generic</b>
-	SHN0290A	Battery Door <b>Borange iMode</b>
-	SHN0266A	Battery Door <b>Licorice iMode</b>



European Spare Parts  
Level 1&2 Authorized

Go to next page

REVISIONS	
	2006.11.07
	Version 1.1
Product Name:	V3xx
	Page 1 of 2

