

MOTOROLA CONFIDENTIAL PROPRIETARY

MOTOROLA INTERNAL USE ONLY

D1 L1 - L5 C1 - C13 R1 - R4

Engineer:	J. BUONANNO			MOTOROLA INC.
Drawn by:	J. BUONANNO			
R&D CHK:				TITLE:
DOC CTRL CHK:				Size:
MFG CTRL CHK:				CDMA KEYBOARD
QA CHK:	REV: O	Drawing Number: 8489922Y07	Page: 1	Of: 1
Changed by:	Date:			Time:

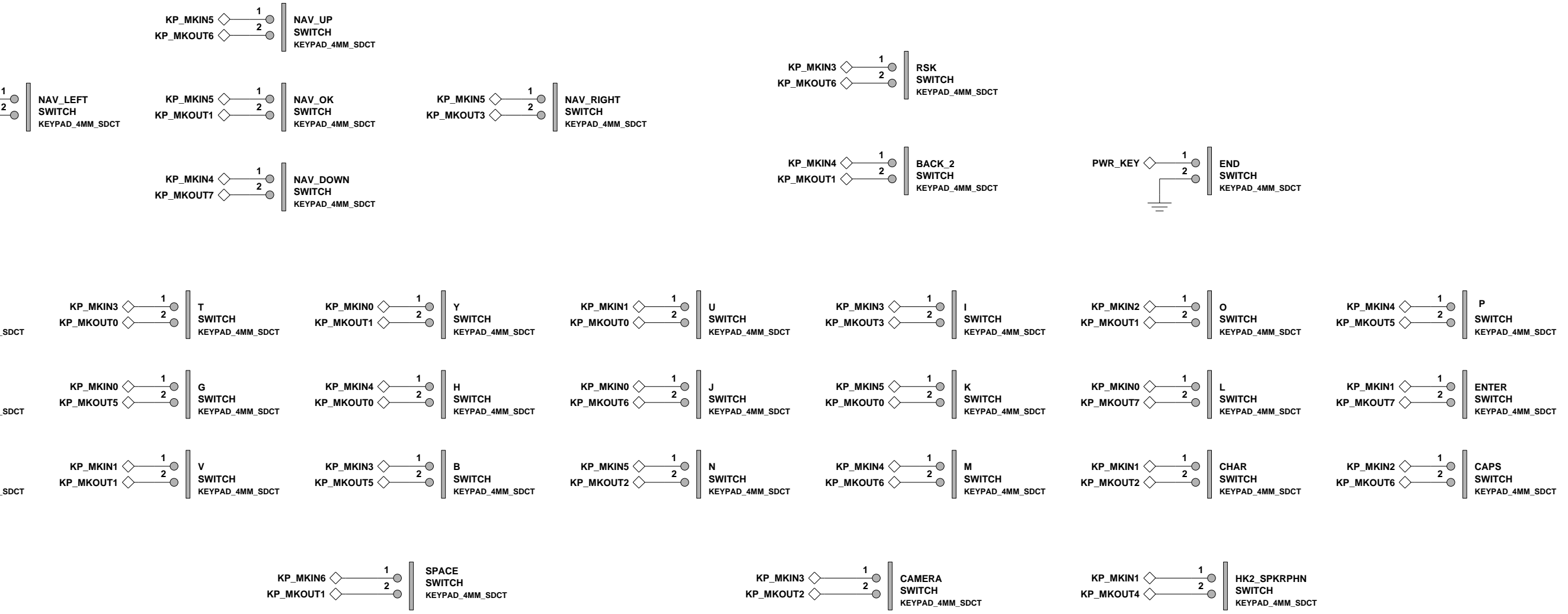
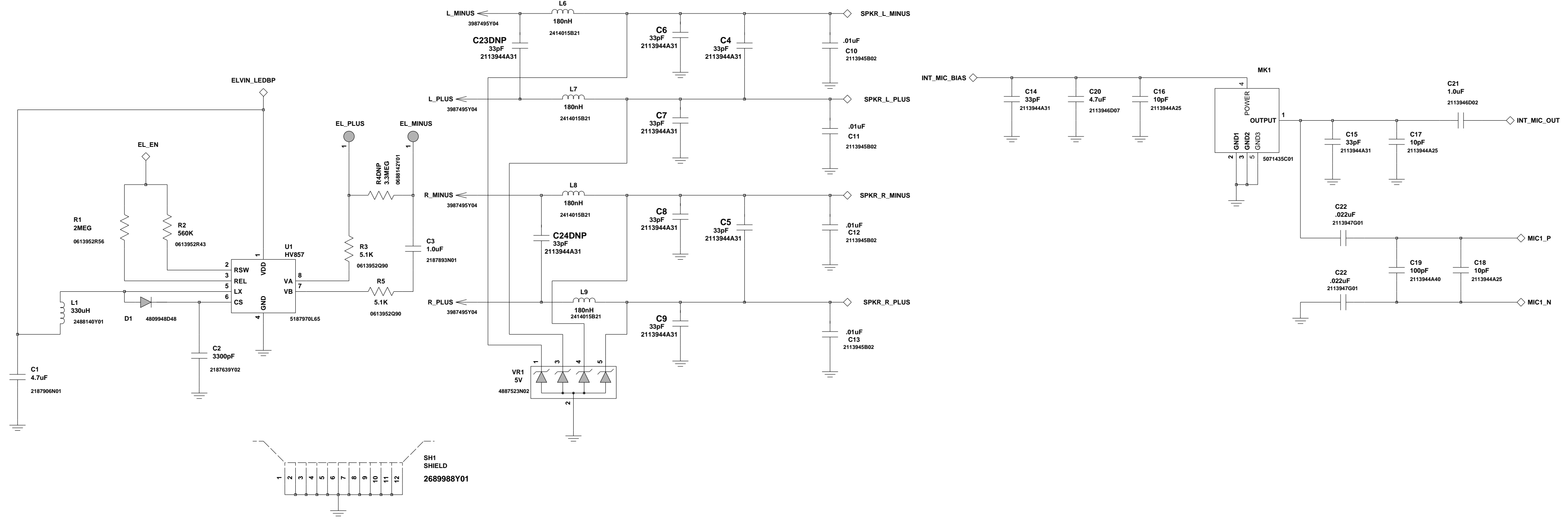
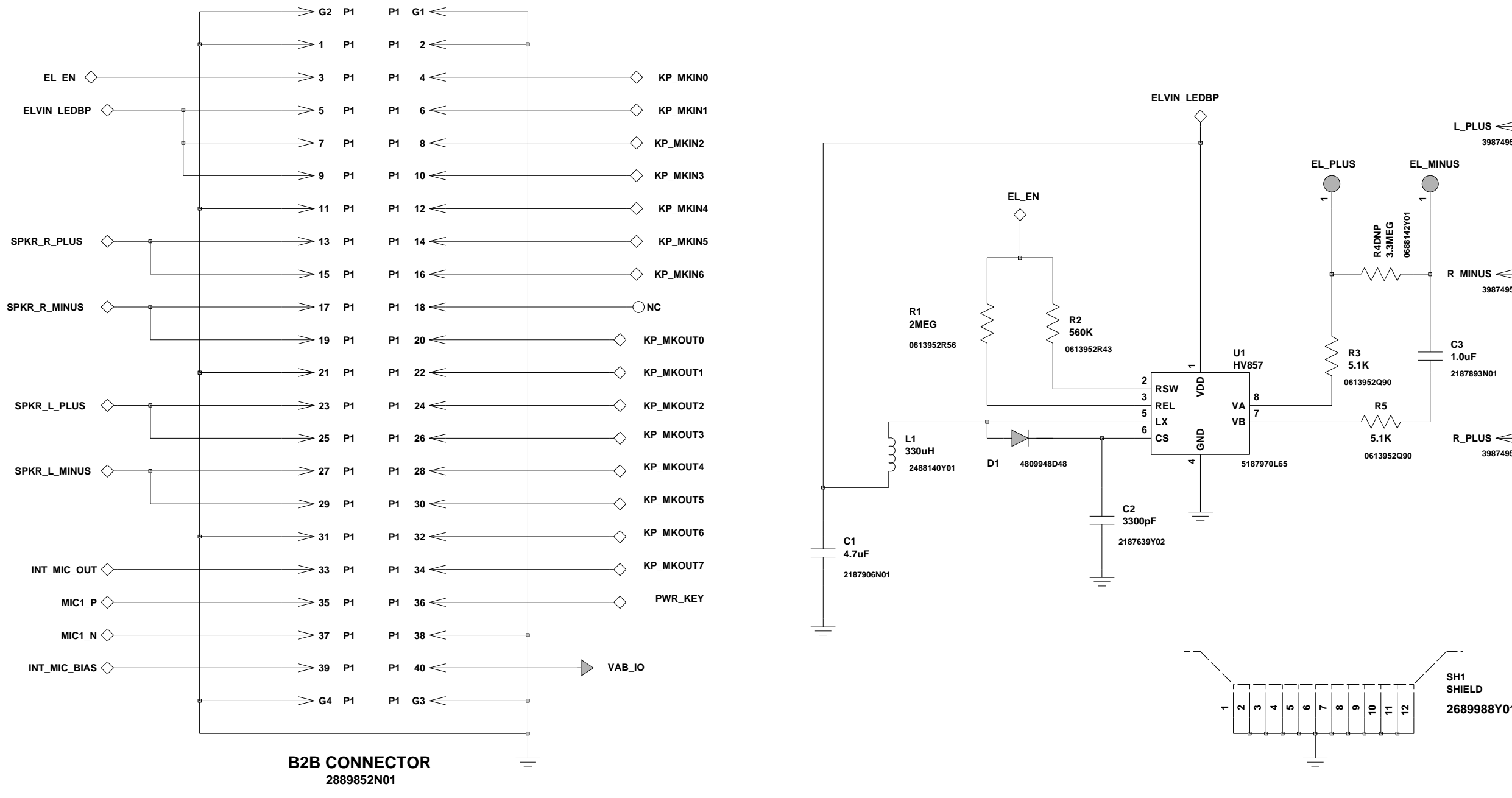
J. BUONANNO 7-12-05 RF

A

B

C

D



Engineer:	J. BUONANNO			MOTOROLA INC.
Drawn by:	J. BUONANNO			
R&D CHK:				TITLE:
DOC CTRL CHK:				Size:
MFG CTRL CHK:				CDMA KEYBOARD
QA CHK:	REV: O	Drawing Number: 8489922Y07	Page: 1	Of: 1
Changed by:	Date:			Time:

