

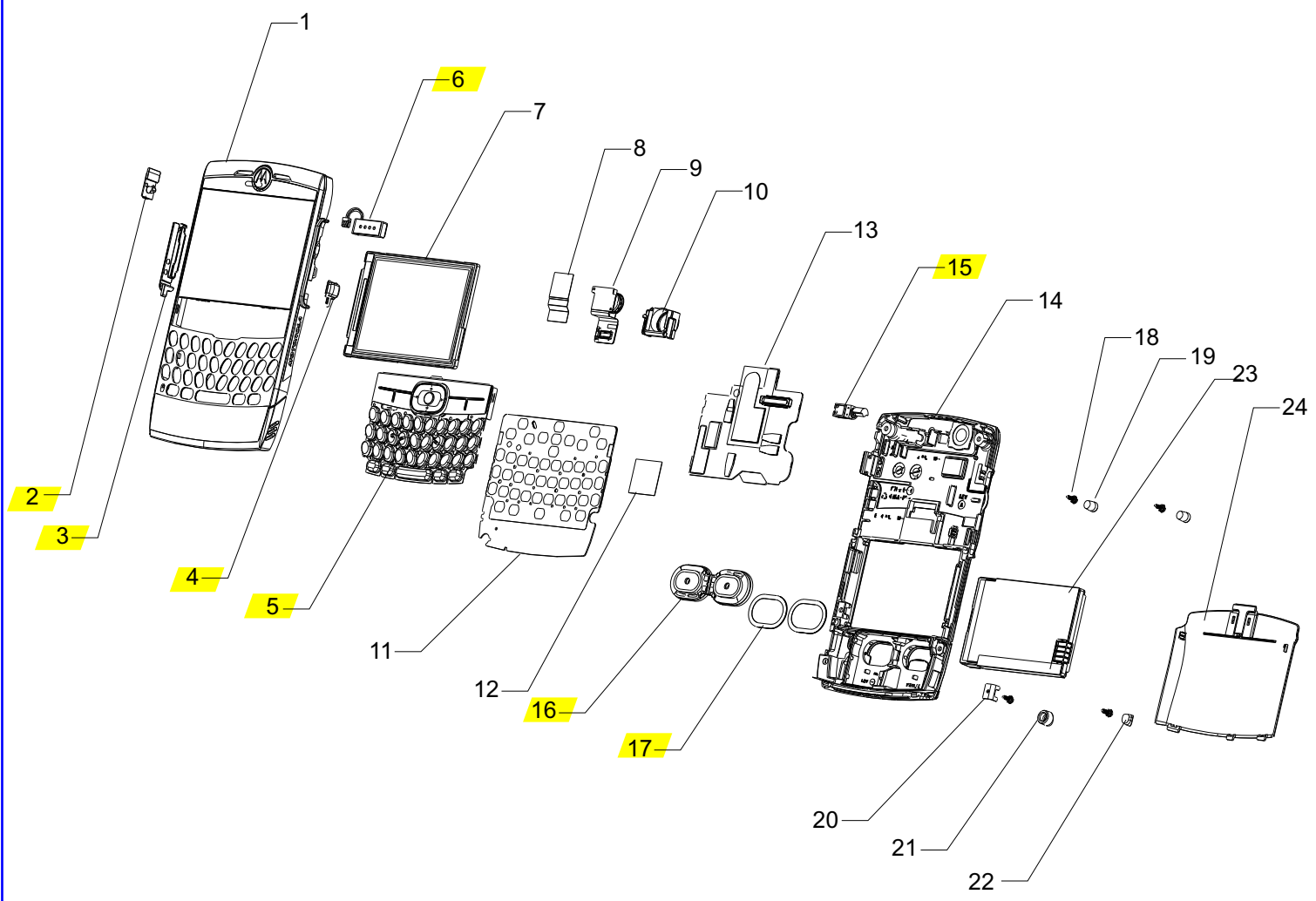
GSM Q8

Item No.	Motorola Part No.	Description	Europe	MEA
1	1571066D01	Front Housing Assy English	✓	✓
2	→0571119B01	→Grommet Headset	✓	✓
3	→0571058D01	→Grommet SD Card	✓	✓
4	→3871041B02	→Side Button	✓	✓
5	→3871040B07	→Keypad English	✓	✓
6	→5071495B01	→Speaker	✓	✓
-	→3271484B01	→Gasket Speaker	✓	✓
5	3871040B12	Keypad Arabic		✓
7	7289804Y01	Display Assy	✓	✓
8	3271840F01	Gasket Camera	✓	✓
9	8471427B01	Camera Assy	✓	✓
10	0571124B01	Bracket Camera	✓	✓
11	0171602C04	Keyboard Assy	✓	✓

Item No.	Motorola Part No.	Description	Europe	MEA
12	3271044F01	Adhesive Keyboard	✓	✓
13	0171655C05	Daughter Board Assy	✓	✓
14	0171700C01	Rear Housing Assy	✓	✓
15	→0171267C01	→Vibrator	✓	✓
16	→5088317Y01	→Alert Speaker	✓	✓
17	→3571269B01	→Gasket Alert Speaker	✓	✓
18	0387790L13	Screw M1.6x4.2mm	✓	✓
19	3871116B01	Screw Cover Top	✓	✓
20	0771117B01	Bracket Locking	✓	✓
21	3871301B01	Grommet RF	✓	✓
22	3871127B01	Screw Cover Bottom	✓	✓
23	SNN5782B	Battery	✓	✓
24	SHN0315A	Battery Door	✓	✓

Table 1.00

[Yellow Highlight] = part of assembly



REVISIONS	
European & MEA	2008.01.10
Level 1-2 Parts List	Version 1.1
Product Name:	GSM Q8
	Page 1 of 2

Level 1-2 Parts List Components					
Ref. Des.	Part Number	Description	EU	MEA	Comments
J100	0988612M01	CONNECTOR RF	✓	✓	
J500	0989675N03	HEADSET CONNECTOR	✓	✓	
J604	3971497F01	CONNECTOR BATTERY	✓	✓	
J700	0988486Y07	CONNECTOR USB	✓	✓	
J800	0988866N01	CONNECTOR MAIN DISPLAY	✓	✓	
J802	0971413C01	CONNECTOR 50 PIN	✓	✓	
M100	3264646H01	GSKT,MULTI PURP,SILC	✓	✓	
M103	3987977Y01	ANTENNA CONNECTOR	✓	✓	
M31 M32 M33 M34	1188983Y01	UNDERFILL L-SHAPE	✓	✓	
M4	3988194N10	CONNECTOR POGO 2 PIN	✓	✓	
P500	0971278B01	CONNECTOR 10 PIN	✓	✓	
P800	0985792F02	CONNECTOR FLIP	✓	✓	
S300	4071225B02	SWITCH WHEEL	✓	✓	

Table 2.00

Revision History		
Version	Date	Description
1.0	27-Apr-2007	Released
1.1	10-Jan-2008	Add Arabic Keypad