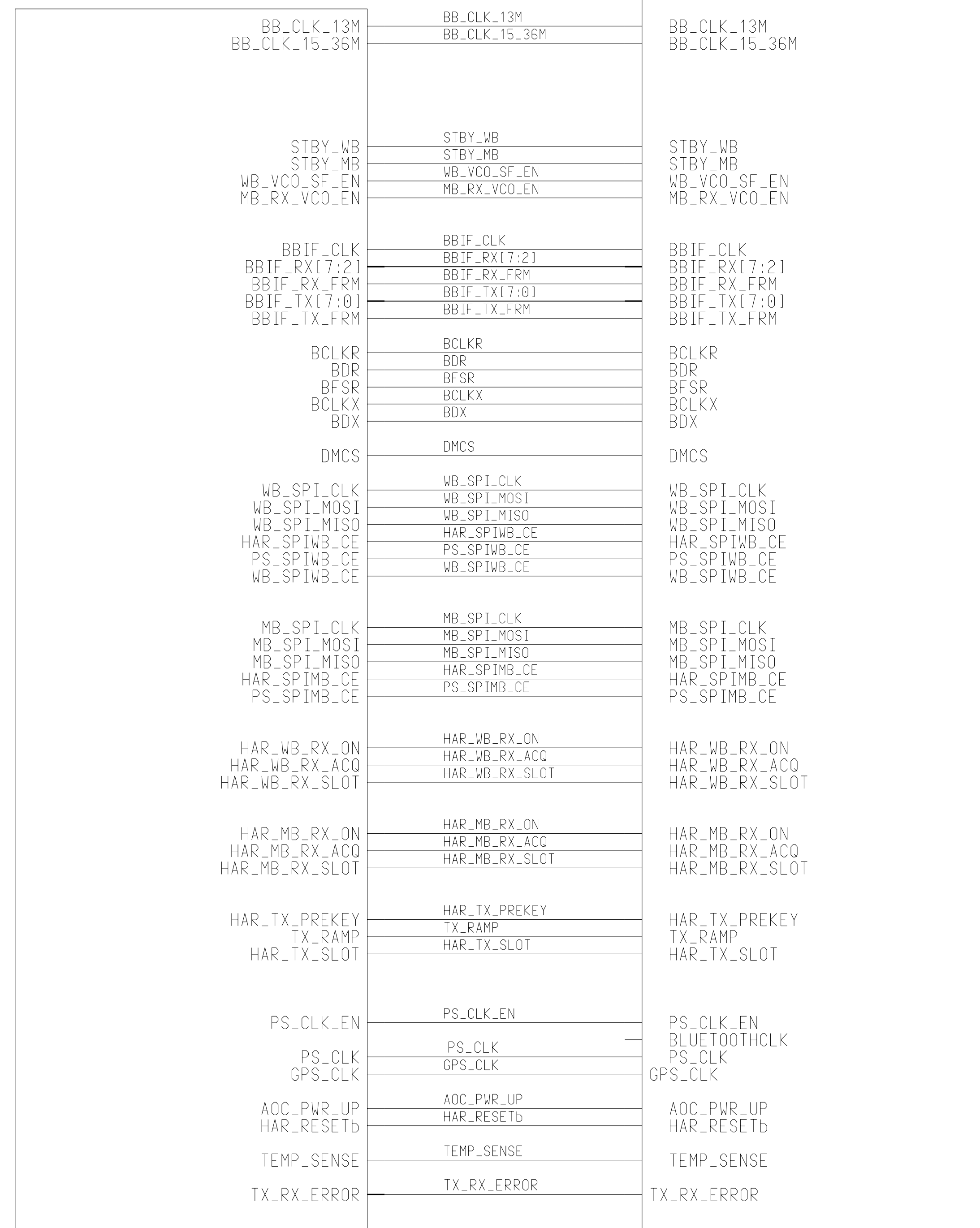


Engineer: Ed Naddeo	TITLE: ELK (E1000)			Size: 11x17
Drawn by: Ed Naddeo	REV: 8489659N01			Page: 1
R&D CHK:	MFG CTRL CHK:			Of: 1
DOC CTRL CHK:	Top Level			
QA CHK:	Date: September 17, 2003	Page:	Of:	Time: 10:43:18 am
Changed by: Ed Naddeo				

Baseband

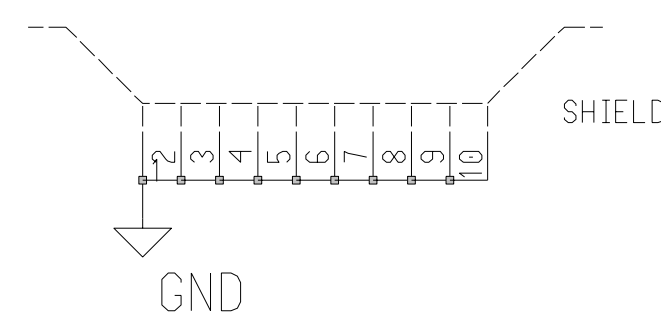
RF



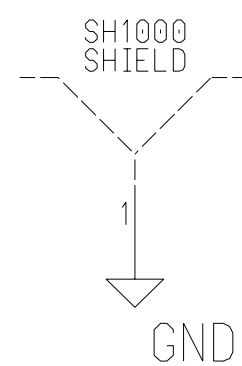
Megapixel Imager Shield



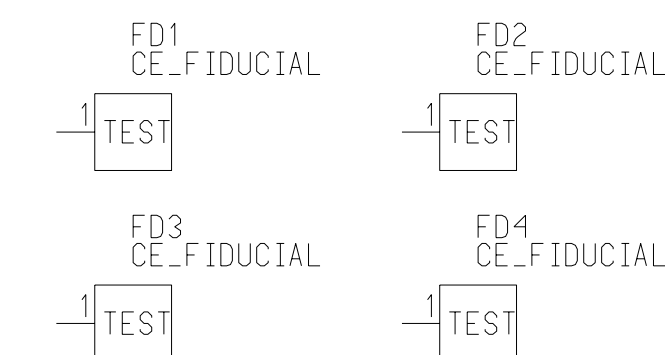
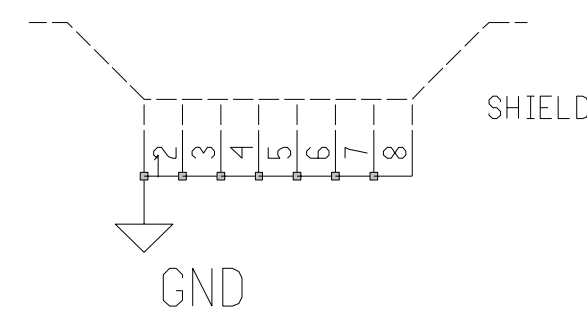
WCDMA PA Shield
SH400

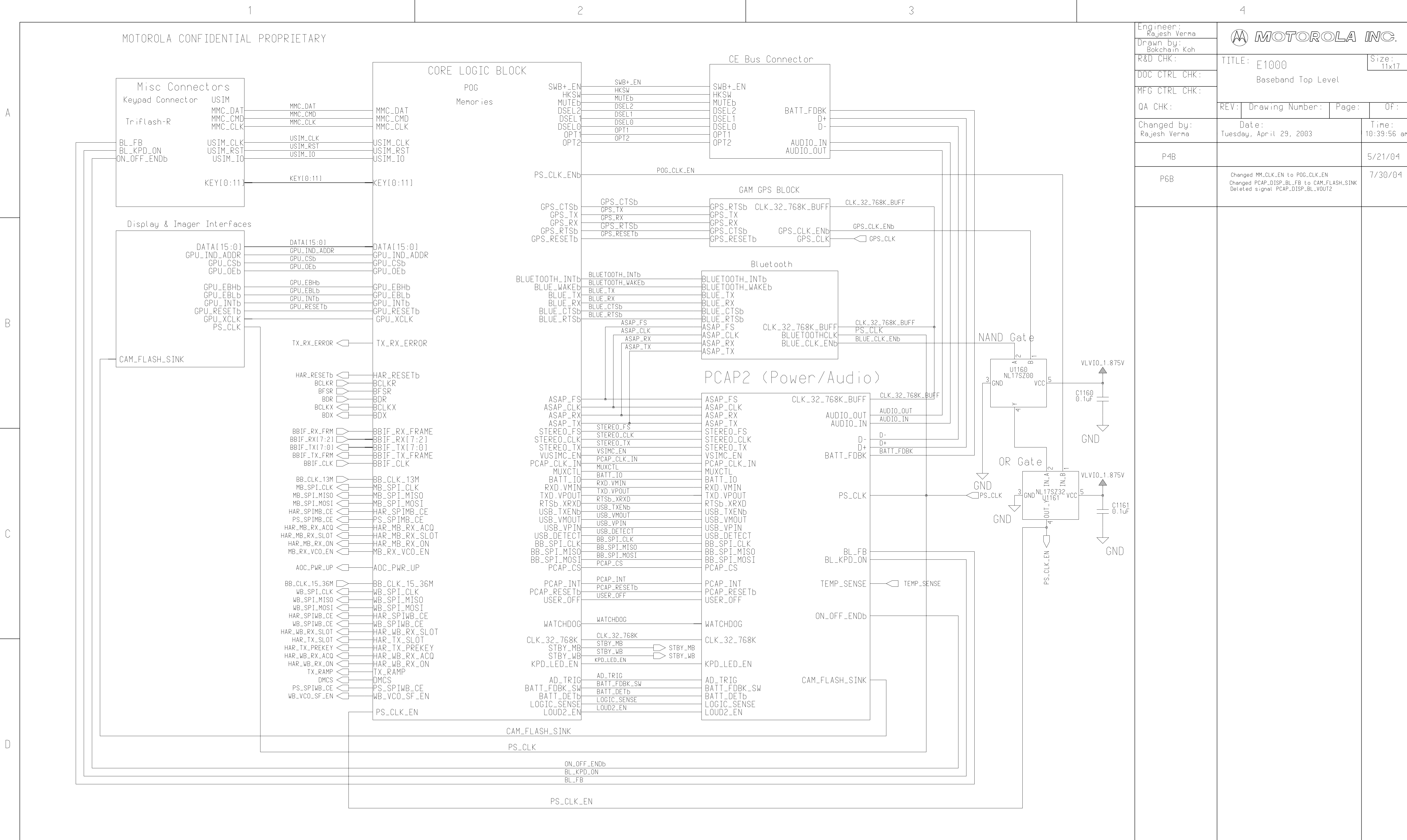


POG Shield
SH1000 SHIELD



Bluetooth Shield
SH5600



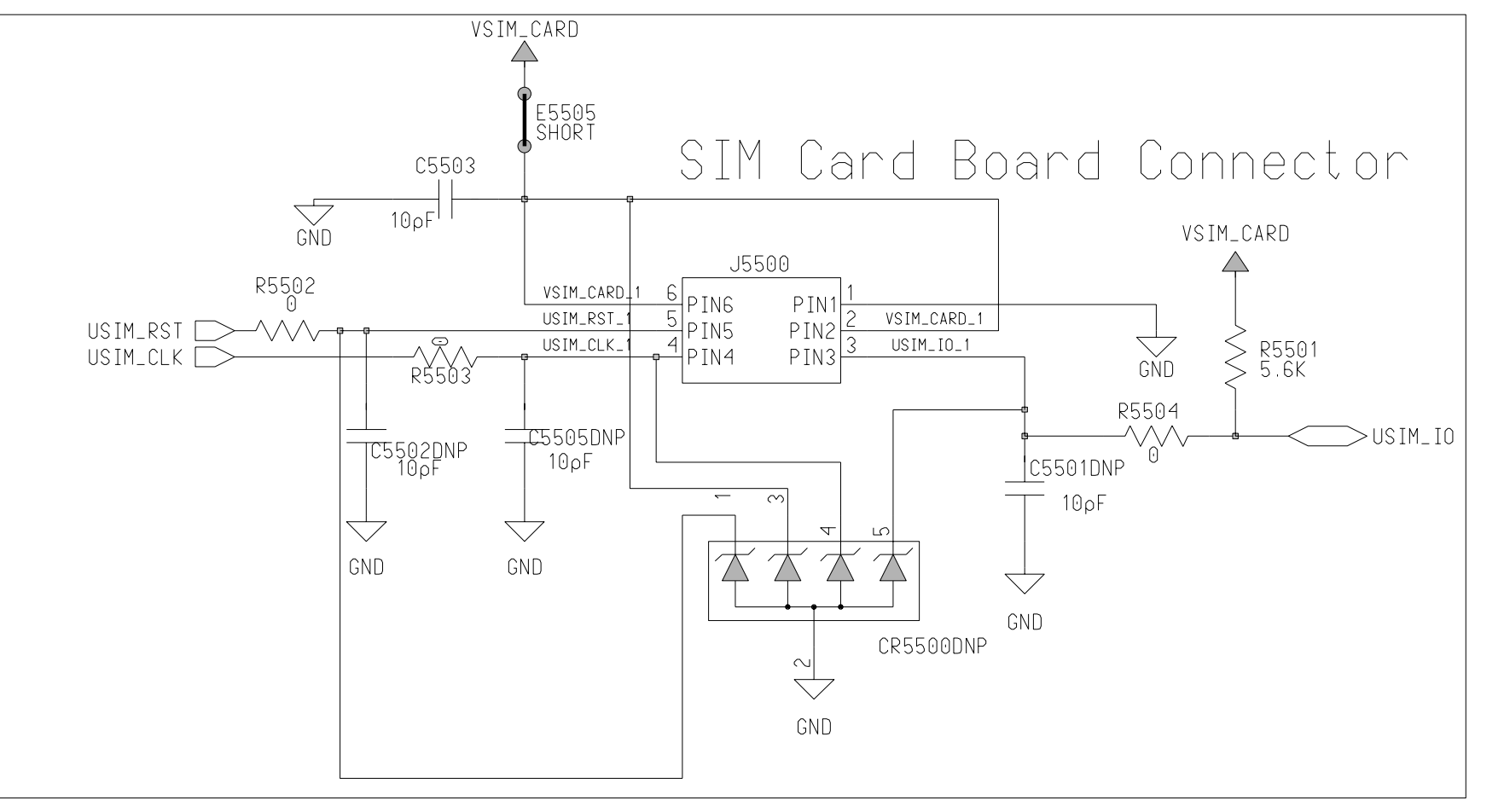
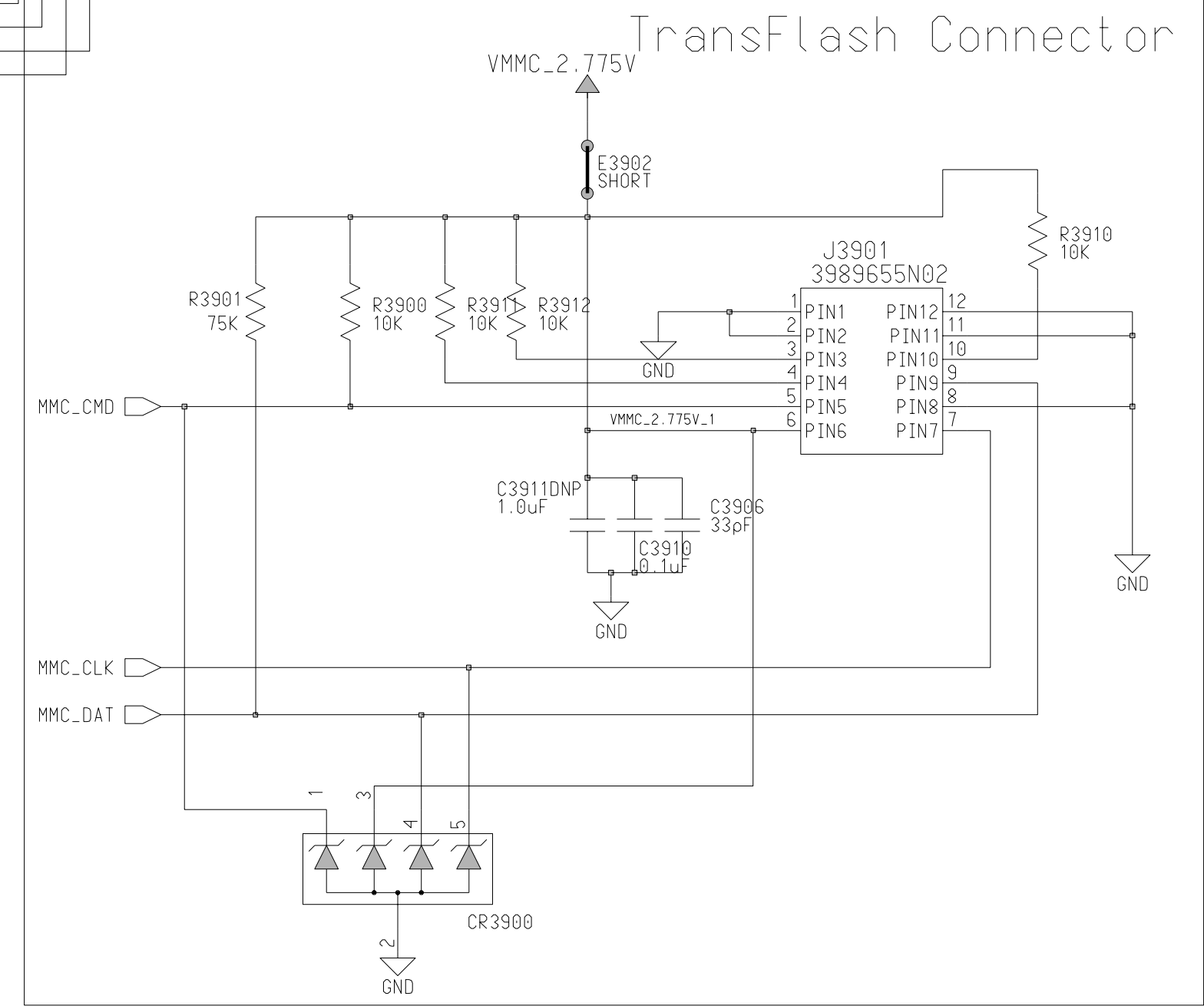
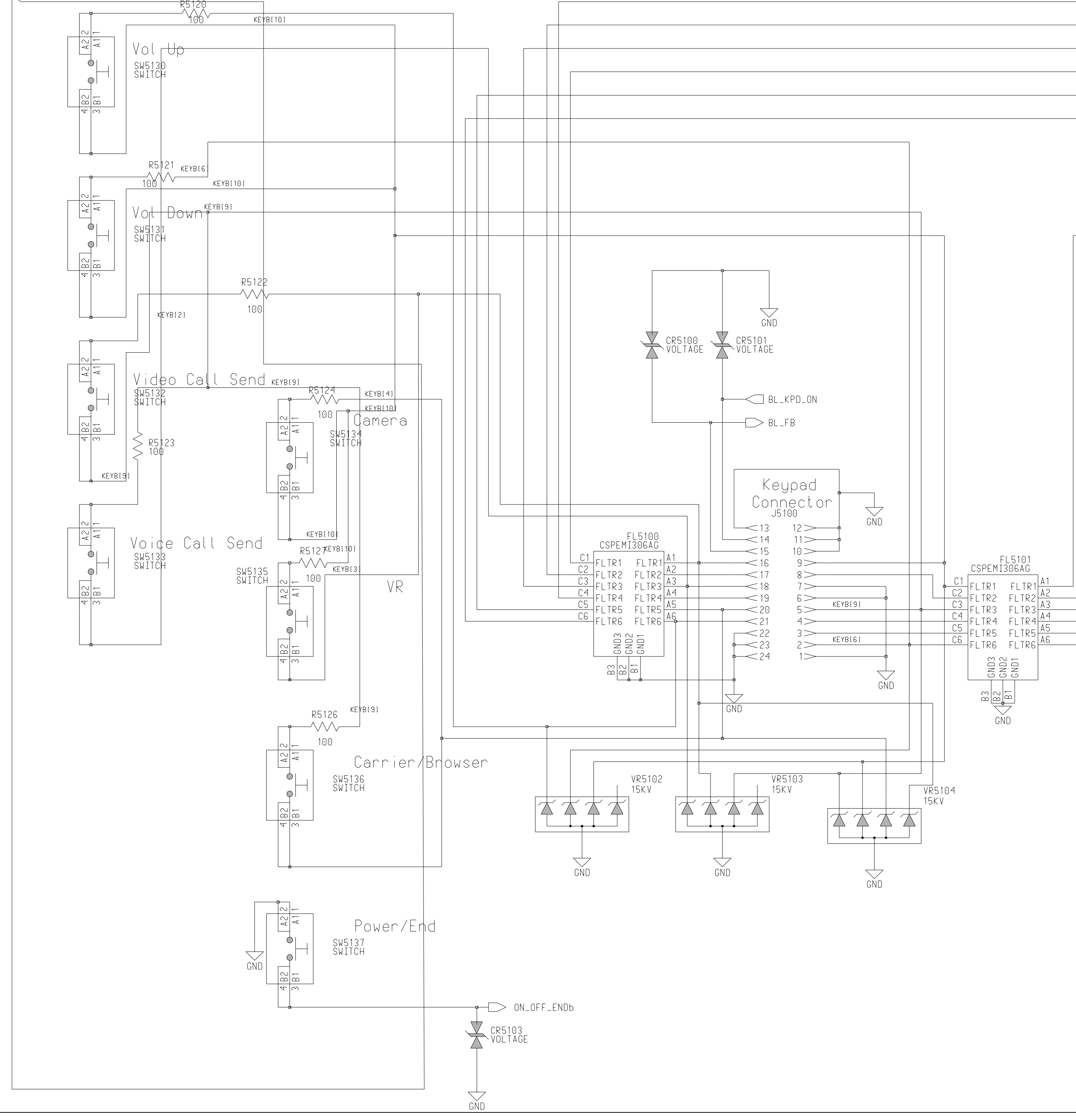


Engineer: Rajesh Verma			
Drawn by: Bokchain Koh			
R&D CHK:	TITLE: E1000	Size: 11x17	
DOC CTRL CHK:	Baseband Top Level		
MFG CTRL CHK:	REV: Drawing Number:	Page:	Of:
QA CHK:	Date: Tuesday, April 29, 2003	Time: 10:39:56 am	
Changed by: Rajesh Verma	P4B	5/21/04	
	P6B	7/30/04	

Changed MM_CLK_EN to POG_CLK_EN Changed PCAP_DISP_BL_FB to CAM_FLASH_SINK Deleted signal PCAP_DISP_BL_VOUT2			
---	--	--	--

Engineer: Rajesh Verma	TITLE: E1000			Size: 11x21
Drawn by: Rajesh Verma	Misc Connectors			
R&D CHK:	REV: 1	Drawing Number:	Page:	Of:
DOC CTRL CHK:	Date: Tuesday, November 4, 2003			Time: 11:27:59 am
MFG CTRL CHK:				
QA CHK:				
Changed by: Rajesh Verma	Date: Tuesday, November 4, 2003			Time: 11:27:59 am

Side Keys



- KEY[0] 0
- KEY[1] 1
- KEY[2] 2
- KEY[3] 3
- KEY[4] 4
- KEY[5] 5
- KEY[6] 6
- KEY[7] 7
- KEY[8] 8
- KEY[9] 9
- KEY[10] 10
- KEY[11] 11

A
B
C
D

REVISIONS				
ZONE	REV	DESCRIPTION	DATE	APPROVED

D

D

C

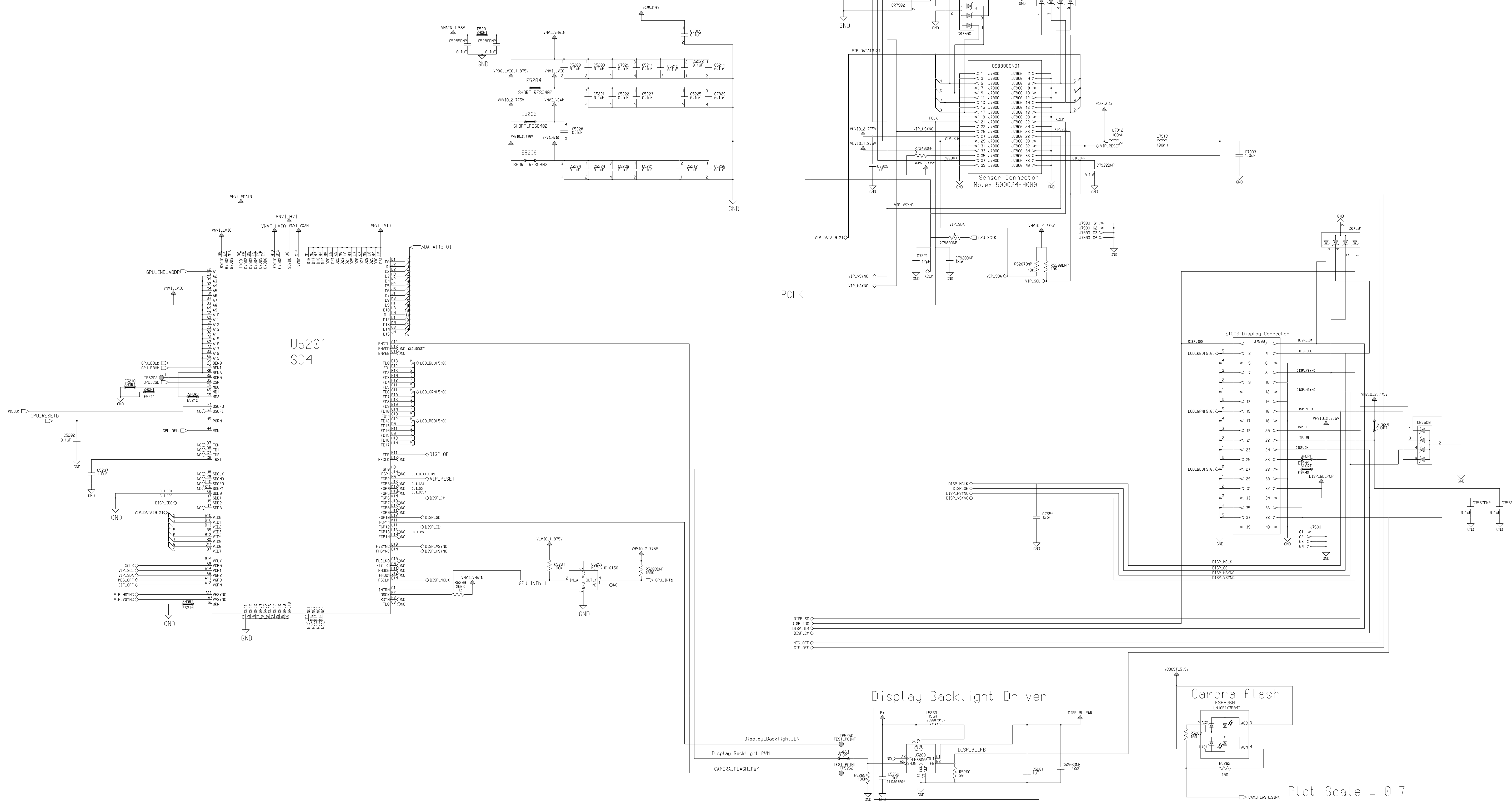
C

B

B

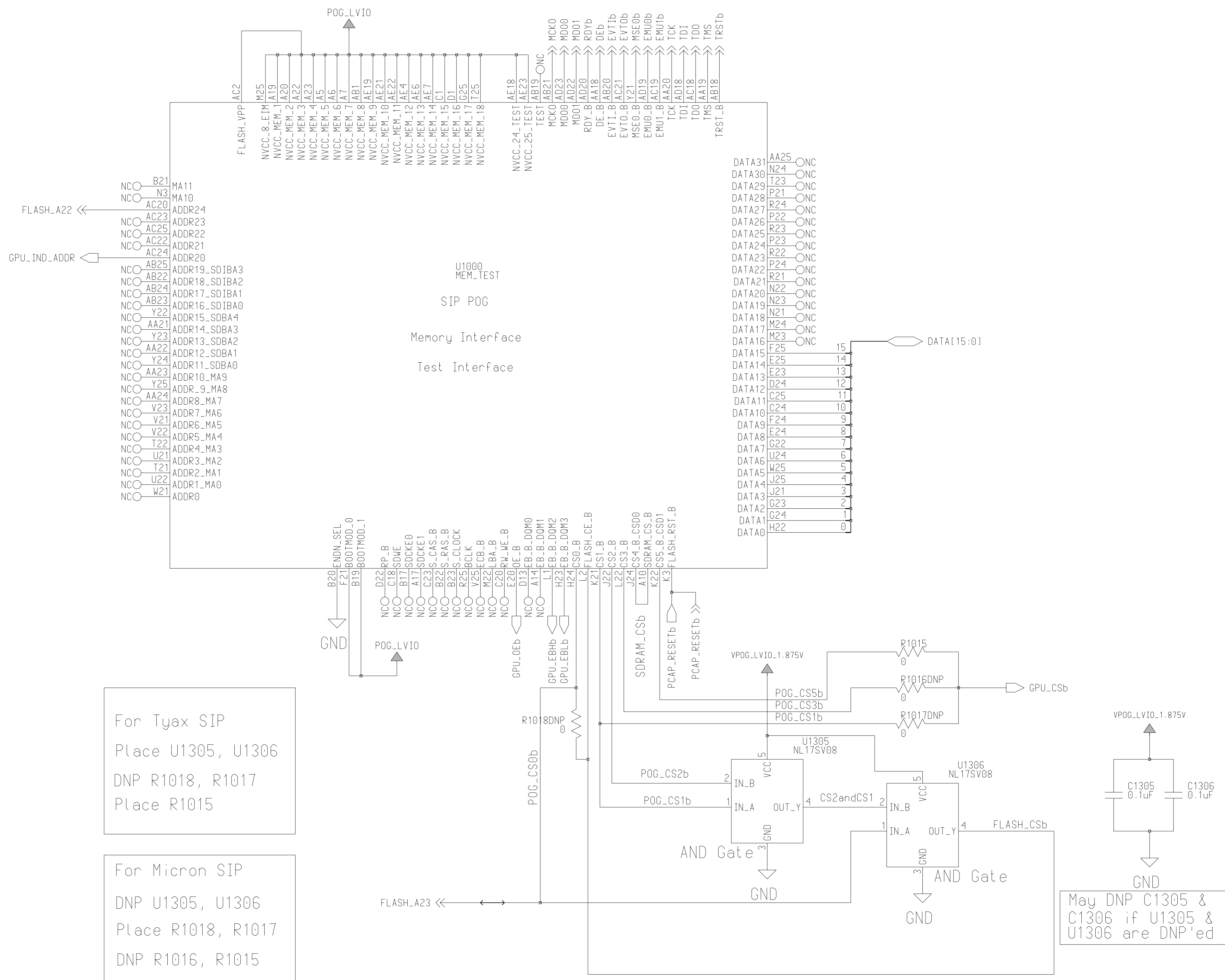
A

A



Engineer: Bokchain Koh			
Drawn by: Bokchain Koh			
R&D CHK:	TITLE: E1000	Size:	
DOC CTRL CHK:	Video & Graphics		
MFG CTRL CHK:	REV: Drawing Number:	Page:	Of:
QA CHK:	Date: 7/2/03		Time:
Changed by: Chris Pipe /Ahmed			1:36:56 pm

Engineer:	MOTOROLA INC.		
Drawn by:			
R&D CHK:	TITLE:	Size:	
DOC CTRL CHK:	E1000 SiP POG		
MFG CTRL CHK:	Memory & Test Interfaces		
QA CHK:	REV:	Drawing Number:	Page: Of:
Changed by:	Date:	Time:	

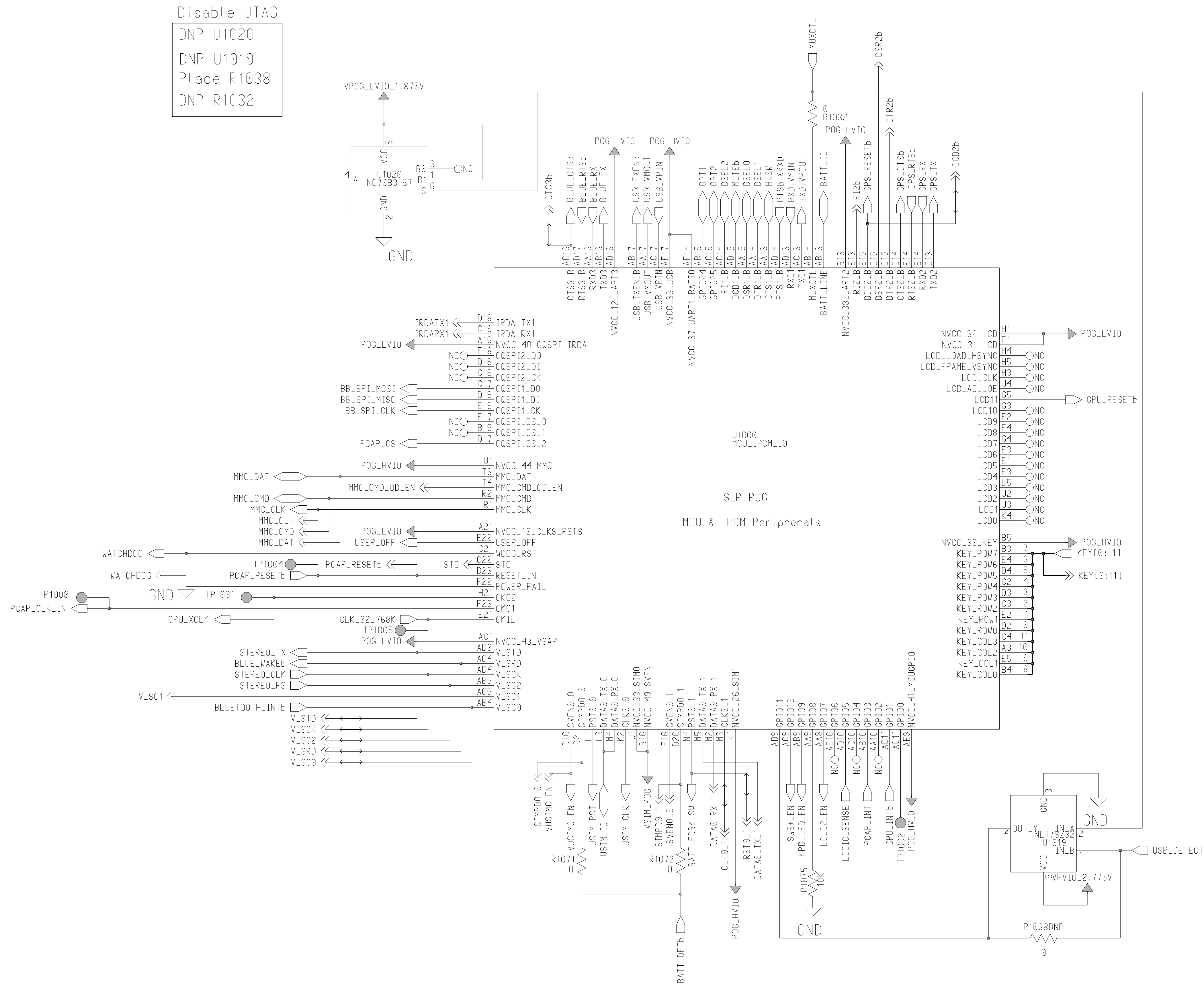


A

B

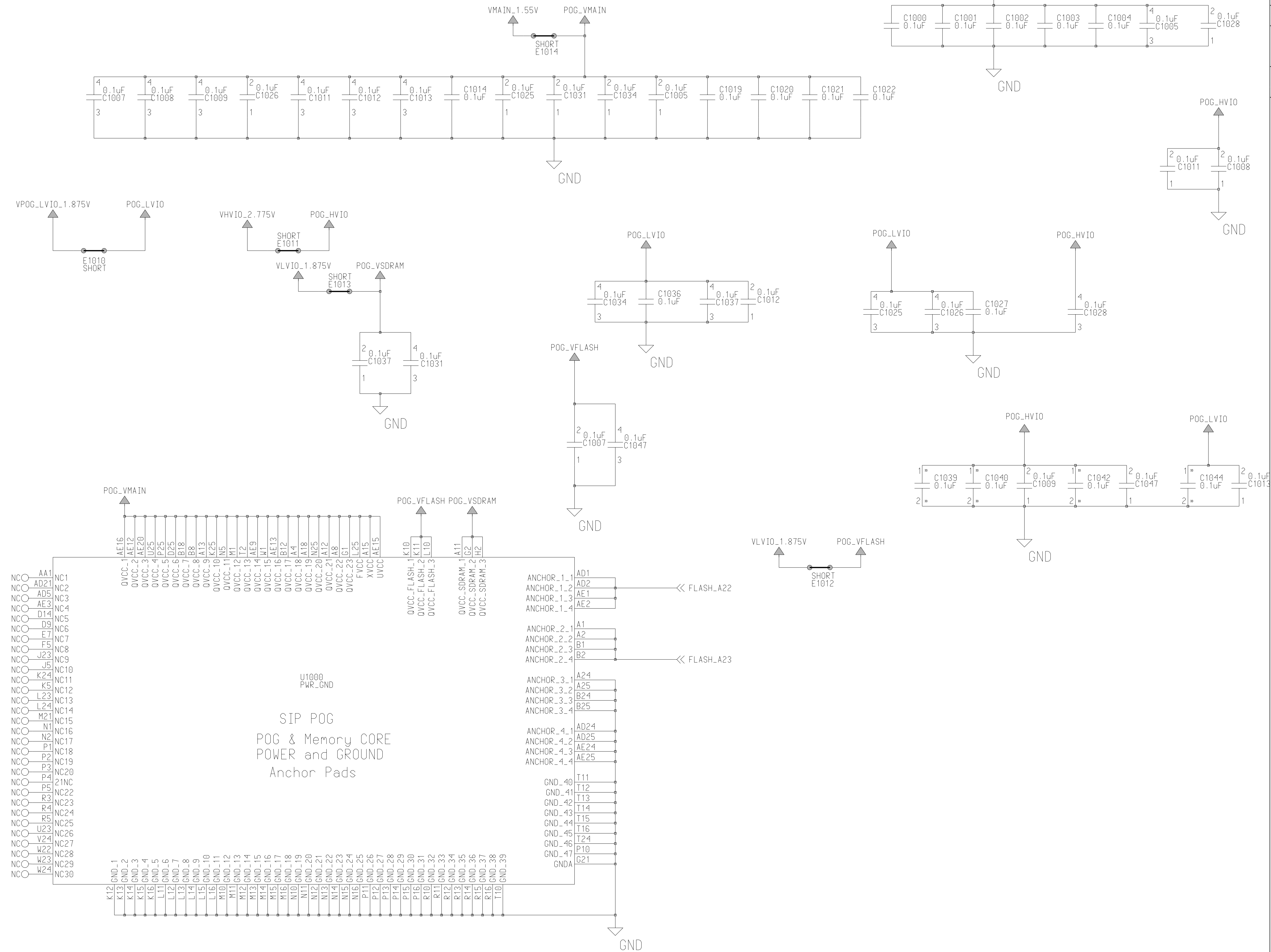
C

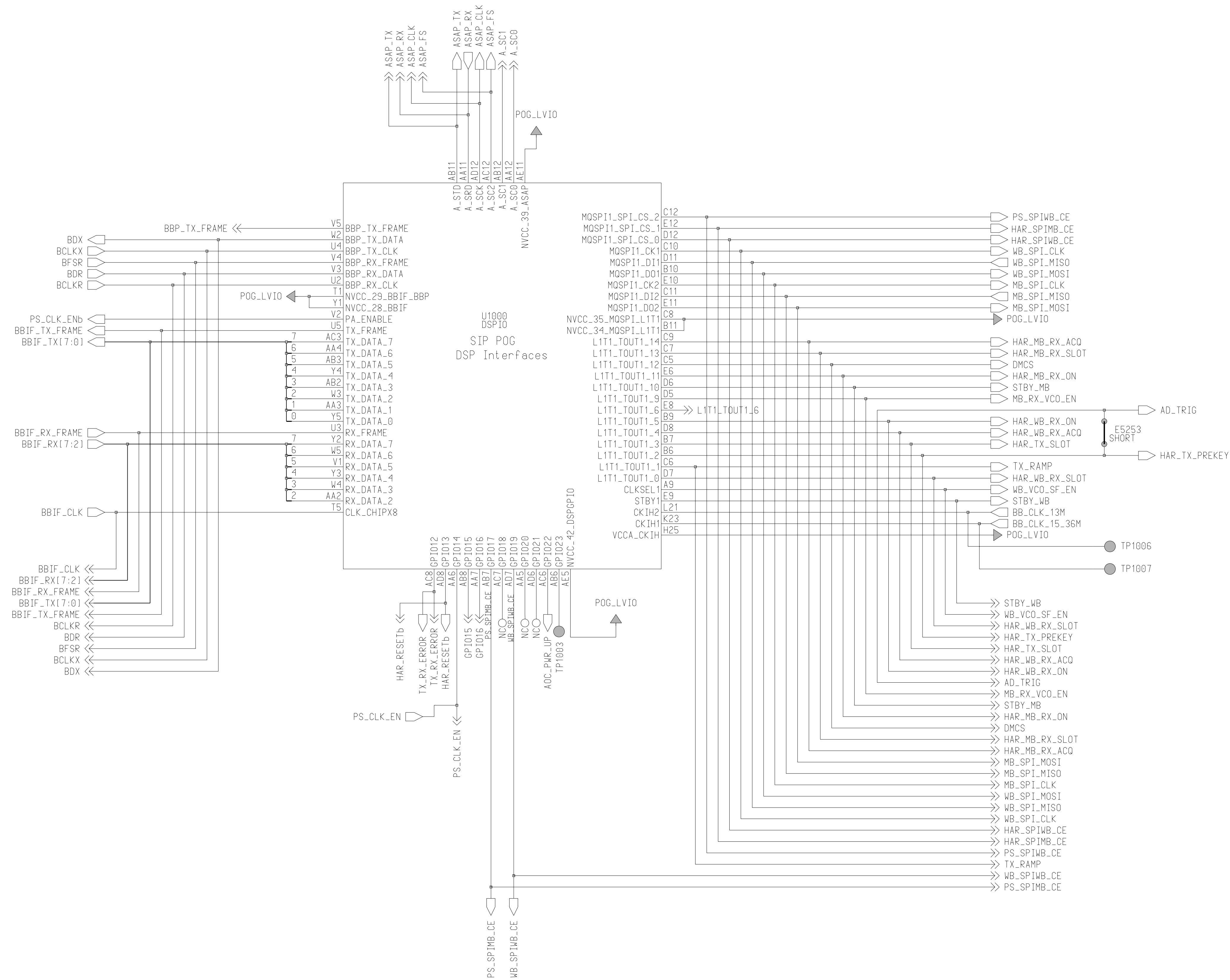
D



Engineer:	MOTOROLA INC.		
Drawn by:			
R&D CHK:	TITLE:	Size:	
DOC CTRL CHK:	E1000 SiP POG		
MFG CTRL CHK:	Peripheral Interfaces		
QA CHK:	REV:	Drawing Number:	Page: Of:
Changed by:	Date:	Time:	

Engineer:	MOTOROLA INC.		
Drawn by:			
R&D CHK:	TITLE:	Size:	
DOC CTRL CHK:	E1000 SiP POG		
MFG CTRL CHK:	Power and Ground		
QA CHK:	REV:	Drawing Number:	Page: Of:
Changed by:	Date:	Time:	

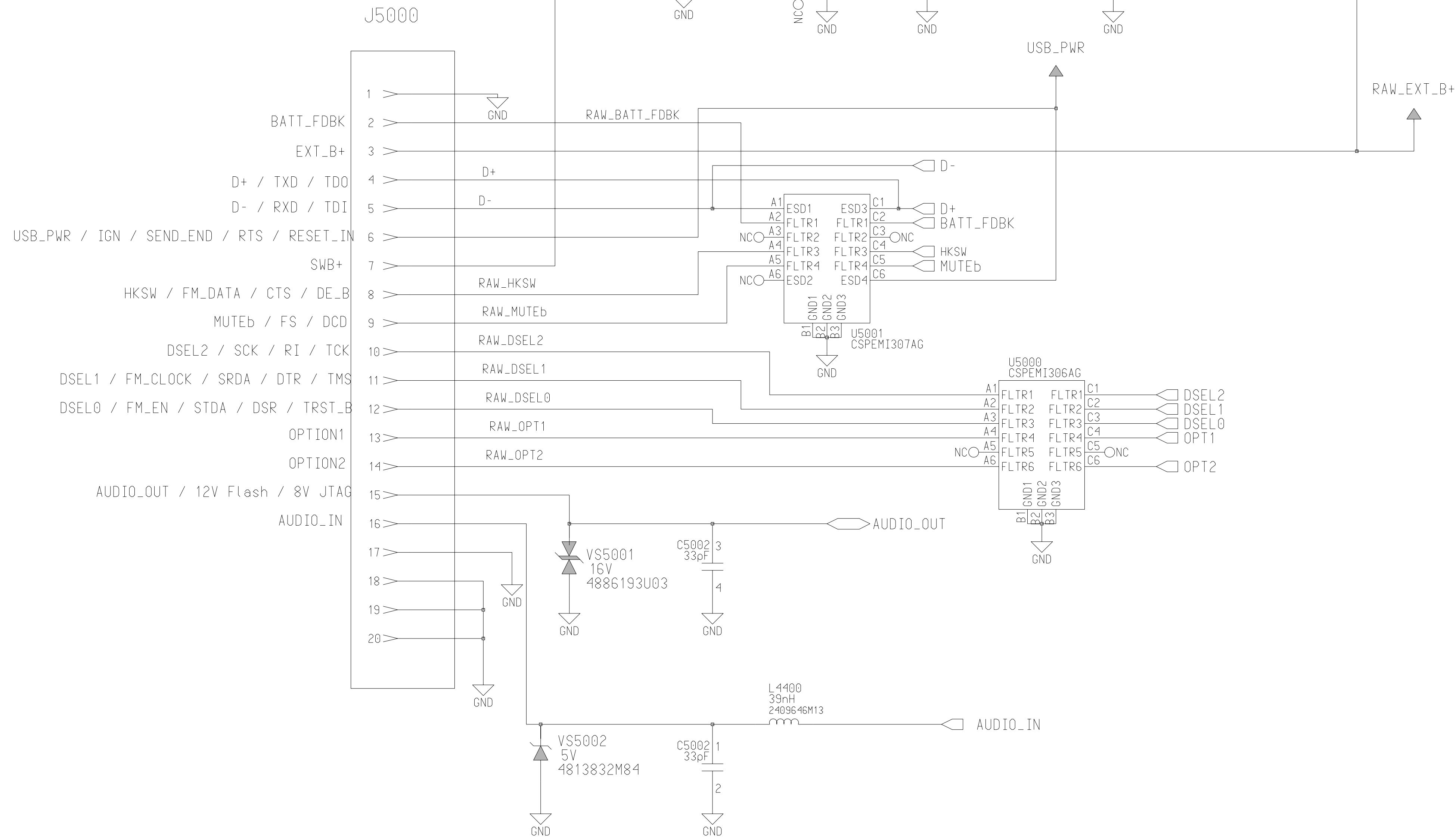




Engineer:	MOTOROLA INC.		
Drawn by:			
R&D CHK:	TITLE:	Size:	
DOC CTRL CHK:	E1000 SiP POG		
MFG CTRL CHK:	DSP Interfaces		
QA CHK:	REV:	Drawing Number:	Page: Of:
Changed by:	Date:	Time:	

MOTOROLA CONFIDENTIAL PROPRIETARY

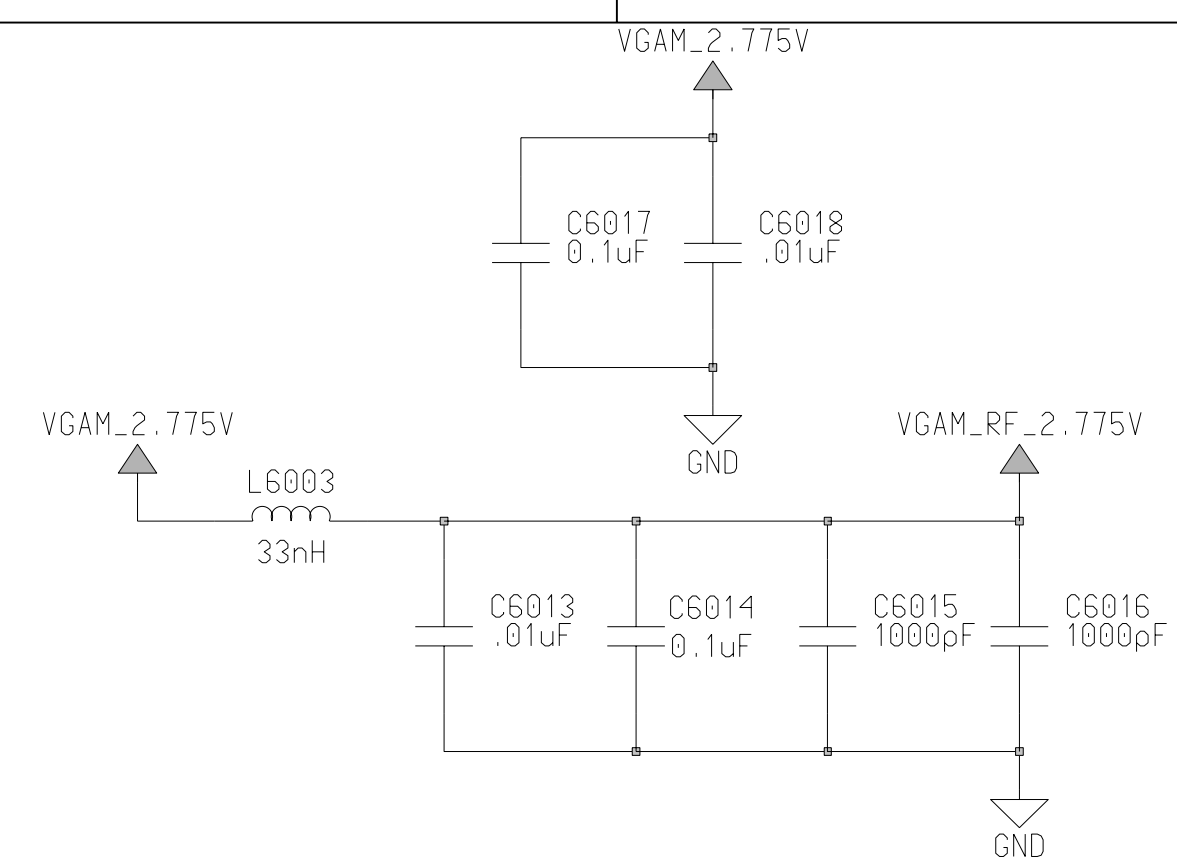
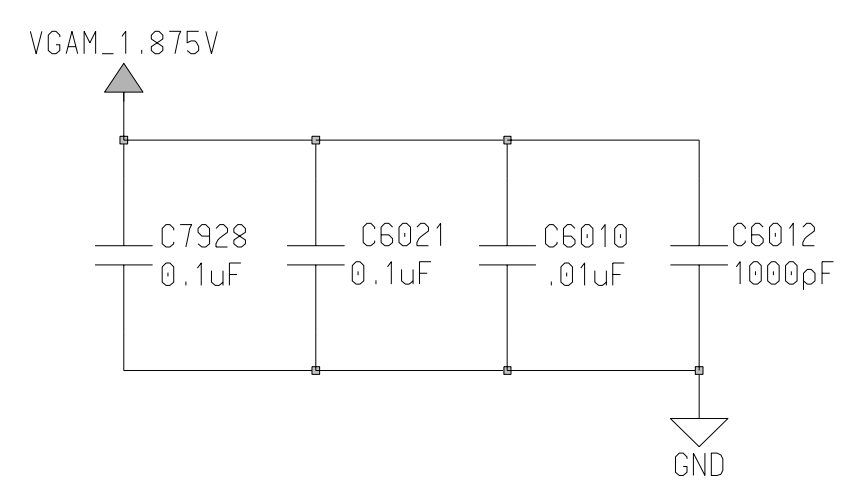
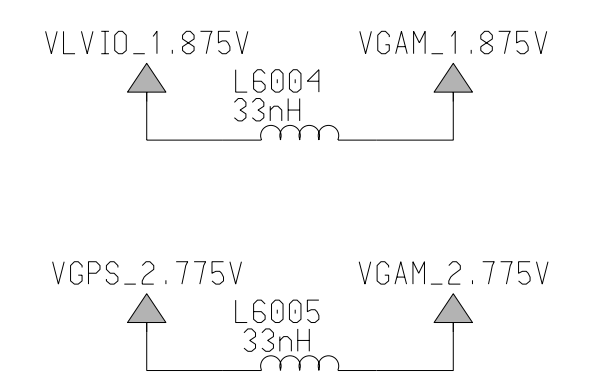
Accessory Connector CE Connector (0987636K06)



Engineer: Mark Melone			
Drawn by:			
R&D CHK:	TITLE: E1000	Size:	
DOC CTRL CHK:	CE Accessory Connector		
MFG CTRL CHK:	REV:	Drawing Number:	Page: Of:
QA CHK:			
Changed by: g15829	Date: Thursday, June 5, 2003	Time:	

Engineer:
Danny Ng
 Drawn by:
Danny Ng
 R&D CHK:
 DOC CTRL CHK:
 MFG CTRL CHK:
 QA CHK:

MOTOROLA INC.
 TITLE: GAM GPS BLOCK for E1000
 Size: 11x17
 REV: 0.2
 Drawing Number:
 Page: 1
 Of: 1
 Date: Wednesday, May 28, 2003
 Time: 4:59:04 pm



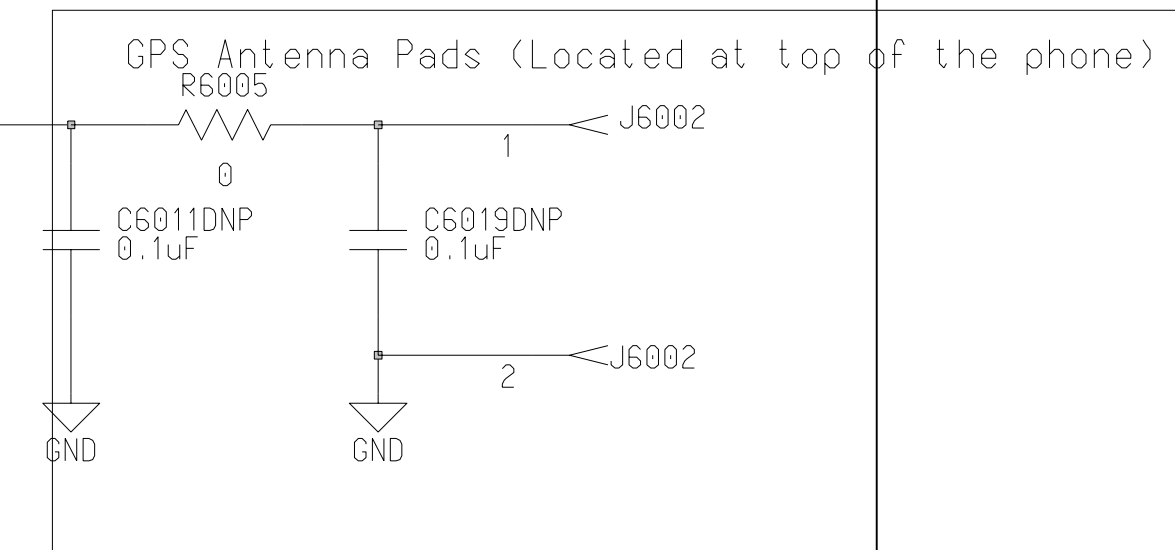
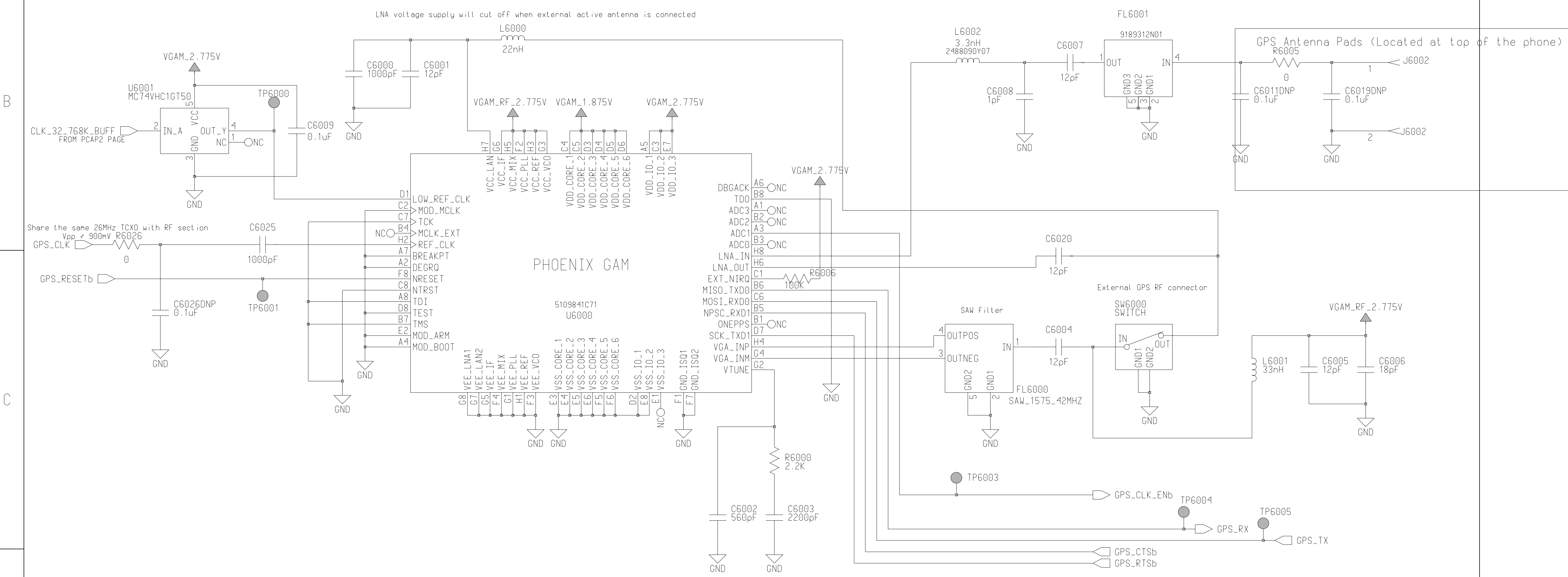
9185222E01 Replaced by 9189312N01 Saw

A

B

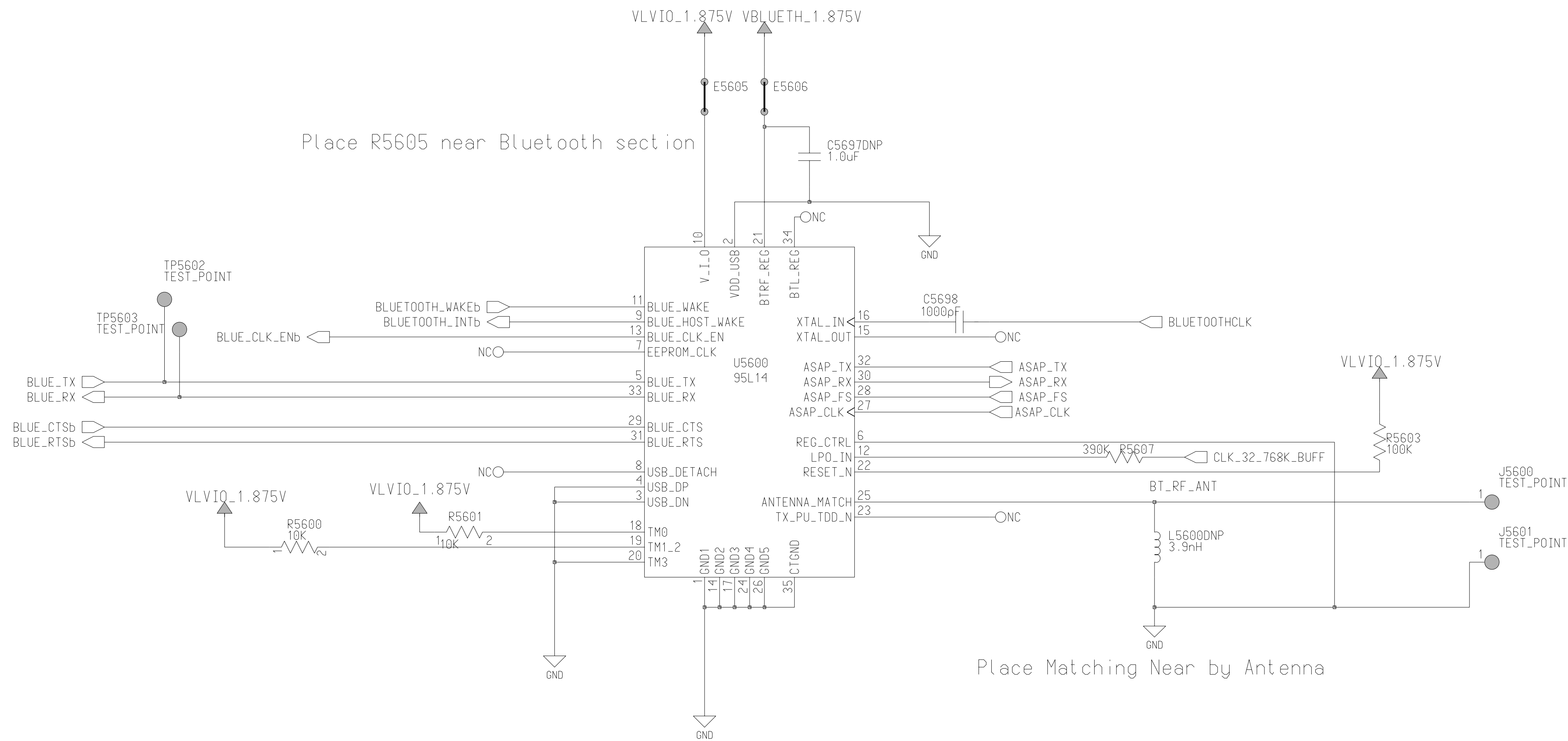
C

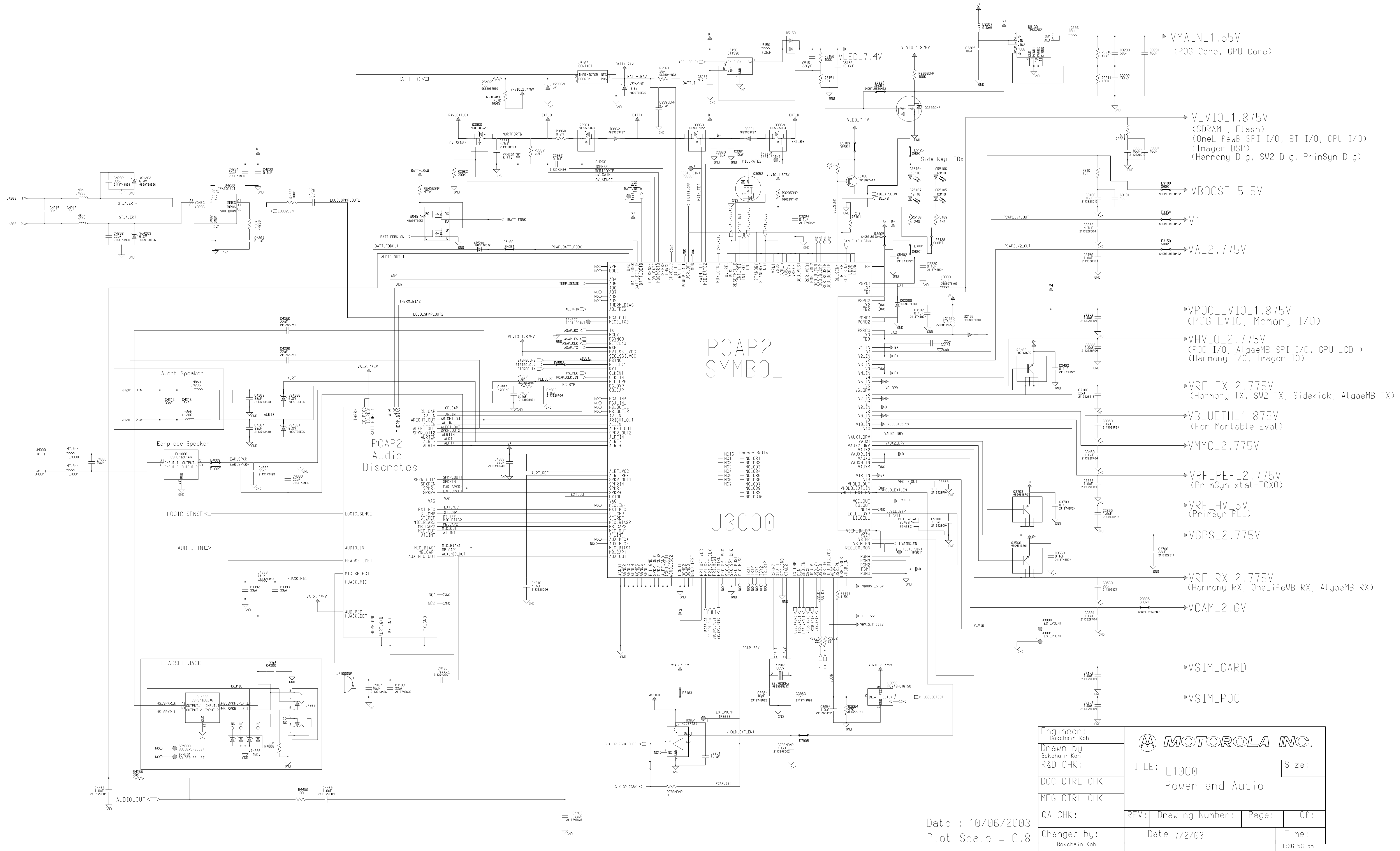
D



External GPS RF connector

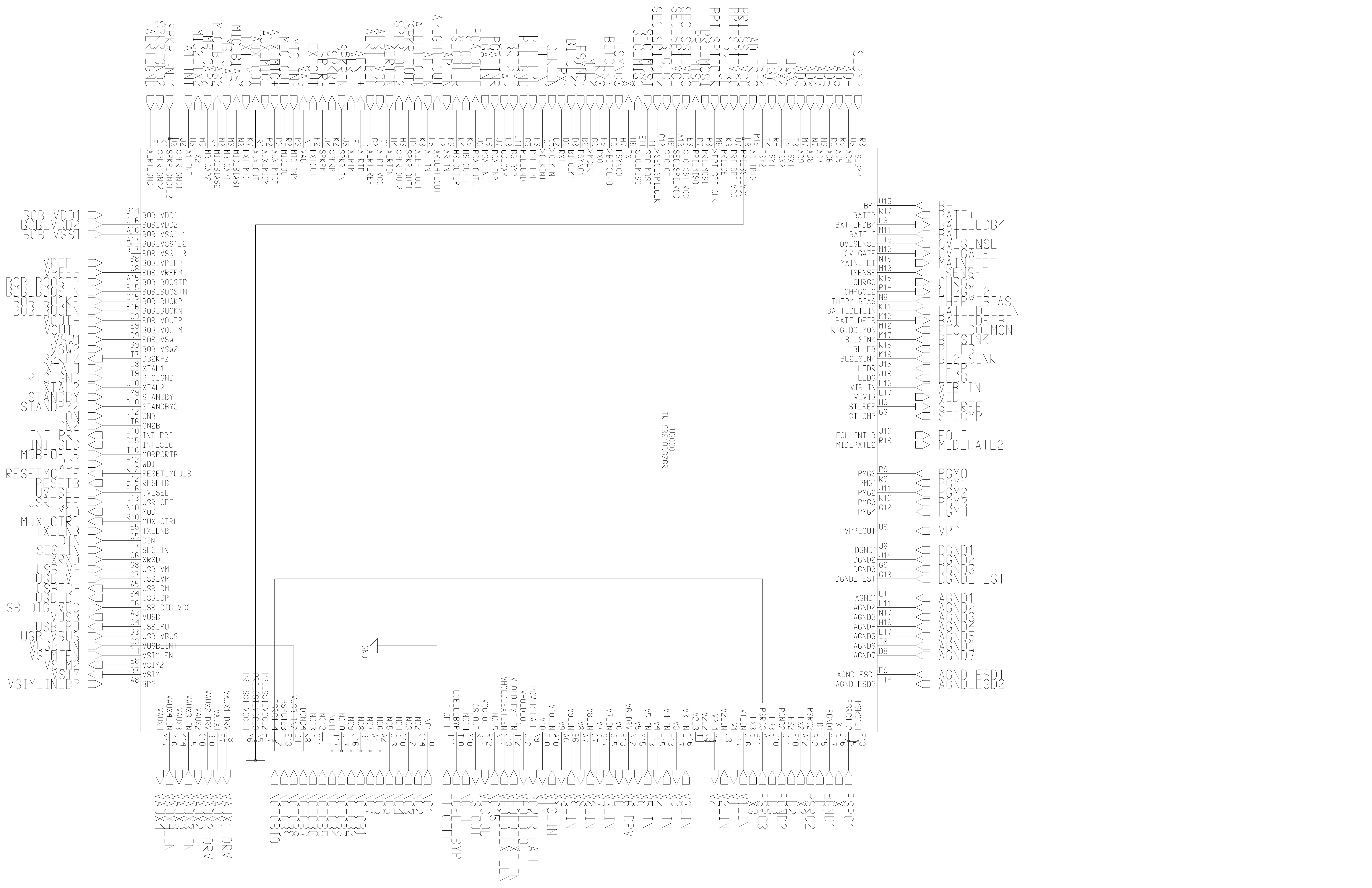
Engineer: Bokchain Koh	MOTOROLA INC.		
Drawn by:	TITLE: E1000 Bluetooth	Size:	
R&D CHK:	REV:	Drawing Number:	Page:
DOC CTRL CHK:	Of:		
MFG CTRL CHK:	Date: April 7, 2003		
QA CHK:	Time:		
Changed by: Song Zhang			





Date : 10/06/2003
Plot Scale = 0.8

Engineer: Bokchain Koh	MOTOROLA INC.		
Drawn by: Bokchain Koh			
R&D CHK:	TITLE: E1000	Size:	
DOC CTRL CHK:	Power and Audio		
MFG CTRL CHK:			
QA CHK:	REV: Drawing Number:	Page:	Of:
Changed by: Bokchain Koh	Date: 7/2/03		Time: 1:36:56 pm



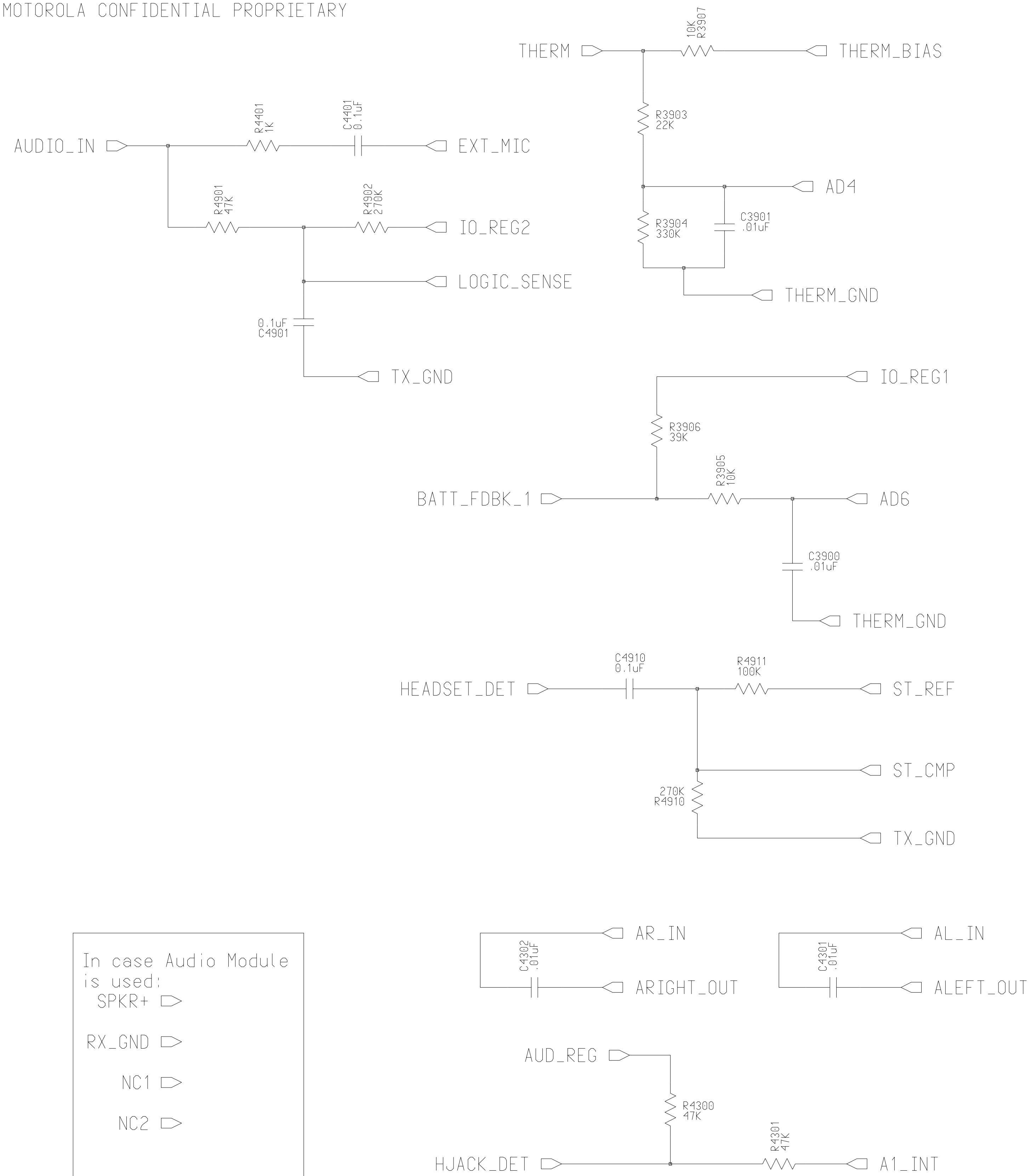
MOTOROLA CONFIDENTIAL PROPRIETARY

1

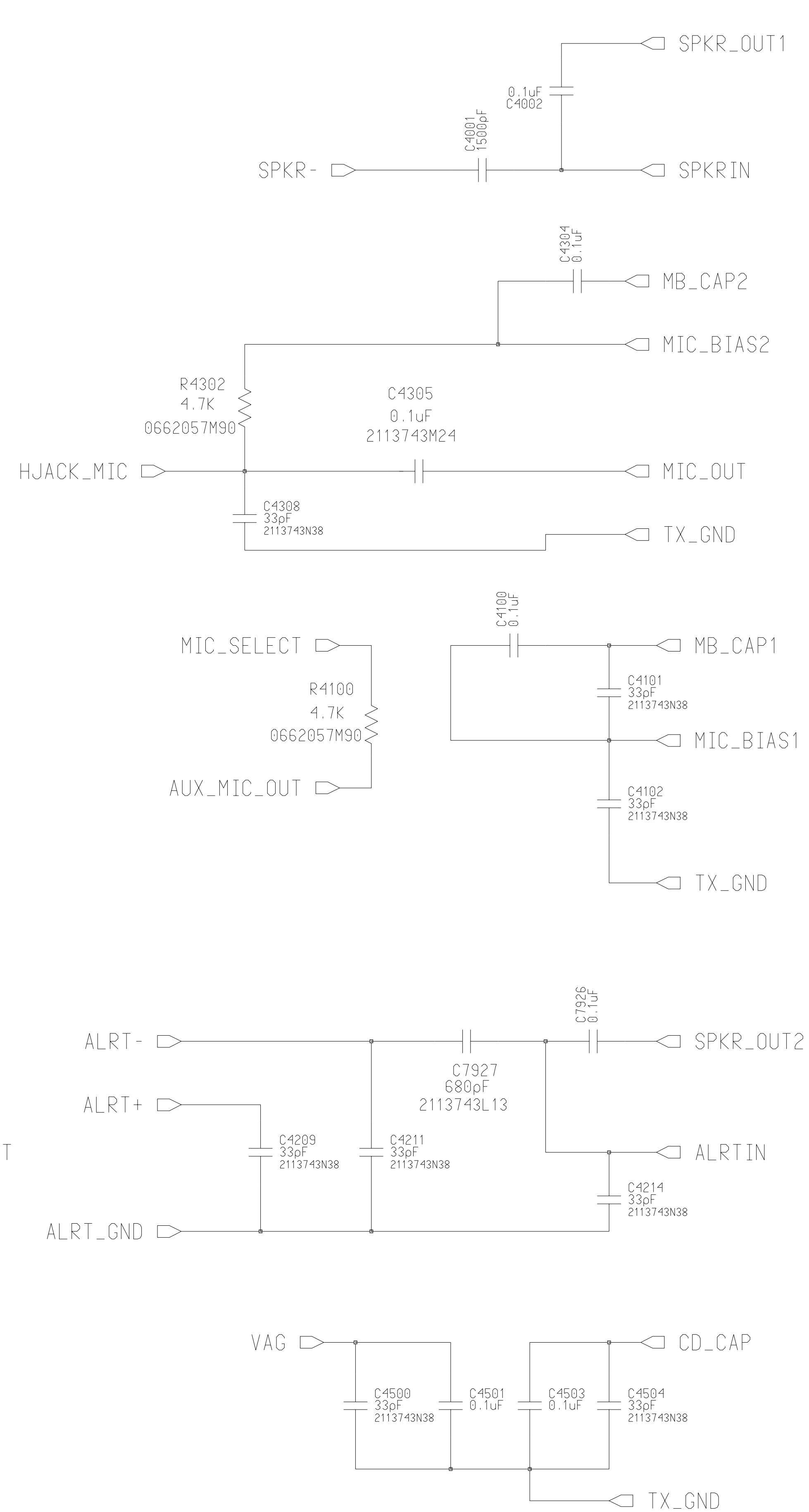
2

3

4



In case Audio Module is used:
 SPKR+ \rightarrow
 RX_GND \rightarrow
 NC1 \rightarrow
 NC2 \rightarrow



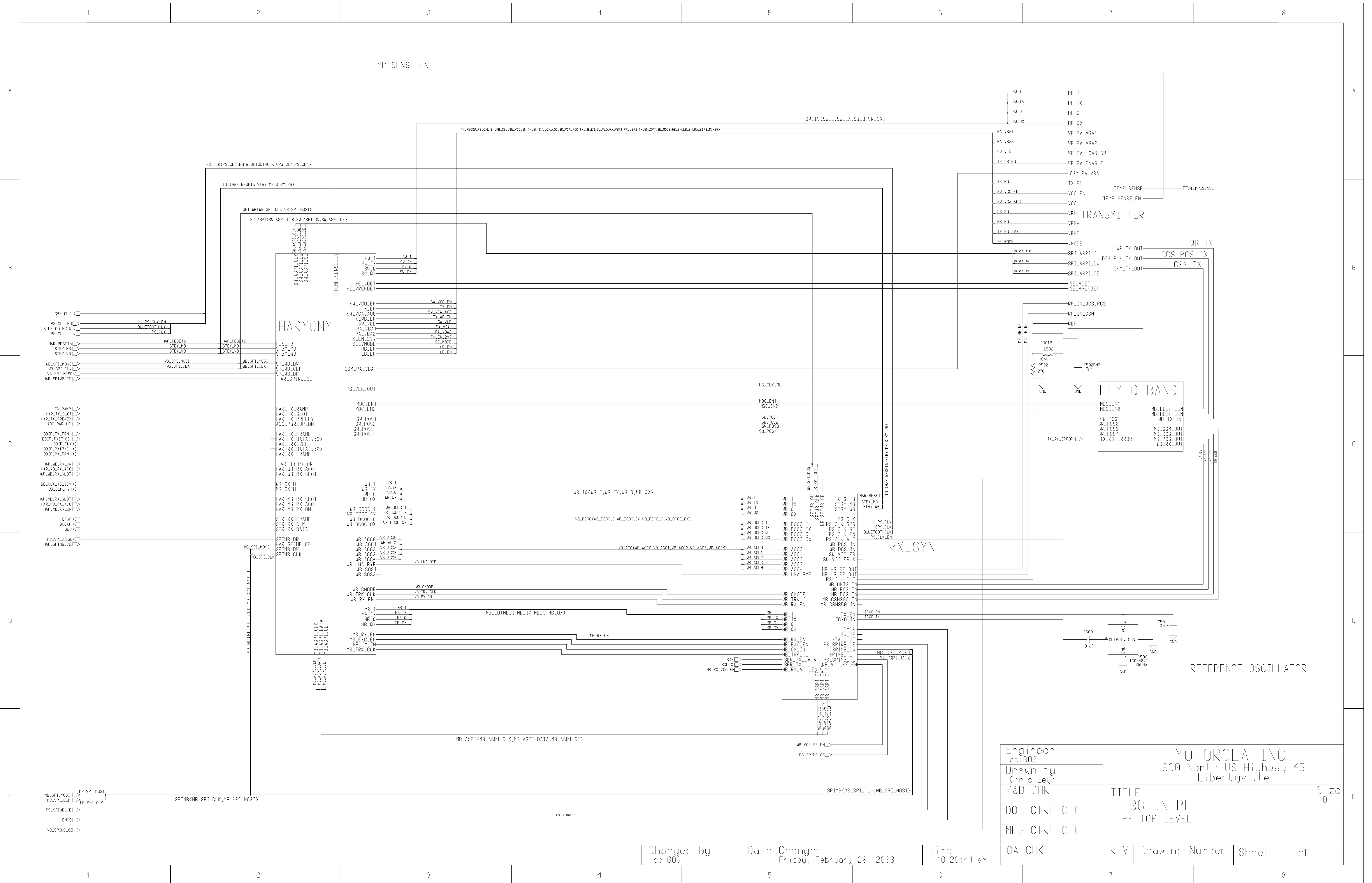
Engineer:	MOTOROLA INC.		
Drawn by:	TITLE: _____ Size: _____		
R&D CHK:	DOC CTRL CHK:		
MFG CTRL CHK:	QA CHK:		
Changed by:	REV: _____	Drawing Number: _____	Page: _____ Of: _____
	Date: _____	Time: _____	

A

B

C

D



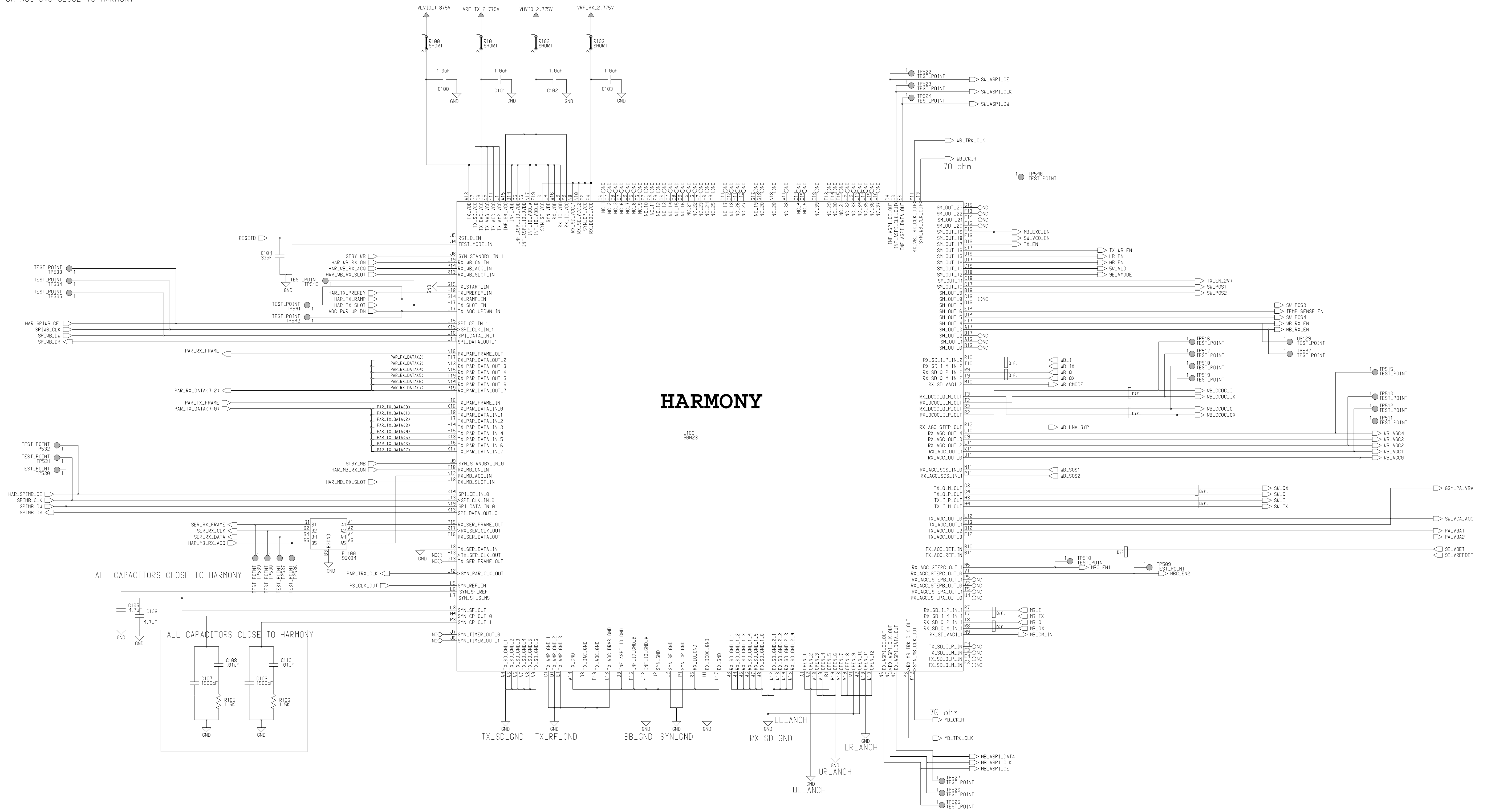
Engineer ccl003	MOTOROLA INC. 600 North US Highway 45 Libertyville		
Drawn by Chris Leyh	TITLE 3GFUN RF RF TOP LEVEL	Size D	
R&D CHK			
DOC CTRL CHK			
MFG CTRL CHK			
QA CHK	REV	Drawing Number	Sheet of

Changed by ccl003 Date Changed Friday, February 28, 2003 Time 10:20:44 am

TP placeholders for pins with NC

SYNTHESIS CAPACITORS CLOSE TO HARMONY

SUPPLIES INTERCONNECTIONS FAR FROM HARMONY

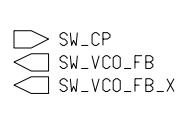


Engineer Chris Leyh	MOTOROLA INC. 600 North US Highway 45 Libertyville		
Drawn by ccl003			
R&D CHK	TITLE	Size D	
DOC CTRL CHK	HARMONY		
MFG CTRL CHK			
QA CHK	REV 1	Drawing Number	Sheet of

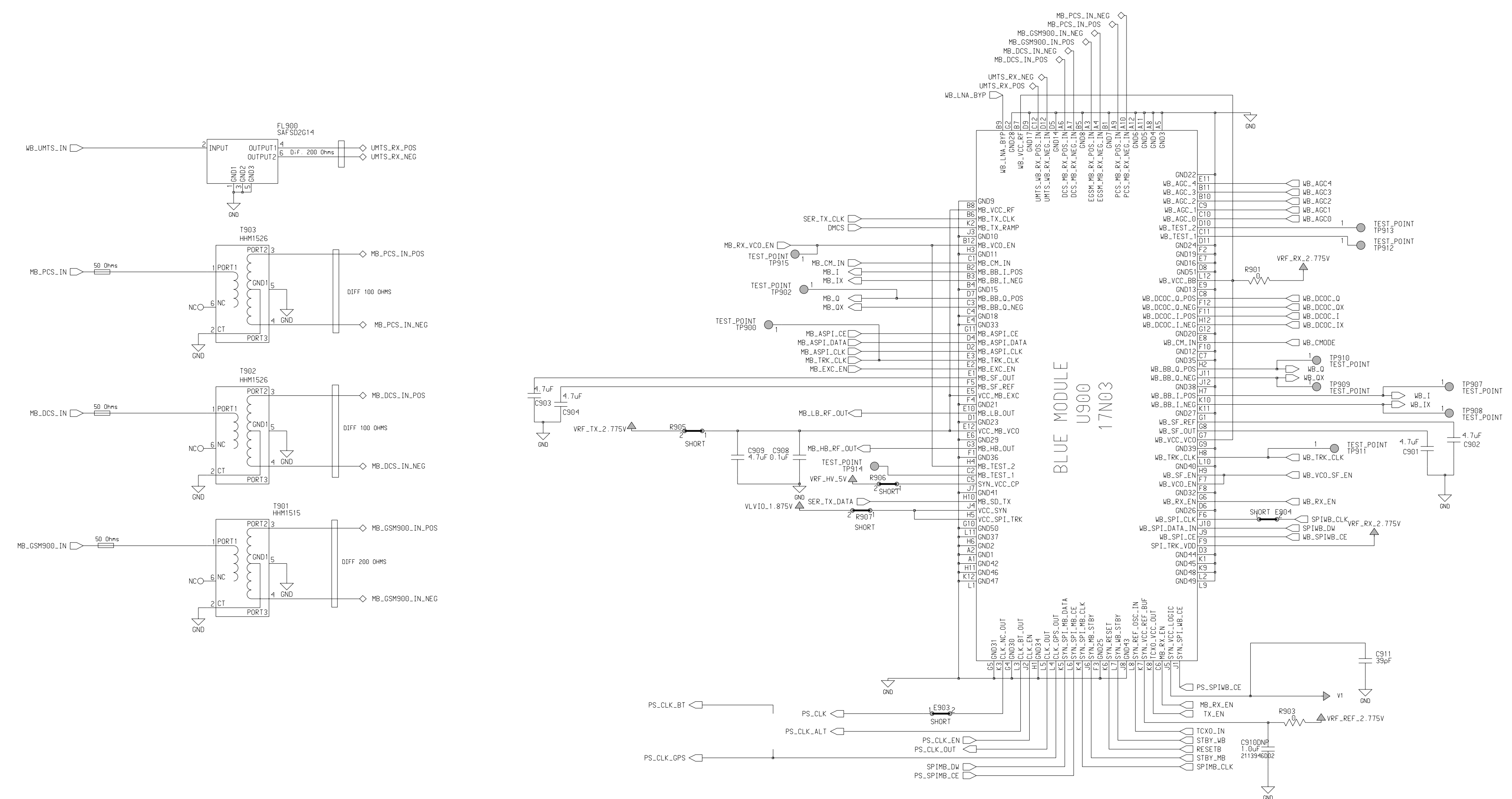
Changed by ccl003 7 Date Changed Thursday, April 17, 2003 Time 12:06:46 pm

ORG. Blue Module VERSION 2.0

DO NOT DELETE



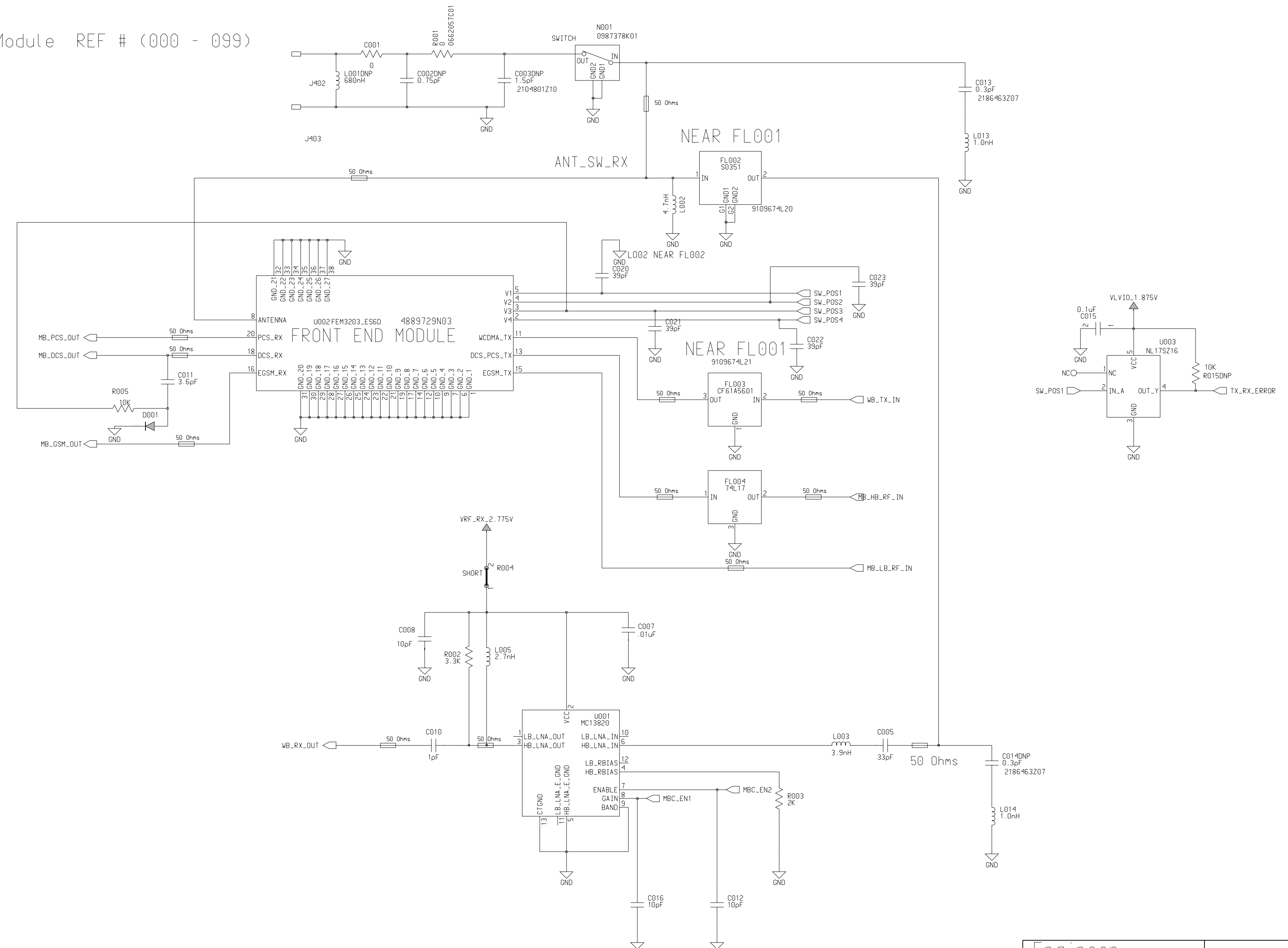
TPs for test_1 & test_2



Engineer Chris Leyh	COMPANY NAME Address City		
Drawn by Chris Leyh			
R&D CHK	TITLE	Size D	
DOC CTRL CHK	Rx/Syn		
MFG CTRL CHK			
QA CHK	REV 1.0	Drawing Number	Sheet of

Changed by ccl003 Date Changed Thursday, April 10, 2003 Time 9:50:27 am

Front End Module REF # (000 - 099)

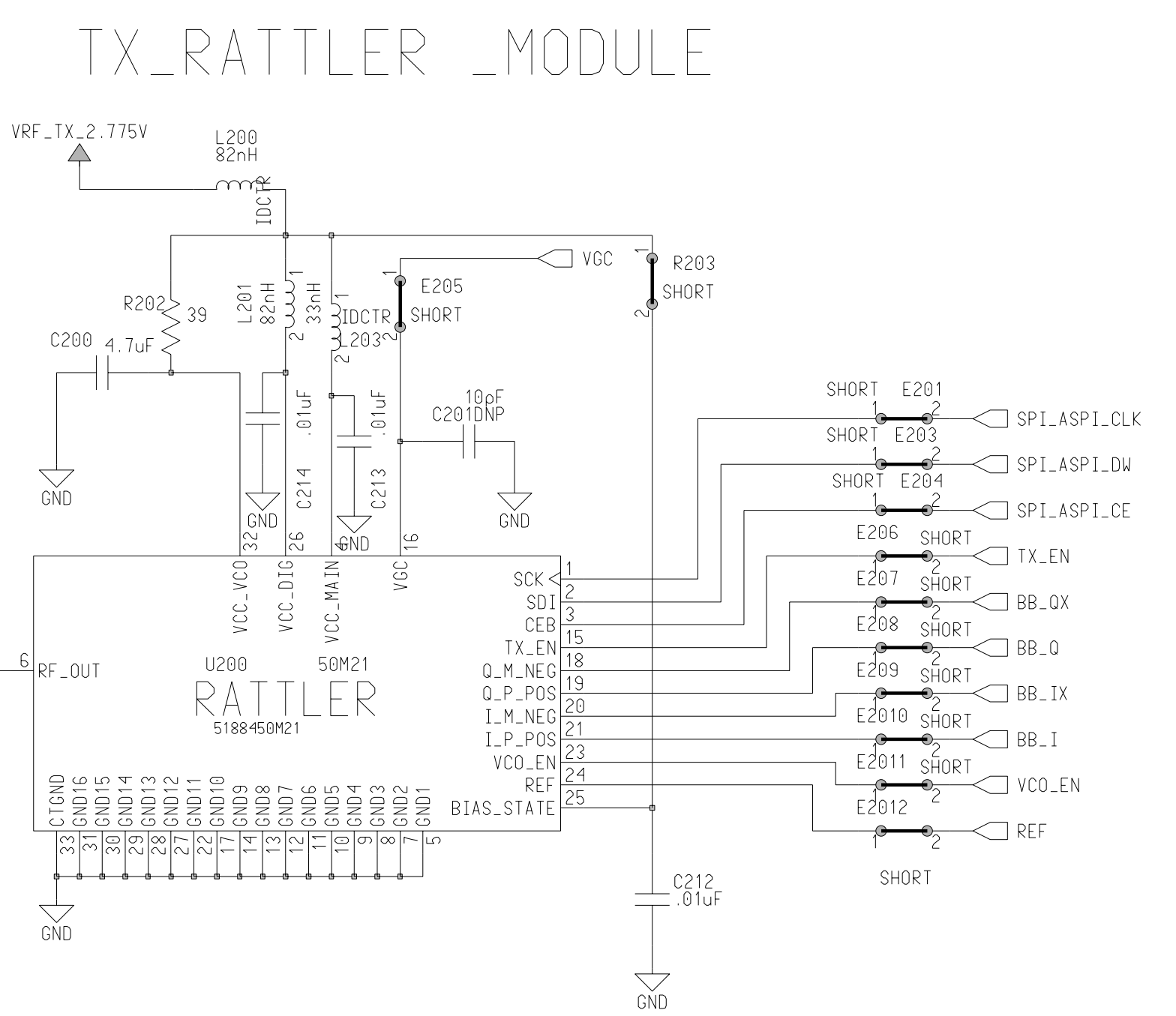
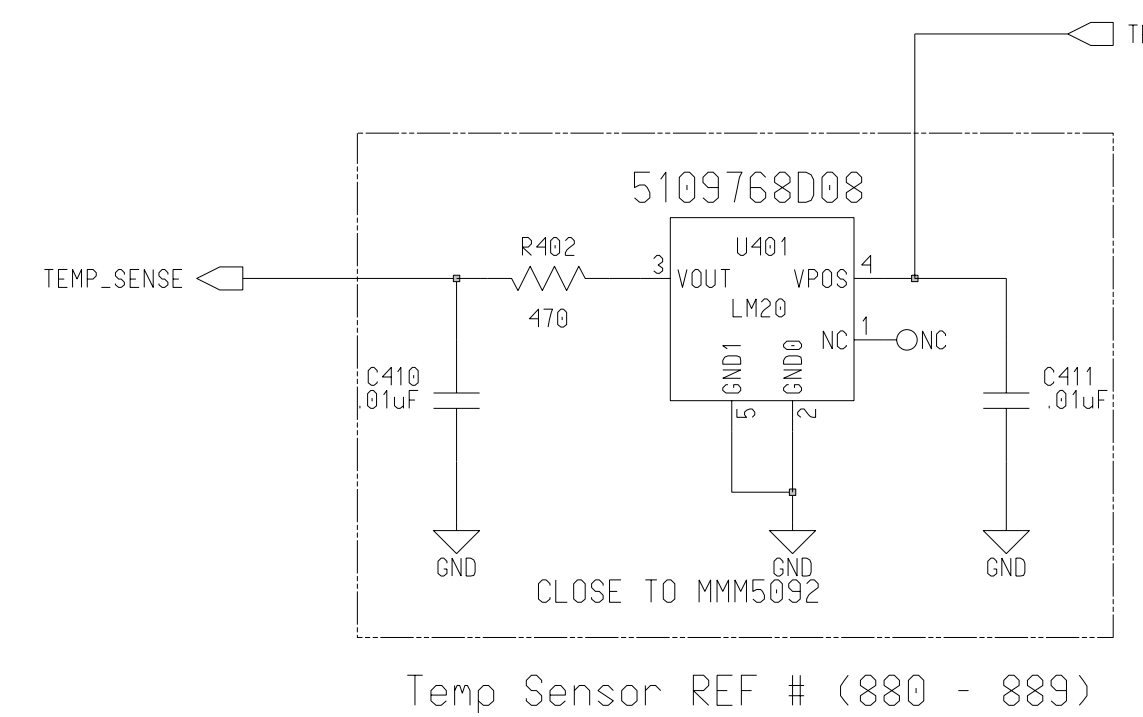
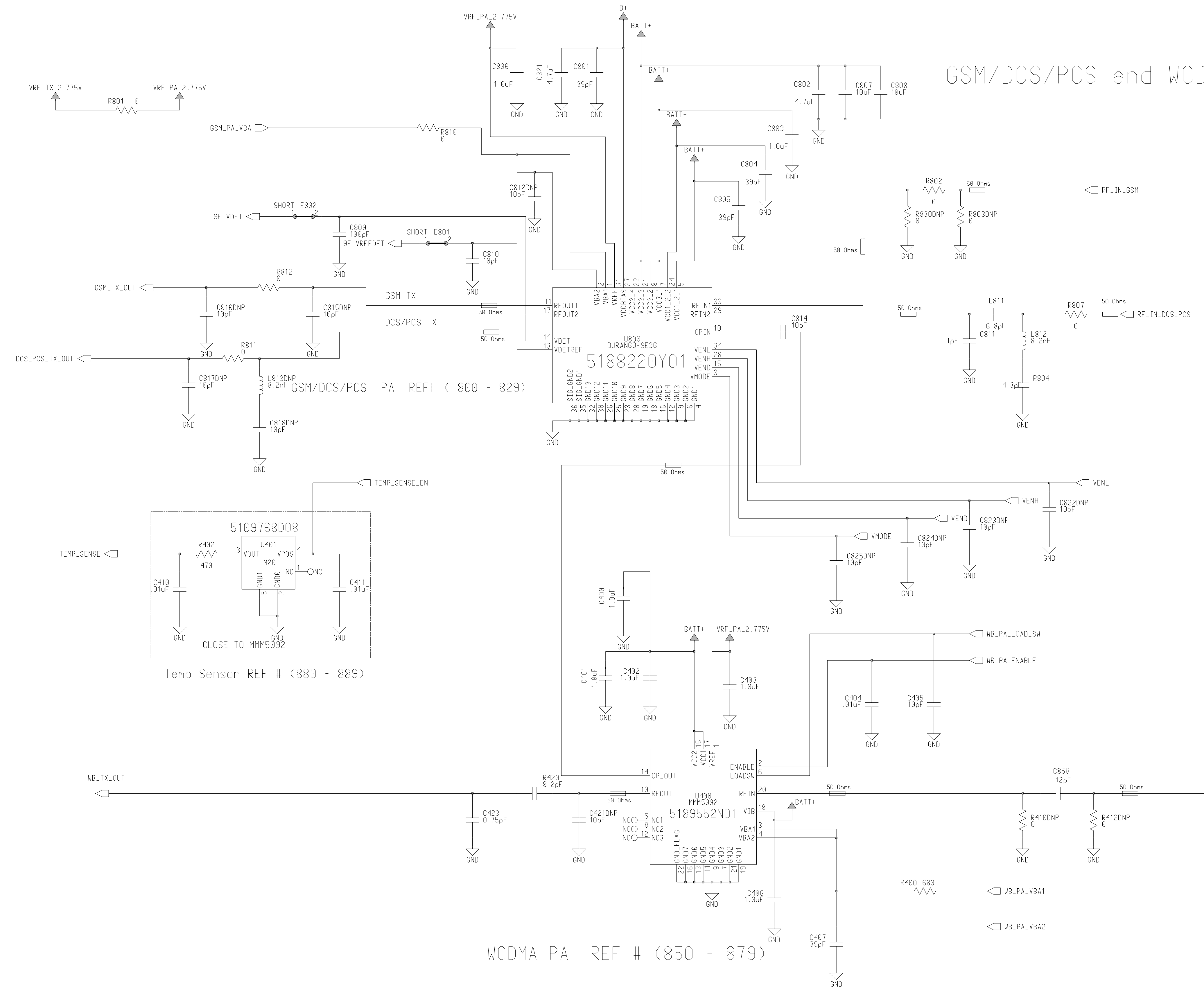


Engineer Chris Leyh	MOTOROLA INC. 600 North US Highway 45 Libertyville		
Drawn by ccl003			
R&D CHK	TITLE	Size D	
DOC CTRL CHK	Quad Band Front End Module		
MFG CTRL CHK	REV 1	Drawing Number	Sheet of

Changed by ccl003 Date Changed Thursday, April 17, 2003 Time 8:25:56 am

QA CHK REV 1 Drawing Number Sheet of

GSM/DCS/PCS and WCDMA Transmitters



WCDMA PA REF # (850 - 879)

Engineer	MOTOROLA INC. 600 North US Highway 45 Libertyville		
Drawn by	TITLE		
R&D CHK	TRANSITTER		Size
DOC CTRL CHK	REV		
MFG CTRL CHK	Drawing Number		
QA CHK	Sheet		of

Changed by: wlpn11
Date Changed: Thursday, April 24, 2003 1:46:09 pm
Time

A
B
C
D
E

A
B
C
D
E