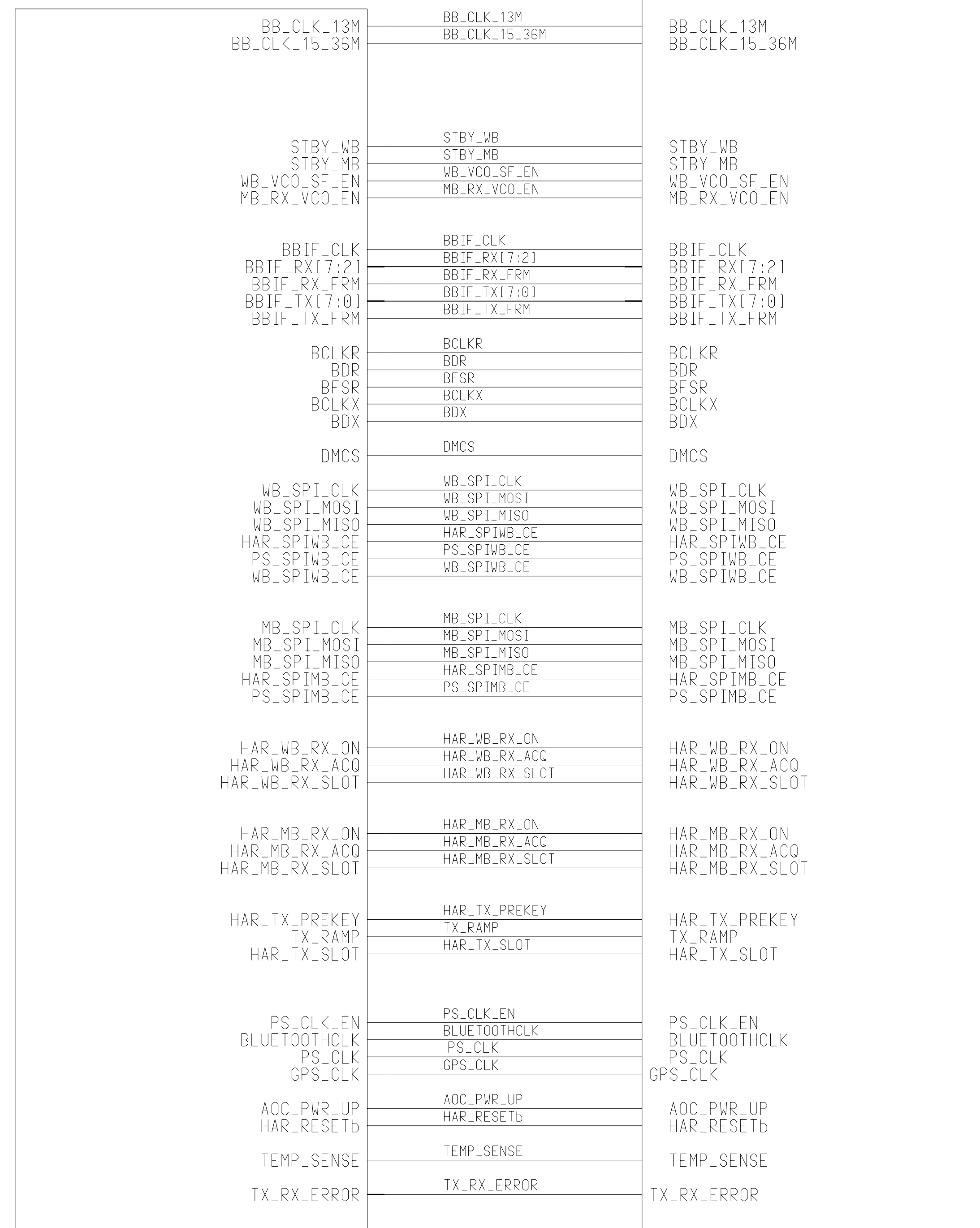


Engineer: Ed Naddeo	TITLE: ELK (E1000)			Size: 11x17
Drawn by: Ed Naddeo	Top Level			
R&D CHK:	REV:	Drawing Number: 8489659N01	Page:	OF:
DOC CTRL CHK:				
MFG CTRL CHK:				
QA CHK:	Date: September 17, 2003			Time: 10:43:18 am

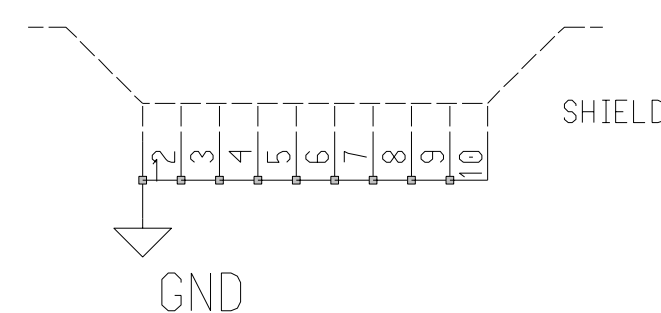
Baseband

RF



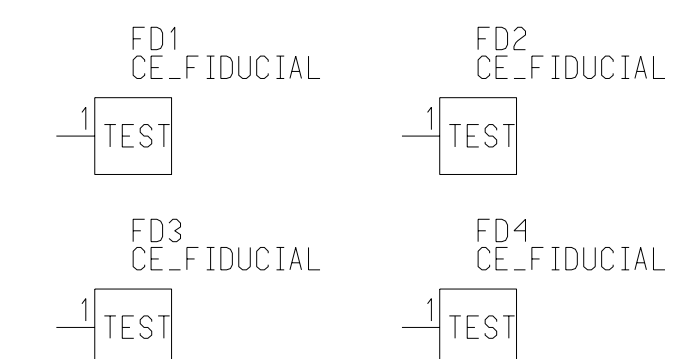
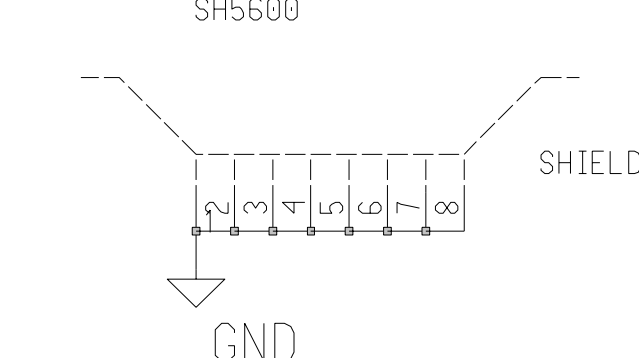
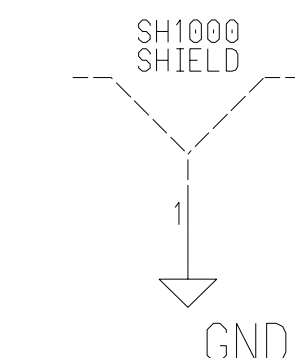
Megapixel Imager Shield

WCDMA PA Shield
SH400



POG Shield
SH1000

Bluetooth Shield
SH5600

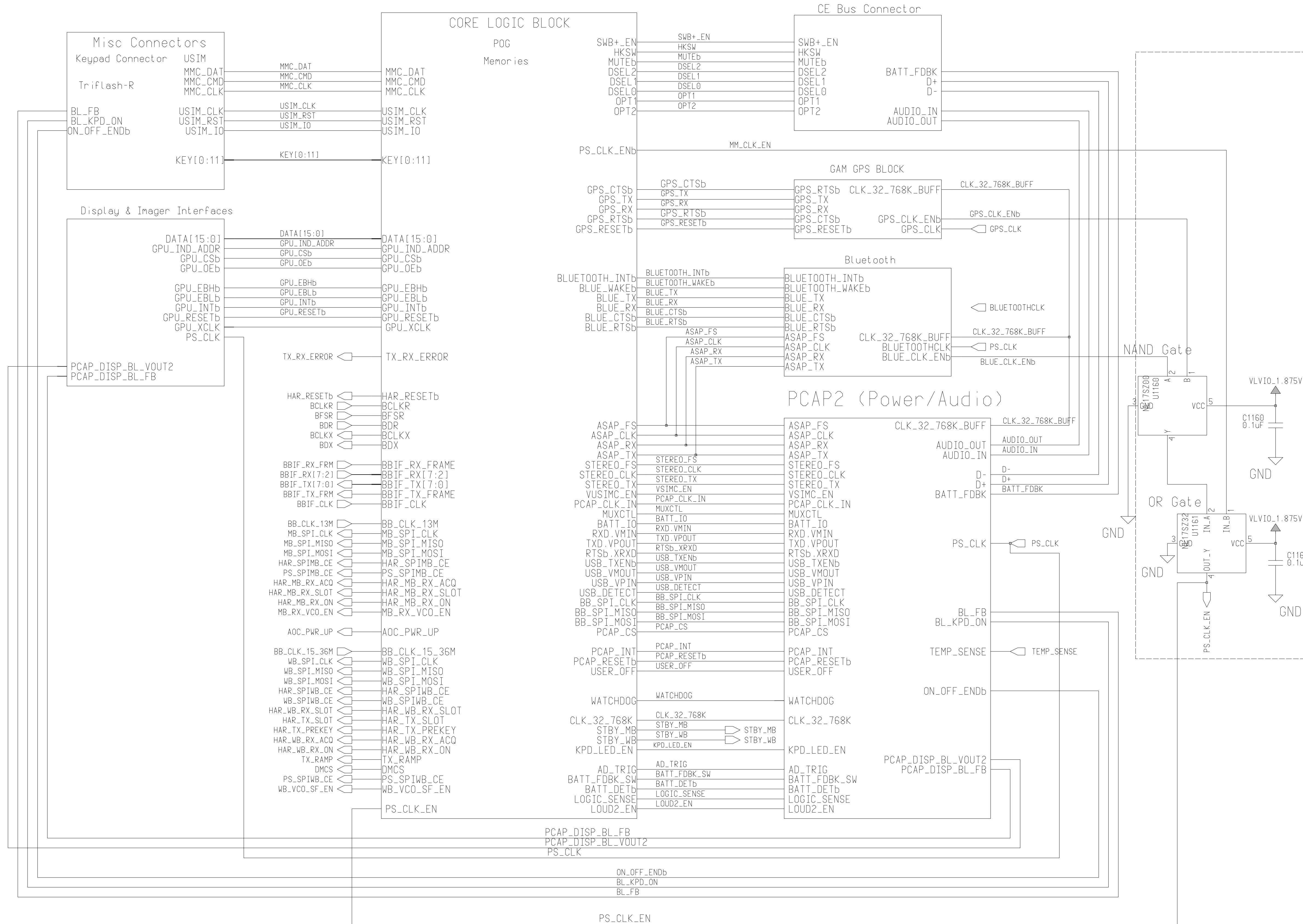


A

B

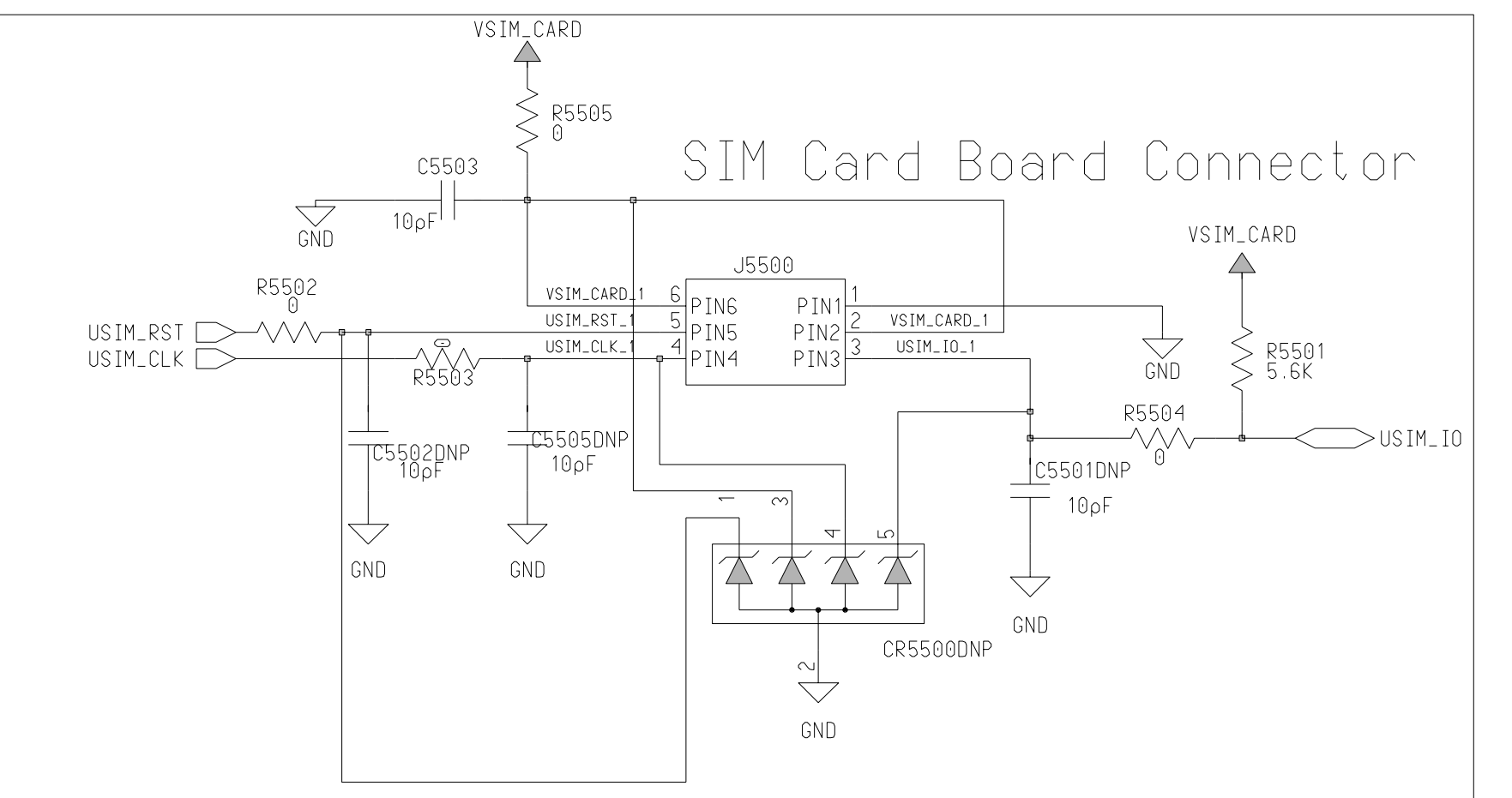
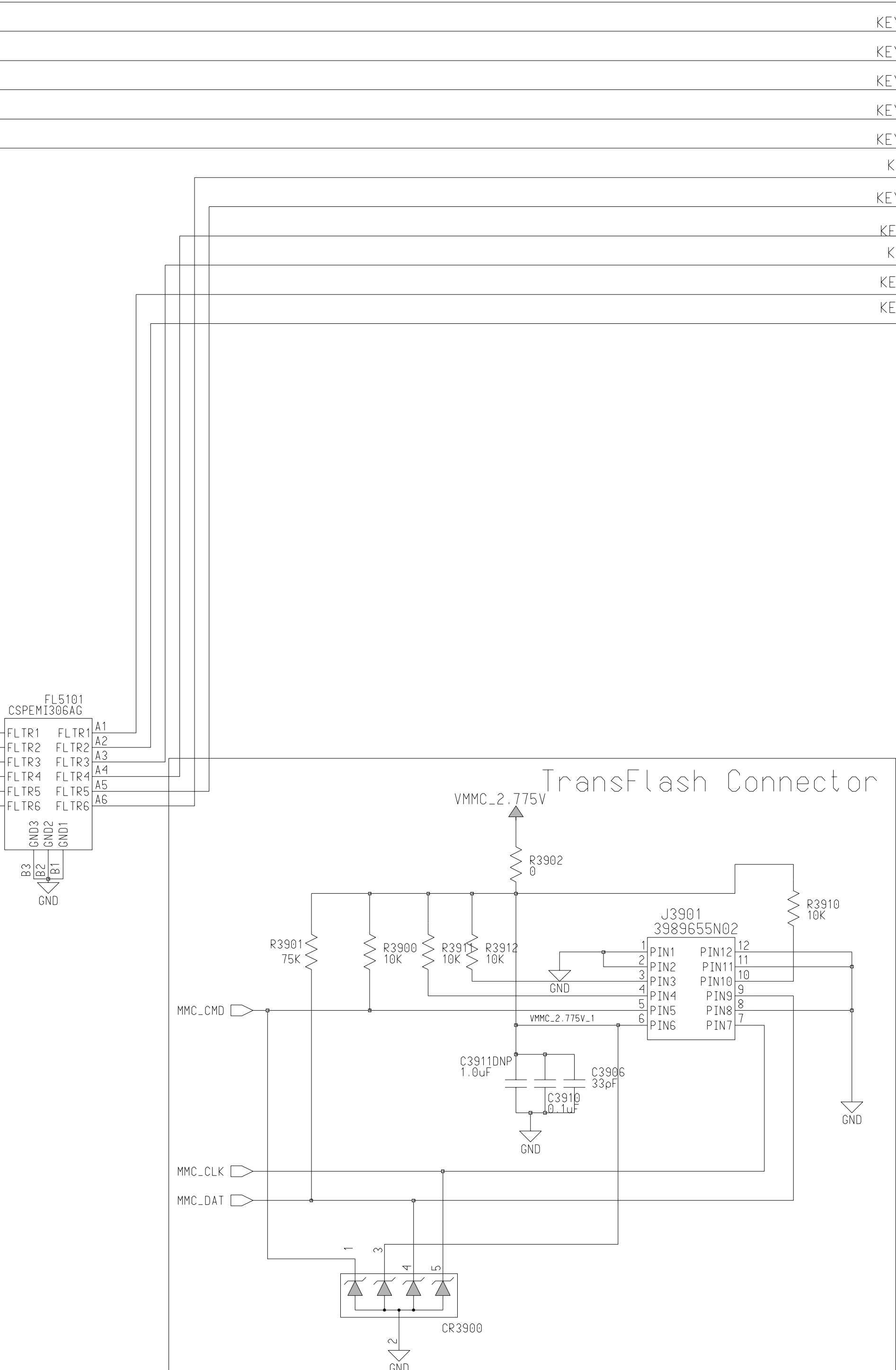
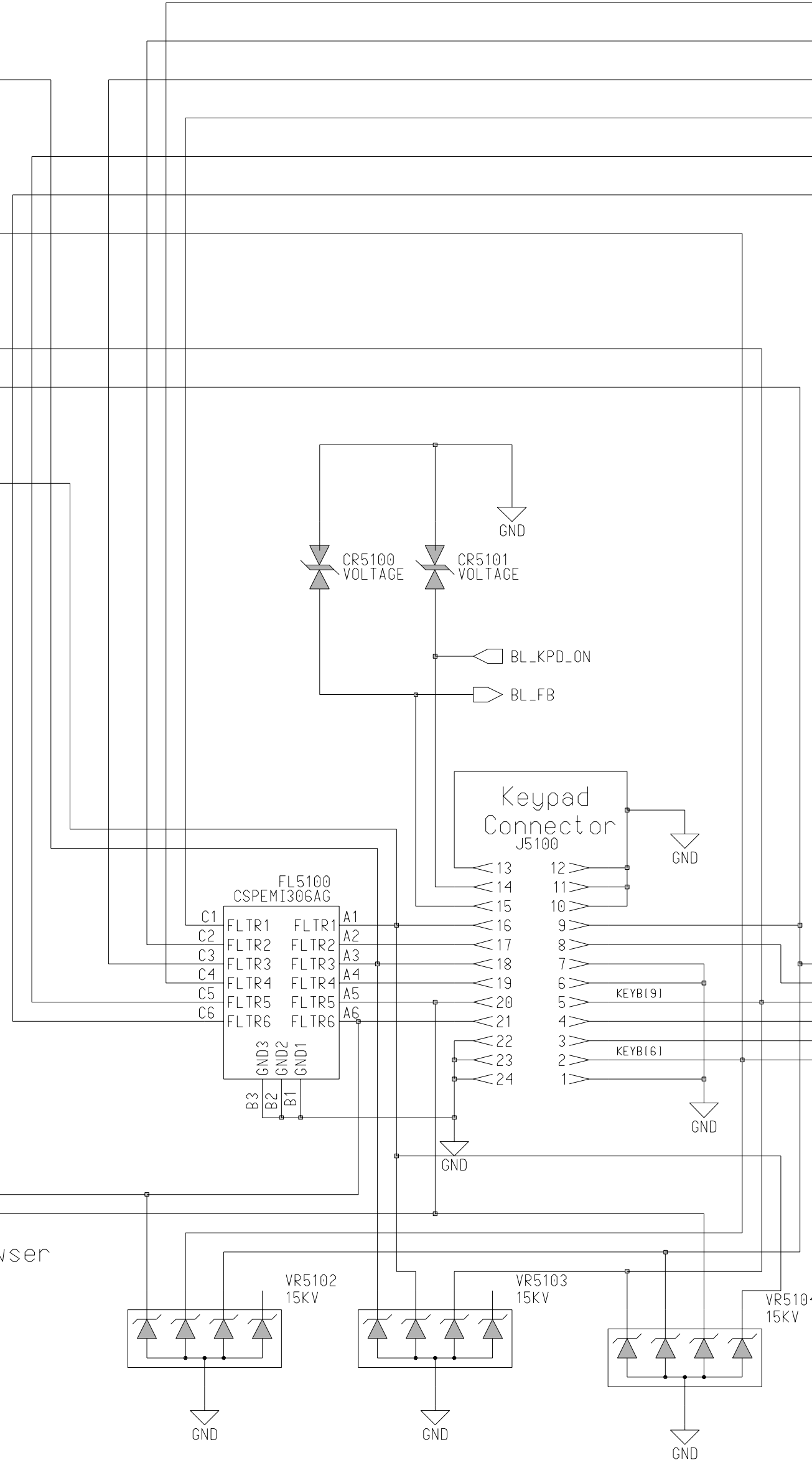
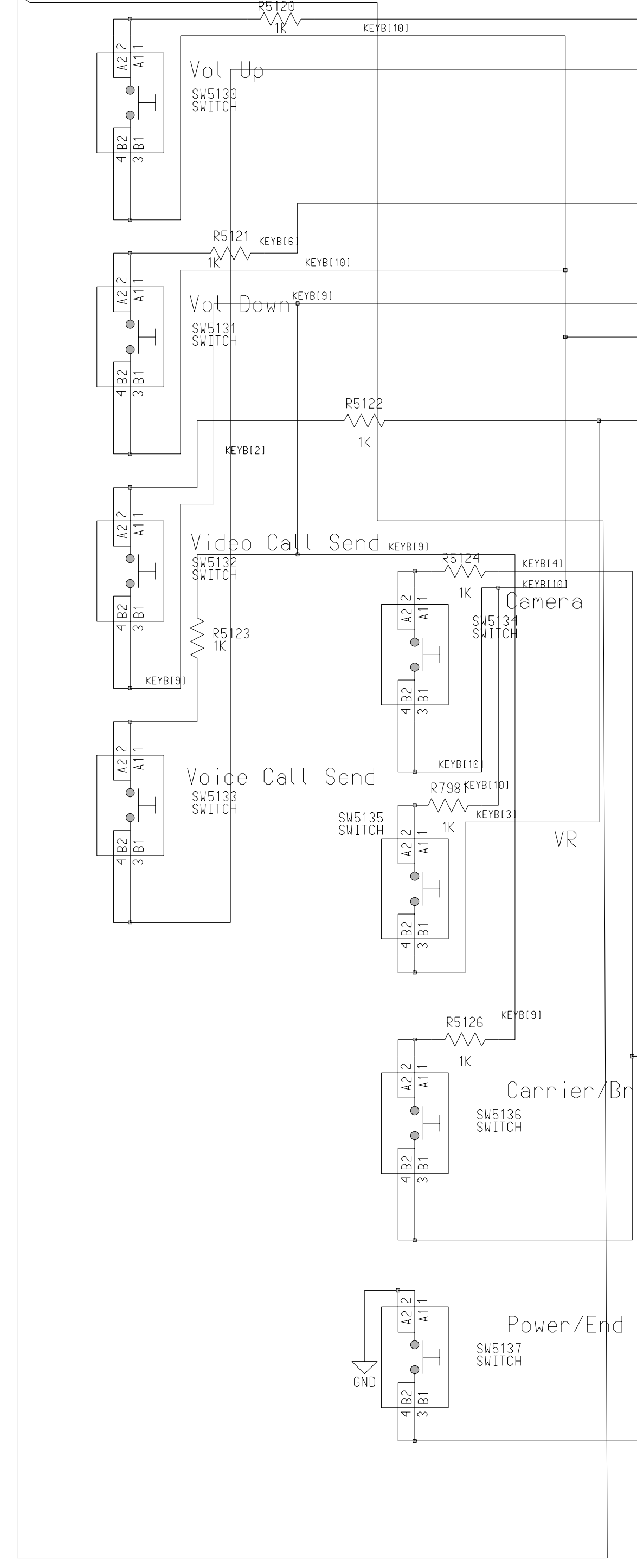
C

D



Engineer: Rajesh Verma	TITLE: E1000			Size: 11x21
Drawn by: Rajesh Verma	Misc Connectors			
R&D CHK:	REV: 1	Drawing Number:	Page:	Of:
DOC CTRL CHK:				
MFG CTRL CHK:				
QA CHK:				
Changed by: Rajesh Verma	Date: Tuesday, November 4, 2003		Time: 11:27:59 am	

Side Keys



- KEY[0] 0
- KEY[1] 1
- KEY[2] 2
- KEY[3] 3
- KEY[4] 4
- KEY[5] 5
- KEY[6] 6
- KEY[7] 7
- KEY[8] 8
- KEY[9] 9
- KEY[10] 10
- KEY[11] 11

A
B
C
D

REVISIONS				
ZONE	REV	DESCRIPTION	DATE	APPROVED

D

D

C

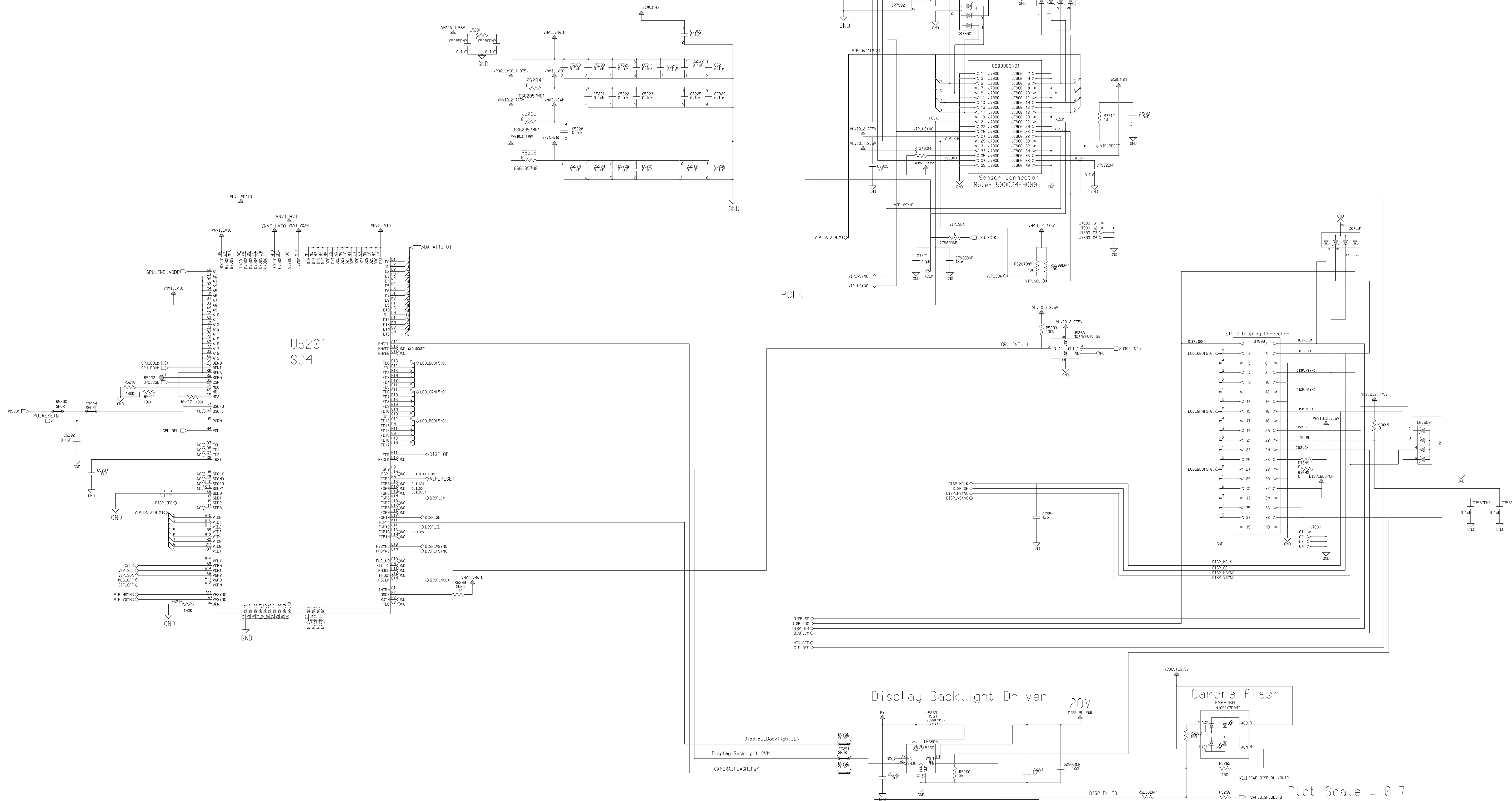
C

B

B

A

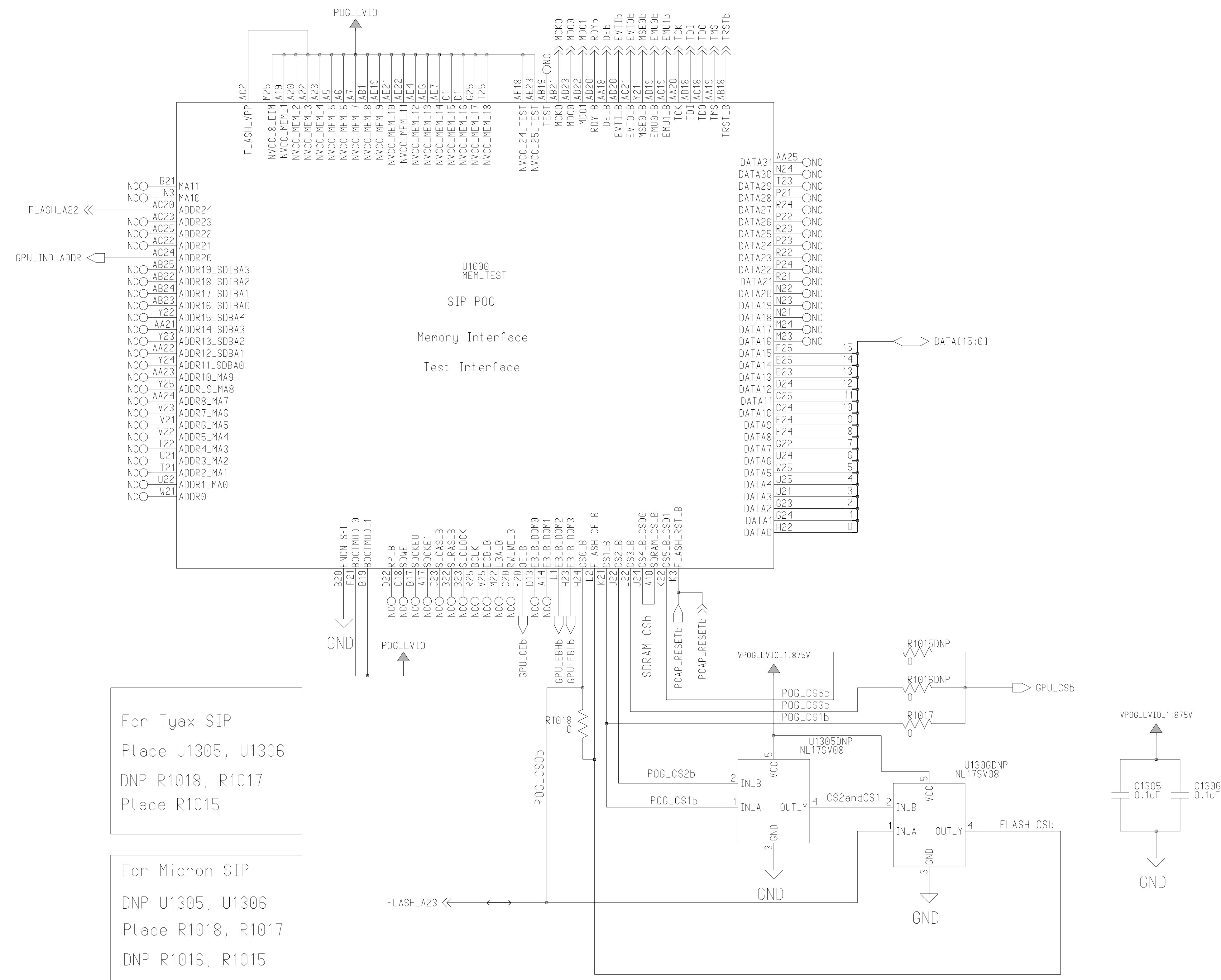
A



Plot Scale = 0.7

Engineer: Bokchain Koh			
Drawn by: Bokchain Koh			
R&D CHK:	TITLE: E1000	Size:	
DOC CTRL CHK:	Video & Graphics		
MFG CTRL CHK:	REV: Drawing Number:	Page:	Of:
QA CHK:	Date: 7/2/03	Time:	
Changed by: Chris Pipe /Ahmed			1:36:56 pm

Engineer:			
Drawn by:			
R&D CHK:	TITLE:	Size:	
DOC CTRL CHK:			
MFG CTRL CHK:			
QA CHK:	REV:	Drawing Number:	Page: Of:
Changed by:	Date:	Time:	



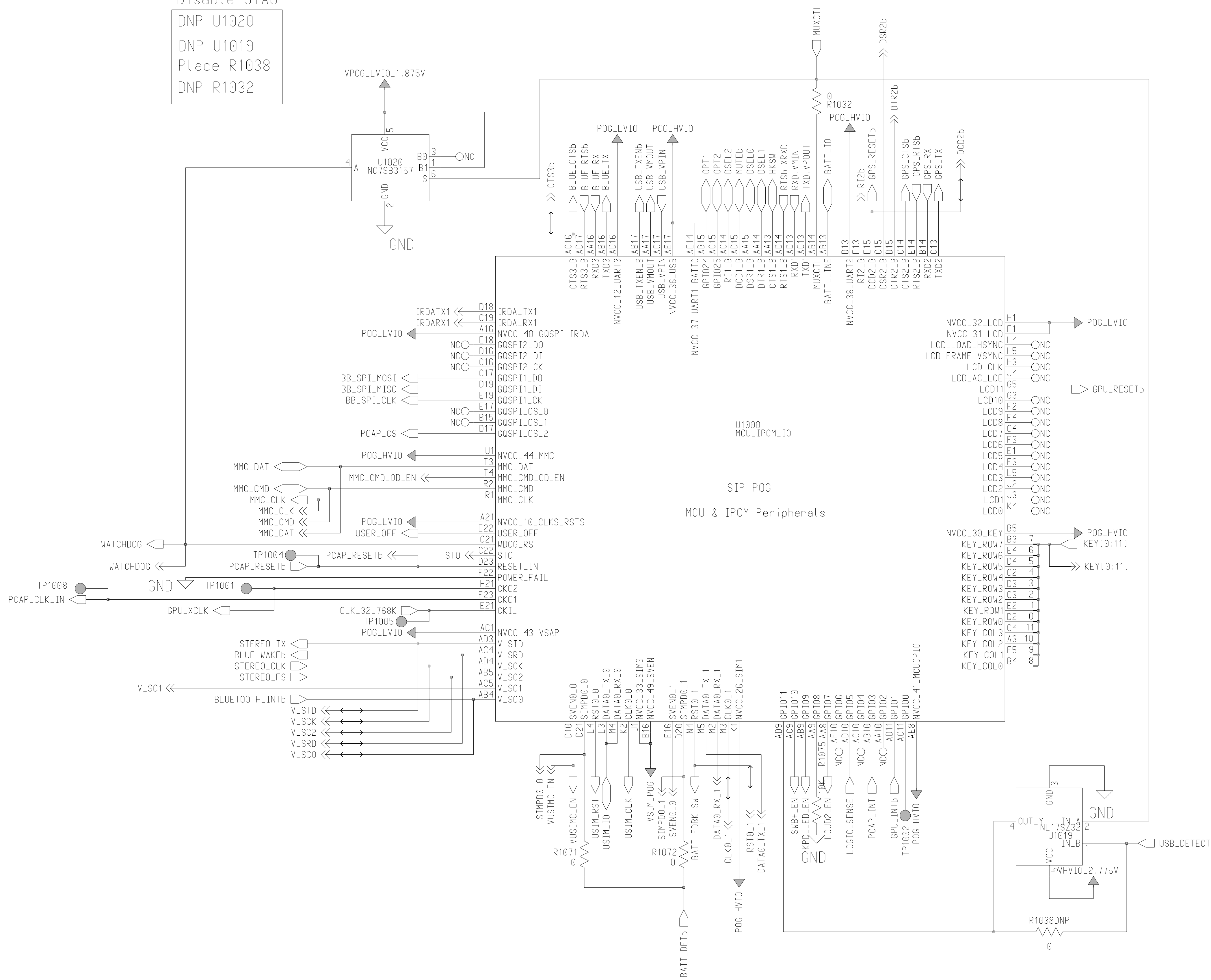
A

B

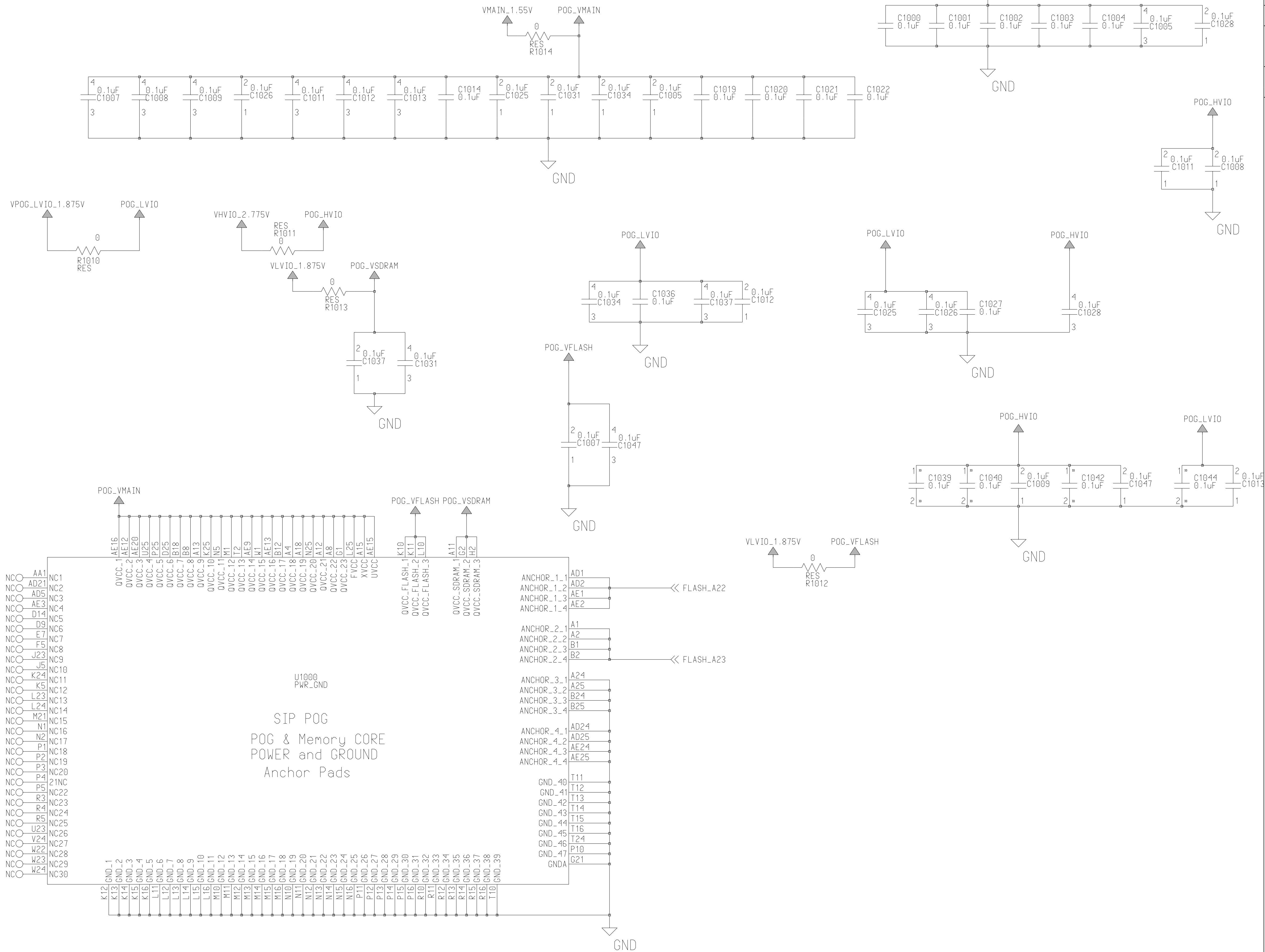
C

D

Disable JTAG
 DNP U1020
 DNP U1019
 Place R1038
 DNP R1032



Engineer:	MOTOROLA INC.		
Drawn by:			
R&D CHK:	TITLE:	Size:	
DOC CTRL CHK:			
MFG CTRL CHK:			
QA CHK:	REV:	Drawing Number:	Page: Of:
Changed by:	Date:	Time:	



Engineer:	MOTOROLA INC.		
Drawn by:	TITLE:		
R&D CHK:	REV:		Size:
DOC CTRL CHK:	Drawing Number:		Page:
MFG CTRL CHK:	Date:		Of:
QA CHK:	Time:		

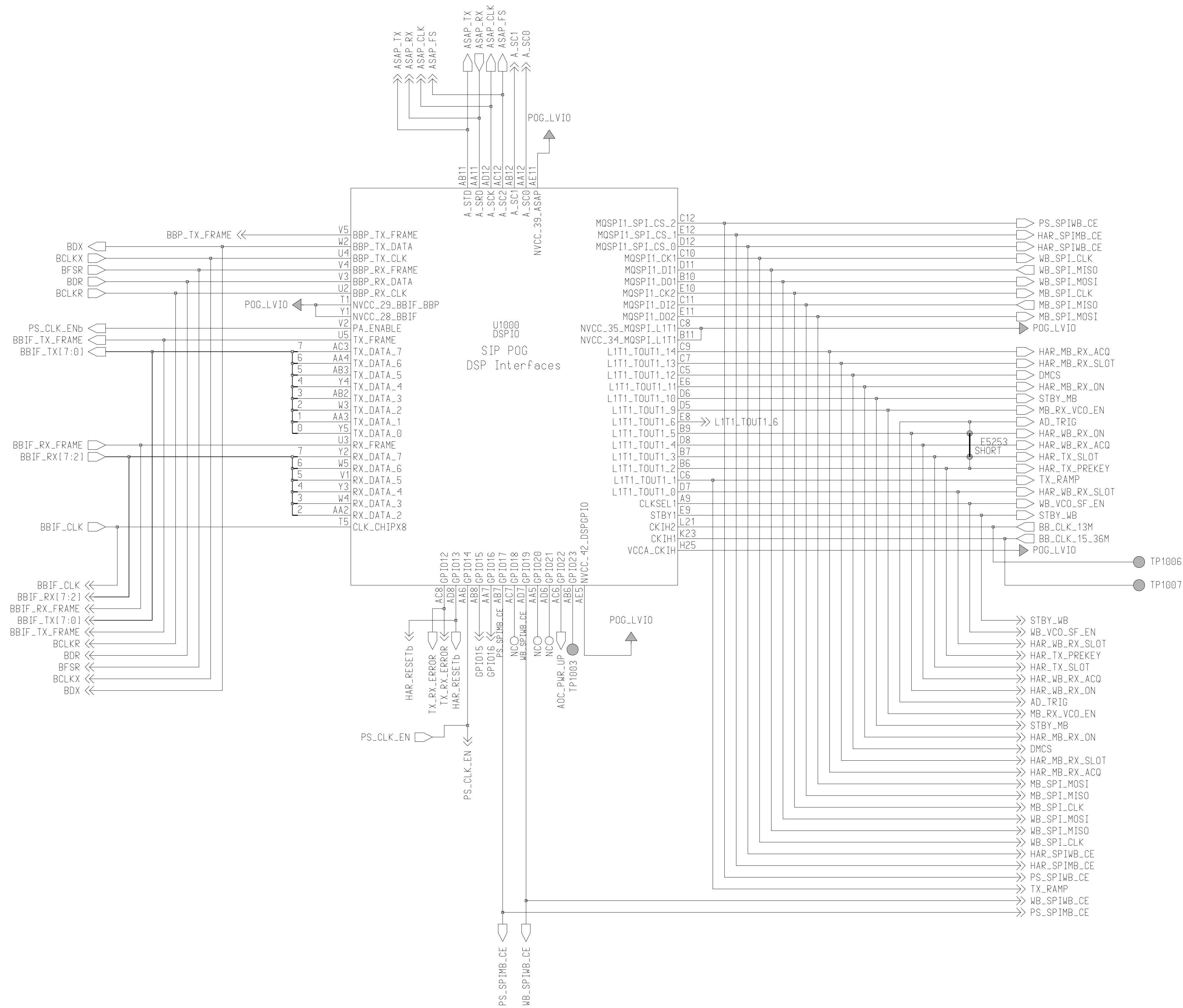
Changed by:	Date:		Time:
-------------	-------	--	-------

1

2

3

4



Engineer:				
Drawn by:				
R&D CHK:	TITLE:			Size:
DOC CTRL CHK:				
MFG CTRL CHK:				
QA CHK:	REV:	Drawing Number:	Page:	Of:
Changed by:	Date:		Time:	

A

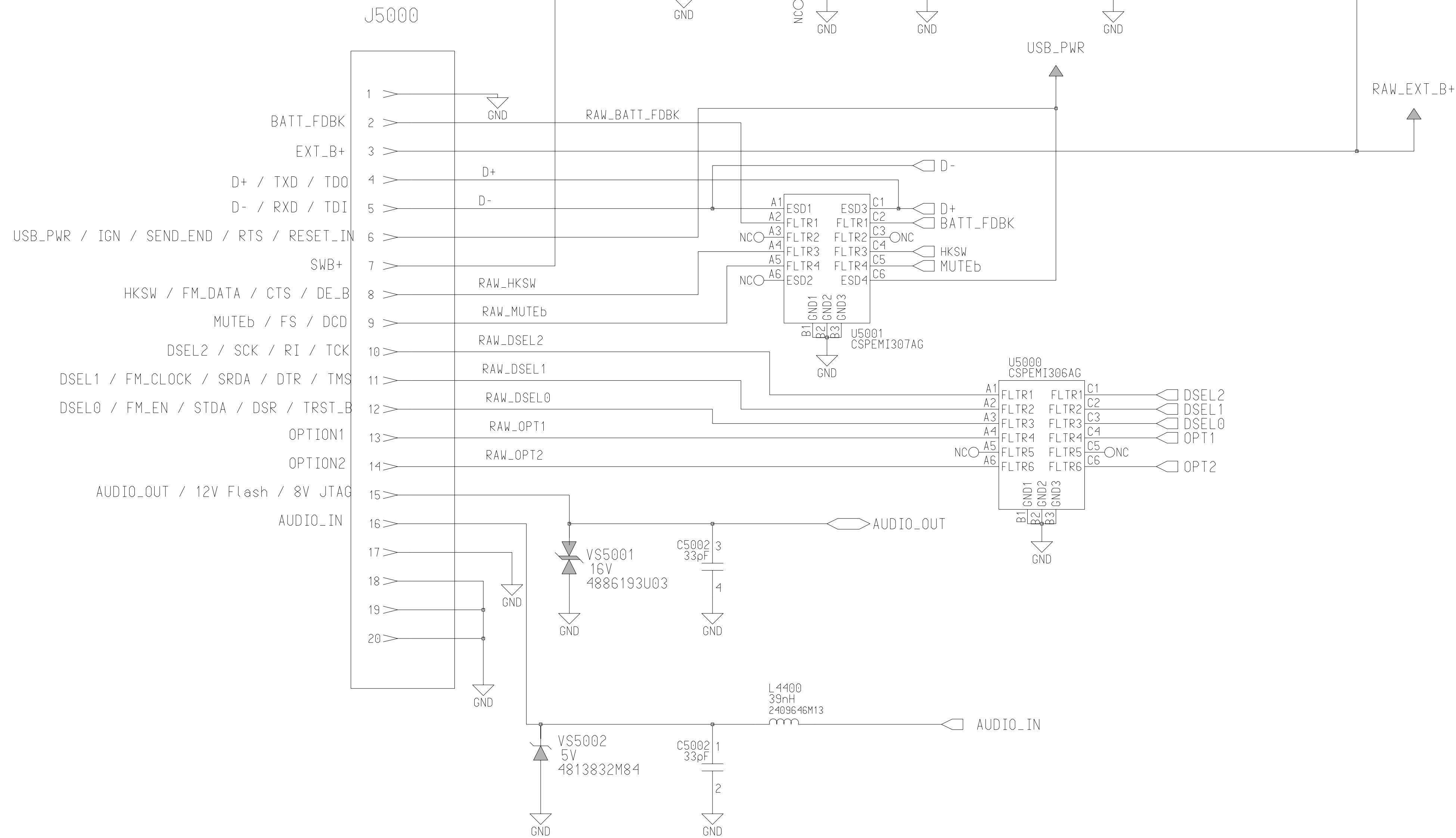
B

C

D

MOTOROLA CONFIDENTIAL PROPRIETARY

Accessory Connector CE Connector (0987636K06)



Engineer: Mark Melone	MOTOROLA INC.		
Drawn by:	Size:		
R&D CHK:	TITLE: E1000	Of:	
DOC CTRL CHK:	CE Accessory Connector		
MFG CTRL CHK:	REV:	Drawing Number:	Page:
QA CHK:	Date: Thursday, June 5, 2003	Time:	
Changed by: g15829			

Engineer:
Danny Ng
 Drawn by:
Danny Ng
 R&D CHK:
 DOC CTRL CHK:
 MFG CTRL CHK:
 QA CHK:



TITLE: GAM GPS BLOCK for E1000 Size: 11x17

REV: 0.2 Drawing Number: Page: 1 Of: 1

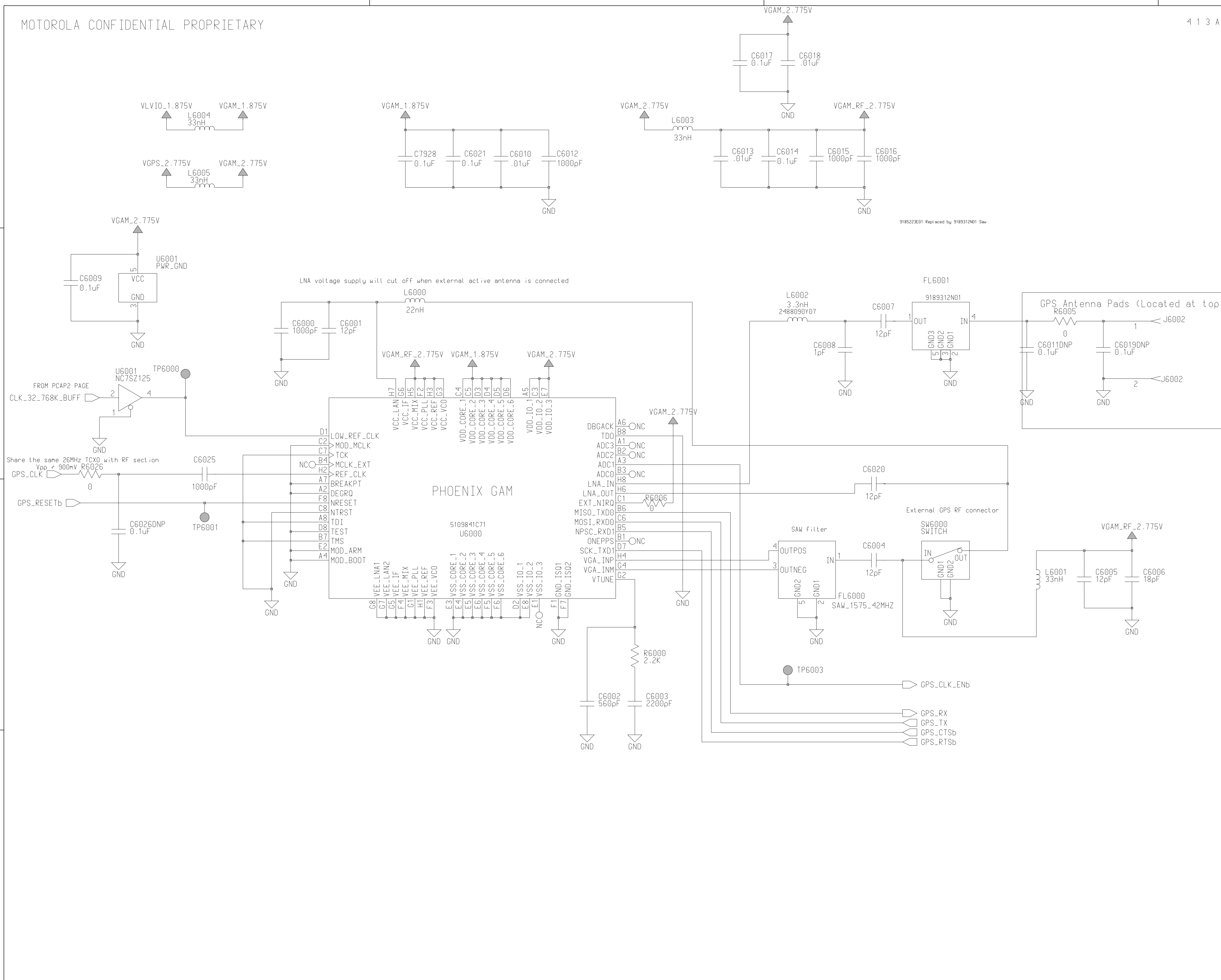
Changed by: Danny Ng Date: Wednesday, May 28, 2003 Time: 4:59:04 pm

A

B

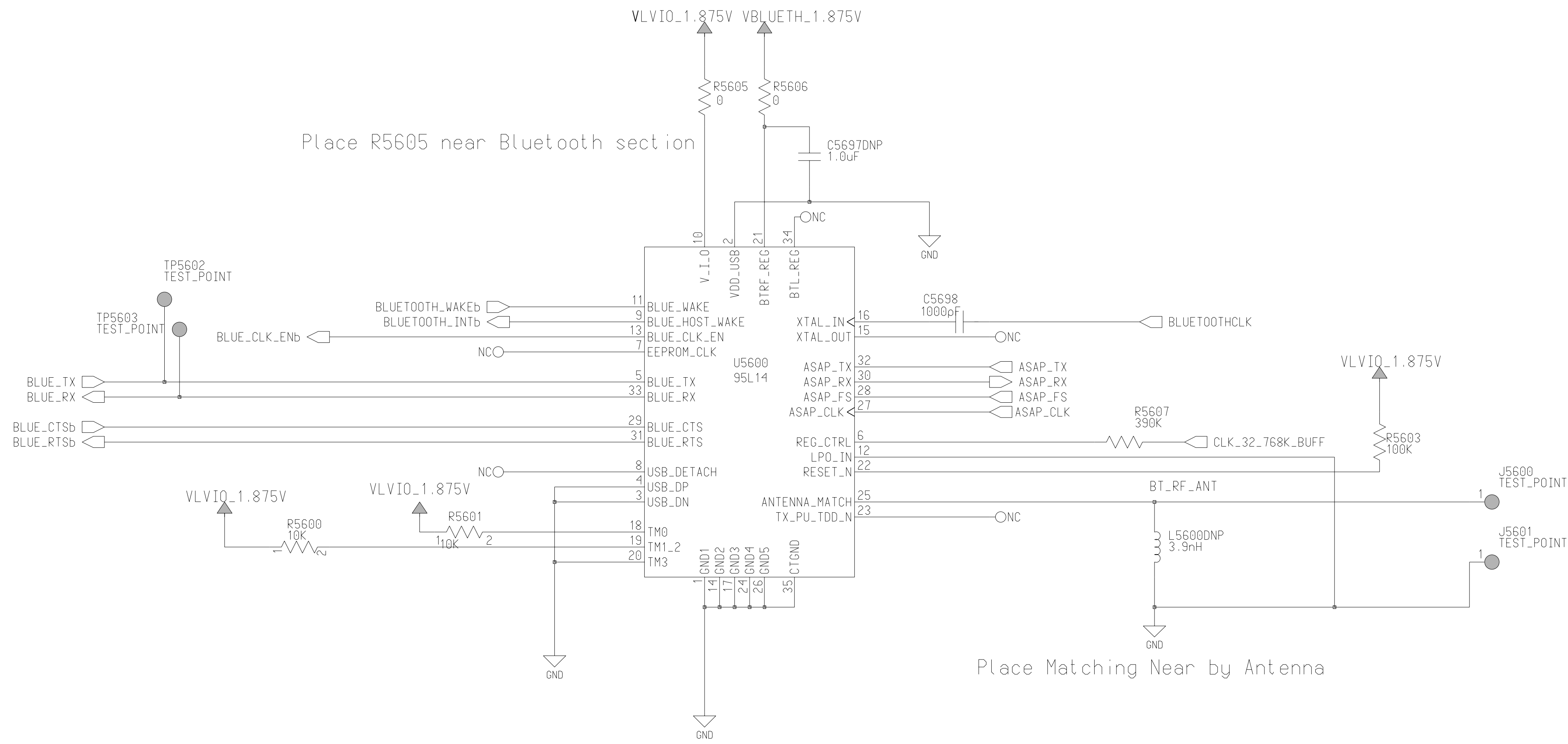
C

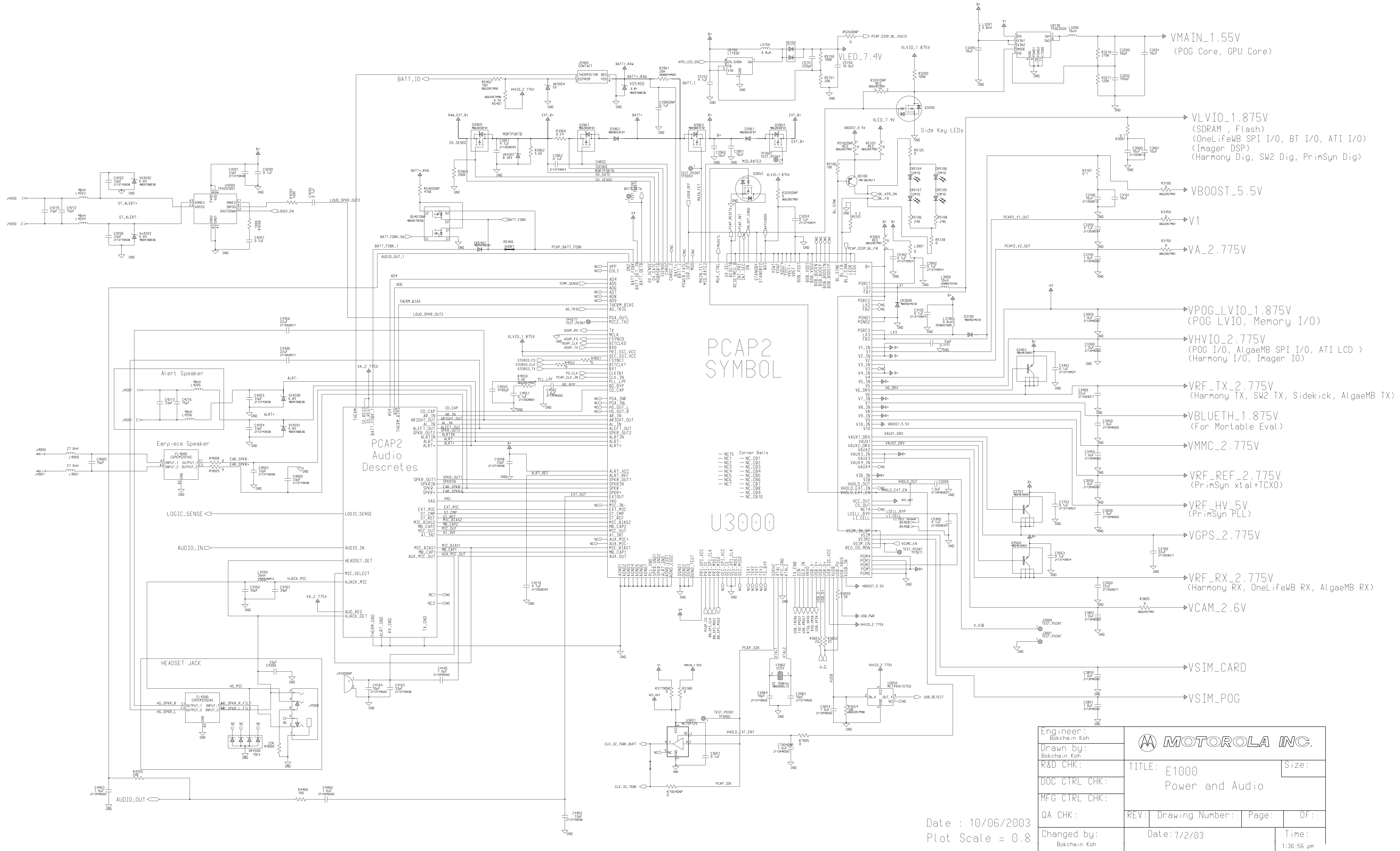
D



9185228E01 Replaced by 9189312N01 Saw

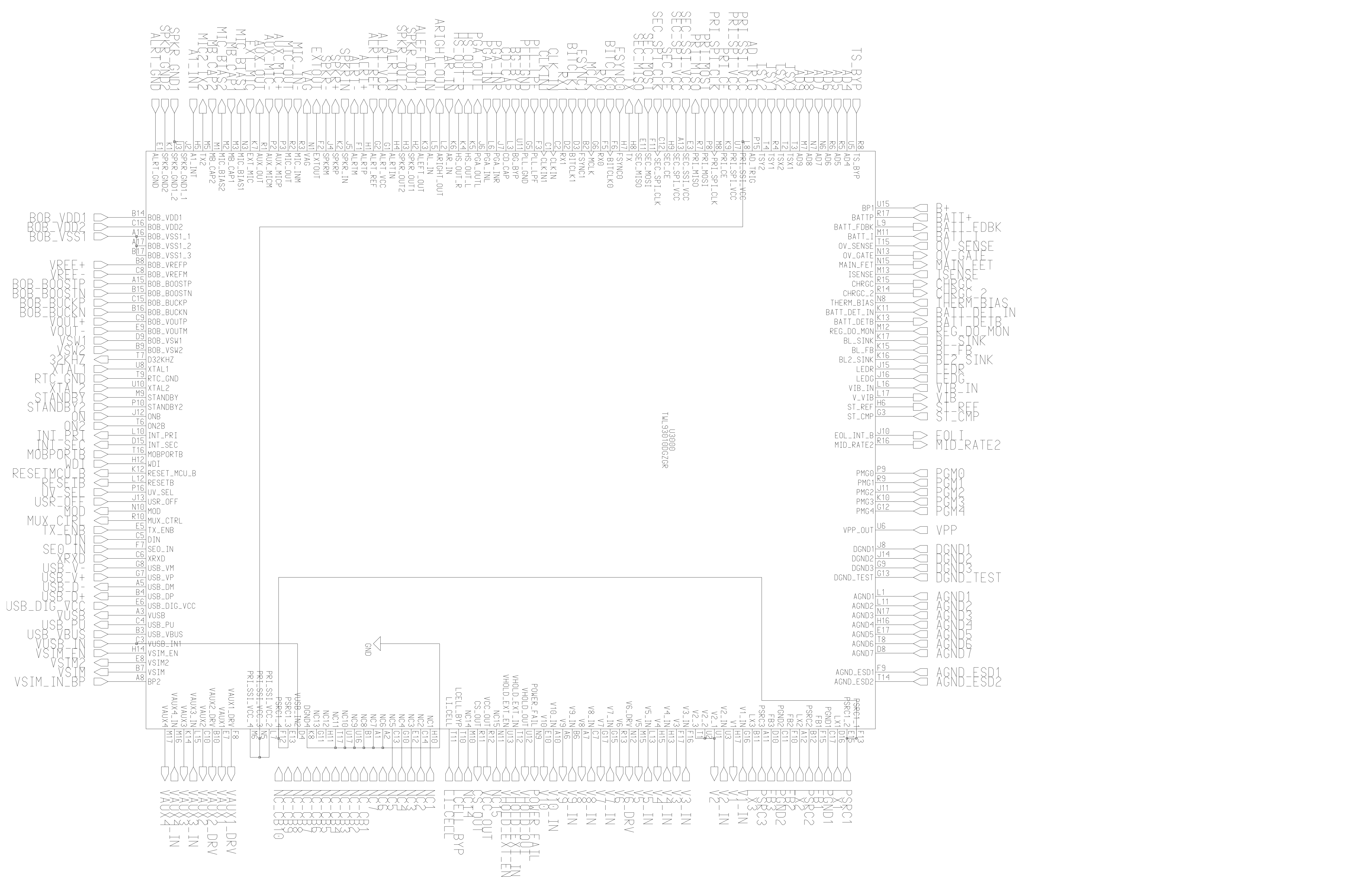
Engineer: Bokchain Koh	MOTOROLA INC.		
Drawn by:	TITLE: E1000 Bluetooth	Size:	
R&D CHK:	REV:	Drawing Number:	Page:
DOC CTRL CHK:			Of:
MFG CTRL CHK:			
QA CHK:	Date: April 7, 2003		Time:
Changed by: Song Zhang			





Date : 10/06/2003
Plot Scale = 0.8

Engineer: Bokchain Koh			
Drawn by: Bokchain Koh			
R&D CHK:	TITLE: E1000	Size:	
DOC CTRL CHK:	Power and Audio		
MFG CTRL CHK:	REV: Drawing Number:	Page:	Of:
QA CHK:	Date: 7/2/03		Time:
Changed by: Bokchain Koh			1:36:56 pm



MOTOROLA CONFIDENTIAL PROPRIETARY

1

2

3

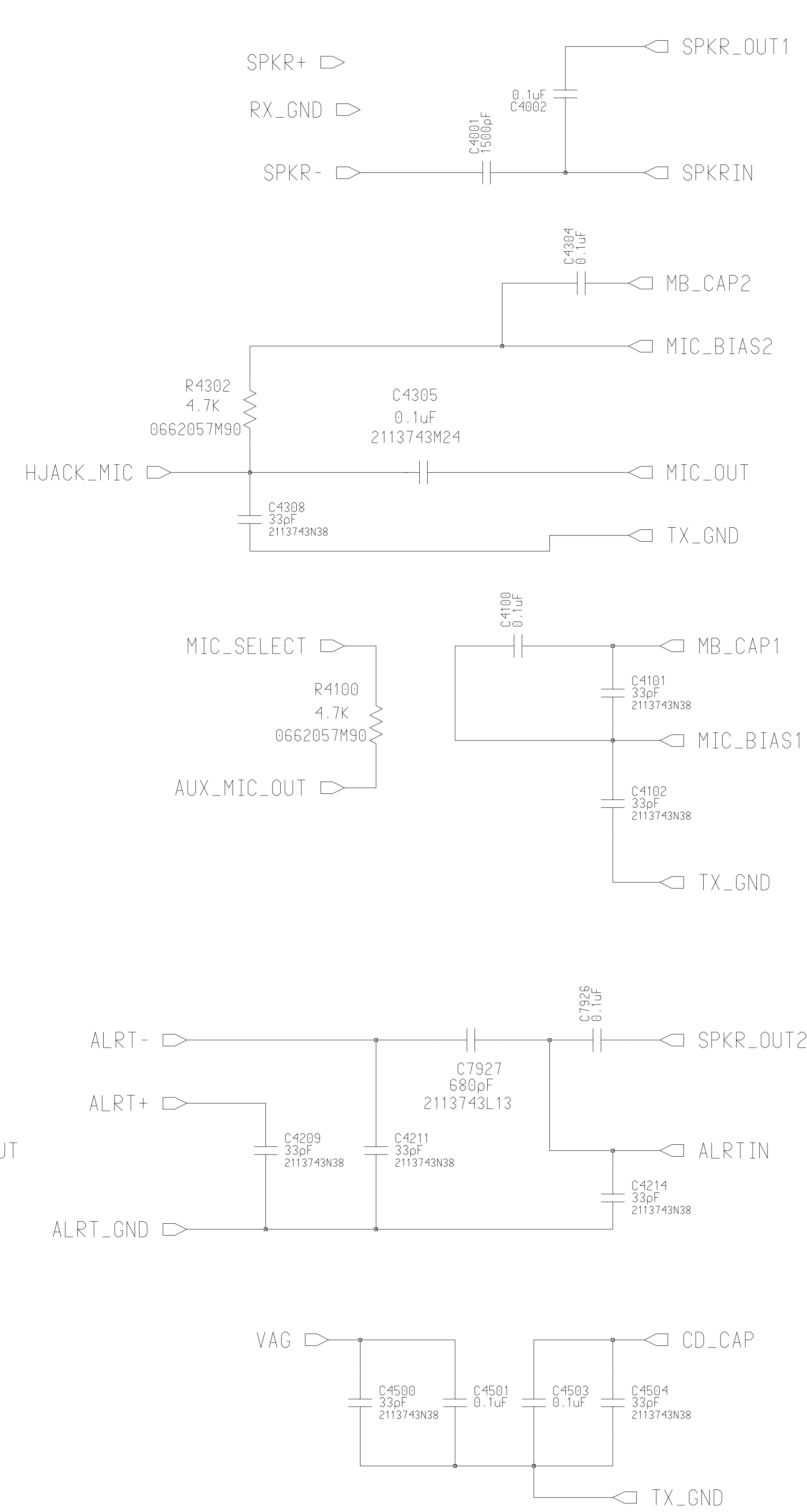
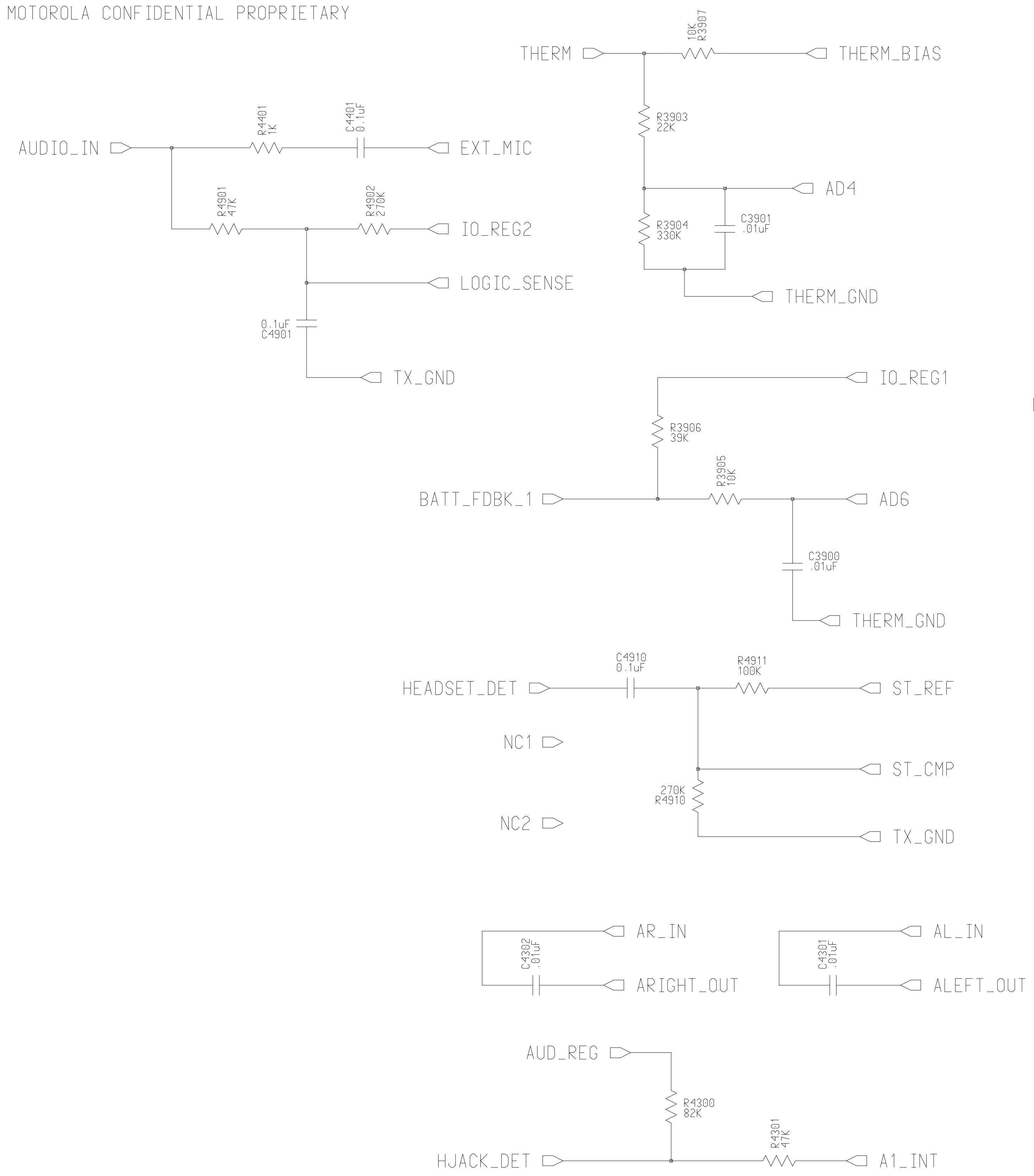
4

A

B

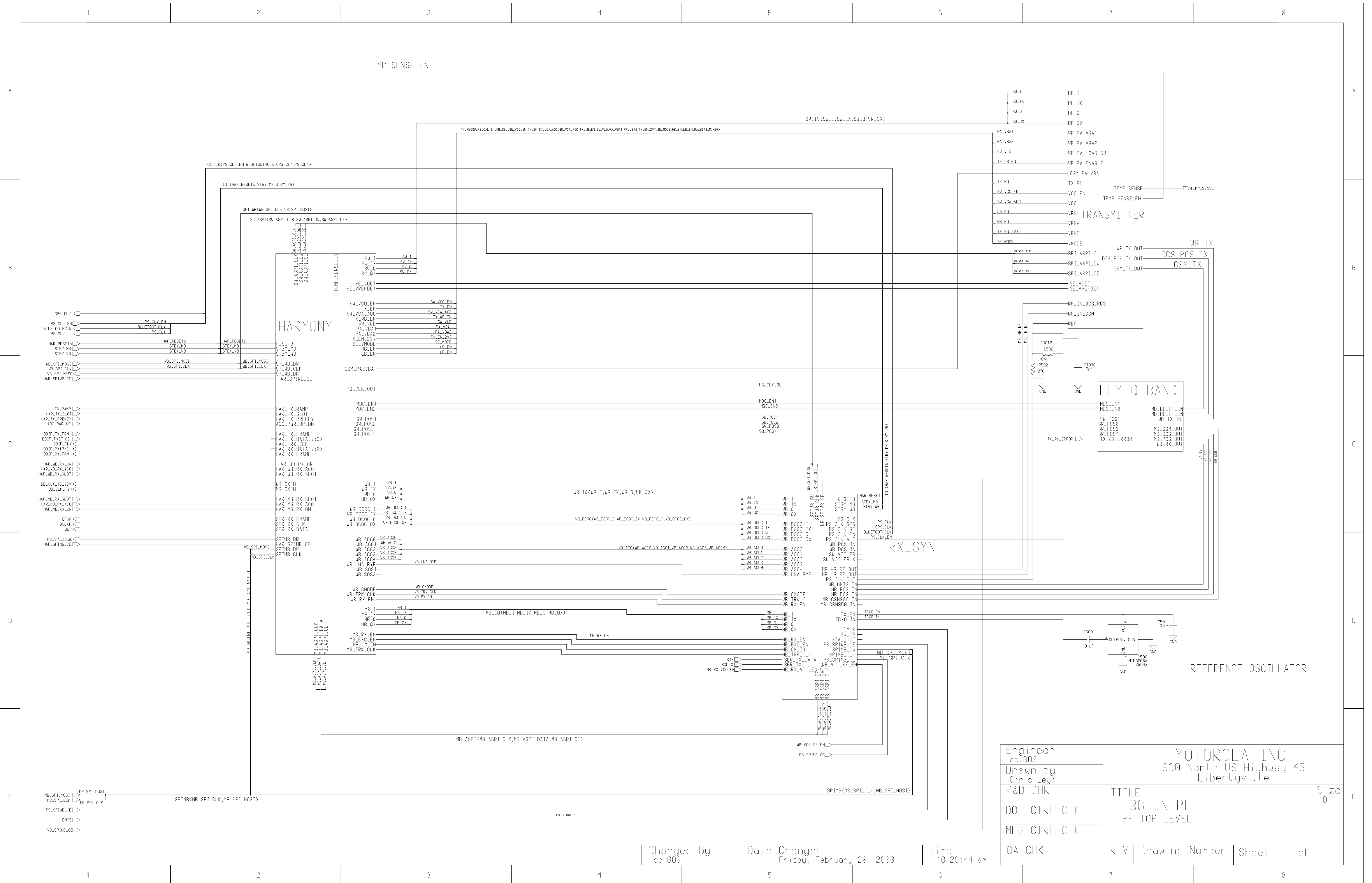
C

D



Engineer:			
Drawn by:			
R&D CHK:	TITLE:	Size:	
DOC CTRL CHK:			
MFG CTRL CHK:			
QA CHK:	REV:	Drawing Number:	Page: Of:
Changed by:	Date:	Time:	





Engineer ccl003	MOTOROLA INC. 600 North US Highway 45 Libertyville	Size D
Drawn by Chris Leyh		
R&D CHK	TITLE 3GFUN RF RF TOP LEVEL	
DOC CTRL CHK	REV	Drawing Number
MFG CTRL CHK		Sheet of
QA CHK		

Changed by ccl003 Date Changed Friday, February 28, 2003 Time 10:20:44 am

REV Drawing Number Sheet of

TP placeholders for pins with NC

SYNTHESIS CAPACITORS CLOSE TO HARMONY

SUPPLIES INTERCONNECTIONS FAR FROM HARMONY

ALL CAPACITORS CLOSE TO HARMONY

ALL CAPACITORS CLOSE TO HARMONY

HARMONY

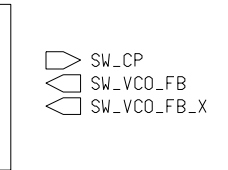
U100

90R23

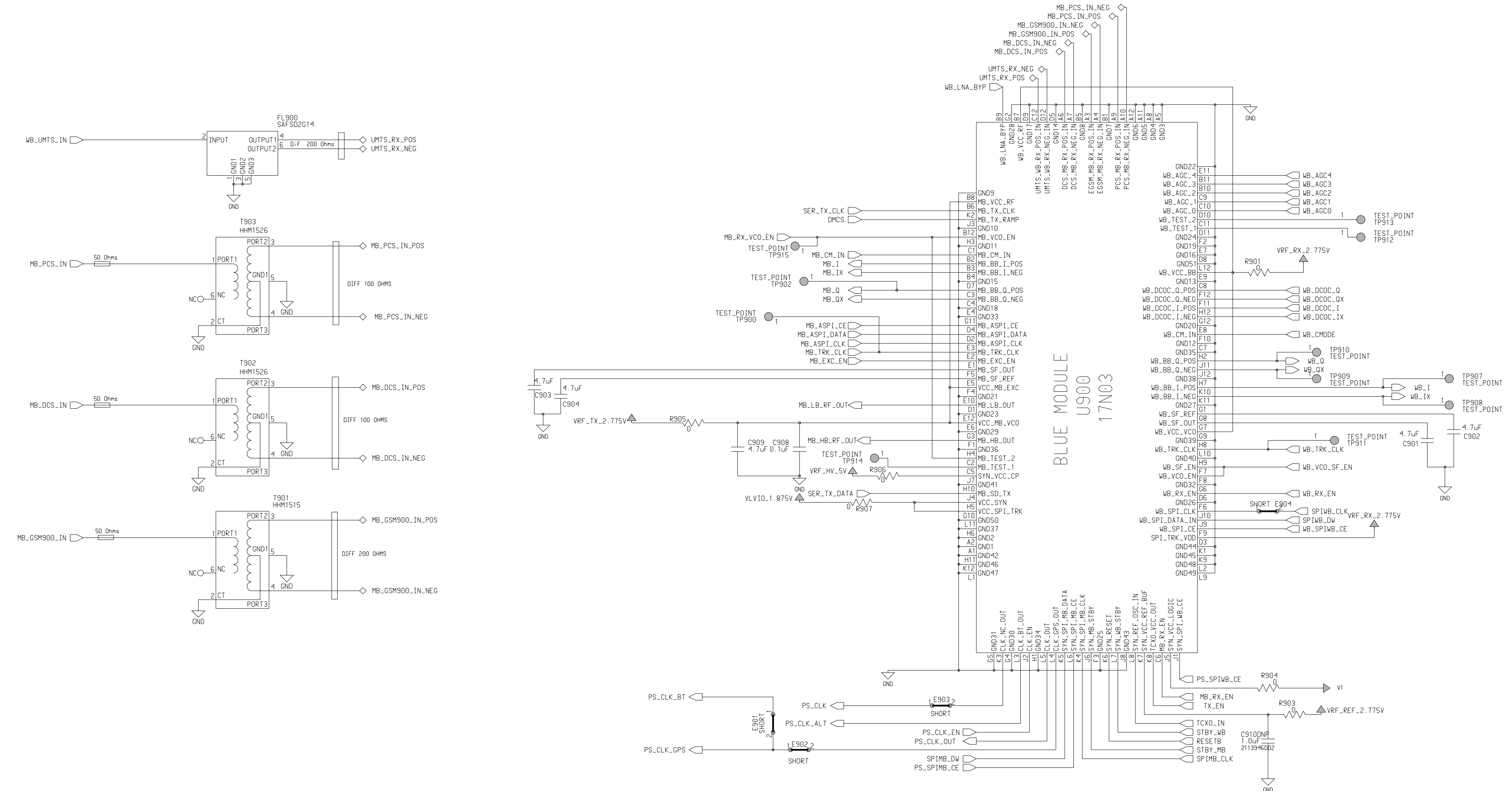
Engineer Chris Leyh	MOTOROLA INC. 600 North US Highway 45 Libertyville		
Drawn by ccl003	TITLE HARMONY		Size D
R&D CHK	QA CHK	REV 1	Drawing Number Sheet of
DOC CTRL CHK		Time 12:06:46 pm	
MFG CTRL CHK		Date Changed Thursday, April 17, 2003	

ORG. Blue Module VERSION 2.0

DO NOT DELETE



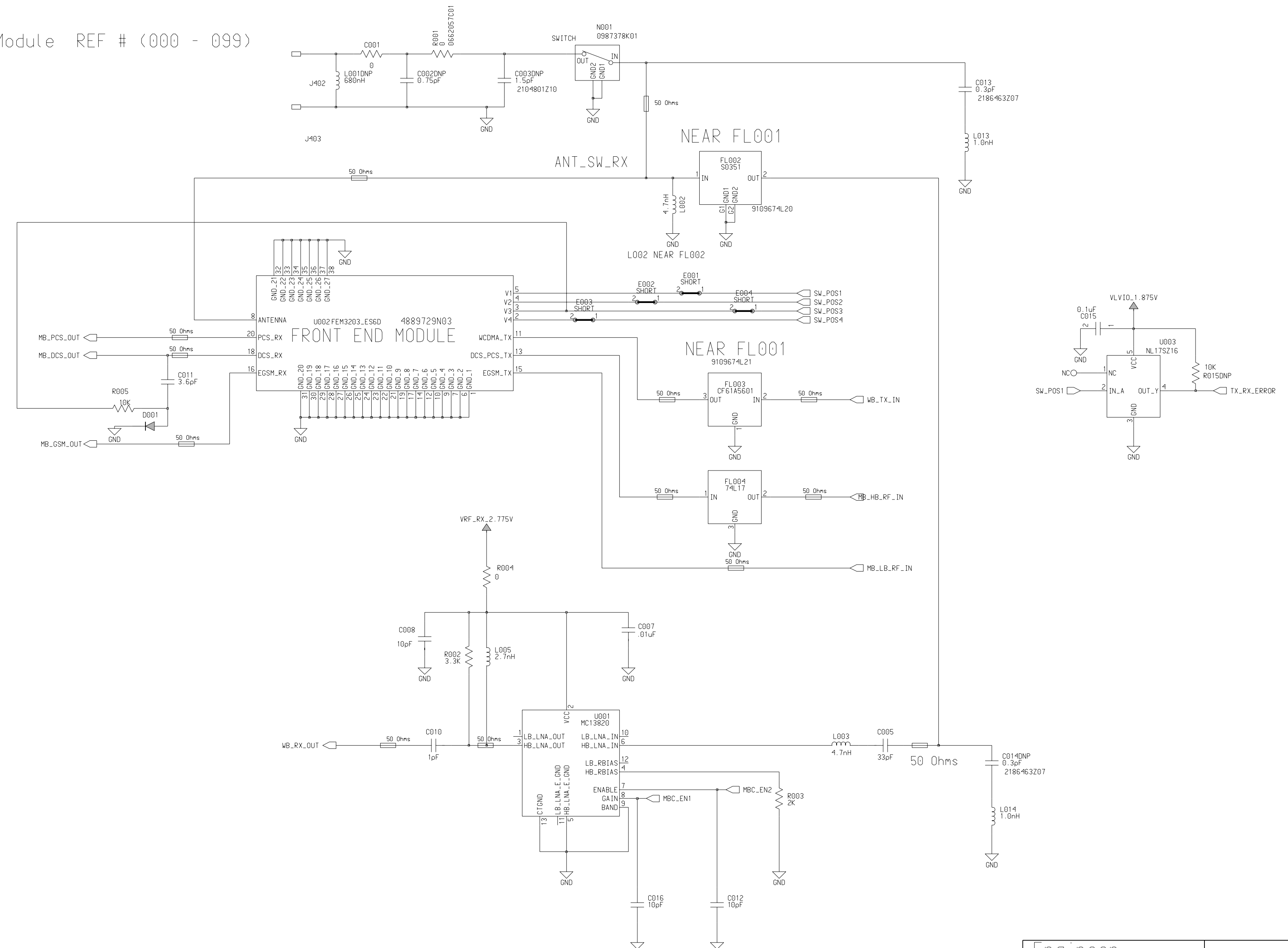
Tps for test_1 & test_2



Engineer Chris Leyh	COMPANY NAME Address City		
Drawn by Chris Leyh			
R&D CHK	TITLE	Size D	
DOC CTRL CHK	Rx/Syn		
MFG CTRL CHK			
QA CHK	REV 1.0	Drawing Number	Sheet of

Changed by ccl003 Date Changed Thursday, April 10, 2003 Time 9:50:27 am

Front End Module REF # (000 - 099)



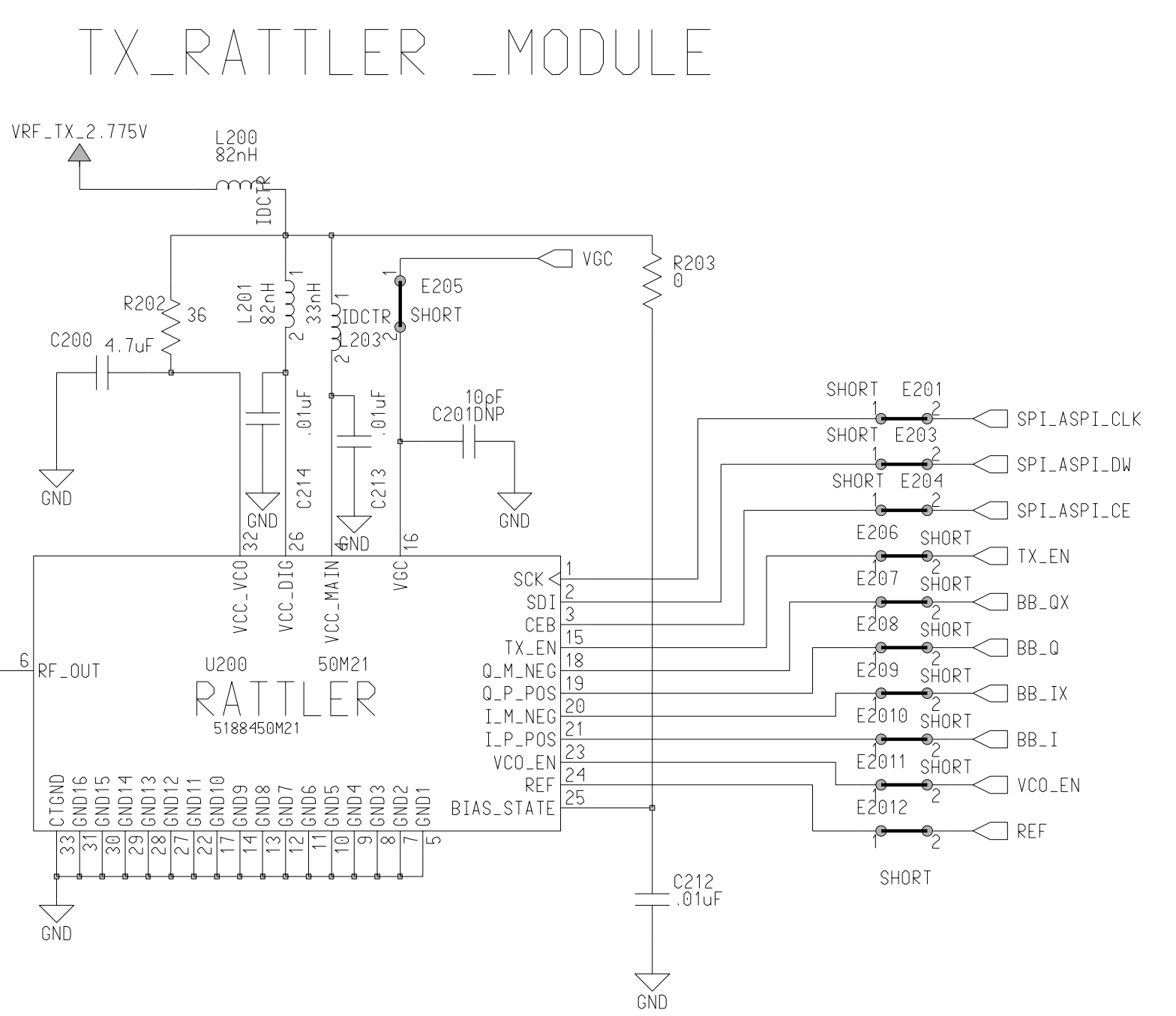
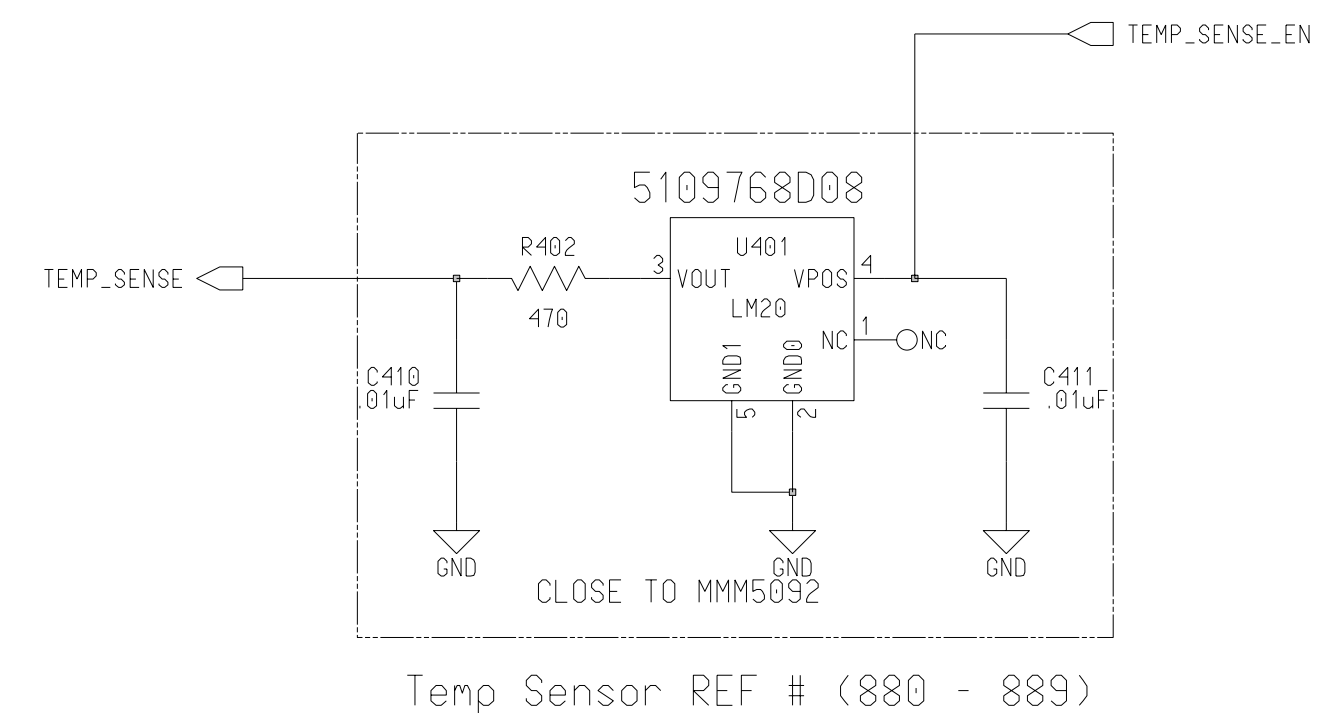
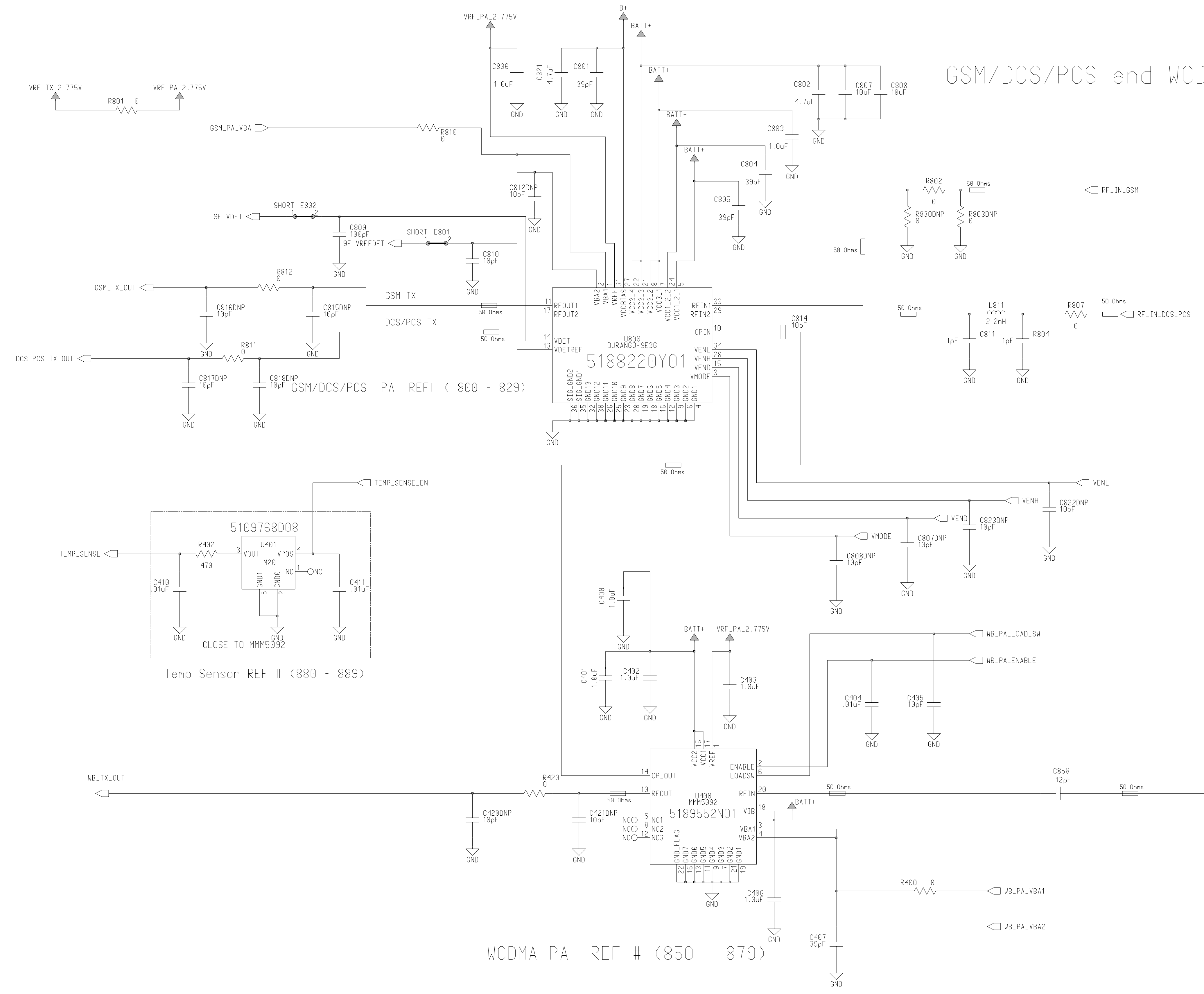
Engineer Chris Leyh	MOTOROLA INC. 600 North US Highway 45 Libertyville		
Drawn by ccl003			
R&D CHK	TITLE	Size D	
DOC CTRL CHK	Quad Band Front End Module		
MFG CTRL CHK	REV 1	Drawing Number	Sheet of

Changed by
ccl003

Date Changed
Thursday, April 17, 2003

Time
8:25:56 am

GSM/DCS/PCS and WCDMA Transmitters



WCDMA PA REF # (850 - 879)

Engineer	MOTOROLA INC. 600 North US Highway 45 Libertyville		
Drawn by	TITLE		
R&D CHK	TRANSMITTER		
DOC CTRL CHK	REV	Drawing Number	Sheet of
MFG CTRL CHK	QA CHK		

Changed by wlpn11	Date Changed Thursday, April 24, 2003	1:46:09 pm	Time
----------------------	--	------------	------

wlpn11
wlpn11