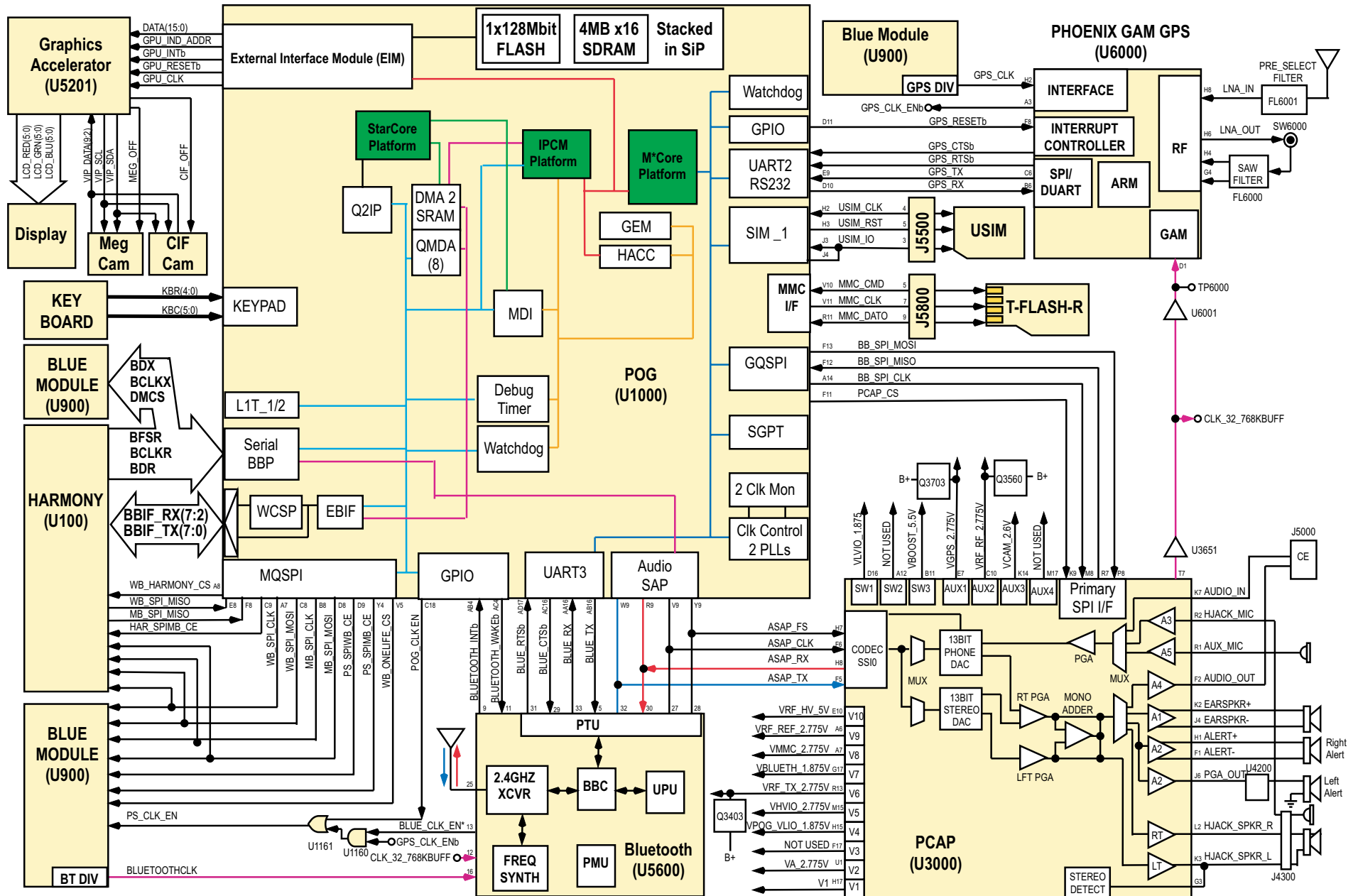


# E1000: POG I/F Block Diagram (v1.1)

# PCB: 8489659N07 Iss P7C\_0



Motorola Confidential Proprietary