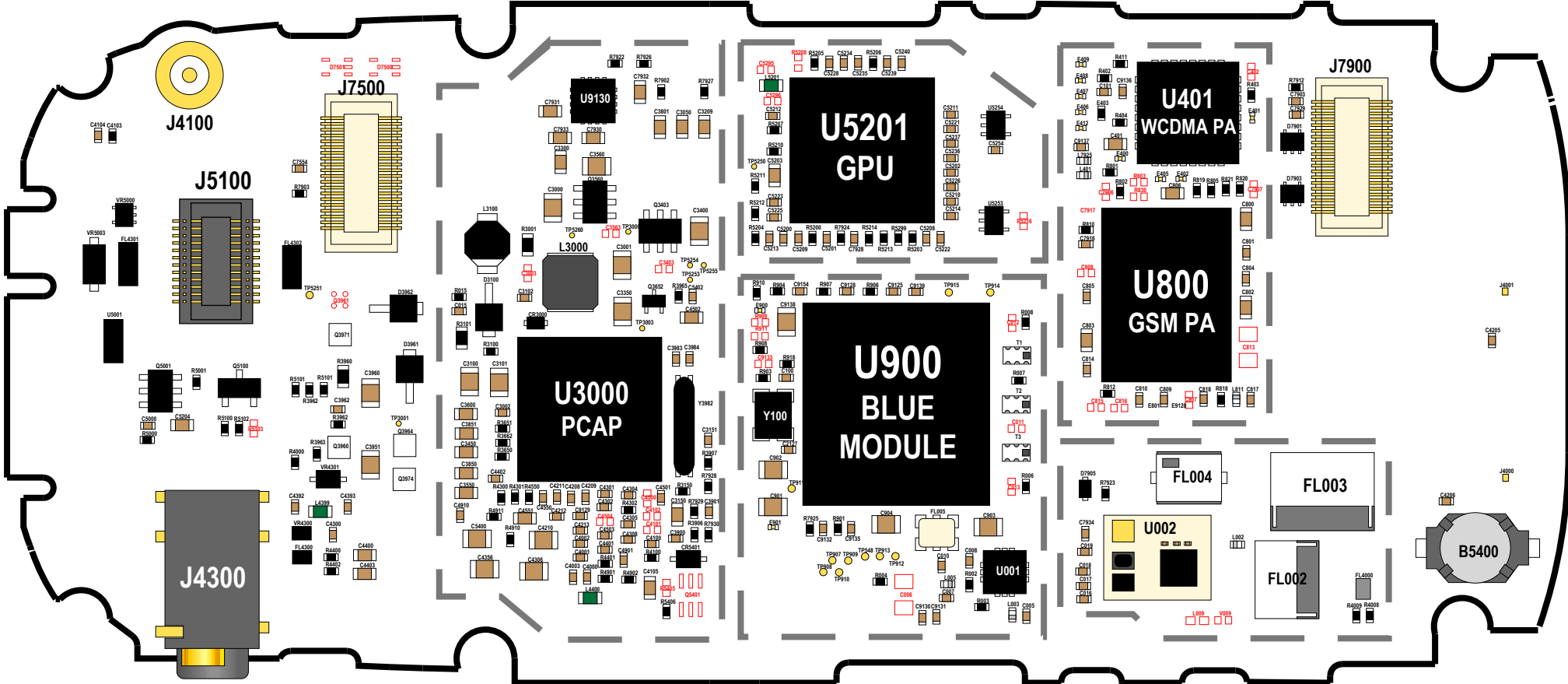


# C975(Tyax): Layout Side 1

# PCB: 8403535C03 Iss. 0



# C975(Tyax): Layout Side 2

# PCB: 8403535C03 Iss. 0

