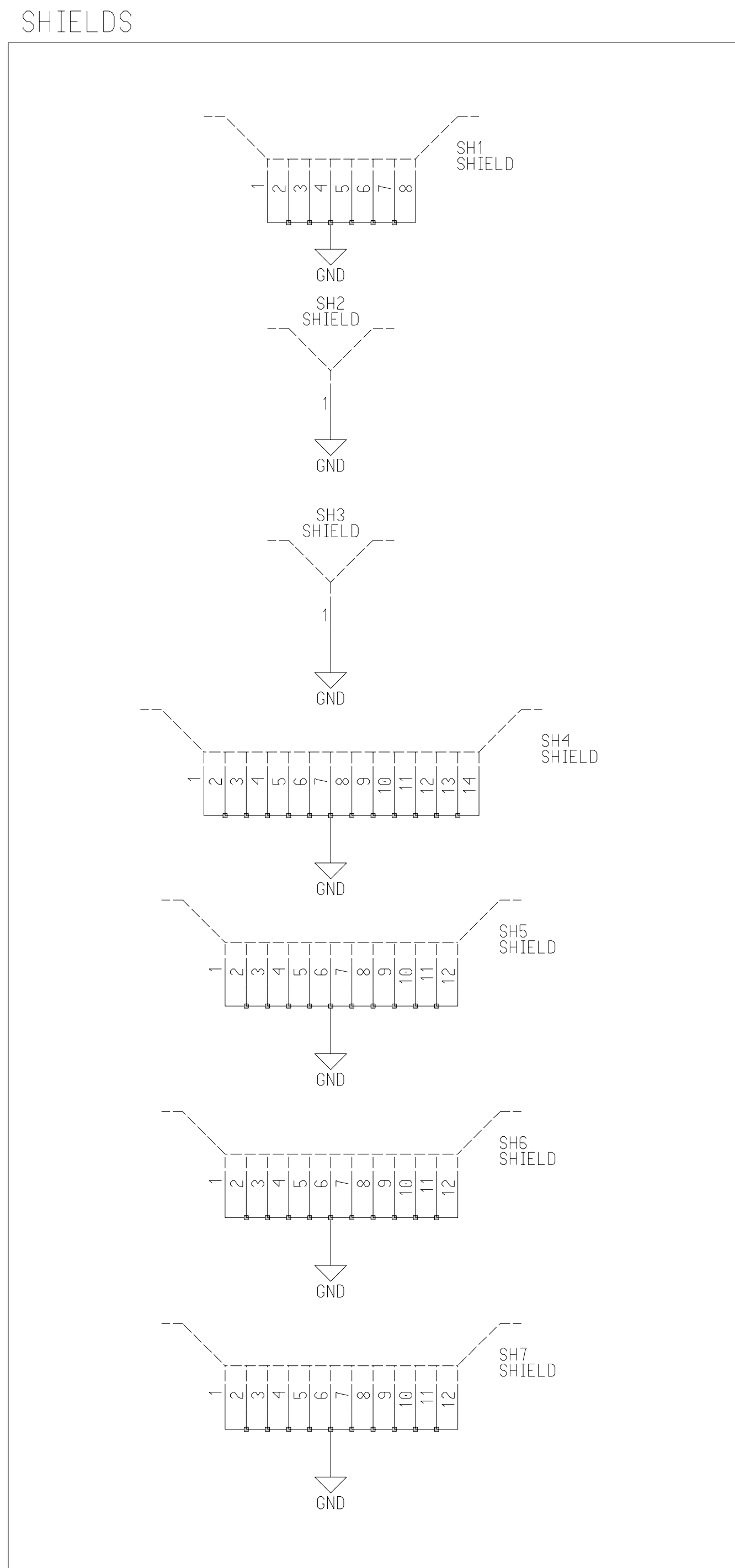
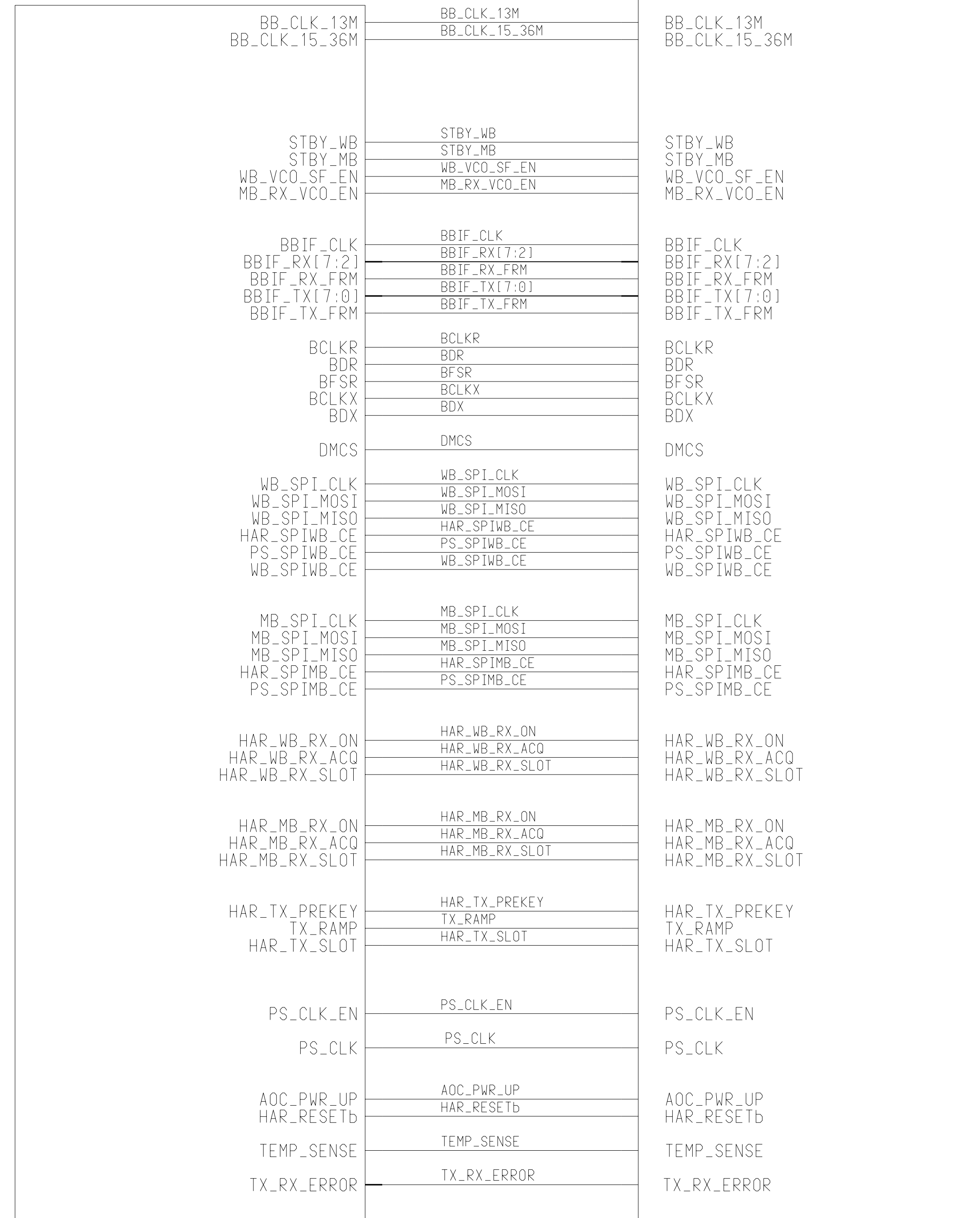


Engineer: Ed Naddeo			
Drawn by: Ed Naddeo			
R&D CHK:	TITLE: ELK (E1000)	Size: 11x17	
DOC CTRL CHK:	Top Level		
MFG CTRL CHK:	REV:	Drawing Number: 8403671B10	Page: Of:
QA CHK:	Date: September 17, 2003	Time:	
Changed by: Ed Naddeo			



Baseband

RF



Note:

All changes to the schematic are being recorded and stored in:
X:\Projects_Area\Electrical\Projects\C975\PCB & Schematic Changes
file name:
Implemented_schematic_changes.xls

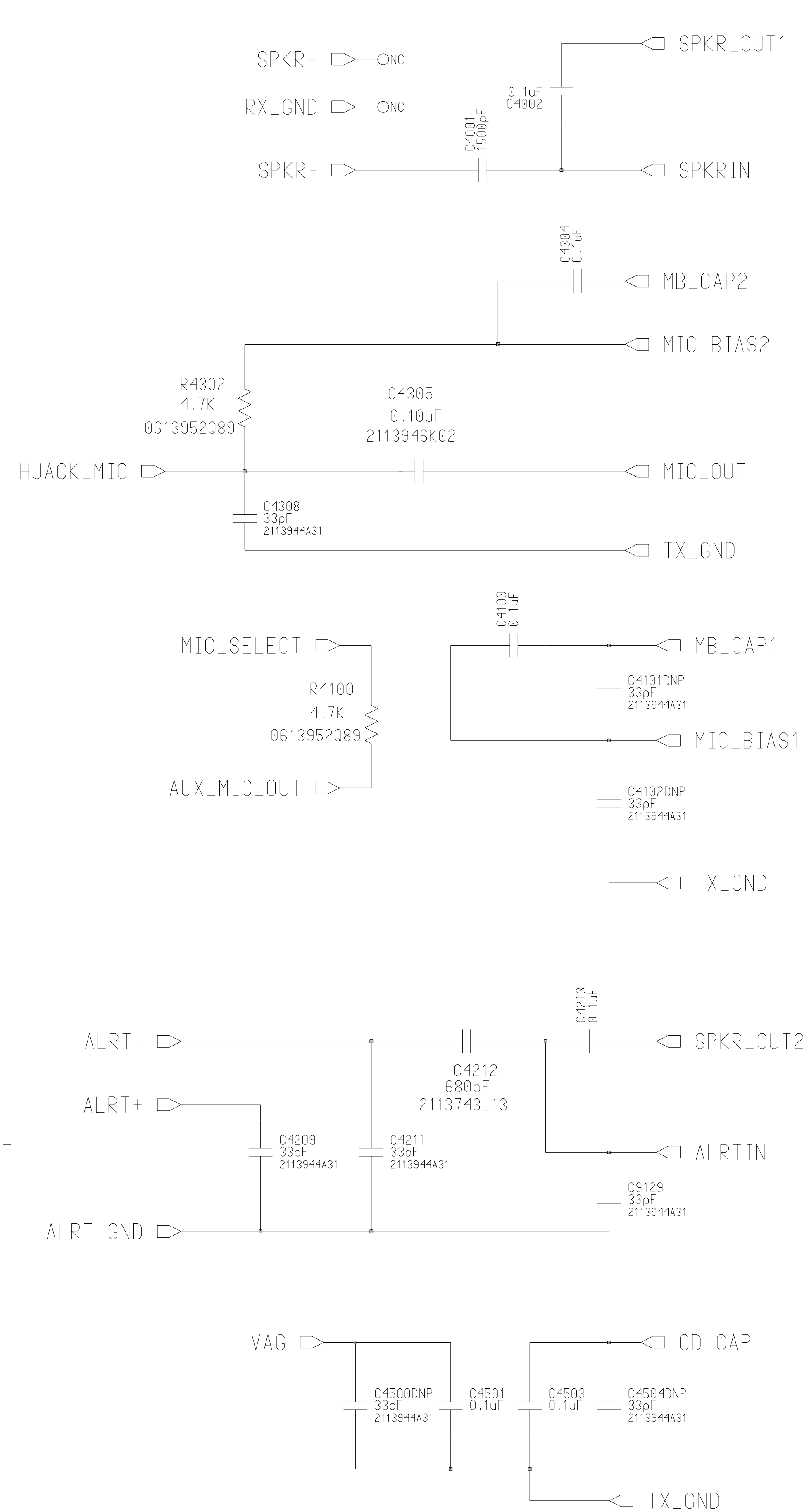
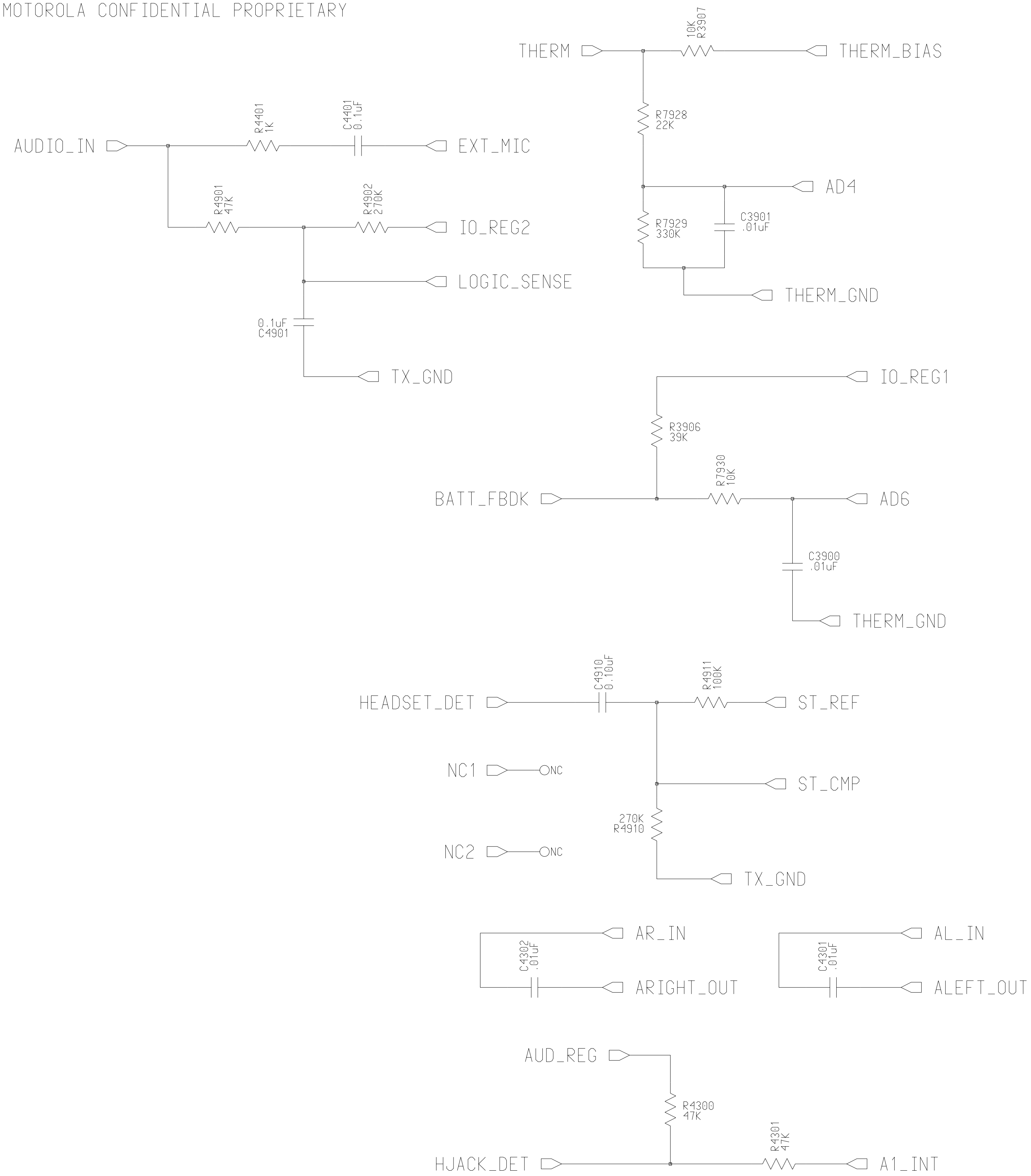
MOTOROLA CONFIDENTIAL PROPRIETARY

1

2

3

4



Engineer:	MOTOROLA INC.		
Drawn by:	TITLE: Size:		
R&D CHK:	REV: Drawing Number:		Page: Of:
DOC CTRL CHK:	Date: Time:		
MFG CTRL CHK:			
QA CHK:			
Changed by:			

A

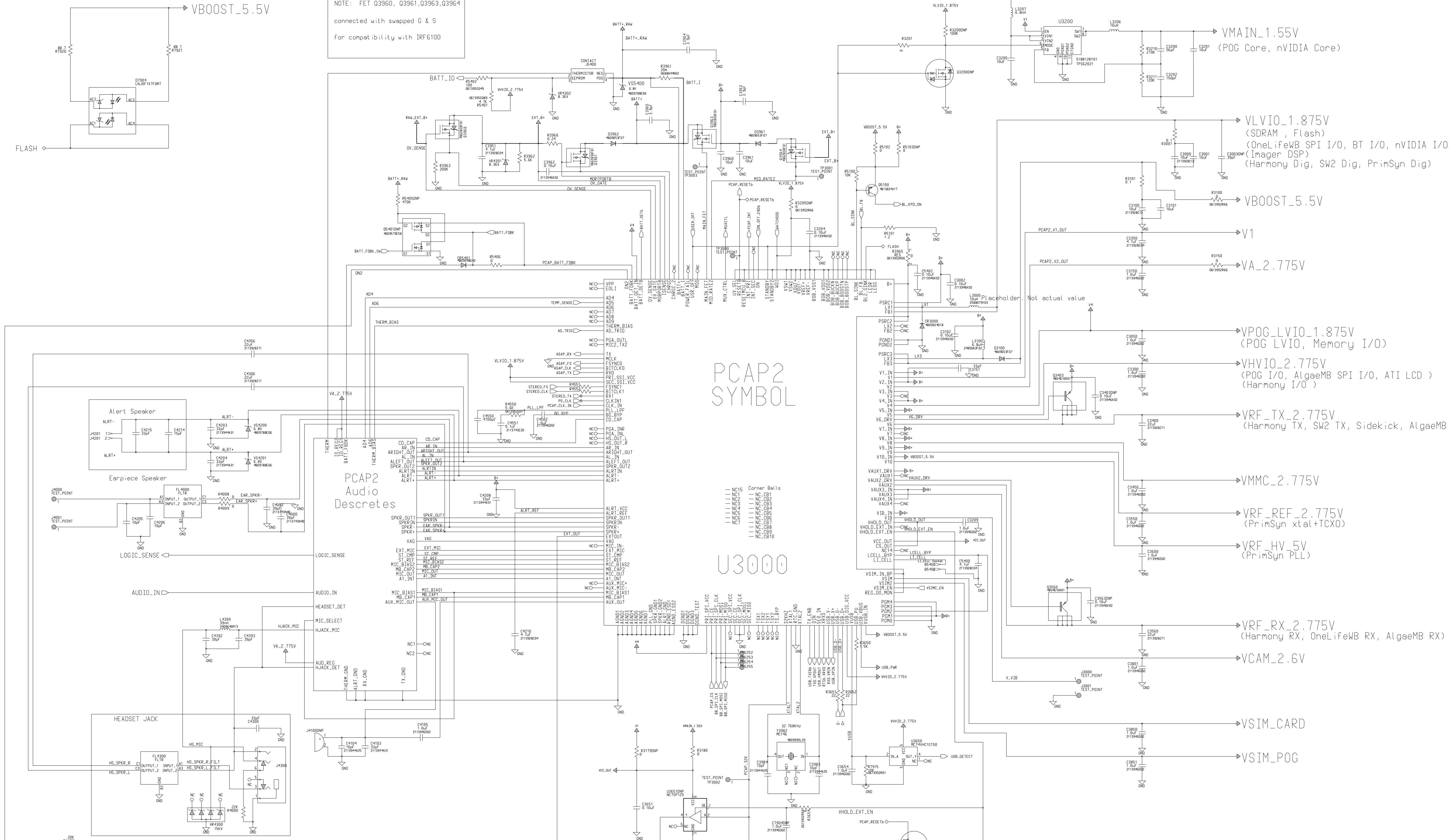
B

C

D

Connection have been changed taking into account the wrong geometry of the associated symbol
 4809939C39 is a place holder for 4813973M75

NOTE: FET Q3960, Q3961, Q3963, Q3964
 connected with swapped G & S
 for compatibility with IRF6100



PCAP2 SYMBOL

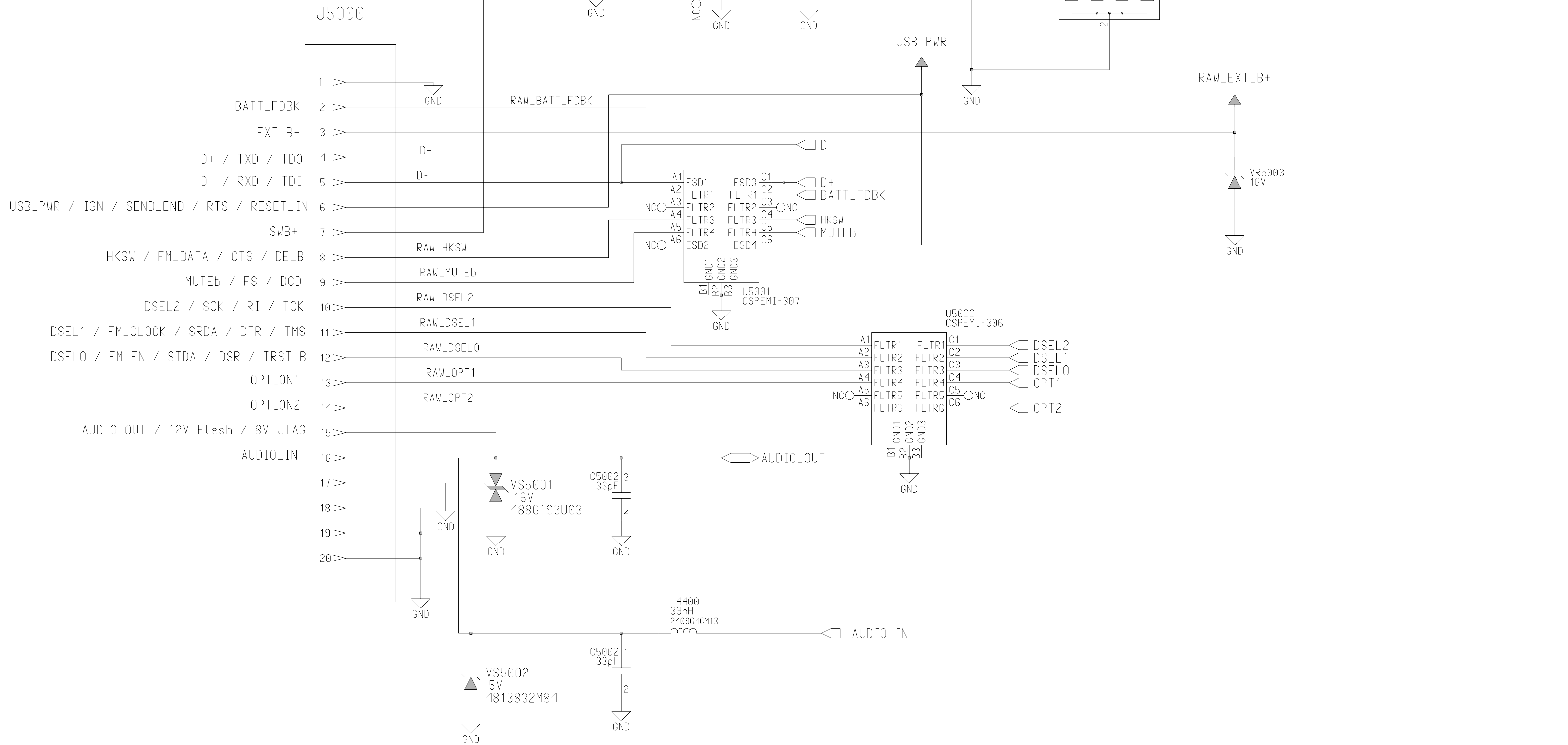
U3000

- NC15 Corner Balls
- NC16 NC_C81
- NC17 NC_C82
- NC18 NC_C83
- NC19 NC_C84
- NC20 NC_C85
- NC21 NC_C86
- NC22 NC_C87
- NC23 NC_C88
- NC24 NC_C89
- NC25 NC_C90
- NC26 NC_C91
- NC27 NC_C92
- NC28 NC_C93
- NC29 NC_C94
- NC30 NC_C95
- NC31 NC_C96
- NC32 NC_C97
- NC33 NC_C98
- NC34 NC_C99
- NC35 NC_C100

APPROVALS	DATE	MOTOROLA	
ORIGINALLY DESIGNED BY: Bokchain Koh		TITLE C975	
CHANGED BY: F.Filizzola		Power and Audio	
ELECTRICAL ENGINEER F.Filizzola		SIZE A1	CAGE CODE
MOTOROLA CONFIDENTIAL PROPRIETARY THE DRAWING ON THIS PRINT AND INFORMATION THEREON ARE PROPRIETARY TO MOTOROLA AND SHALL NOT BE USED OR DISCUSSED IN WHOLE OR IN PART WITHOUT MOTOROLA'S CONSENT. © COPYRIGHT, MOTOROLA, THIS DOES NOT IMPLY PUBLICATION		DWG NO	REV
CAD FILE NAME		SHEET OF	

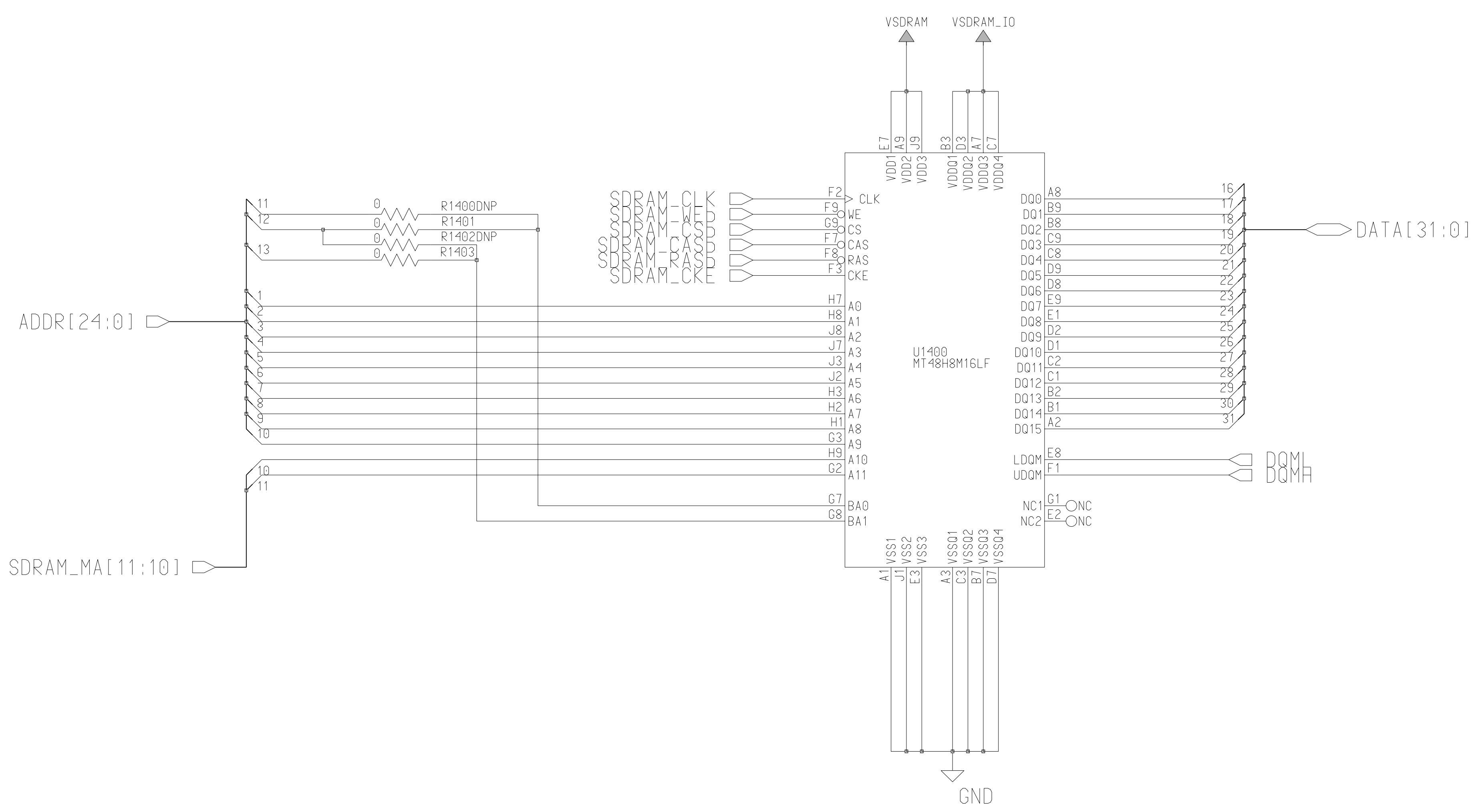
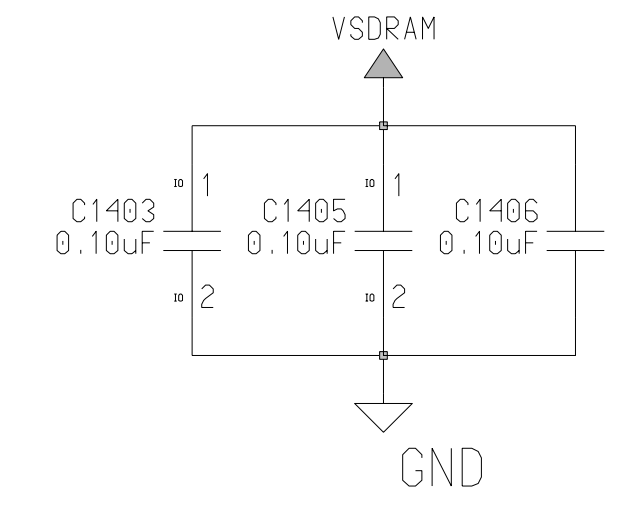
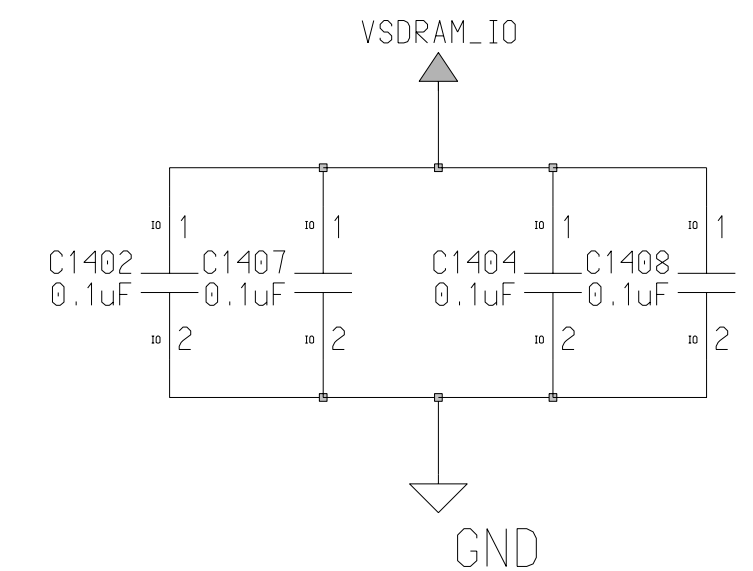
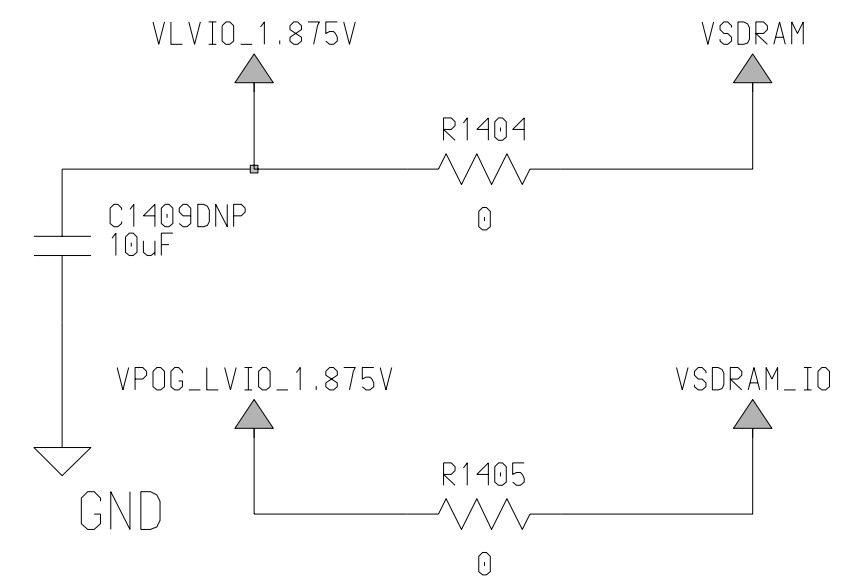
MOTOROLA CONFIDENTIAL PROPRIETARY

Accessory Connector CE Connector (0987636K06)



Engineer: Mark Melone			
Drawn by:			
R&D CHK:	TITLE: C975	Size:	
DOC CTRL CHK:	CE Accessory Connector		
MFG CTRL CHK:	REV:	Drawing Number:	Page: Of:
QA CHK:	Date: January 30th, 2004		Time:
Changed by: F.Filizzole			

Engineer: Ed Nadeo			
Drawn by: Ed Nadeo			
R&D CHK:	TITLE: Talon Integrated 4Mx16 SDRAM	Size: 11x17	
DOC CTRL CHK:			
MFG CTRL CHK:			
QA CHK:	REV: 1.0	Drawing Number: 84888888x88	Page: 1 Of: 1
Changed by: wlen01	Date: Friday, March 1, 2002	Time: 3:37:06 pm	

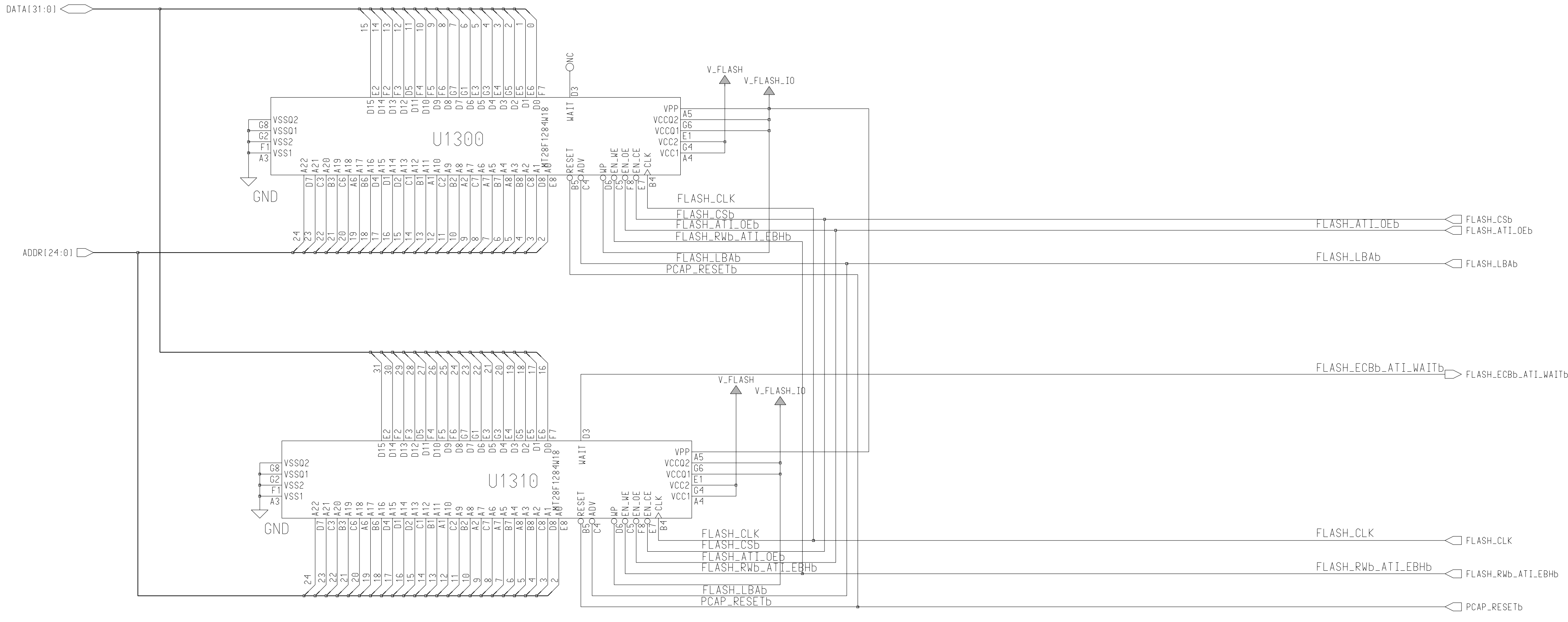
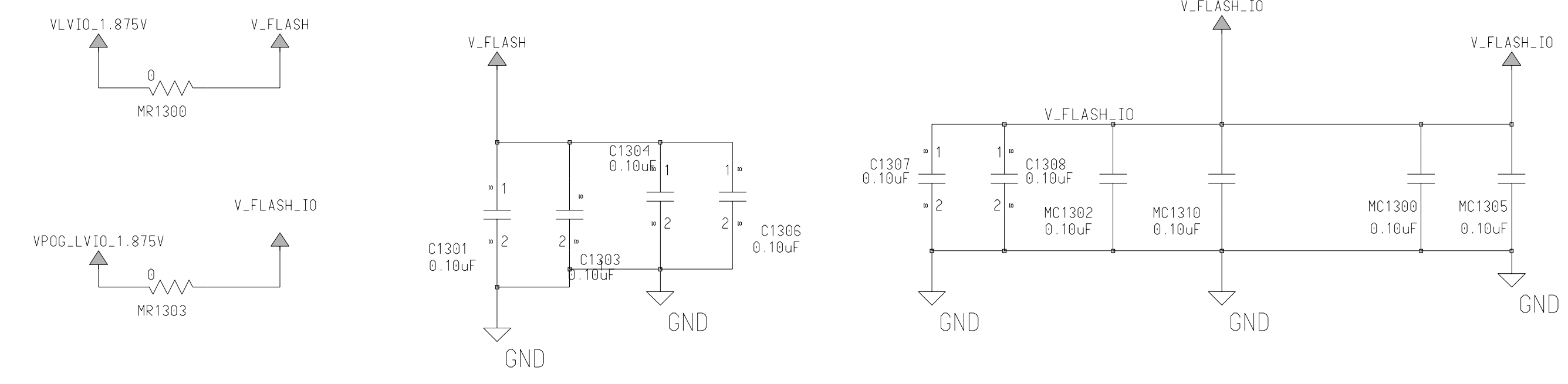


MOTOROLA INTERNAL USE ONLY

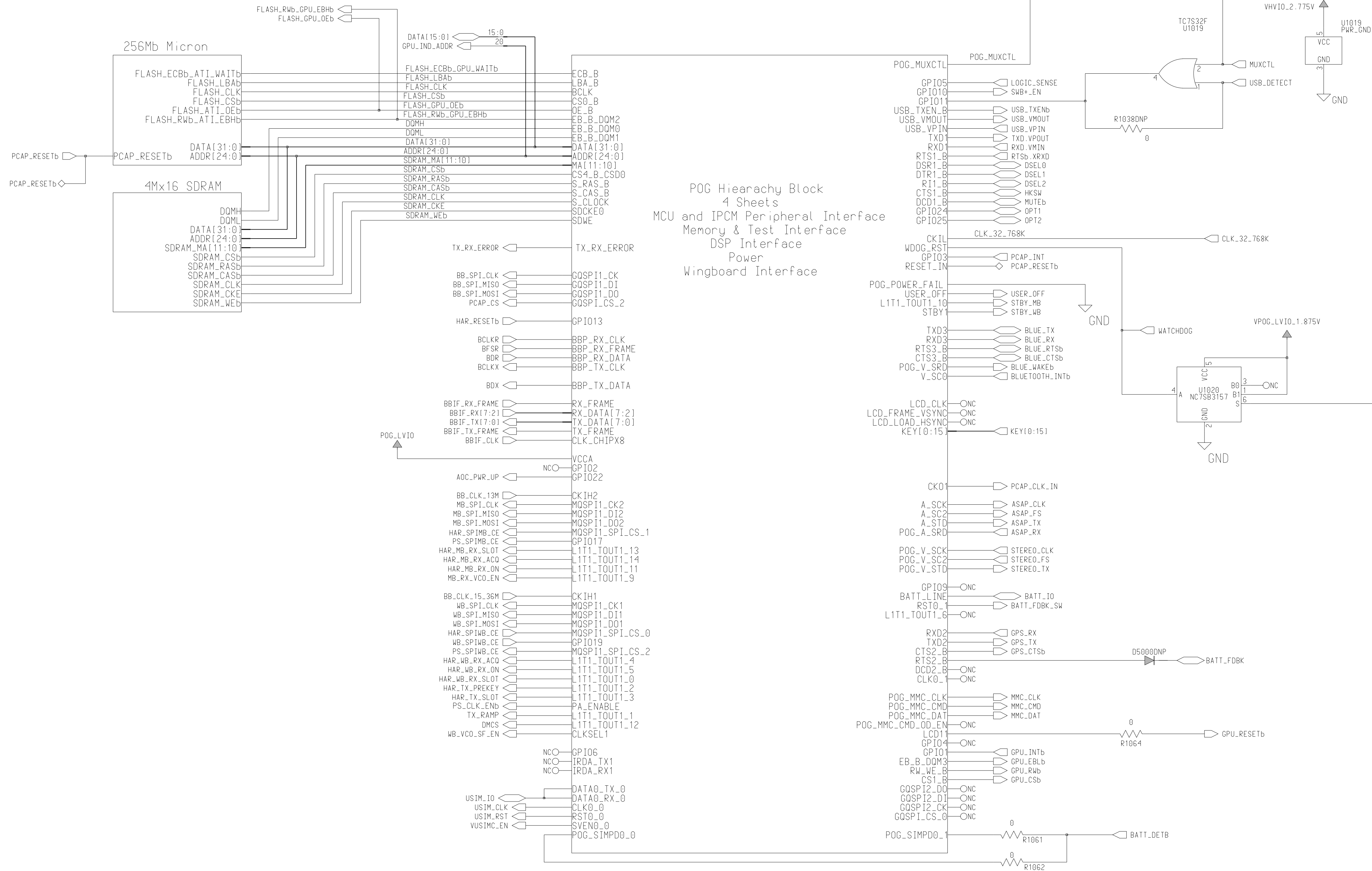
4 1 3 A



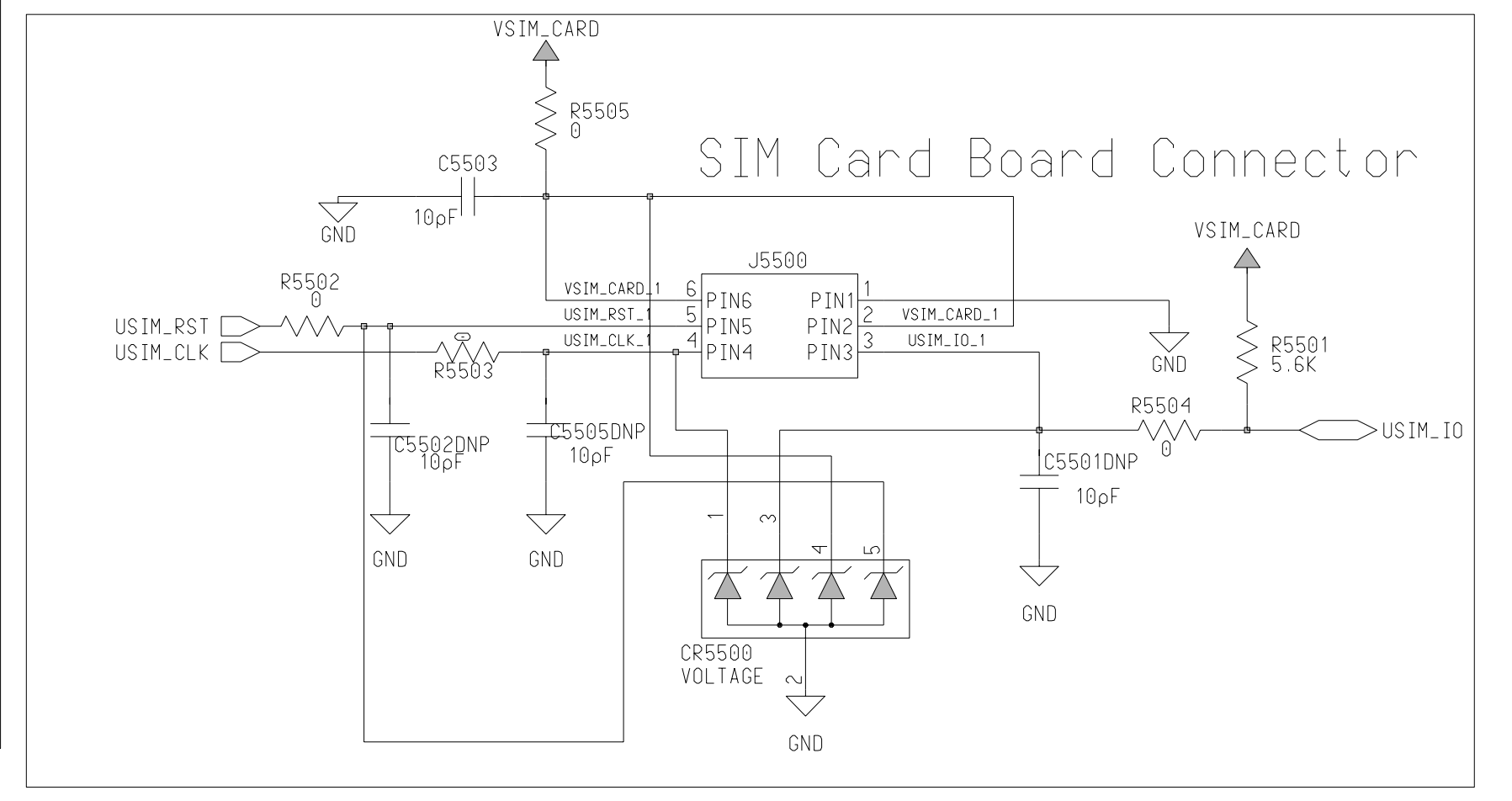
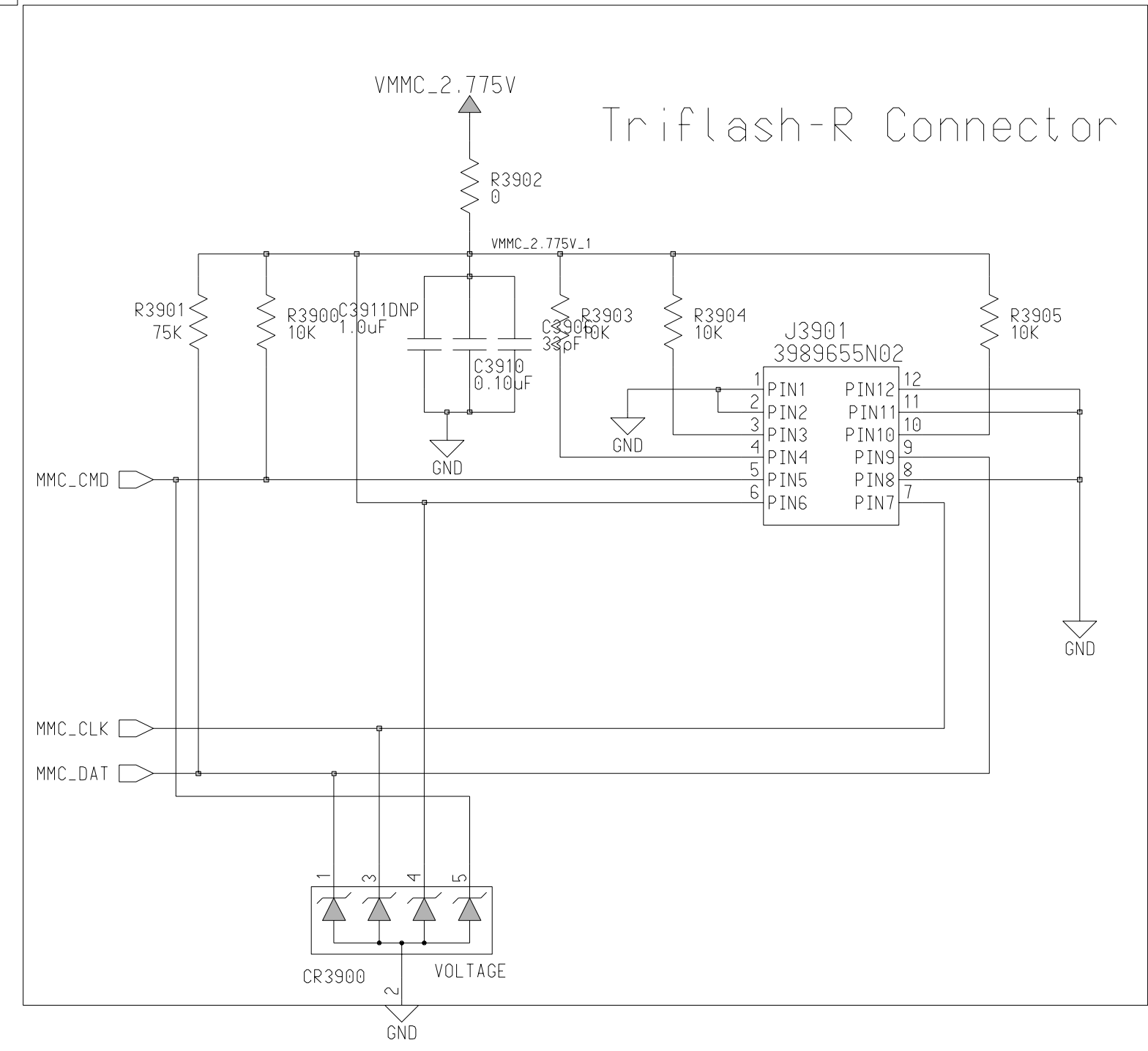
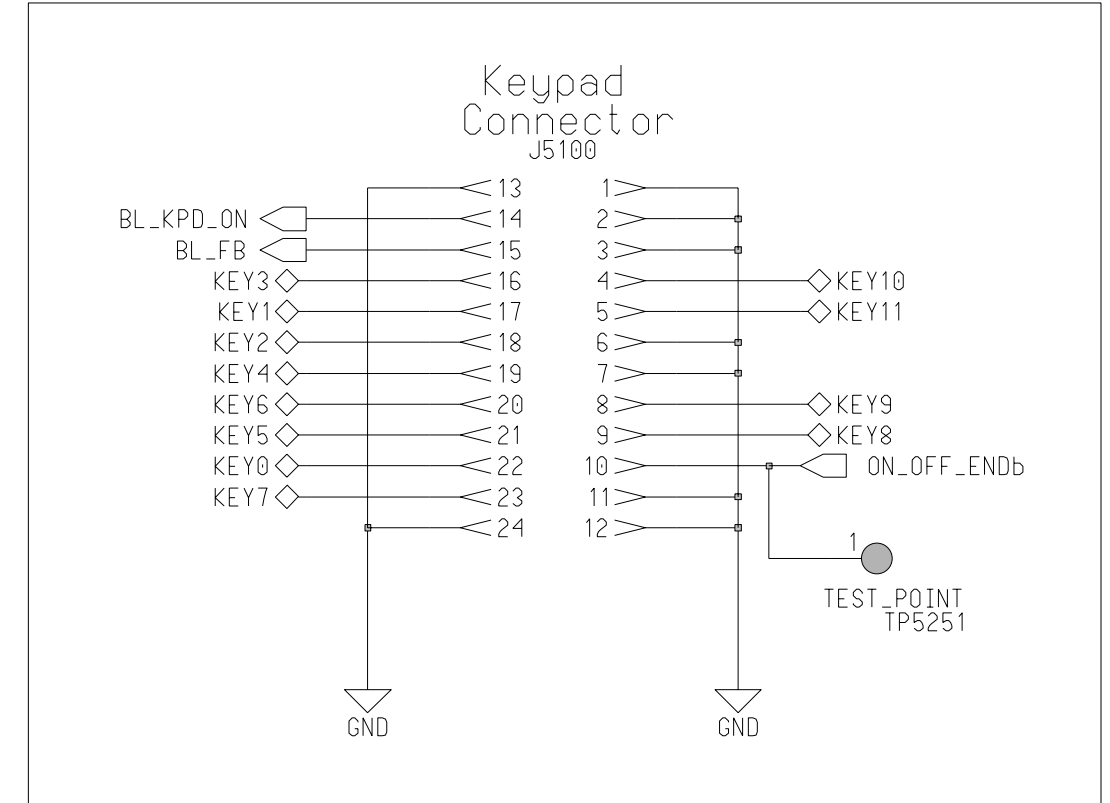
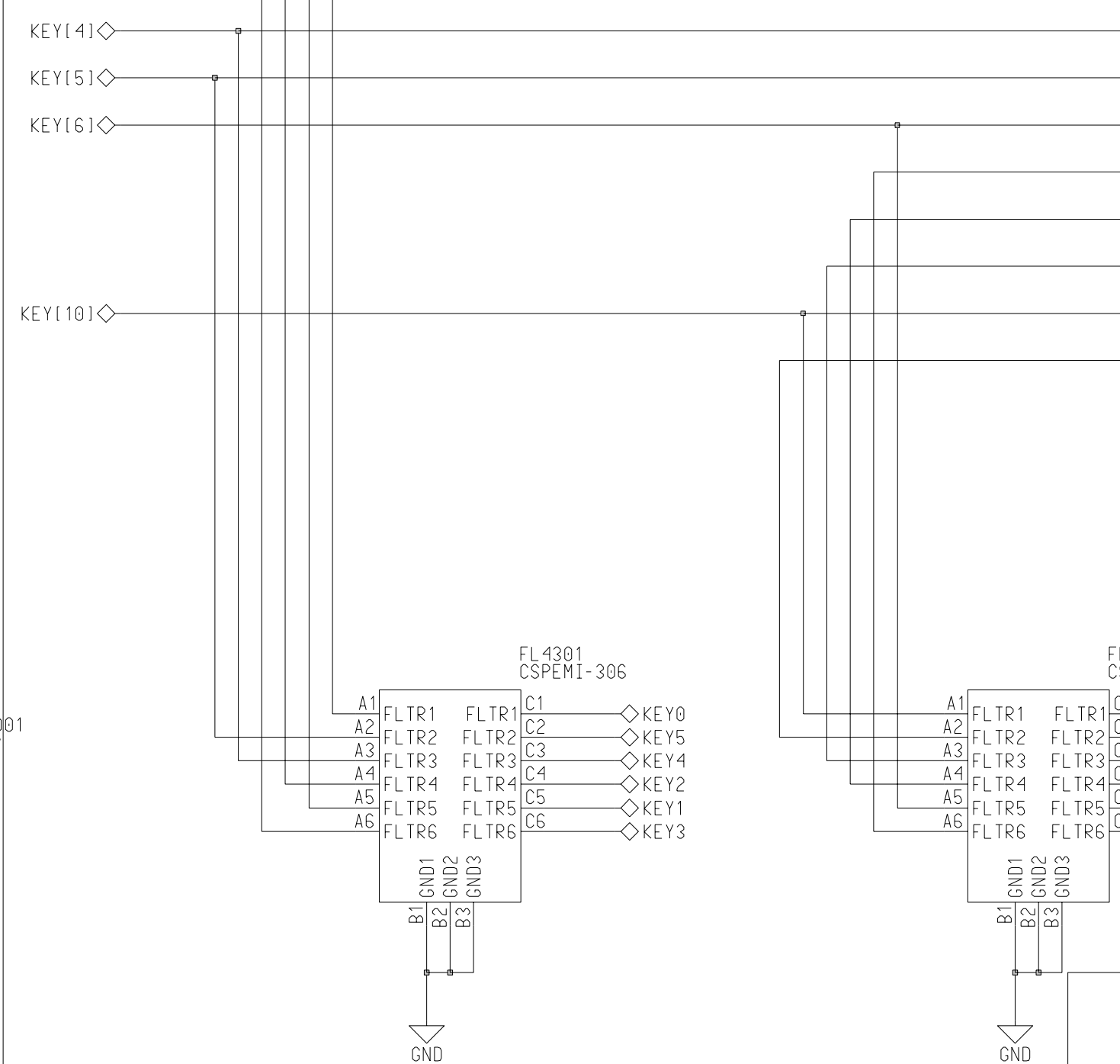
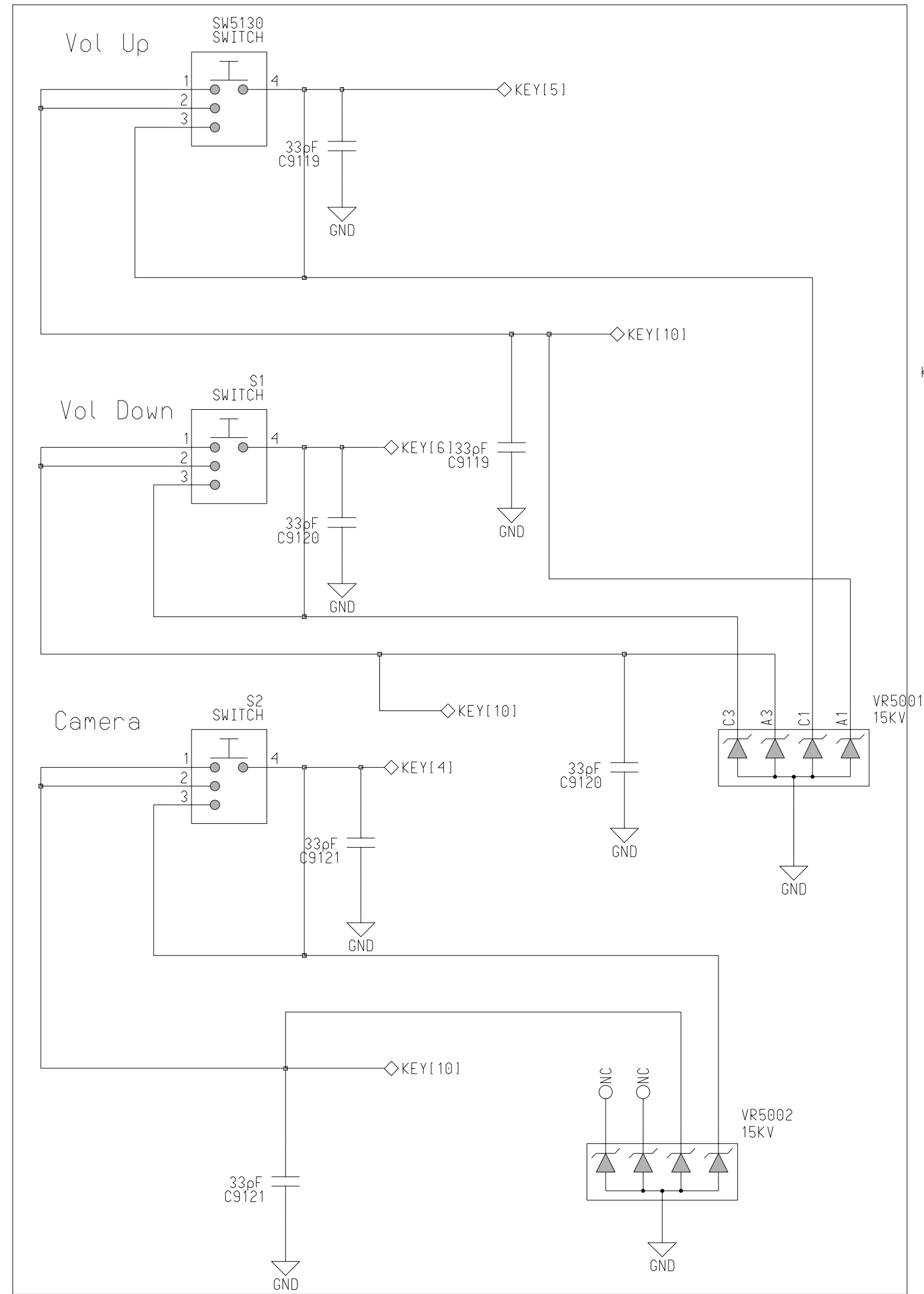
Engineer: Ed Naddeo	TITLE: Talon Integrated Flash Memory			Size: 11x21
Drawn by: Ed Naddeo				
R&D CHK:				
DOC CTRL CHK:				
MFG CTRL CHK:				
QA CHK:	REV: 0.1	Drawing Number:	Page: 1	Of: 1
Changed by: Chris Pipe	Date: Monday, May 6, 2002	Time: 9:32:29 am		



Engineer: Ed Naddeo	TITLE: E1000			Size: 11x21
Drawn by: Ed Naddeo	Core Logic			
R&D CHK:	REV: 1.0	Drawing Number: 8488888x88	Page: 1	OF: 1
DOC CTRL CHK:	Date: Friday, March 1, 2002			Time: 1:16:44 pm
MFG CTRL CHK:				
QA CHK:				
Changed by: wlen01				



Side Keys



- KEY[10] 0
- KEY[11] 1
- KEY[2] 2
- KEY[3] 3
- KEY[4] 4
- KEY[5] 5
- KEY[6] 6
- KEY[7] 7
- KEY[8] 8
- KEY[9] 9
- KEY[10] 10
- KEY[11] 11

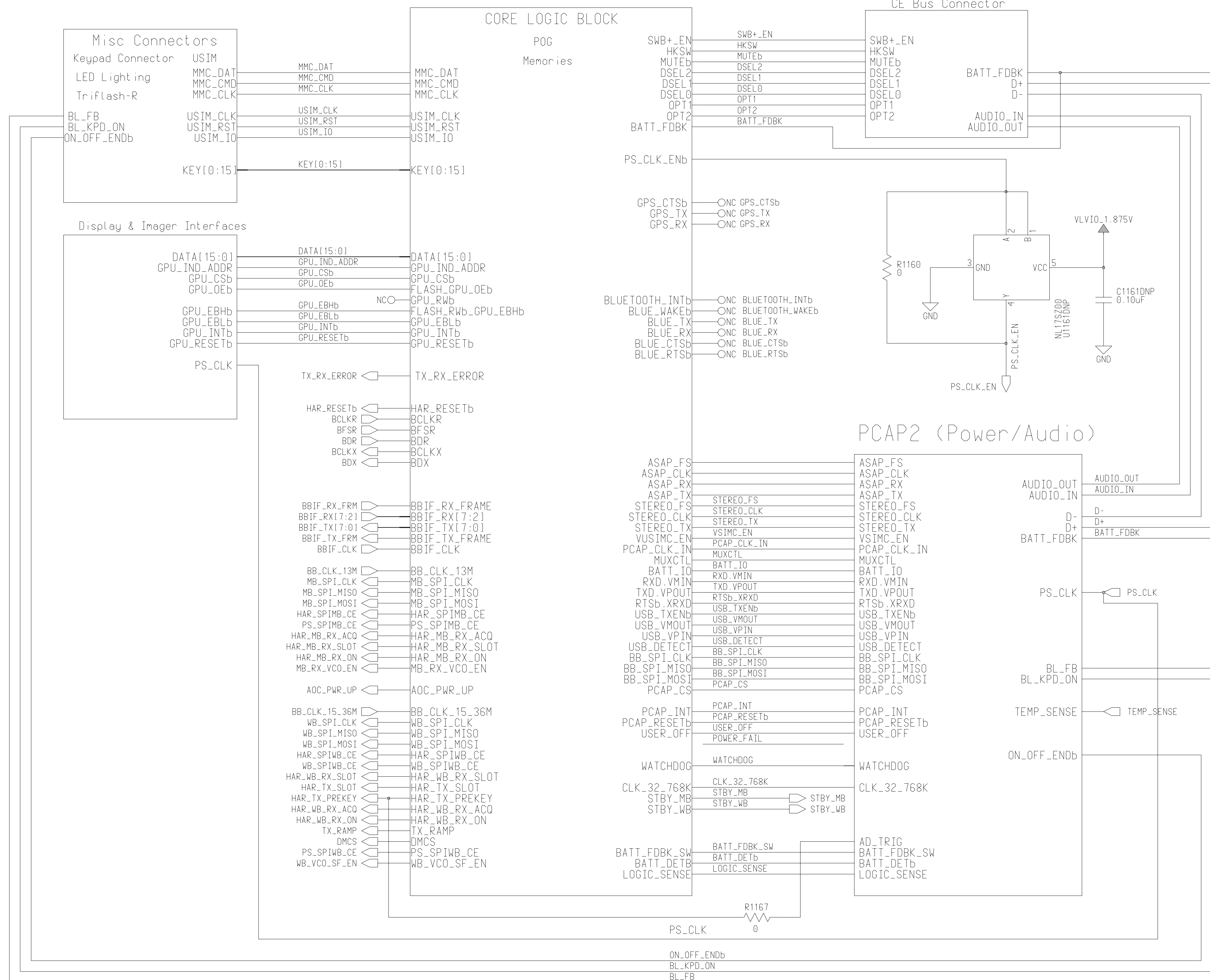
A
B
C
D

A

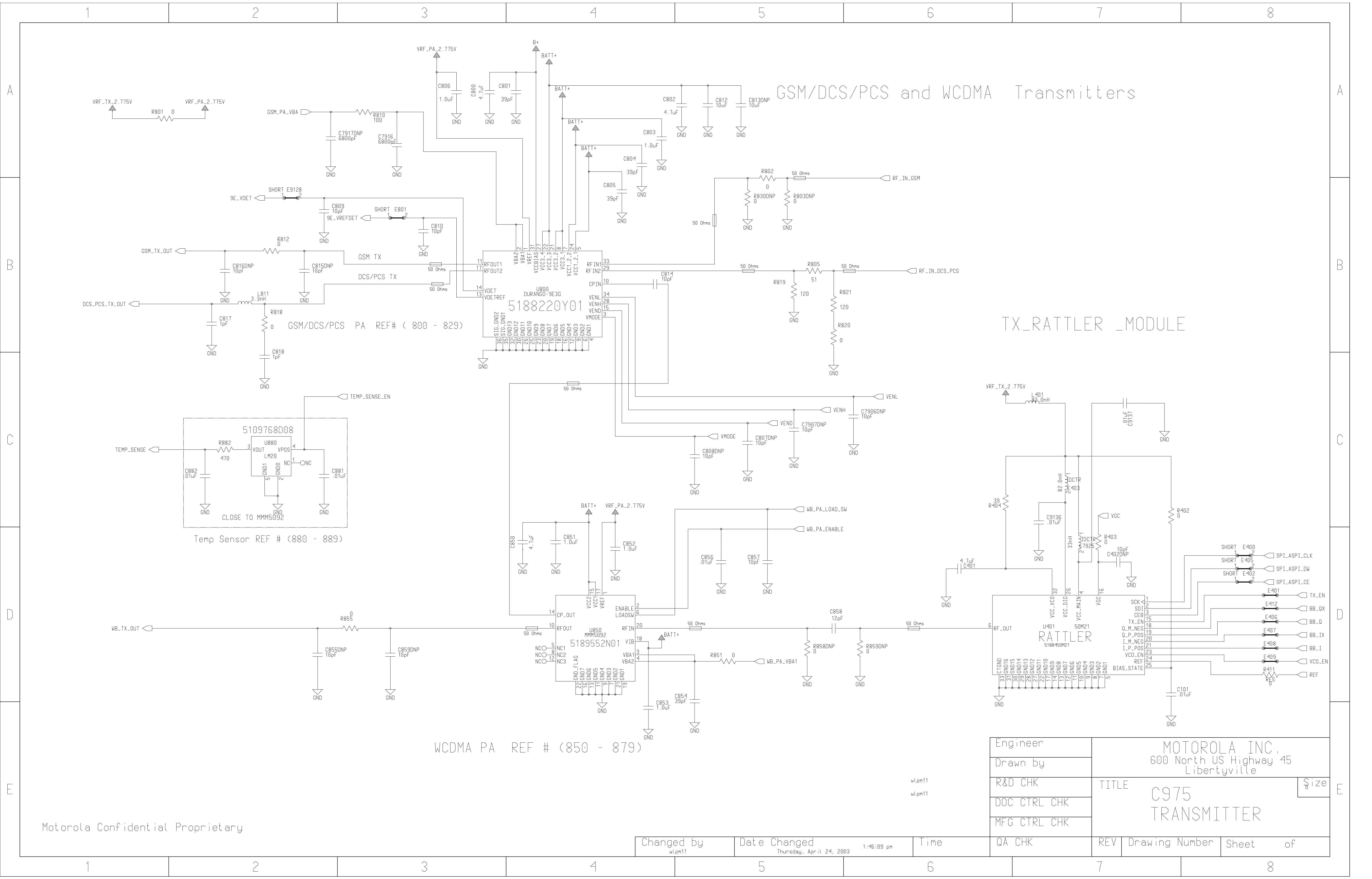
B

C

D



Engineer:			
Drawn by:	Fabrizio Filizzola		
R&D CHK:	TITLE: C975	Size:	11x17
DOC CTRL CHK:	Baseband Top Level		
MFG CTRL CHK:	REV:	Drawing Number:	Page:
QA CHK:	OF:		
Changed by:	Date:	Time:	
Fabrizio Filizzola	January 26, 2004		



GSM/DCS/PCS and WCDMA Transmitters

TX_RATTLER_MODULE

Temp Sensor REF # (880 - 889)

WCDMA PA REF # (850 - 879)

Engineer	MOTOROLA INC. 600 North US Highway 45 Libertyville		
Drawn by	TITLE C975 TRANSMITTER		
R&D CHK	QA CHK	REV	Size
DOC CTRL CHK	MFG CTRL CHK	Drawing Number	Sheet of

Changed by wlpn11	Date Changed Thursday, April 24, 2003	1:46:09 pm	Time
----------------------	--	------------	------

Motorola Confidential Proprietary

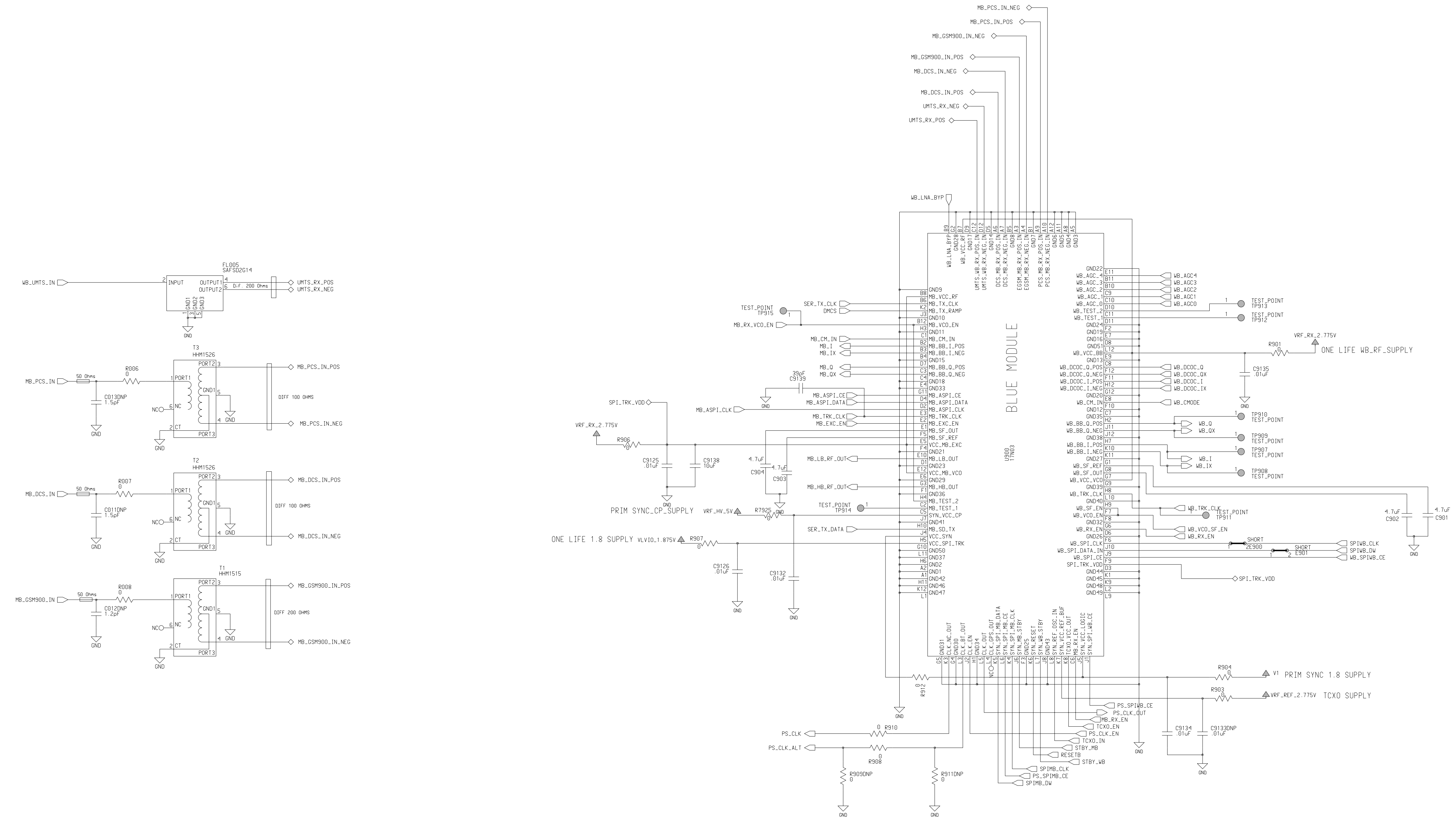
wlpn11
wlpn11

ORG. Blue Module

DO NOT DELETE

- WB_S0S2
- WB_S0S1
- WB_CP
- WB_VCO_FB
- WB_VCO_FB_X

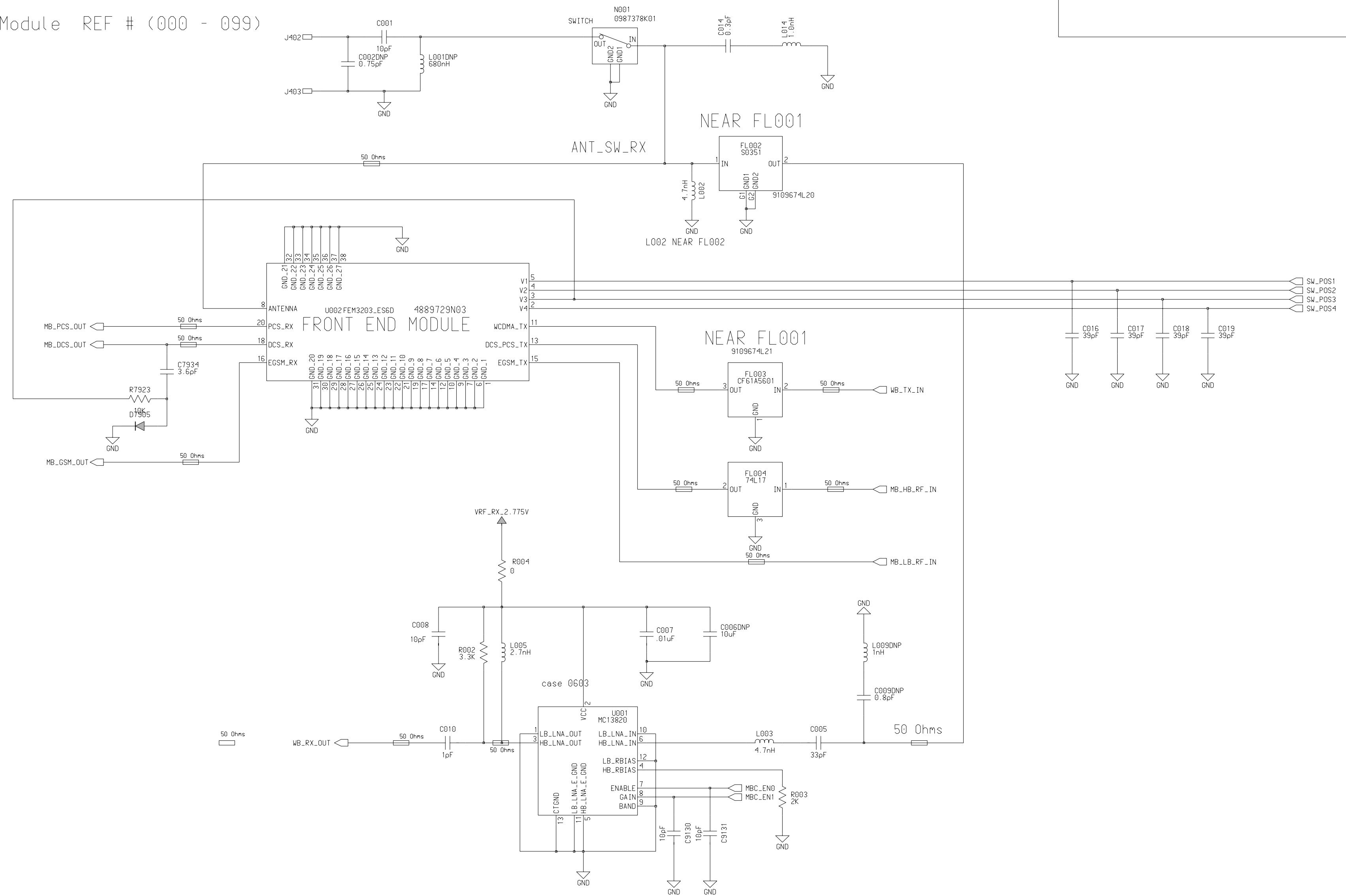
Tps for test_1 & test_2



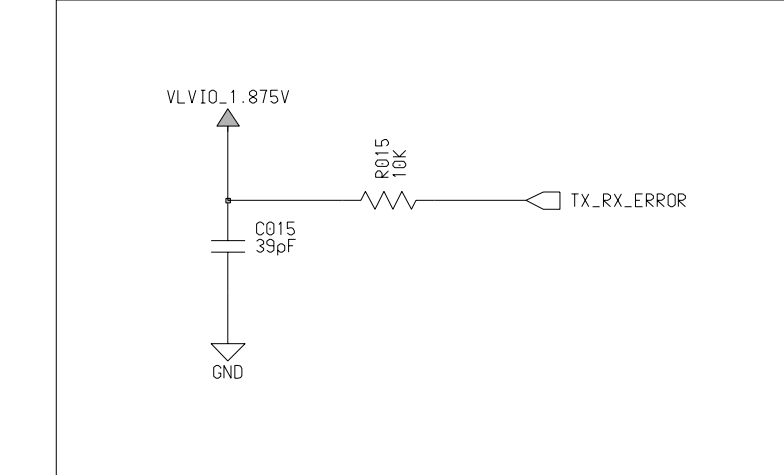
Engineer Chris Leyh	COMPANY NAME Address City		
Drawn by Chris Leyh			
R&D CHK	TITLE C975	Size D	
DOC CTRL CHK	Rx/Syn		
MFG CTRL CHK			
QA CHK	REV 1.0	Drawing Number	Sheet of

Changed by ccl003 Date Changed Thursday, April 10, 2003 Time 9:50:27 am

Front End Module REF # (000 - 099)



To be placed closed to P0G



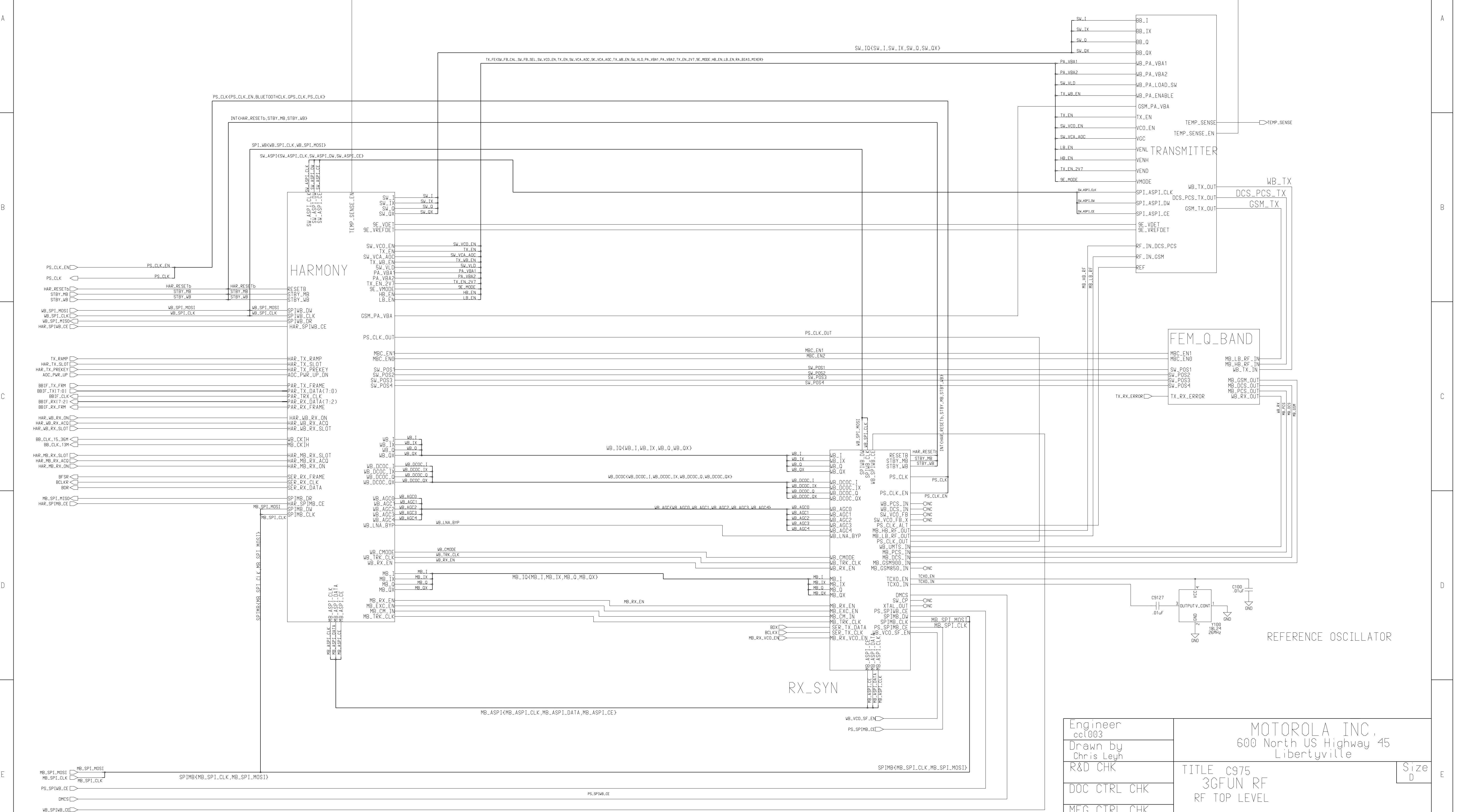
Engineer Chris Leyh	MOTOROLA INC. 600 North US Highway 45 Libertyville		Size D
Drawn by ccl003			
R&D CHK	TITLE C975		
DOC CTRL CHK	Quad Band Front End Module		
MFG CTRL CHK			
QA CHK	REV 1	Drawing Number	Sheet of

Changed by ccl003 Date Changed Thursday, April 17, 2003 Time 8:25:56 am

REV 1 Drawing Number Sheet of

TEMP_SENSE_EN

SW_1Q{SW_1, SW_1X, SW_0, SW_0X}



Engineer ccl003	MOTOROLA INC. 600 North US Highway 45 Libertyville		Size D
Drawn by Chris Leyh			
R&D CHK	TITLE C975 3GFUN RF RF TOP LEVEL	REV	Sheet of
DOC CTRL CHK		Drawing Number	
MFG CTRL CHK			
QA CHK			

Changed by
ccl003

Date Changed
Friday, February 28, 2003

Time

REV

Drawing Number

Sheet of

MOTOROLA CONFIDENTIAL PROPRIETARY

4 1 3 A

Engineer: Ed Naddeo			
Drawn by: Ed Naddeo			
R&D CHK:	TITLE: Talon Integrated	Size: 11x17	
DOC CTRL CHK:	POG		
MFG CTRL CHK:	Power		
QA CHK:	REV: 1	Drawing Number: 8488888x88	Page: 1 Of: 4
Changed by: wlen01	Date: Tuesday, February 26, 2002	Time: 2:56:17 pm	

