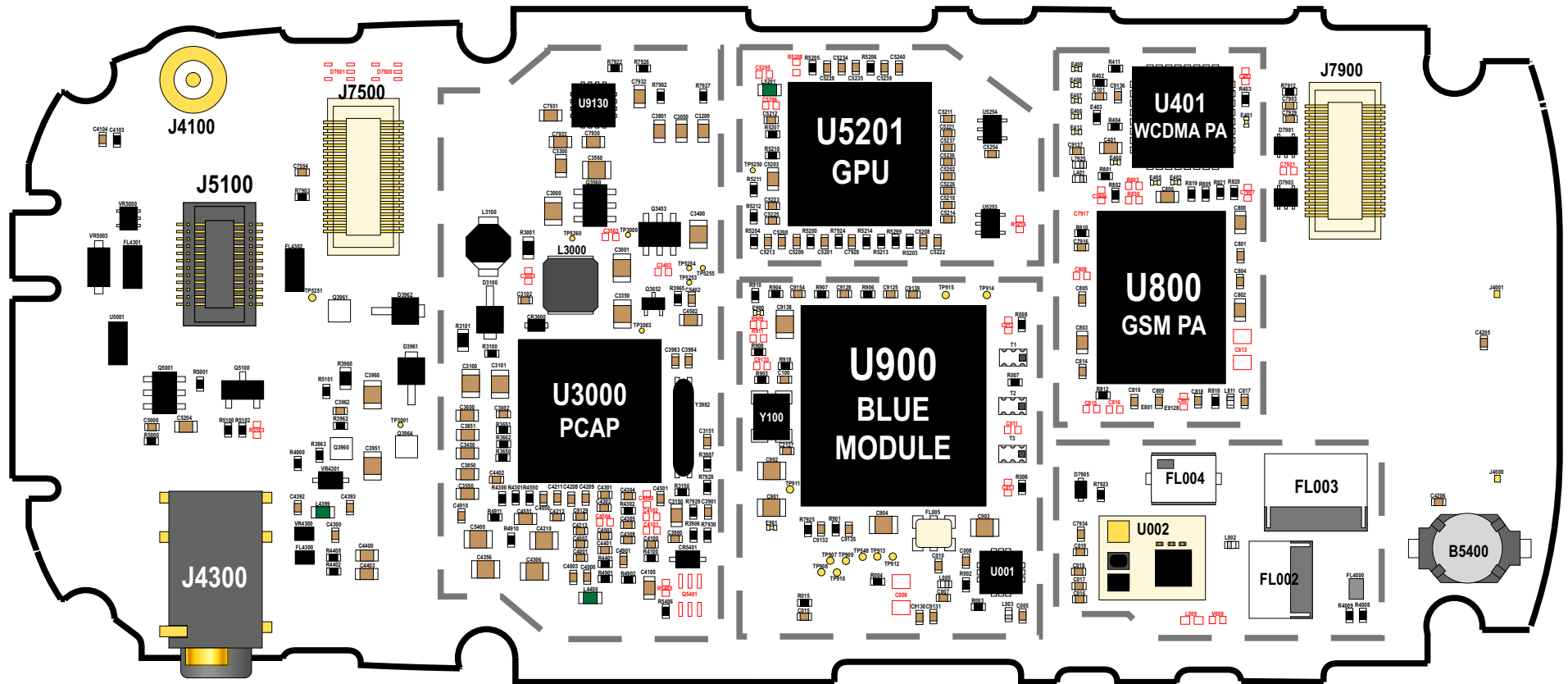


C975: Layout Side 1

PCB: 8403671B10 Iss. 0



C975: Layout Side 2

PCB: 8403671B10 Iss. 0

