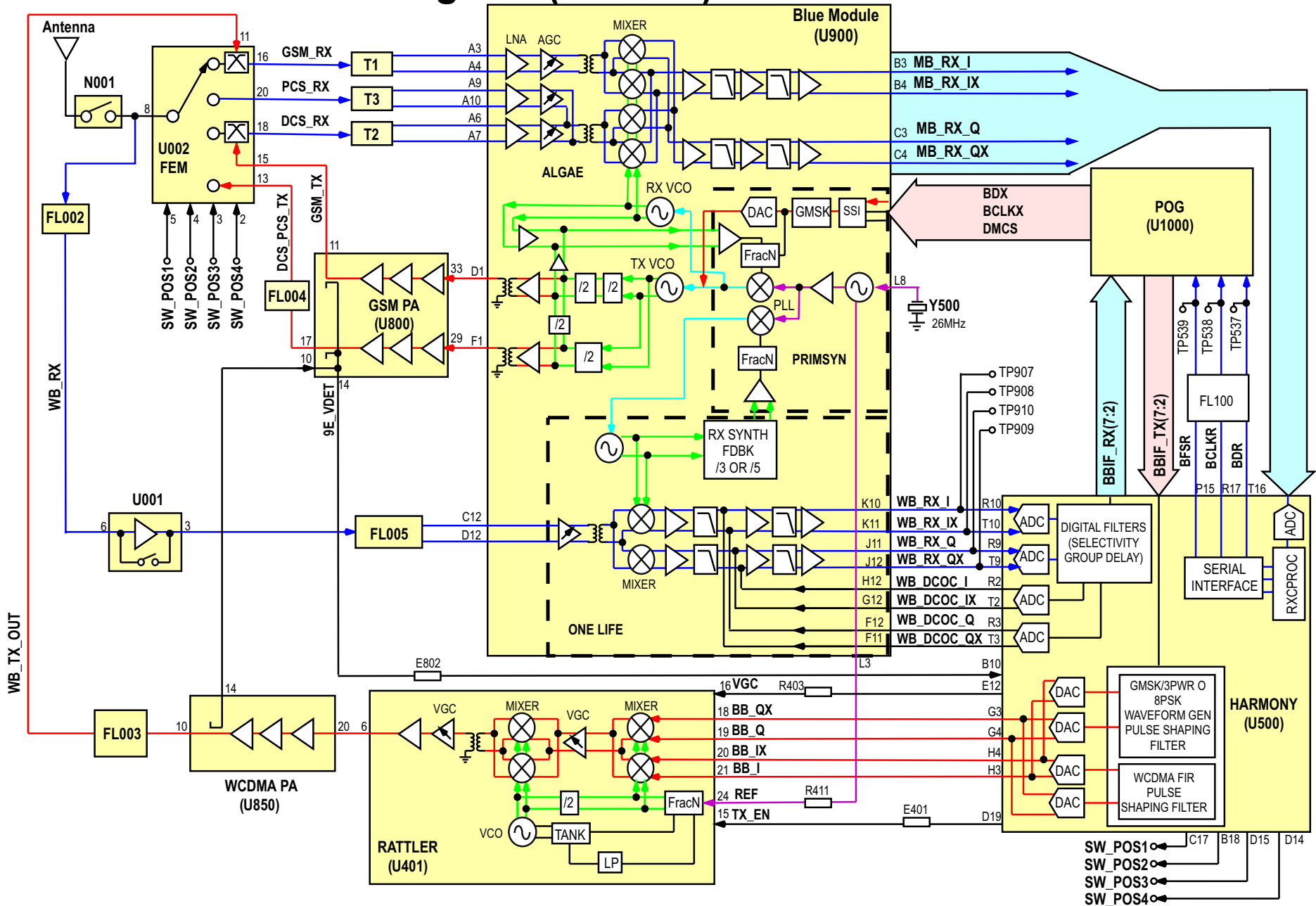


C975/980: RF Block Diagram (Rev 1.2) PCB: 8403671B10 Iss A



Motorola Confidential Proprietary