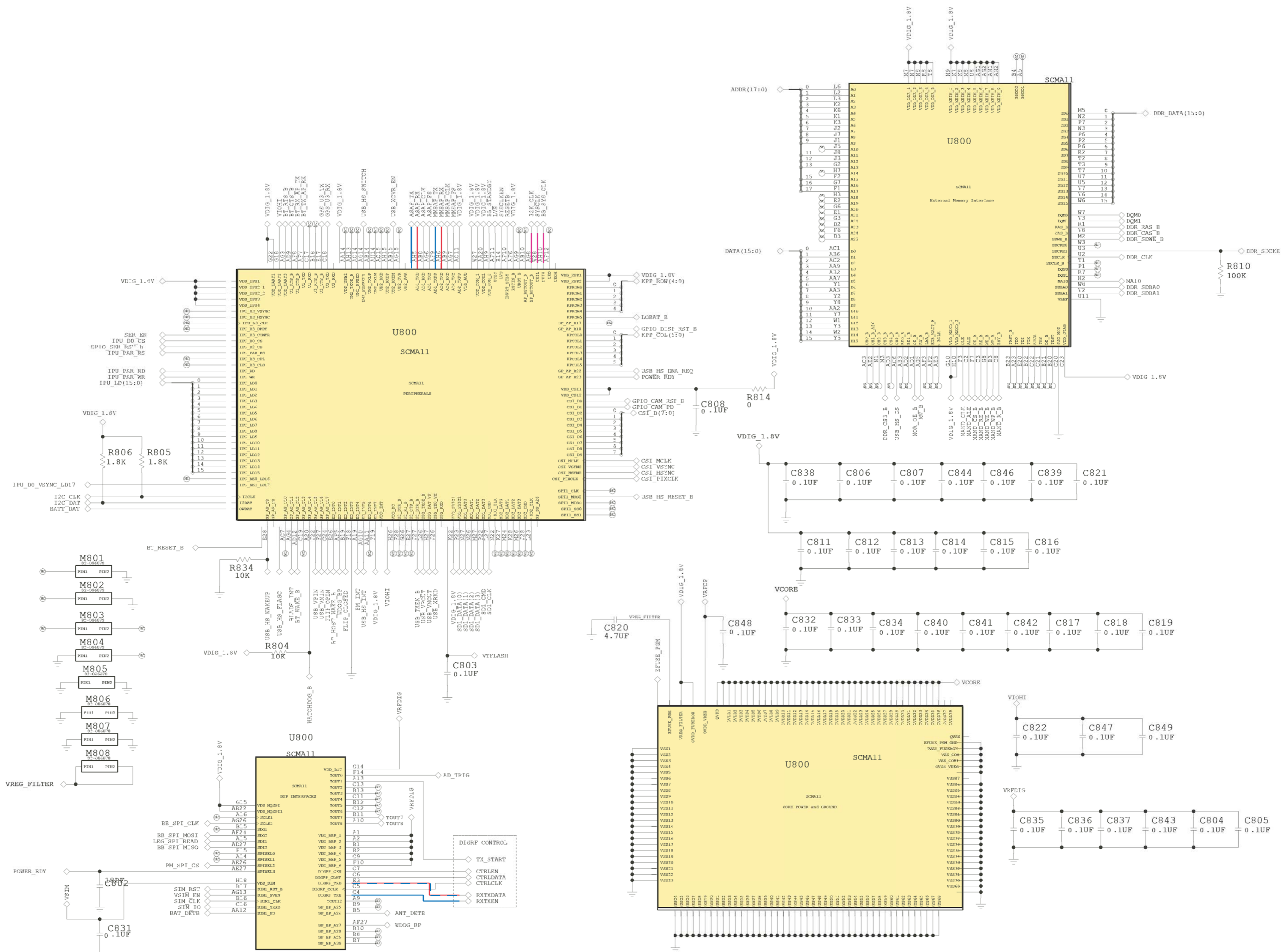
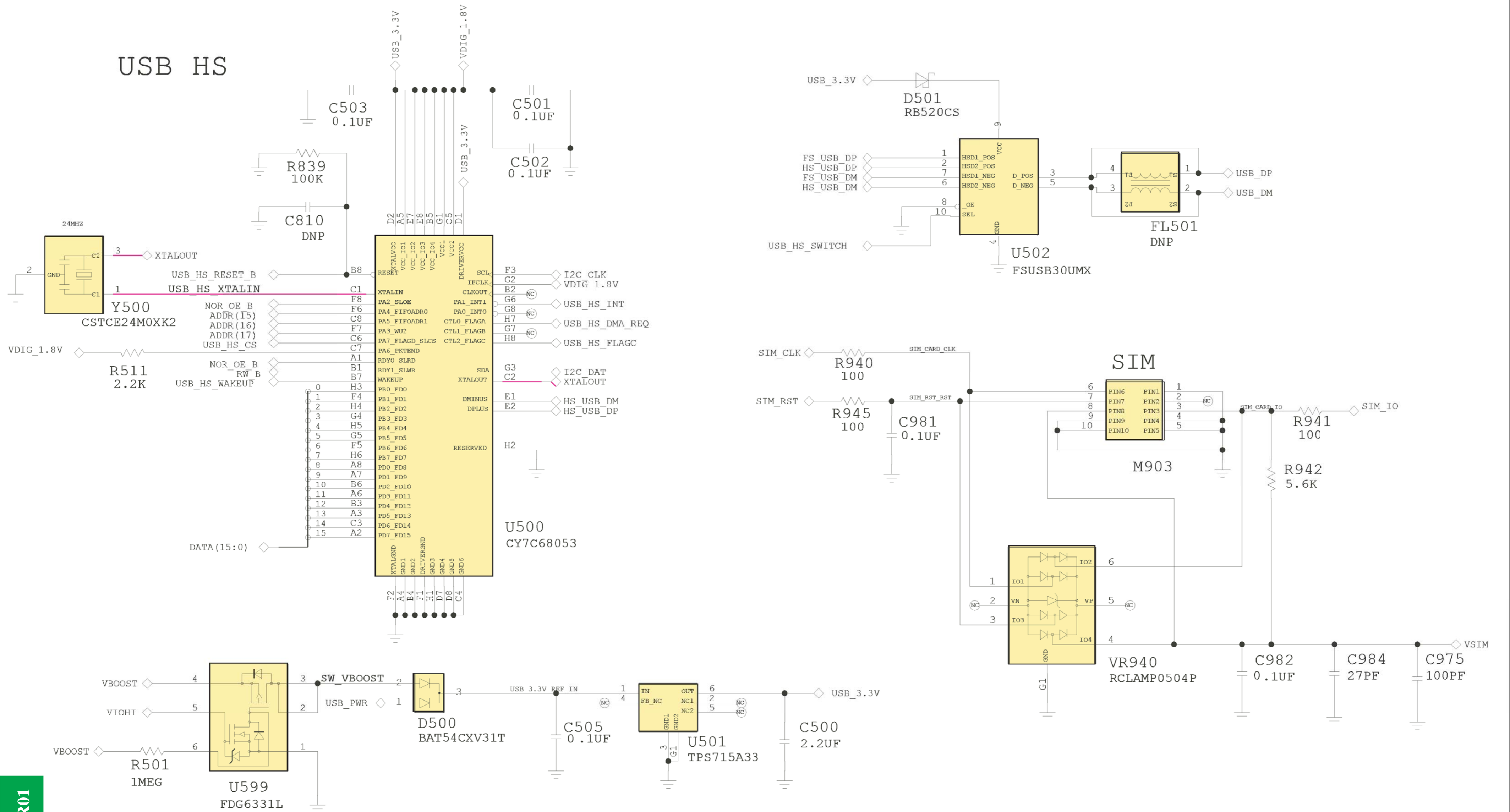


Repair Optimization Service Training	2008.11.20
Level 3 Schematics	Rev. 1.0
Aura Schematics	8471834R01
	Page 1 of 8



Repair Optimization Service Training	2008.11.20
Level 3 Schematics	Rev. 1.0
Aura Schematics	8471834R01
	Page 2 of 8

USB HS

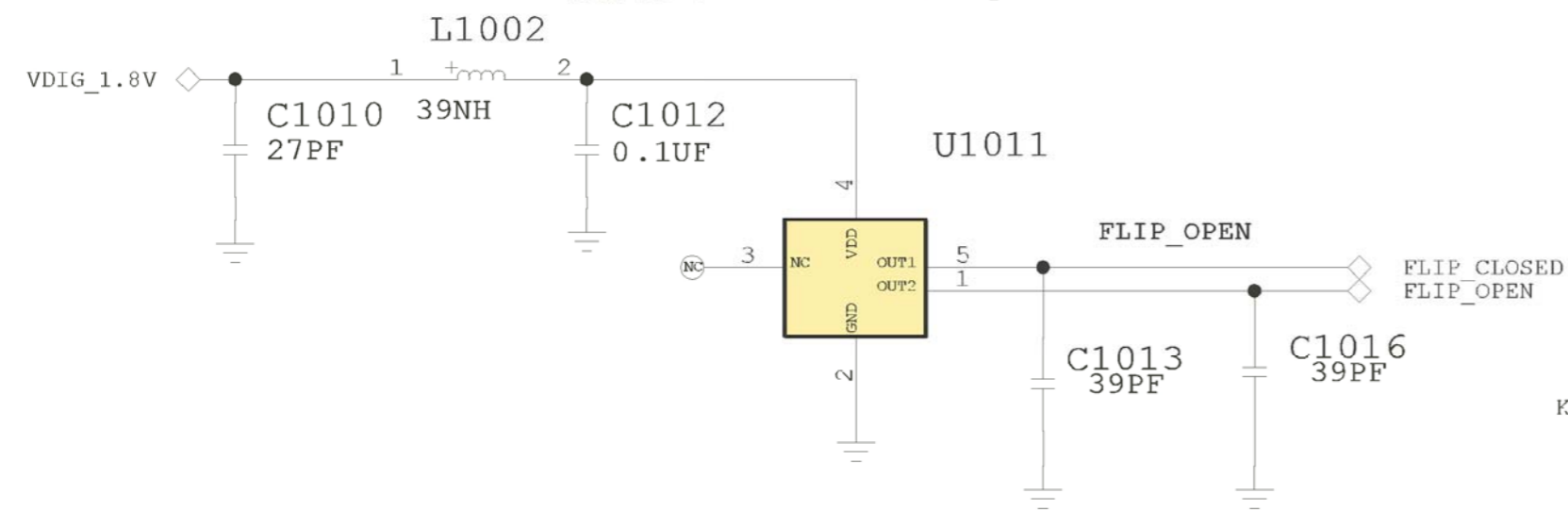


Aura_8471834R01

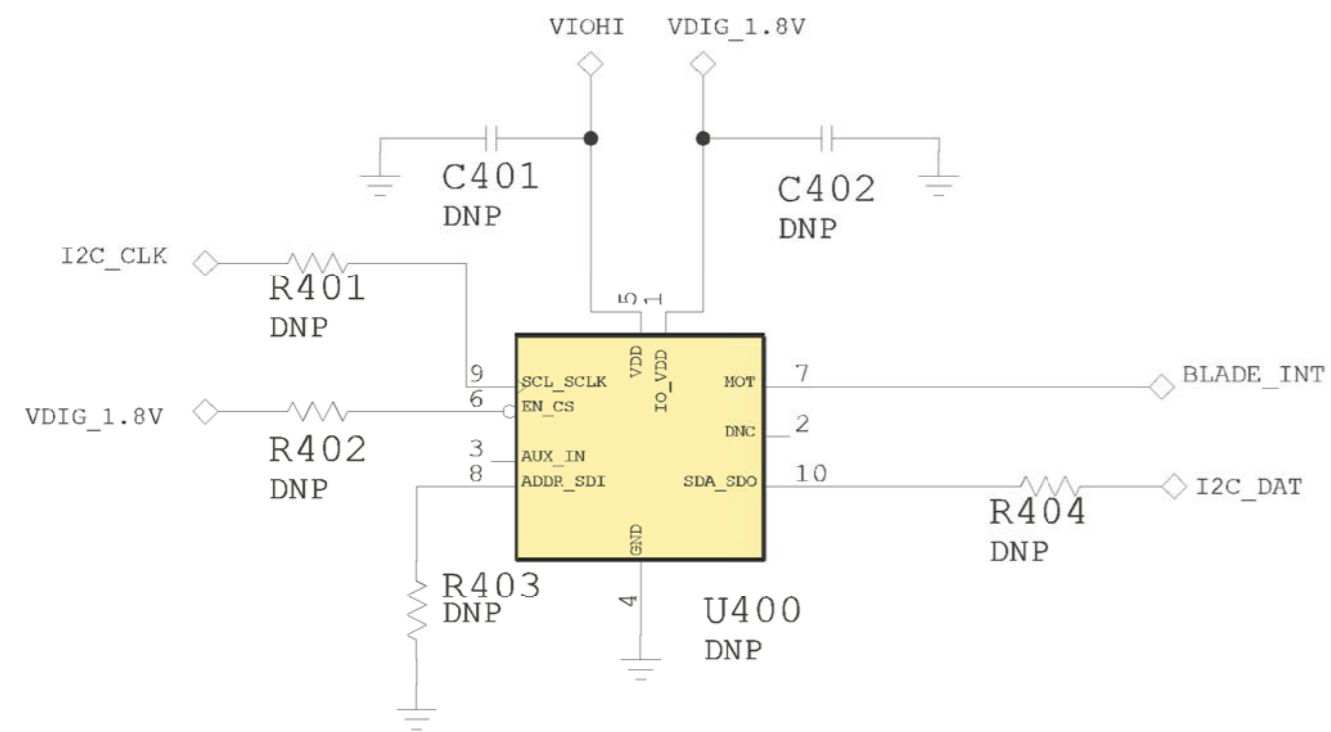
Repair Optimization Service Training
Level 3 Authorized

Repair Optimization Service Training	2008.11.20
Level 3 Schematics	Rev. 1.0
Aura Schematics	8471834R01
	Page 3 of 8

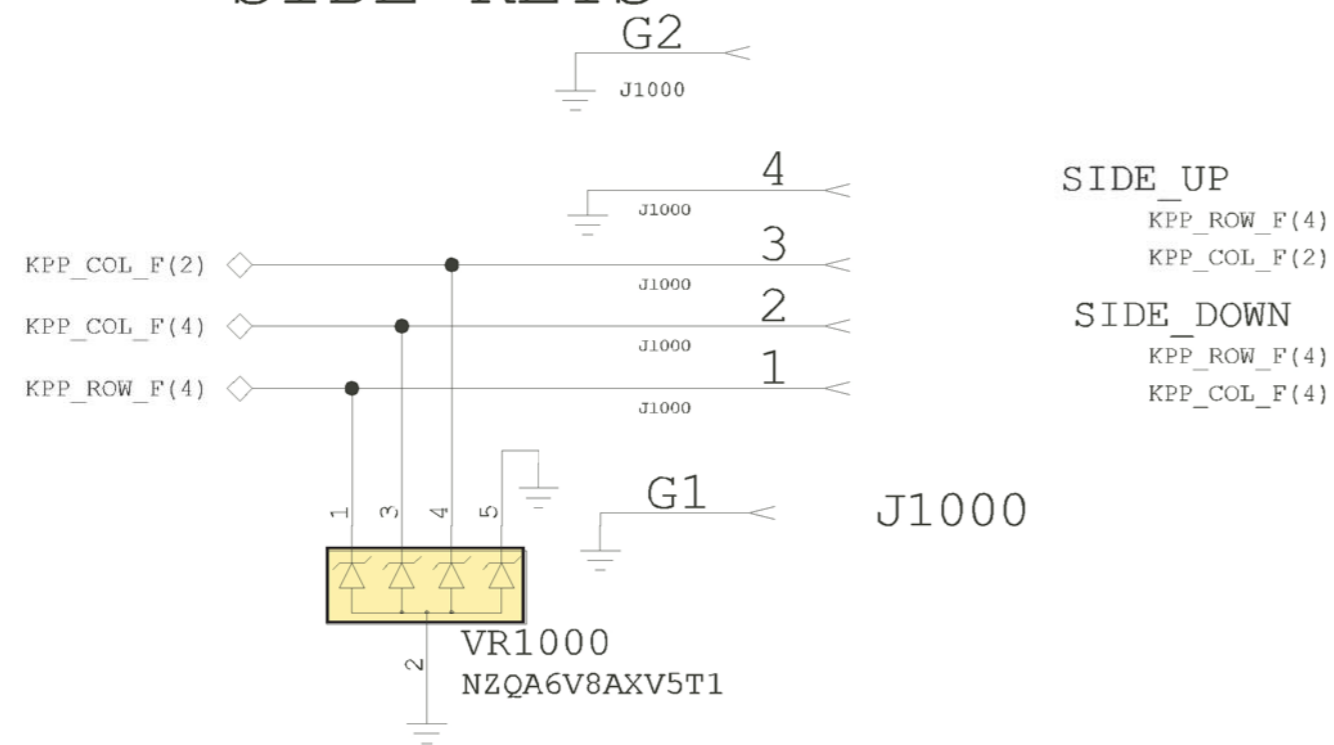
HALL-EFFECT



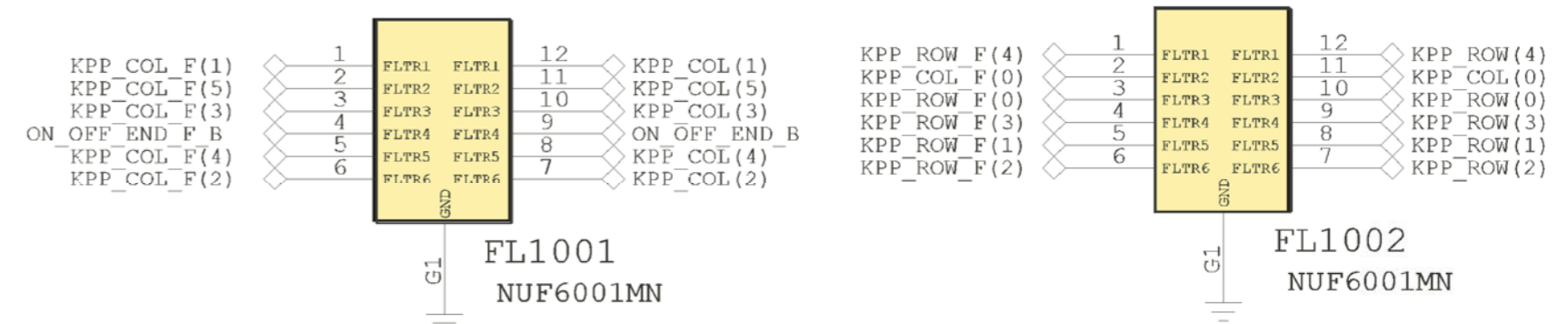
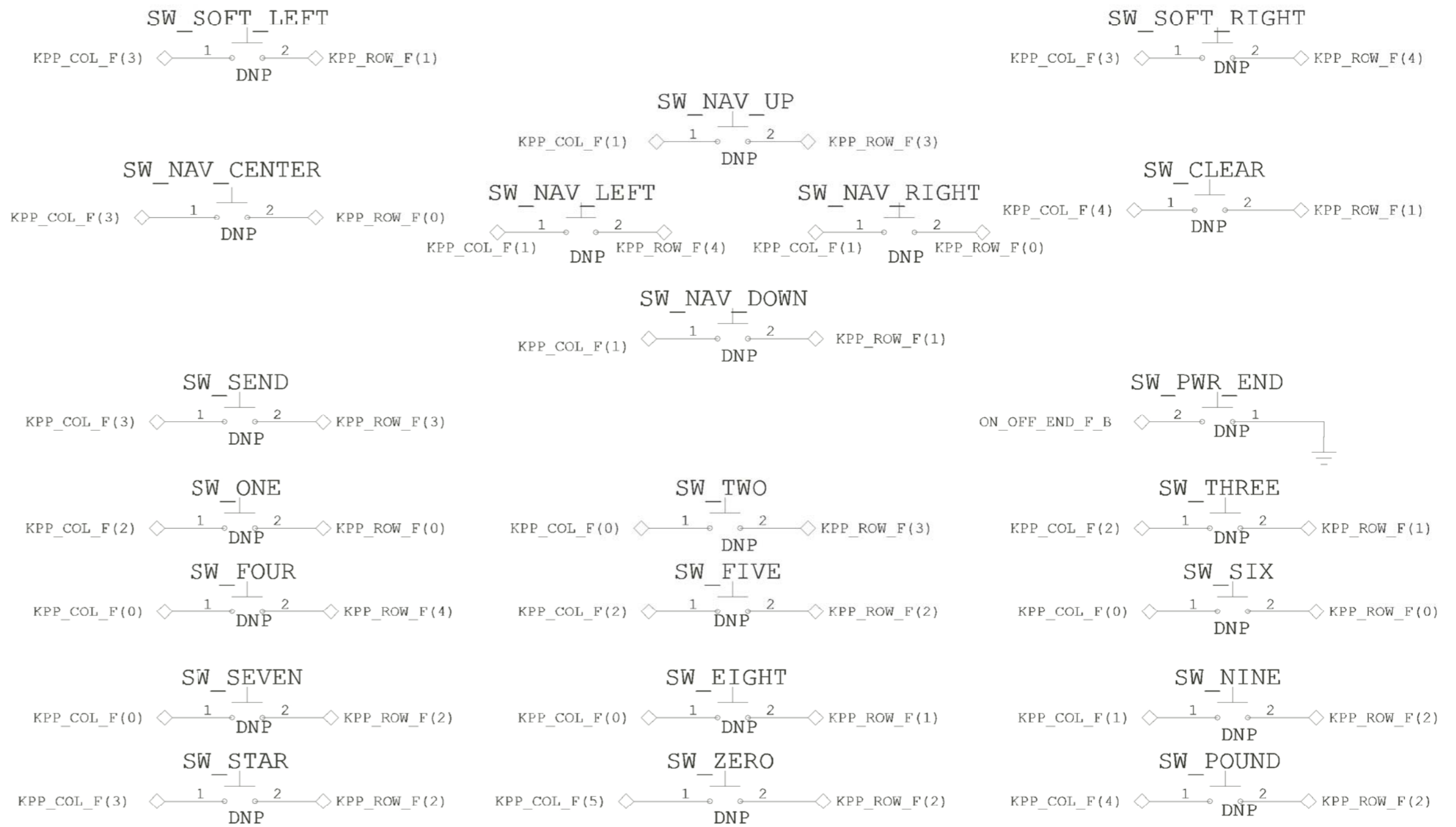
ACCELEROMETER



SIDE KEYS



KEYPAD



Aura_8471834R01

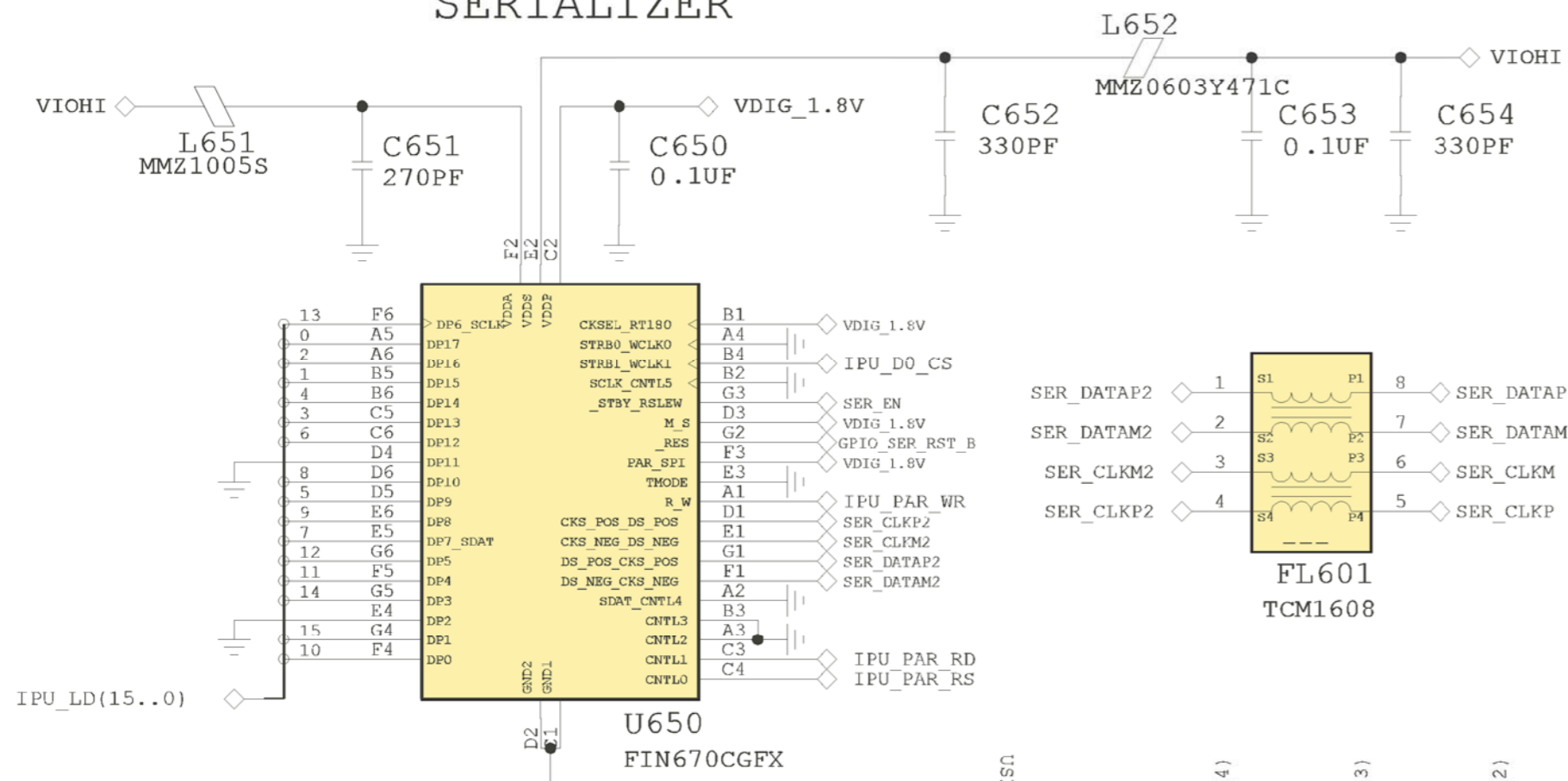
Repair Optimization
Service Training
Level 3 Authorized

Repair Optimization Service Training	2008.11.20
Level 3 Schematics	Rev. 1.0
Aura Schematics	8471834R01
	Page 4 of 8

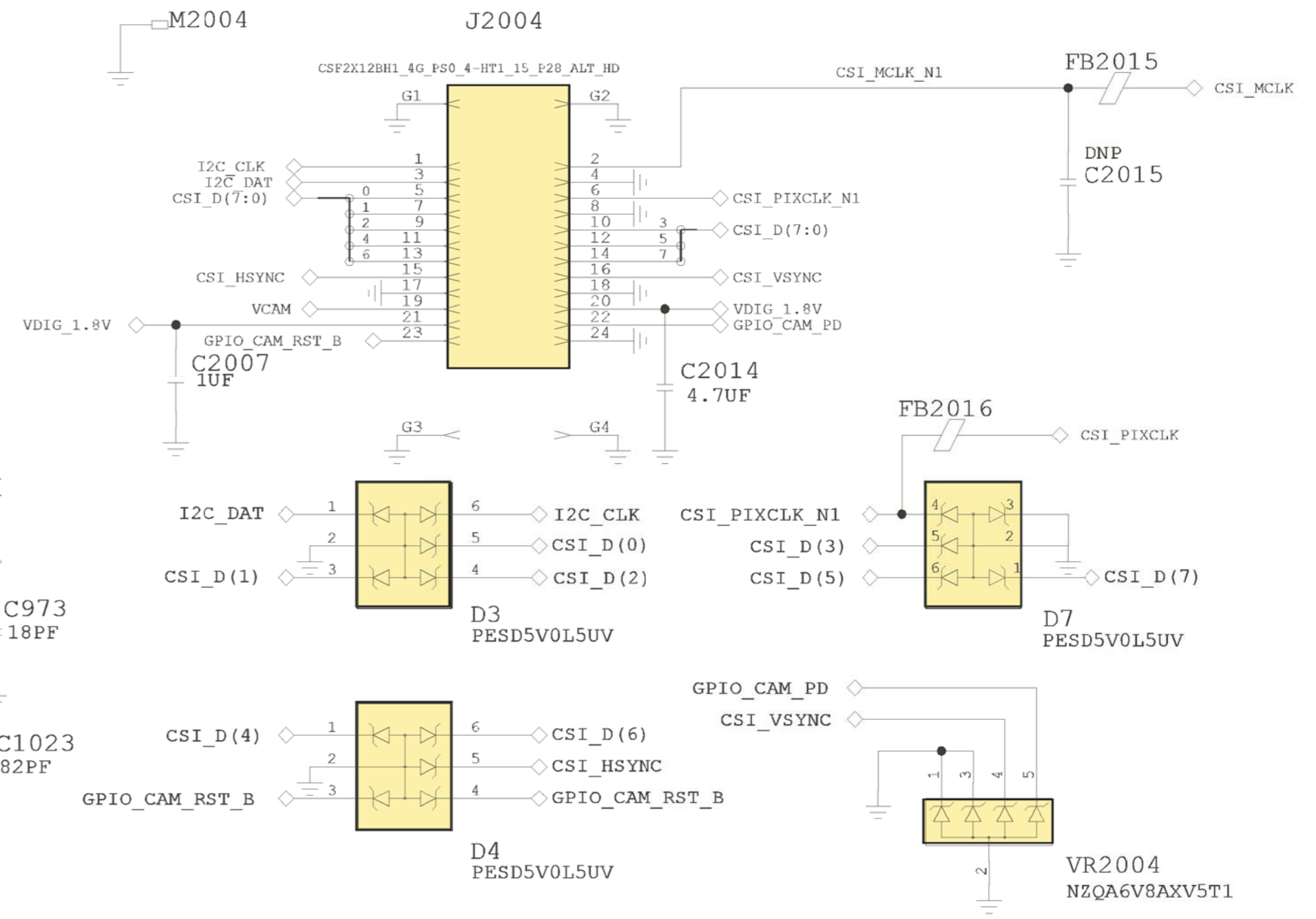
MOTOROLA CONFIDENTIAL RESTRICTED

KEYPAD

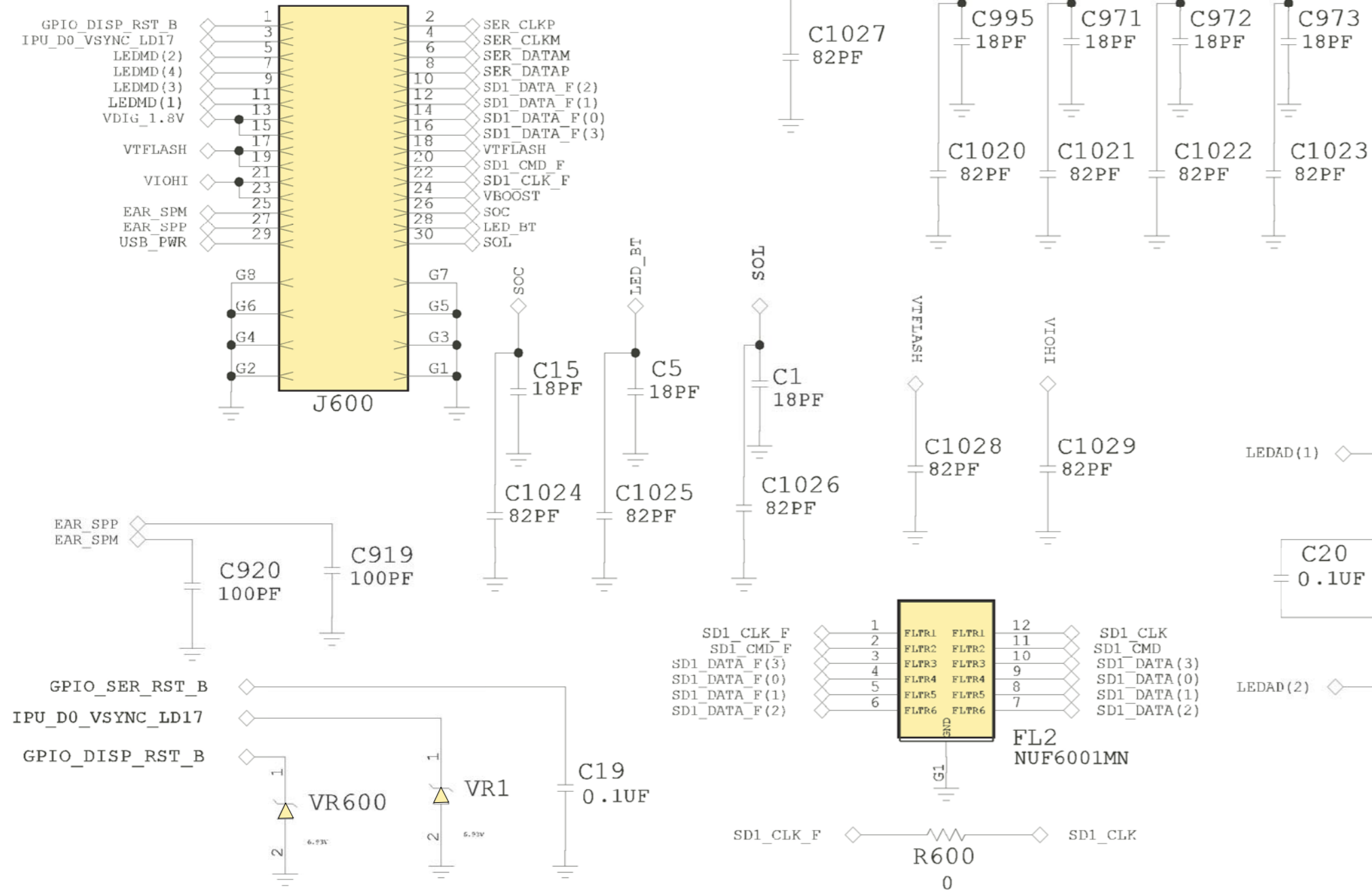
SERIALIZER



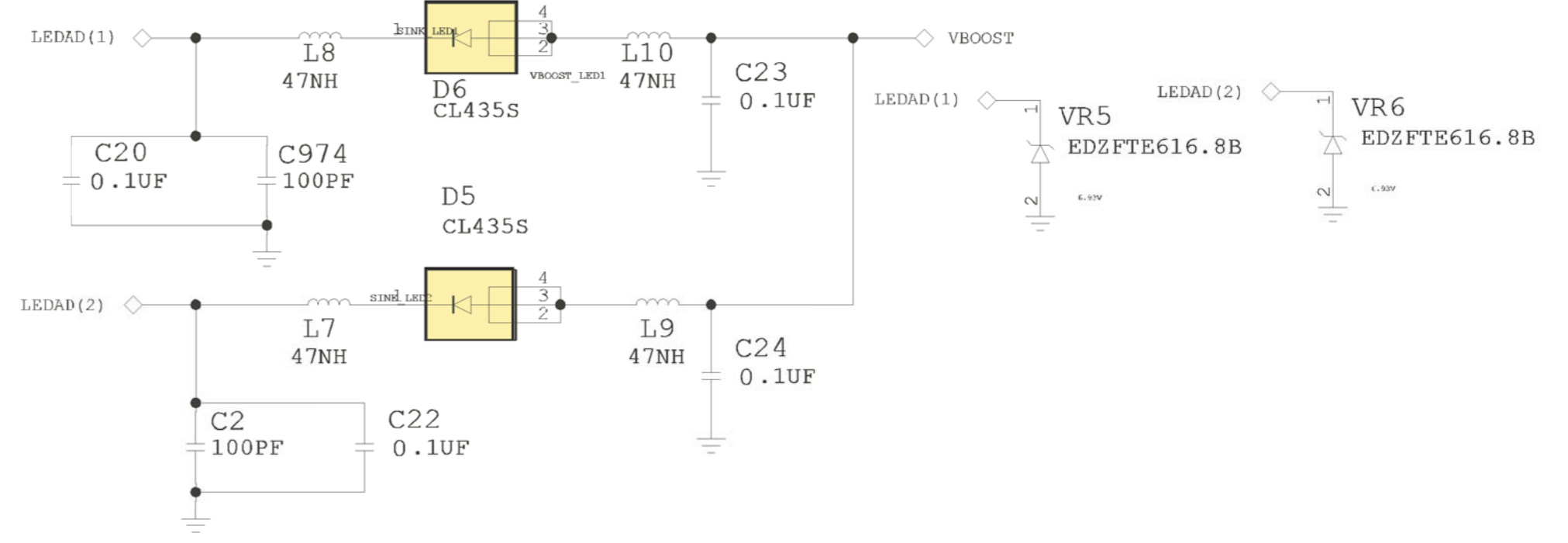
CAMERA MODULE



MICRO COAX CONNECTOR



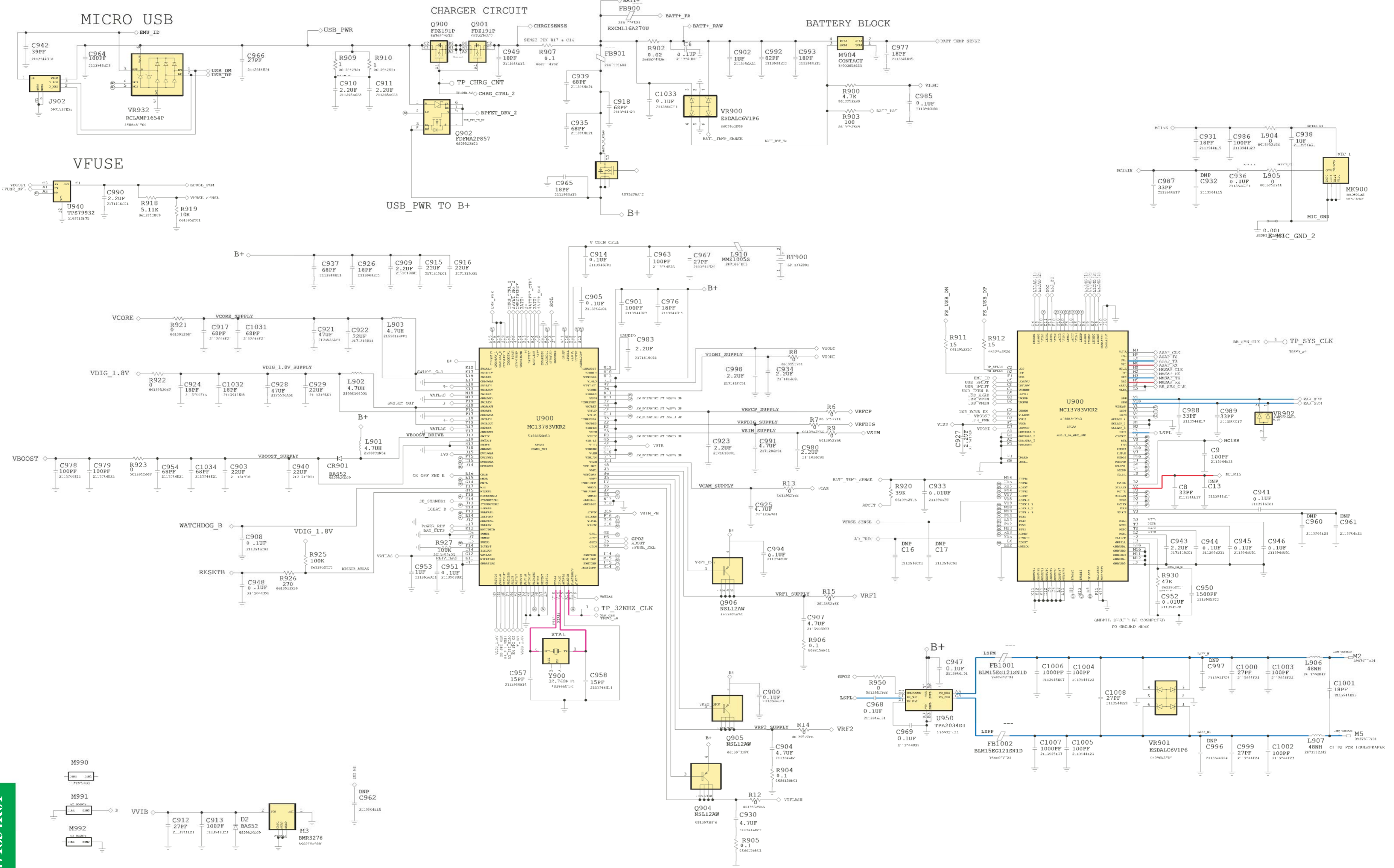
KEYPAD BACKLIGHT

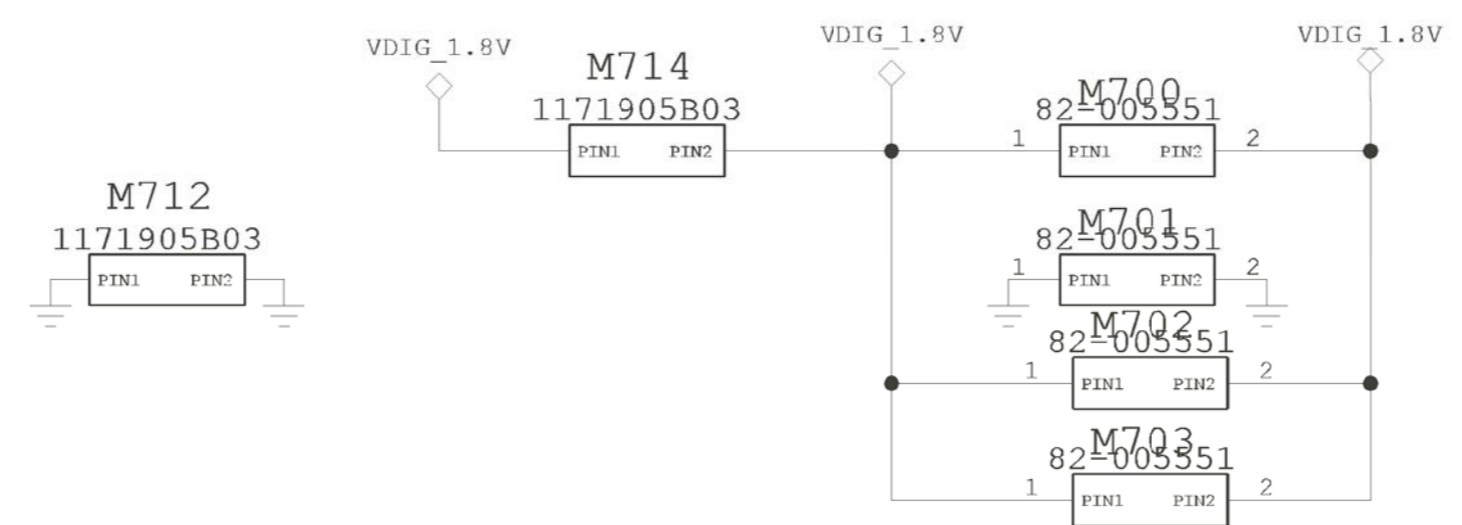
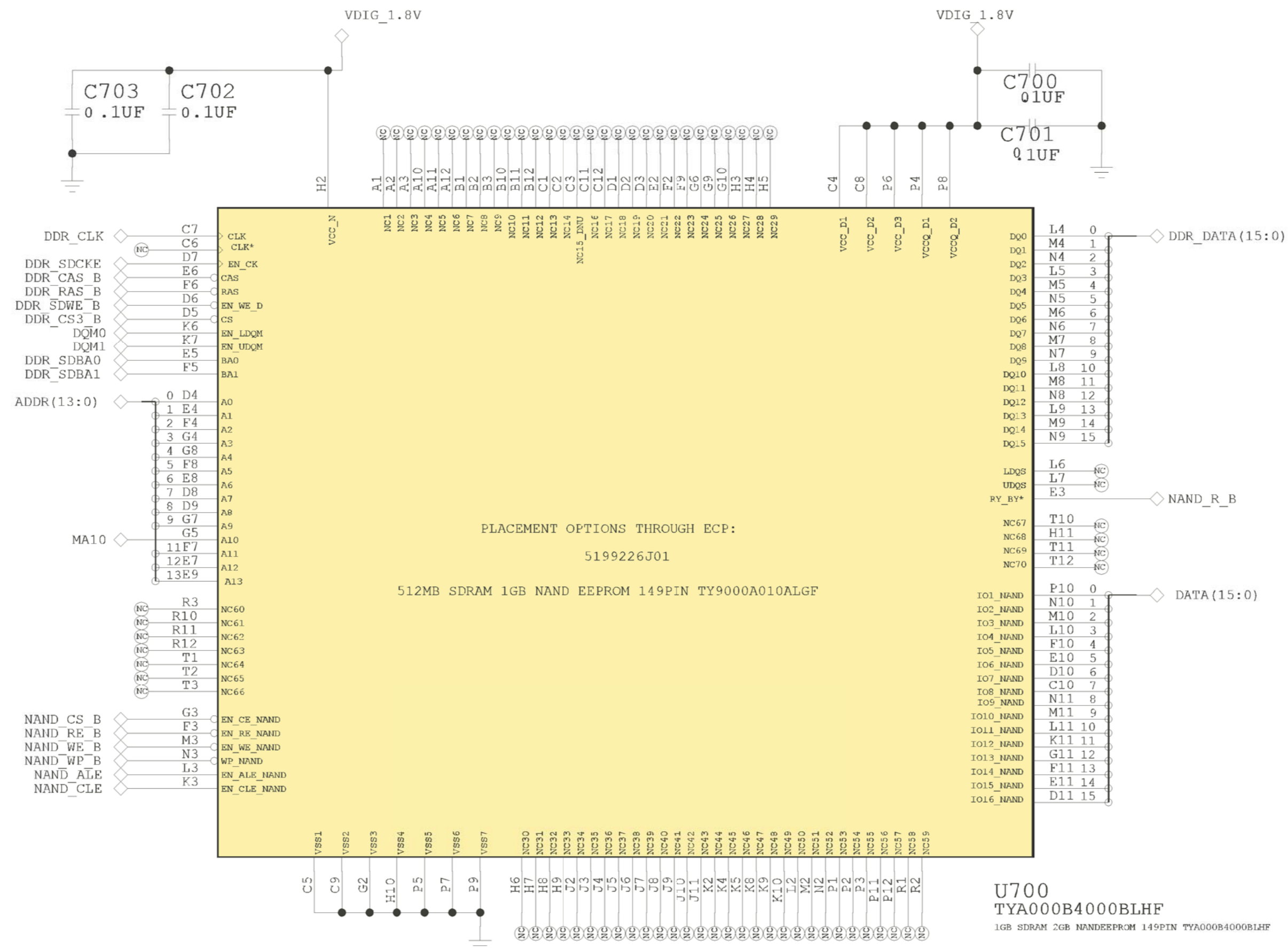


Aura_8471834R01



Repair Optimization Service Training	2008.11.20
Level 3 Schematics	Rev. 1.0
Aura Schematics	8471834R01
	Page 5 of 8



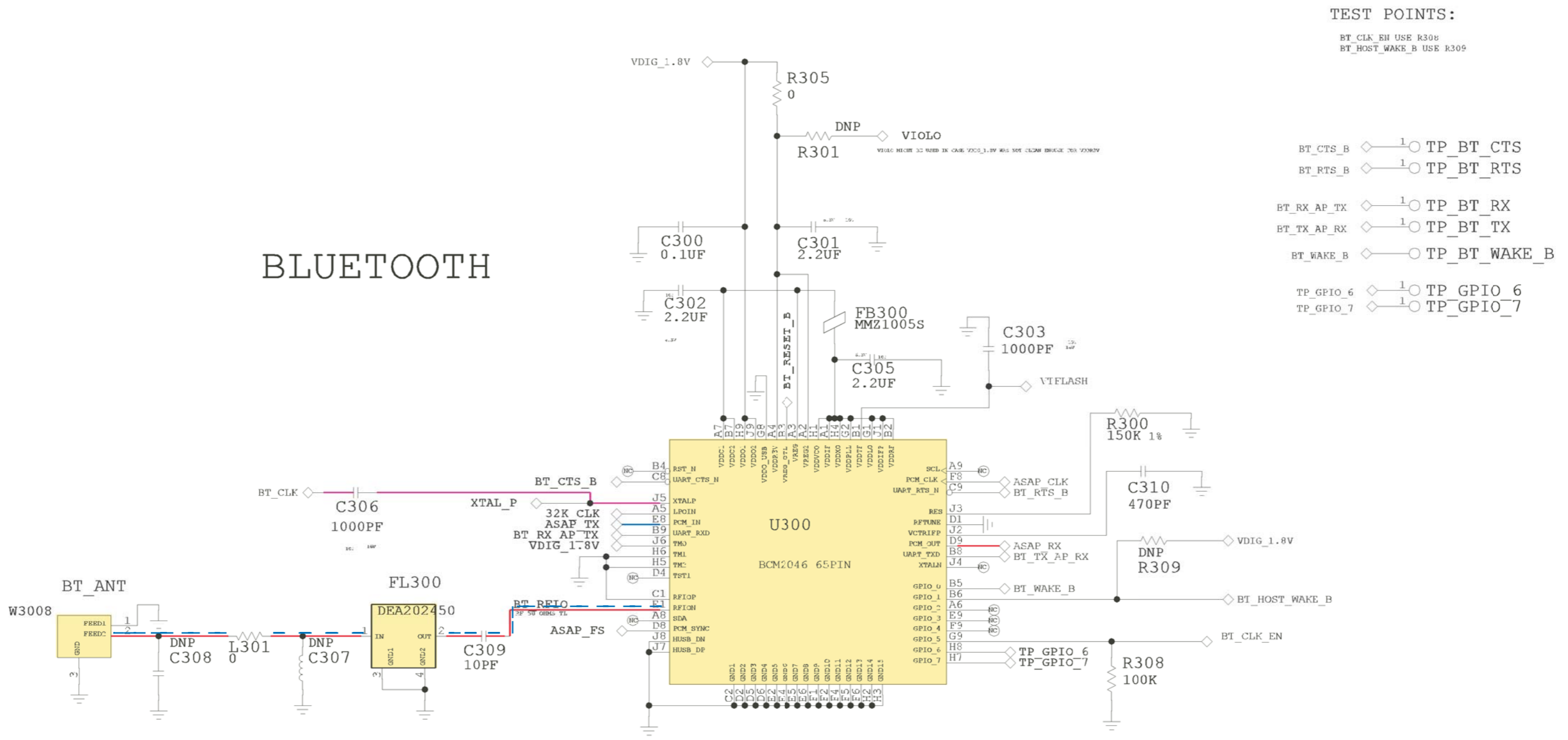


U700
TYA000B4000BLHF
1GB SDRAM 2GB NAND EEPROM 149PIN TYA000B4000BLHF



Repair Optimization Service Training	2008.11.20
Level 3 Schematics	Rev. 1.0
Aura Schematics	8471834R01
	Page 7 of 8

BLUETOOTH



TEST POINTS:

BT_CLK_EN USE R308
BT_HOST_WAKE_B USE R309

- BT_CTS_B \diamond TP_BT_CTS
- BT_RTS_B \diamond TP_BT_RTS
- BT_RX_AP_TX \diamond TP_BT_RX
- BT_TX_AP_RX \diamond TP_BT_TX
- BT_WAKE_B \diamond TP_BT_WAKE_B
- TP_GPIO_6 \diamond TP_GPIO_6
- TP_GPIO_7 \diamond TP_GPIO_7