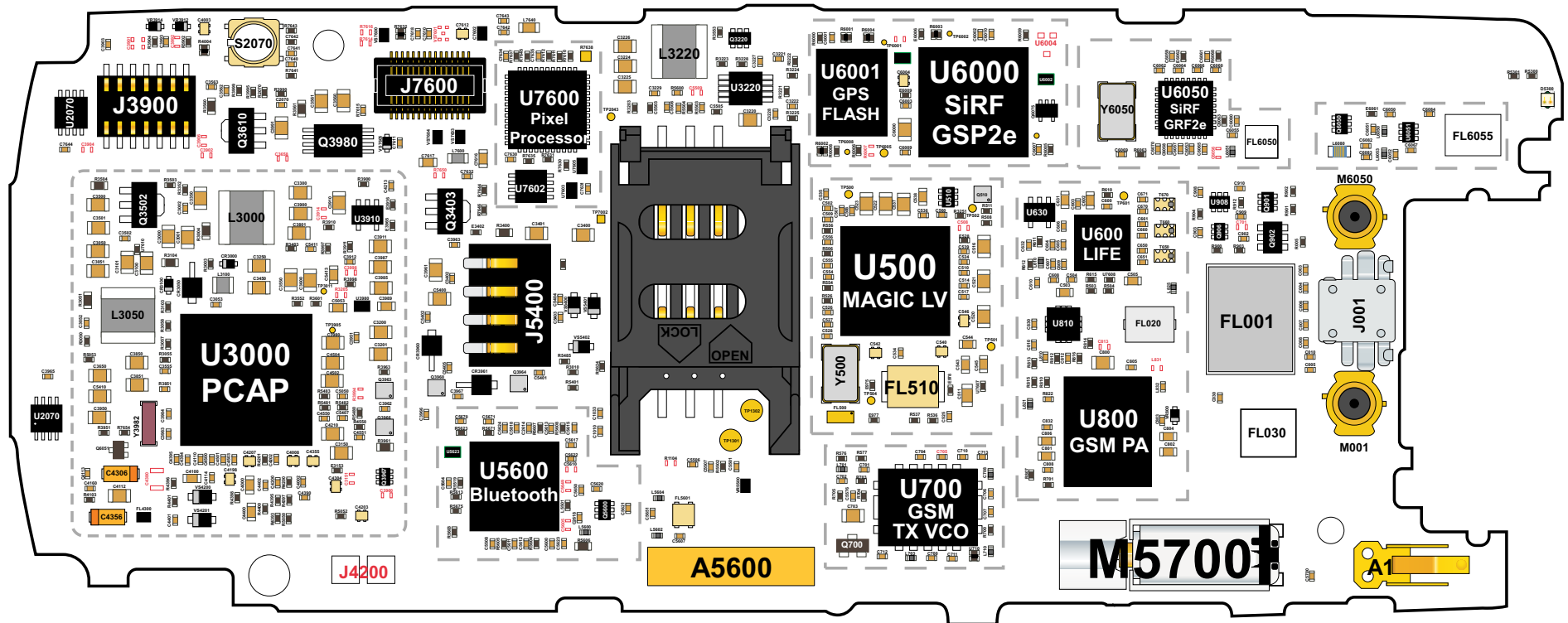
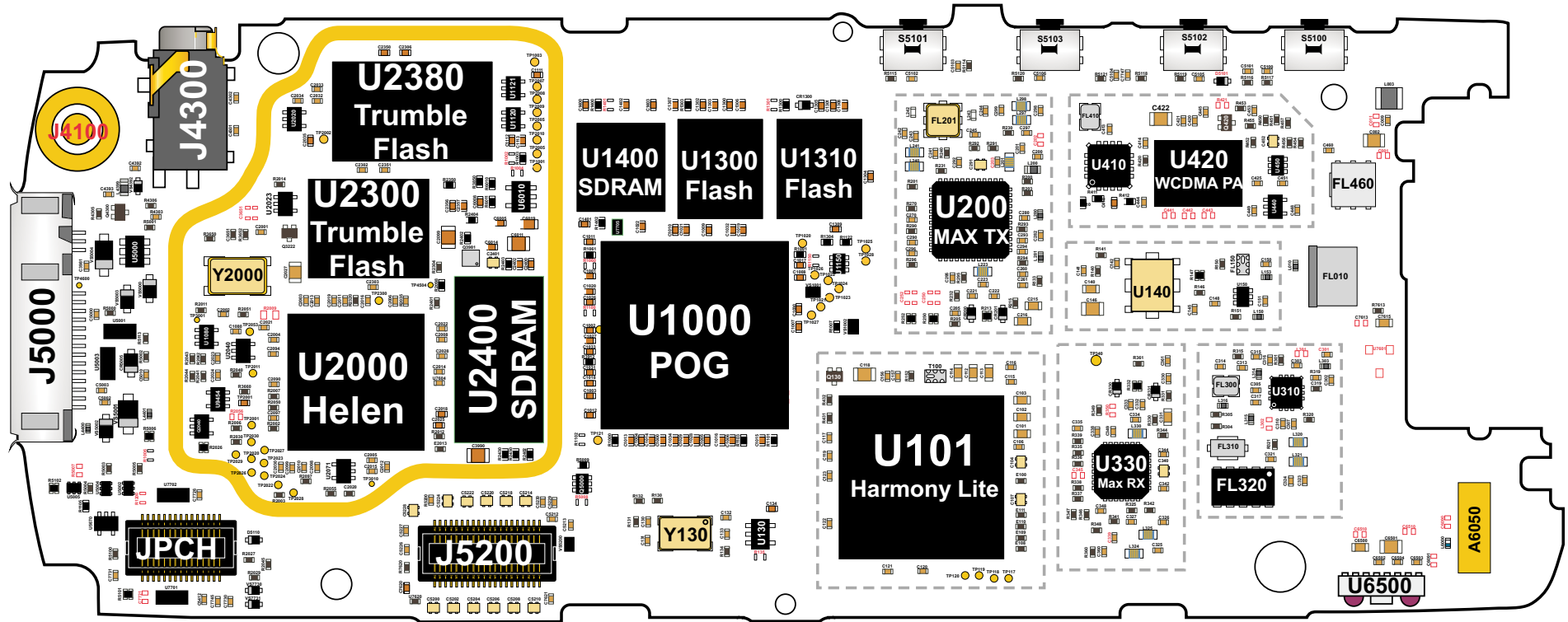


## A920: Layout Side 1 (P5B Build)



Board: 8487855M01

# A920: Layout Side 2 (P5B Build)



Board: 8487855M01