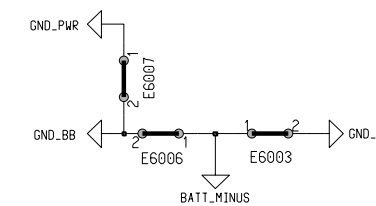
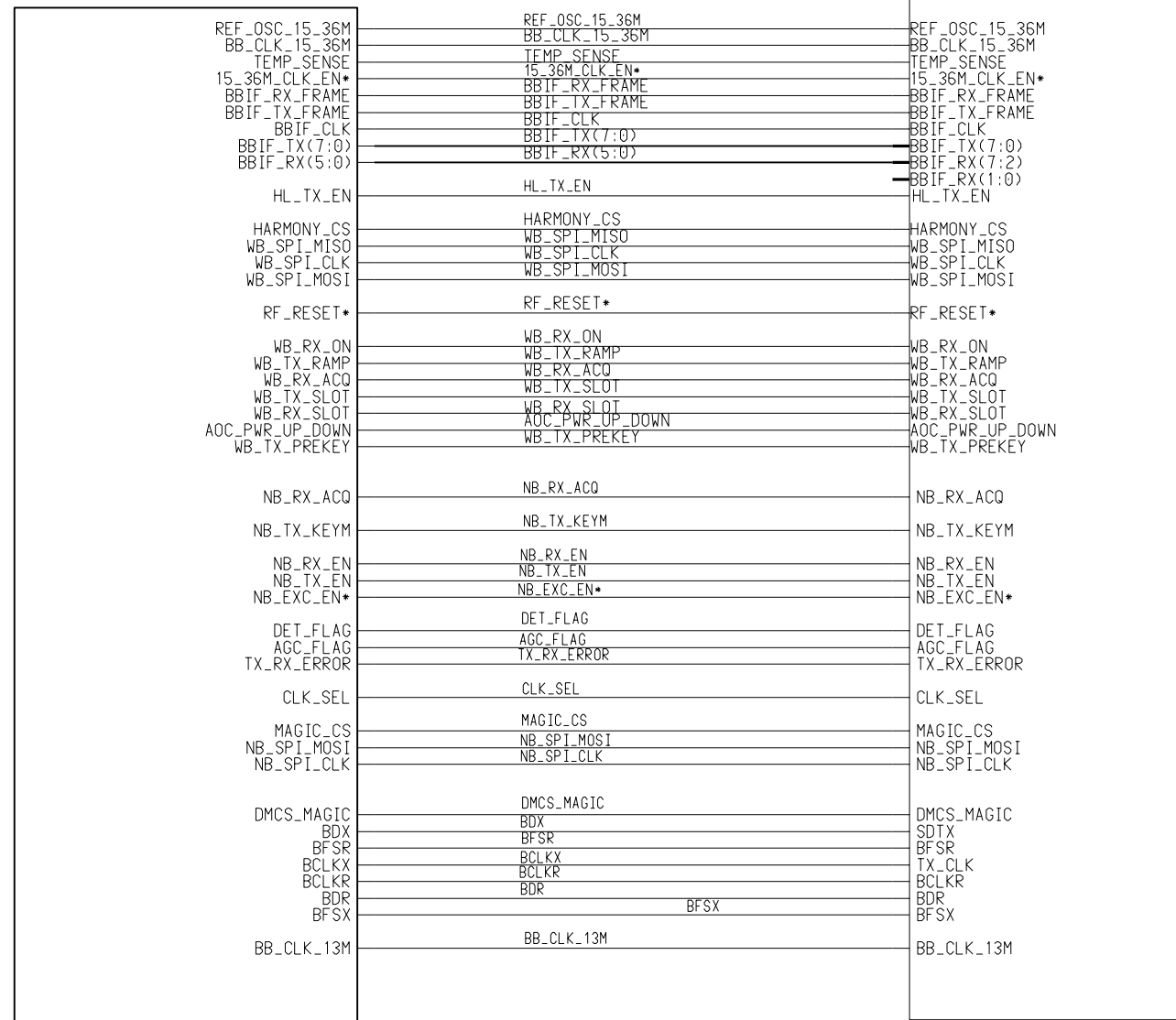
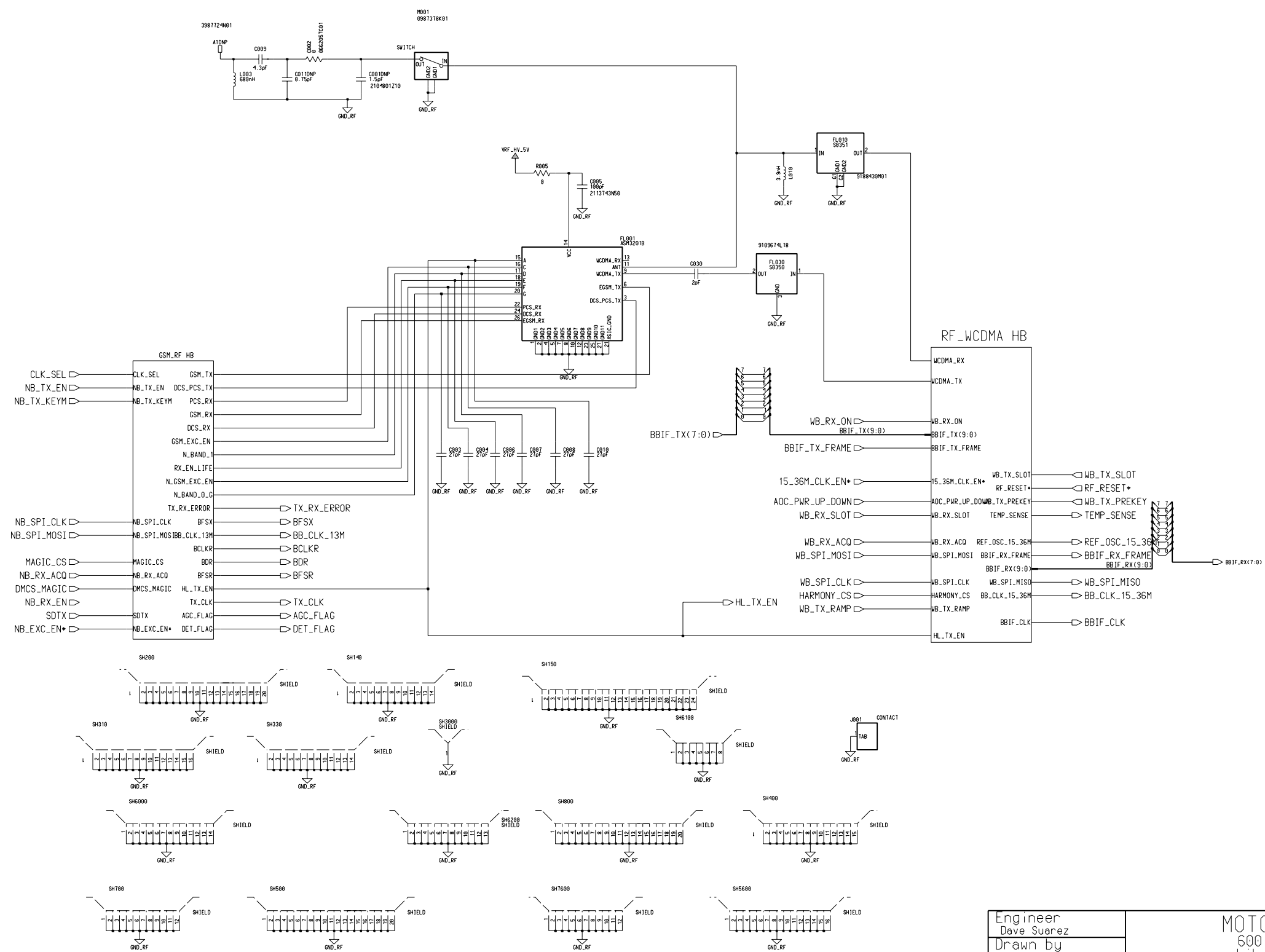


Baseband HB

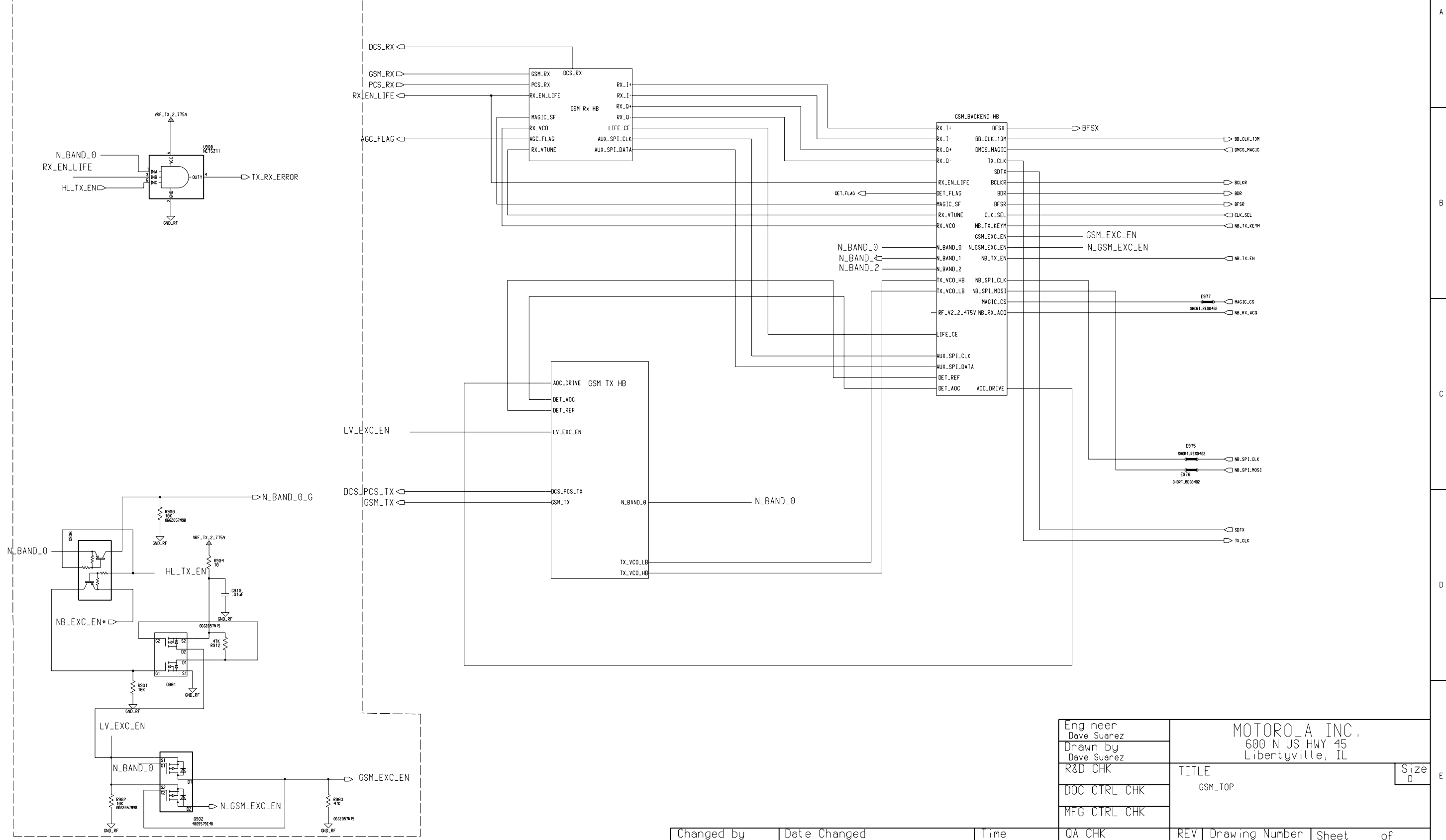
RF HB





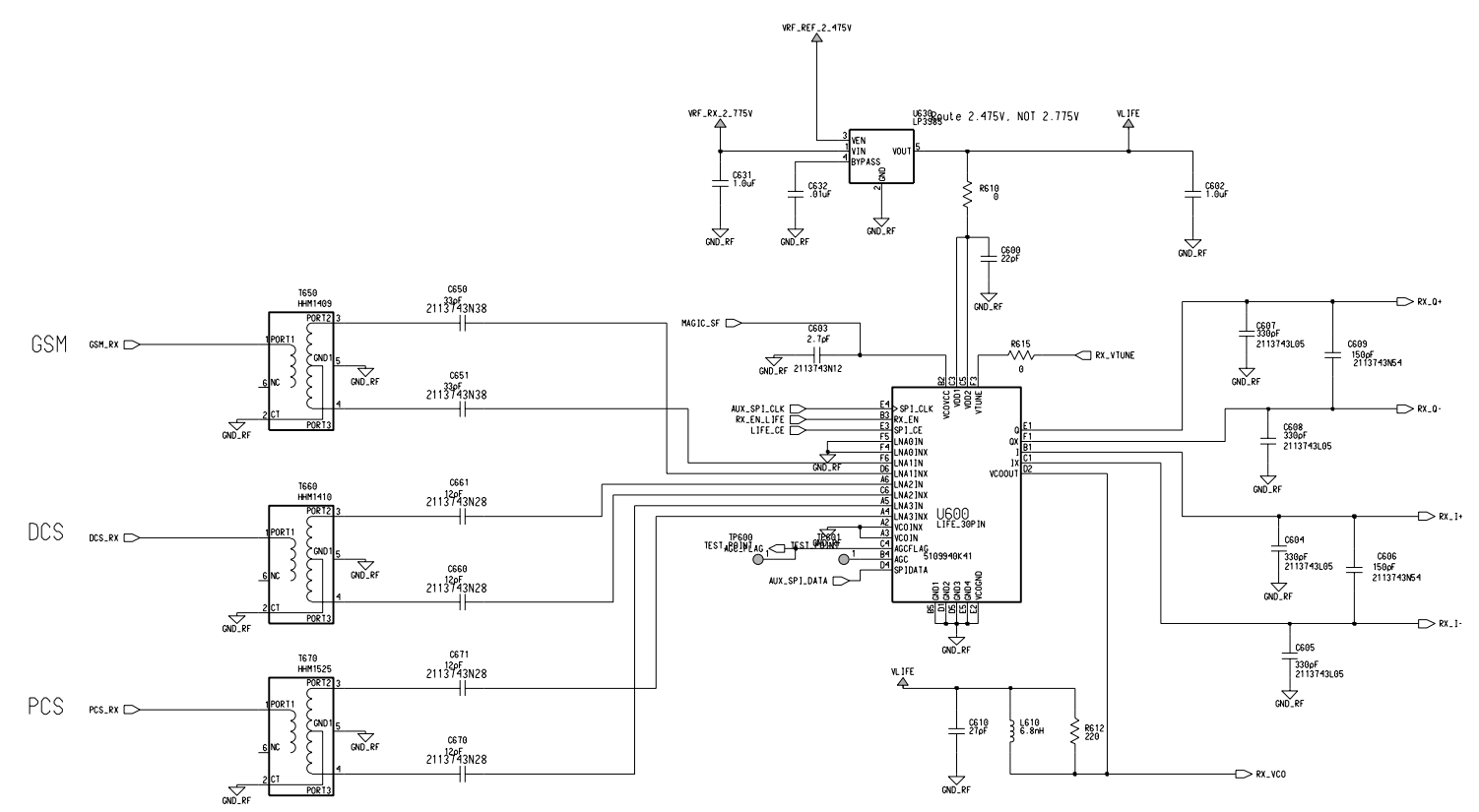
Engineer Dave Suarez	MOTOROLA INC. 600 N US HWY 45 Libertyville, IL	
Drawn by Dave Suarez	TITLE RF_TOP	Size D
R&D CHK	QA CHK	REV
DOC CTRL CHK	Time 3:59:05 pm	Drawing Number
MFG CTRL CHK	Changed by Dave Suarez	Sheet
	Date Changed Friday, April 20, 2001	of

Band Select Circuits REF # 900-925



Engineer Dave Suarez	MOTOROLA INC. 600 N US HWY 45 Libertyville, IL		
Drawn by Dave Suarez			
R&D CHK	TITLE	Size D	
DOC CTRL CHK	GSM.TOP		
MFG CTRL CHK			
QA CHK	REV	Drawing Number	Sheet of

Changed by Dave Suarez Date Changed Tuesday, May 1, 2001 Time 11:34:44 am

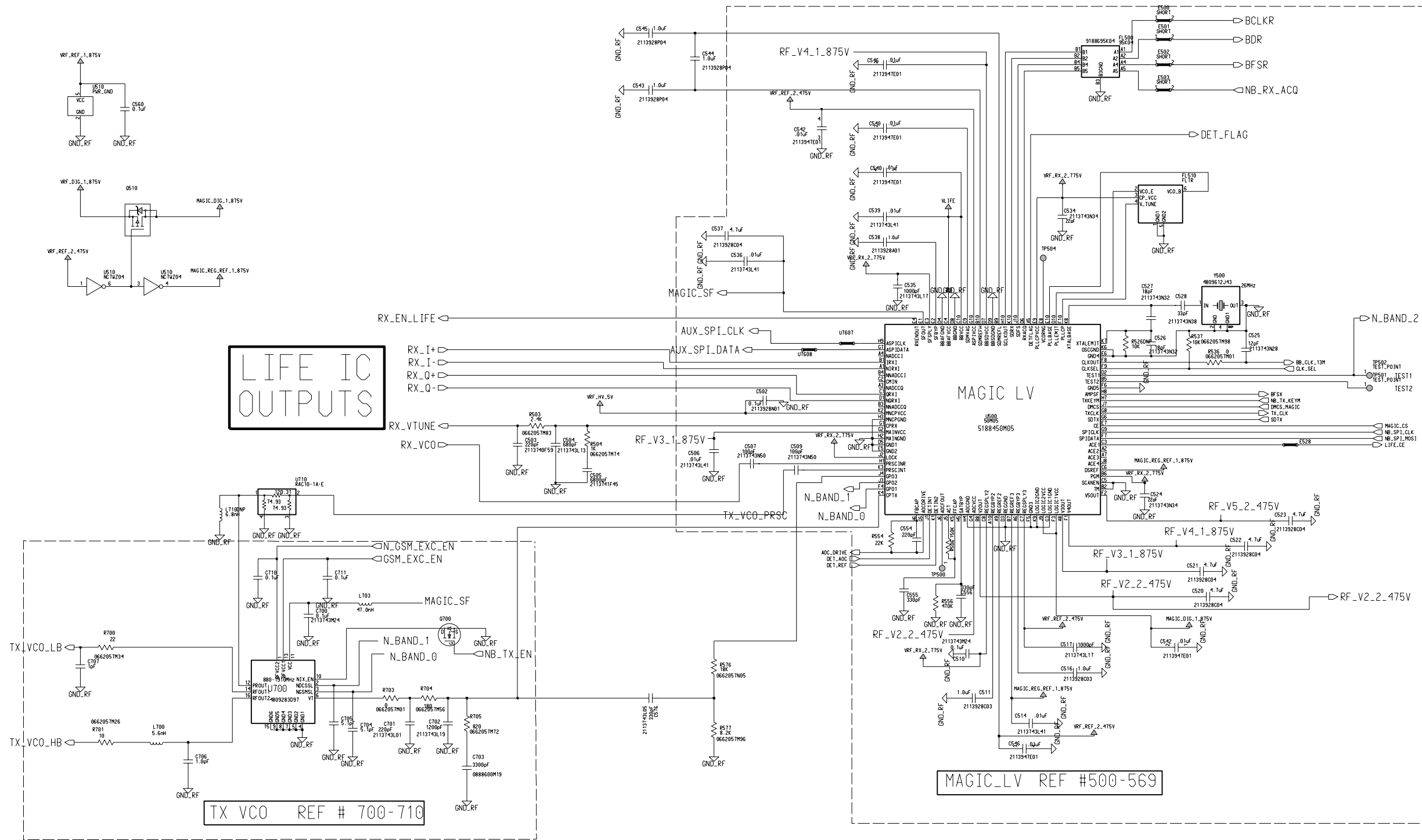


LIFE IC
REF # 600-649

RX FRONT END FILTERS REF # 650-699

Engineer Brian Elfers	MOTOROLA INC. 600 N US HWY 45 Libertyville, IL		
Drawn by Brian Elfers			
R&D CHK	TITLE	Size D	
DOC CTRL CHK	GSM.Rx		
MFG CTRL CHK			
QA CHK	REV	Drawing Number	Sheet of

Changed by Dave Suarez	Date Changed Tuesday, May 1, 2001	Time 5:06:46 pm
---------------------------	--------------------------------------	--------------------



LIFE IC
OUTPUTS

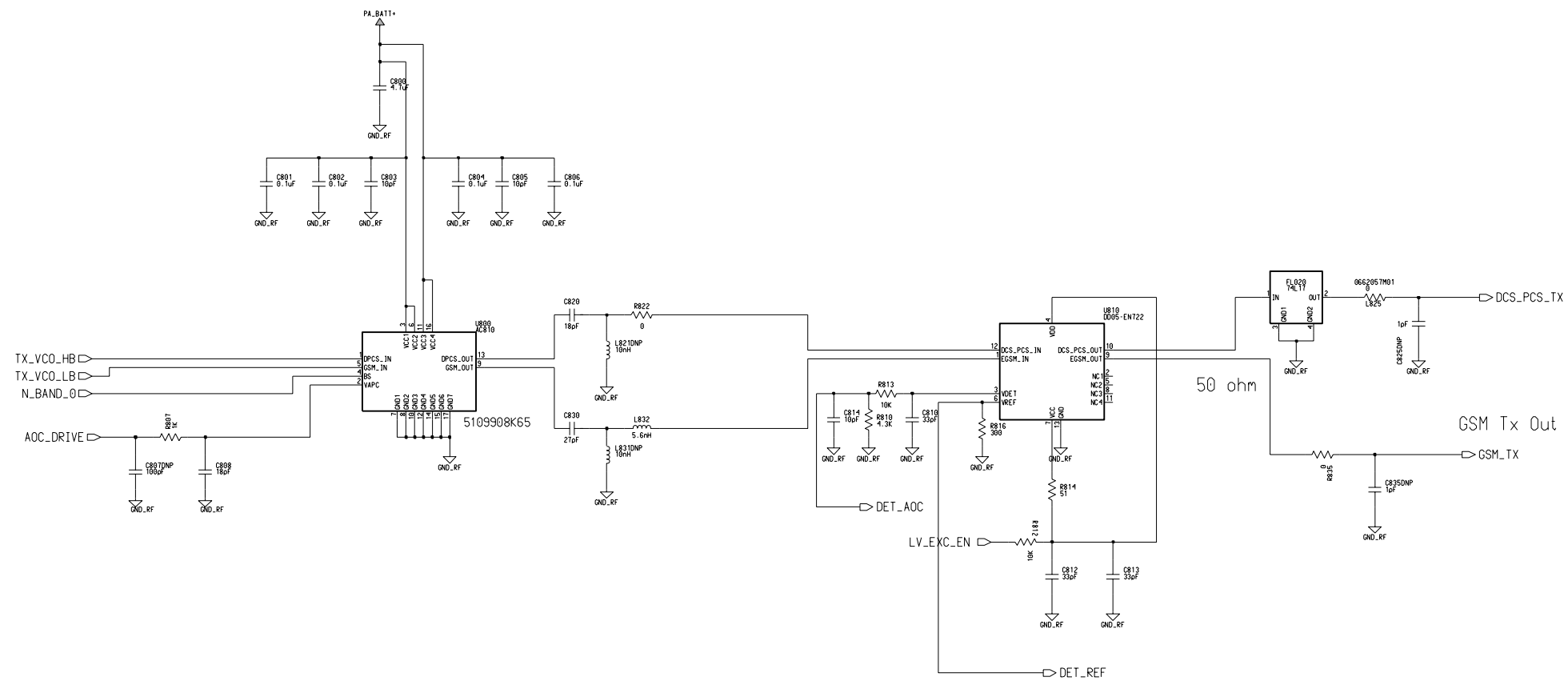
TX VCO REF # 700-710

MAGIC_LV REF #500-569

Engineer Andy Ma	MOTOROLA INC. LIBERTYVILLE IL		
Drawn by Andy Ma	TITLE Talon_rev_0 GSM_backend		
R&D CHK	QA CHK	REV	Size D
DOC CTRL CHK	Drawing Number	Sheet	of
MFG CTRL CHK			

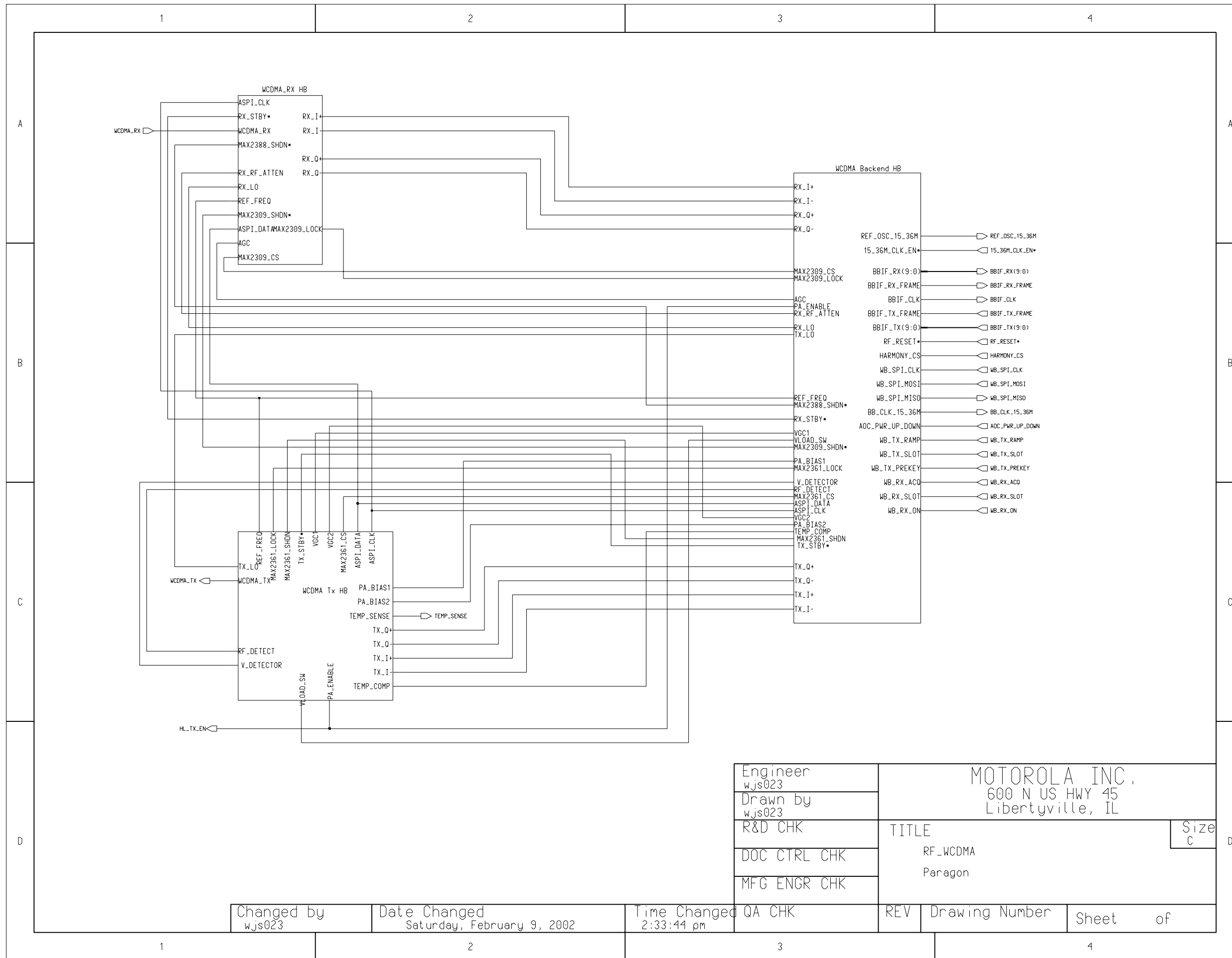
Changed by Dave Suarez	Date Changed Tuesday, May 1, 2001	Time 11:28:57 am
---------------------------	--------------------------------------	---------------------

GSM Transmitter



Engineer Paul Manente Drawn by Paul Manente R&D CHK DOC CTRL CHK MFG CTRL CHK QA CHK	MOTOROLA INC. 600 N US HWY 45 Libertyville, IL
TITLE GSM_TX-D GSM Transmitter	Size D
REV Drawing Number Sheet of	

Changed by: Dave Suarez
 Date Changed: Tuesday, May 1, 2001
 Time: 12:33:12 pm

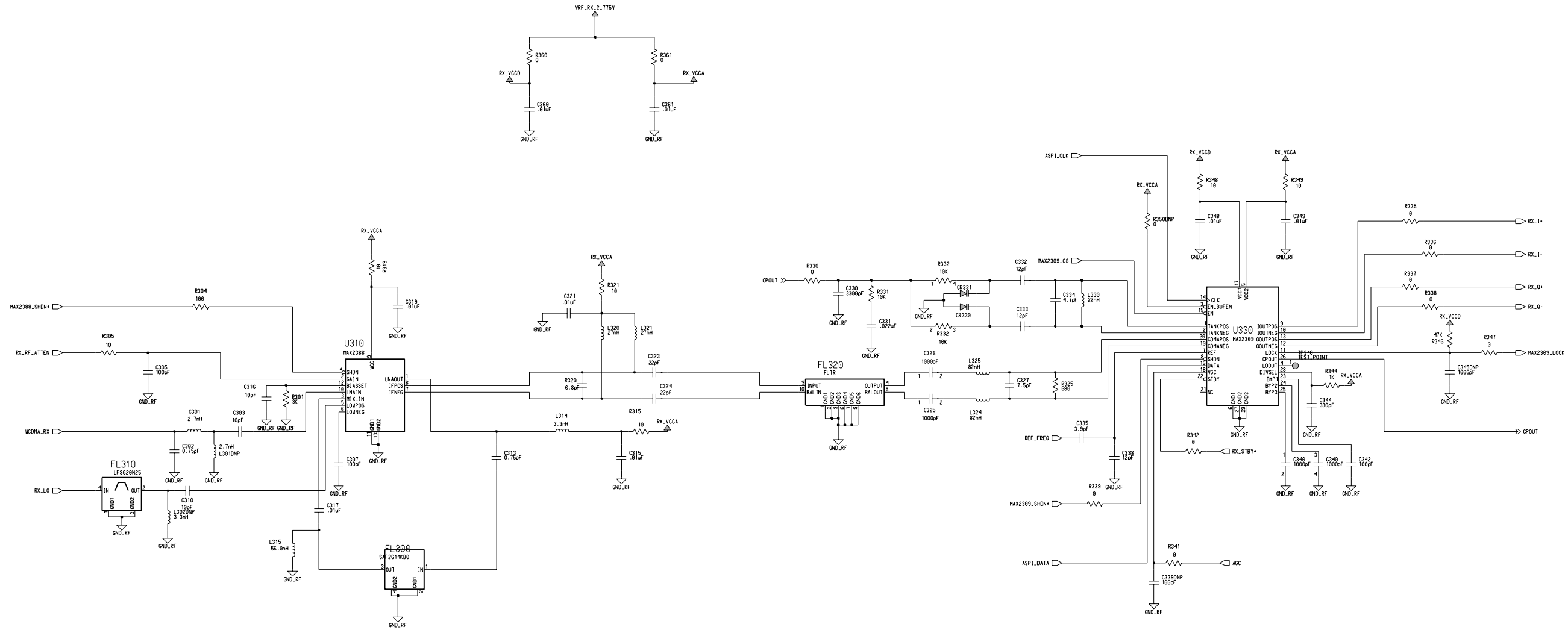


Engineer wjs023
Drawn by wjs023
R&D CHK
DOC CTRL CHK
MFG ENGR CHK
QA CHK

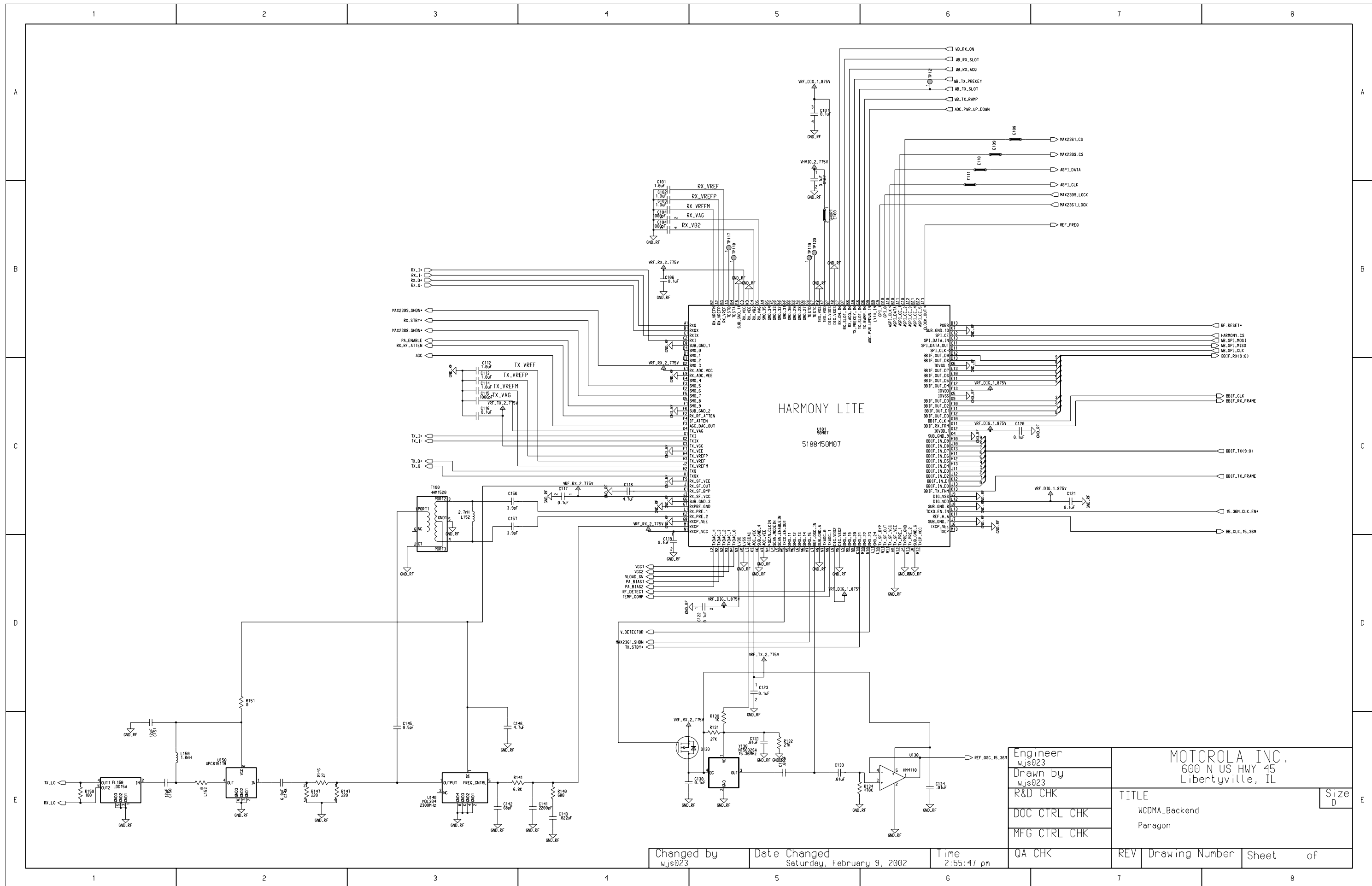
MOTOROLA INC. 600 N US HWY 45 Libertyville, IL	
TITLE	Size C
RF_WCDMA Paragon	
REV	Drawing Number
Sheet	of

Changed by wjs023	Date Changed Saturday, February 9, 2002	Time Changed 2:33:44 pm
----------------------	--	----------------------------

1
MOTOROLA INTERNAL USE ONLY



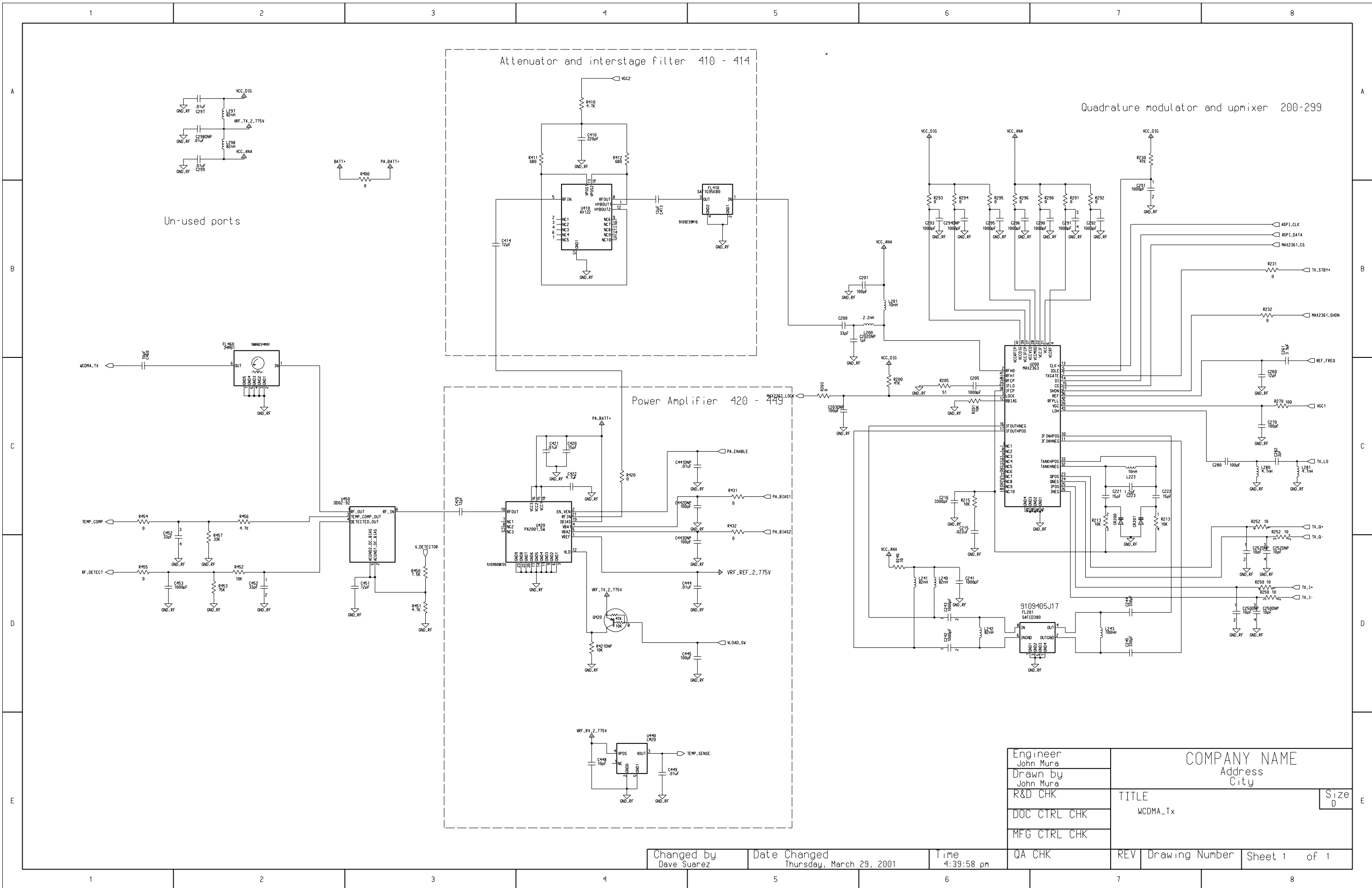
Engineer:	Randy Kressner		Size:
Drawn by:	Randy Kressner		D
DOC CTRL CHK:		TITLE:	Morris
MFG CTRL CHK:			WCDMA_Rx
QA CHK:		REV:	Drawing Number: Page: UF:
Changed by:	Randy Kressner	Date:	Thursday, March 22, 2001 Time: 3:10:36 pm



HARMONY LITE
U181
5188450M07

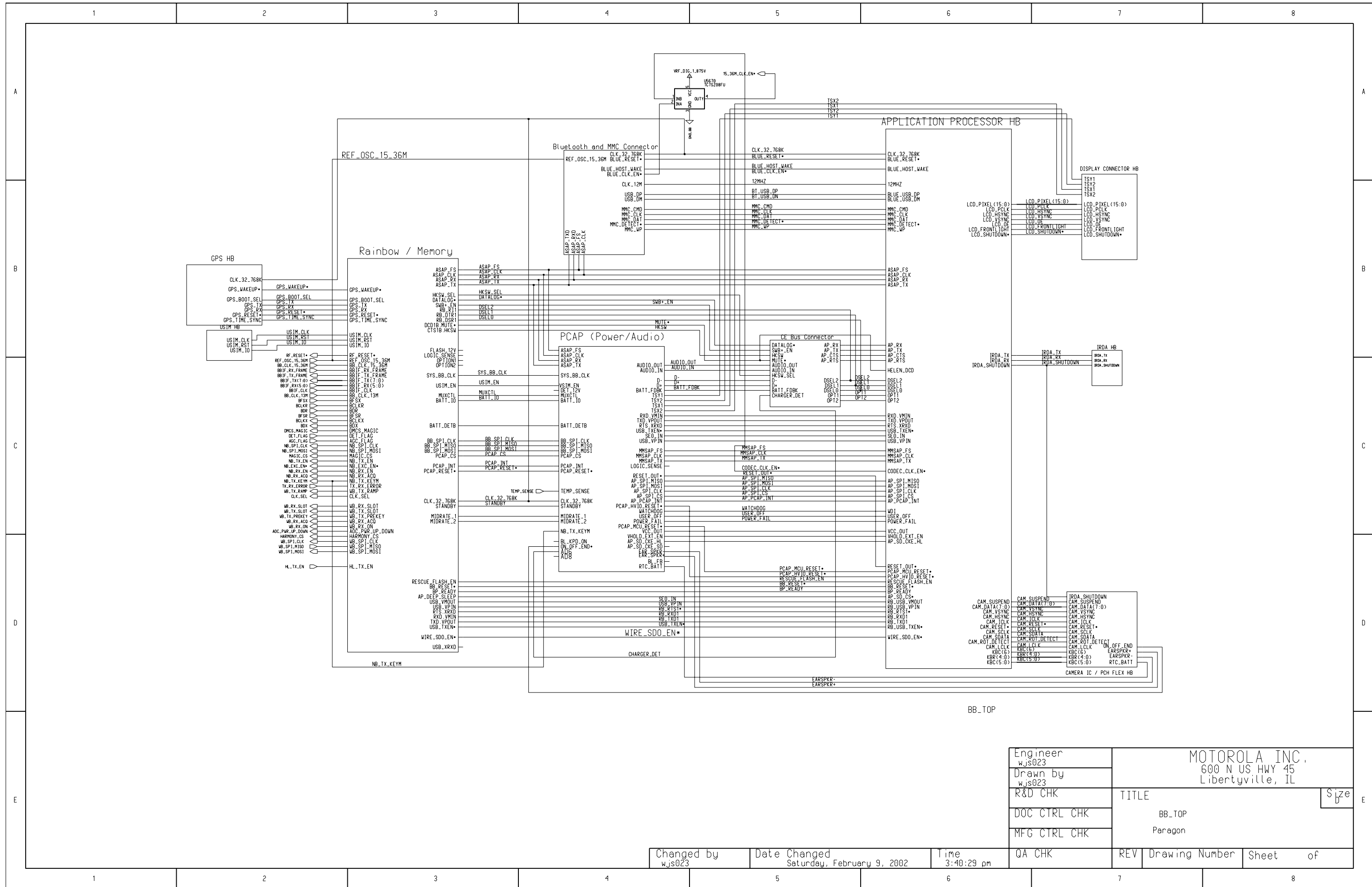
Engineer wjs023	MOTOROLA INC. 600 N US HWY 45 Libertyville, IL		
Drawn by wjs023	TITLE WCDMA_Backend Paragon		
R&D CHK	QA CHK	REV	Sheet of
DOC CTRL CHK	MFG CTRL CHK	Drawing Number	

Changed by wjs023	Date Changed Saturday, February 9, 2002	Time 2:55:47 pm
----------------------	--	--------------------



Engineer John Mura	COMPANY NAME		
Drawn by John Mura	Address		
R&D CHK	TITLE		Size D
DOC CTRL CHK	WCDMA_Tx		
MFG CTRL CHK			
QA CHK	REV	Drawing Number	Sheet 1 of 1

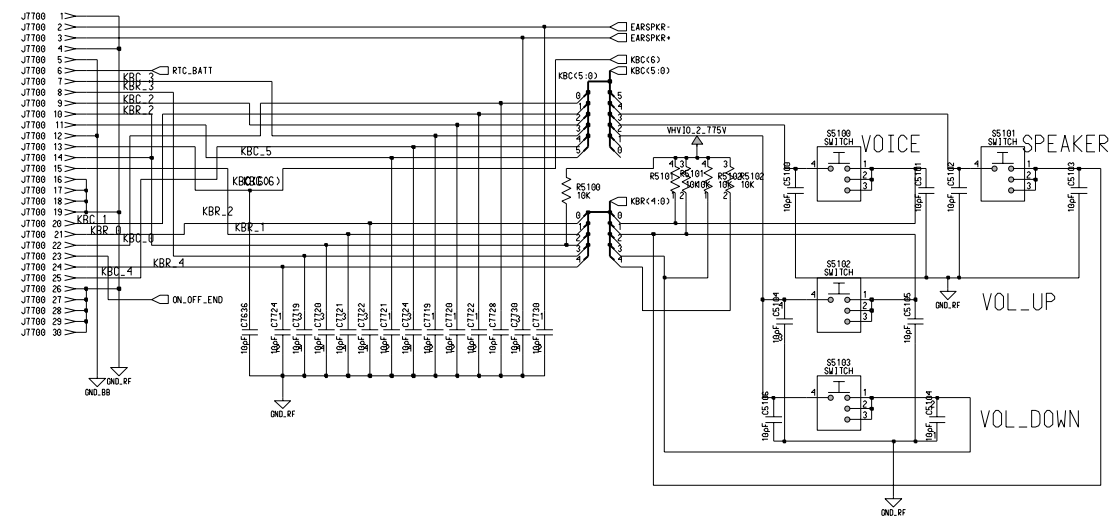
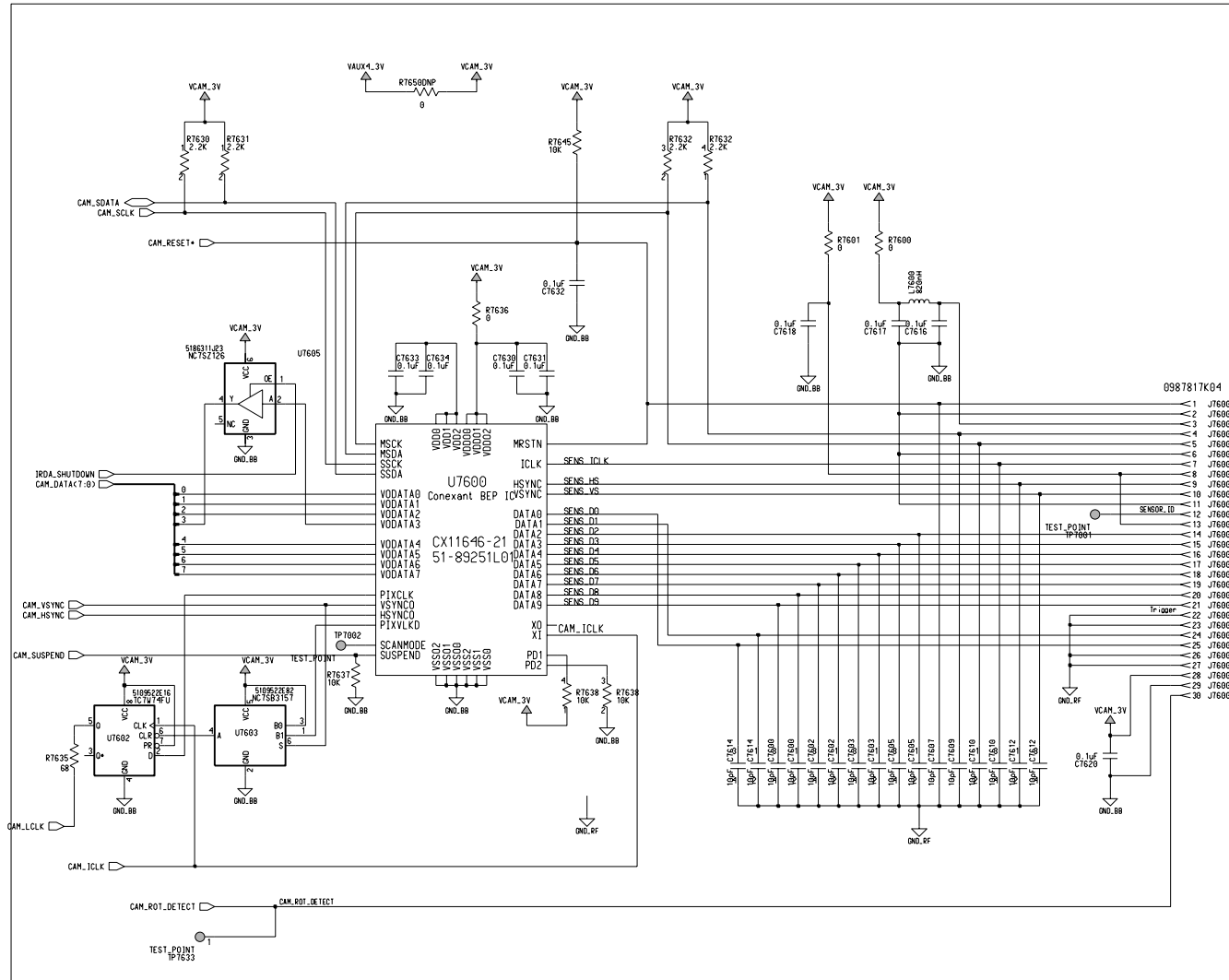
Changed by Dave Suarez Date Changed Thursday, March 29, 2001 Time 4:39:58 pm



Engineer wjs023	MOTOROLA INC, 600 N US HWY 45 Libertyville, IL		
Drawn by wjs023			
R&D CHK	TITLE	Size	
DOC CTRL CHK	BB_TOP		
MFG CTRL CHK	Paragon		
QA CHK	REV	Drawing Number	Sheet of

Changed by wjs023	Date Changed Saturday, February 9, 2002	Time 3:40:29 pm
----------------------	--	--------------------

VIDEO

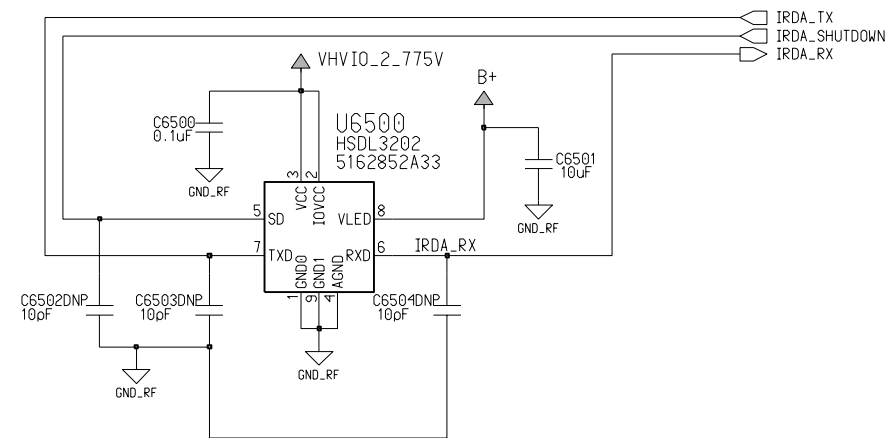


Engineer wjs023	MOTOROLA INC. 600 N US HWY 45 Libertyville, IL		
Drawn by wjs023			
R&D CHK	TITLE	Size D	
DOC CTRL CHK	MCHFLEX		
MFG CTRL CHK	Paragon		
QA CHK	REV	Drawing Number	Sheet of

Changed by wjs023 Date Changed Saturday, February 9, 2002 Time 3:58:15 pm

MOTOROLA INTERNAL USE ONLY

Engineer:	MOTOROLA INC.		
Drawn by:			
R&D CHK:	TITLE:	Size:	
DOC CTRL CHK:			
MFG CTRL CHK:			
QA CHK:	REV:	Drawing Number:	Page: OF:
Changed by:	Date:	Time:	



1

2

3

4

A

B

C

D

A

B

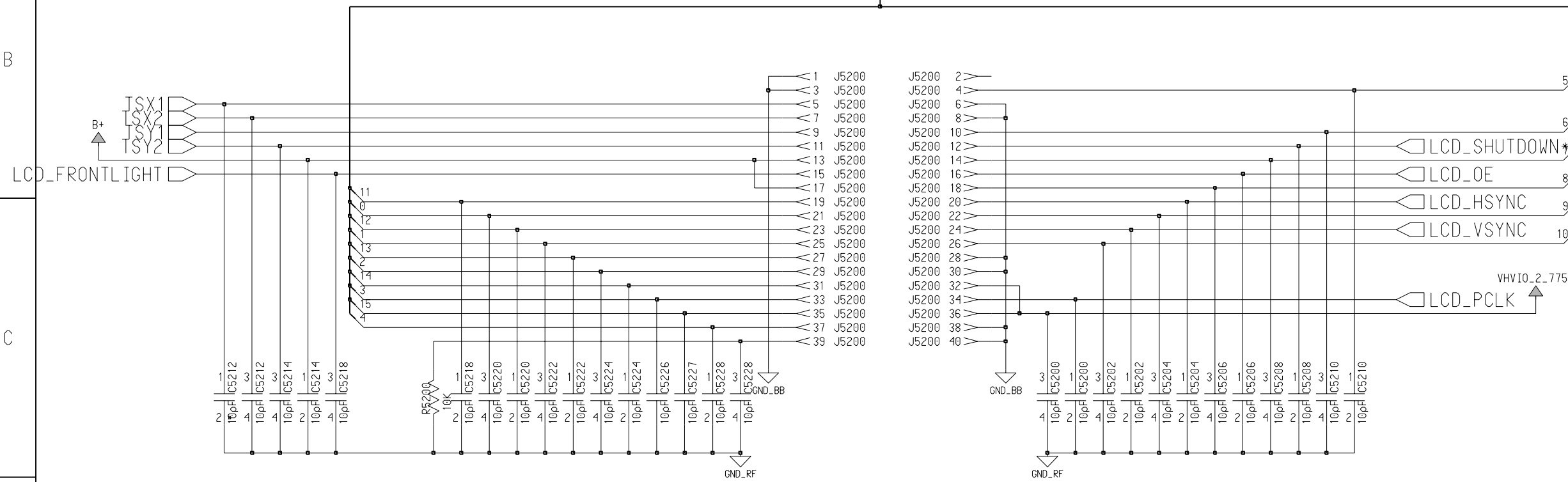
C

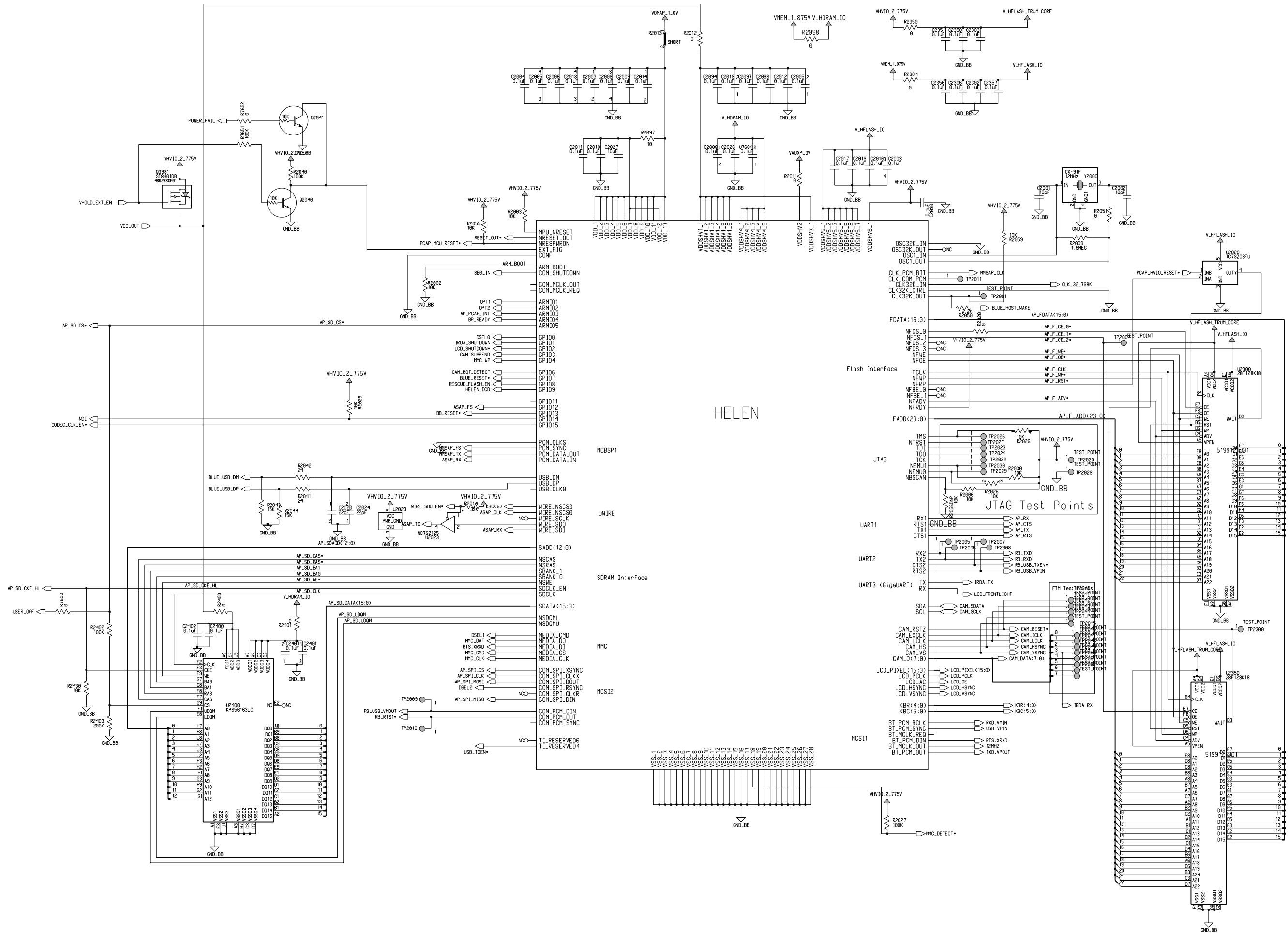
D

4 1 3 A

Engineer: John Fitzsimons				
Drawn by: John Fitzsimons				
R&D CHK:	TIME: 11x17	Size:		
DOC CTRL CHK:	Display Connector			
MFG CTRL CHK:	0			
QA CHK: w14184	REV: Friday, September 14, 2001	Drawing Number: 1	Page: 1	Of: 1
Changed by:	Date:	Time:		

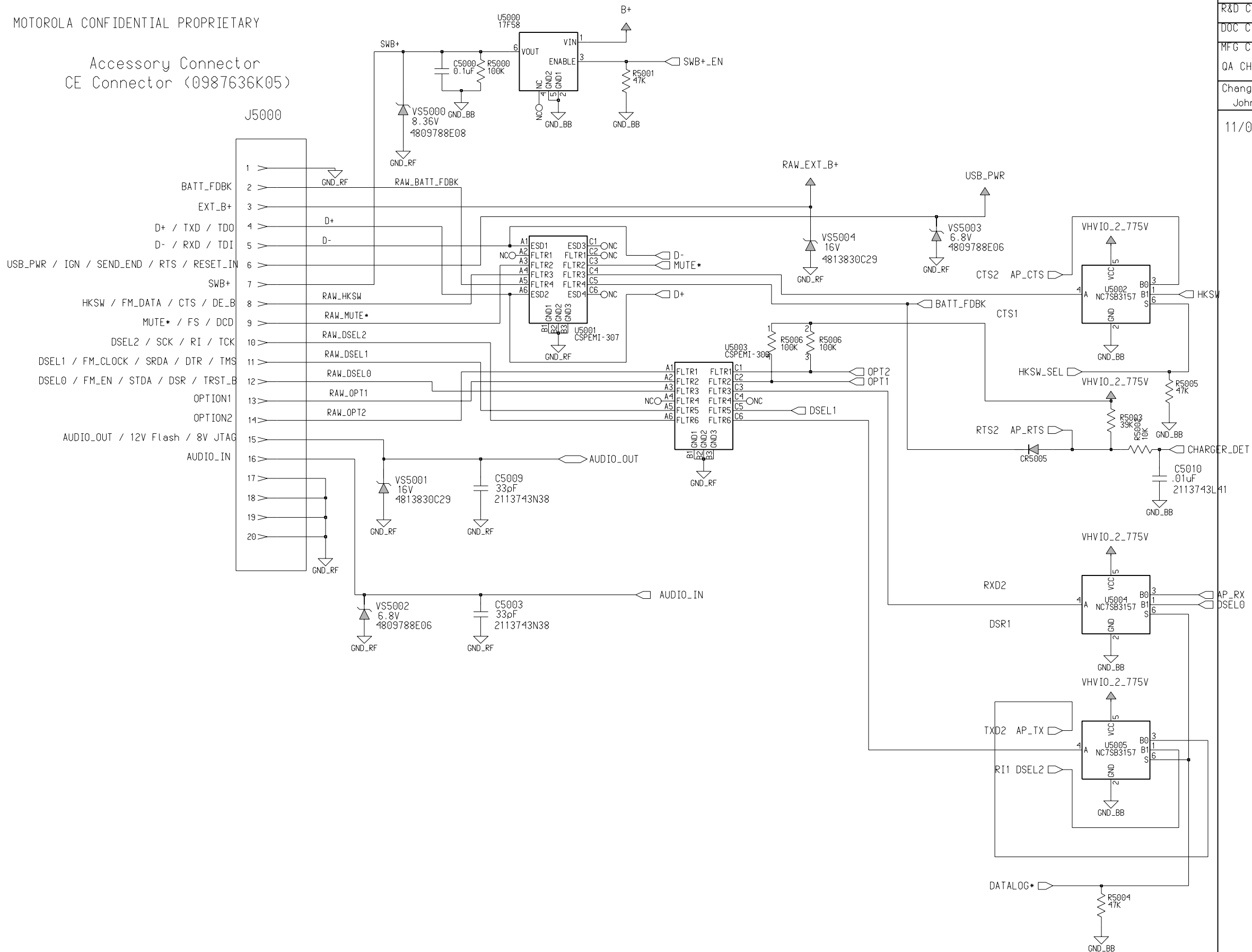
LCD_PIXEL <15:0>





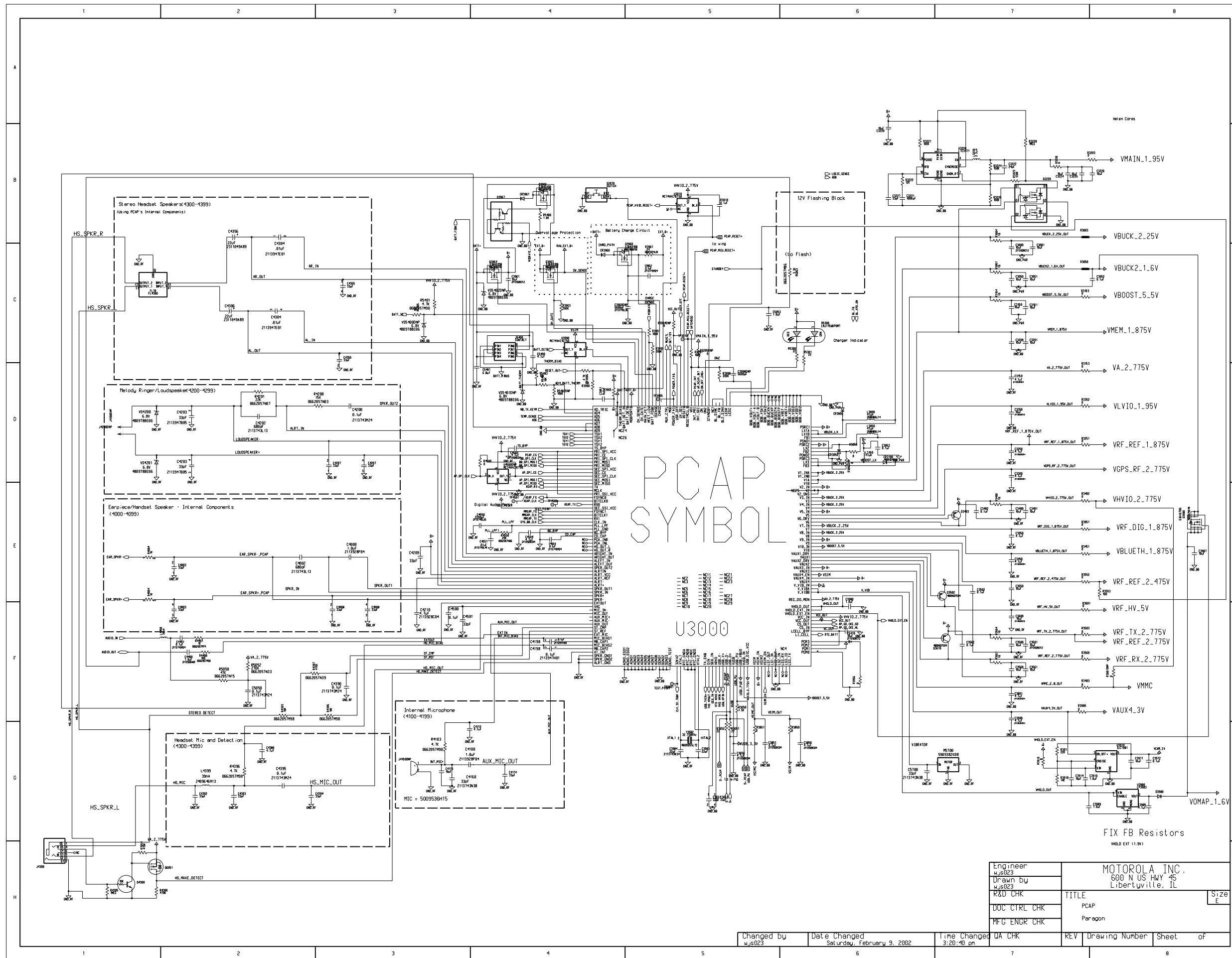
MOTOROLA CONFIDENTIAL PROPRIETARY

Accessory Connector CE Connector (0987636K05)



Engineer: John Kerr	MOTOROLA INC.		
Drawn by:			
R&D CHK:	TITLE: PARAGON	Size:	
DOC CTRL CHK:	CE Accessory Connector		
MFG CTRL CHK:	REV:	Drawing Number:	Page:
QA CHK:			OF:
Changed by: John S. Kerr	Date: 11/01/01	Time:	

11/01/01 Changed bypass ground on Audio IN/OUT from BB to GND_RF.



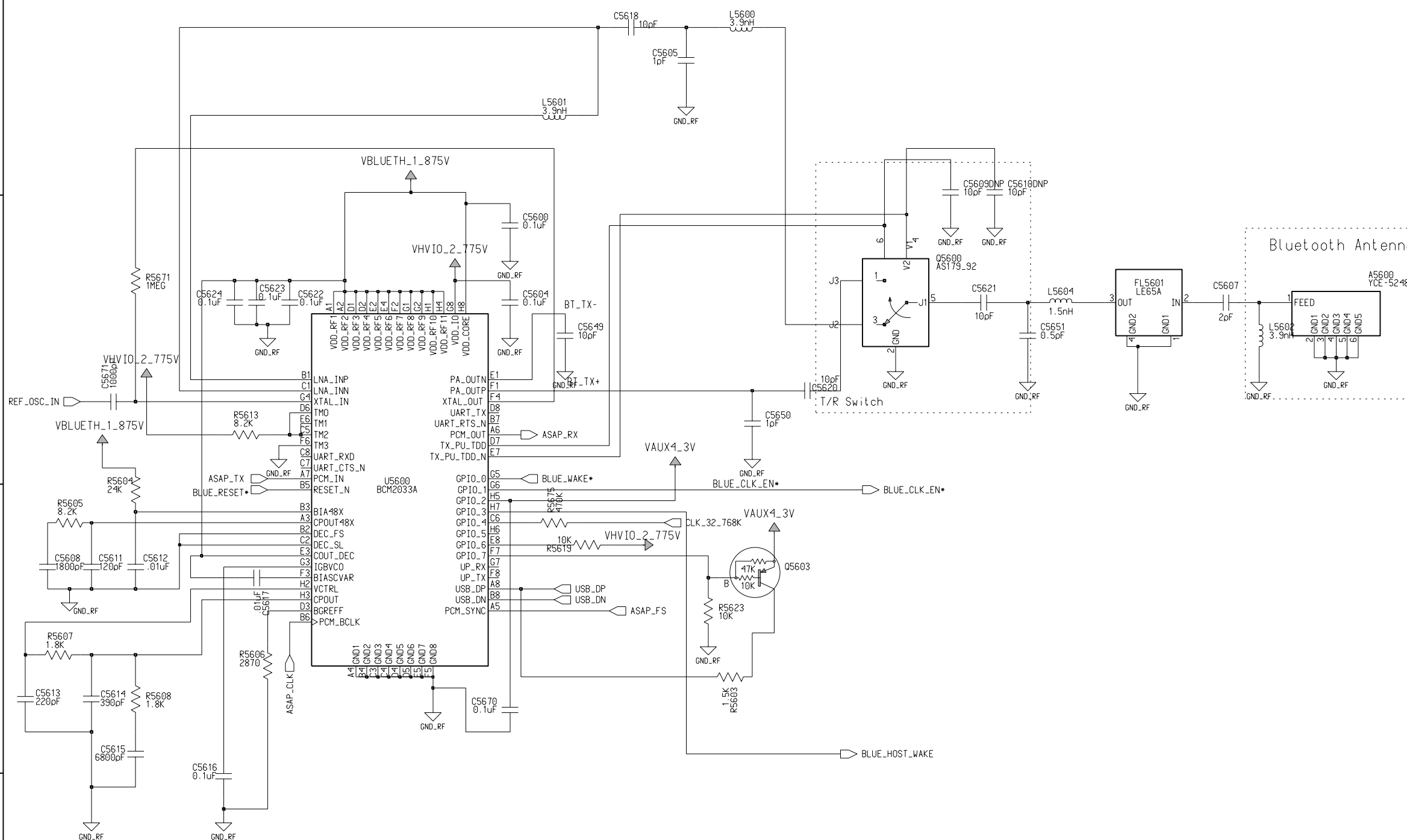
PCAP
SYMBOL

U300

Engineer w.js023	MOTOROLA INC. 600 N US HWY 45 Libertyville, IL	Size E
Drawn by w.js023		
R&D CHK		
DOC CTRL CHK		
MFG ENGR CHK	TITLE PCAP Paragon	

Changed by w.js023	Date Changed Saturday, February 9, 2002	Time Changed 3:20:40 pm	QA CHK	REV	Drawing Number	Sheet of
-----------------------	--	----------------------------	--------	-----	----------------	-------------

MOTOROLA CONFIDENTIAL PROPRIETARY



Engineer: John Kerr	MOTOROLA INC.		
Drawn by:	TITLE: Bluetooth		
R&D CHK:	REV: Drawing Number:		Page: OF:
DOC CTRL CHK:	REV: Drawing Number: Page: OF:		
MFG CTRL CHK:	REV: Drawing Number: Page: OF:		
QA CHK:	REV: Drawing Number: Page: OF:		
Changed by: John Kerr	Date: November 1, 2001	Time:	

Bluetooth Antenna

T/R Switch

A

B

C

D

1

2

3

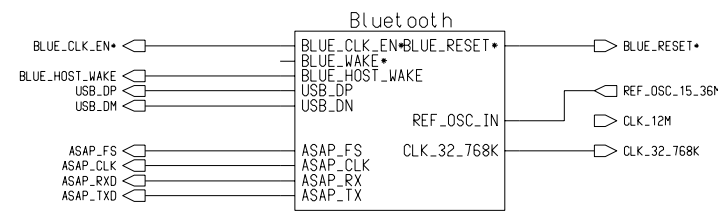
4

5

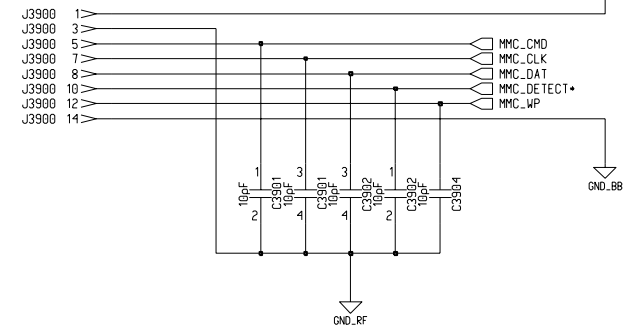
MOTOROLA CONFIDENTIAL PROPRIETARY

4 1 3 A

Engineer: John S. Kerr			
Drawn by: John S. Kerr			
R&D CHK:	TITLE: TALON	Size: 11x21	
DOC CTRL CHK:	USIM/BT Board Connector		
MFG CTRL CHK:	REV: 1	Page: 1	
QA CHK:	Drawing Number: 1	Of: 1	
Changed by: John Kerr	Date: Wednesday, August 8, 2001	Time: 4:43:54 pm	



- J3900 2V ONC
- J3900 4V ONC
- J3900 6V ONC
- J3900 9V ONC
- J3900 11V ONC
- J3900 13V ONC

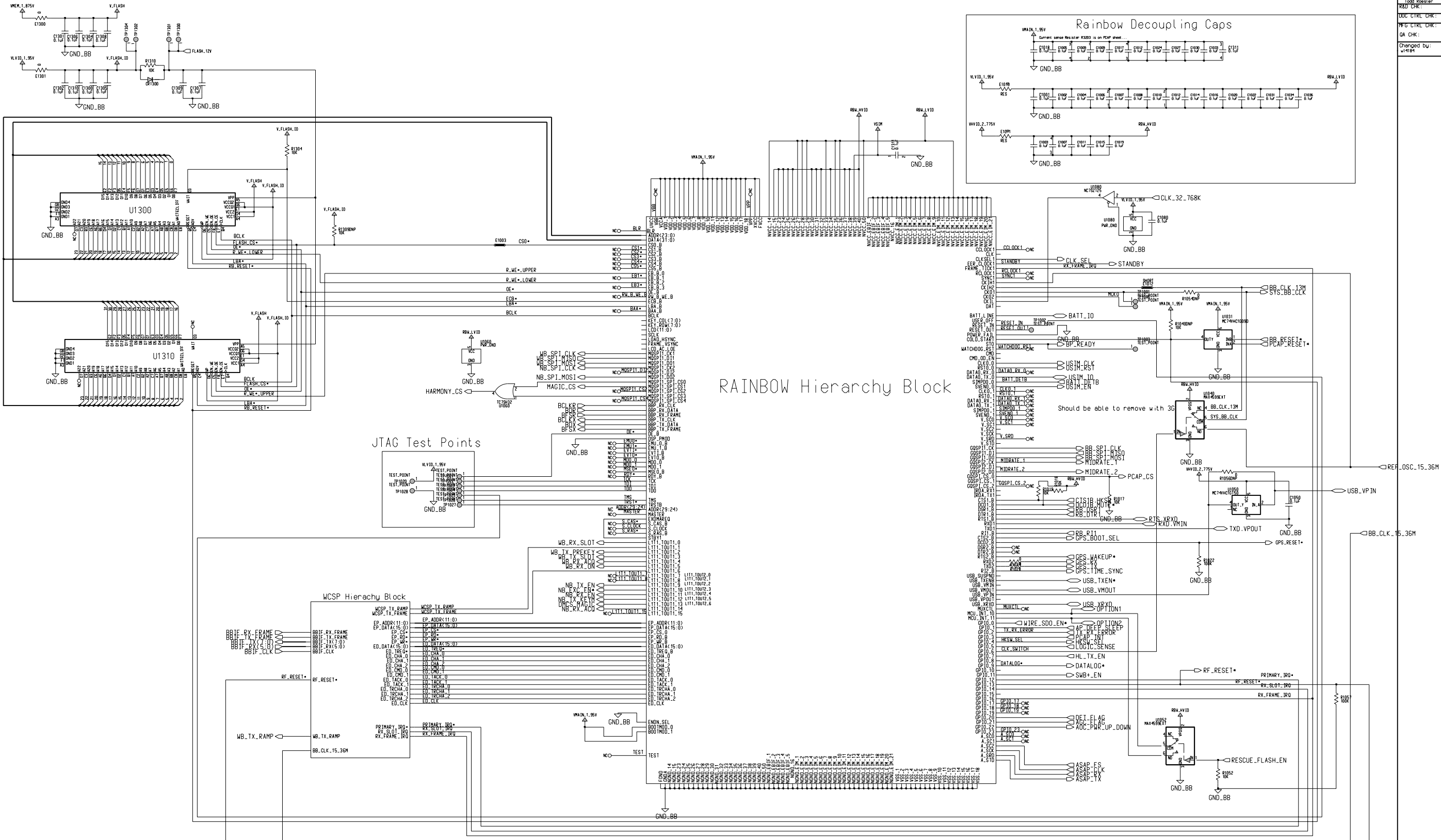


A

B

C

D



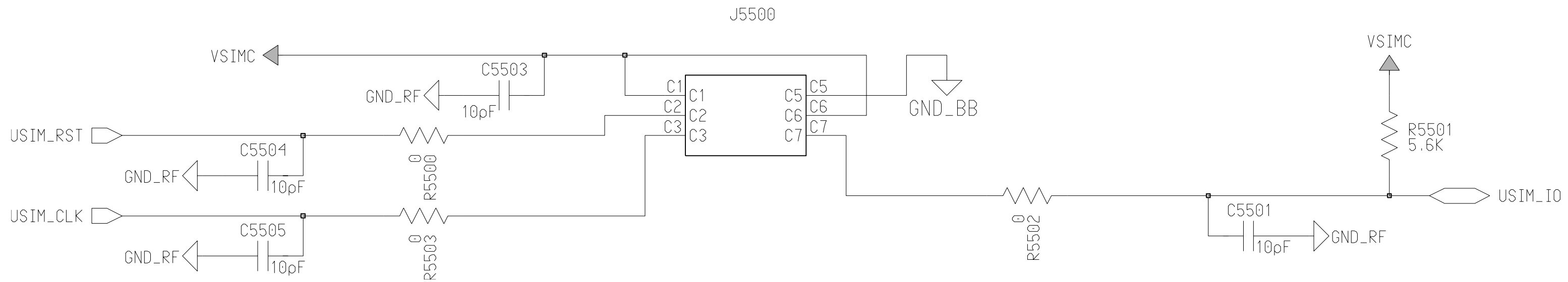
RAINBOW Hierarchy Block

JTAG Test Points

WSPSP Hierarchy Block

Rainbow Decoupling Caps

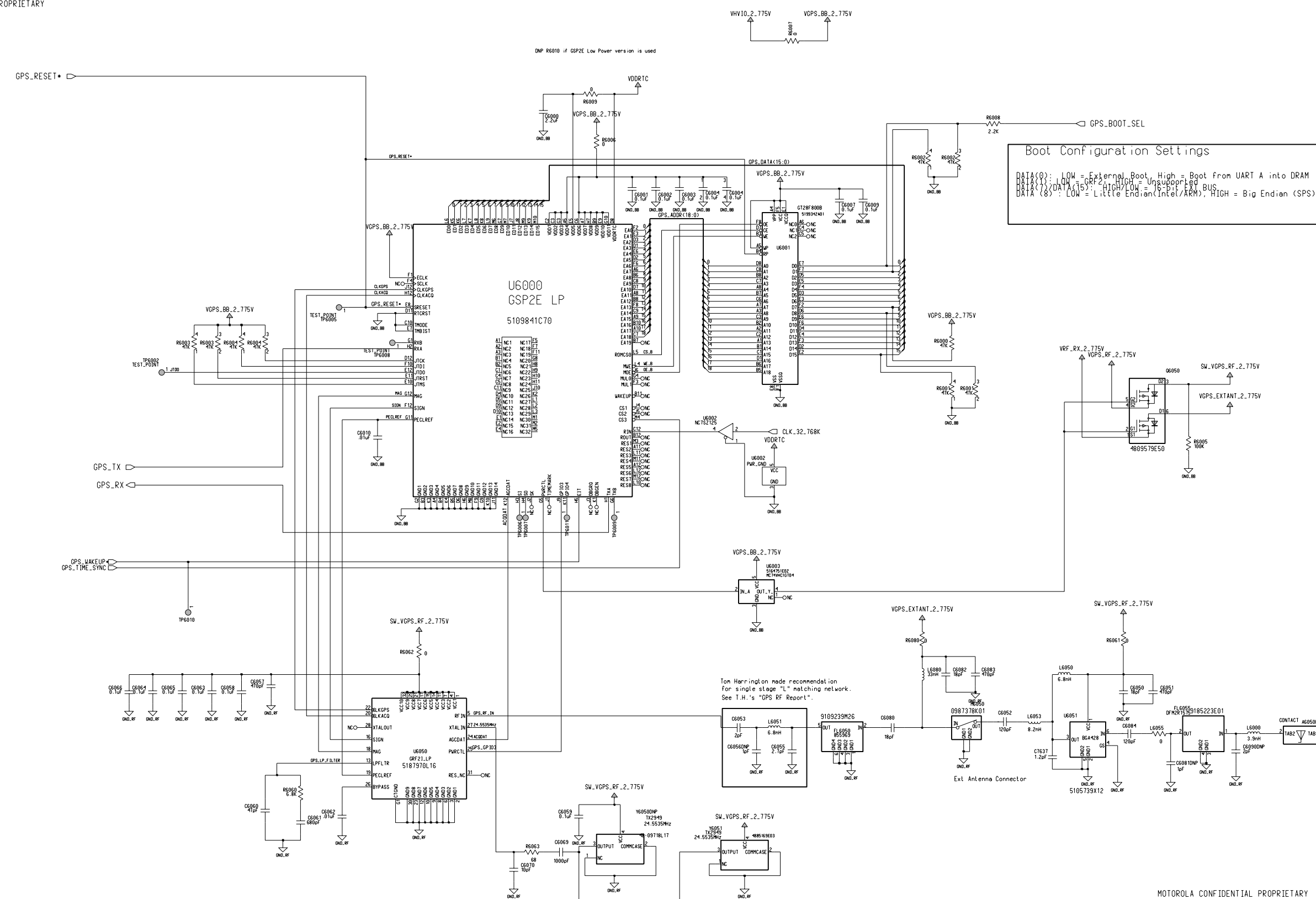
Should be able to remove with 3G





TITLE: Piregon GPS Block
 Size: 11x24

REV: Drawing Number: Page: Of:



Boot Configuration Settings
 DATA(0): LOW = External Boot, High = Boot from UART A into DRAM
 DATA(1): LOW = GR2, HIGH = Unsupported
 DATA(7): LOW = Little Endian (Intel/ARM), HIGH = Big Endian (SPS)

Tom Harrington made recommendation for single stage "L" matching network. See T.H.'s "GPS RF Report".

