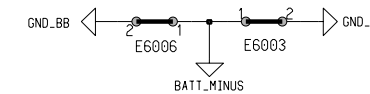
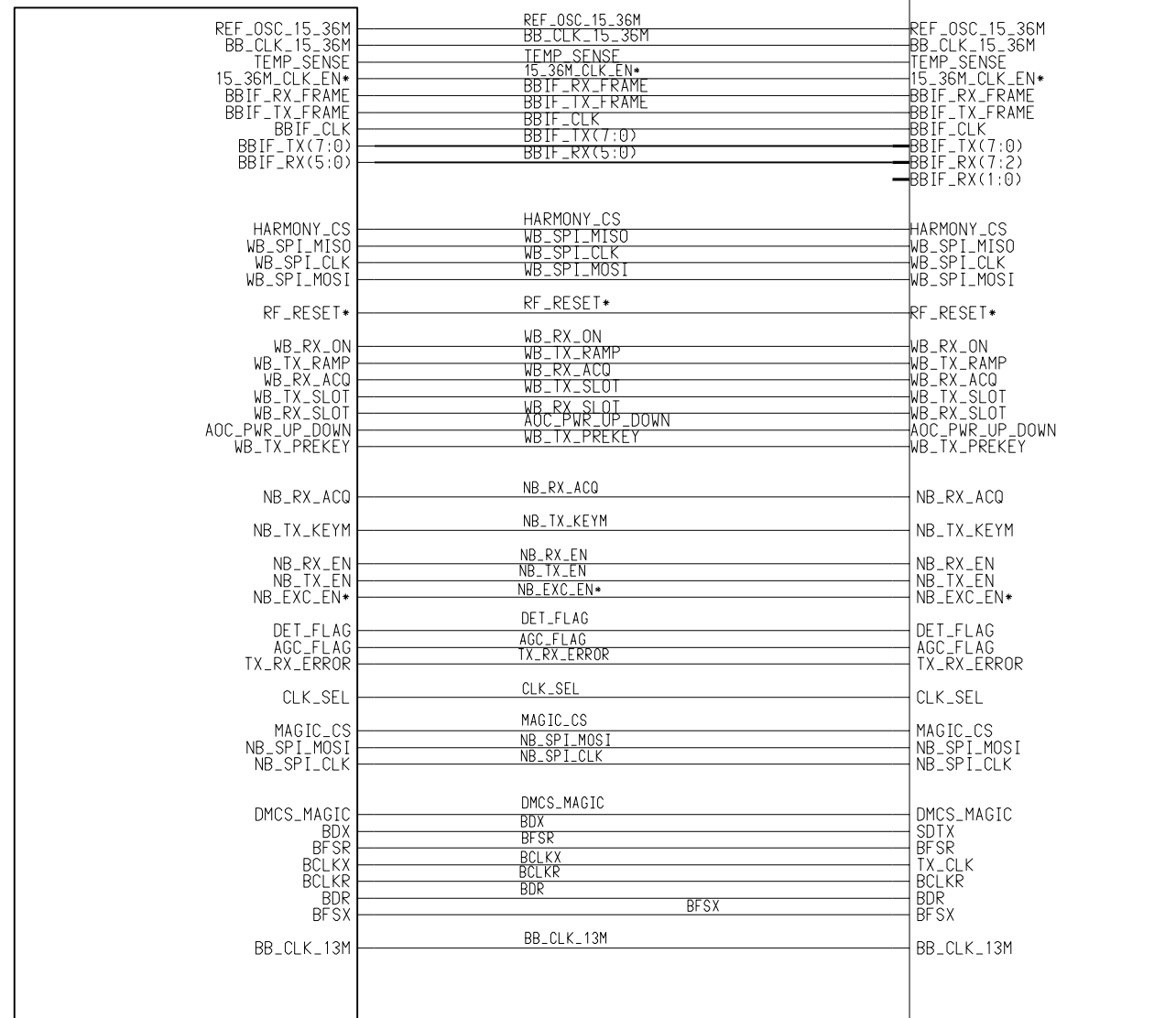
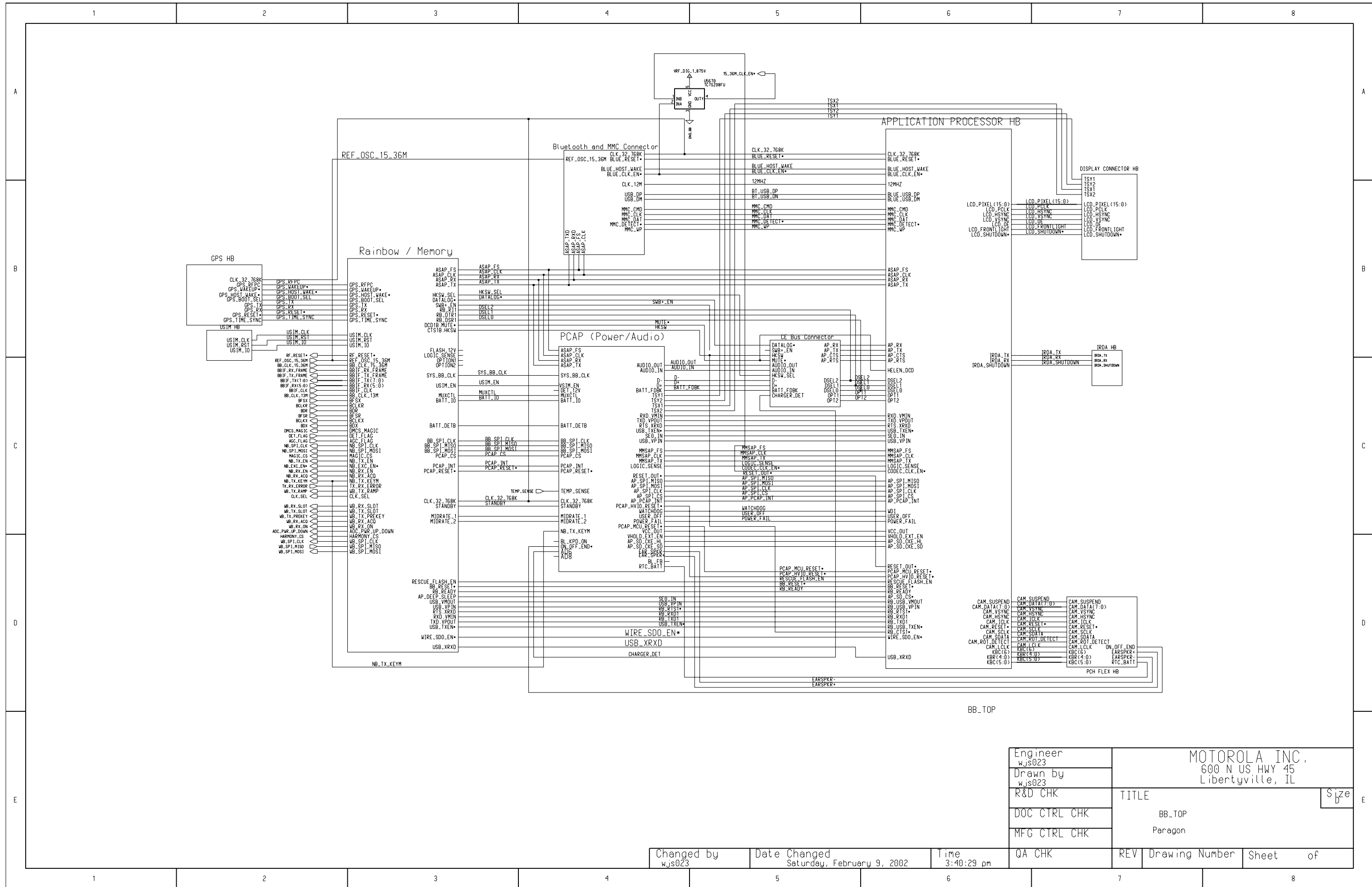


Engineer: John Kerr			
Drawn by: John Kerr			
R&D CHK:	TITLE: Paragon	Size: 11x17	
DOC CTRL CHK:	Top Level		
MFG CTRL CHK:	REV:	Drawing Number:	Page: Of:
QA CHK:	Date: Thursday, November 1, 2001		Time: 11:17:40 am
Changed by: w14184			

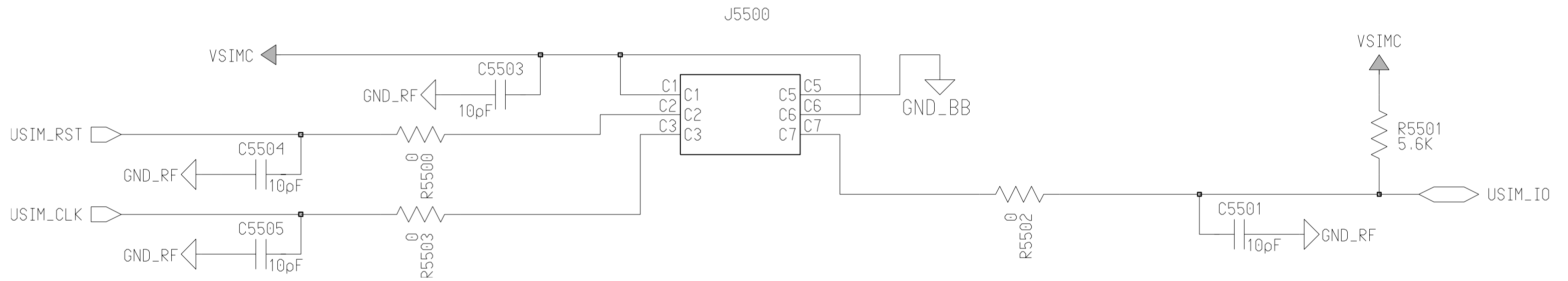
Baseband HB

RF HB

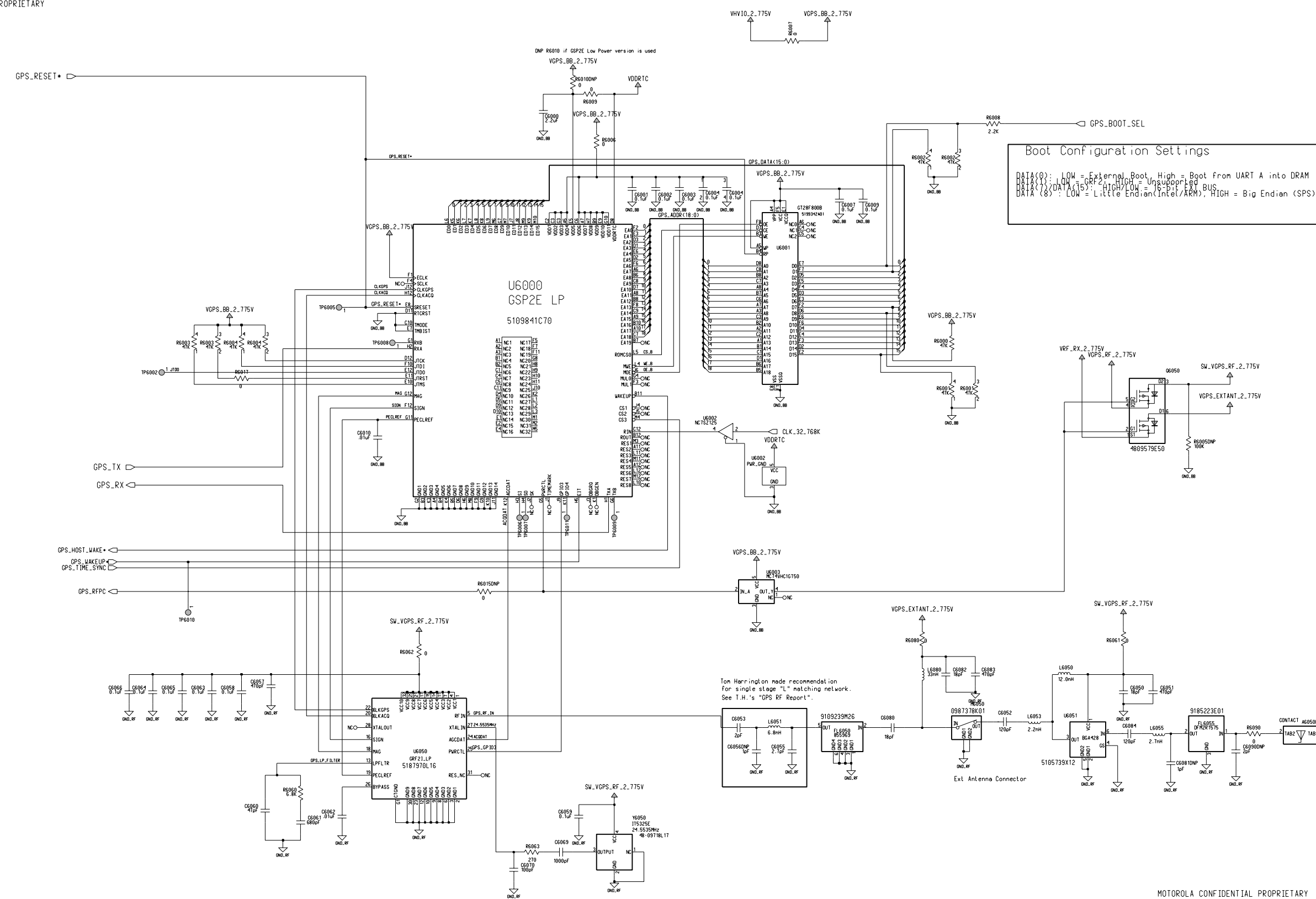




Engineer wjs023	MOTOROLA INC, 600 N US HWY 45 Libertyville, IL		
Drawn by wjs023			
R&D CHK	TITLE	Size	
DOC CTRL CHK	BB_TOP		
MFG CTRL CHK	Paragon		
QA CHK	REV	Drawing Number	Sheet of
Changed by wjs023	Date Changed Saturday, February 9, 2002	Time 3:40:29 pm	



Engineer: Sunita Gunawan	TITLE: Paragon GPS Block		Size: 11x24
R&D CHK: Sunita Gunawan	REV: Drawing Number: Page: Dr:		
DA CHK:	Date: Wed, Nov 21, 2001		Time: 5:03:26 pm
Changed by: Sunita Gunawan			



Boot Configuration Settings

DATA(0): LOW = External Boot, High = Boot from UART A into DRAM
 DATA(1): LOW = GR2, HIGH = Unsupported
 DATA(7): DATA(15): HIGH/LOW = BUS
 DATA(8): LOW = Little Endian (Intel/ARM), HIGH = Big Endian (SPS)

Tom Harrington made recommendation for single stage "L" matching network. See T.H.'s "GPS RF Report".

1

2


3

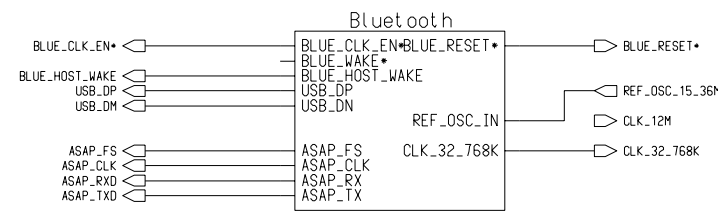
4

5

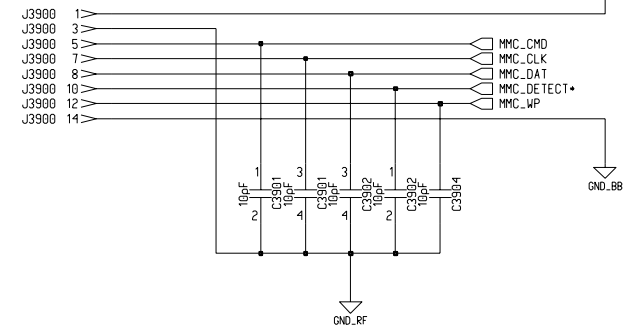
MOTOROLA CONFIDENTIAL PROPRIETARY

4 1 3 A

Engineer: John S. Kerr			
Drawn by: John S. Kerr			
R&D CHK:	TITLE: TALON	Size: 11x21	
DOC CTRL CHK:	USIM/BT Board Connector		
MFG CTRL CHK:	REV: 1	Drawing Number: 1	Page: 1
QA CHK:	Date: Wednesday, August 8, 2001	Time: 4:43:54 pm	
Changed by: John Kerr			



- J3900 2V --- ONC
- J3900 4V --- ONC
- J3900 6V --- ONC
- J3900 9V --- ONC
- J3900 11V --- ONC
- J3900 13V --- ONC



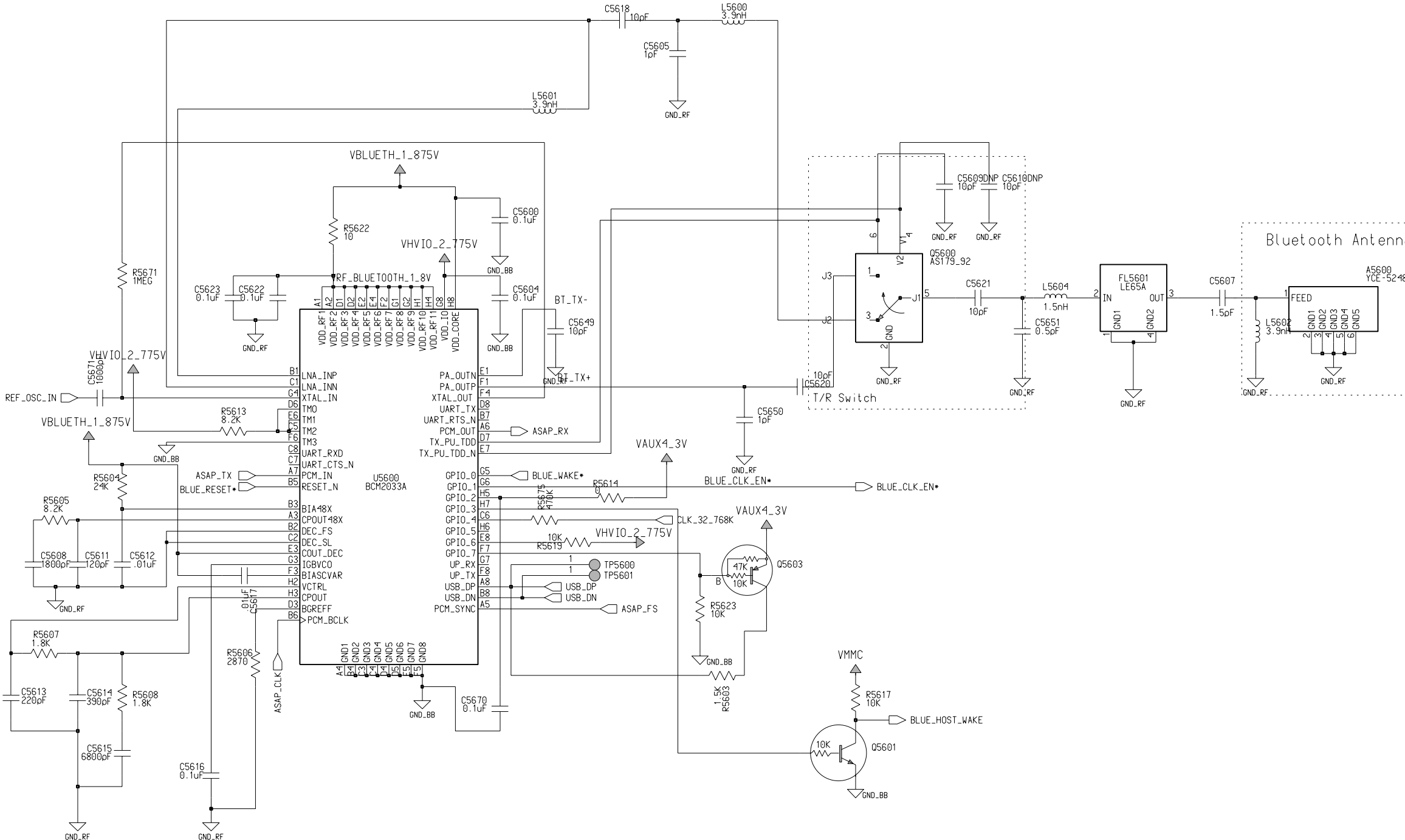
A

B

C

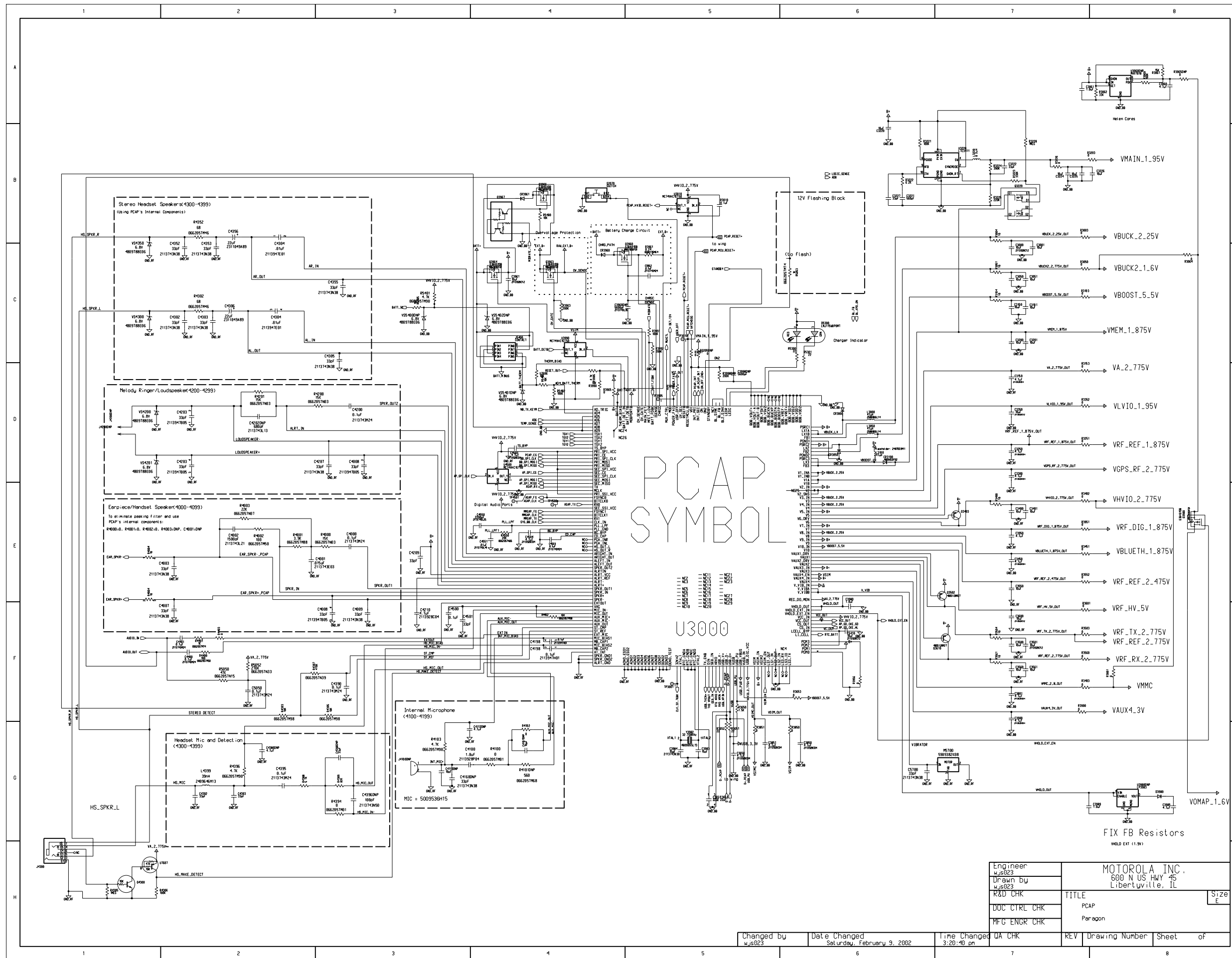
D

MOTOROLA CONFIDENTIAL PROPRIETARY



Engineer: John Kerr	MOTOROLA INC.		
Drawn by:	TITLE: Bluetooth		
R&D CHK:	REV: Drawing Number:		Page: OF:
DOC CTRL CHK:	REV: Drawing Number:		Page: OF:
MFG CTRL CHK:	REV: Drawing Number:		Page: OF:
QA CHK:	REV: Drawing Number:		Page: OF:
Changed by: John Kerr	Date: November 1, 2001	Time:	

A
B
C
D



Engineer
w.js023
Drawn by
w.js023
R&D CHK
DOC CTRL CHK
MFG ENGR CHK

MOTOROLA INC.
600 N US HWY 45
Libertyville, IL

TITLE
PCAP
Paragon

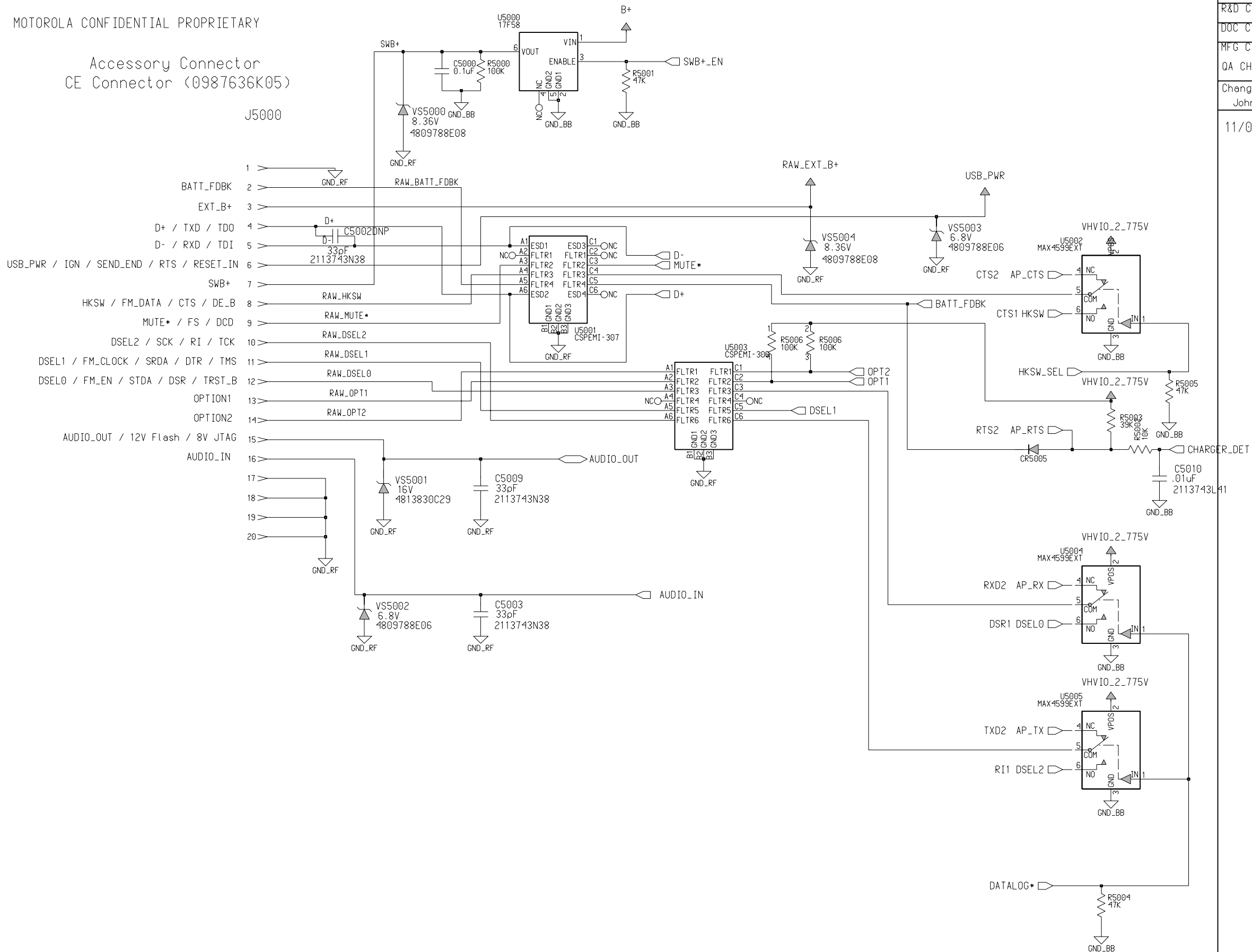
Size
E

Changed by w.js023	Date Changed Saturday, February 9, 2002	Time Changed 3:20:40 pm	QA CHK	REV	Drawing Number	Sheet of
-----------------------	--	----------------------------	--------	-----	----------------	-------------

MOTOROLA CONFIDENTIAL PROPRIETARY

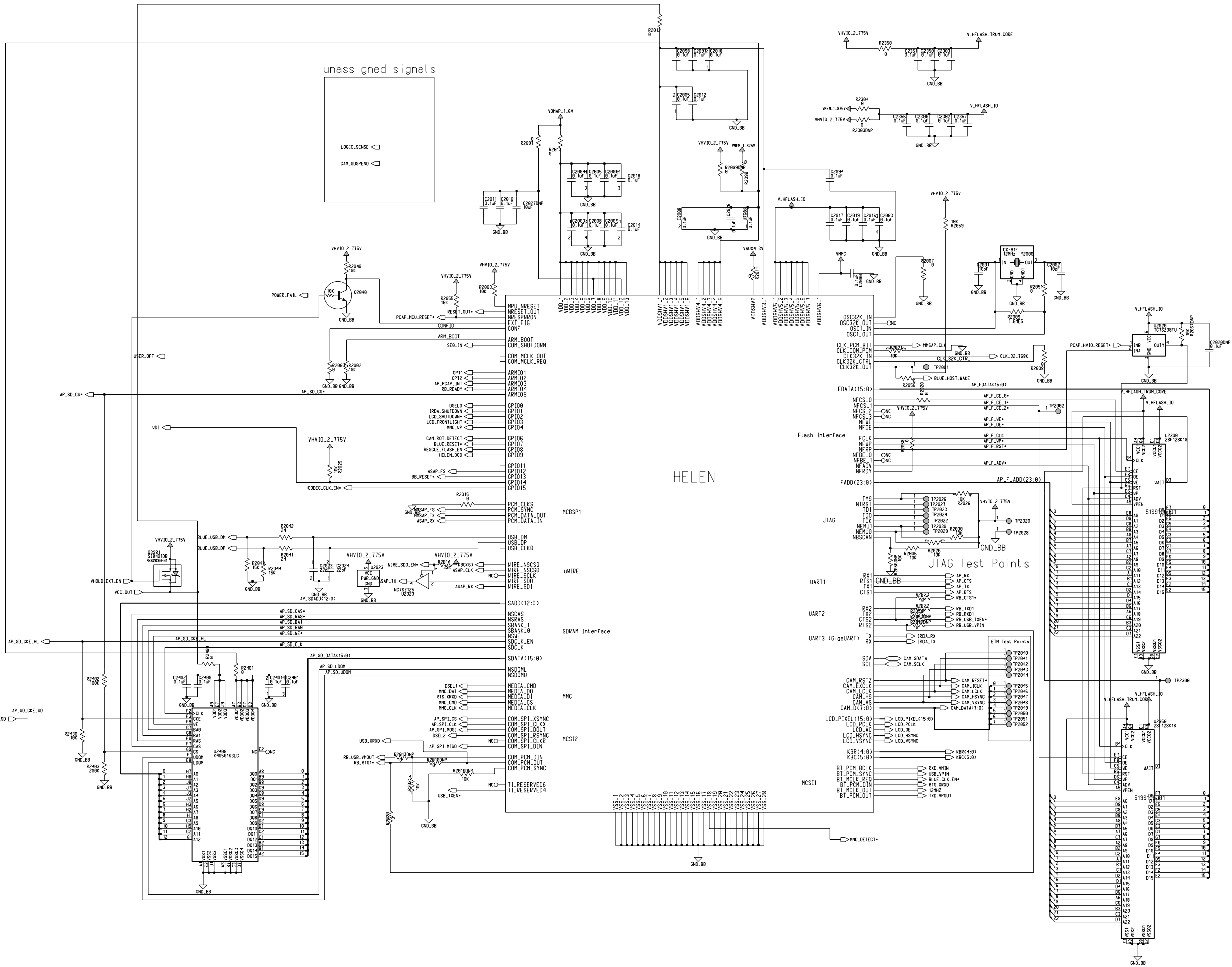
Accessory Connector CE Connector (0987636K05)

J5000



Engineer: John Kerr			
Drawn by:			
R&D CHK:	TITLE: PARAGON	Size:	
DOC CTRL CHK:	CE Accessory Connector		
MFG CTRL CHK:	REV:	Drawing Number:	Page:
QA CHK:	Date: 11/01/01		OF:
Changed by: John S. Kerr	Time:		

11/01/01 Changed bypass ground on Audio IN/OUT from BB to GND_RF.




1

2

3

4

4 1 3 A

Engineer: John Fitzsimons	 MOTOROLA INC.			
Drawn by: John Fitzsimons				
R&D CHK:	TIME: 11x17	Size:		
DOC CTRL CHK:	Display Connector			
MFG CTRL CHK:	0			
QA CHK: w14184	REV: Friday, September 14, 2001	Drawing Number: 1	Page: 1	Of: 1
Changed by:	Date:	Time:		

A

B

C

D

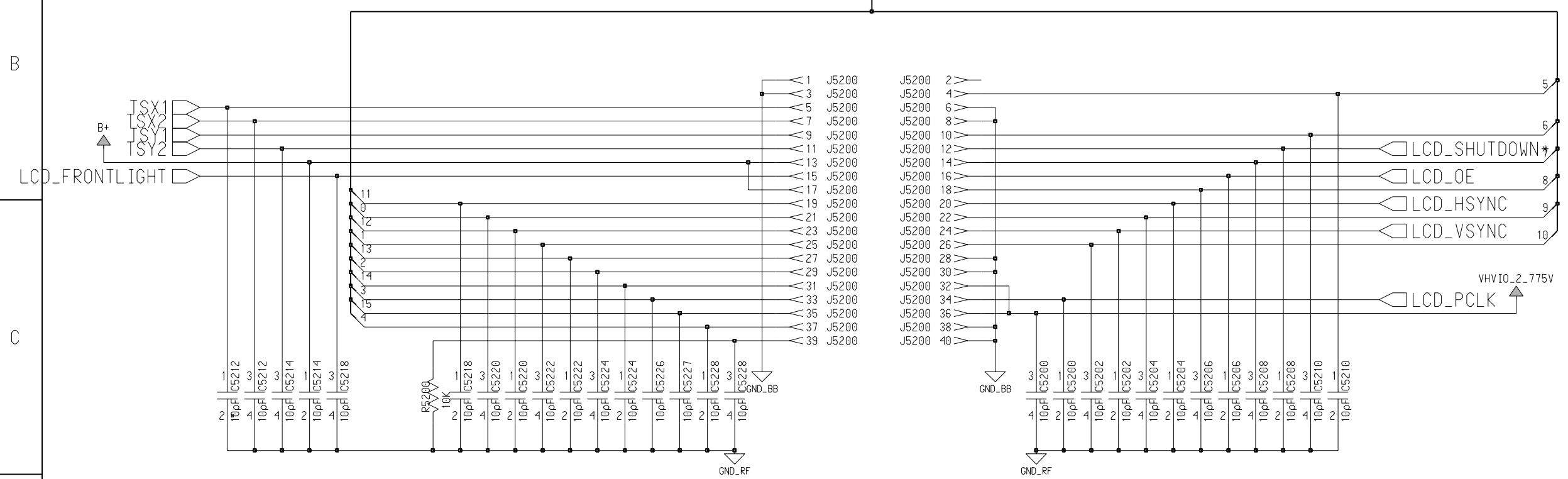
A

B

C

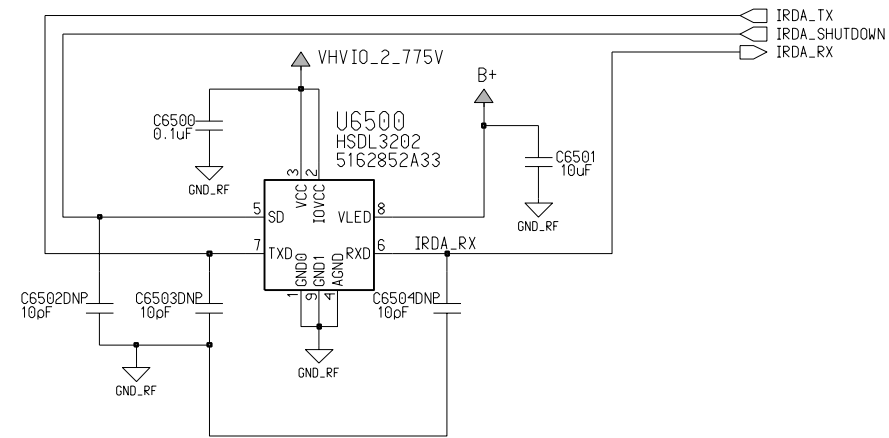
D

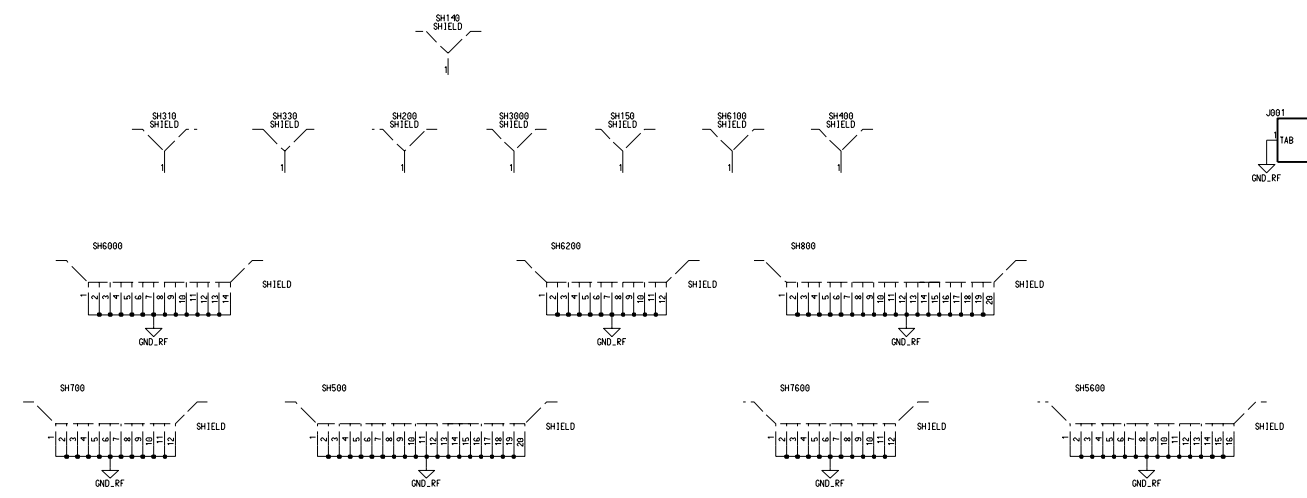
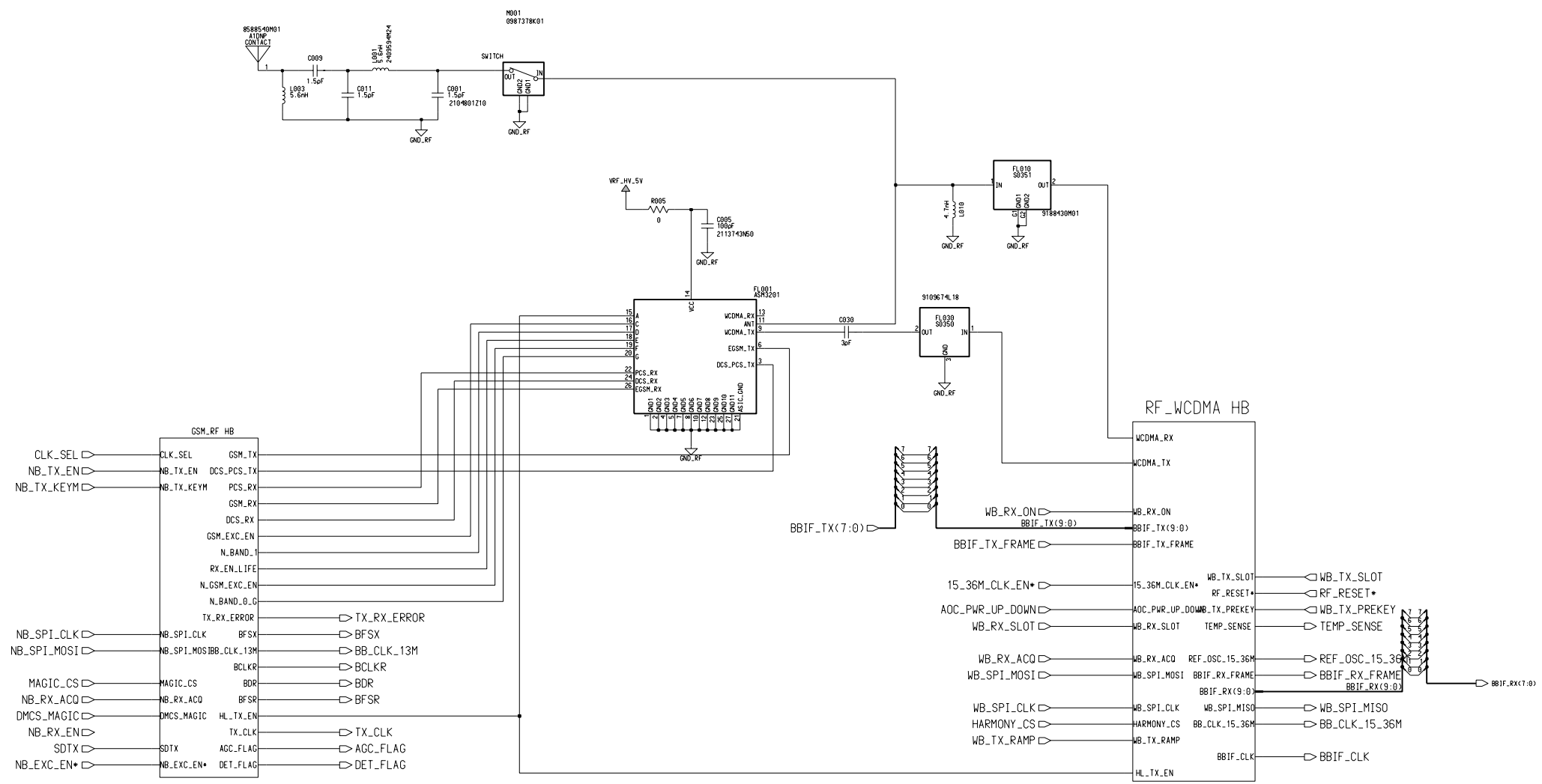
LCD_PIXEL <15:0>



MOTOROLA INTERNAL USE ONLY

Engineer:	MOTOROLA INC.		
Drawn by:			
R&D CHK:	TITLE:	Size:	
DOC CTRL CHK:			
MFG CTRL CHK:			
QA CHK:	REV:	Drawing Number:	Page: OF:
Changed by:	Date:	Time:	

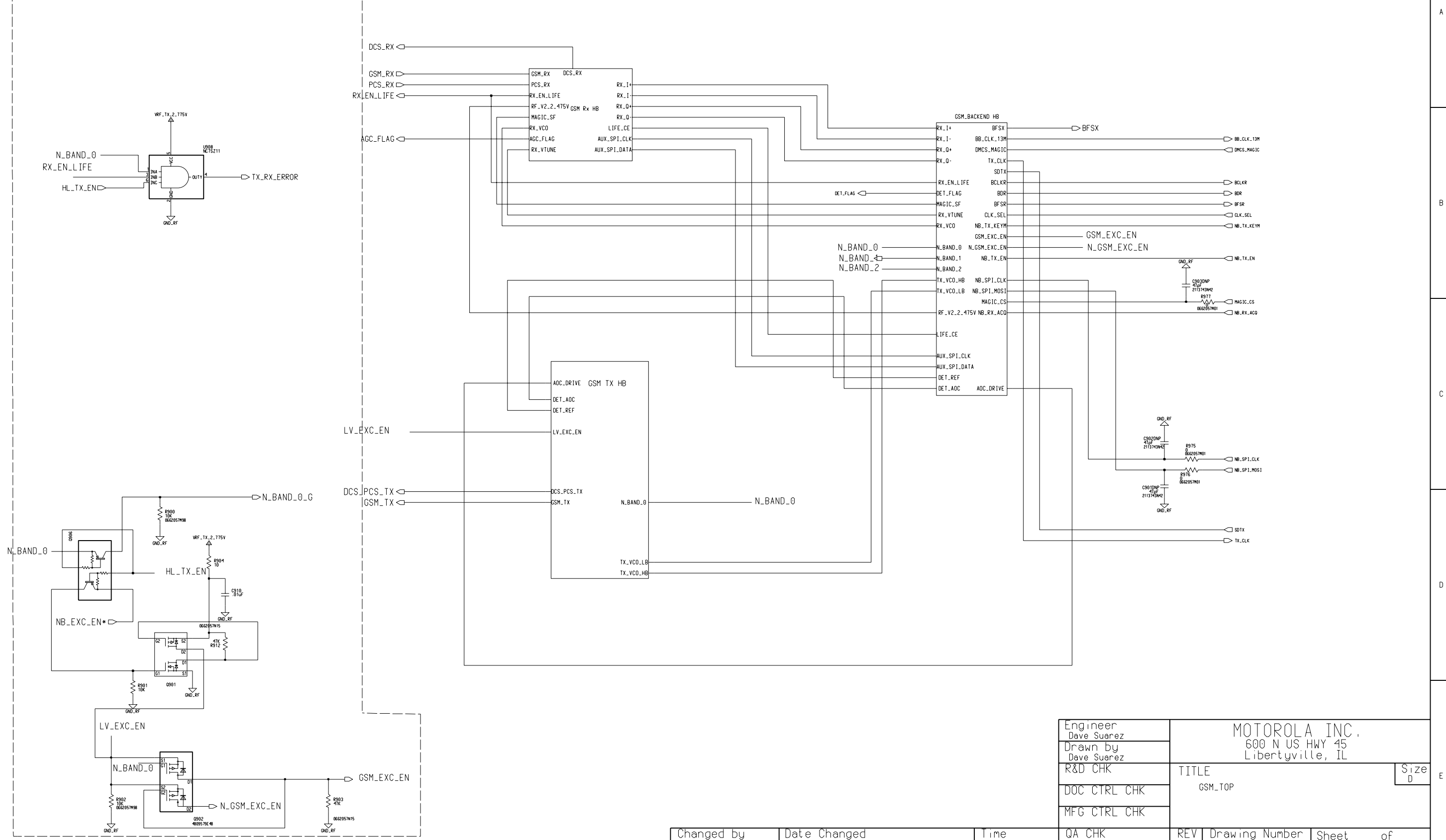




Engineer Dave Suarez	MOTOROLA INC., 600 N US HWY 45 Libertyville, IL		
Drawn by Dave Suarez			
R&D CHK	TITLE	Size D	
DOC CTRL CHK	RF_TOP		
MFG CTRL CHK			
QA CHK	REV	Drawing Number	Sheet of

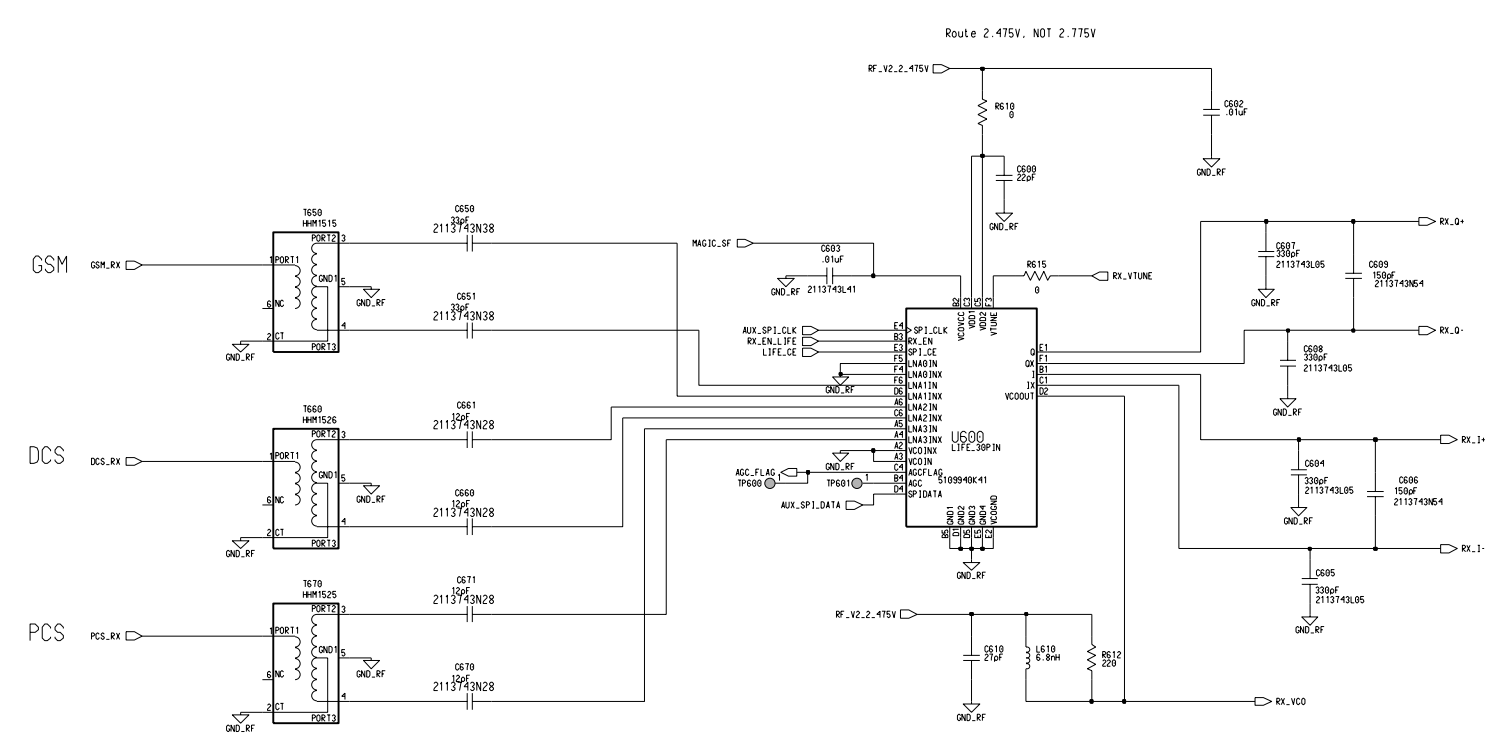
Changed by Dave Suarez	Date Changed Friday, April 20, 2001	Time 3:59:05 pm
---------------------------	--	--------------------

Band Select Circuits REF # 900-925



Engineer Dave Suarez	MOTOROLA INC. 600 N US HWY 45 Libertyville, IL		
Drawn by Dave Suarez			
R&D CHK	TITLE	Size	D
DOC CTRL CHK	GSM.TOP		
MFG CTRL CHK			
QA CHK	REV	Drawing Number	Sheet of

Changed by Dave Suarez Date Changed Tuesday, May 1, 2001 Time 11:34:44 am



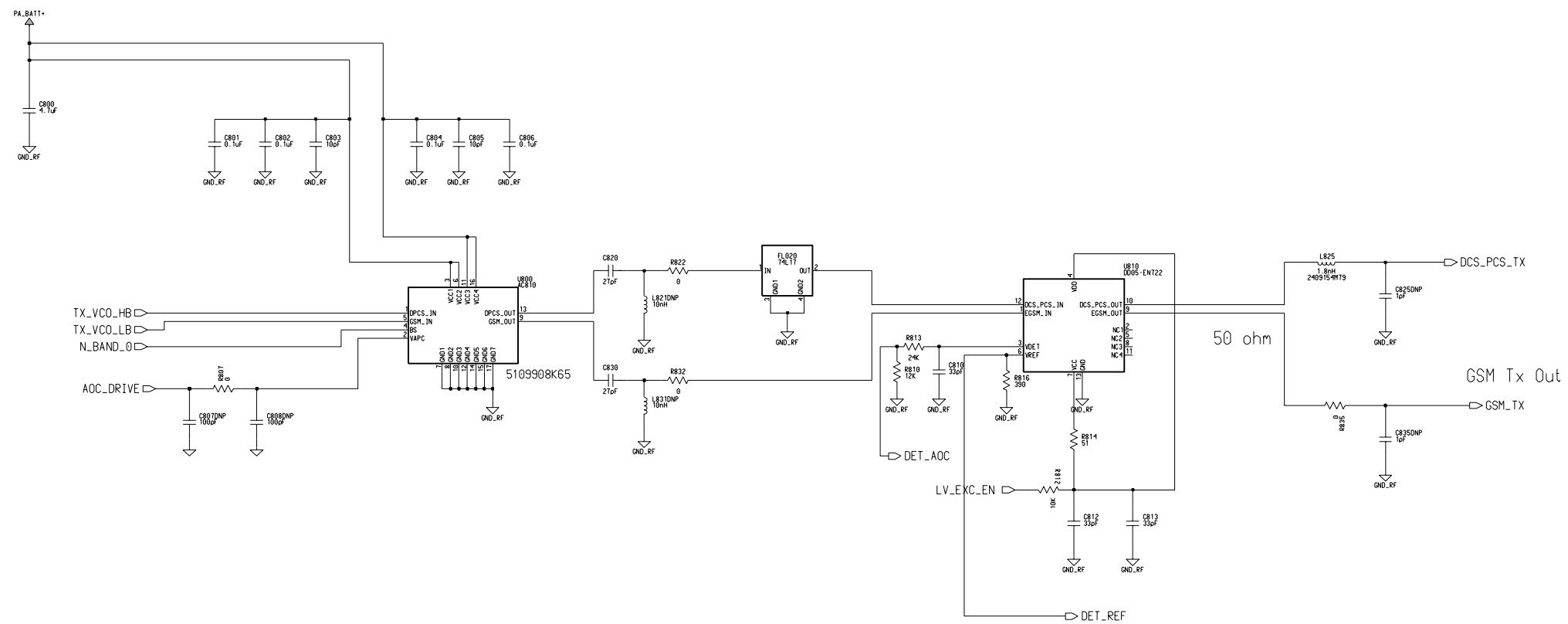
LIFE IC
REF # 600-649

RX FRONT END FILTERS REF # 650-699

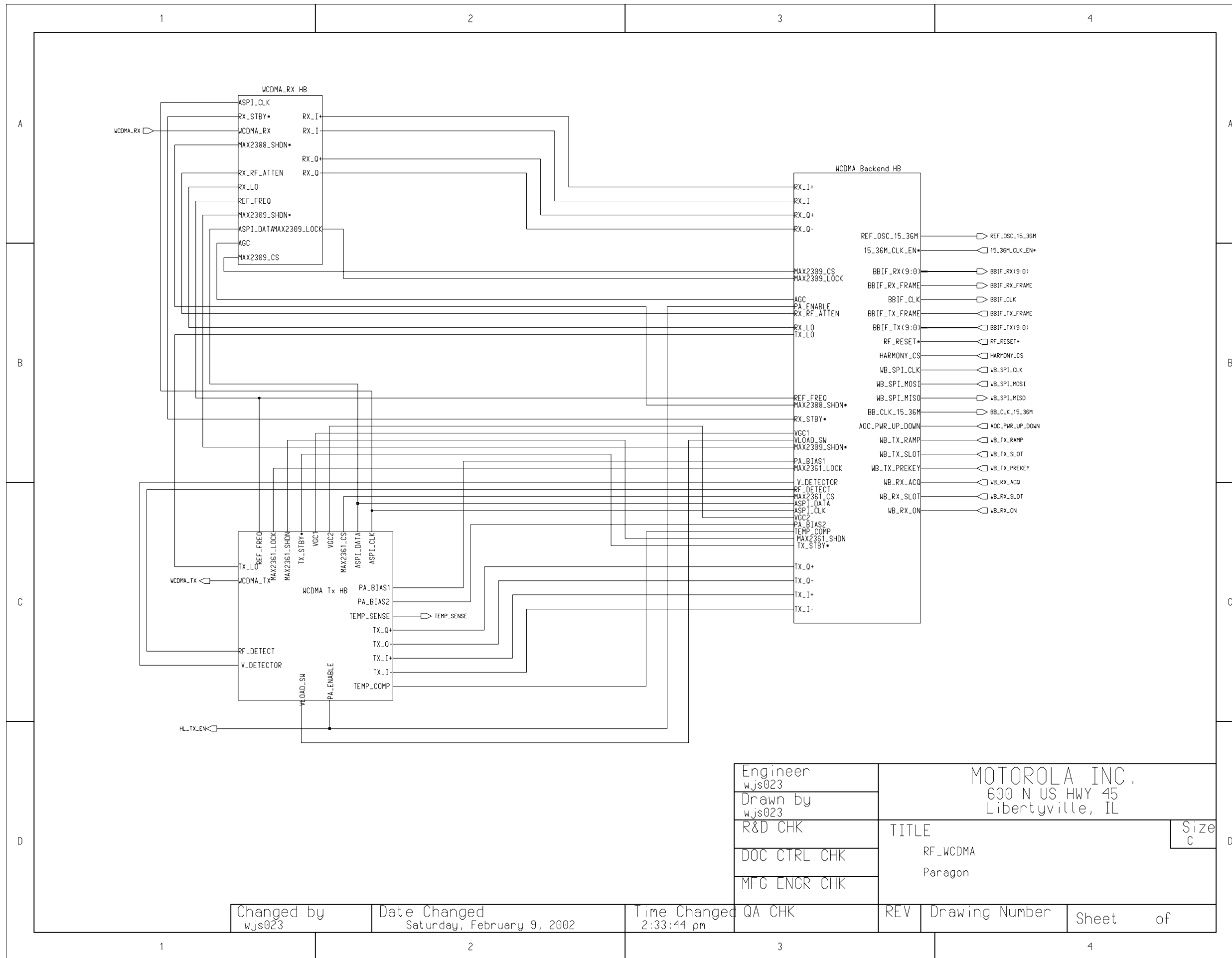
Engineer Brian Elfers	MOTOROLA INC. 600 N US HWY 45 Libertyville, IL		
Drawn by Brian Elfers			
R&D CHK	TITLE	Size D	
DOC CTRL CHK	GSM_Rx		
MFG CTRL CHK			
QA CHK	REV	Drawing Number	Sheet of

Changed by Dave Suarez	Date Changed Tuesday, May 1, 2001	Time 5:06:46 pm
---------------------------	--------------------------------------	--------------------

GSM Transmitter



Engineer Paul Manente	MOTOROLA INC. 600 N US HWY 45 Libertyville, IL		
Drawn by Paul Manente	TITLE GSM_TX-D GSM_Transmitter		Size D
R&D CHK	REV	Drawing Number	Sheet of
DOC CTRL CHK	QA CHK		
MFG CTRL CHK	Changed by Dave Suarez		
Date Changed Tuesday, May 1, 2001		Time 12:33:12 pm	

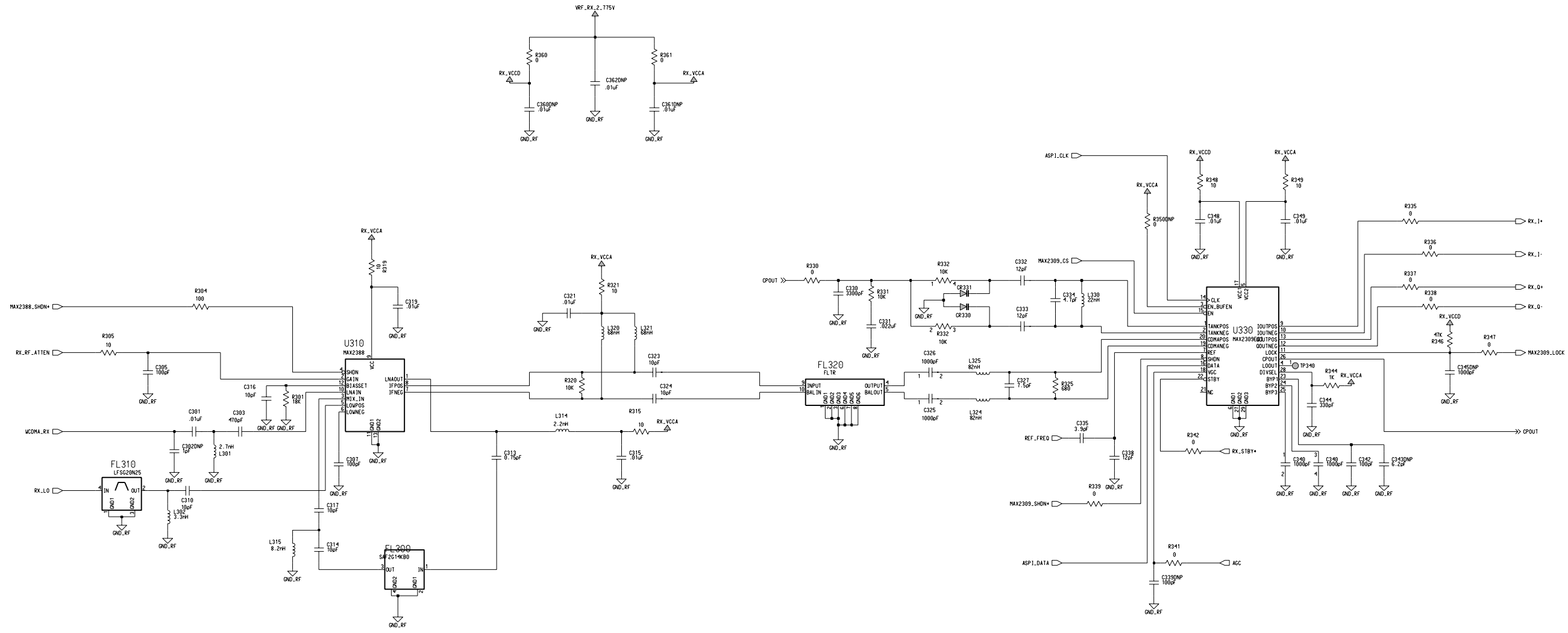


Engineer
wjs023
 Drawn by
wjs023
 R&D CHK
 DOC CTRL CHK
 MFG ENGR CHK
 QA CHK

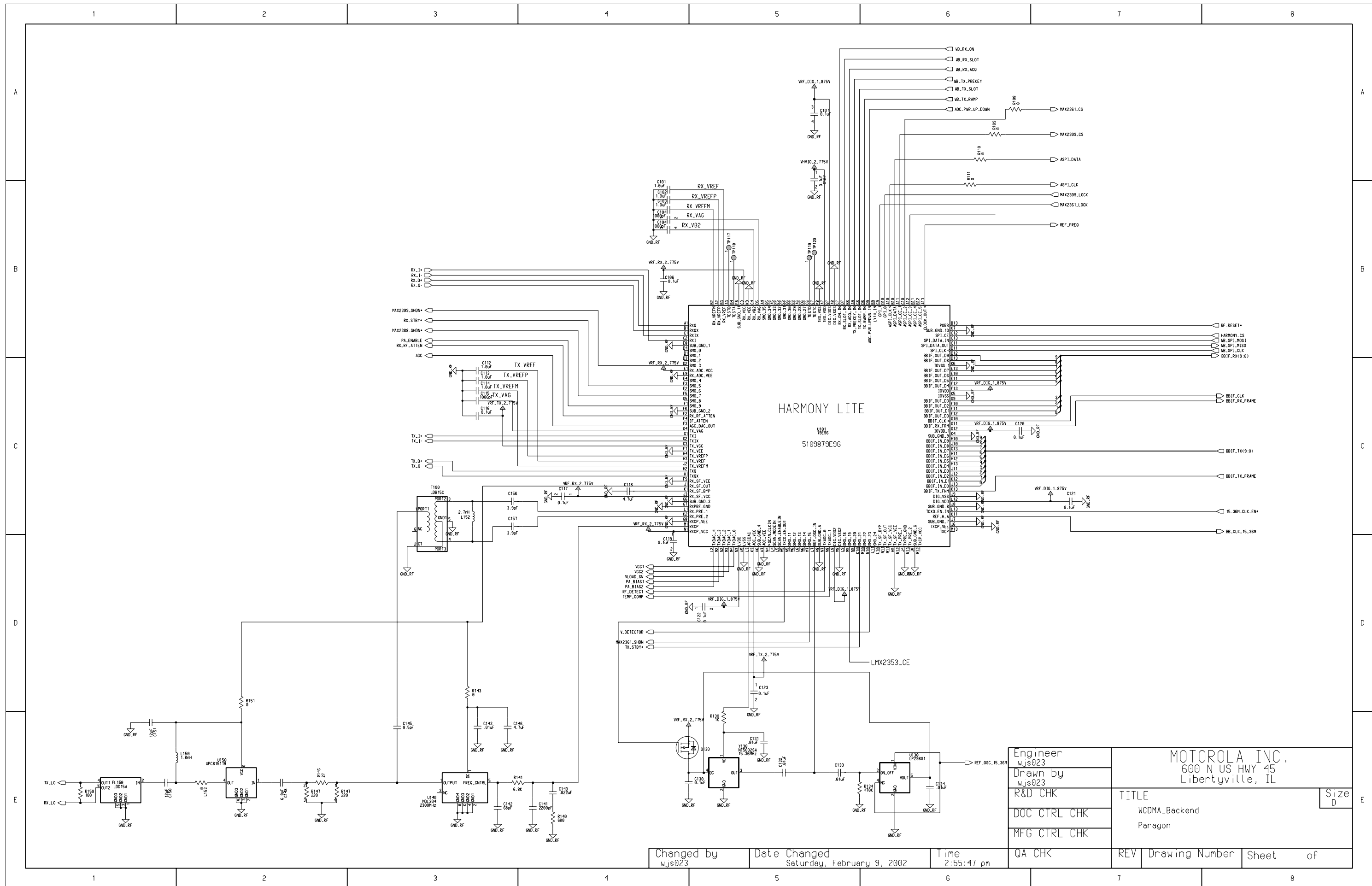
MOTOROLA INC.
 600 N US HWY 45
 Libertyville, IL
 TITLE
 RF_WCDMA
 Paragon
 Size
 C
 REV Drawing Number Sheet of

Changed by
wjs023
 Date Changed
Saturday, February 9, 2002
 Time Changed
2:33:44 pm

1
MOTOROLA INTERNAL USE ONLY



Engineer: Randy Kressner			
Drawn by: Randy Kressner			
DOC CTRL CHK:	TITLE: Morris	Size: D	
MFG CTRL CHK:	WCDMA_Rx		
QA CHK:	REV: Drawing Number:	Page: 1 of 1	
Changed by: Randy Kressner	Date: Thursday, March 22, 2001	Time: 3:10:36 pm	



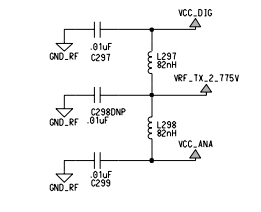
HARMONY LITE
U101
5109879E96

Engineer wjs023	MOTOROLA INC. 600 N US HWY 45 Libertyville, IL		
Drawn by wjs023	TITLE WCDMA_Backend Paragon		
R&D CHK	REV	Drawing Number	Sheet of
DOC CTRL CHK			
MFG CTRL CHK			
QA CHK			

Changed by wjs023	Date Changed Saturday, February 9, 2002	Time 2:55:47 pm
----------------------	--	--------------------

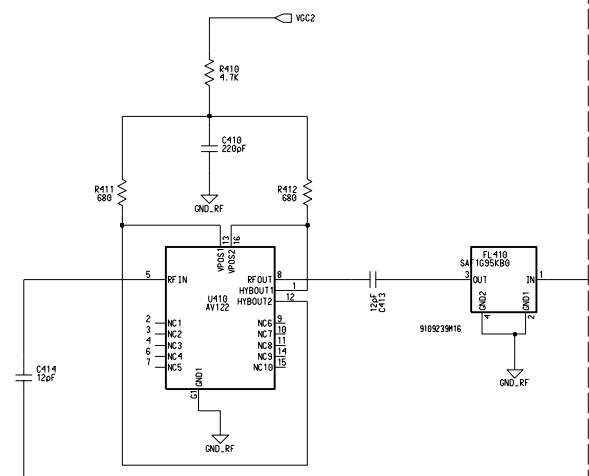
A
B
C
D
E

A
B
C
D
E

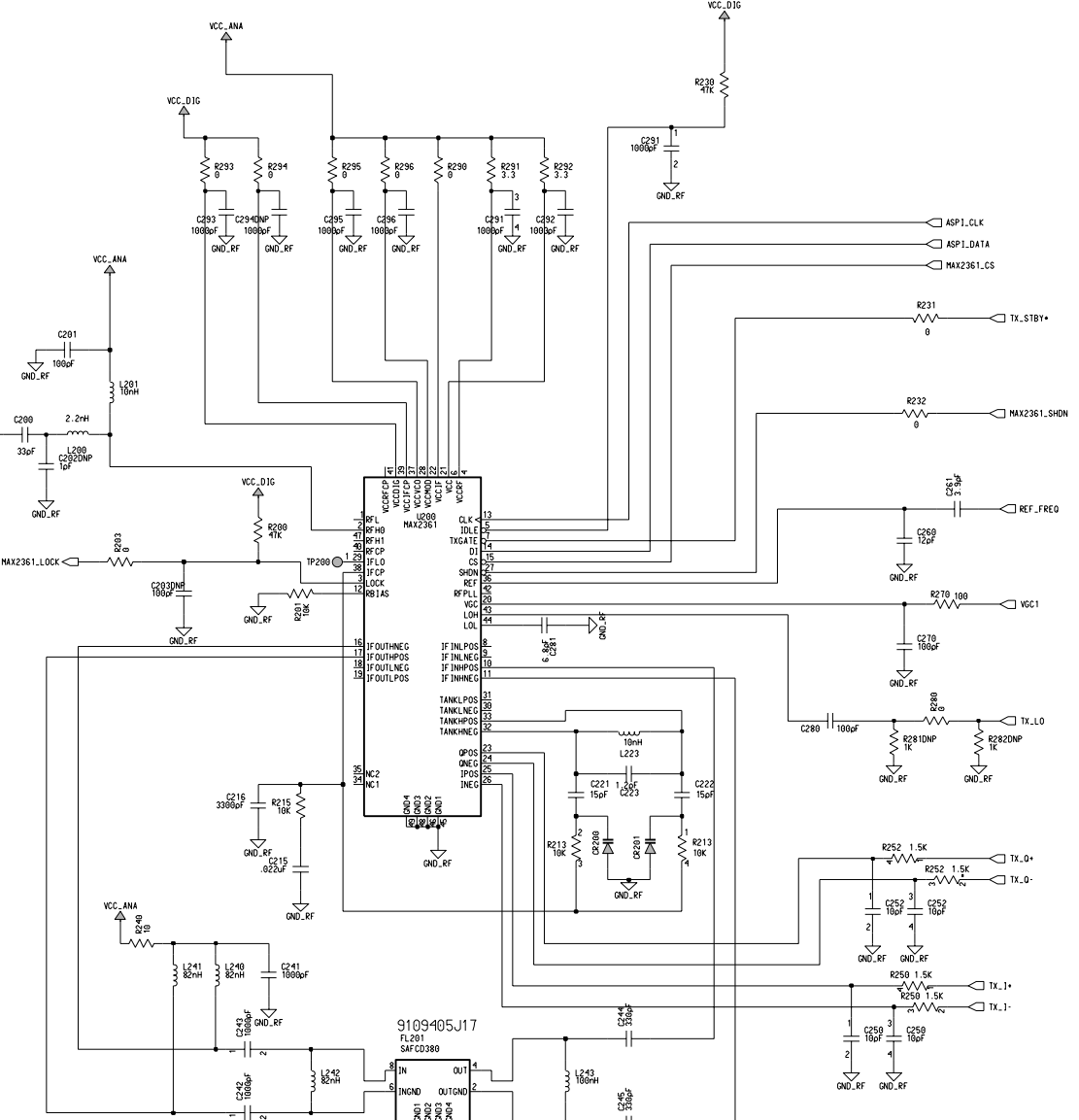


Un-used ports

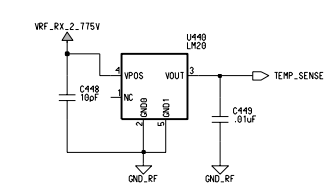
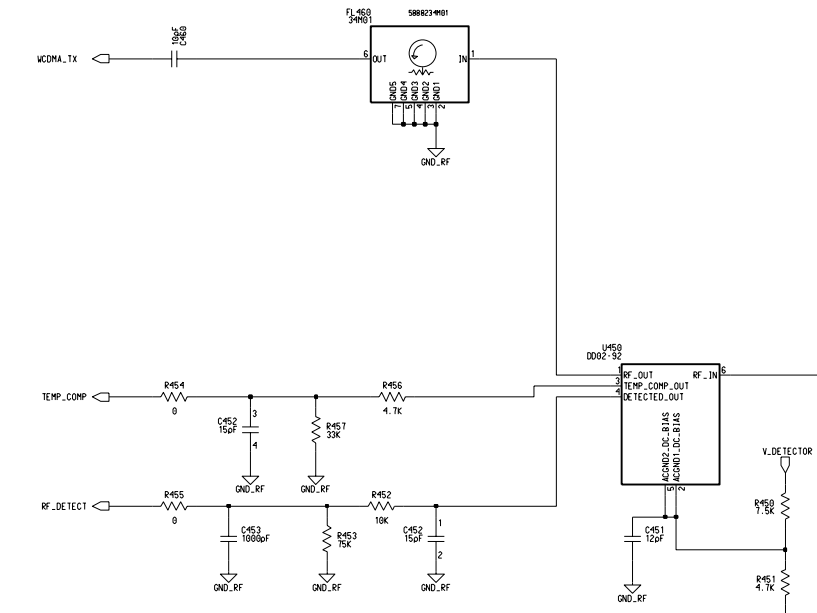
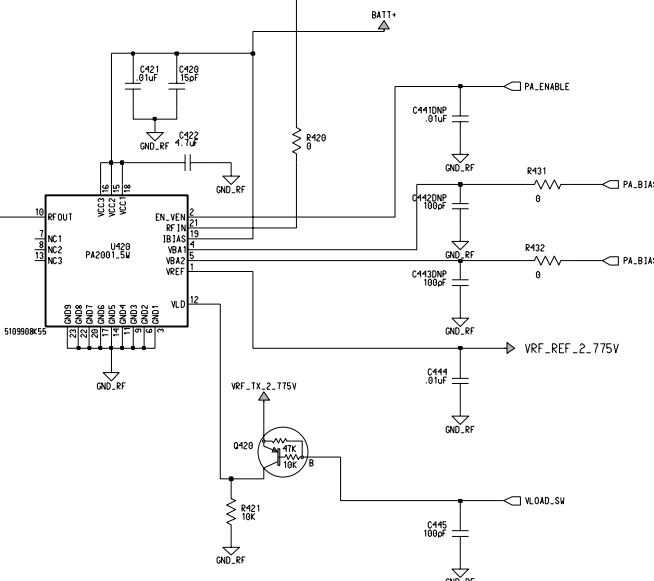
Attenuator and interstage filter 410 - 414



Quadrature modulator and upmixer 200-299



Power Amplifier 420 - 449



Engineer John Mura	COMPANY NAME		
Drawn by John Mura	Address		
R&D CHK	City		Size D
DOC CTRL CHK	TITLE WCDMA_Tx		
MFG CTRL CHK	REV		
QA CHK	Drawing Number	Sheet 1	of 1