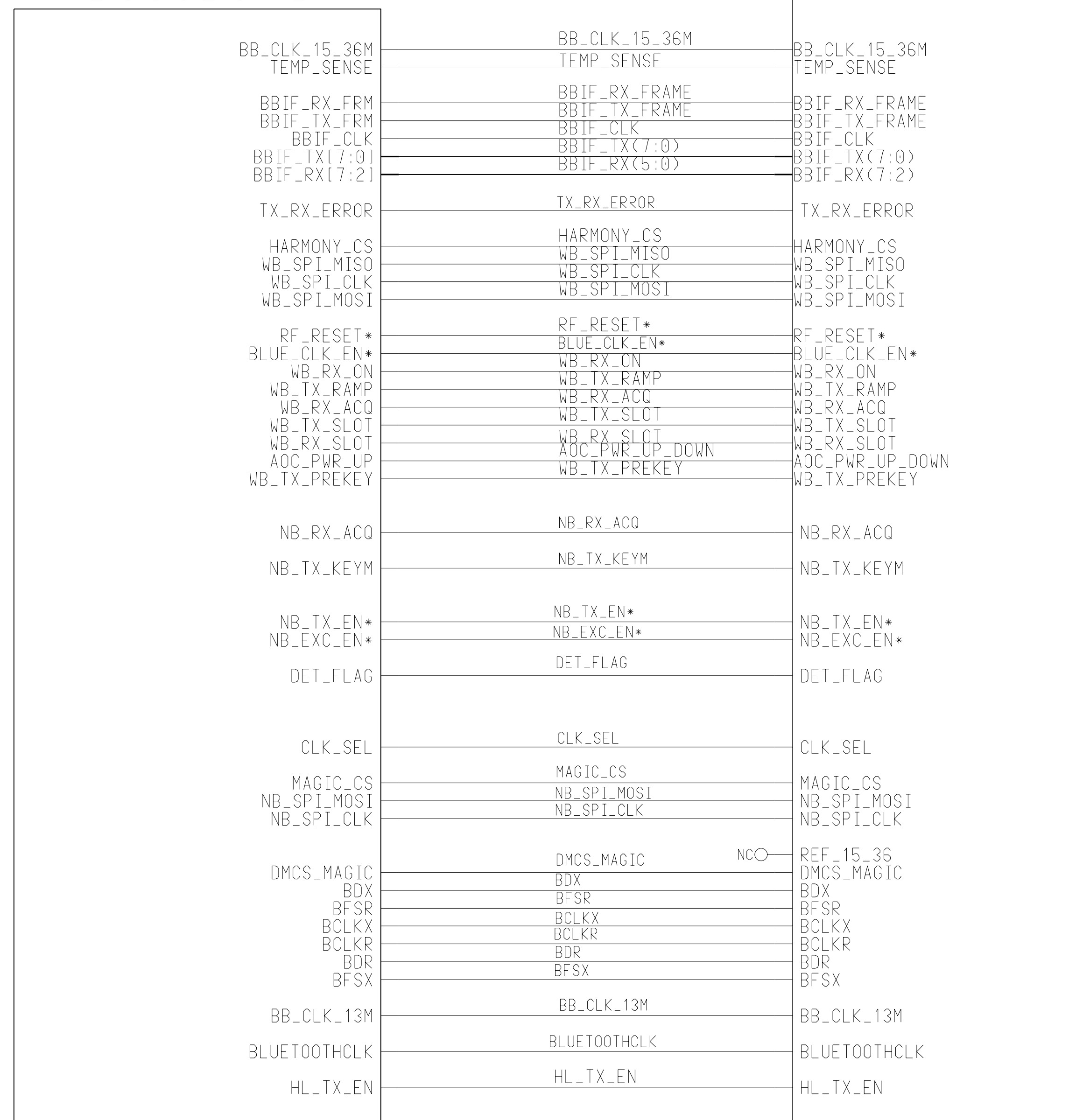
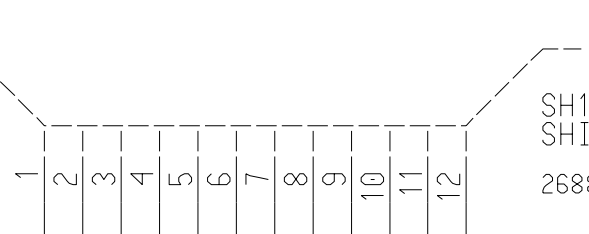
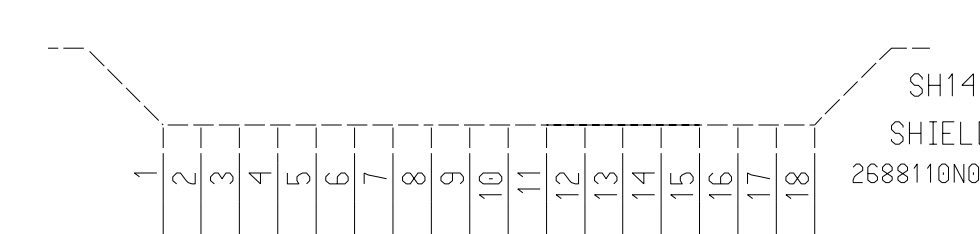
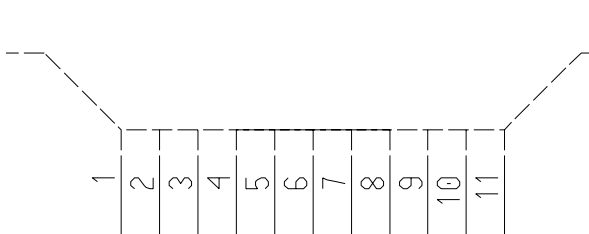
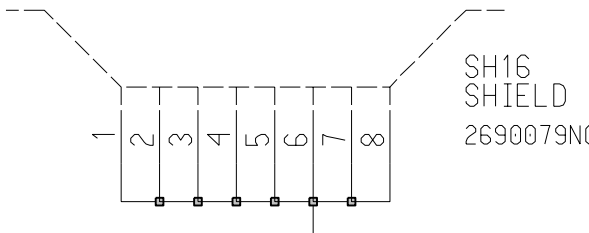
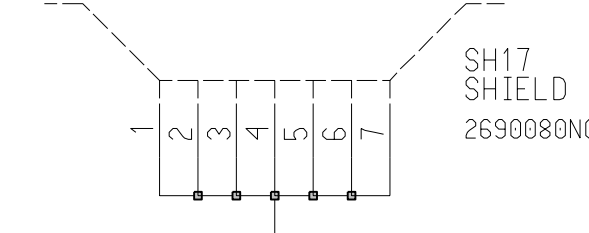
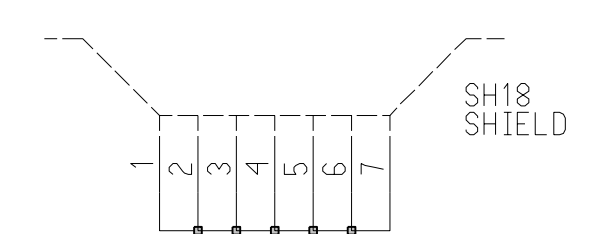
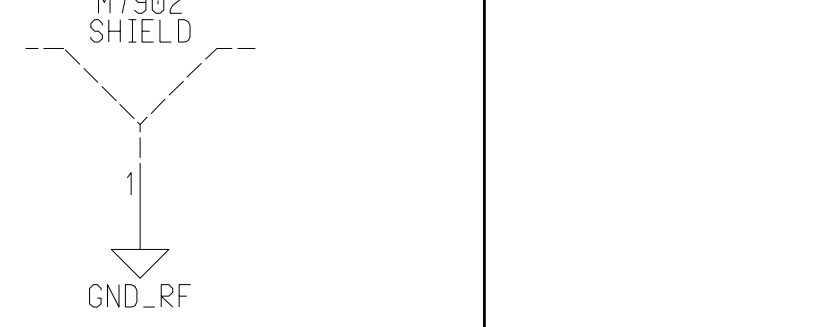
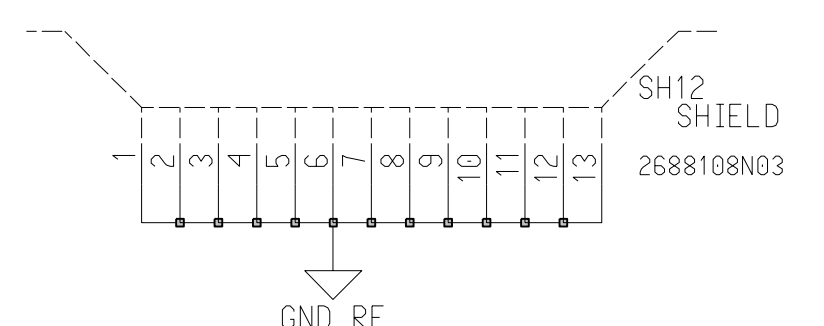
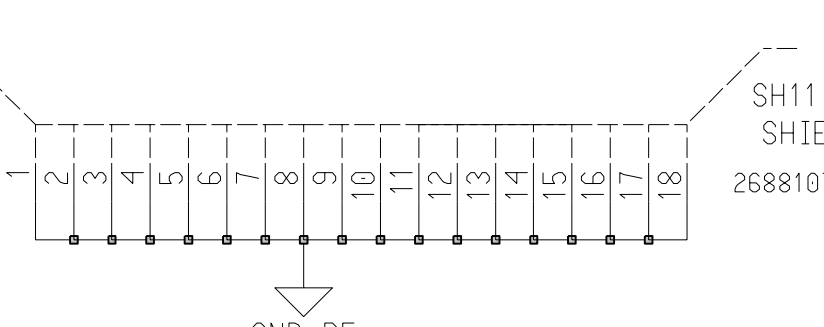
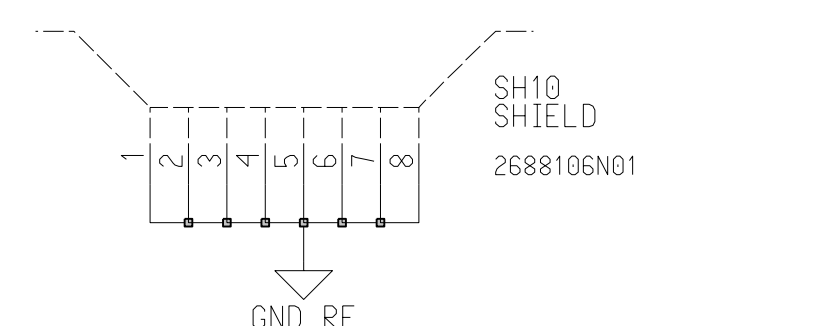
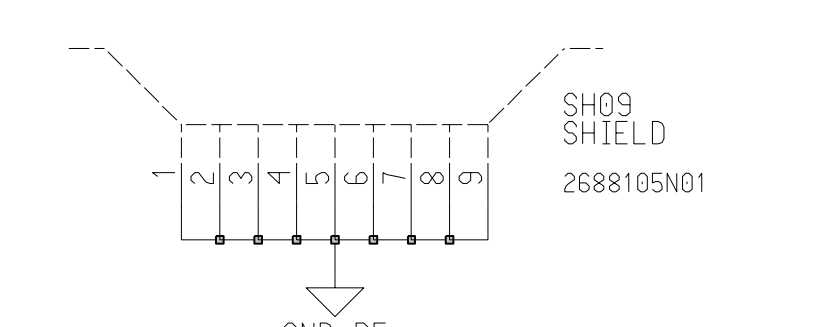
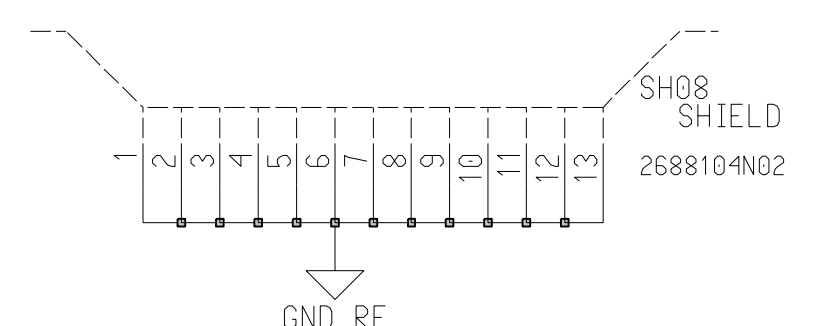
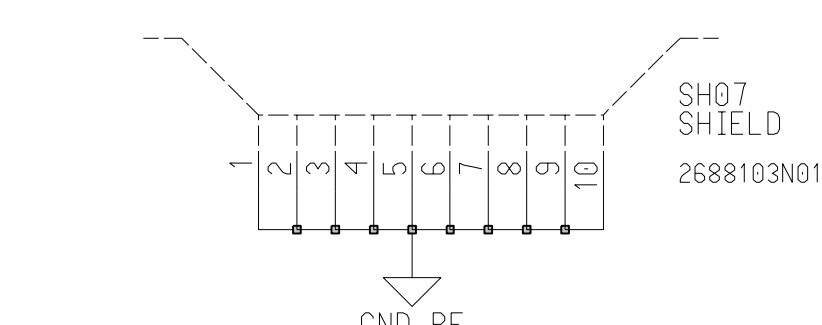
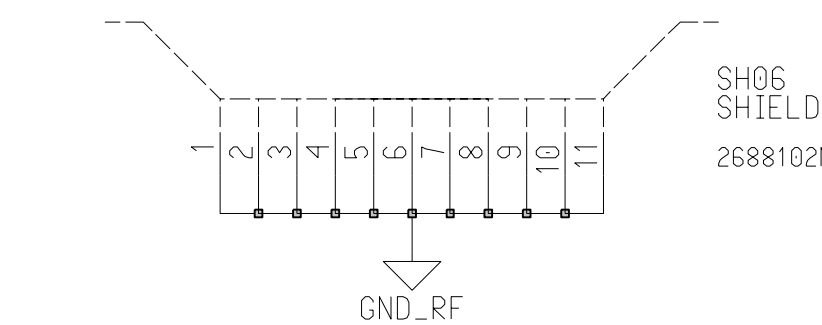
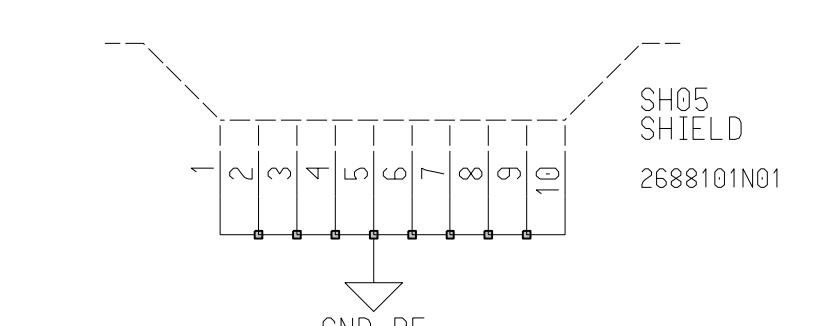
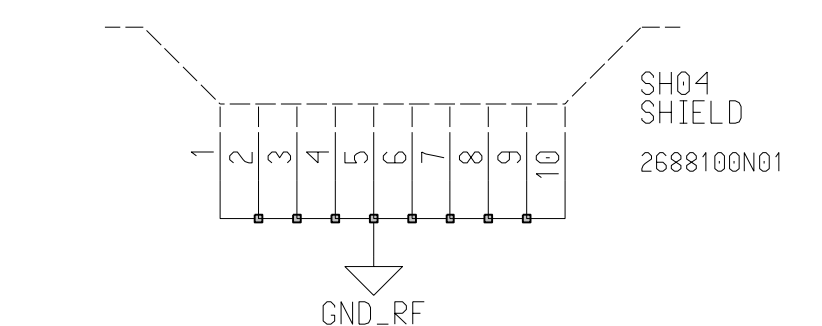
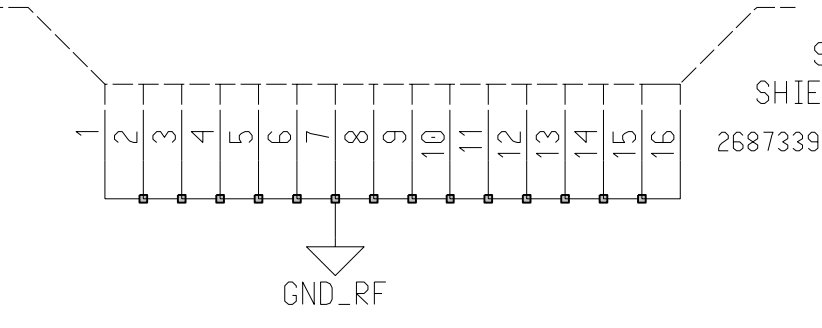
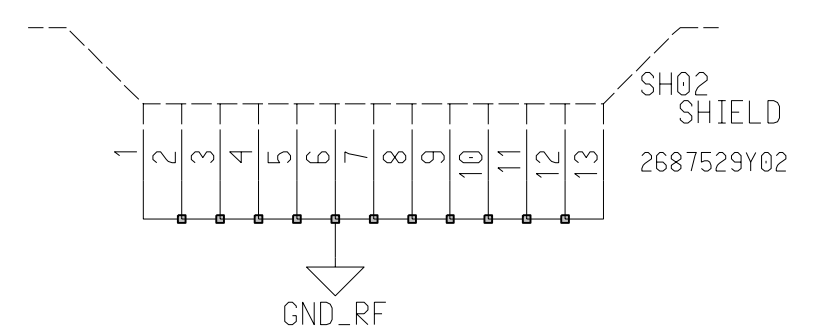
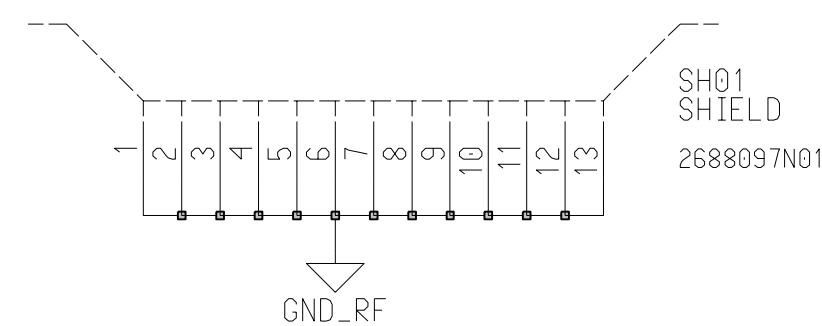


Baseband

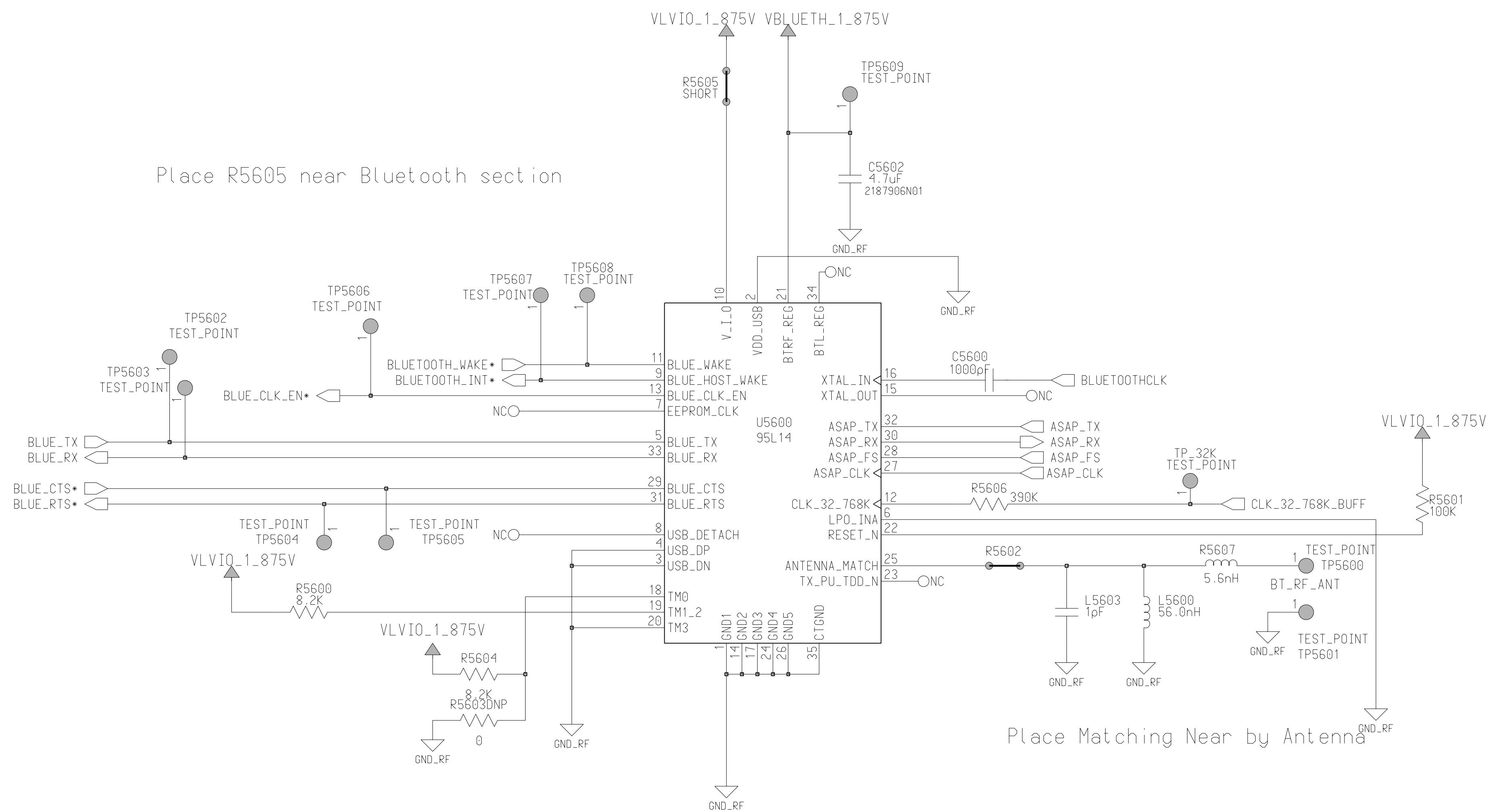
RF



Engineer: Ed Naddeo	TITLE: Talon Integrated			Size: 11x17
Drawn by: Ed Naddeo	Top Level			
R&D CHK:	REV: P3	Drawing Number: 8489804N03	Page:	Of:
DOC CTRL CHK:	Date: January 7, 2003			Time: 10:43:18 am
MFG CTRL CHK:				
QA CHK:				
Changed by: Ed Naddeo				

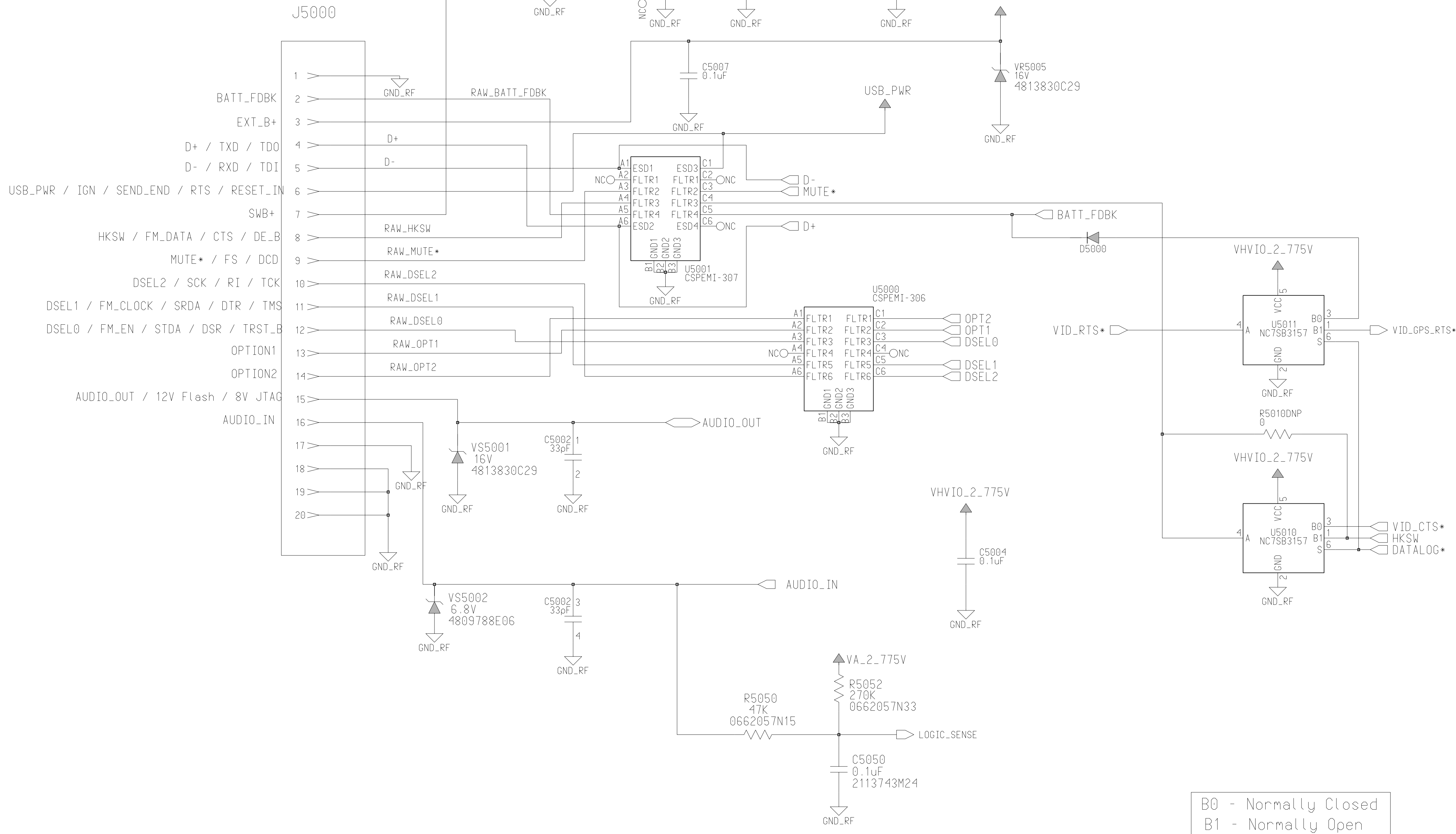


Engineer: Dave Stubbs	MOTOROLA INC.		
Drawn by:	TITLE:	Size:	
R&D CHK:	TALON Integrated Bluetooth		
DOC CTRL CHK:	REV:	Drawing Number:	Page: Of:
MFG CTRL CHK:			
QA CHK:			
Changed by: Dave Suarez	Date: February 24, 2003	Time:	



MOTOROLA CONFIDENTIAL PROPRIETARY

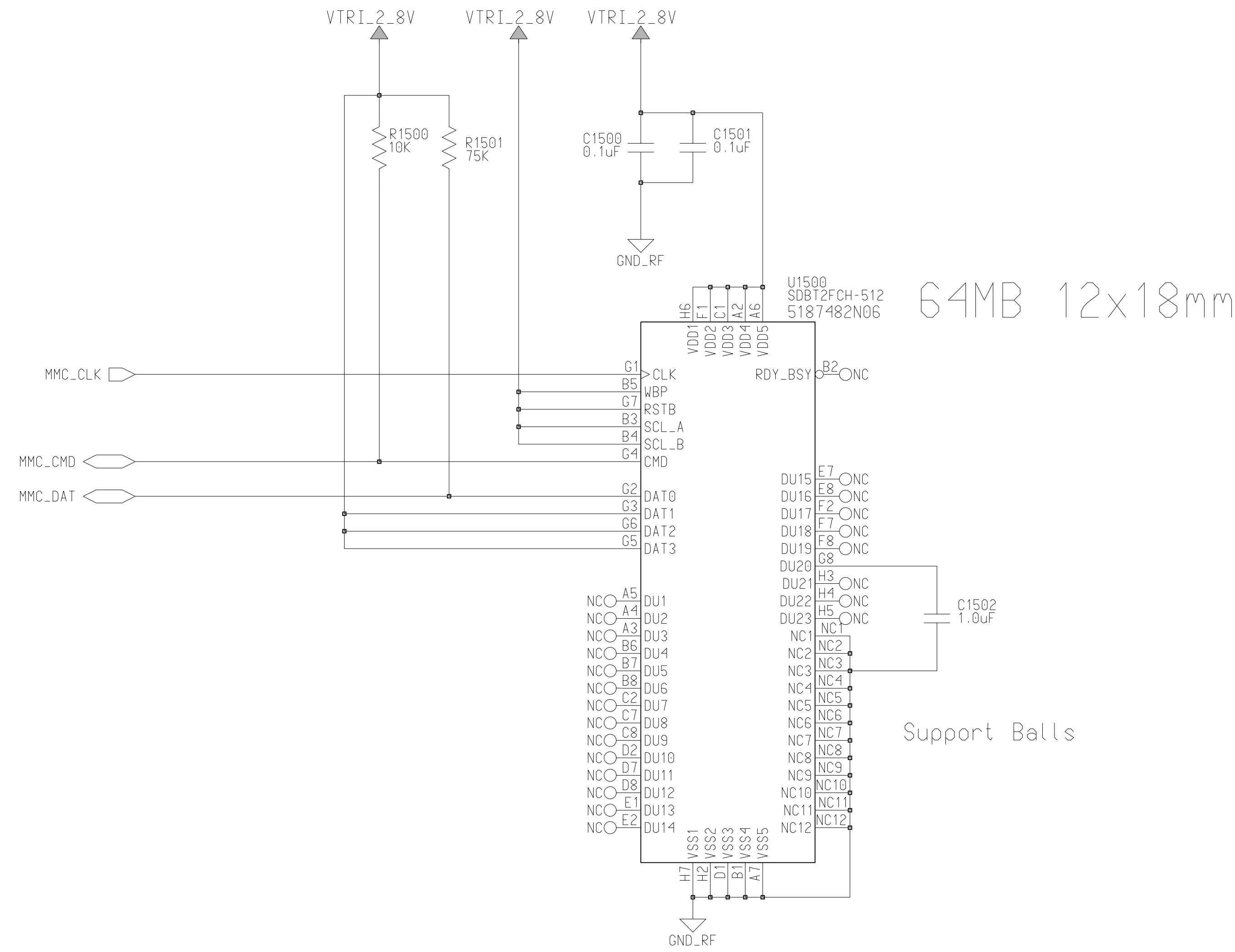
Accessory Connector
CE Connector (0987636K05)



B0 - Normally Closed
B1 - Normally Open
S - Select
A - Common

Engineer: Jennifer Seymour			
Drawn by:			
R&D CHK:	TITLE: TALON Integrated	Size:	
DOC CTRL CHK:	CE Accessory Connector		
MFG CTRL CHK:	REV:	Drawing Number:	Page: Of:
QA CHK:			
Changed by: Ed Naddeo	Date: 4/3/02		Time:

Engineer: Ed Nadeo			
Drawn by: Ed Nadeo			
R&D CHK:	TITLE: Talon Integrated	Size: 11x17	
DOC CTRL CHK:	Embedded SD Flash		
MFG CTRL CHK:			
QA CHK:	REV: 1.0	Drawing Number: 84888888x88	Page: 1
Of: 1	Date: Friday, May 3, 2002		Time: 1:25:03 pm
Changed by: Chris Pipe			



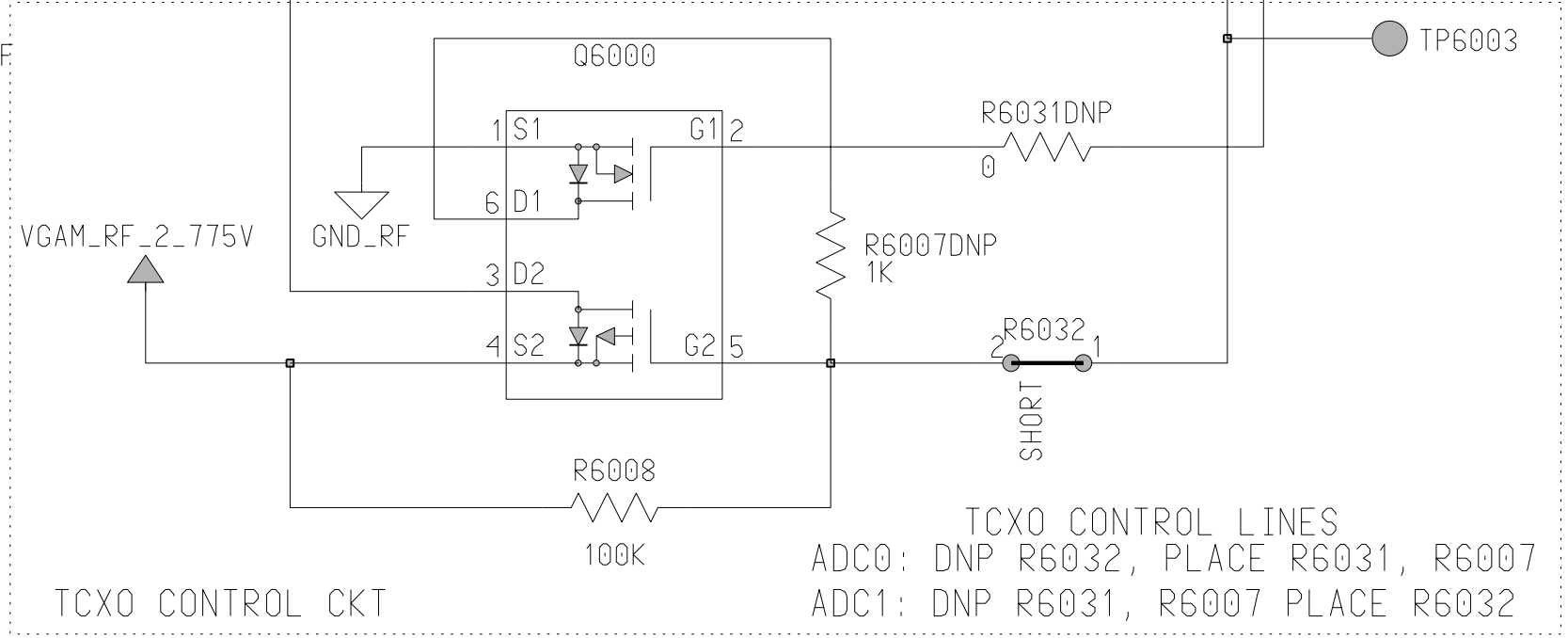
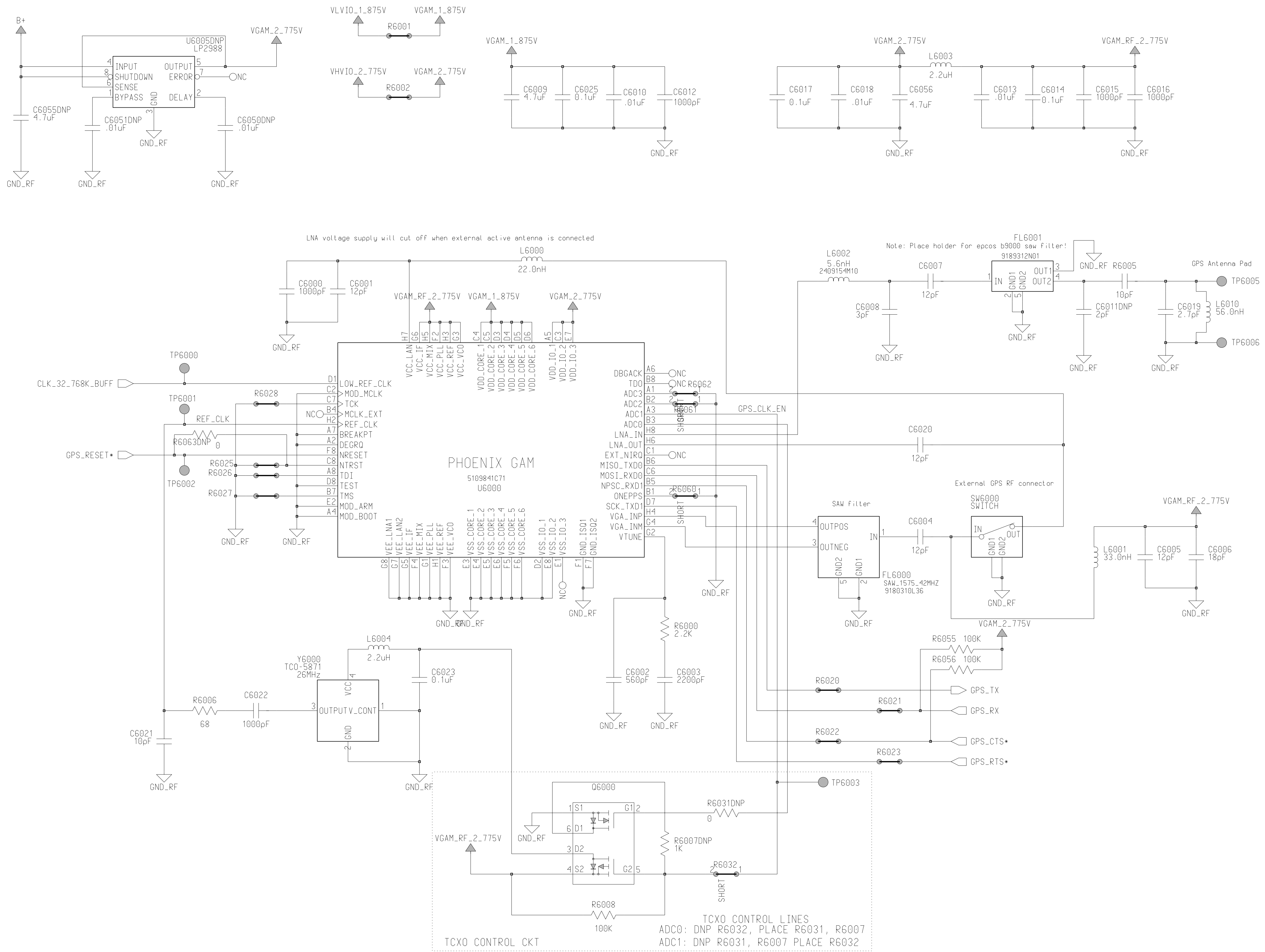
Engineer:
Danny Ng
 Drawn by:
Danny Ng
 R&D CHK:
 DOC CTRL CHK:
 MFG CTRL CHK:
 QA CHK:
 Changed by:
W15660



TITLE: GAM GPS BLOCK for E1000 Size: 11x17

REV: 0.2 Drawing Number: Page: 1 Of: 1

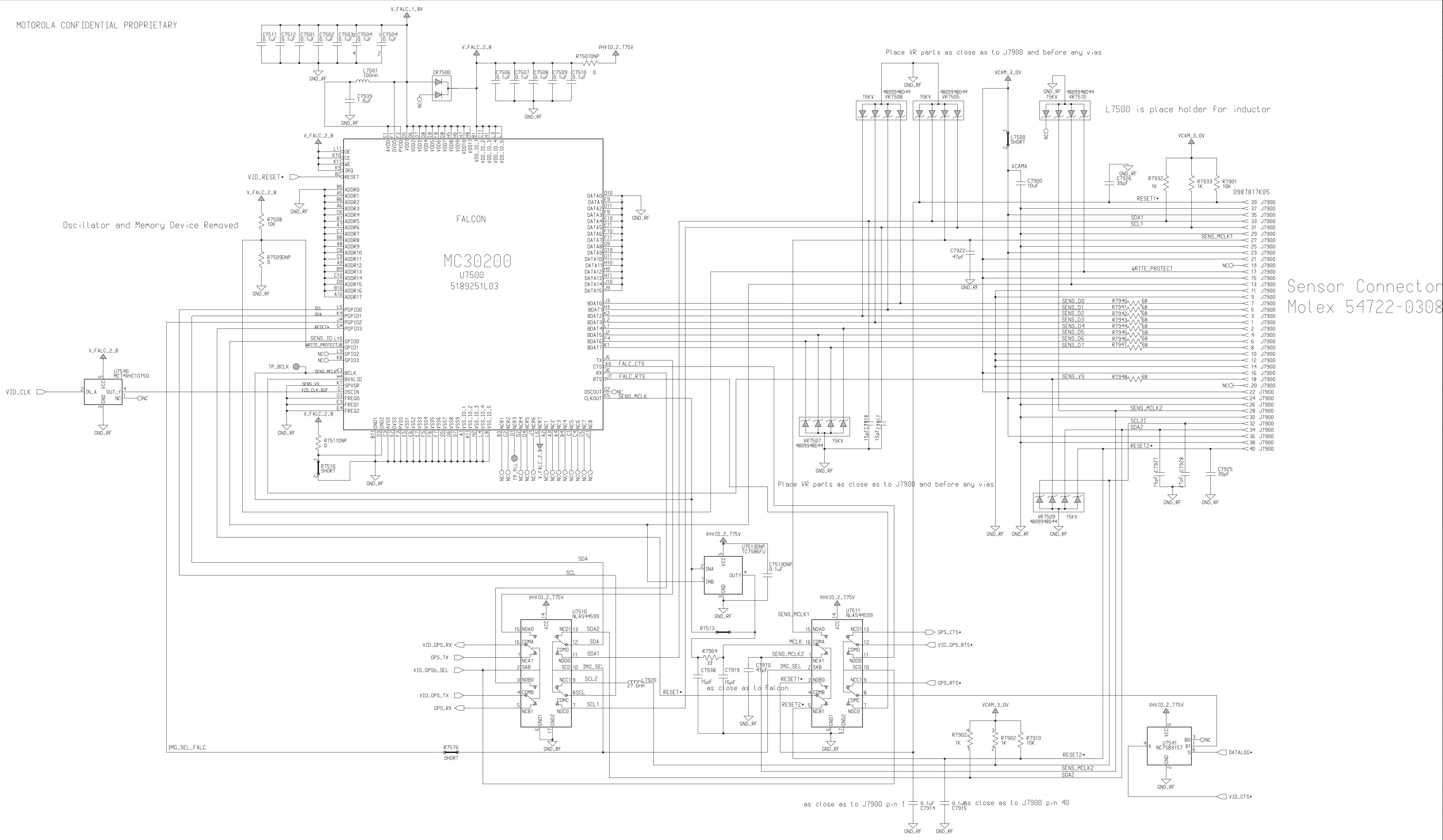
Date: Monday, August 18, 2003 Time: 3:17:11 pm



MOTOROLA CONFIDENTIAL PROPRIETARY

Engineer: Jennifer Seymour	MOTOROLA INC.	
Drawn By: Jennifer Seymour	TITLE: TALON Integrated Falcon Camera	
R&D CHK:	DOC CTRL CHK:	Size:
MFG CTRL CHK:	REV: Drawing Number:	Page:
QA CHK:	Date: Friday, November 9, 2001	Of: 1
Changed by: Jennifer Seymour	Time: 10:21:35 am	

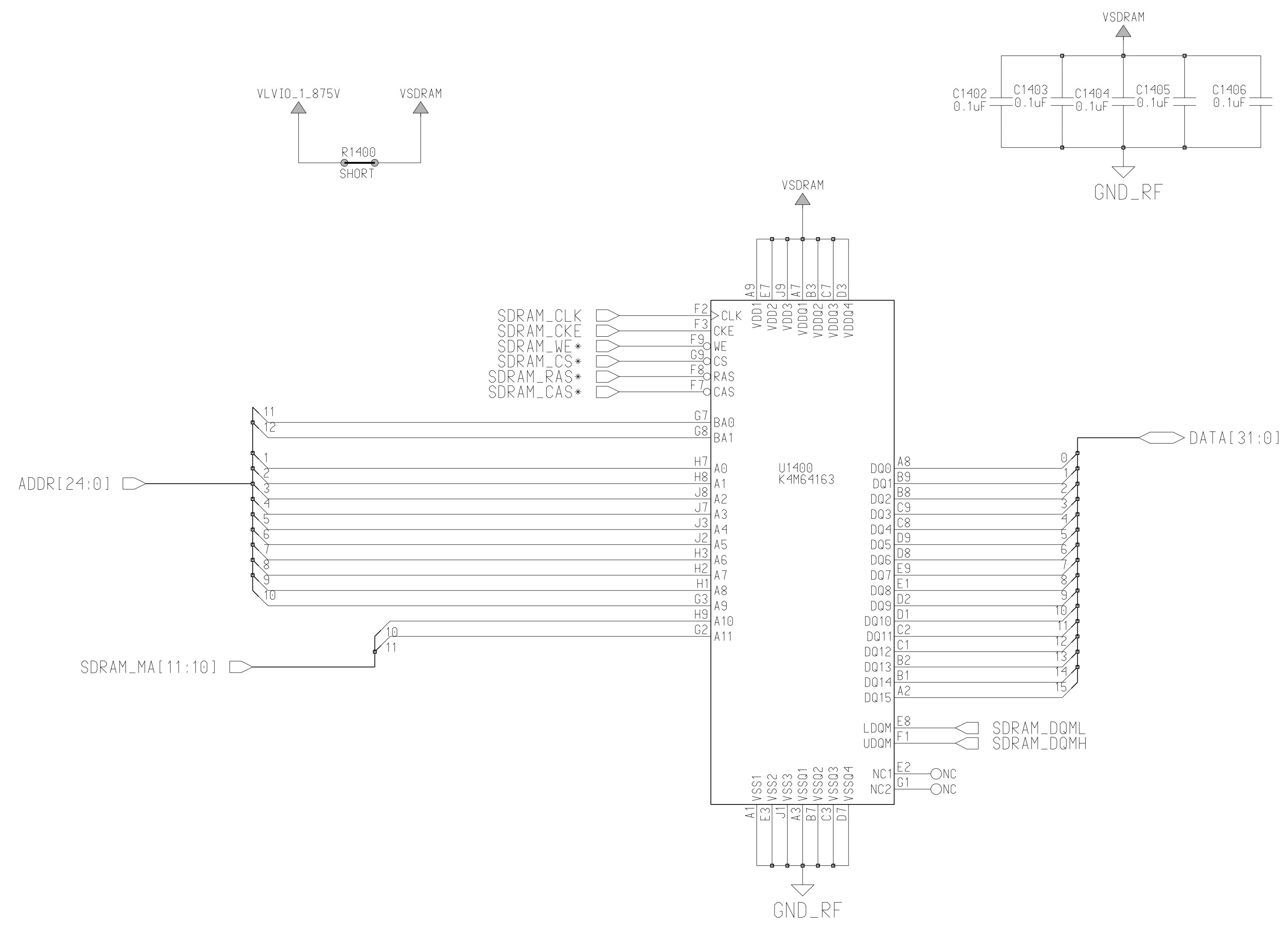
A
B
C
D
E



Sensor Connector
Molex 54722-0308

A
B
C
D
E

Engineer: Ed Nadeo			
Drawn by: Ed Nadeo			
R&D CHK:	TITLE: Talon Integrated 4Mx16 SDRAM	Size: 11x17	
DOC CTRL CHK:			
MFG CTRL CHK:			
QA CHK:	REV: 1.0	Drawing Number: 8488888x88	Page: 1 Of: 1
Changed by: wlen01	Date: Friday, March 1, 2002	Time: 3:37:06 pm	



MOTOROLA INTERNAL USE ONLY

4 1 3 A



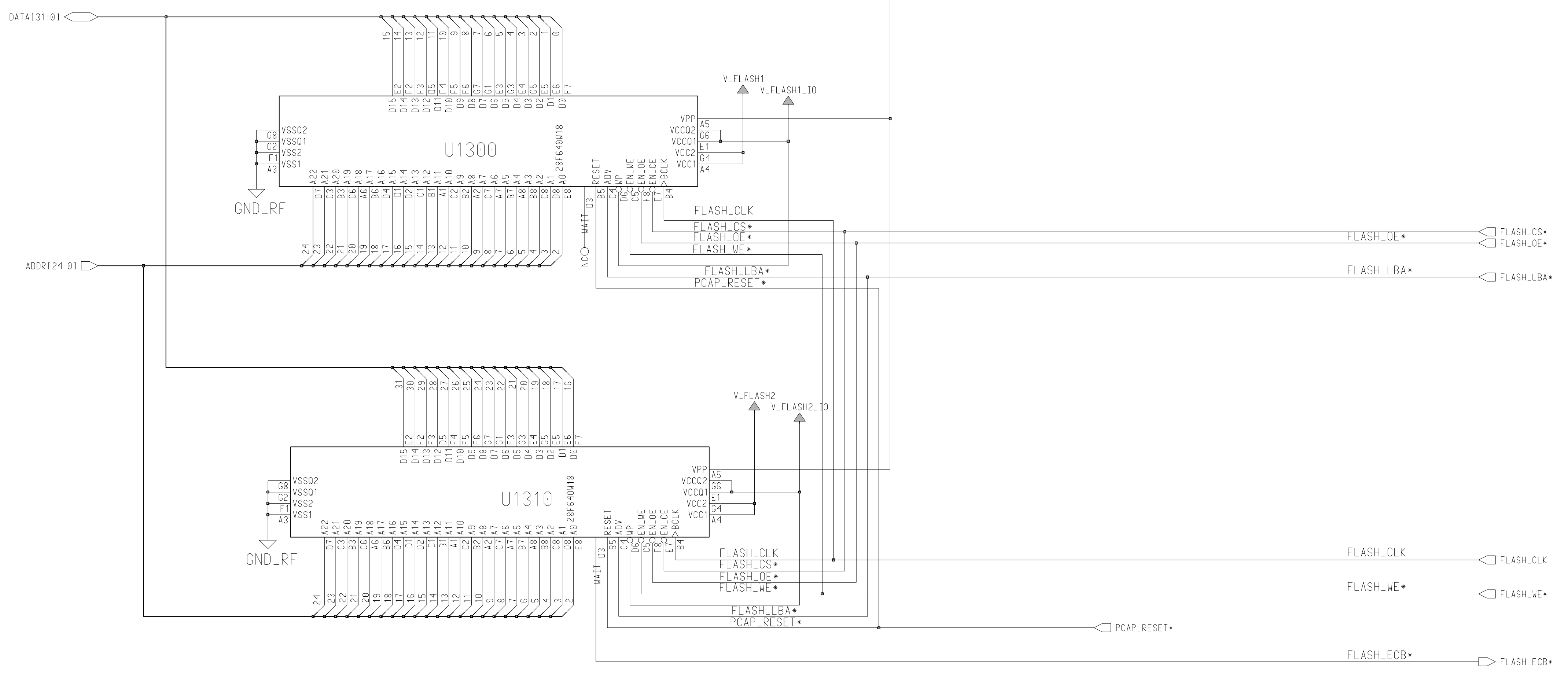
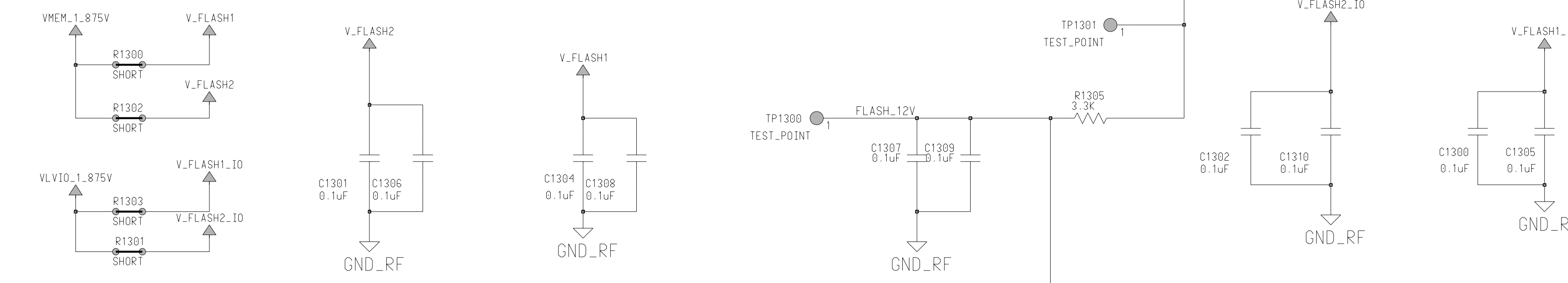
Engineer: Ed Naddeo	TITLE: Talon Integrated Flash Memory			Size: 11x21
Drawn by: Ed Naddeo				
R&D CHK:	REV: 0.1	Drawing Number:	Page: 1	OF: 1
DOC CTRL CHK:				
MFG CTRL CHK:				
QA CHK:				
Changed by: Chris Pipe	Date: Monday, May 6, 2002	Time: 9:32:29 am		

A

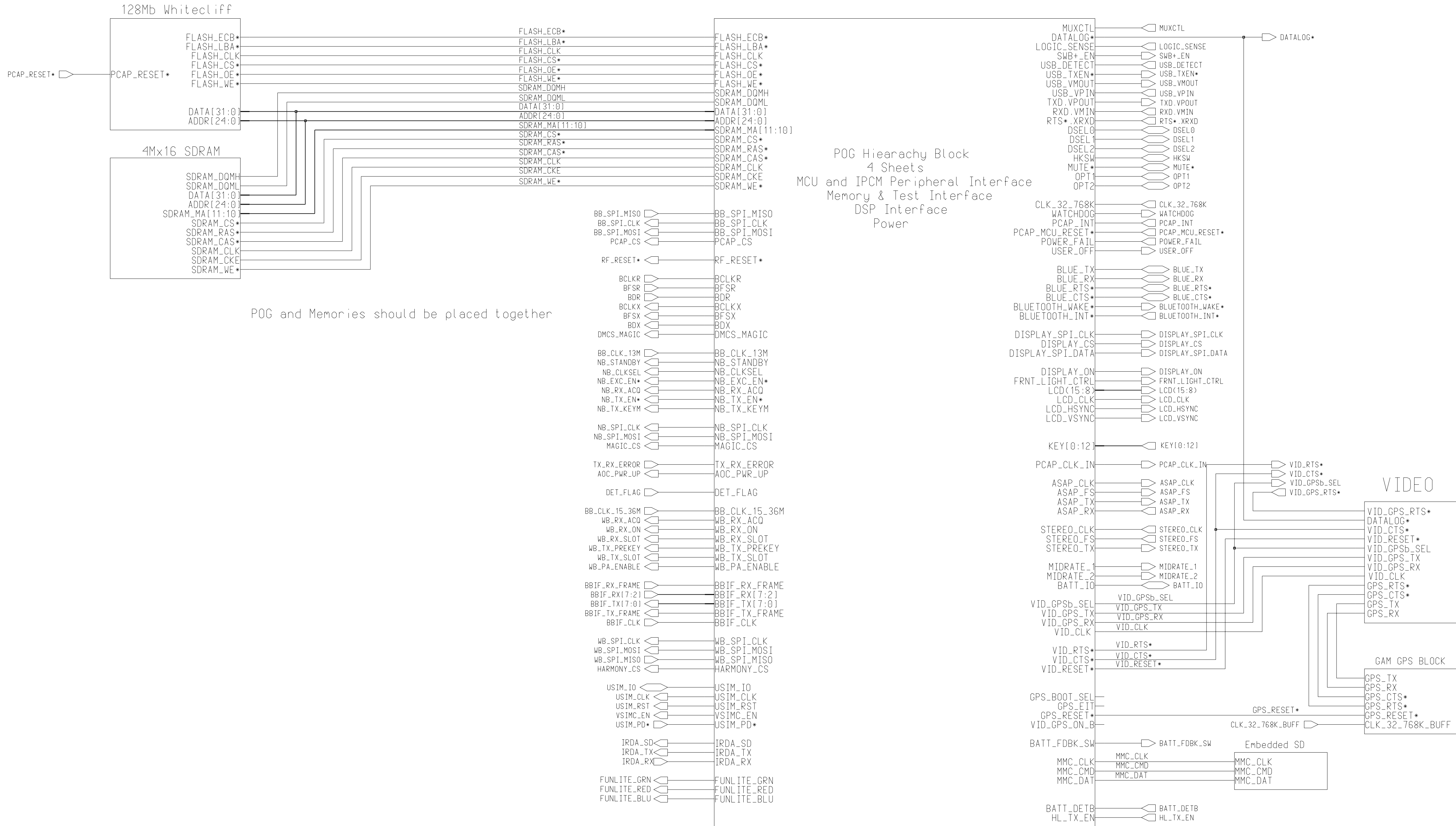
B

C

D



Engineer: Ed Naddeo	TITLE: Talon Integrated Core Logic		Size: 11x21
Drawn by: Ed Naddeo			
R&D CHK:			
DOC CTRL CHK:			
MFG CTRL CHK:			
QA CHK:	REV: 1.0	Drawing Number: 8488888x88	Page: 1
Changed by: wlen01	Date: Friday, March 1, 2002	Time: 1:16:44 pm	



POG and Memories should be placed together

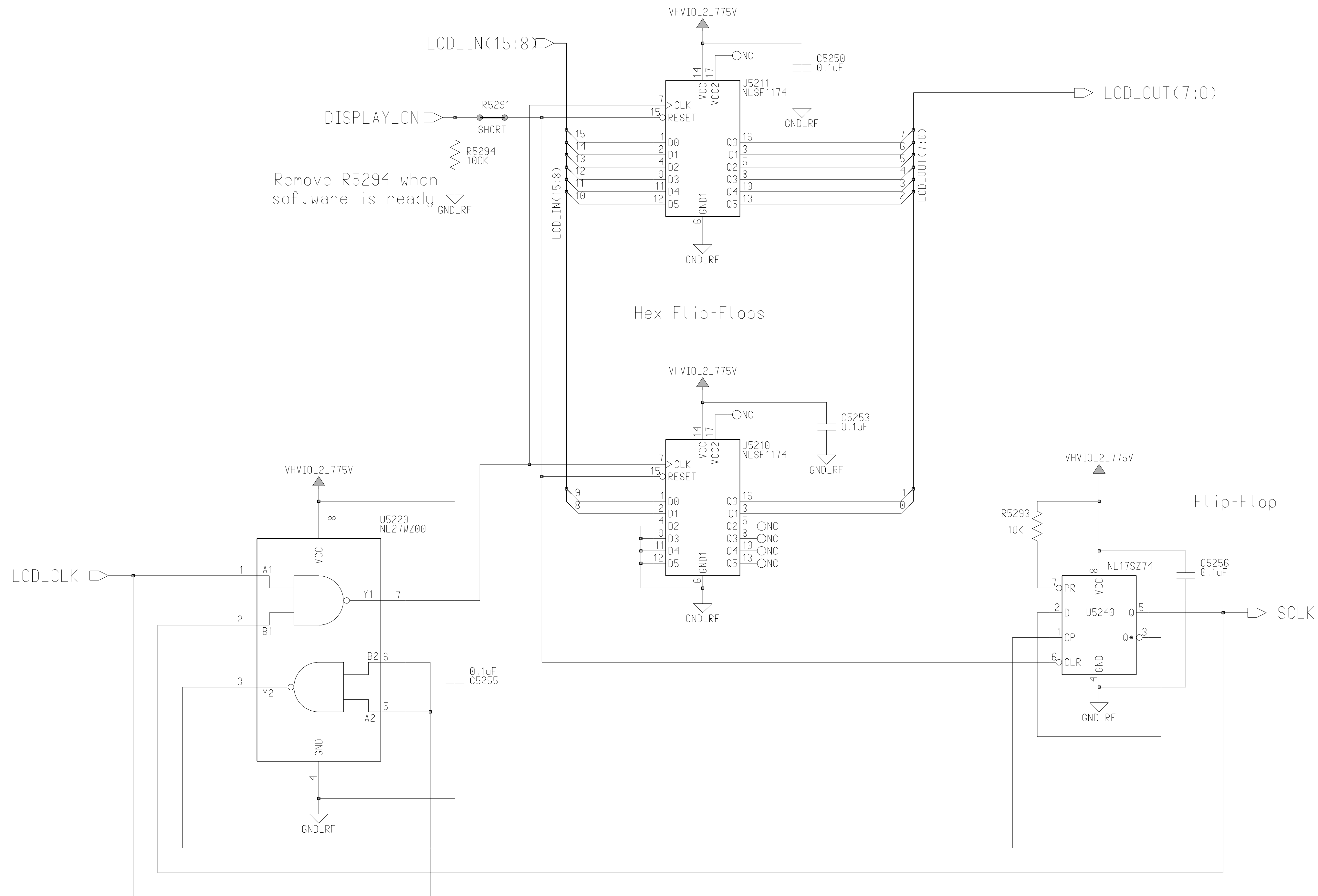
POG Hierarchy Block
4 Sheets
MCU and IPCM Peripheral Interface
Memory & Test Interface
DSP Interface
Power

VIDEO

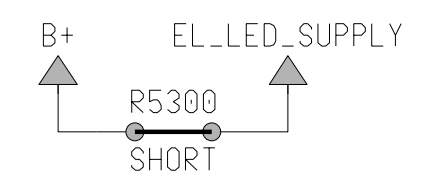
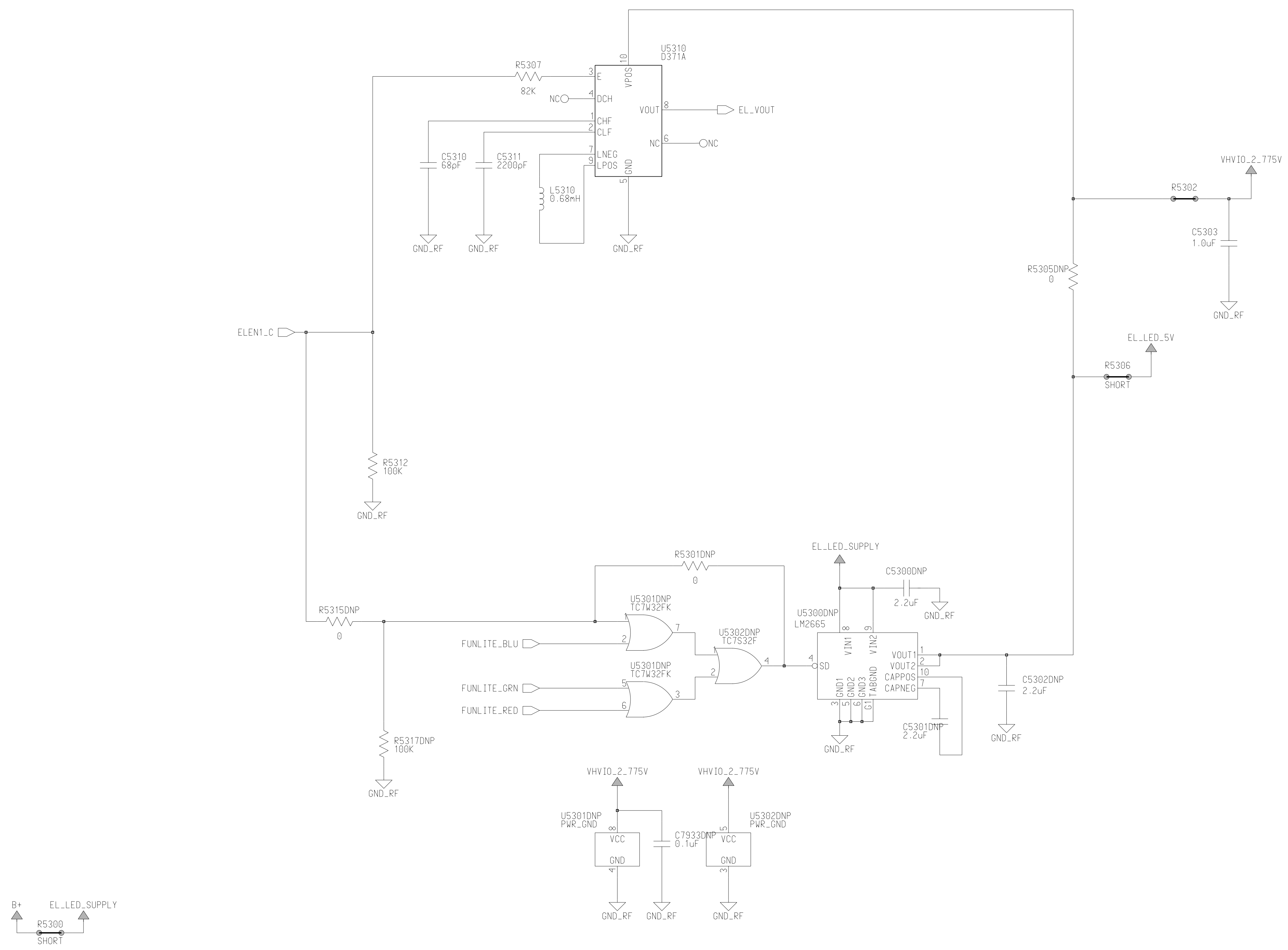
GAM GPS BLOCK

Embedded SD

Engineer: Mike Lanfalusi	MOTOROLA INC.		
Drawn by: Mike Lanfalusi			
R&D CHK:	TITLE: 65K_LOGIC	Size: 11x17	
DOC CTRL CHK:			
MFG CTRL CHK:			
QA CHK:	REV:	Drawing Number:	Page: 1
Changed by: w16808	Date: Thursday, May 2, 2002	Time: 2:04:10 pm	



Engineer:	MOTOROLA INC.		
Drawn by:			
R&D CHK:	TITLE:	Size:	
DOC CTRL CHK:	Funlites and EL		
MFG CTRL CHK:	REV:	Drawing Number:	Page: Of:
QA CHK:	Date:	Time:	



MOTOROLA CONFIDENTIAL PROPRIETARY

Engineer:
John S. Kerr
Drawn by:
Todd Roessler
R&D CHK:
DOC CTRL CHK:
MFG CTRL CHK:
QA CHK:
Changed by:
Ed Naddeo



TITLE: Talon Integrated Baseband Top Level
Size: 11x17
REV: Drawing Number: Page: Of:
Date: Monday, March 4, 2002
Time: 10:39:56 am

A

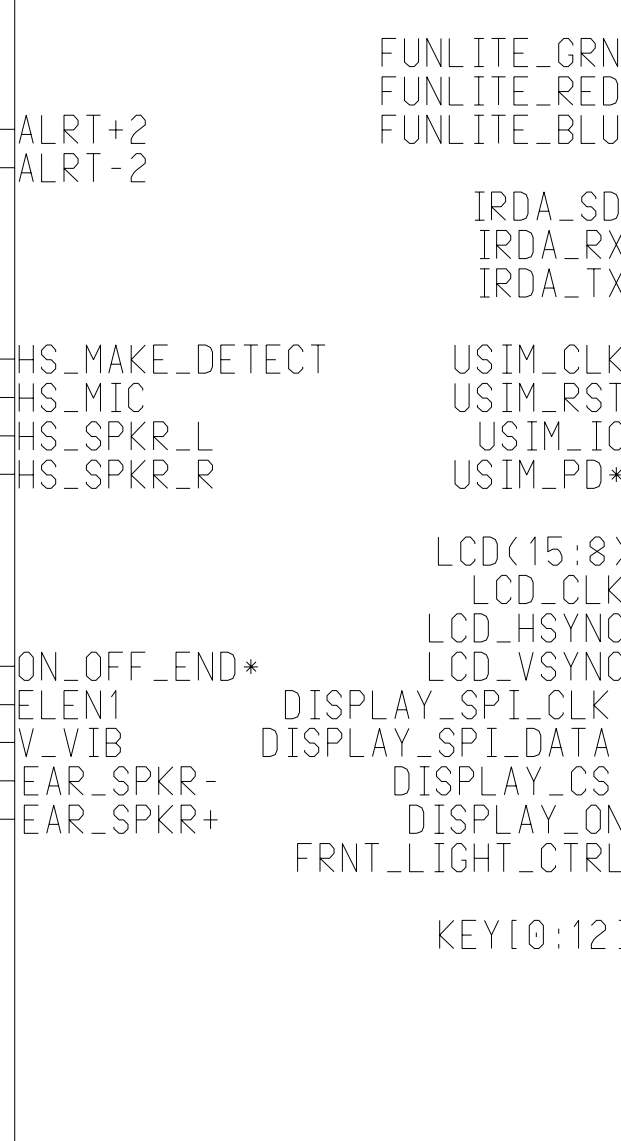
B

C

D

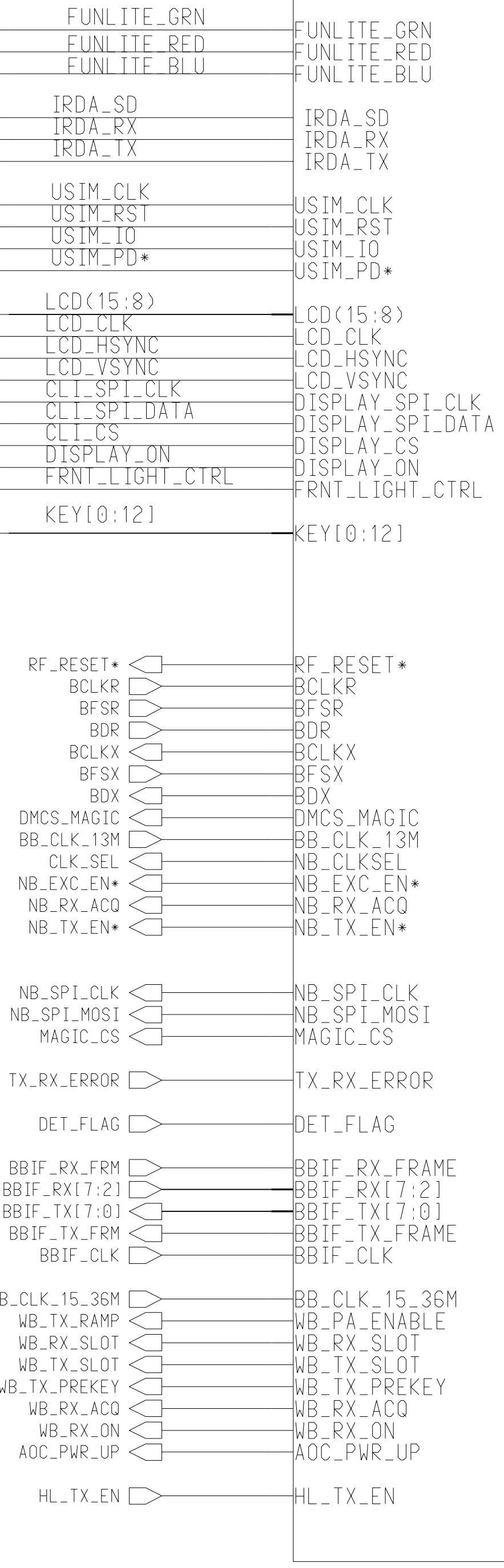
Misc Connectors

- Display Connector USIM
- Keypad Connector IrDA
- Headset Jack Vibrator
- Fun Lights



CORE LOGIC BLOCK

- POG
- Memories
- Video
- AGPS
- Embedded SD



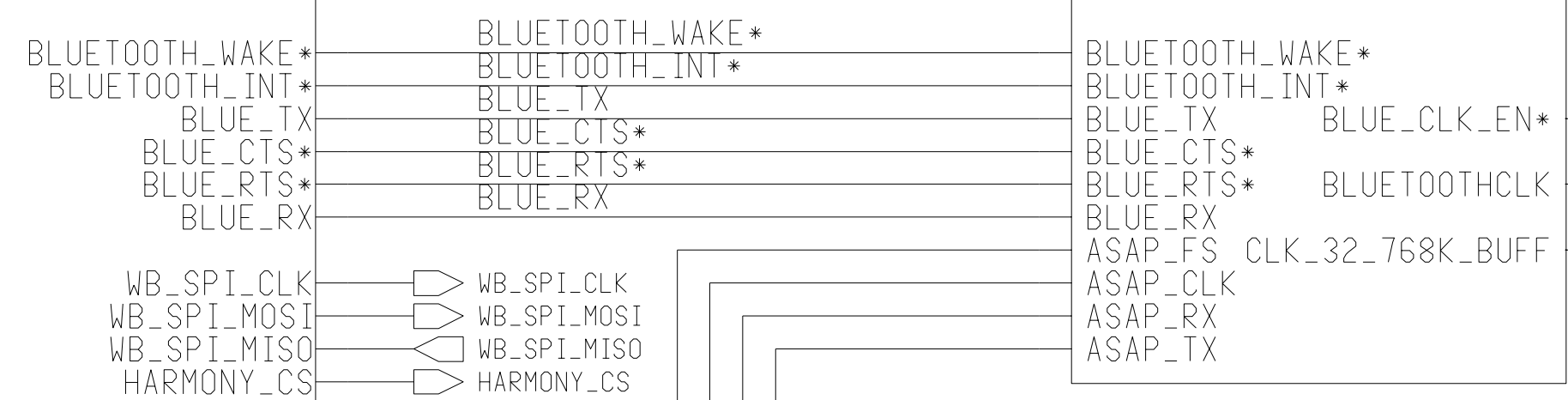
PCAP_CLK_IN

- VID_RTS*
- LOGIC_SENSE
- VID_CTS*
- VID_GPS_RTS*
- SWB+_EN
- HKSW
- MUTE*
- DSEL2
- DSEL1
- DSEL0
- OPT1
- OPT2
- DATALOG*

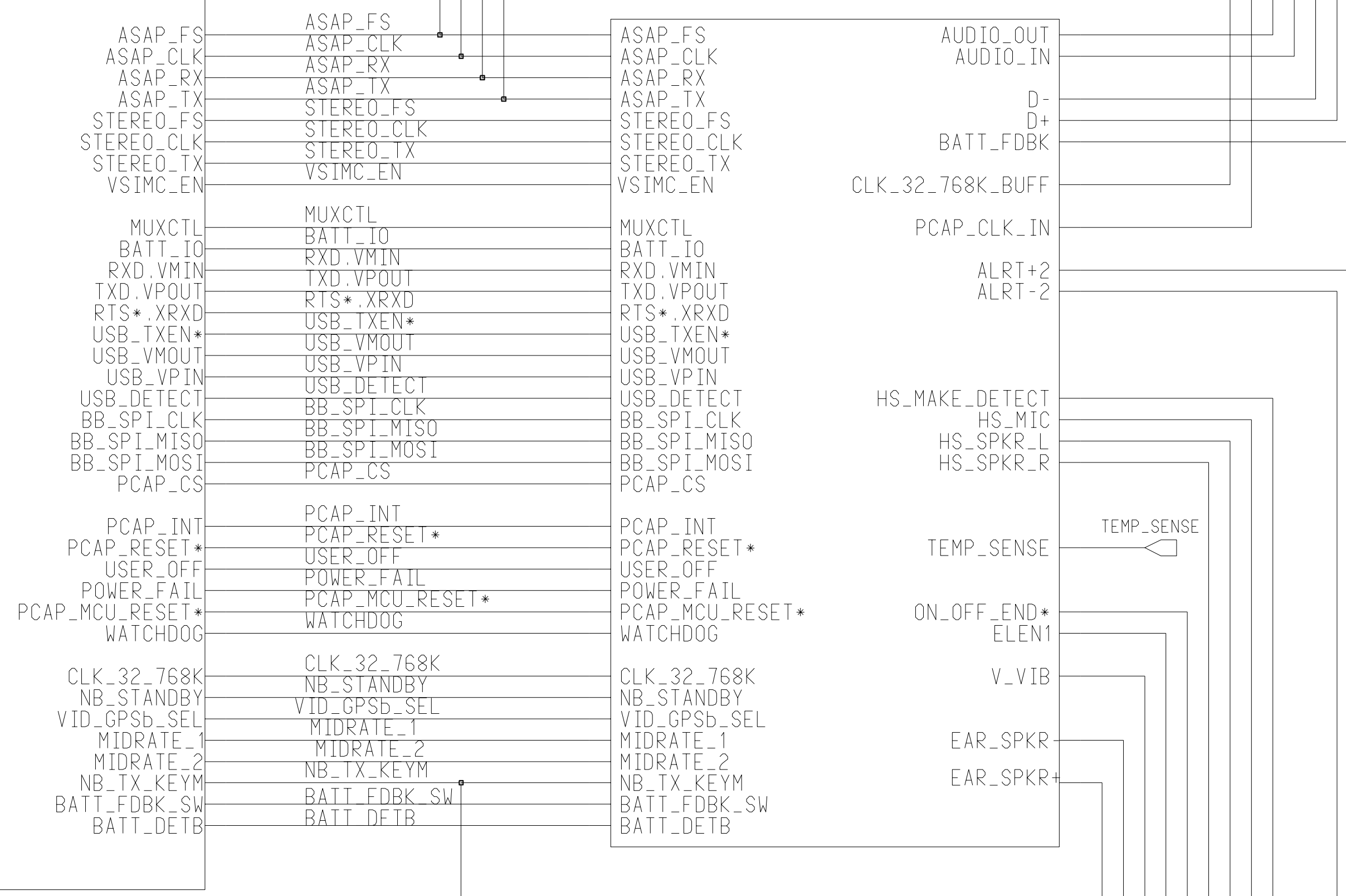
CE Bus Connector

- VID_RTS*
- LOGIC_SENSE
- VID_CTS*
- VID_GPS_RTS*
- SWB+_EN
- HKSW
- MUTE*
- DSEL2
- DSEL1
- DSEL0
- OPT1
- OPT2
- DATALOG*

Bluetooth



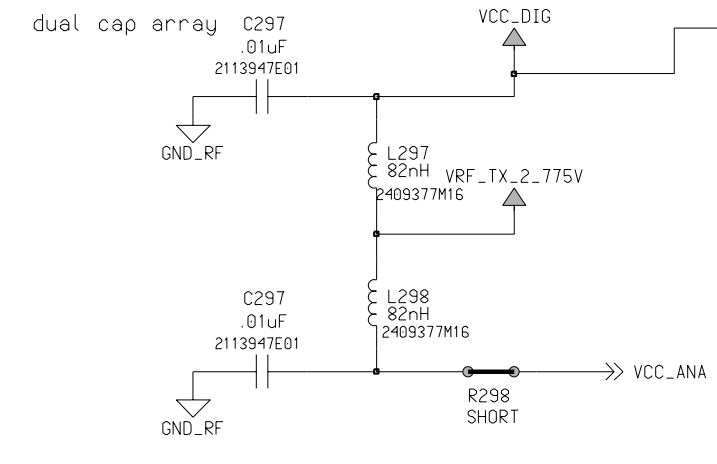
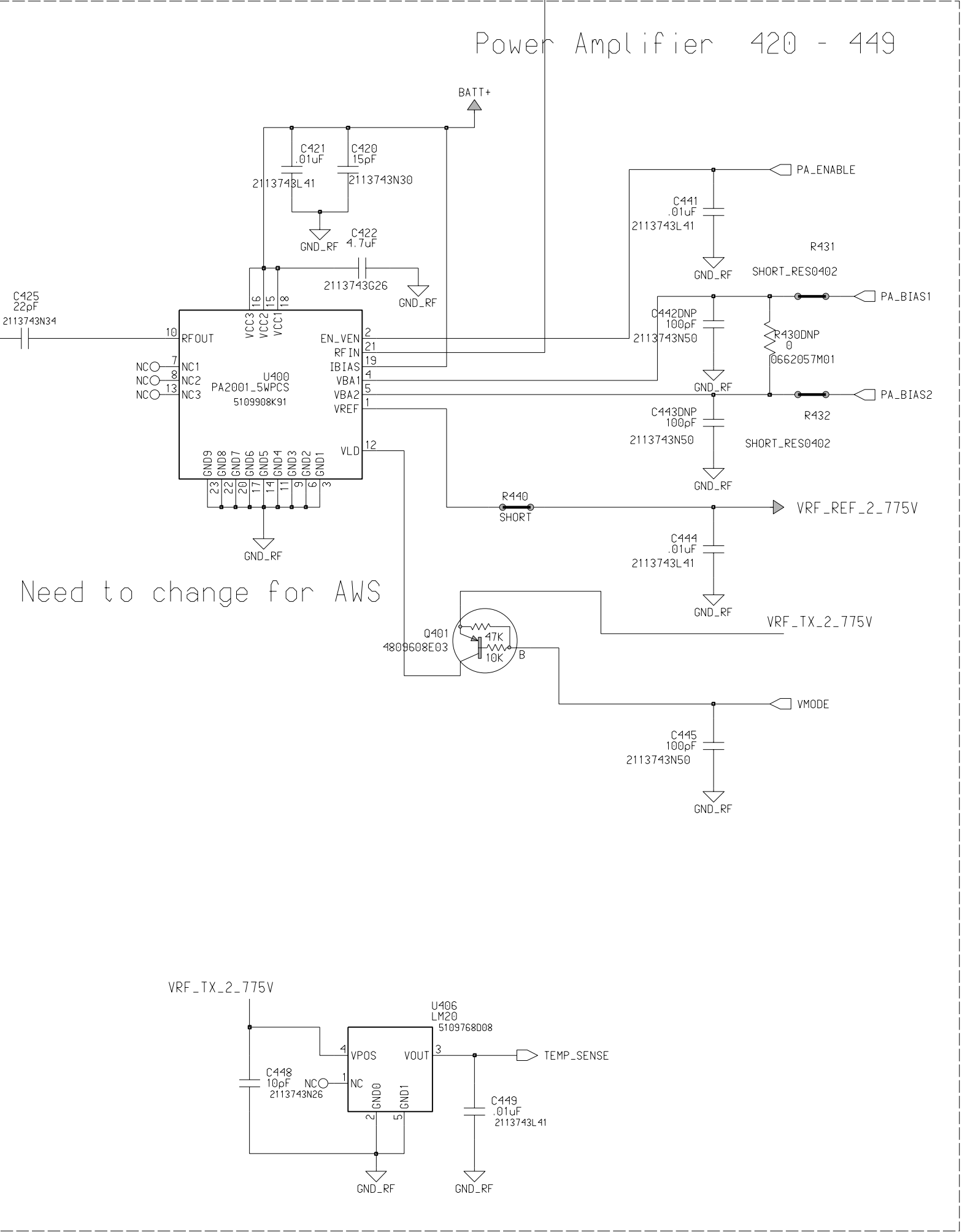
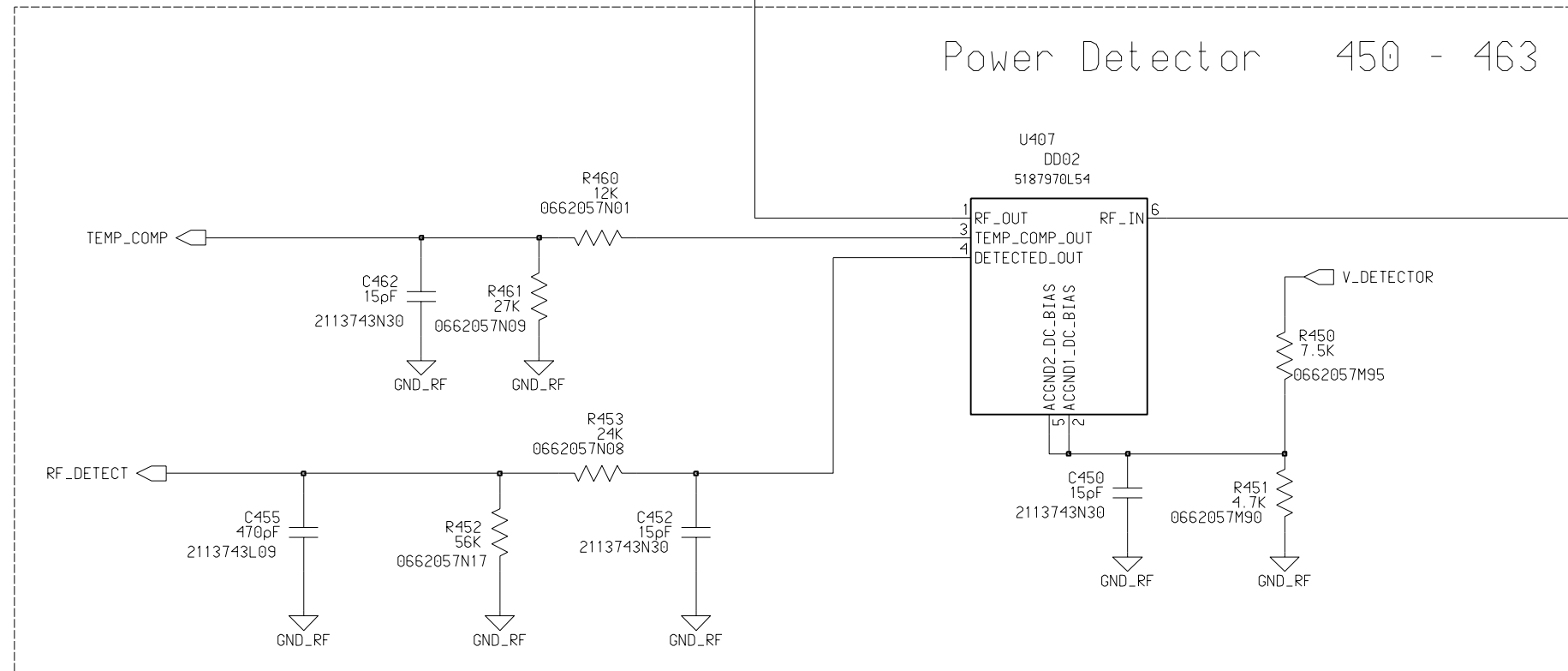
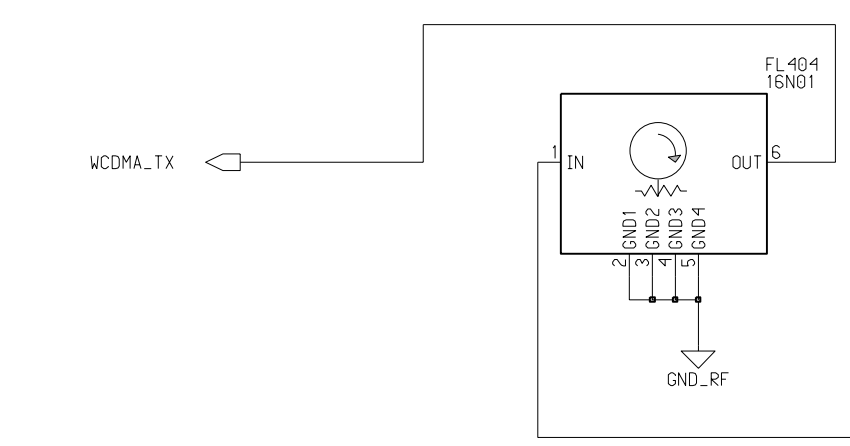
PCAP (Power/Audio)



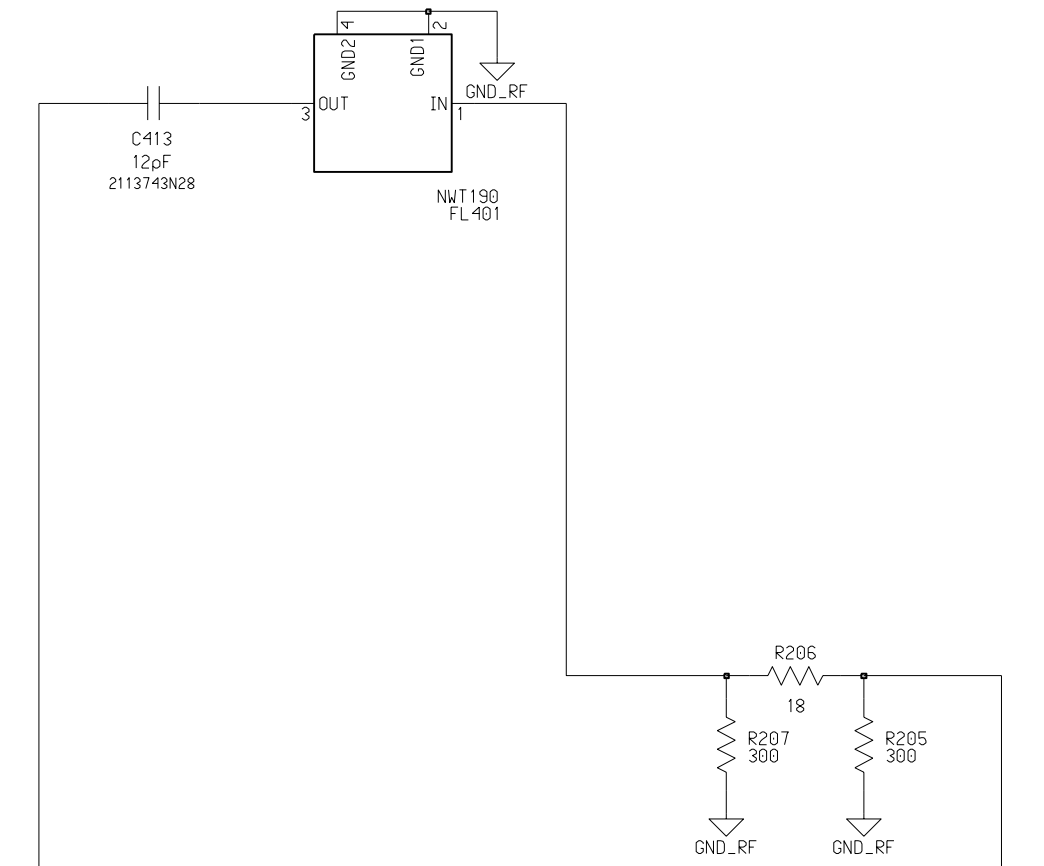
- EAR_SPKR+
- EAR_SPKR-
- V_VIB
- ELEN1
- ON_OFF_END*
- HS_SPKR_R
- HS_SPKR_L
- HS_MIC
- HS_MAKE_DETECT

- ALRT-
- ALRT+

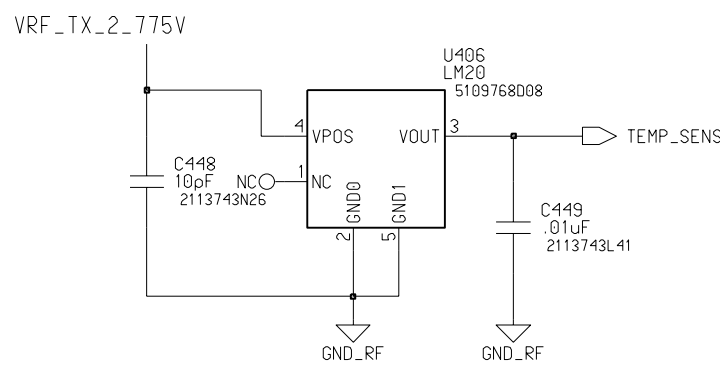
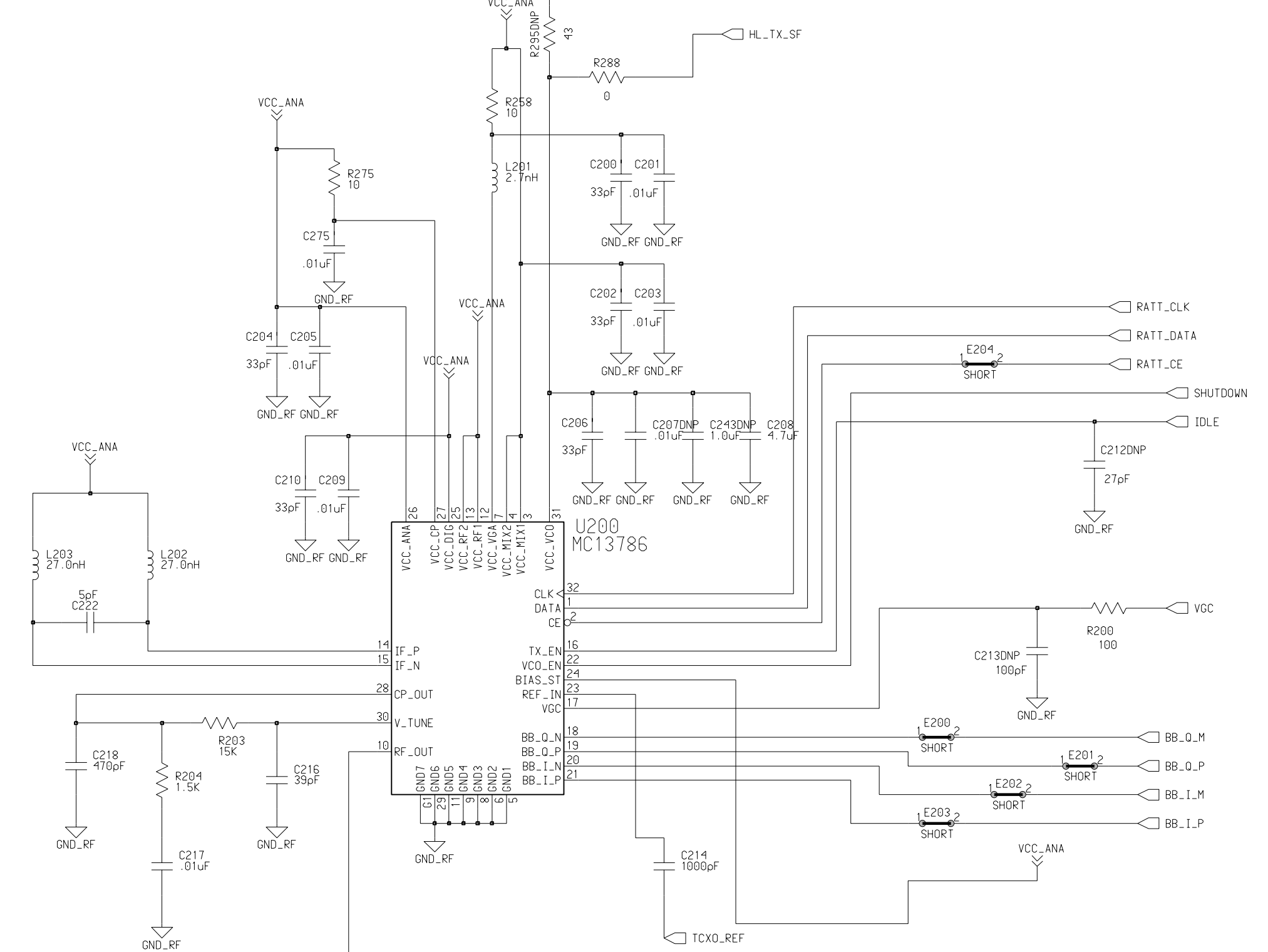
WCDMA Transmitter (TALON)



Interstage filter 1850 - 1910

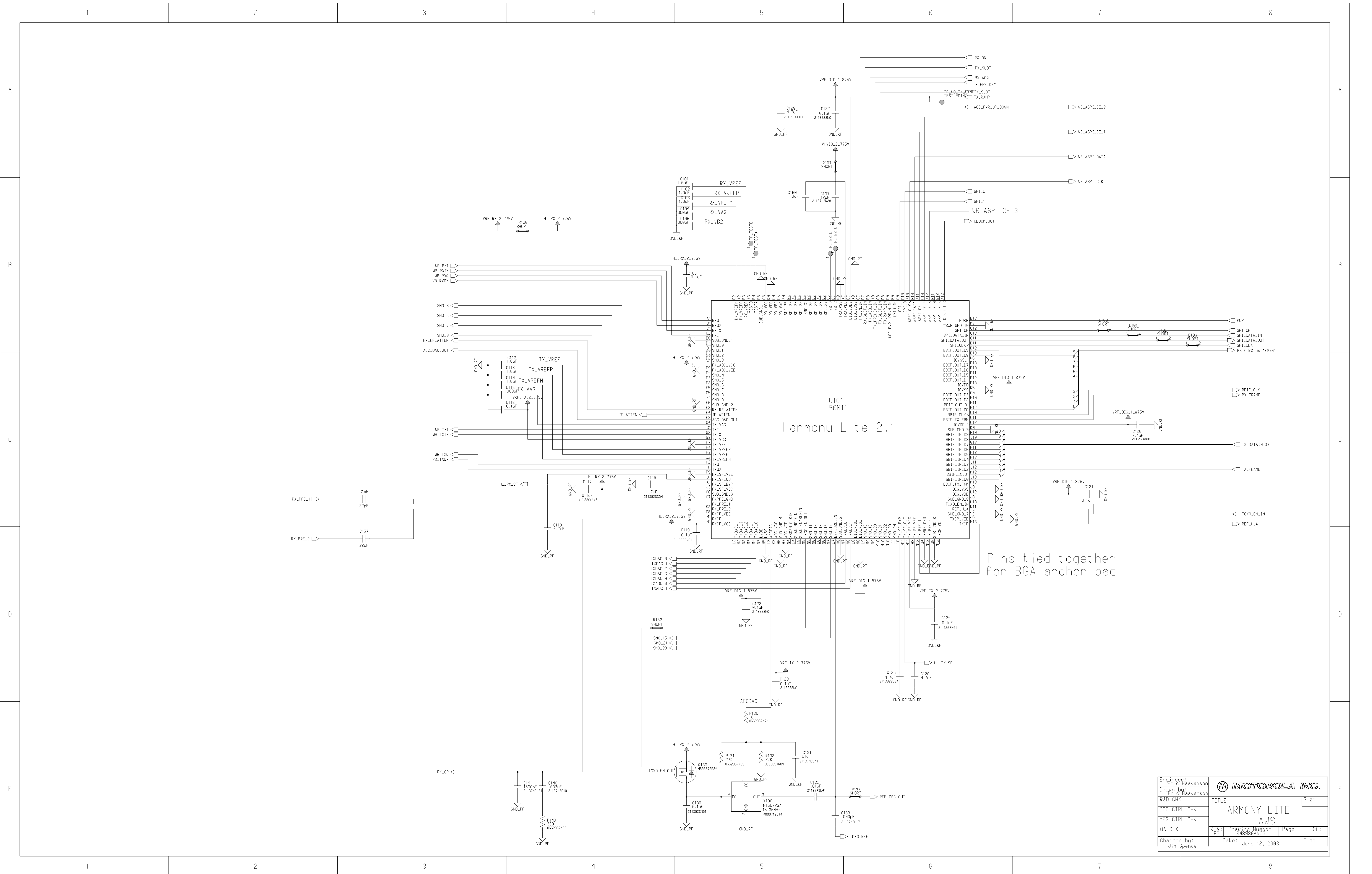


Quadrature modulator and upmixer 200-299



Engineer John Mura	COMPANY NAME Address City		
Drawn by John Mura			
R&D CHK	TITLE	Size	
DOC CTRL CHK	WCDMA-Tx	D	
MFG CTRL CHK			
QA CHK	REV P4B	Drawing Number 8489804N04	Sheet 1 of 1

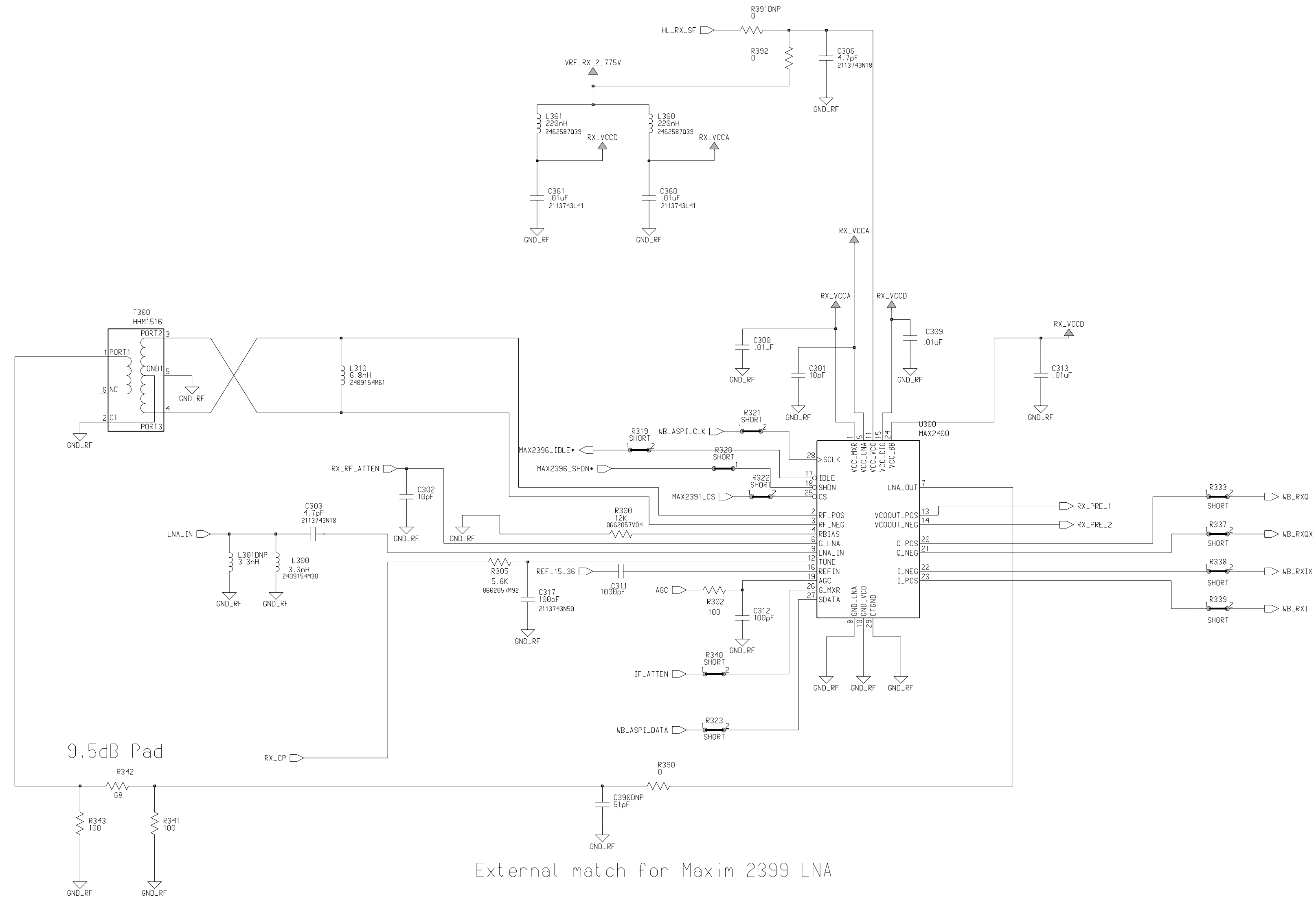
Changed by James Spence Date Changed February 25, 2004 Time 4:39:58 pm



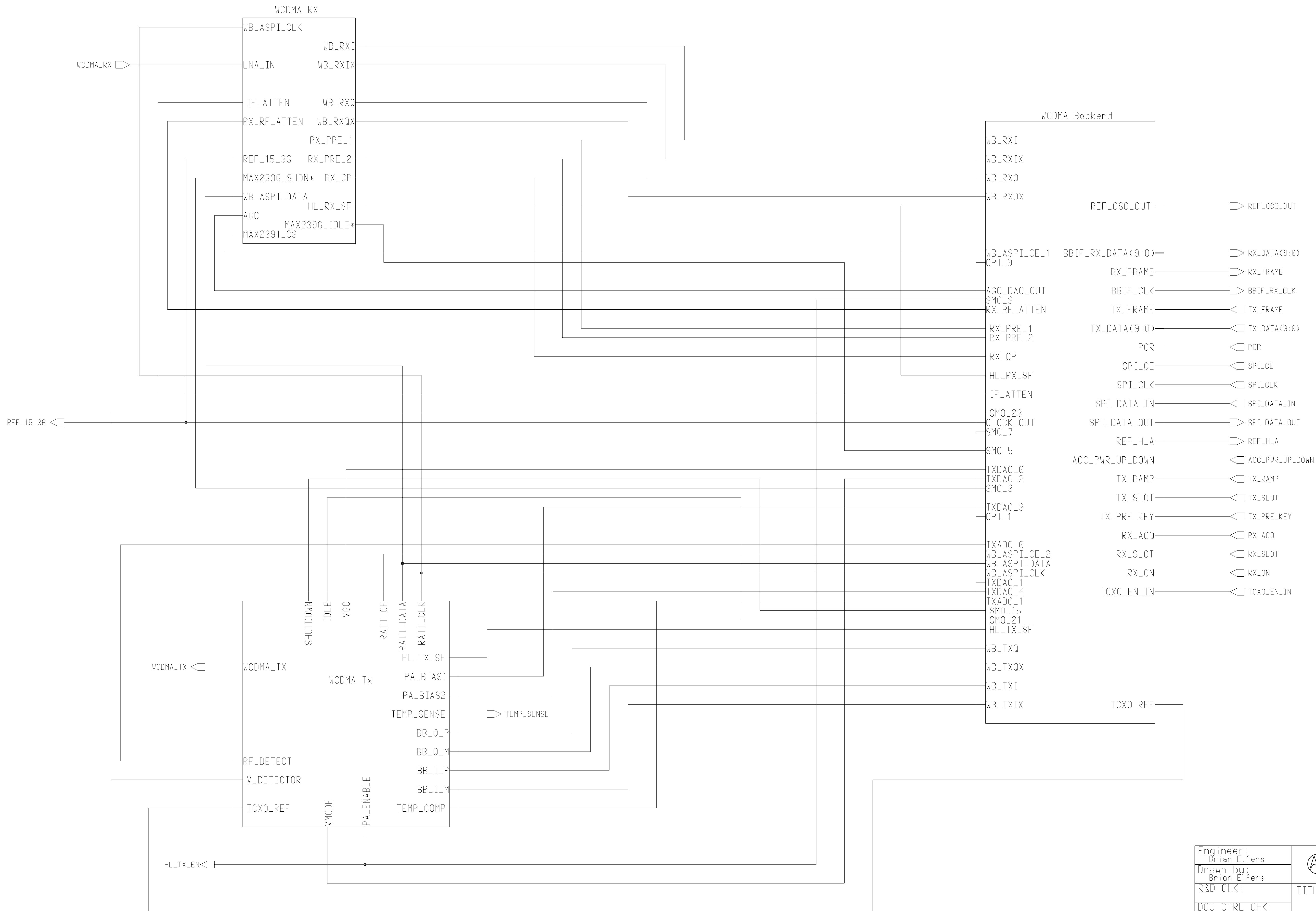
U101
50M11
Harmony Lite 2.1

Pins tied together for BGA anchor pad.

Engineer: Eric Haekenson			
Drawn by: Eric Haekenson	TITLE: HARMONY LITE		
R&D CHK:	MFG CTRL CHK:		Size:
QA CHK:	REV: P3		Page:
Changed by: Jim Spence	Date: June 12, 2003		Time:

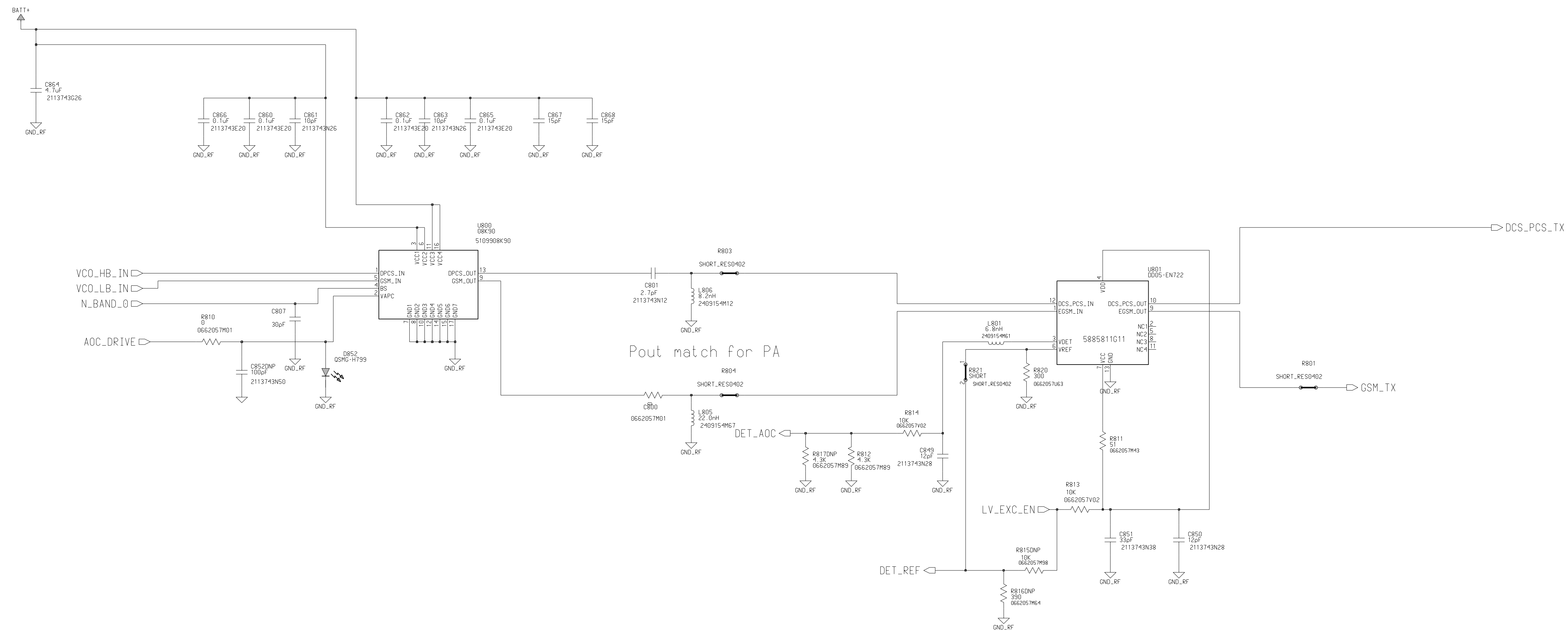


Engineer:	Randy Wessner	
Drawn by:	Randy Wessner	
R&D CHK:		TITLE: wcdma_rx
DOC CTRL CHK:		Size: 0
MFG CTRL CHK:		
QA CHK:		REV: 0
Changed by:	Dave Suarez	Drawing Number: 3487723N05
		Page: 01
		Date: June 12, 2003
		Time: 4:33:16 pm



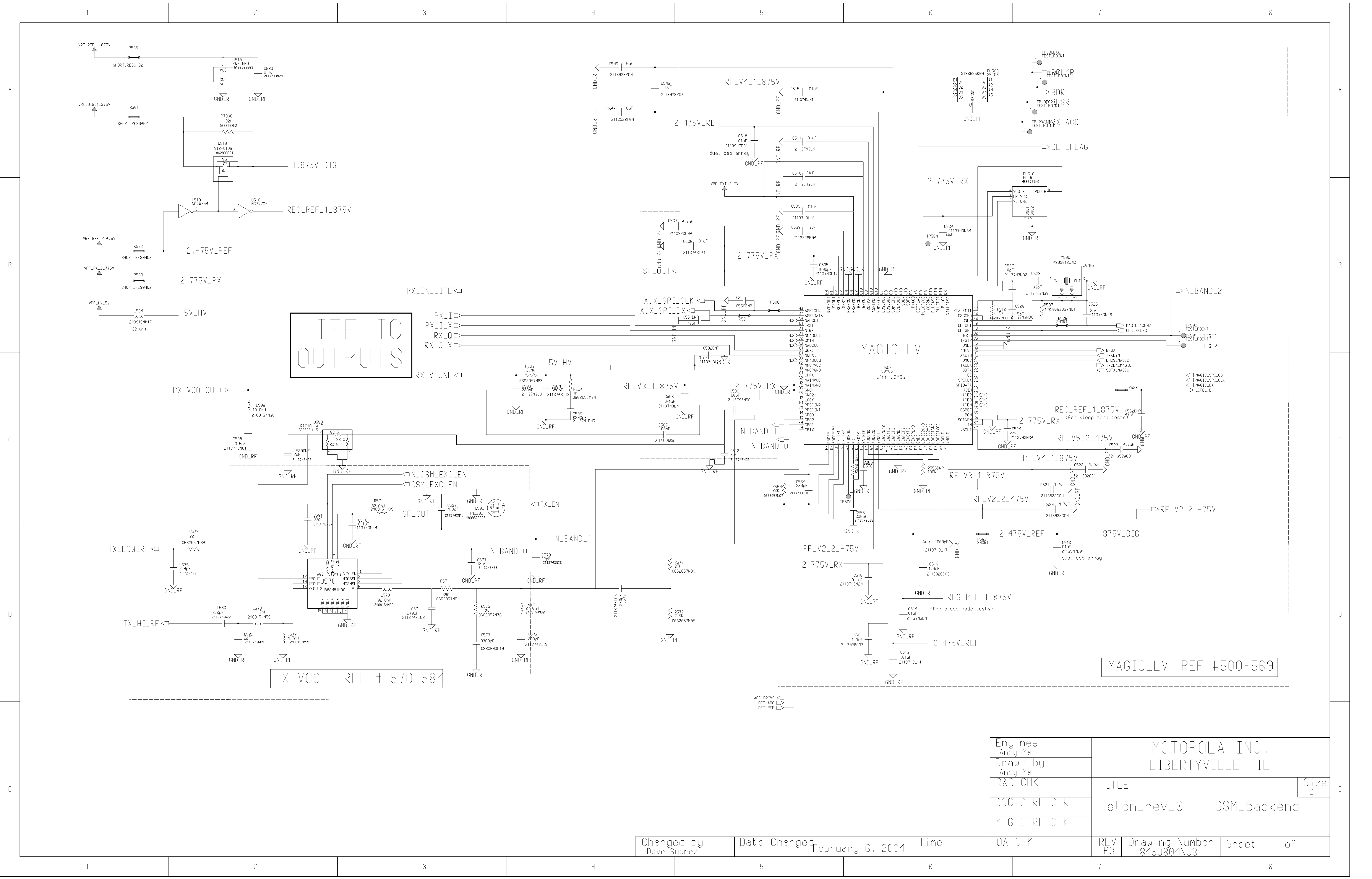
Engineer: Brian Elfers			
Drawn by: Brian Elfers			
R&D CHK:	TITLE: Talon_rev_0	Size: 11x17	
DOC CTRL CHK:			
MFG CTRL CHK:			
QA CHK:	REV: P3	Drawing Number: 8487729N03	Page: Of:
Changed by: Dave Suarez	Date: Friday, April 20, 2001		Time: 4:07:28 pm

GSM Transmitter



Engineer Paul Manente	COMPANY NAME Address City		
Drawn by Paul Manente			
R&D CHK	TITLE GSM_TX_D	Size D	
DOC CTRL CHK	GSM_Transmitter		
MFG CTRL CHK			
QA CHK	REV P3	Drawing Number 8489804N03	Sheet of

Changed by Dave Suarez Date Changed December 10, 2003 Time



LIFE IC
OUTPUTS

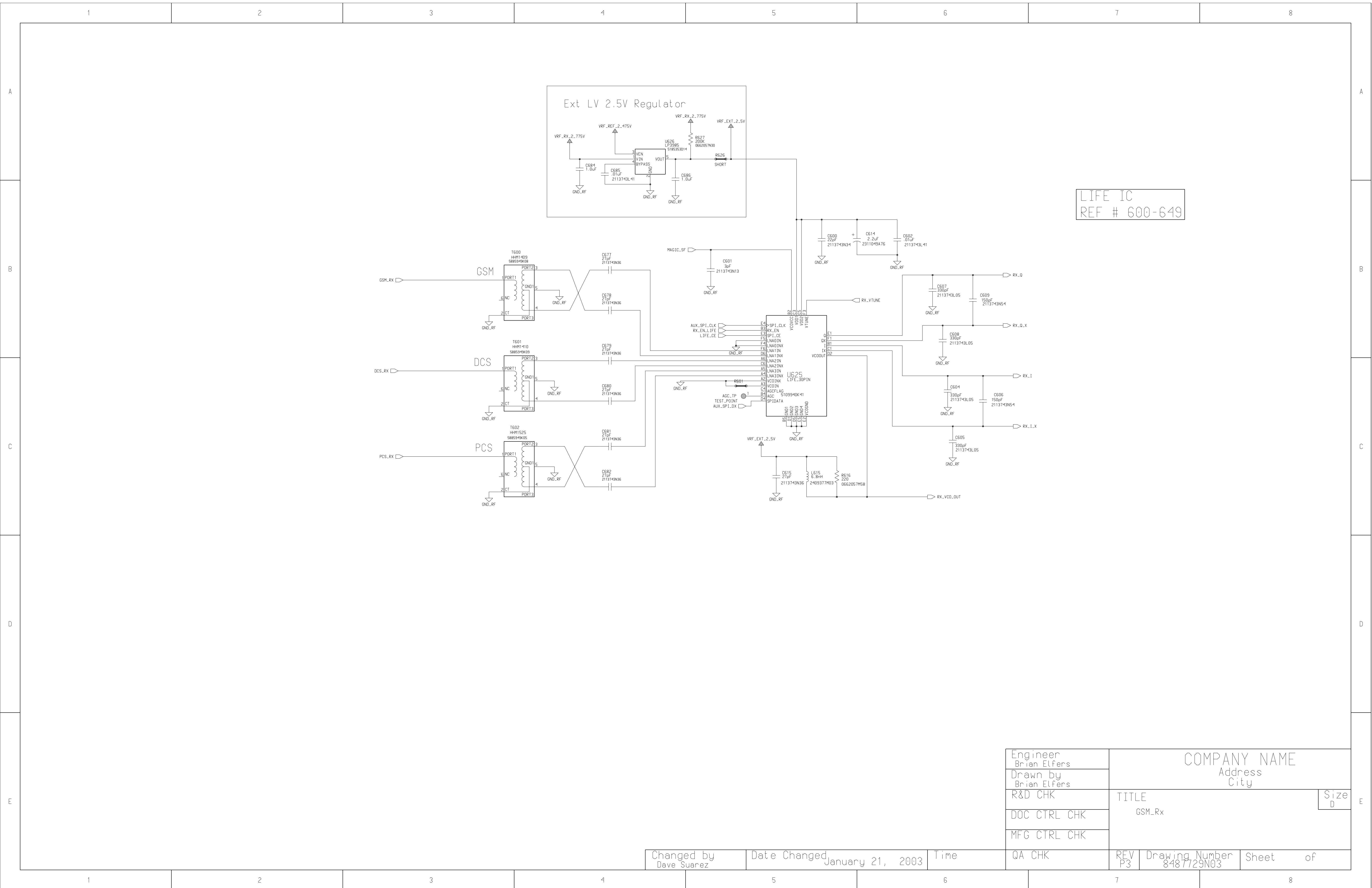
TX VCO REF # 570-584

MAGIC LV

MAGIC_LV REF #500-569

Engineer Andy Ma	MOTOROLA INC. LIBERTYVILLE IL		
Drawn by Andy Ma	TITLE		
R&D CHK	Talon_rev_0	GSM_backend	Size D
DOC CTRL CHK			
MFG CTRL CHK			
QA CHK	REV P3	Drawing Number 8489804N03	Sheet of

Changed by Dave Suarez Date Changed February 6, 2004 Time

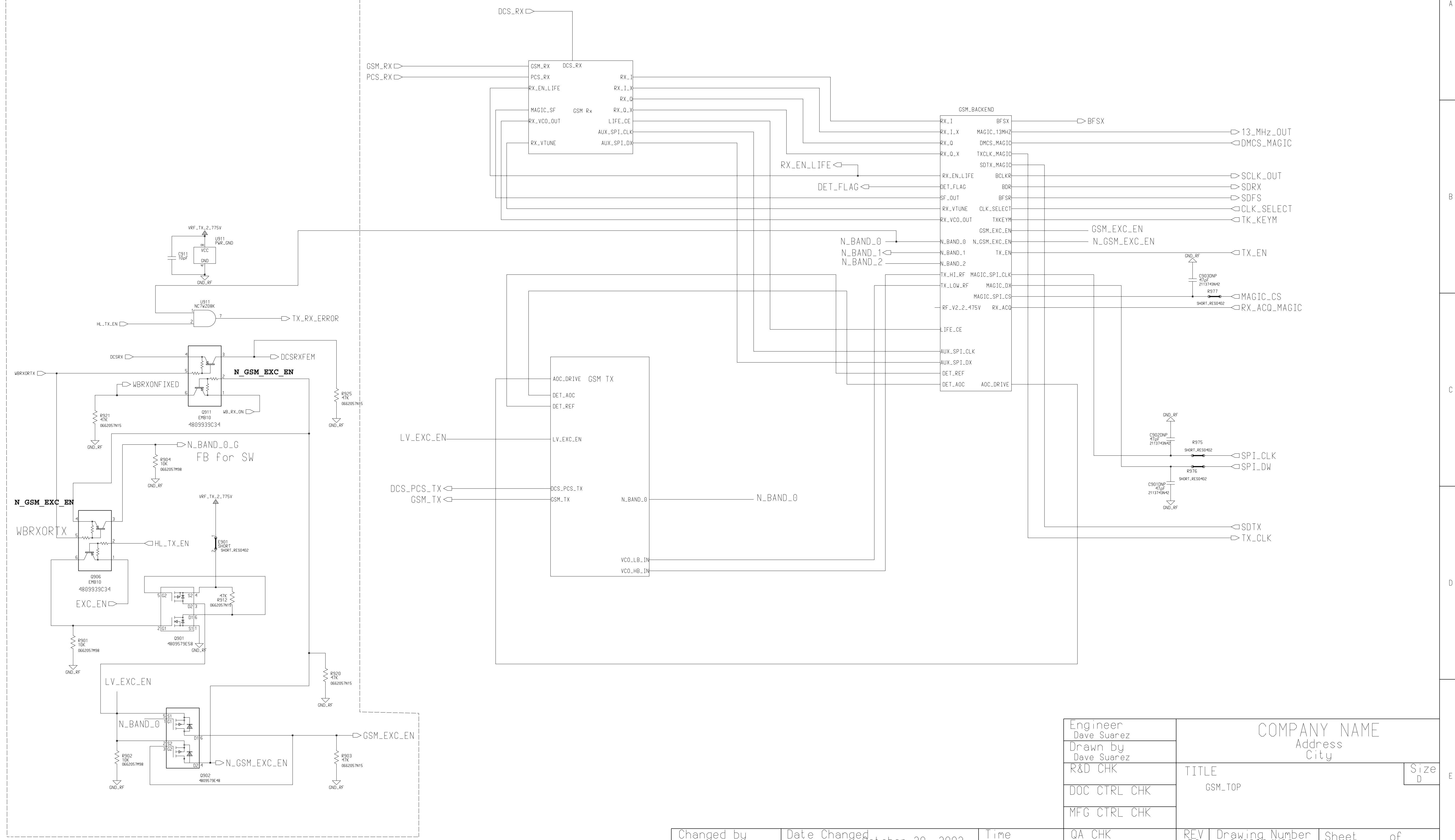


LIFE IC
REF # 600-649

Engineer Brian Elfers	COMPANY NAME		
Drawn by Brian Elfers	Address City		
R&D CHK	TITLE	Size D	
DOC CTRL CHK	GSM_Rx		
MFG CTRL CHK			
QA CHK	REV P3	Drawing Number 8487729N03	Sheet of

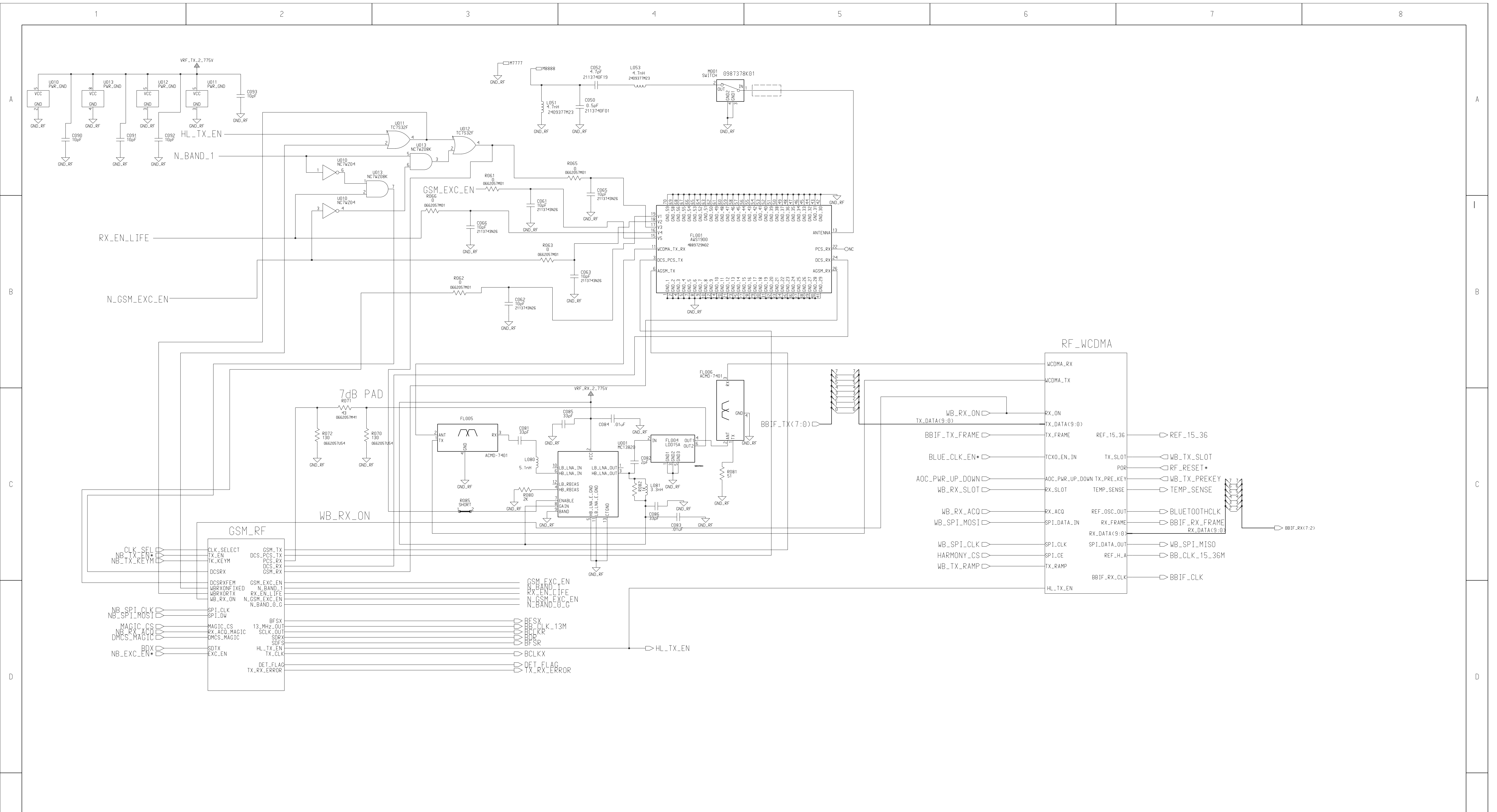
Changed by Dave Suarez Date Changed January 21, 2003 Time

Band Select Circuits REF # 900-925



Engineer Dave Suarez	COMPANY NAME		
Drawn by Dave Suarez	Address City		
R&D CHK	TITLE	Size	
DOC CTRL CHK	GSM_TOP	D	
MFG CTRL CHK	REV	Drawing Number	Sheet of
QA CHK	P3	8489804N03	

Changed by Dave Suarez Date Changed October 20, 2003 Time



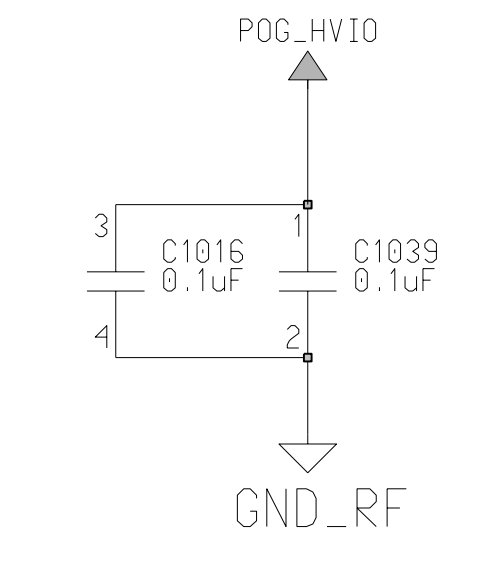
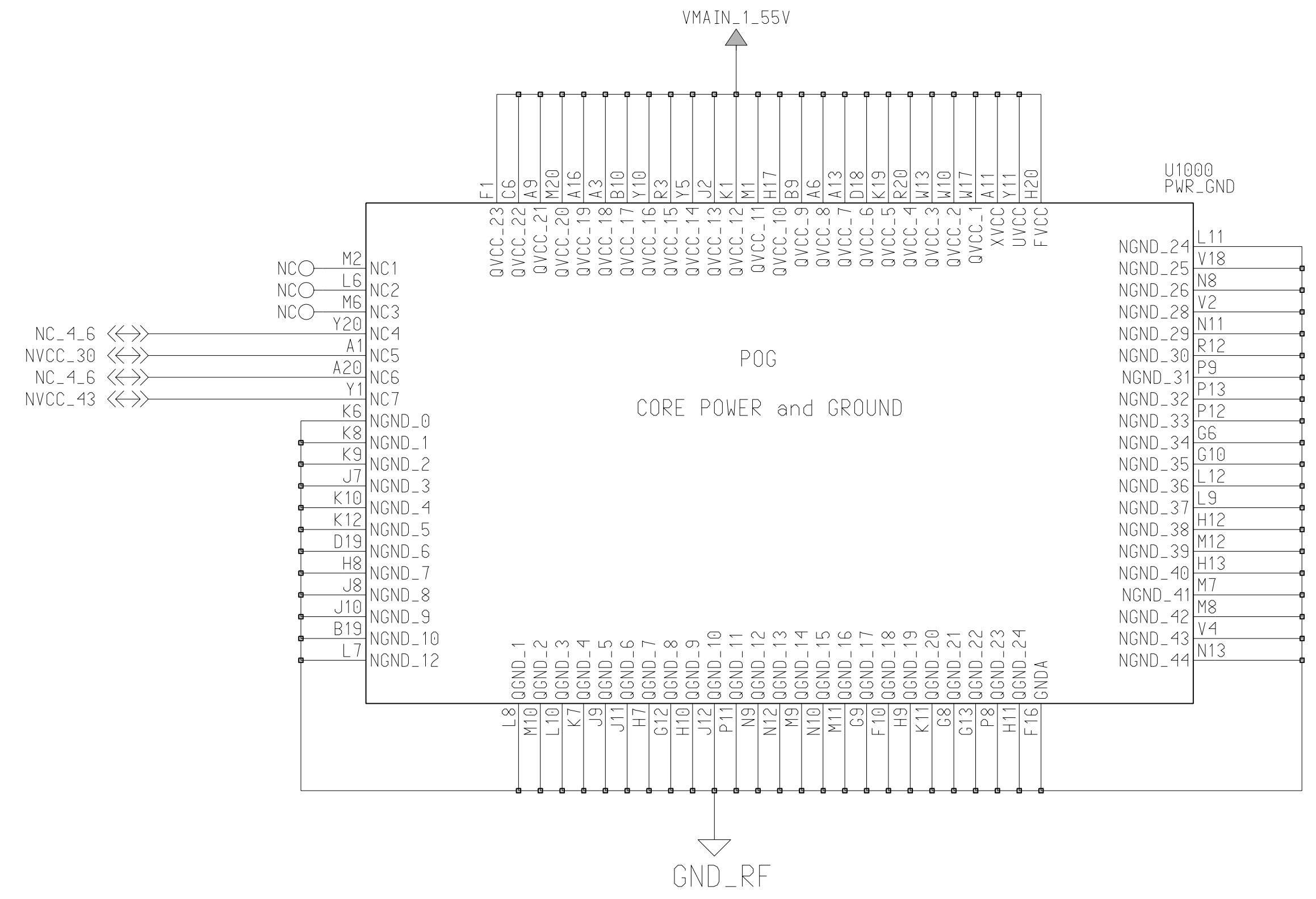
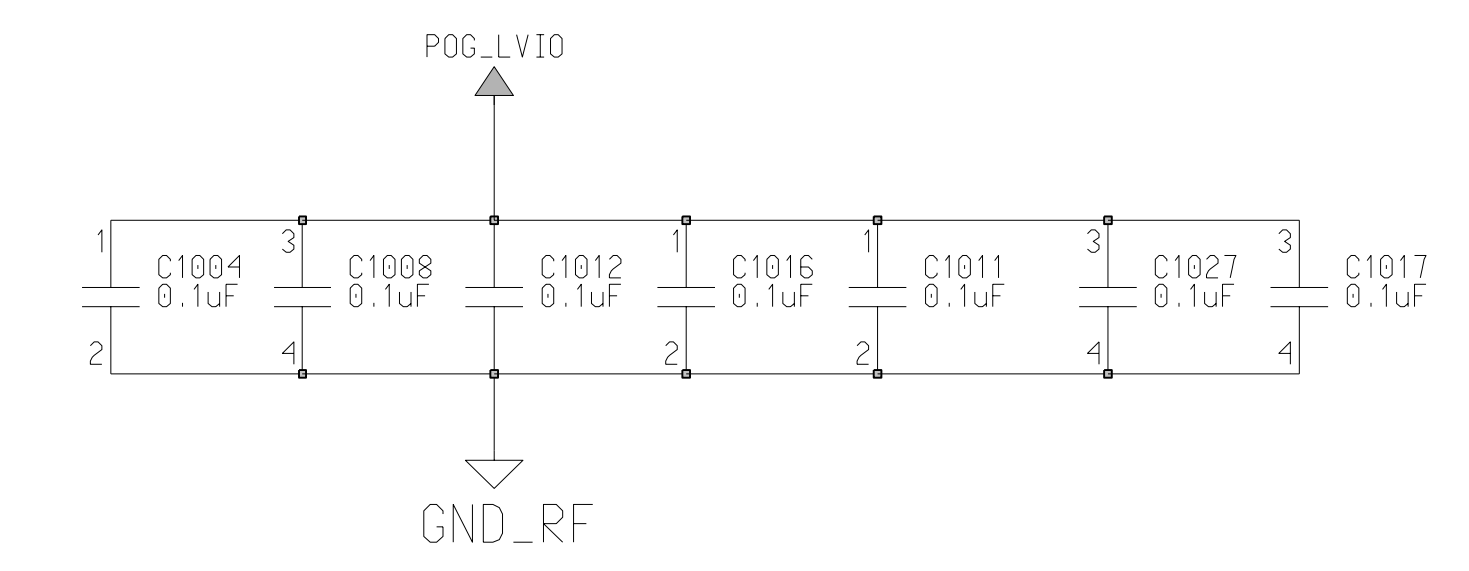
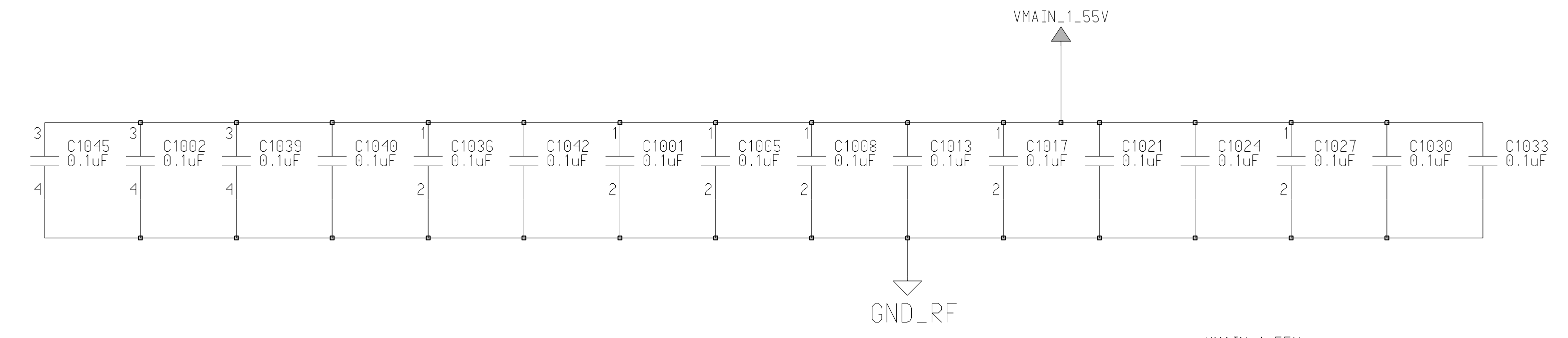
Engineer Dave Suarez	MOTOROLA INC. 600 N US HWY 45 Libertyville, IL		
Drawn by Dave Suarez			
R&D CHK	TITLE	Size D	
DOC CTRL CHK	RF_TOP		
MFG CTRL CHK			
QA CHK	REV P4B	Drawing Number 8489804N03	Sheet of

Changed by Dave Suarez Date Changed February 26, 2004 Time 3:59:05 pm

MOTOROLA CONFIDENTIAL PROPRIETARY

4 1 3 A

Engineer: Ed Naddeo			
Drawn by: Ed Naddeo			
R&D CHK:	TITLE: Talon Integrated	Size: 11x17	
DOC CTRL CHK:	POG		
MFG CTRL CHK:	Power		
QA CHK:	REV: 1	Drawing Number: 8488888x88	Page: 1 Of: 4
Changed by: wlen01	Date: Tuesday, February 26, 2002	Time: 2:56:17 pm	



A

B

C

D

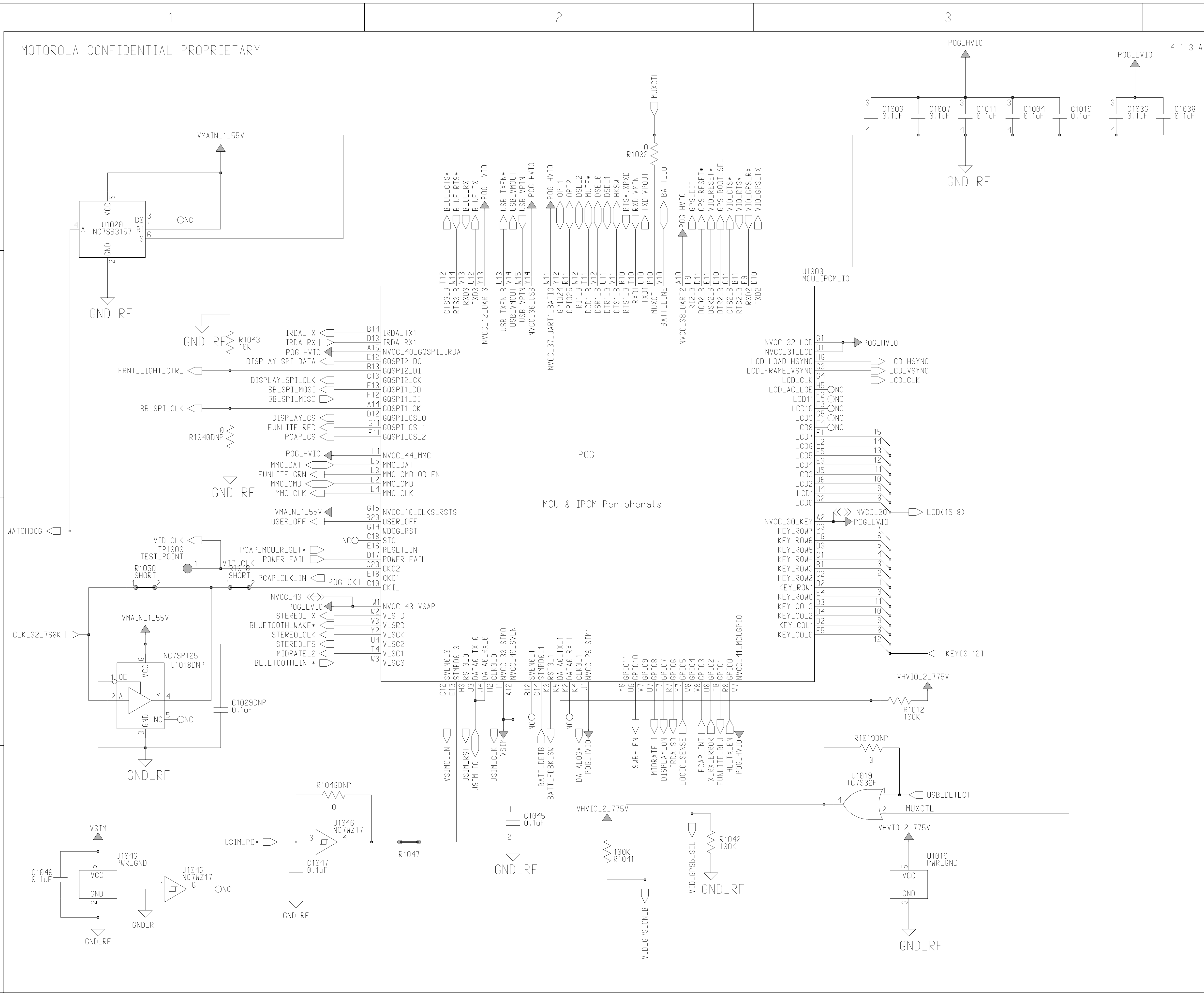
Engineer: Ed Naddeo	TITLE: TALON Integrated			Size: 11x17
Drawn by: Ed Naddeo	POG			
R&D CHK:	Accessories Interface			
DOC CTRL CHK:	REV: 1.0	Drawing Number: 8488888x88	Page: 2	Of: 4
MFG CTRL CHK:	Date: Tuesday, February 26, 2002			Time: 4:39:04 pm
QA CHK:	wlen01			

A

B

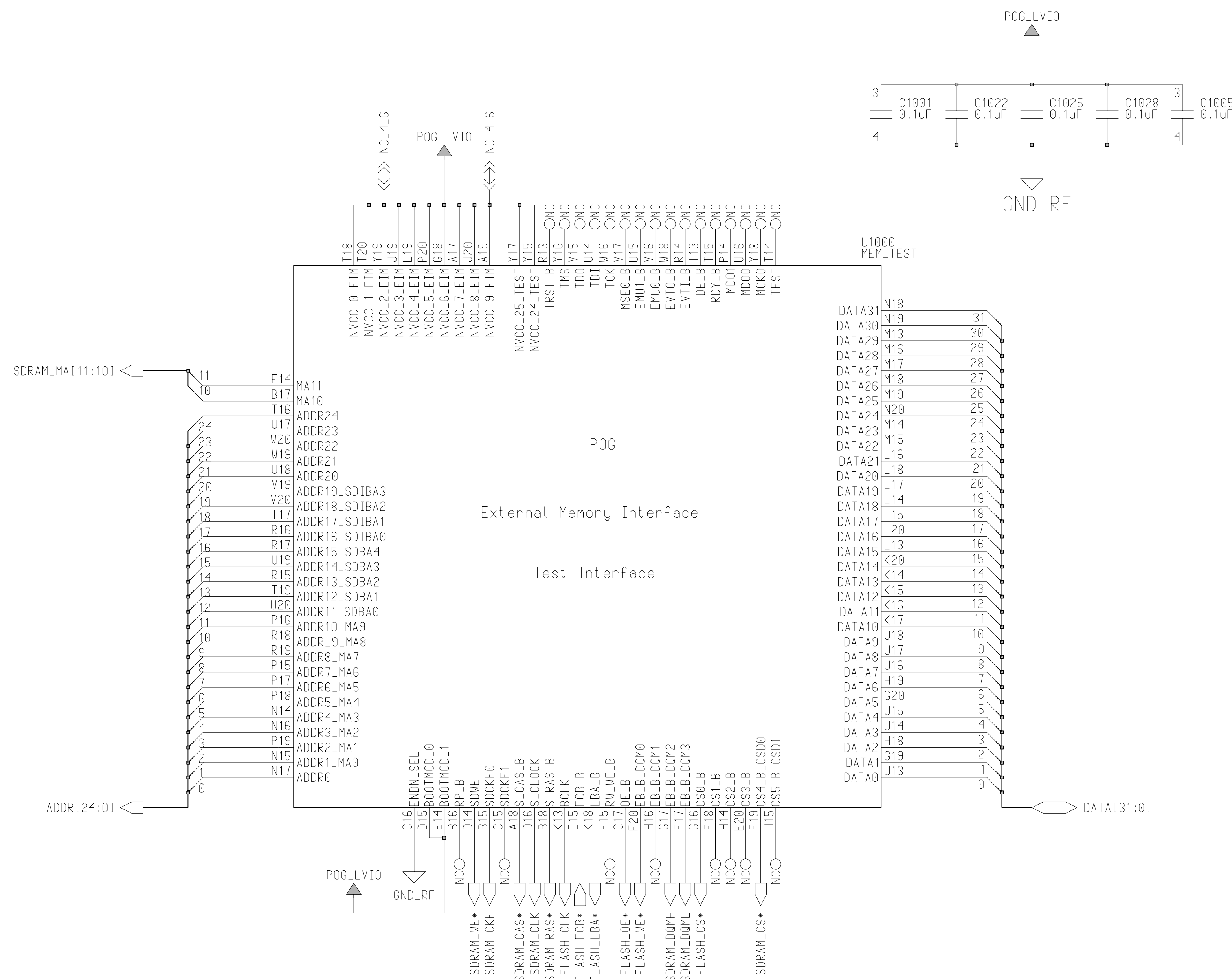
C

D



Engineer: Ed Naddeo		TITLE: TALON Integrated		Size: 11x17
Drawn by: Ed Naddeo		POG		
R&D CHK:		Accessories Interface		
DOC CTRL CHK:		REV: 1.0	Drawing Number: 8488888x88	Page: 2
MFG CTRL CHK:		Date: Tuesday, February 26, 2002		Time: 4:39:04 pm
QA CHK:		wlen01		

Engineer: Ed Nadeo				
Drawn by: Ed Nadeo				
R&D CHK:	TITLE: Talon Integrated POG	Size: 11x17		
DOC CTRL CHK:	Memory and Test Interface			
MFG CTRL CHK:	REV: 1.0	Drawing Number: 8488888x88	Page: 3	Of: 4
QA CHK:	Date: Tuesday, February 26, 2002		Time: 6:15:09 pm	
Changed by: wlen01				



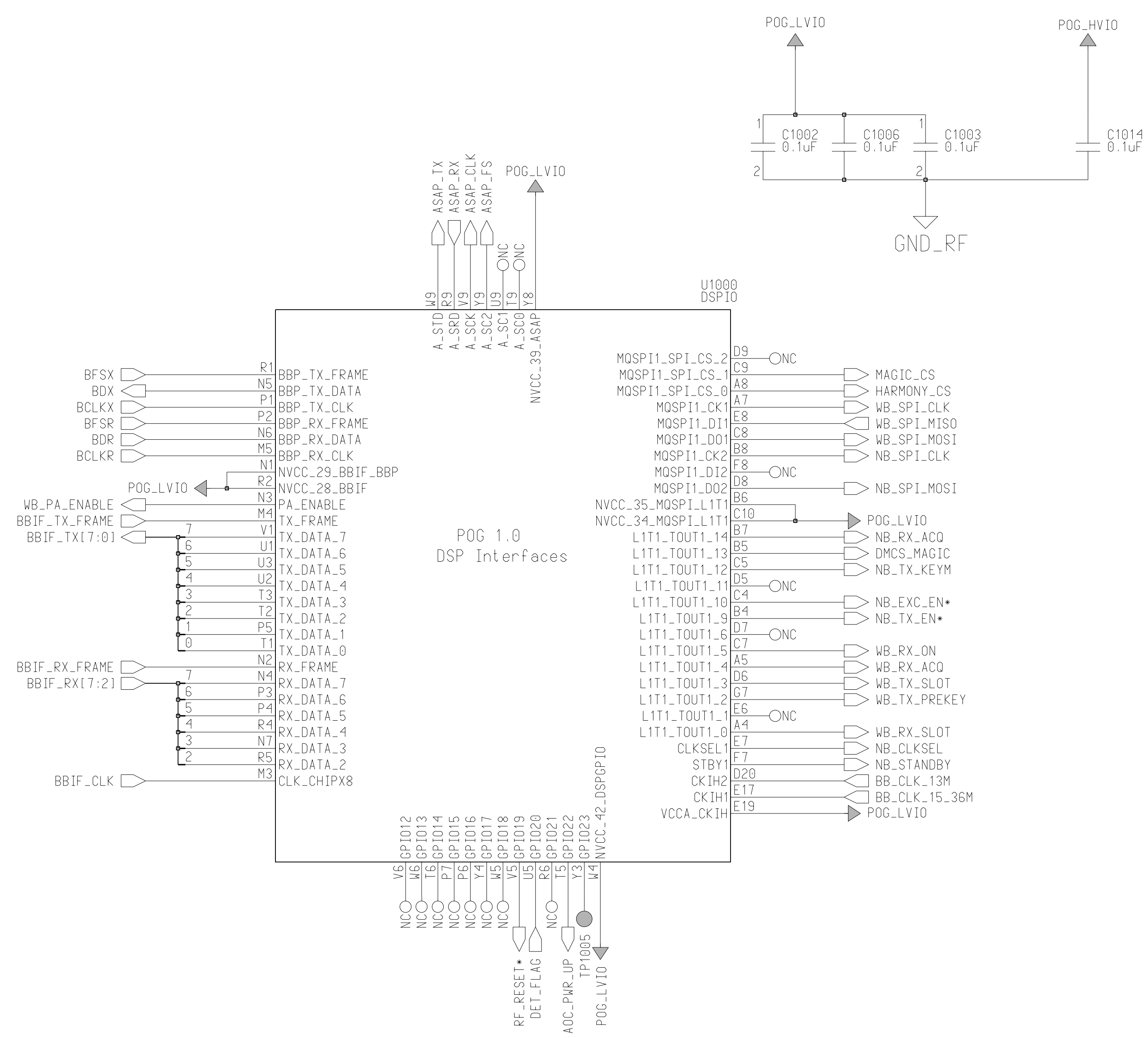
A

B

C

D

Engineer: Ed Nadeo			
Drawn by: Ed Nadeo			
R&D CHK:	TITLE: Talon Integrated POG DSP Interface	Size: 11x17	
DOC CTRL CHK:			
MFG CTRL CHK:			
QA CHK:	REV: 1.0	Drawing Number: 8488888x88	Page: 4 Of: 4
Changed by: wlen01	Date: Tuesday, February 26, 2002	Time: 6:16:44 pm	

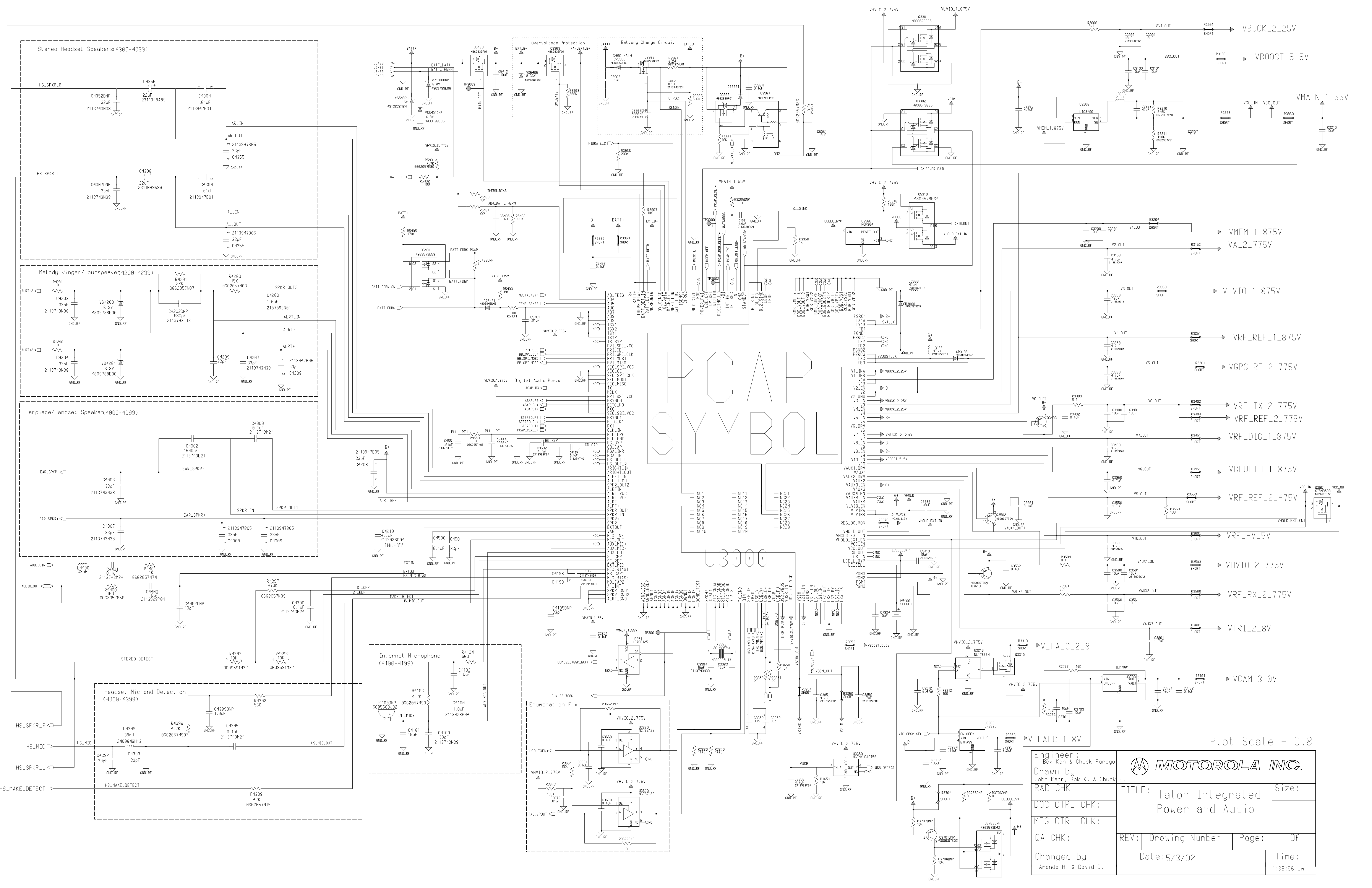


A

B

C

D



TALON
SYMBOL

Plot Scale = 0.8

Engineer: Bok Koh & Chuck Farago		MOTOROLA INC.	
Drawn by: John Kerr, Bok K. & Chuck F.		TITLE: Talon Integrated Power and Audio	
R&D CHK:	DOC CTRL CHK:	Size:	
MFG CTRL CHK:	QA CHK:	REV: Drawing Number:	Page: 0f
Changed by: Amanda H. & David D.		Date: 5/3/02	Time: 1:36:56 pm