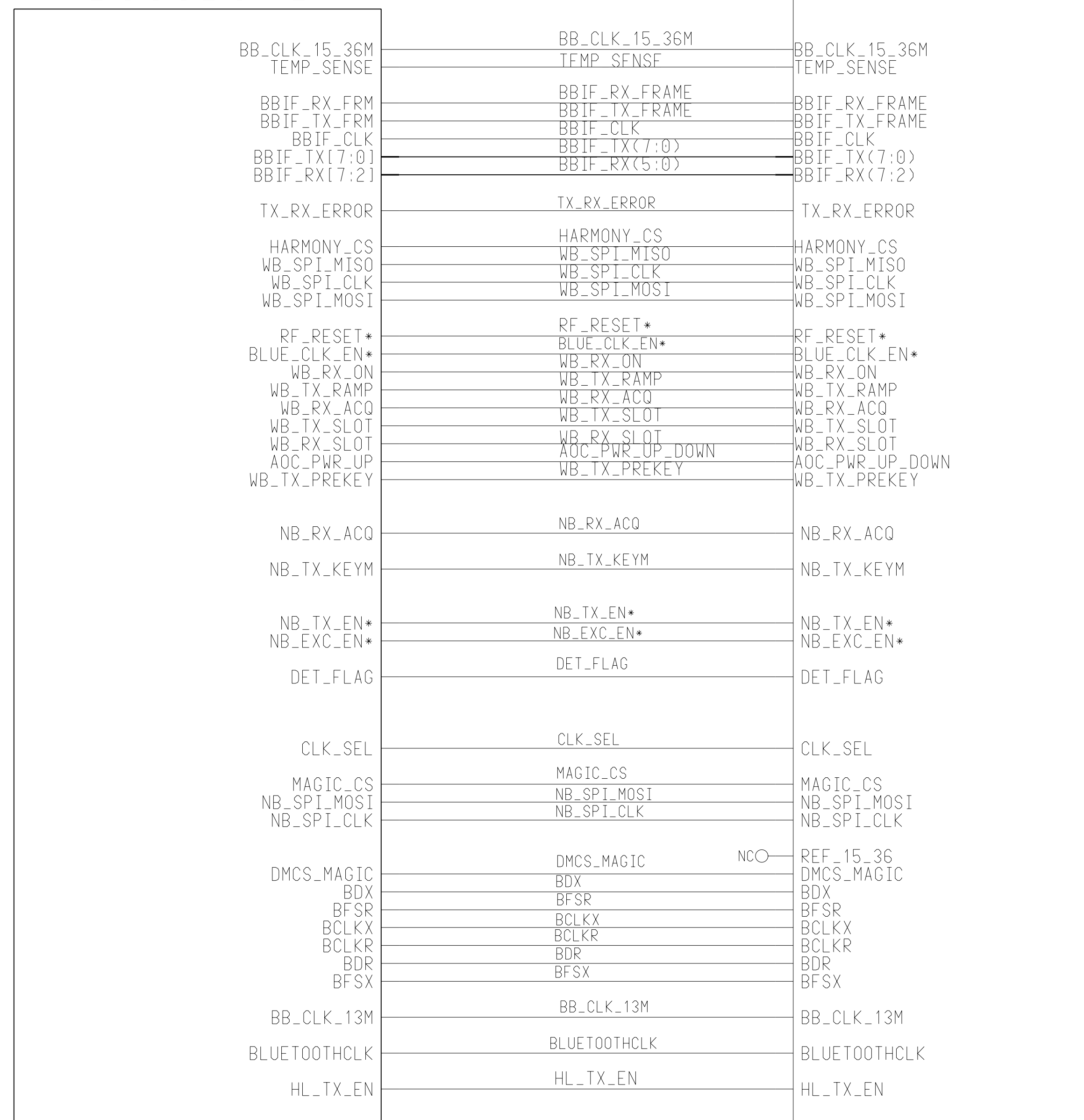
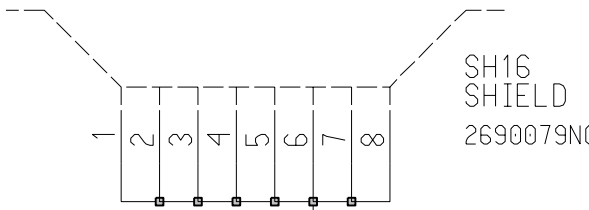
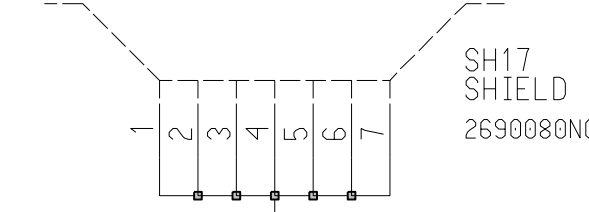
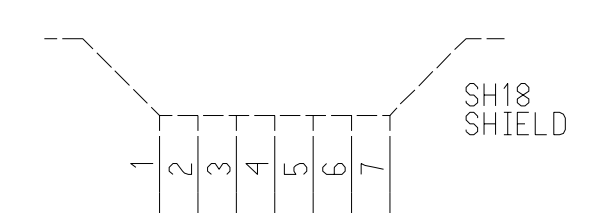
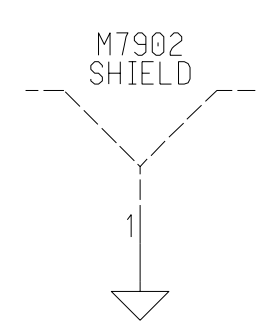
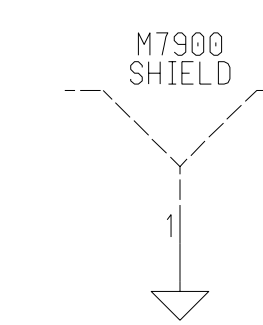
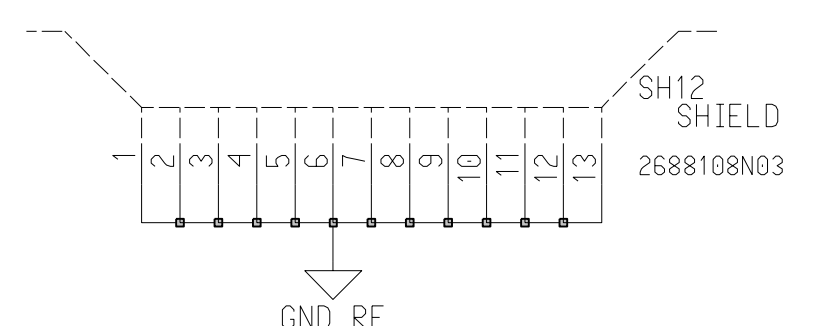
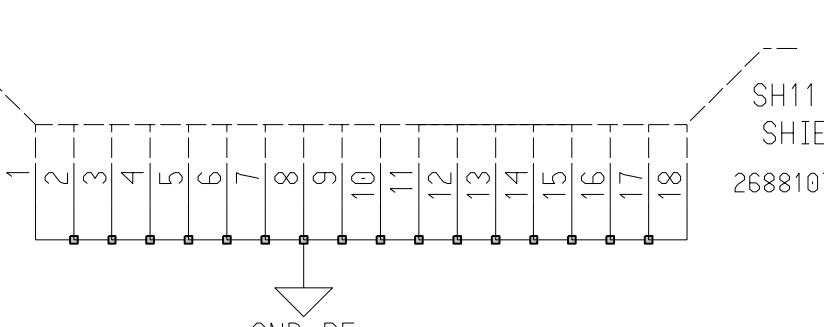
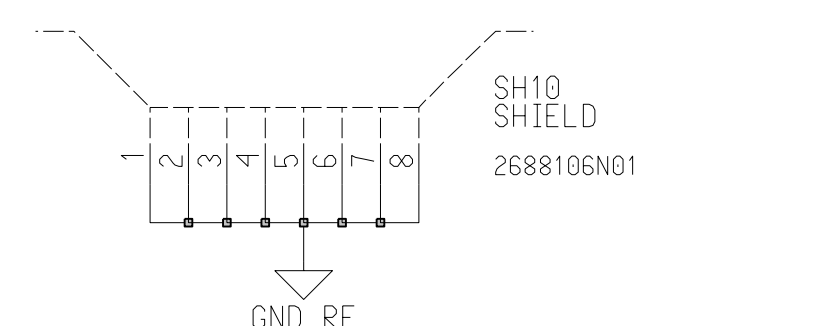
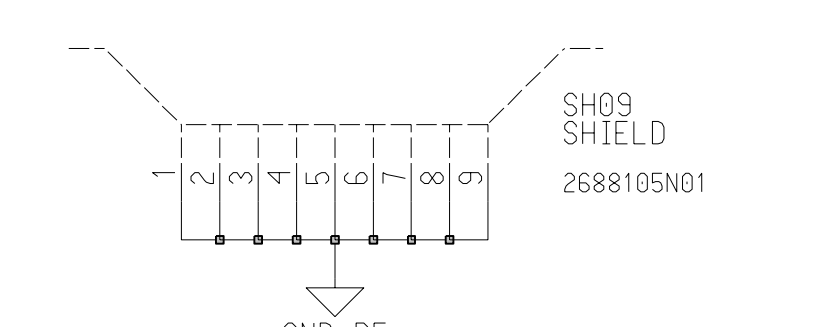
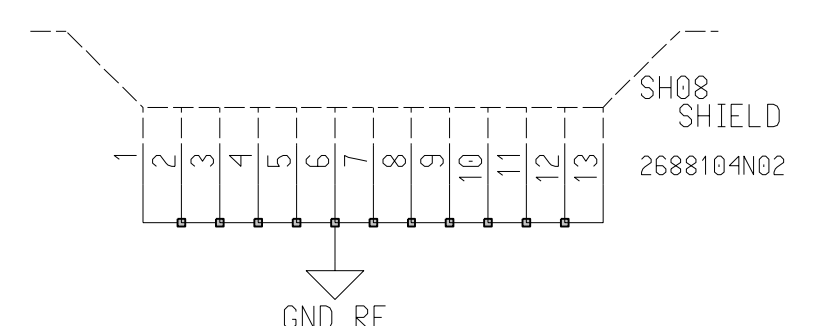
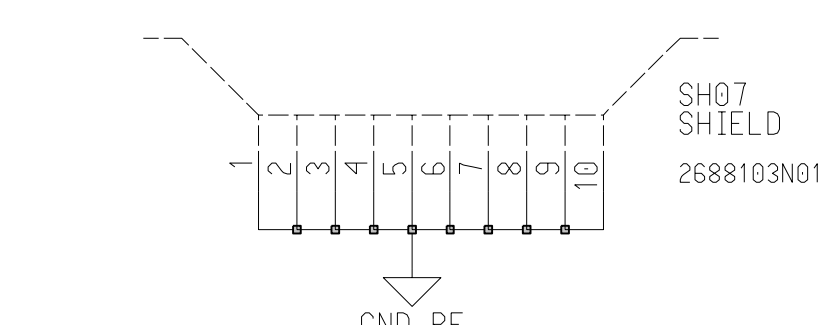
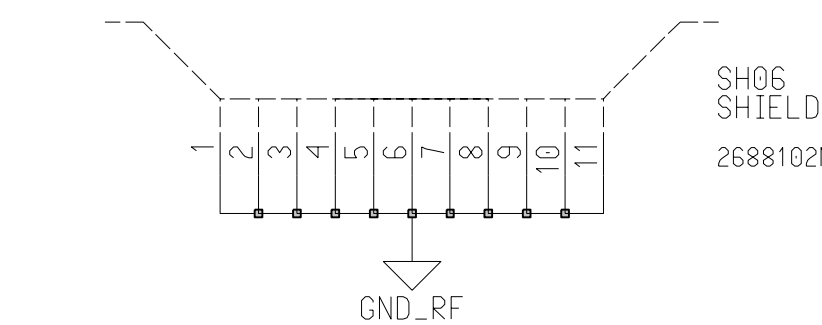
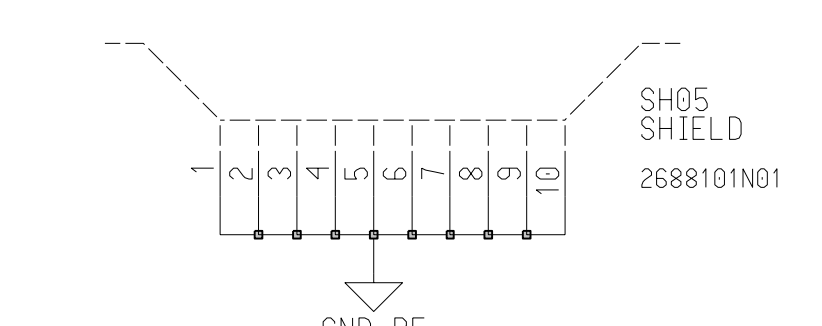
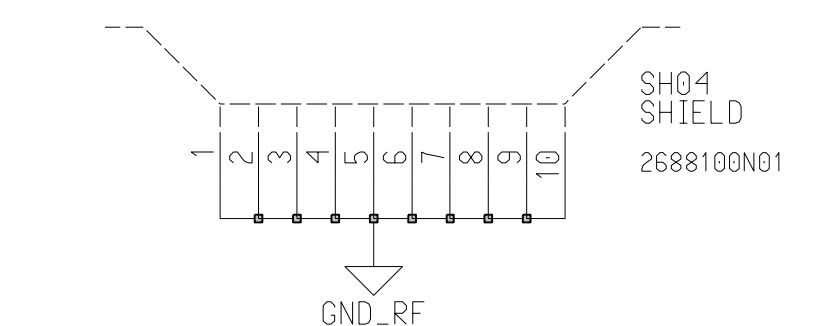
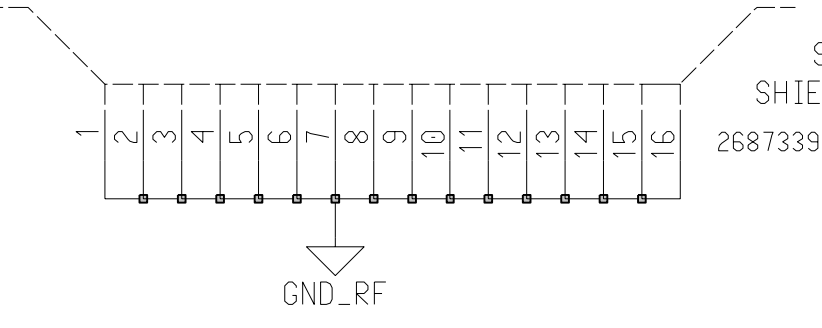
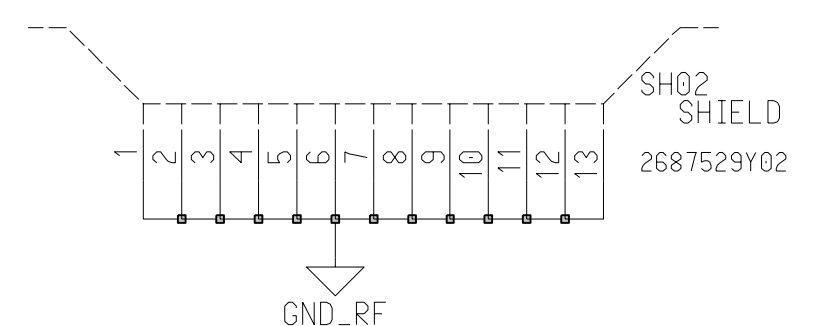
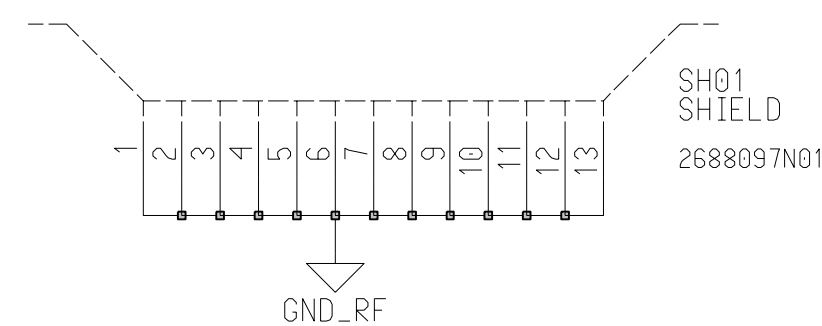


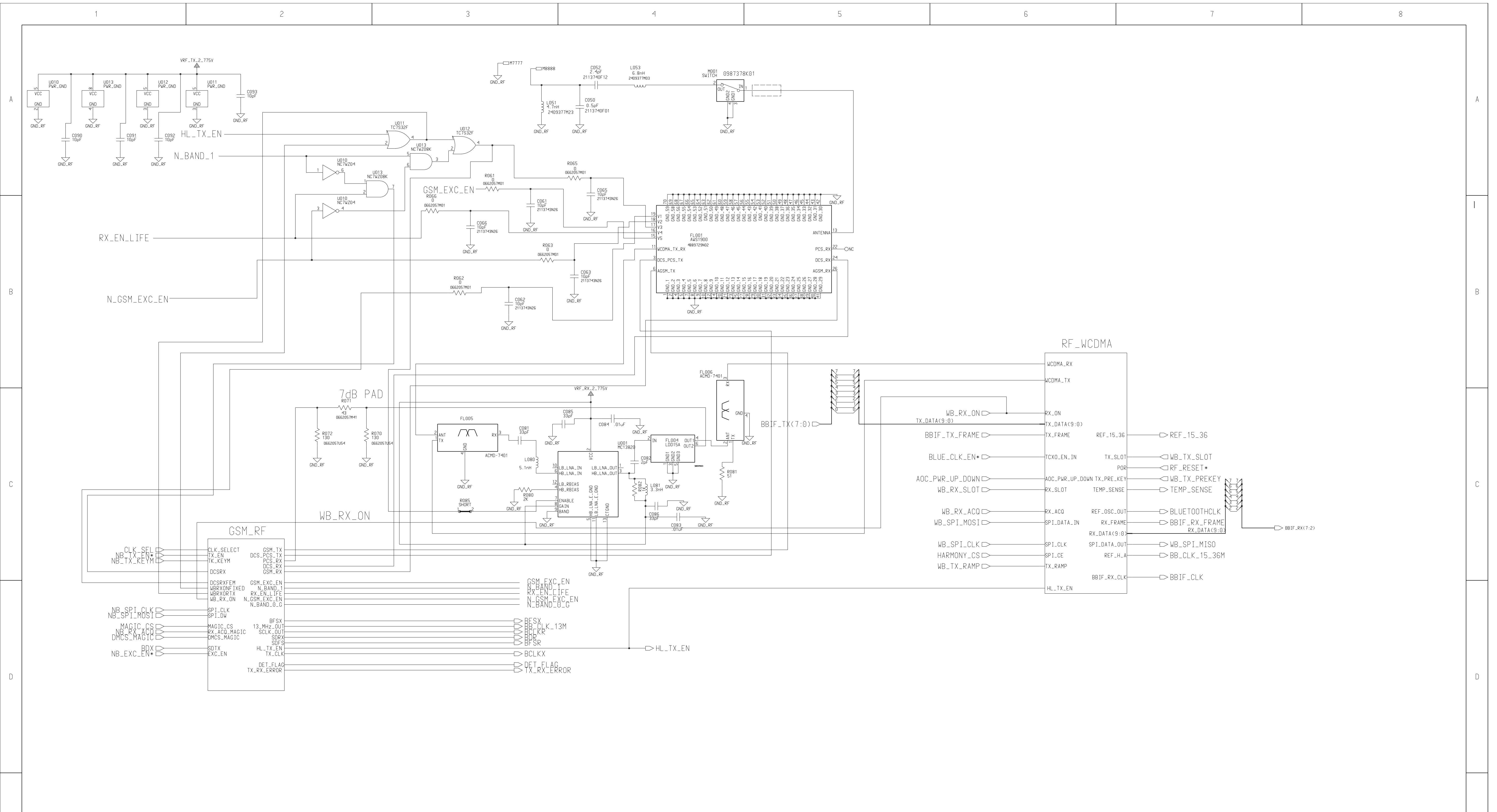
Baseband

RF



Engineer: Ed Naddeo	TITLE: Talon Integrated			Size: 11x17
Drawn by: Ed Naddeo	Top Level			
R&D CHK:	REV: P3	Drawing Number: 8489804N03	Page:	Of:
DOC CTRL CHK:				
MFG CTRL CHK:				
QA CHK:				
Changed by: Ed Naddeo	Date: January 7, 2003	Time: 10:43:18 am		

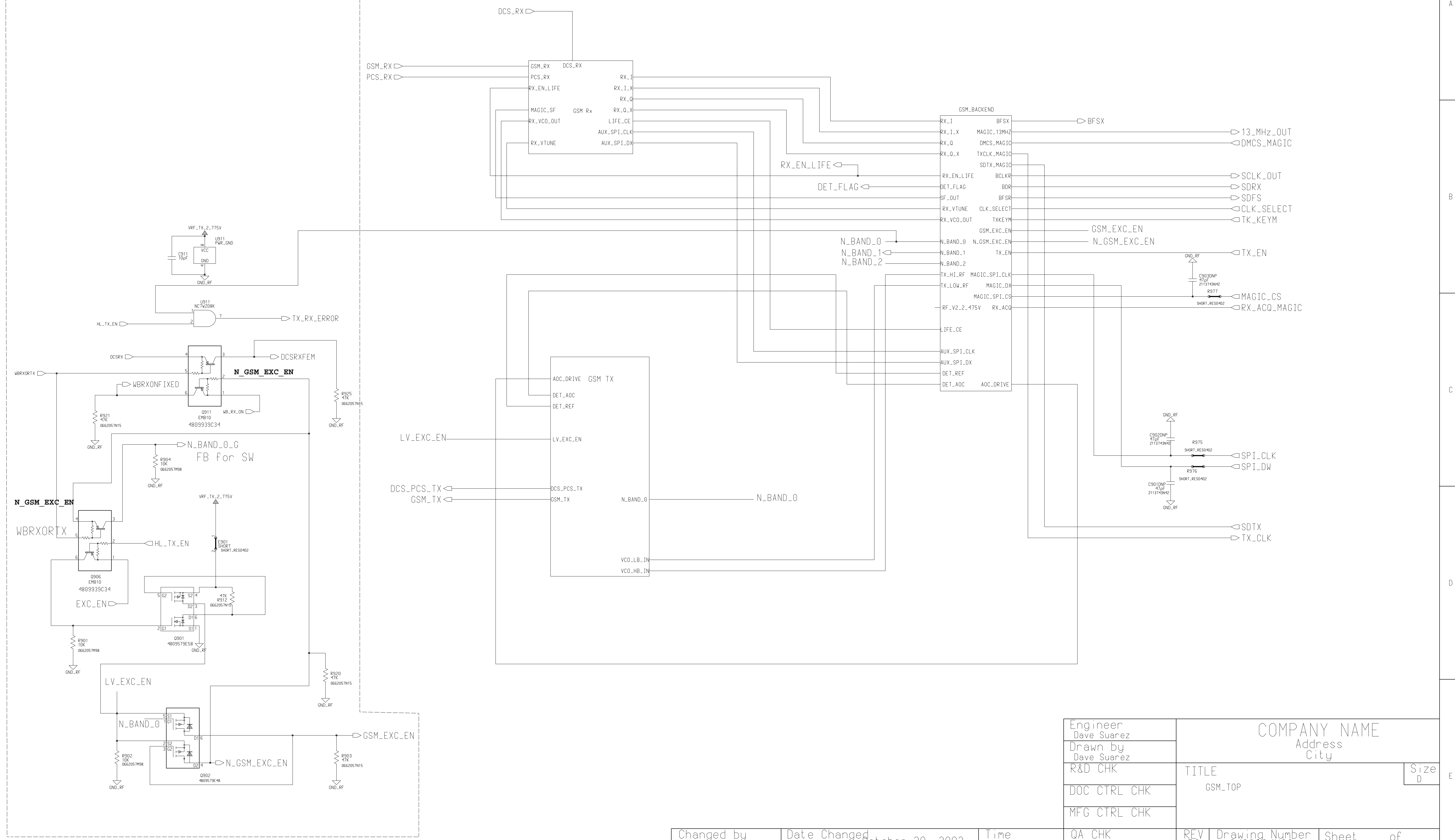




Engineer Dave Suarez	MOTOROLA INC. 600 N US HWY 45 Libertyville, IL		Size D
Drawn by Dave Suarez			
R&D CHK	TITLE		
DOC CTRL CHK	RF_TOP		
MFG CTRL CHK			
QA CHK	REV P4B	Drawing Number 8489804N03	Sheet of

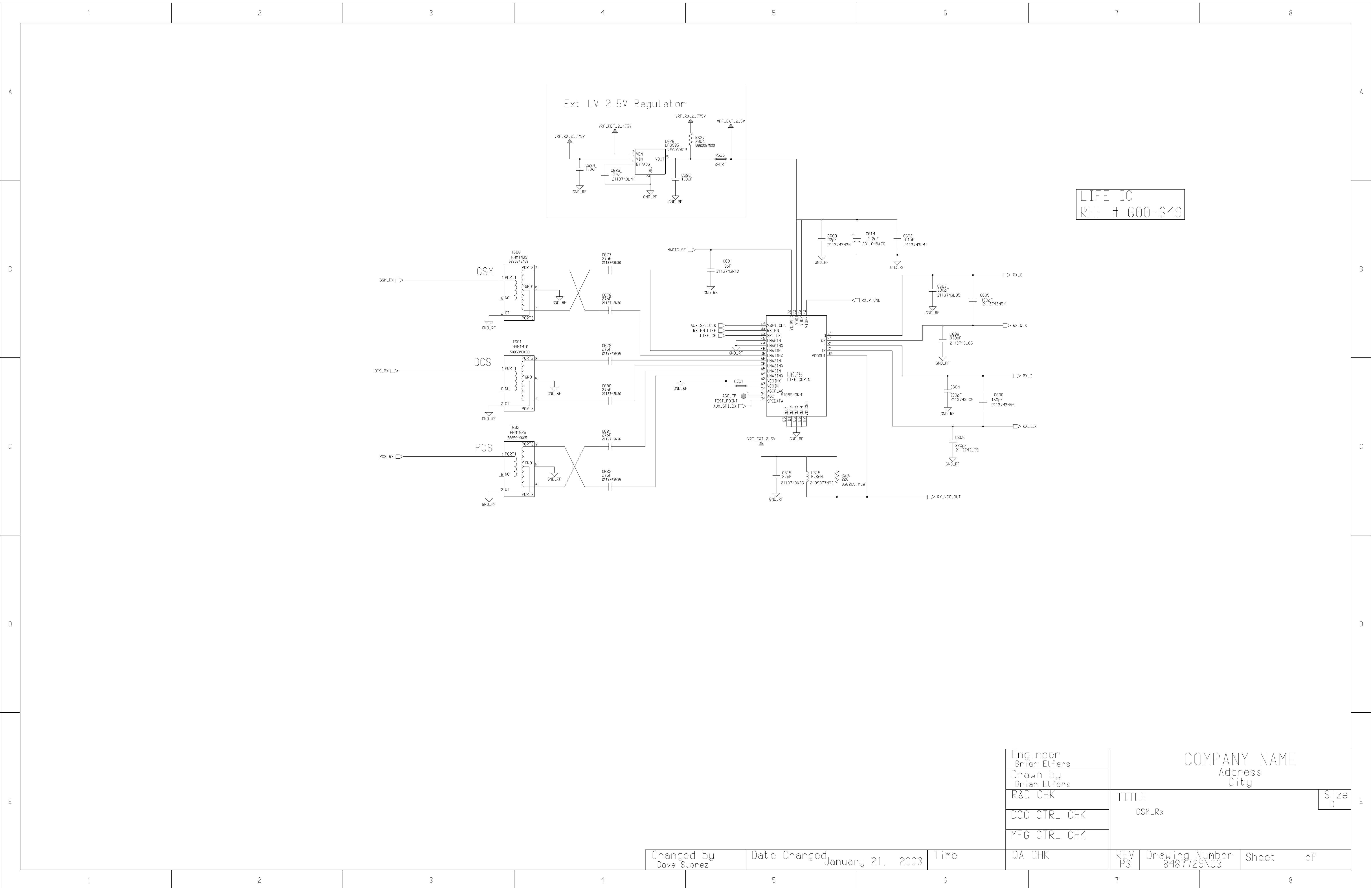
Changed by Dave Suarez Date Changed February 26, 2004 Time 3:59:05 pm

Band Select Circuits REF # 900-925



Engineer Dave Suarez	COMPANY NAME		
Drawn by Dave Suarez	Address City		
R&D CHK	TITLE	Size	D
DOC CTRL CHK	GSM_TOP		
MFG CTRL CHK			
QA CHK	REV P3	Drawing Number 8489804N03	Sheet of

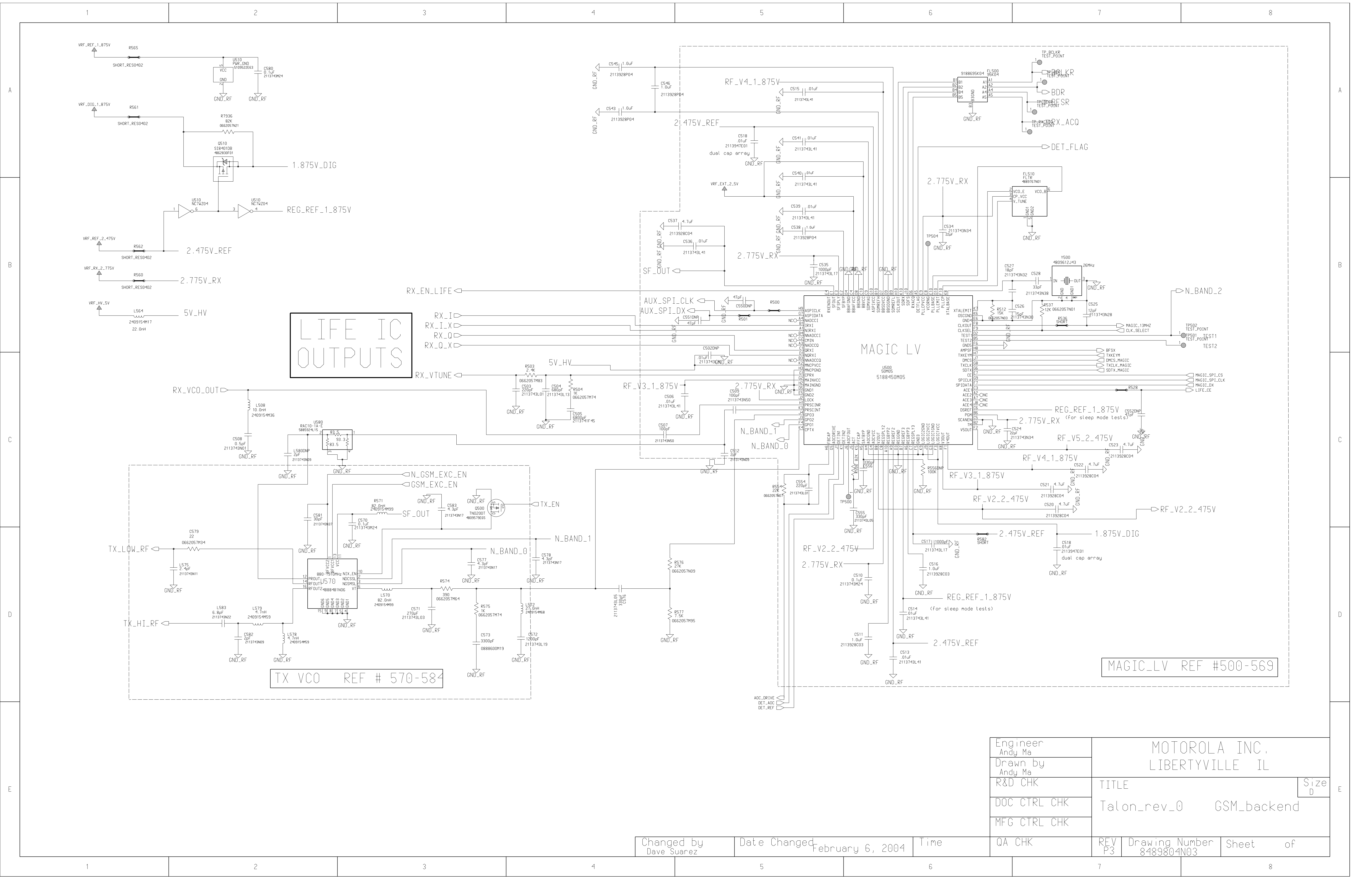
Changed by Dave Suarez Date Changed October 20, 2003 Time



LIFE IC
REF # 600-649

Engineer Brian Elfers	COMPANY NAME		
Drawn by Brian Elfers	Address City		
R&D CHK	TITLE	Size D	
DOC CTRL CHK	GSM_Rx		
MFG CTRL CHK			
QA CHK	REV P3	Drawing Number 8487729N03	Sheet of

Changed by Dave Suarez Date Changed January 21, 2003 Time



LIFE IC
OUTPUTS

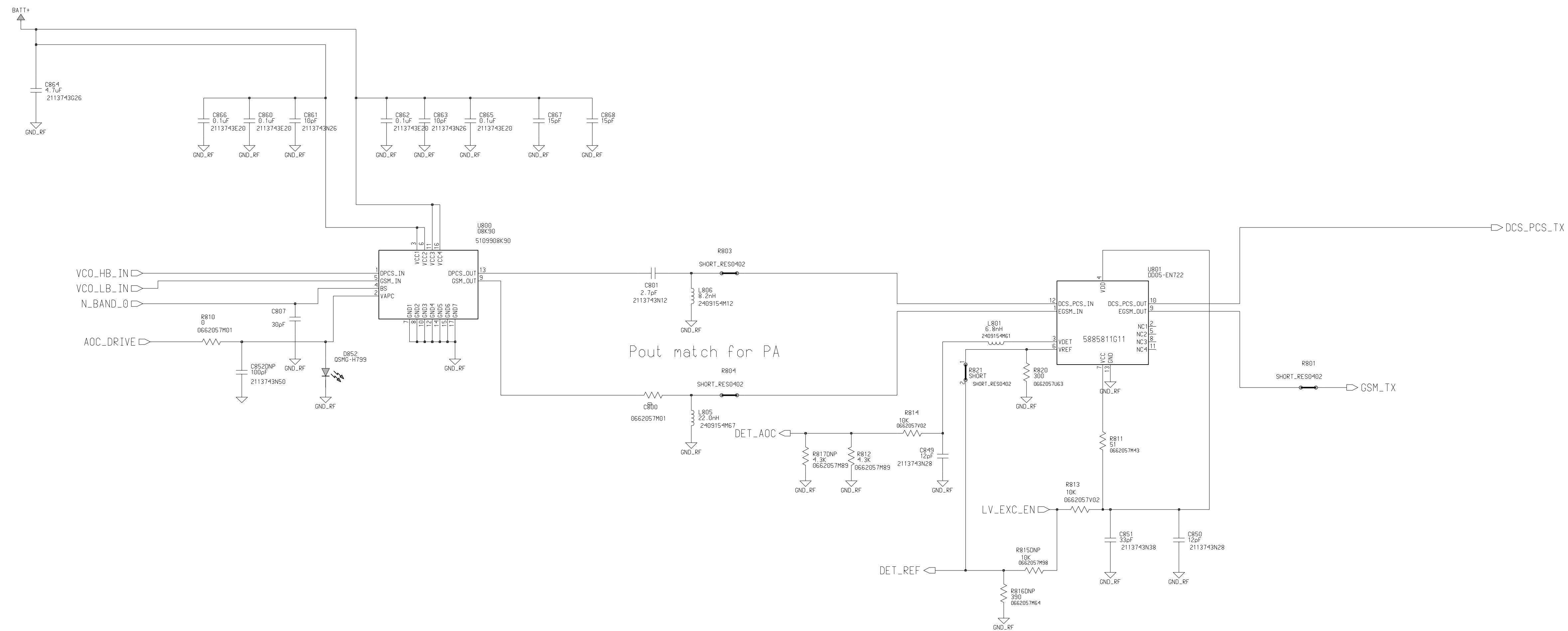
TX VCO REF # 570-584

MAGIC_LV REF #500-569

Engineer Andy Ma	MOTOROLA INC. LIBERTYVILLE IL		
Drawn by Andy Ma	TITLE		
R&D CHK	Talon_rev_0	GSM_backend	Size D
DOC CTRL CHK			
MFG CTRL CHK			
QA CHK	REV P3	Drawing Number 8489804N03	Sheet of

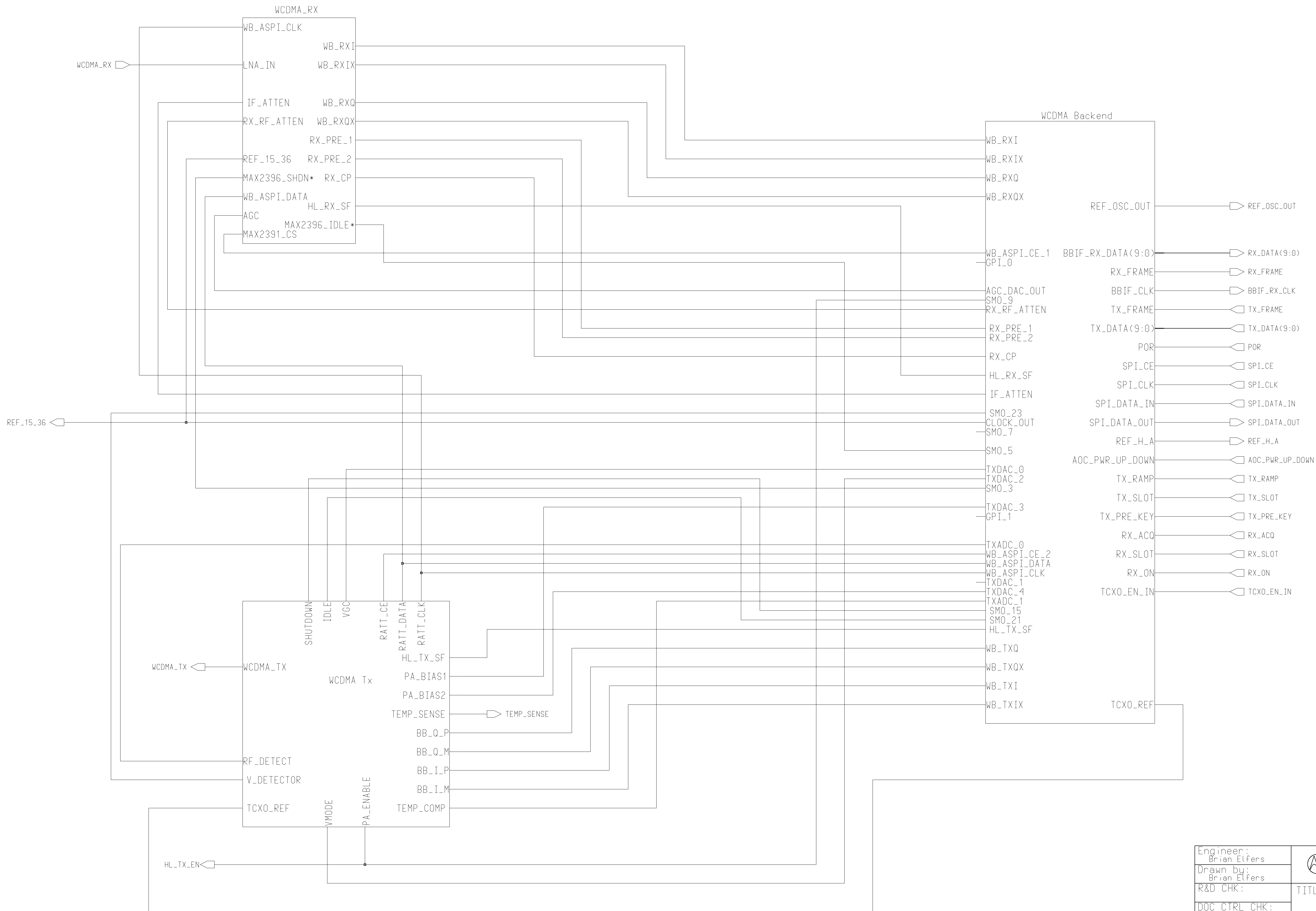
Changed by Dave Suarez Date Changed February 6, 2004 Time

GSM Transmitter

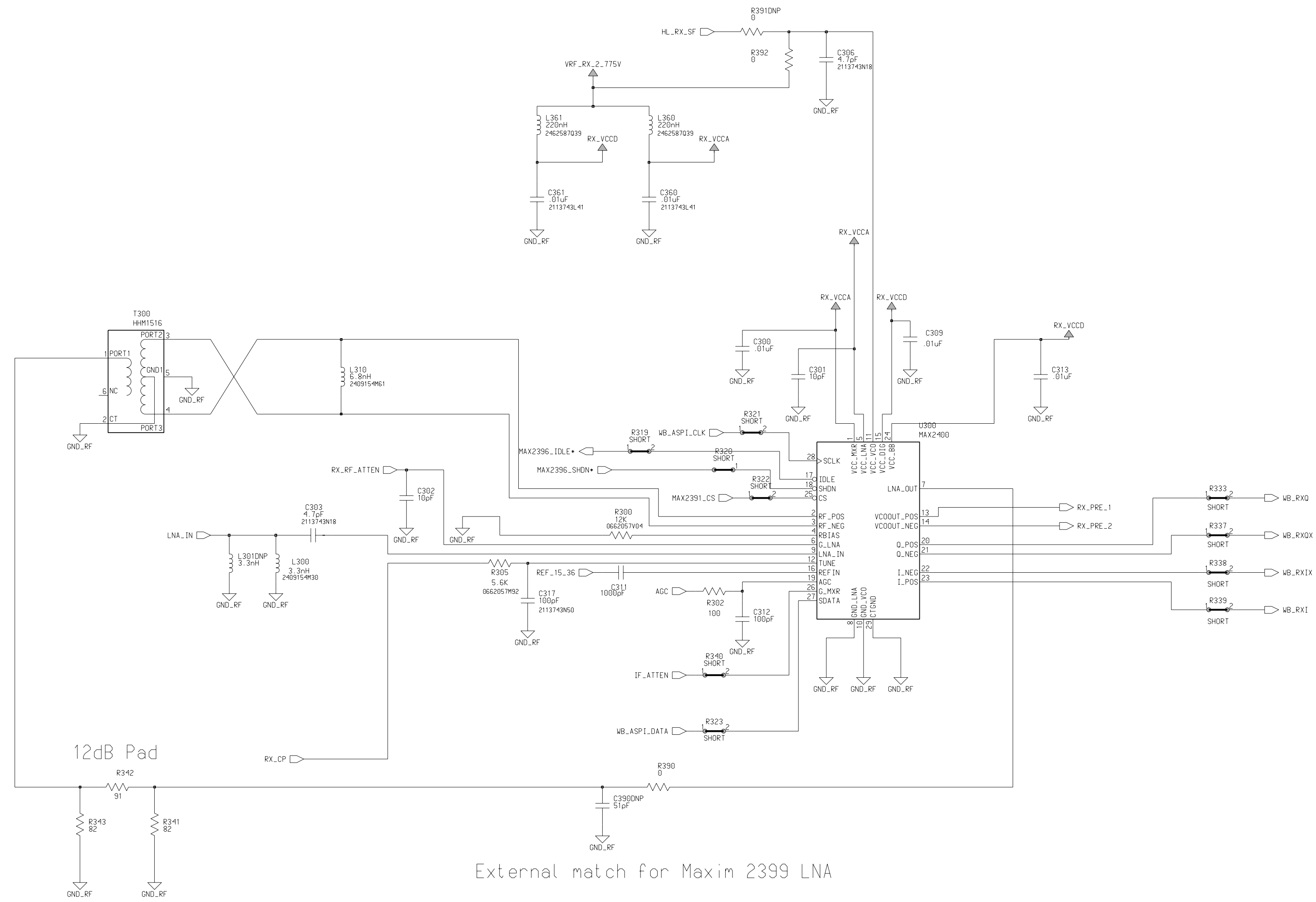


Engineer Paul Manente	COMPANY NAME Address City		
Drawn by Paul Manente			
R&D CHK	TITLE	Size D	
DOC CTRL CHK	GSM_TX_D		
MFG CTRL CHK	GSM_Transmitter		
QA CHK	REV P3	Drawing Number 8489804N03	Sheet of

Changed by Dave Suarez Date Changed December 10, 2003 Time

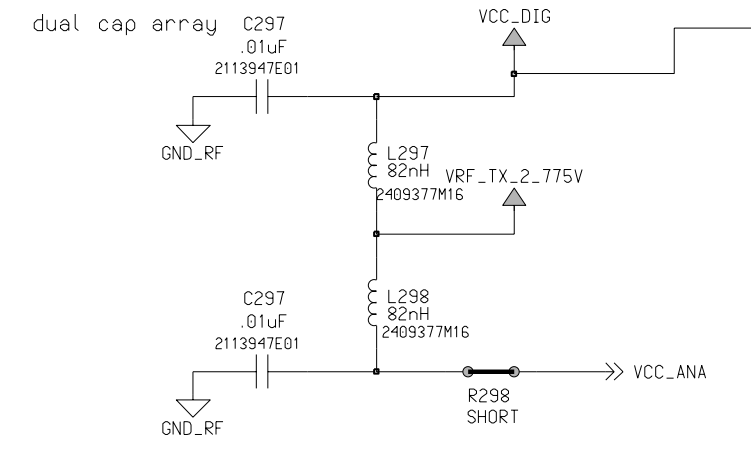
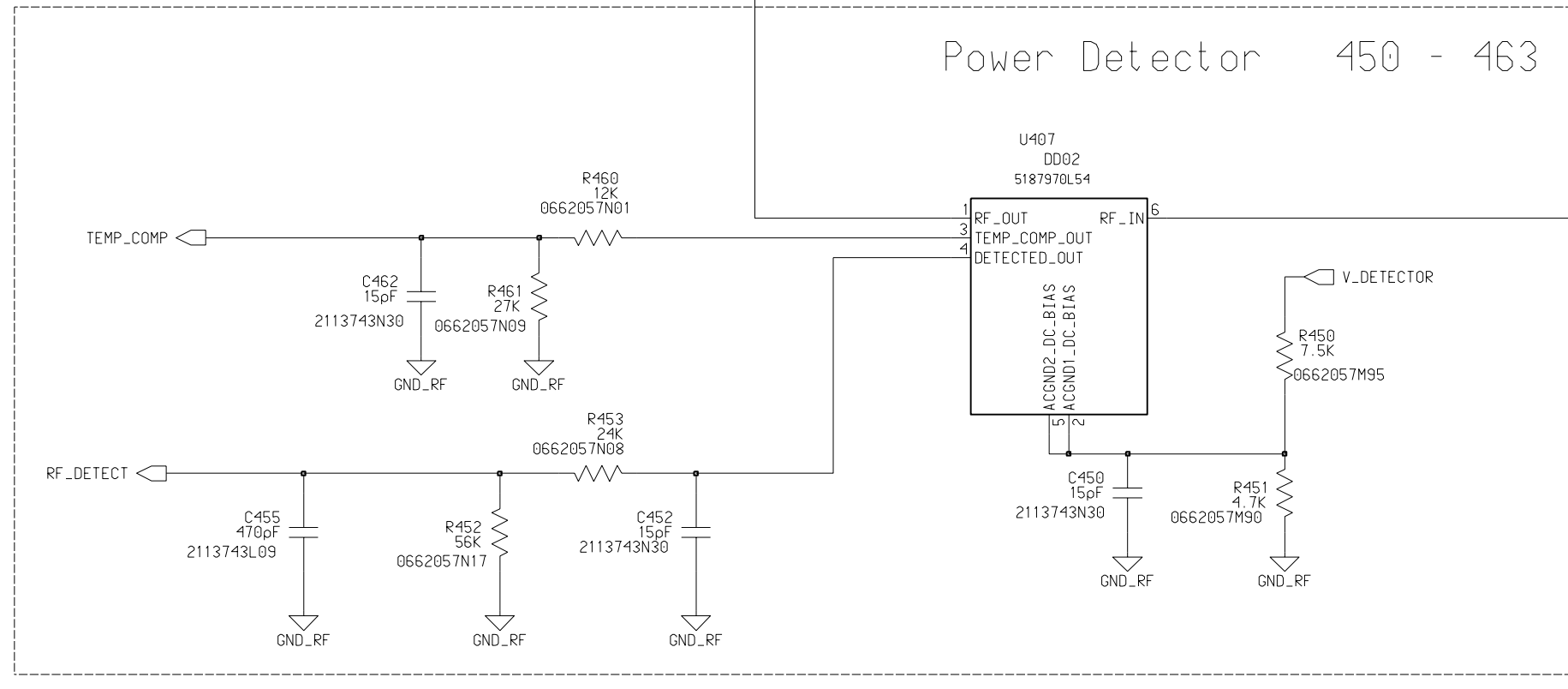
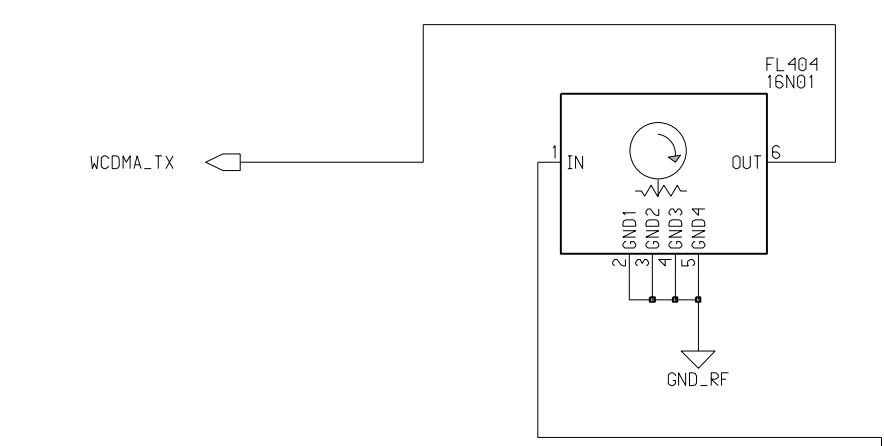


Engineer: Brian Elfers			
Drawn by: Brian Elfers			
R&D CHK:	TITLE: Talon_rev_0	Size: 11x17	
DOC CTRL CHK:			
MFG CTRL CHK:			
QA CHK:	REV: P3	Drawing Number: 8487729N03	Page: Of:
Changed by: Dave Suarez	Date: Friday, April 20, 2001		Time: 4:07:28 pm

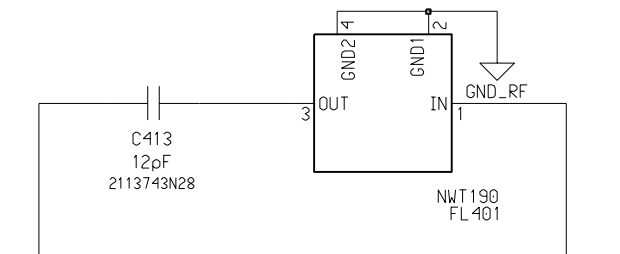


Engineer:	Randy Wessner	
Drawn by:	Randy Wessner	
R&D CHK:		TITLE: wcdma_rx
DOC CTRL CHK:		Size: 0
MFG CTRL CHK:		
QA CHK:		REV: 0
Changed by:	Dave Suarez	Drawing Number: 3487723N05
		Page: 01
		Date: June 12, 2003
		Time: 4:33:16 pm

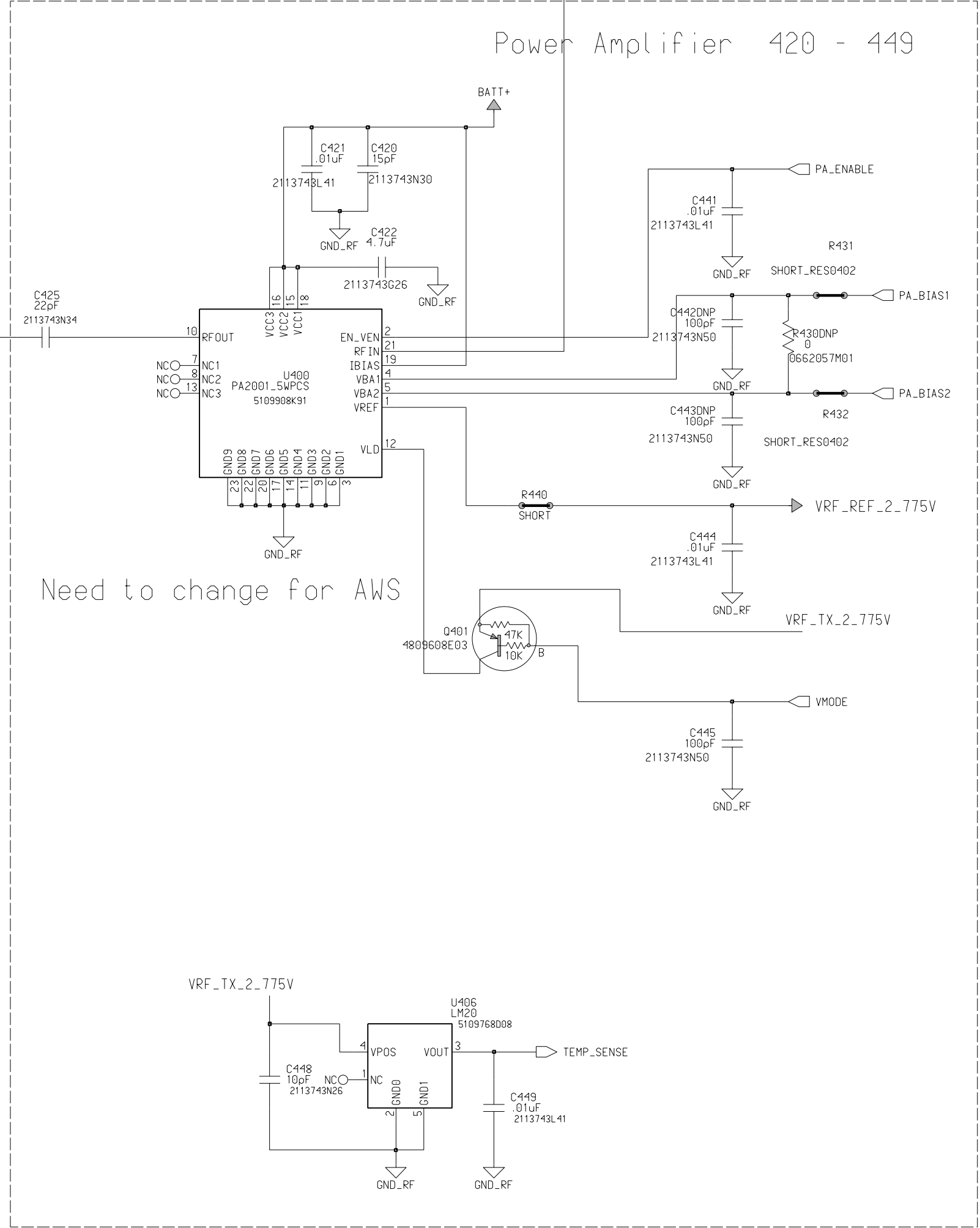
WCDMA Transmitter (TALON)



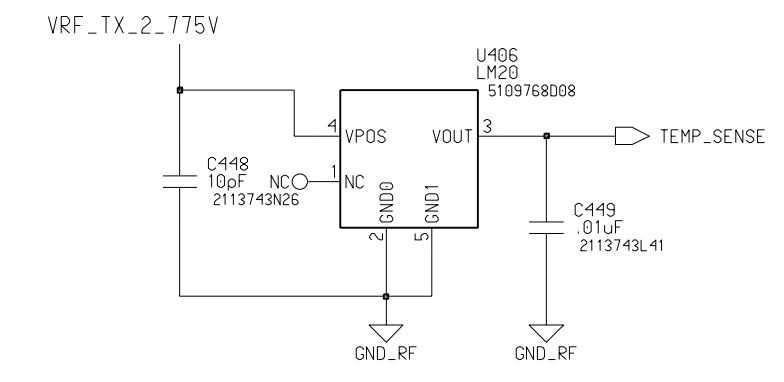
Interstage filter 1850 - 1910



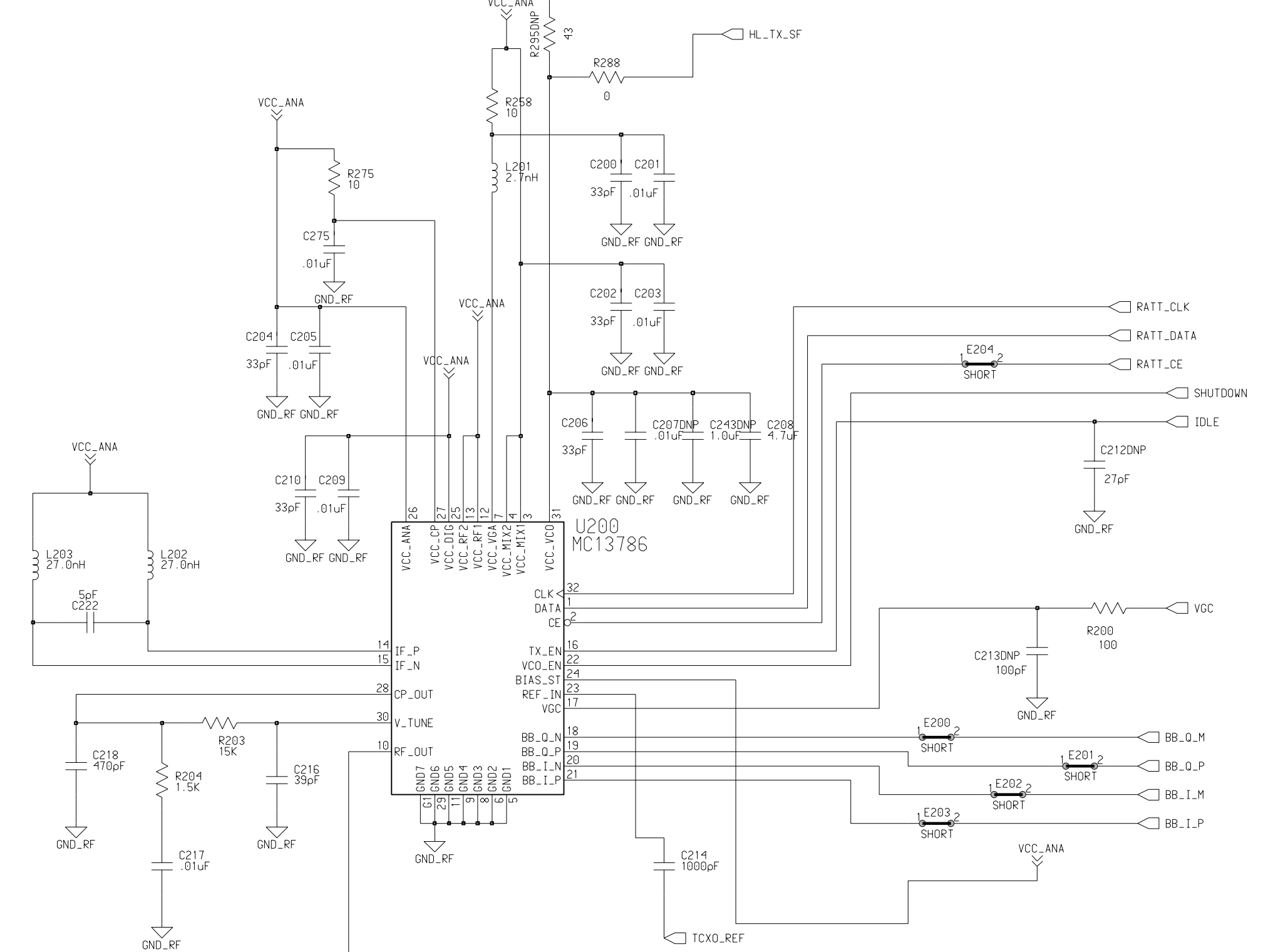
Power Amplifier 420 - 449



Need to change for AWS



Quadrature modulator and upmixer 200-299



Engineer John Mura	COMPANY NAME Address City		
Drawn by John Mura			
R&D CHK	TITLE WCDMA-Tx	Size D	
DOC CTRL CHK	REV P4B	Drawing Number 8489804N04	
MFG CTRL CHK	QA CHK	Sheet 1 of 1	

MOTOROLA CONFIDENTIAL PROPRIETARY

Engineer:
John S. Kerr
Drawn by:
Todd Roessler
R&D CHK:
DOC CTRL CHK:
MFG CTRL CHK:
QA CHK:
Changed by:
Ed Naddeo



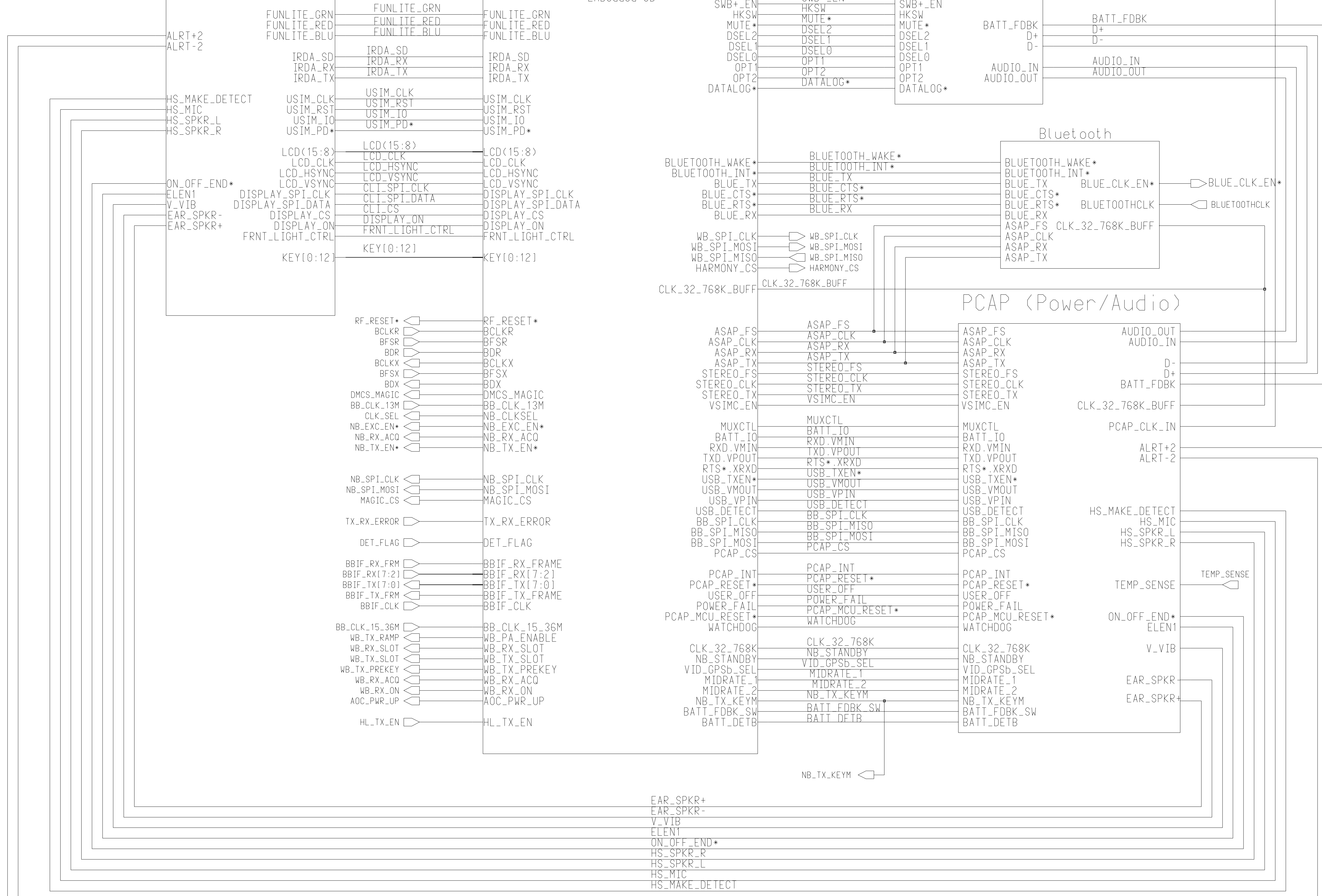
TITLE: Talon Integrated Baseband Top Level
Size: 11x17
REV: Drawing Number: Page: Of:
Date: Monday, March 4, 2002
Time: 10:39:56 am

Misc Connectors

- Display Connector USIM
- Keypad Connector IrDA
- Headset Jack Vibrator
- Fun Lights

CORE LOGIC BLOCK

- POG
- Memories
- Video
- AGPS
- Embedded SD



A

B

C

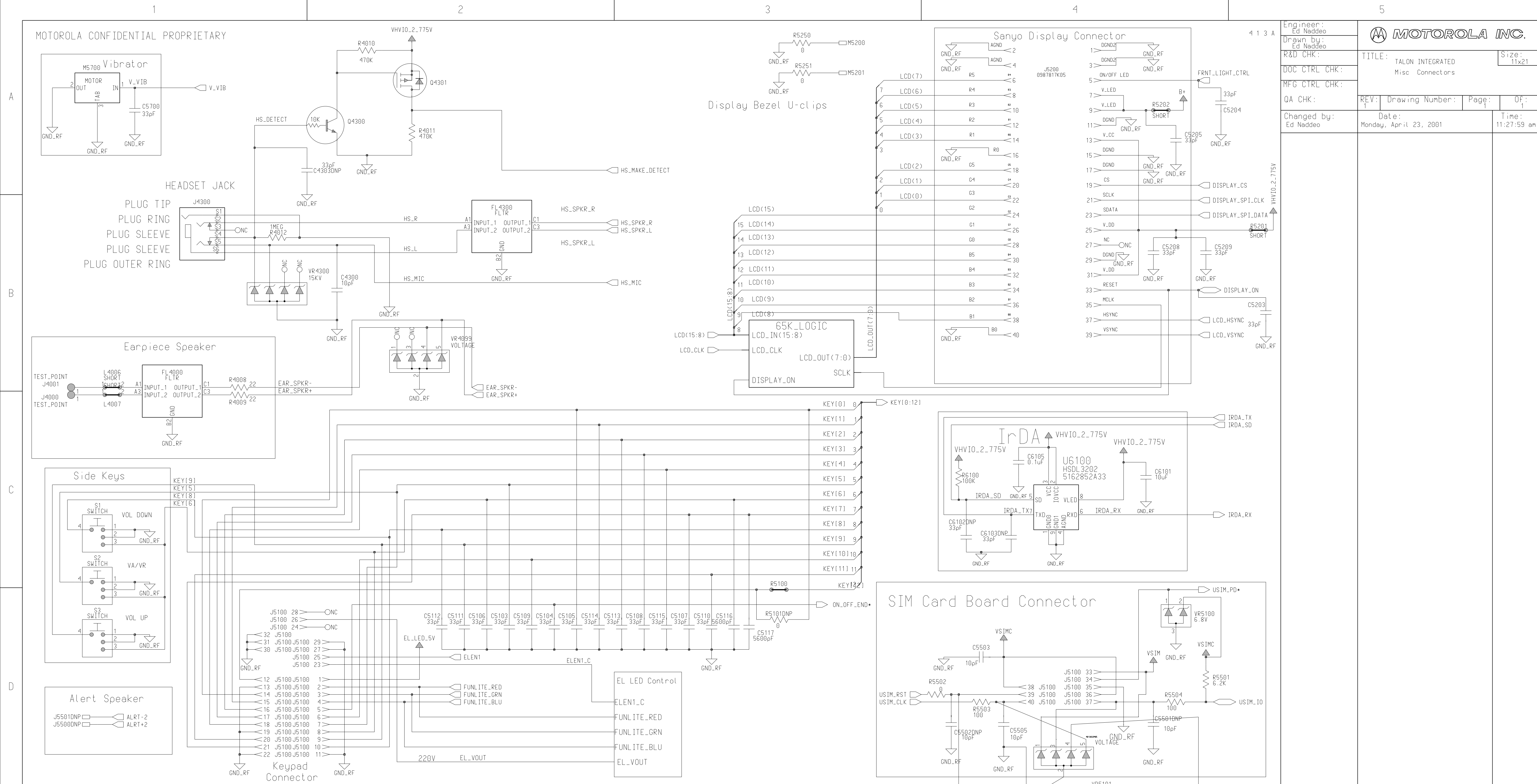
D

- EAR_SPKR+
- EAR_SPKR-
- V_VIB
- ELEN1
- ON_OFF_END*
- HS_SPKR_R
- HS_SPKR_L
- HS_MIC
- HS_MAKE_DETECT
- ALRT-
- ALRT+

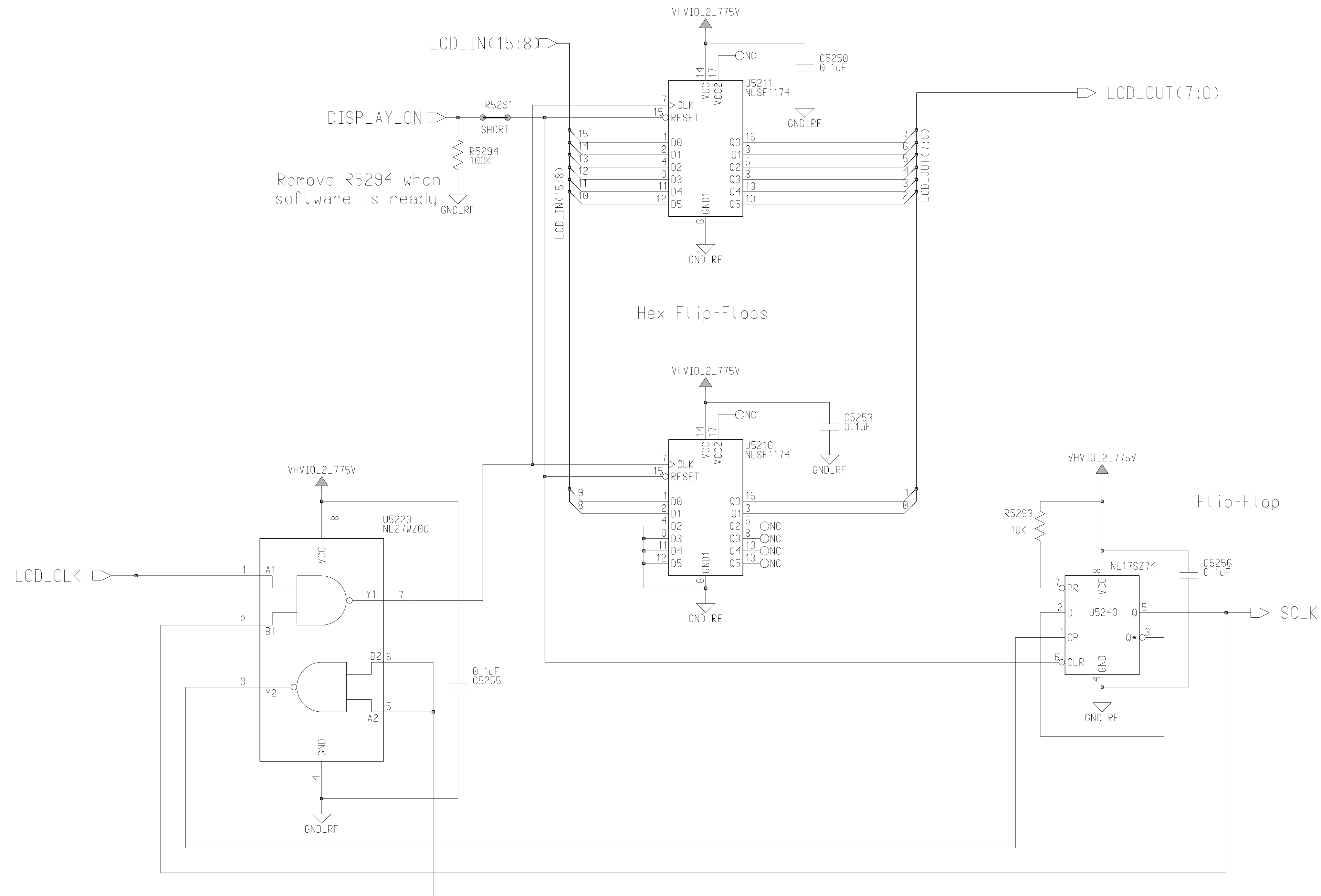
MOTOROLA CONFIDENTIAL PROPRIETARY



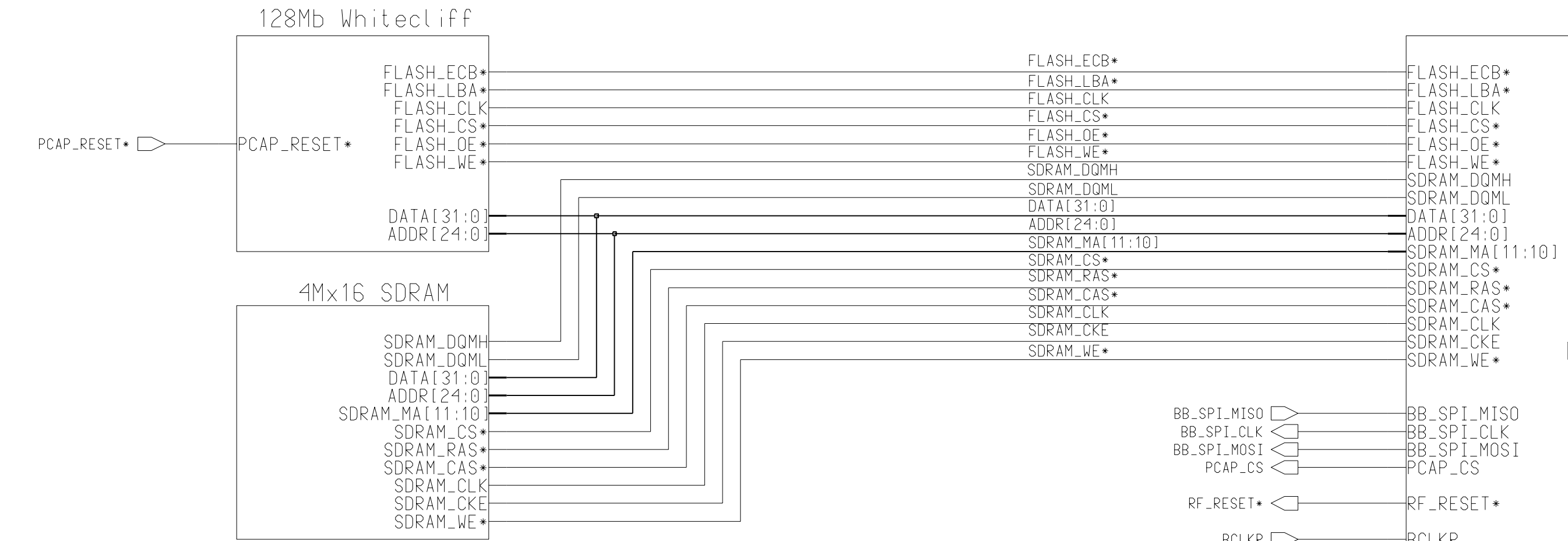
Engineer: Ed Naddeo	TITLE: TALON INTEGRATED Misc Connectors		
Drawn by: Ed Naddeo	Size: 11x21		
R&D CHK:	DOC CTRL CHK:	MFG CTRL CHK:	QA CHK:
Changed by: Ed Naddeo	Date: Monday, April 23, 2001	Page: 1	Of: 1
		Time: 11:27:59 am	



Engineer: Mike Lanfalusi			
Drawn by: Mike Lanfalusi			
R&D CHK:	TITLE: 65K_LOGIC	Size: 11x17	
DOC CTRL CHK:			
MFG CTRL CHK:			
QA CHK:	REV:	Drawing Number:	Page: 1
Changed by: w16808	Date: Thursday, May 2, 2002	Time: 2:04:10 pm	

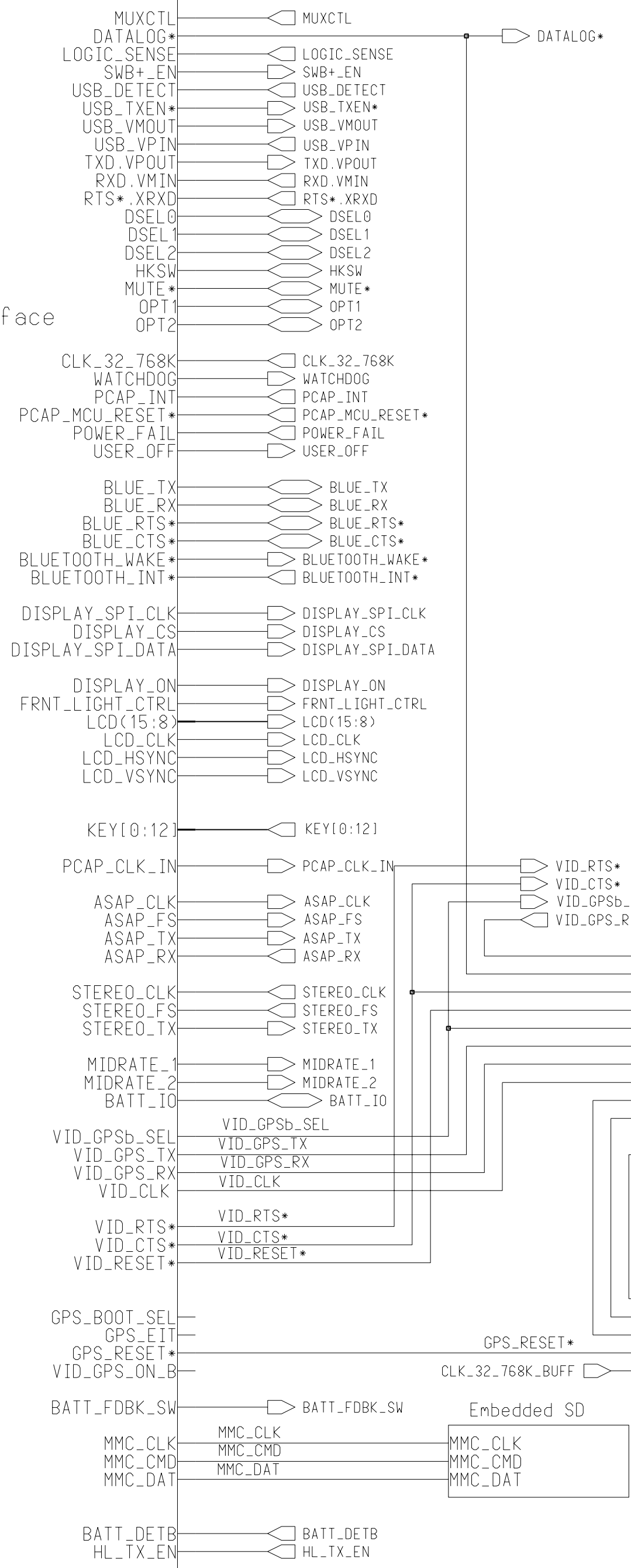
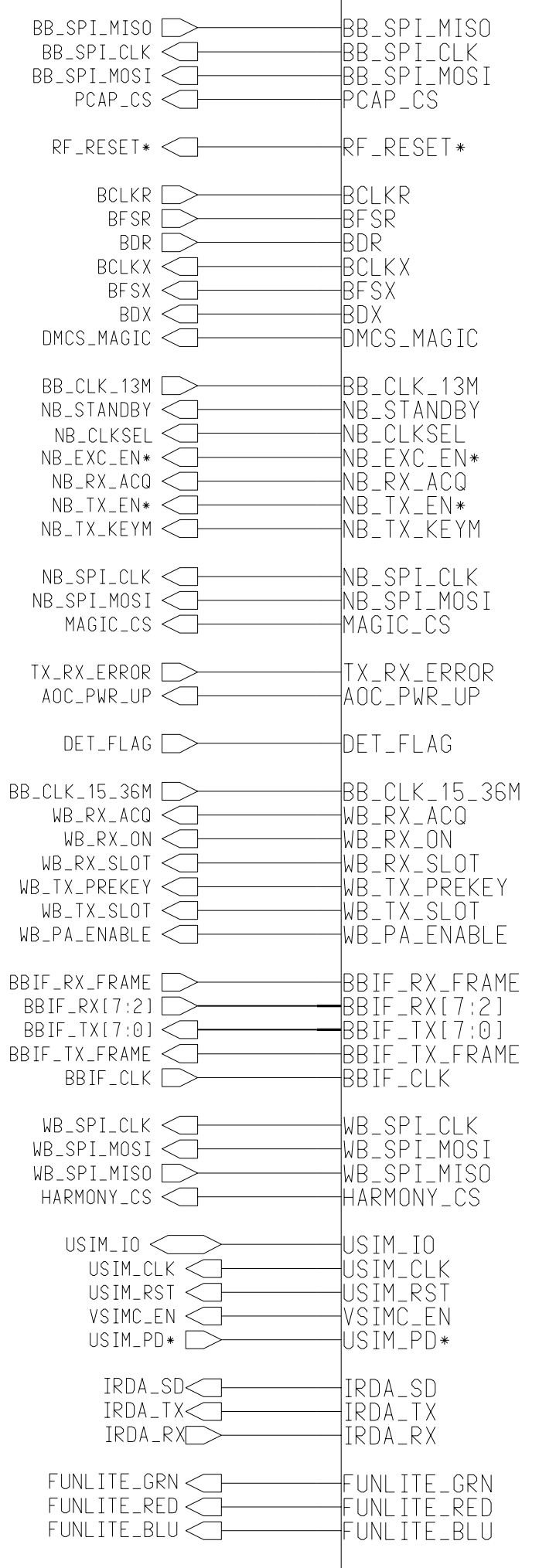


Engineer: Ed Naddeo	TITLE: Talon Integrated Core Logic		Size: 11x21
Drawn by: Ed Naddeo			
R&D CHK:			
DOC CTRL CHK:			
MFG CTRL CHK:			
QA CHK:	REV: 1.0	Drawing Number: 8488888x88	Page: 1
Changed by: wlen01	Date: Friday, March 1, 2002	Time: 1:16:44 pm	

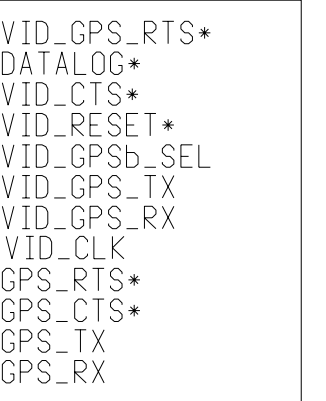


POG and Memories should be placed together

POG Hierarchy Block
4 Sheets
MCU and IPCM Peripheral Interface
Memory & Test Interface
DSP Interface
Power



VIDEO



GAM GPS BLOCK



Embedded SD



A
B
C
D

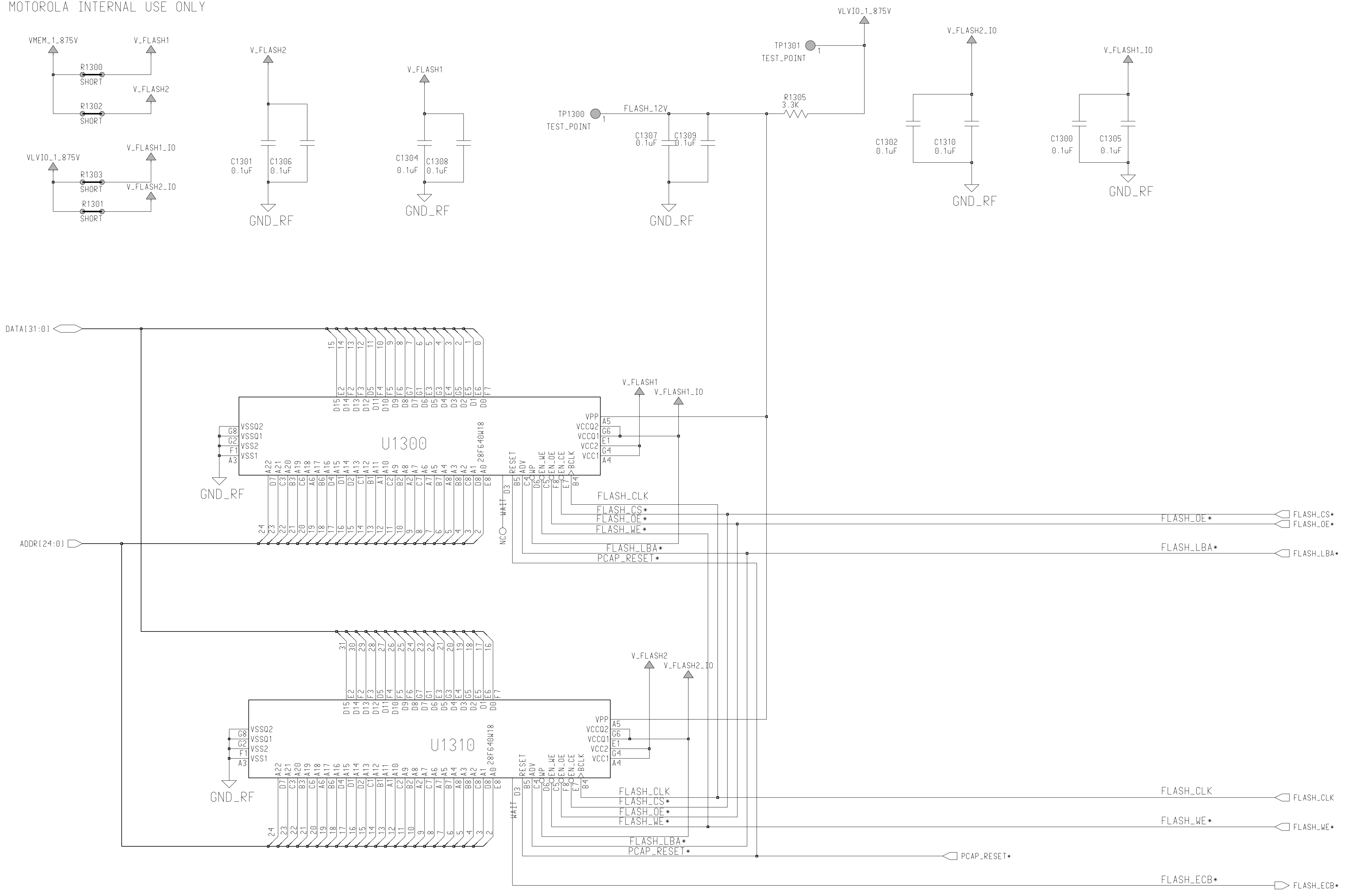
MOTOROLA INTERNAL USE ONLY

4 1 3 A

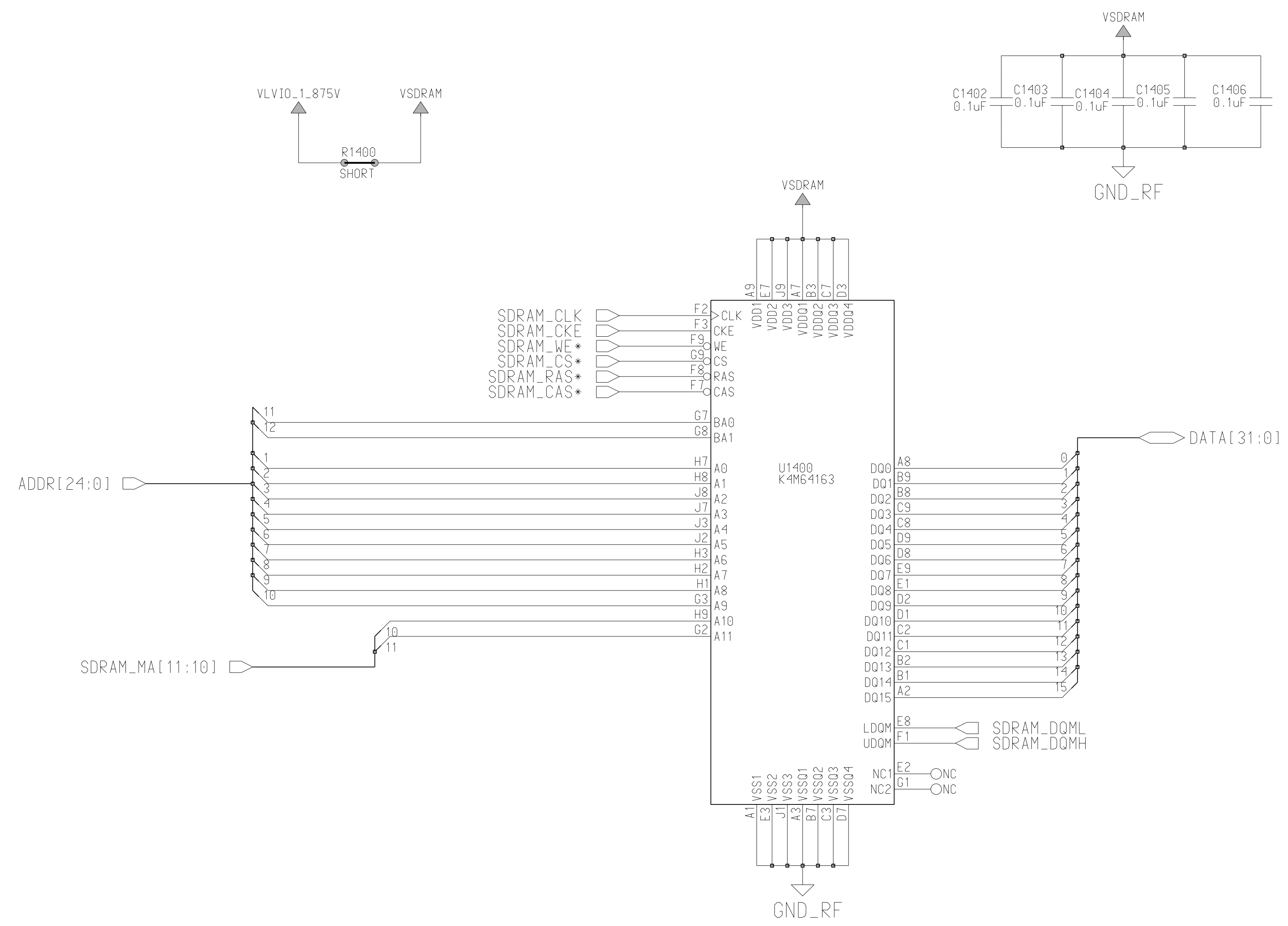


Engineer: Ed Naddeo	TITLE: Talon Integrated Flash Memory			Size: 11x21
Drawn by: Ed Naddeo				
R&D CHK:				
DOC CTRL CHK:				
MFG CTRL CHK:				
QA CHK:	REV: 0.1	Drawing Number:	Page: 1	OF: 1
Changed by: Chris Pipe	Date: Monday, May 6, 2002	Time: 9:32:29 am		

A
B
C
D



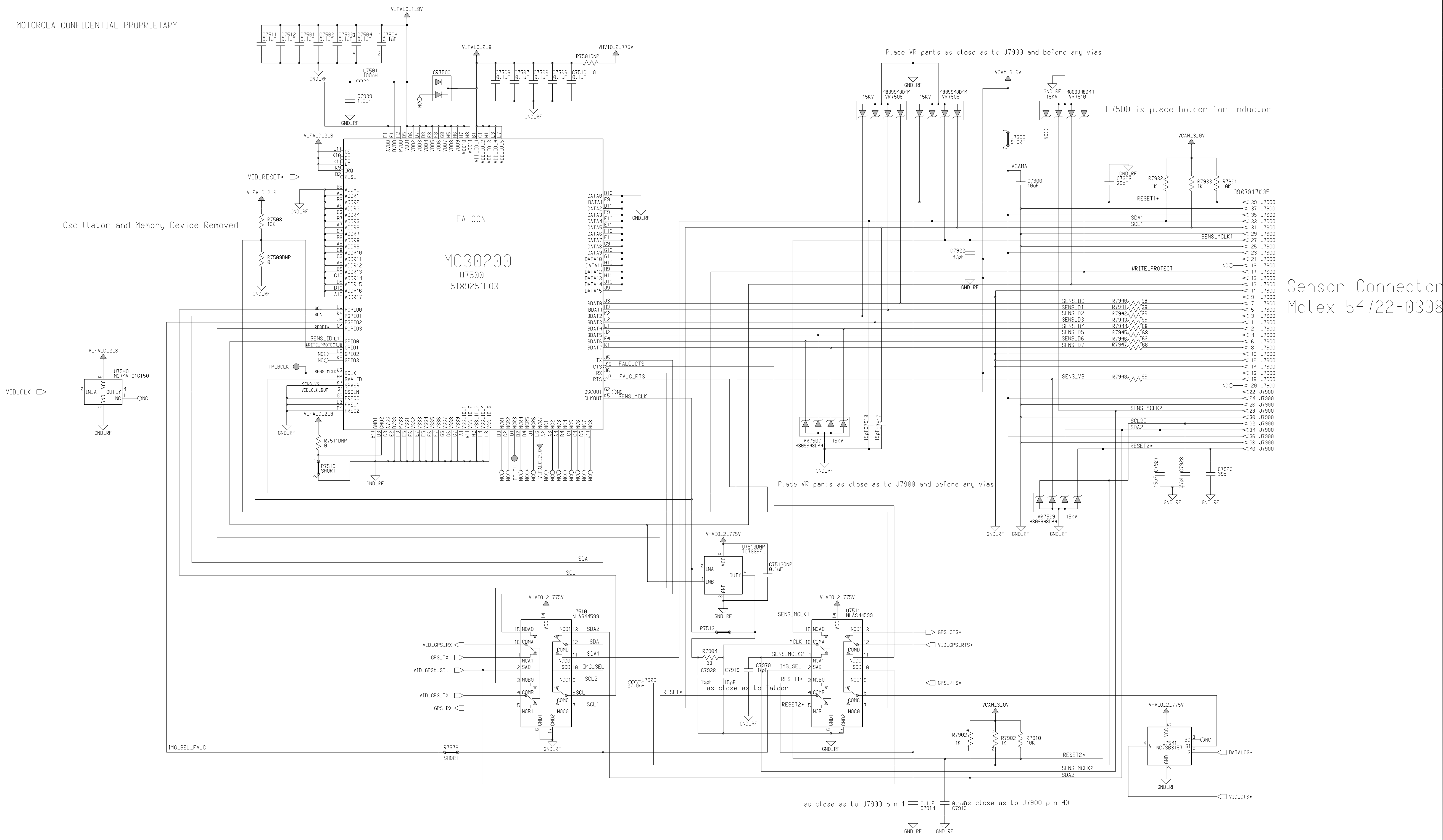
Engineer: Ed Nadeo			
Drawn by: Ed Nadeo			
R&D CHK:	TITLE: Talon Integrated 4Mx16 SDRAM	Size: 11x17	
DOC CTRL CHK:			
MFG CTRL CHK:			
QA CHK:	REV: 1.0	Drawing Number: 8488888x88	Page: 1 Of: 1
Changed by: wlen01	Date: Friday, March 1, 2002	Time: 3:37:06 pm	



MOTOROLA CONFIDENTIAL PROPRIETARY

Engineer: Jennifer Seymour	MOTOROLA INC.	
Drawn By: Jennifer Seymour	TITLE: TALON Integrated Falcon Camera	
R&D CHK:	Size:	
DOC CTRL CHK:		
MFG CTRL CHK:		
QA CHK:	REV: Drawing Number: Page: Df:	
Changed by: Jennifer Seymour	Date: Friday, November 9, 2001	Time: 10:21:35 am

A
B
C
D
E



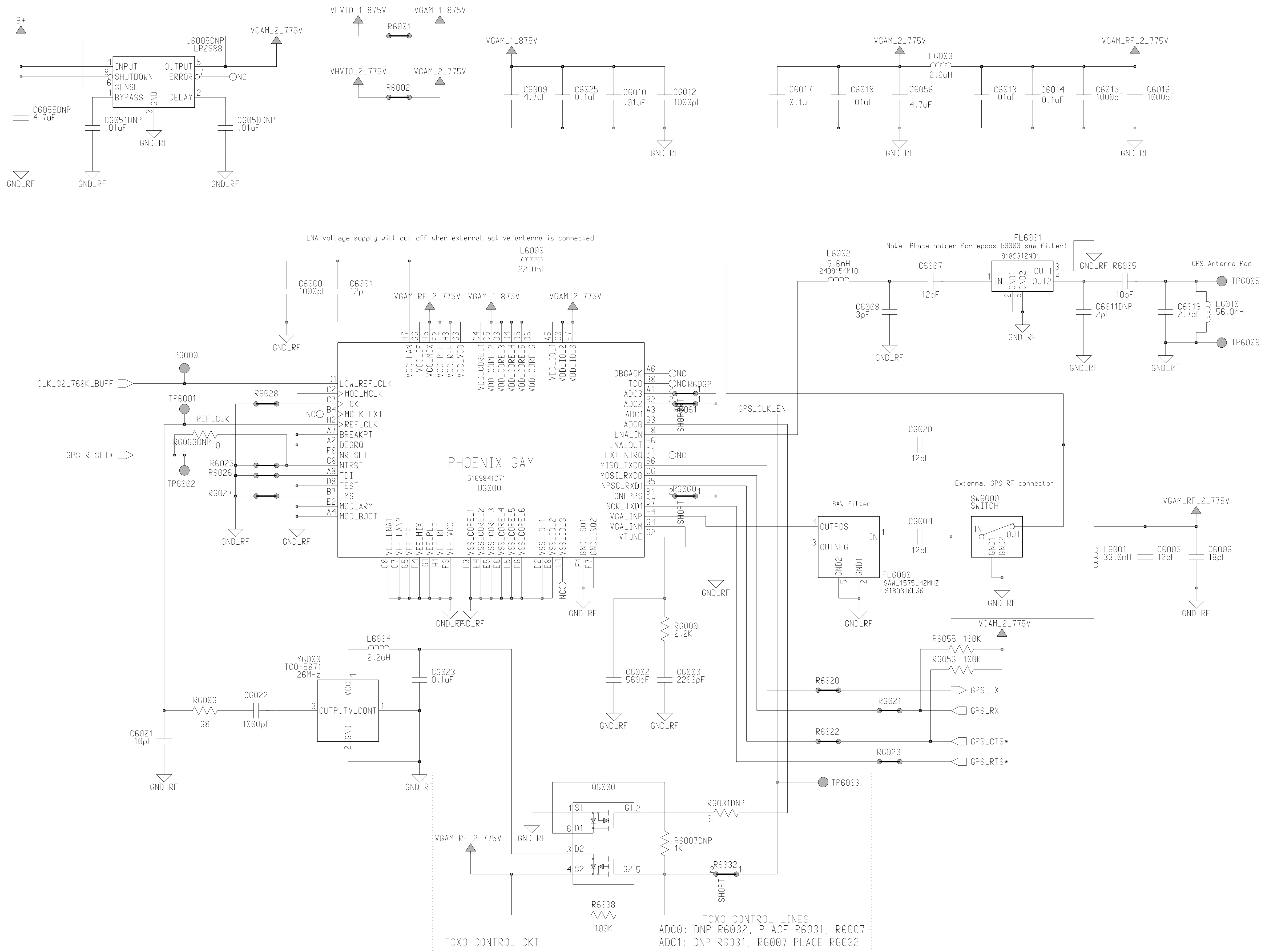
Engineer:
Danny Ng
 Drawn by:
Danny Ng
 R&D CHK:
 DOC CTRL CHK:
 MFG CTRL CHK:
 QA CHK:
 Changed by:
W15660



TITLE: GAM GPS BLOCK for E1000
 Size: 11x17

REV: 0.2
 Drawing Number:
 Page: 1
 Of: 1

Date: Monday, August 18, 2003
 Time: 3:17:11 pm



Engineer:
Ed Naddeo

Drawn by:
Ed Naddeo

R&D CHK:

DOC CTRL CHK:

MFG CTRL CHK:

QA CHK:

Changed by:
wlen01

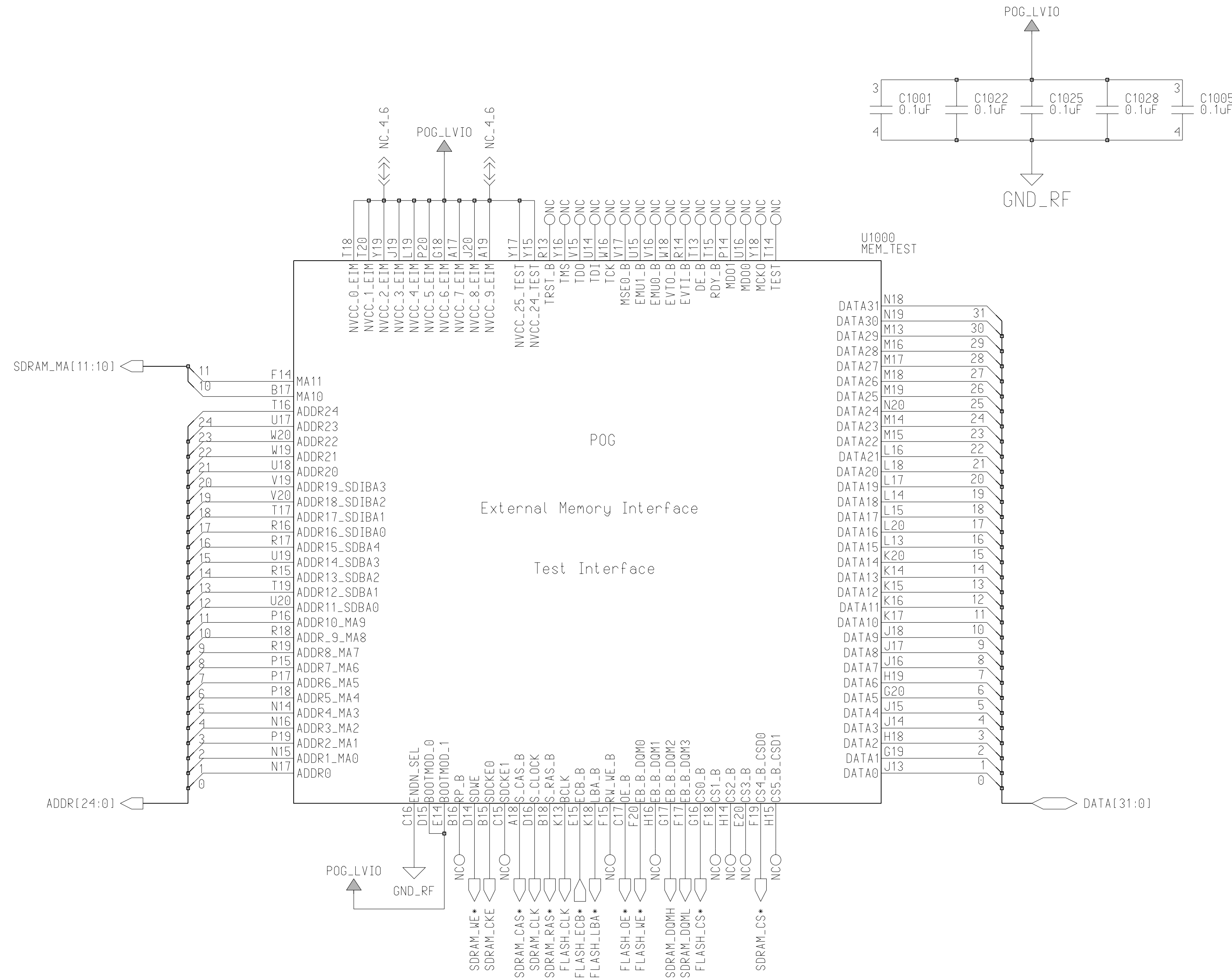


TITLE: Talon Integrated POG
Memory and Test Interface

Size: 11x17

REV: 1.0 Drawing Number: 8488888x88 Page: 3 Of: 4

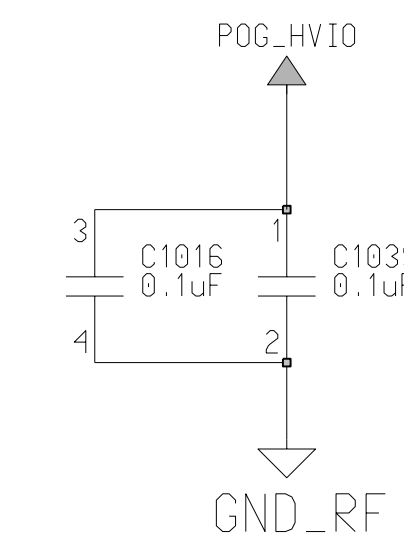
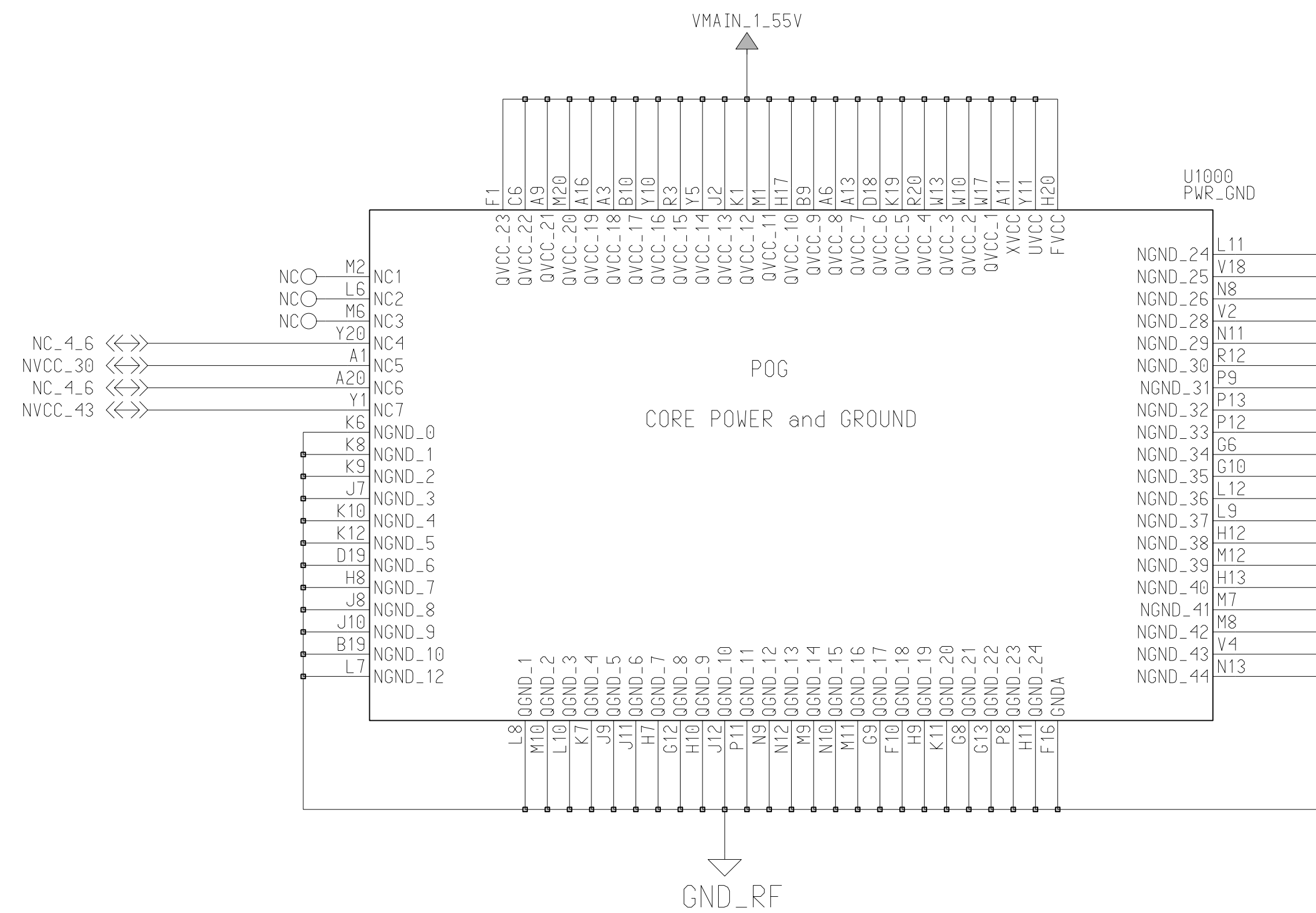
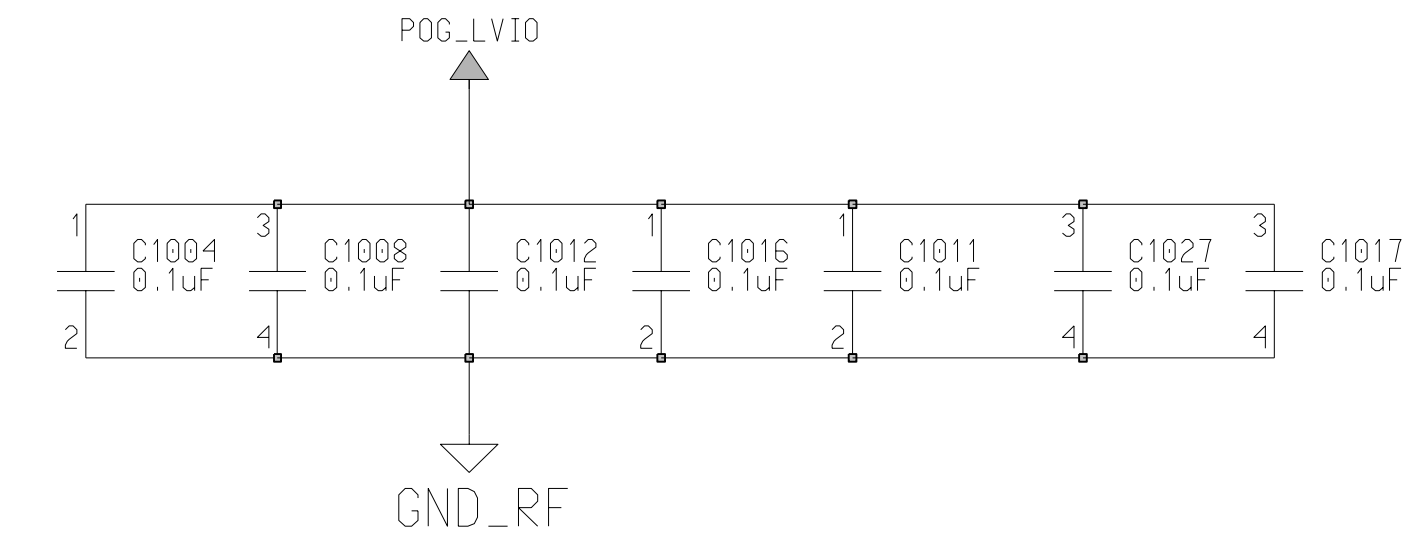
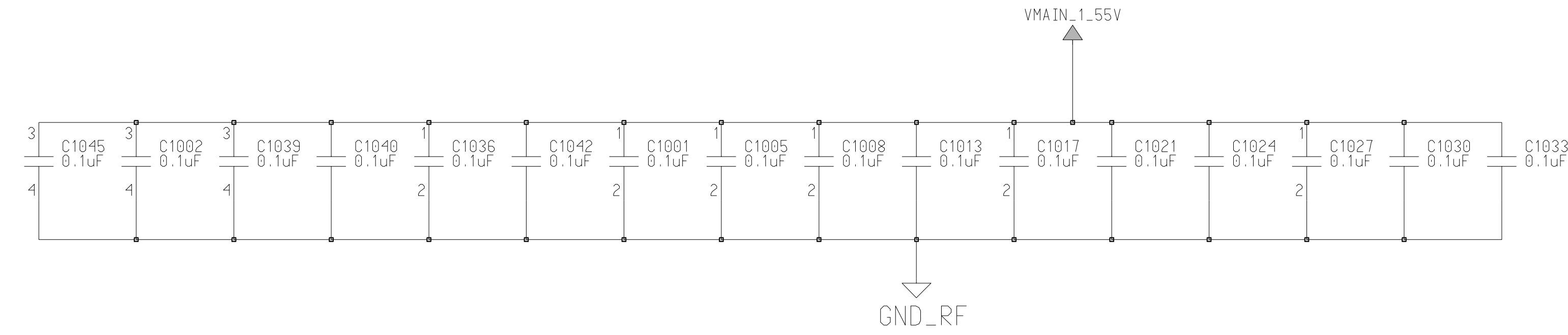
Date: Tuesday, February 26, 2002 Time: 6:15:09 pm



MOTOROLA CONFIDENTIAL PROPRIETARY

4 1 3 A

Engineer: Ed Naddeo			
Drawn by: Ed Naddeo			
R&D CHK:	TITLE: Talon Integrated	Size: 11x17	
DOC CTRL CHK:	POG		
MFG CTRL CHK:	Power		
QA CHK:	REV: 1	Drawing Number: 8488888x88	Page: 1
			Of: 4
Changed by: wlen01	Date: Tuesday, February 26, 2002	Time: 2:56:17 pm	




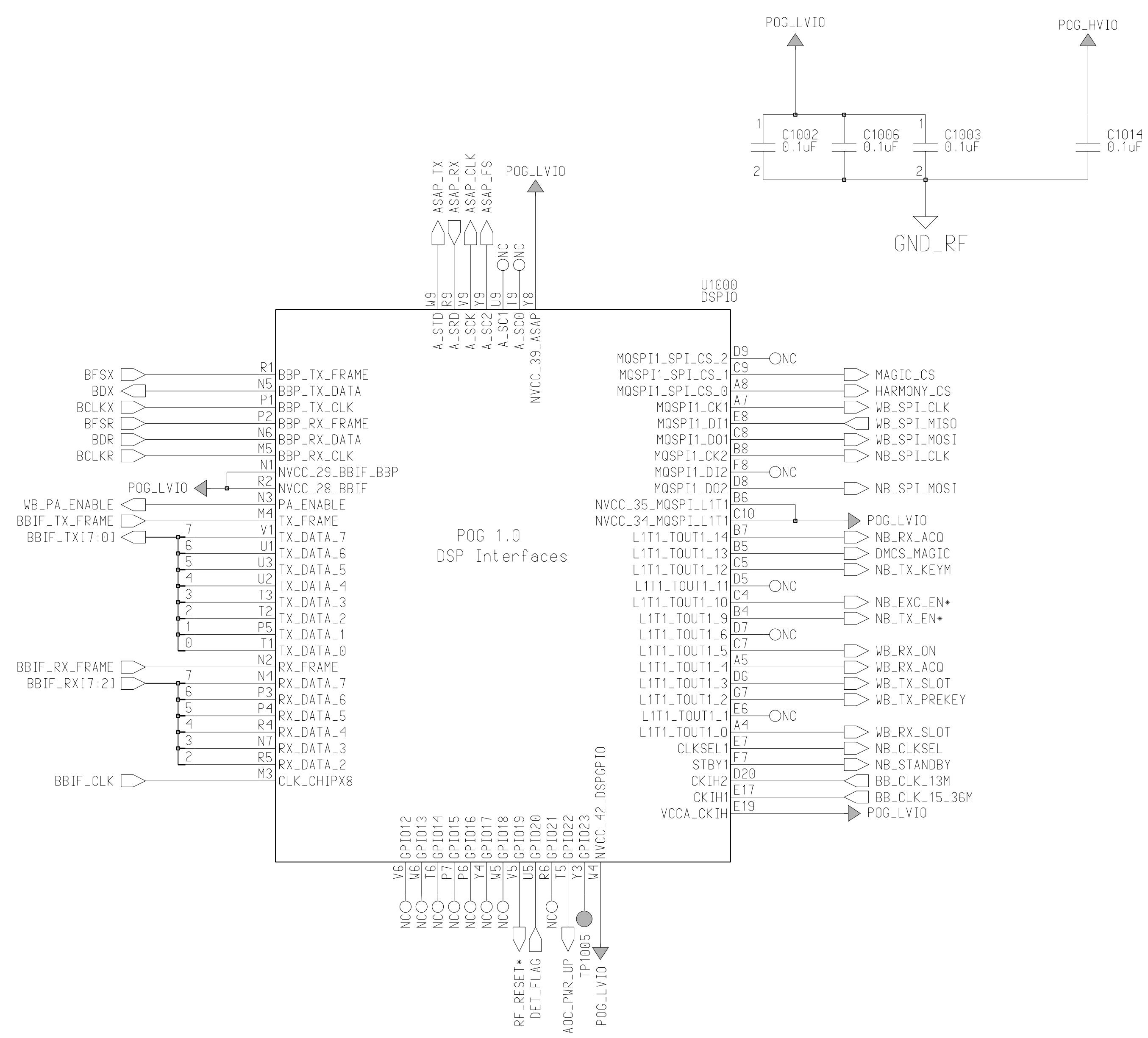
A


B

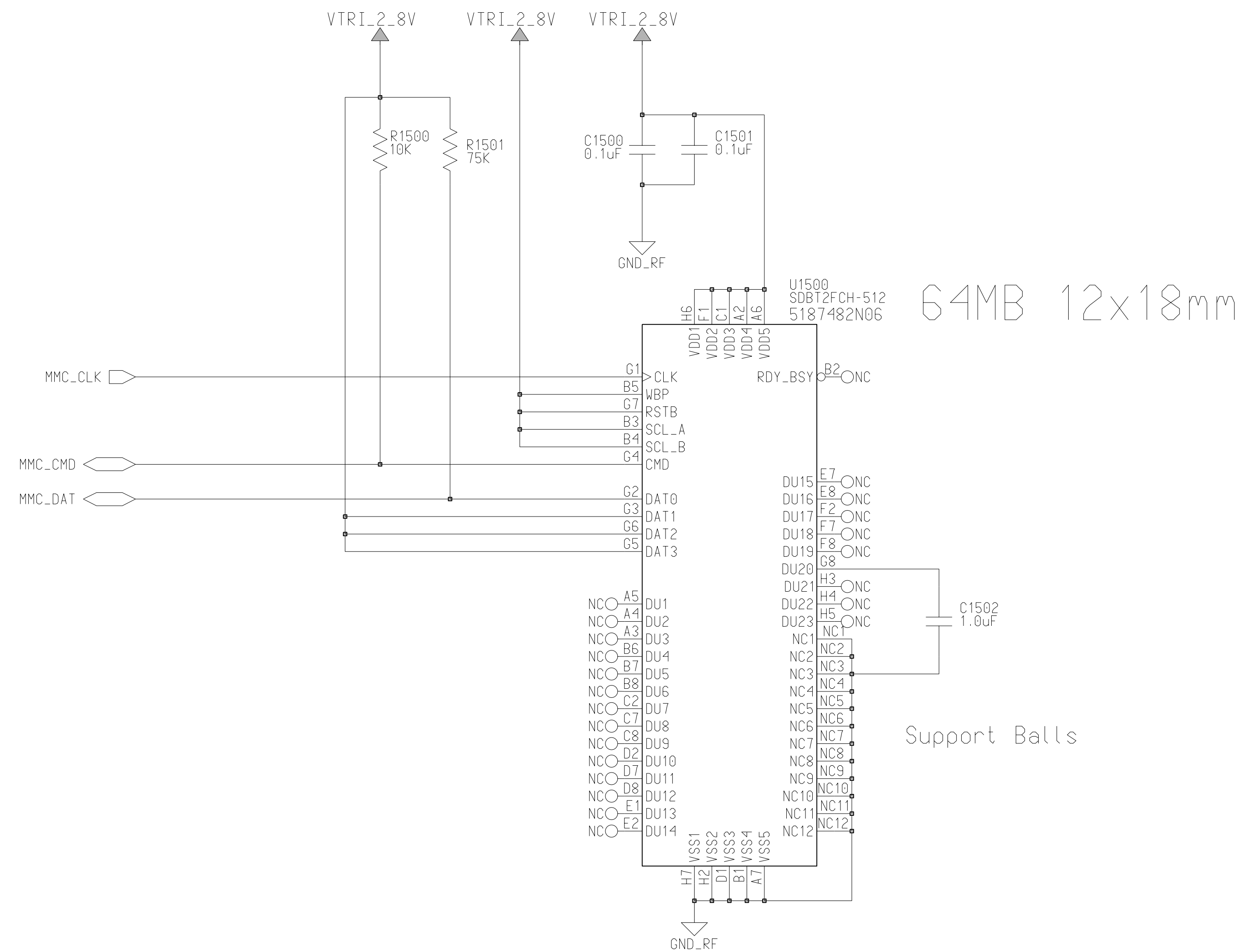
C

D

Engineer: Ed Nadeo				
Drawn by: Ed Nadeo				
R&D CHK:	TITLE: Talon Integrated POG	Size: 11x17		
DOC CTRL CHK:	MFG CTRL CHK: DSP Interface			
QA CHK:	REV: 1.0	Drawing Number: 8488888x88	Page: 4	Of: 4
Changed by: wlen01	Date: Tuesday, February 26, 2002	Time: 6:16:44 pm		



Engineer: Ed Nadeo			
Drawn by: Ed Nadeo			
R&D CHK:	TITLE: Talon Integrated	Size: 11x17	
DOC CTRL CHK:	Embedded SD Flash		
MFG CTRL CHK:			
QA CHK:	REV: 1.0	Drawing Number: 84888888x88	Page: 1
Of: 1	Date: Friday, May 3, 2002		Time: 1:25:03 pm
Changed by: Chris Pipe			



A

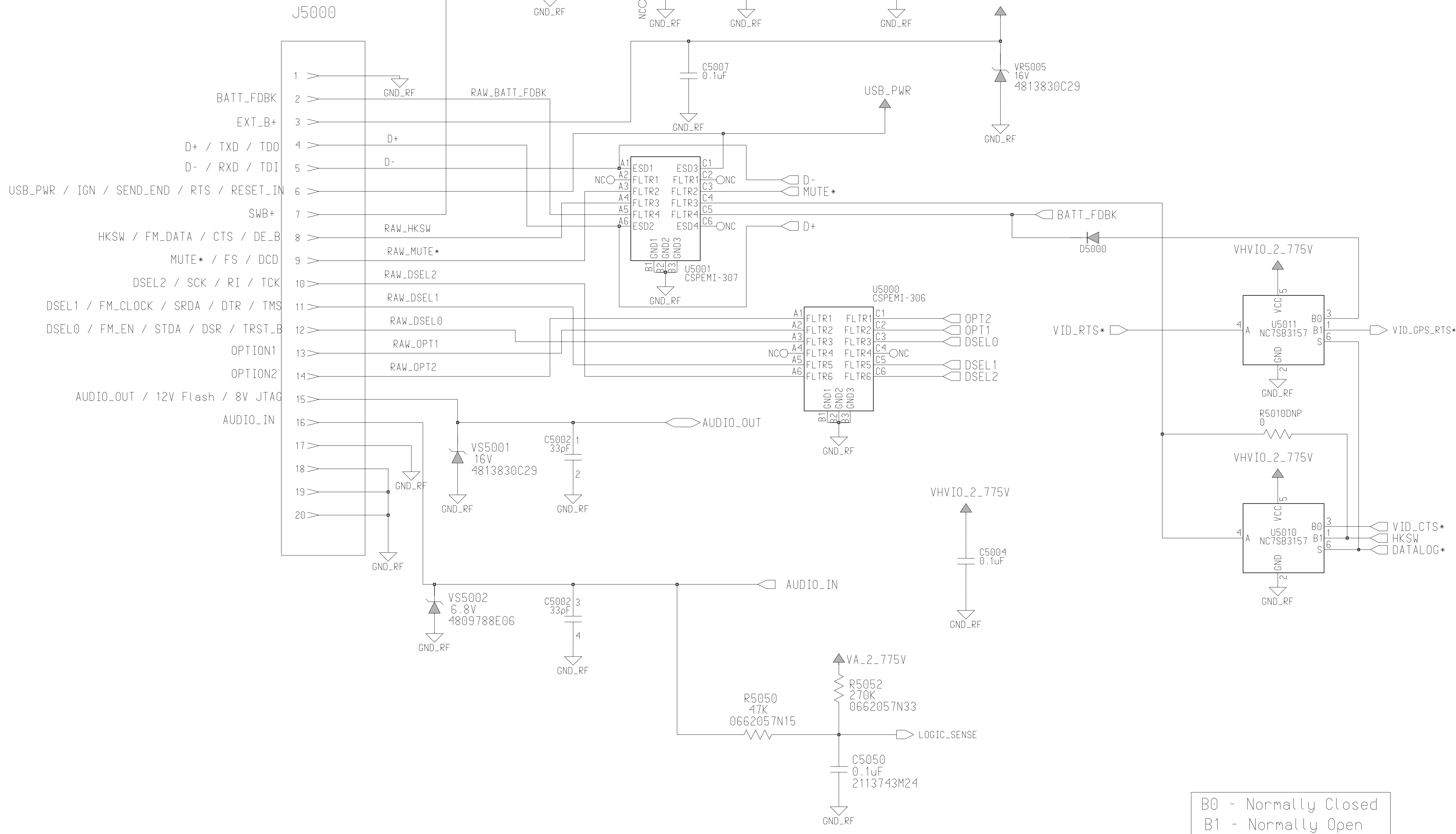
B

C

D

MOTOROLA CONFIDENTIAL PROPRIETARY

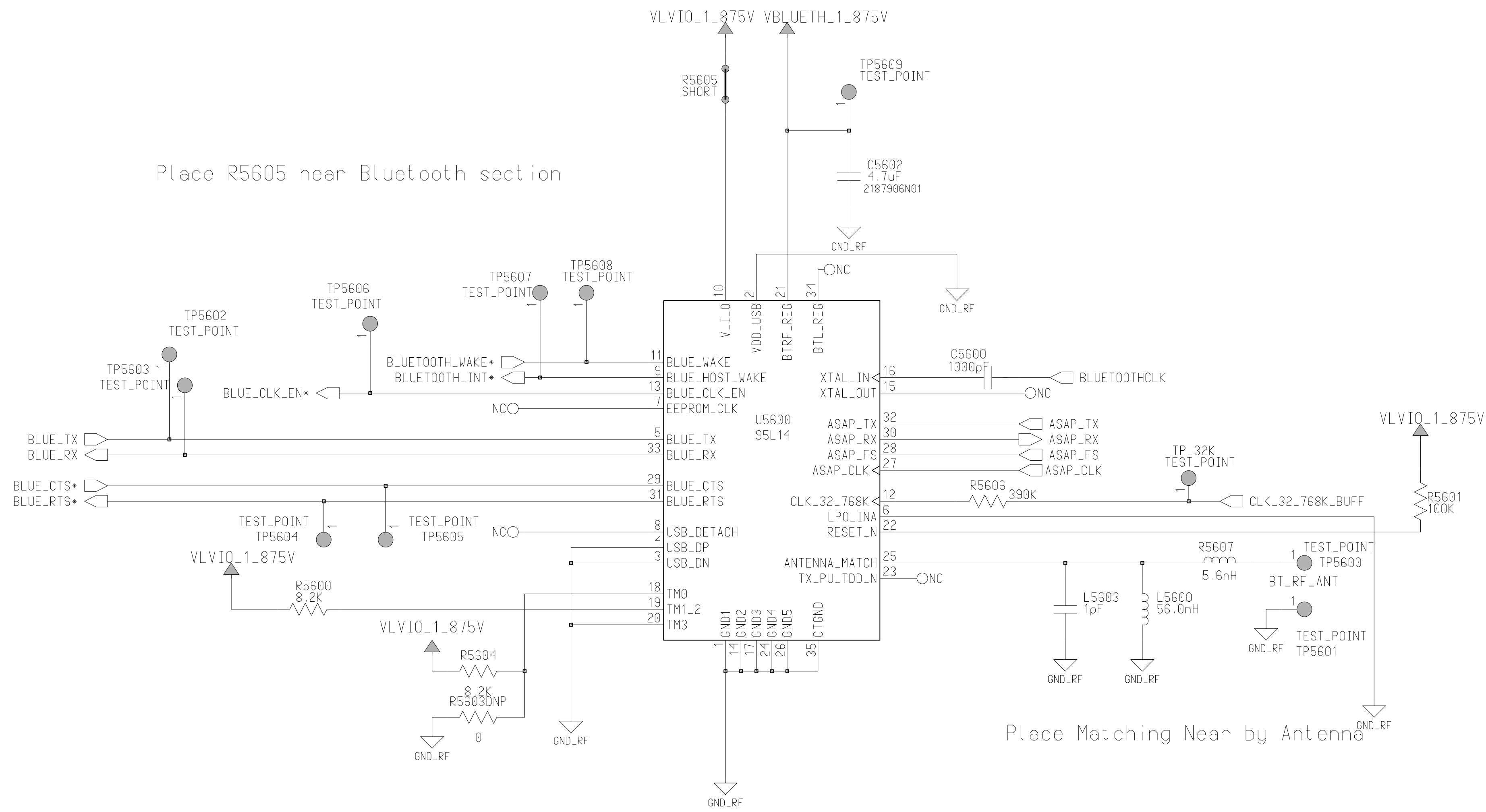
Accessory Connector
CE Connector (0987636K05)

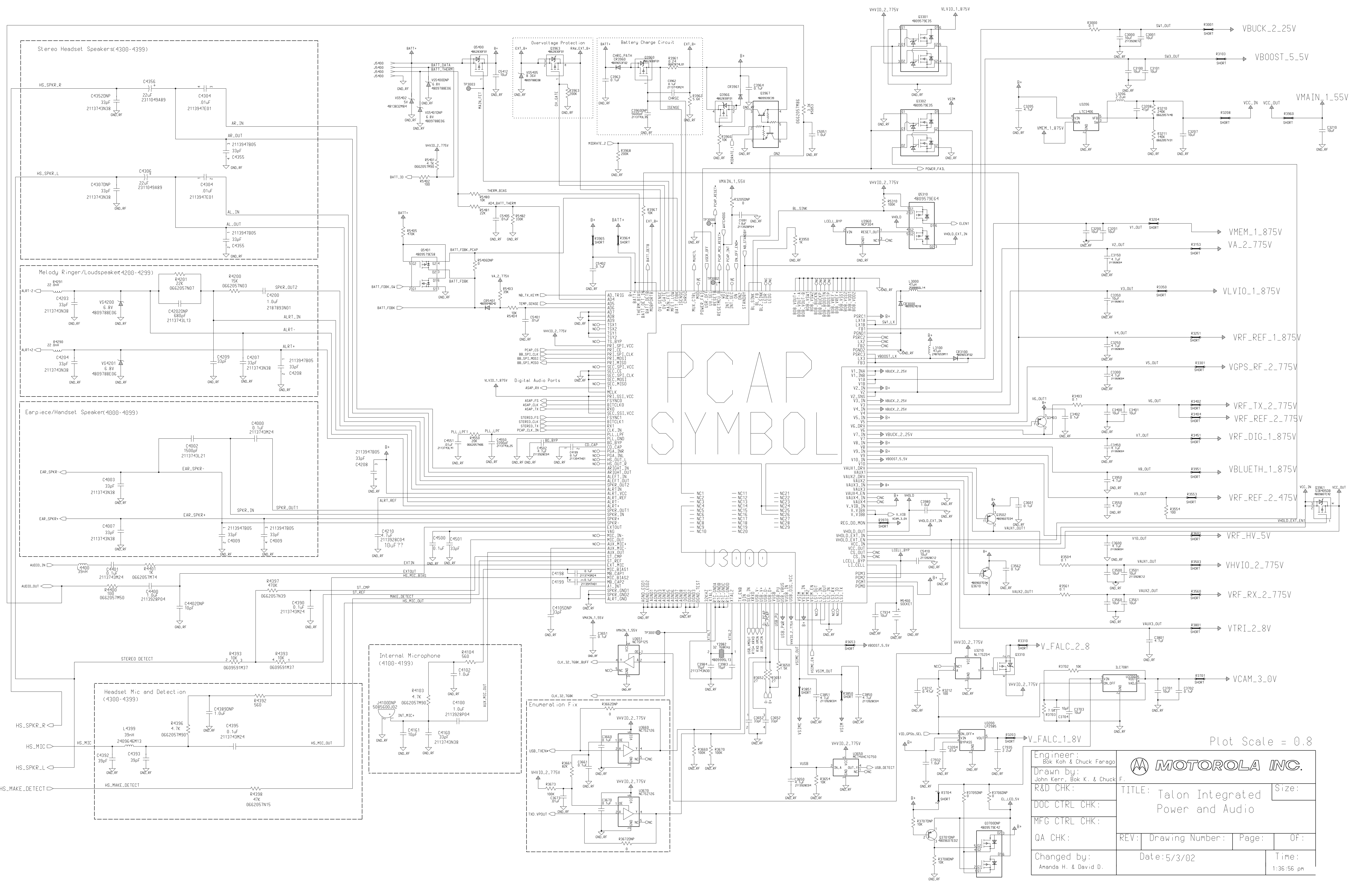


B0 - Normally Closed
B1 - Normally Open
S - Select
A - Common

Engineer: Jennifer Seymour			
Drawn by:			
R&D CHK:	TITLE: TALON Integrated	Size:	
DOC CTRL CHK:	CE Accessory Connector		
MFG CTRL CHK:	REV:	Drawing Number:	Page: Of:
QA CHK:	Date: 4/3/02	Time:	
Changed by: Ed Naddeo			

Engineer: Dave Stubbs	MOTOROLA INC.		
Drawn by:	TITLE:	Size:	
R&D CHK:	TALON Integrated Bluetooth		
DOC CTRL CHK:	REV:	Drawing Number:	Page: Of:
MFG CTRL CHK:			
QA CHK:			
Changed by: Dave Suarez	Date: February 24, 2003	Time:	





Plot Scale = 0.8

Engineer: Bok Koh & Chuck Farago			
Drawn by: John Kerr, Bok K. & Chuck F.			
R&D CHK:	TITLE: Talon Integrated Power and Audio	Size:	
DOC CTRL CHK:	REV: Drawing Number:	Page:	Of:
MFG CTRL CHK:	QA CHK:	Date: 5/3/02	Time: 1:36:56 pm
Changed by: Amanda H. & David D.			