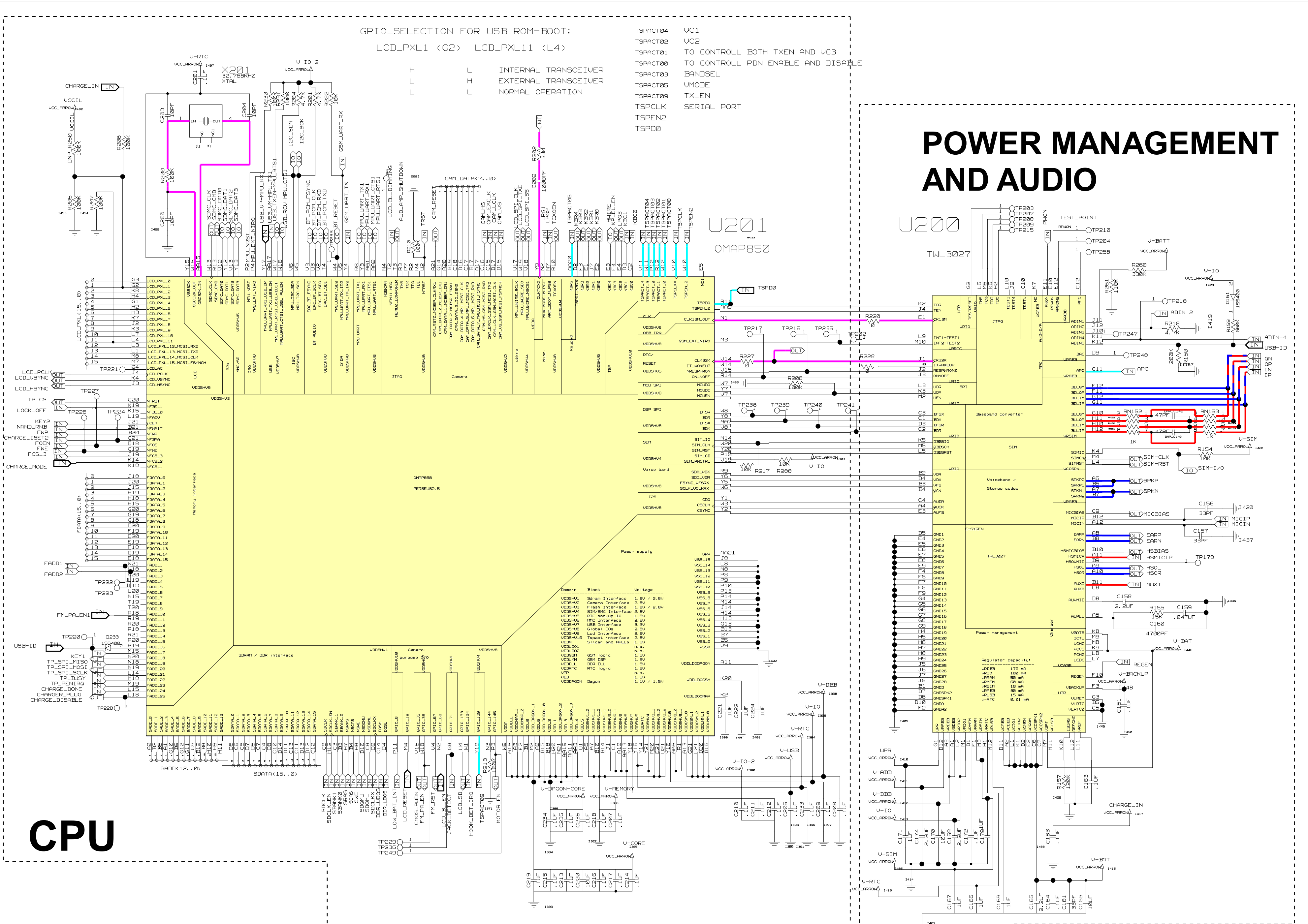


MOTOROLA A810 SMARTPHONE PLATFORM VERSION P5.0B

TABLE OF CONTENT

P.01	COVER PAGE
P.02	BASEBAND CHIPSET
P.03	MEMORY AND POWER
P.04	BLUETOOTH AND FM RADIO
P.05	CHARGE AND T-FLASH AND SIM
P.06	UI AND CONNECTORS
P.07	AUDIO AND VIBRATOR
P.08	RF
P.09	TEST AND DEBUG
P.10	FPC

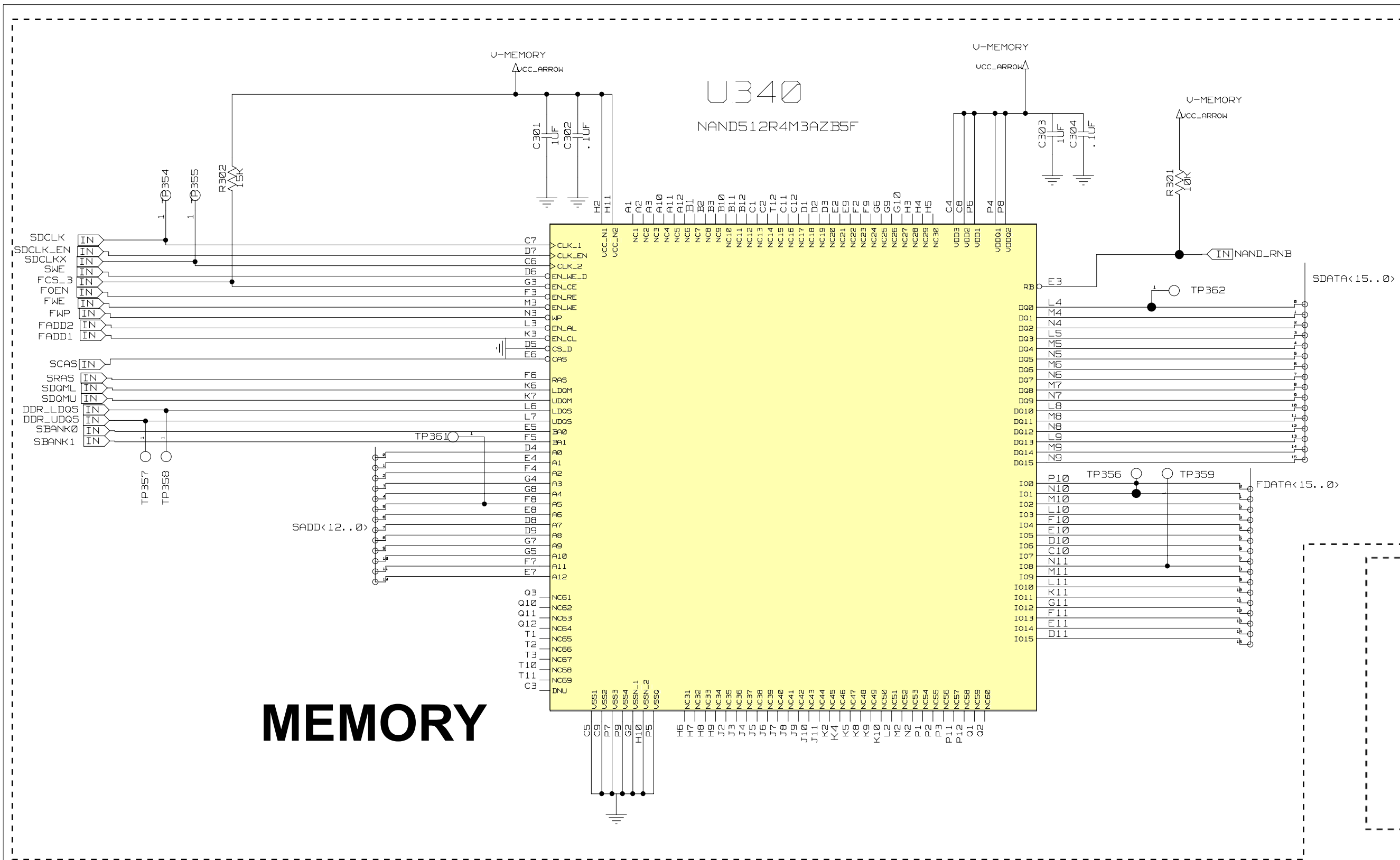


CPU

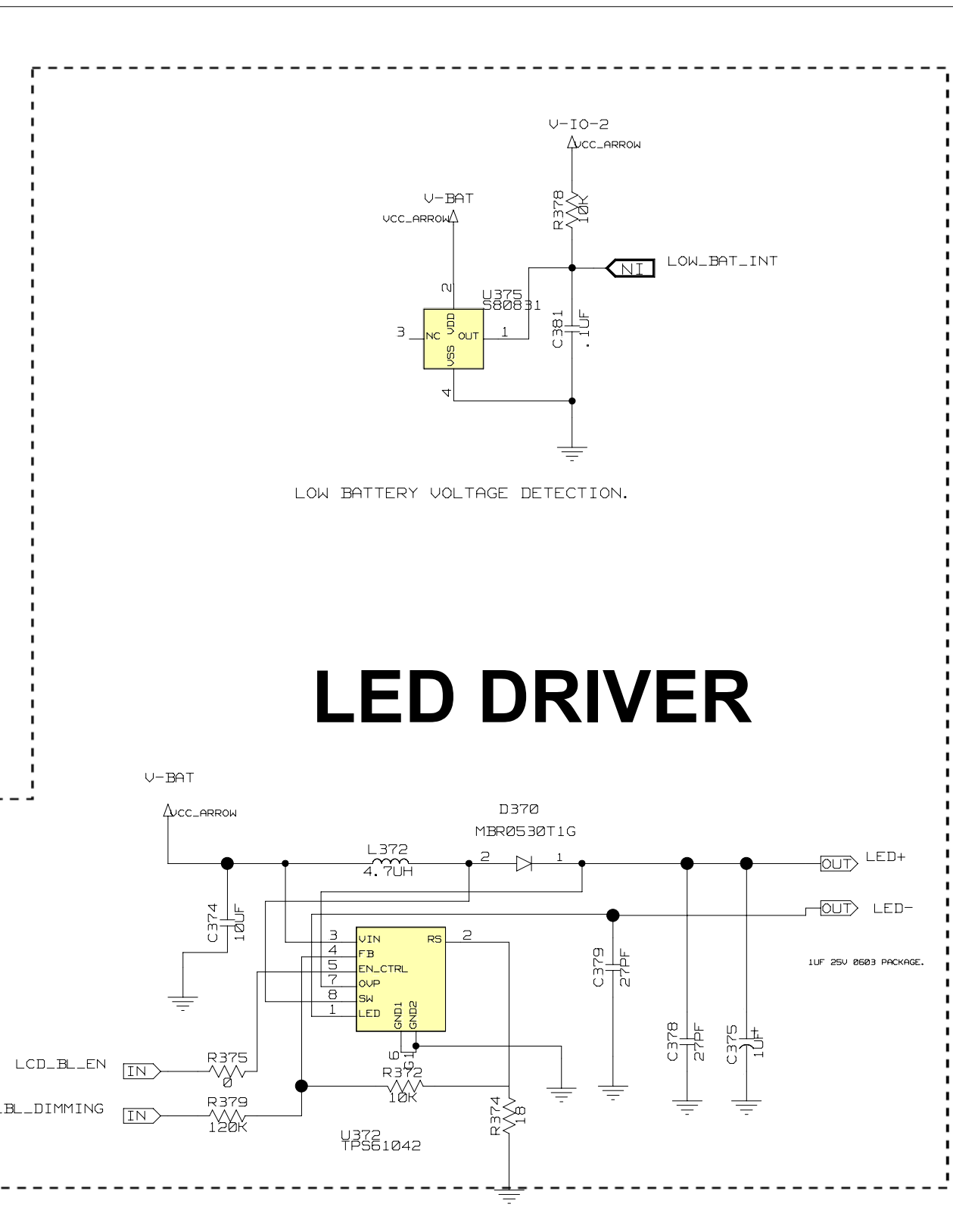
POWER MANAGEMENT AND AUDIO

GPIO_SELECTION FOR USB ROM-BOOT:
 LCD_PXL1 (G2) LCD_PXL11 (L4)
 L I INTERNAL TRANSCEIVER
 L I EXTERNAL TRANSCEIVER
 L L NORMAL OPERATION

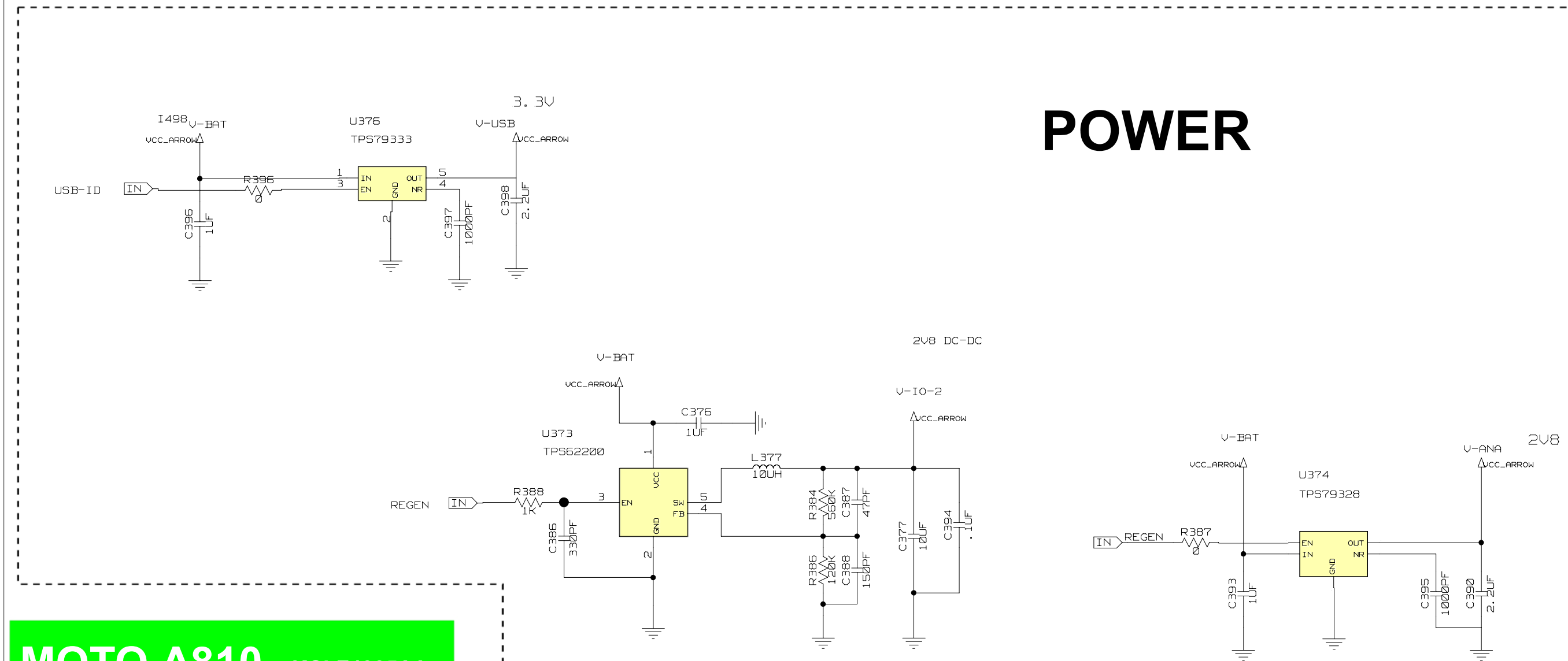
TSPACT04 VC1
 TSPACT02 VC2
 TSPACT01 TO CONTROLL BOTH TXEN AND VC3
 TSPACT00 TO CONTROLL PDN ENABLE AND DISABLE
 TSPACT03 BANDSEL
 TSPACT05 UMODE
 TSPACT09 TX_EN
 TSPCLK SERIAL PORT
 TSPEN2
 TSPD0



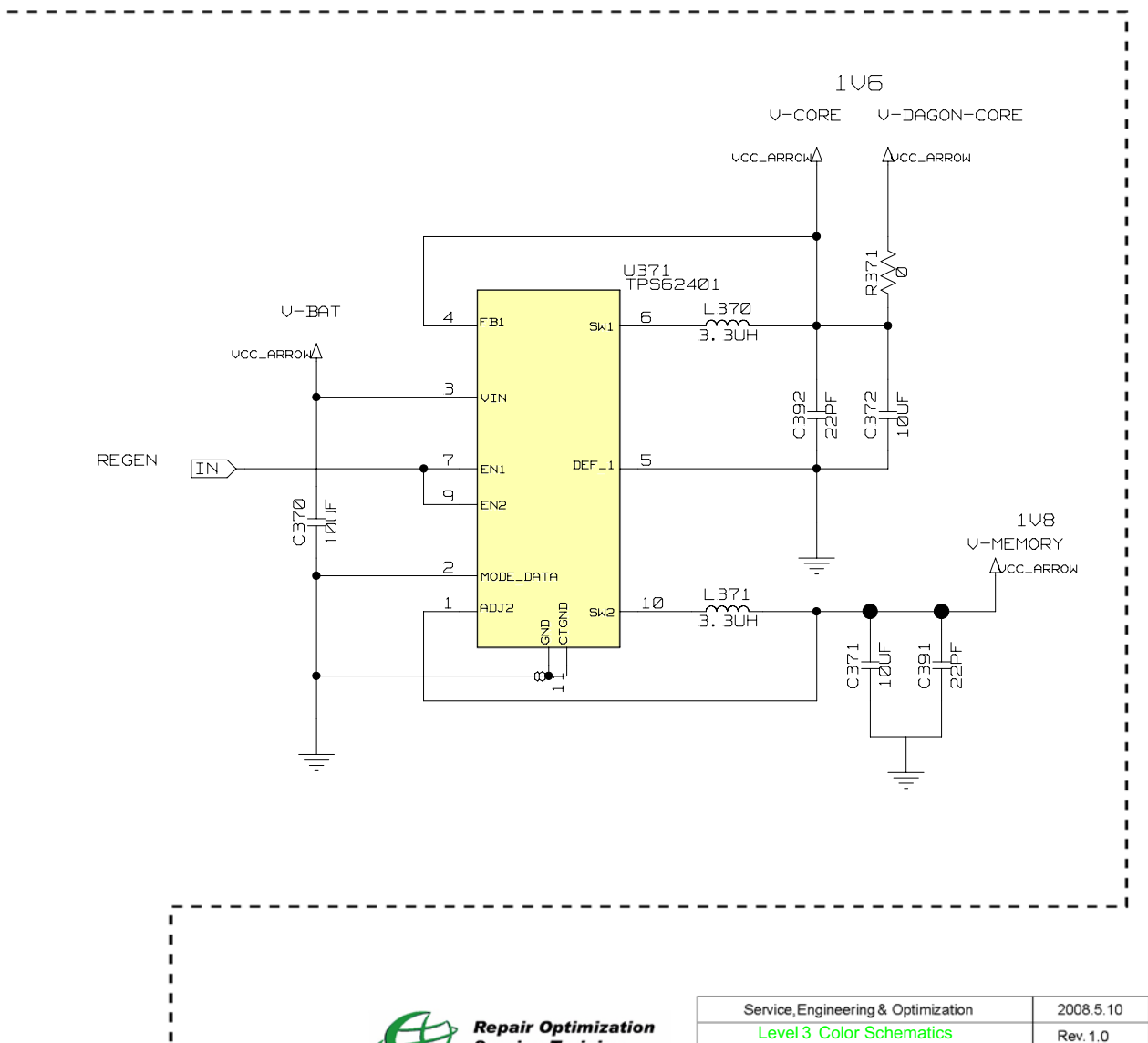
MEMORY



LED DRIVER

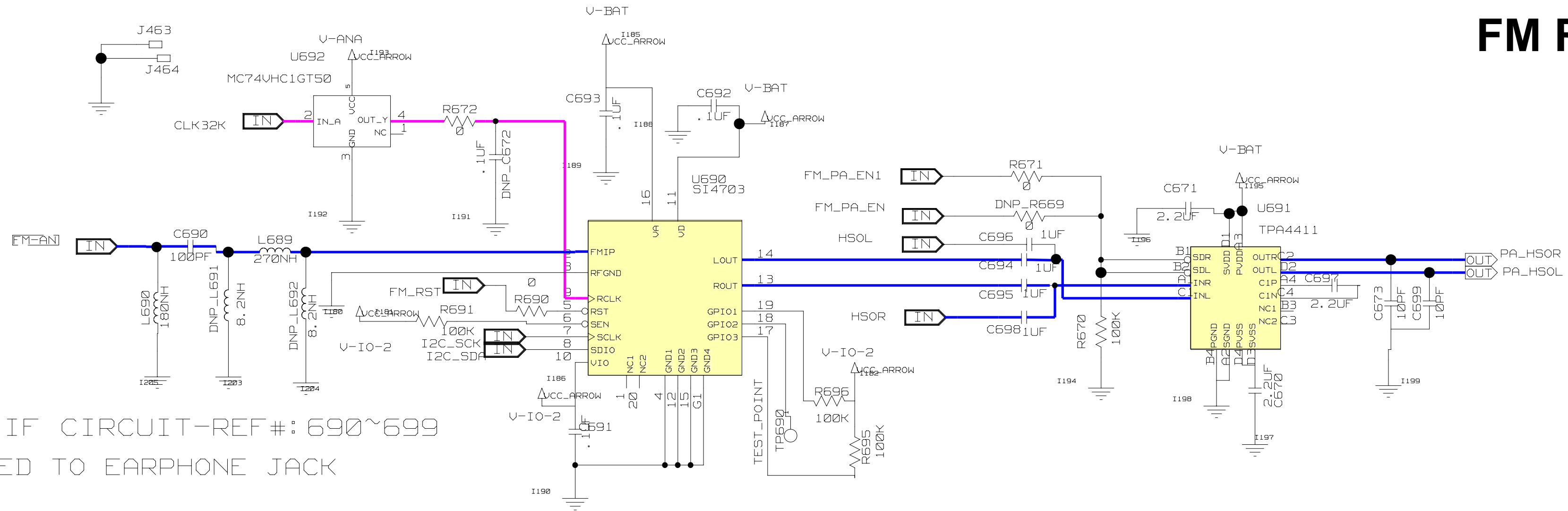


POWER



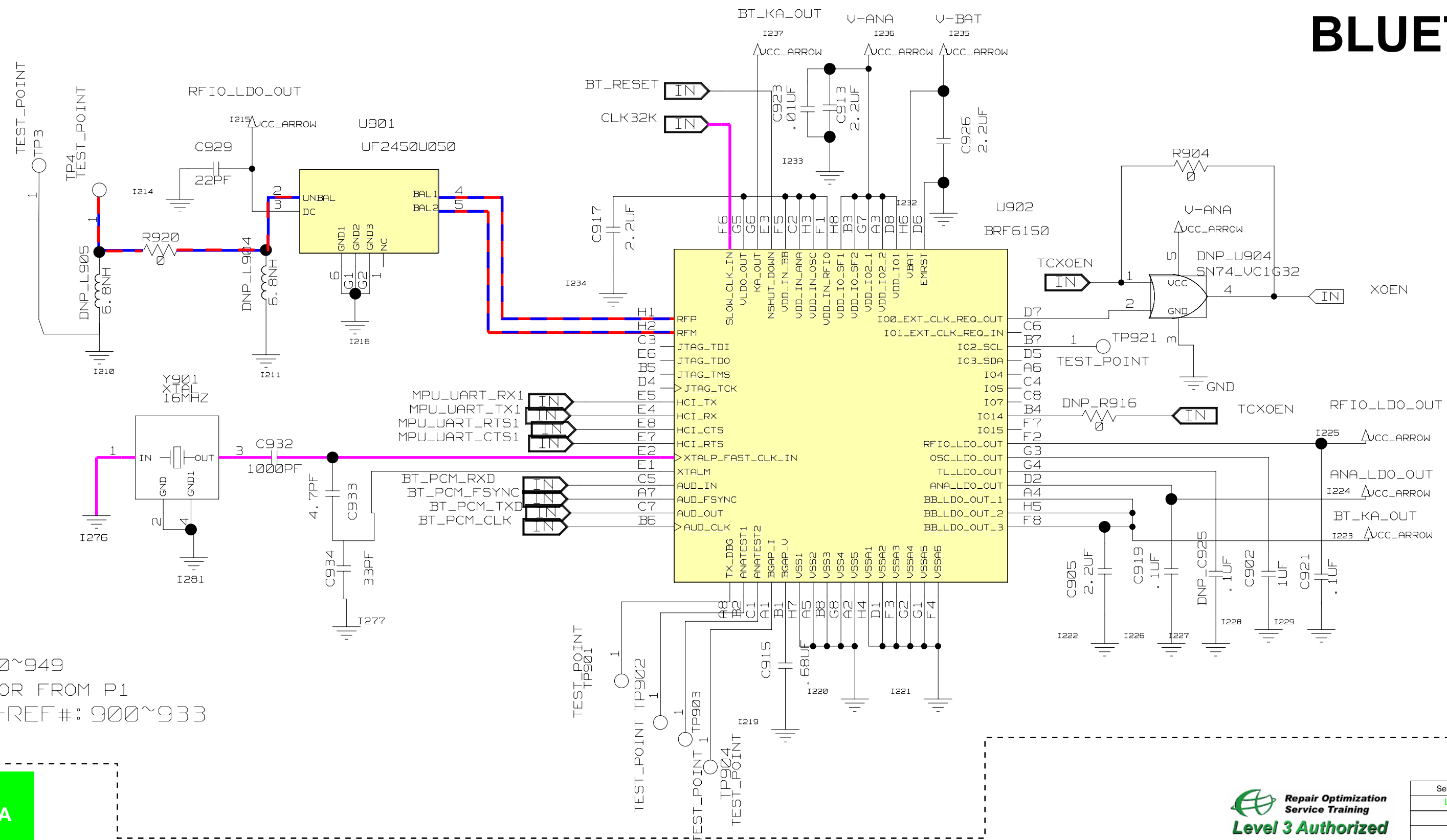
MOTO A810_KCLF4005AA

FM RADIO



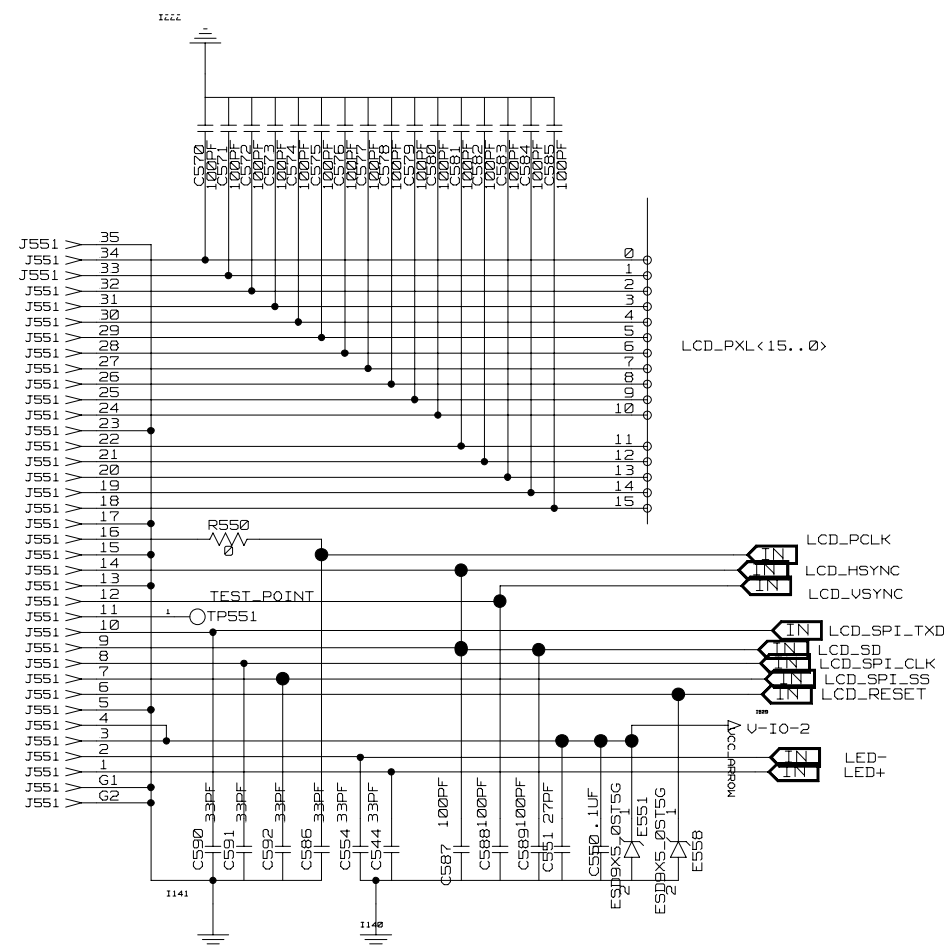
GER IF CIRCUIT-REF#: 690~699
CLOSED TO EARPHONE JACK

BLUETOOTH

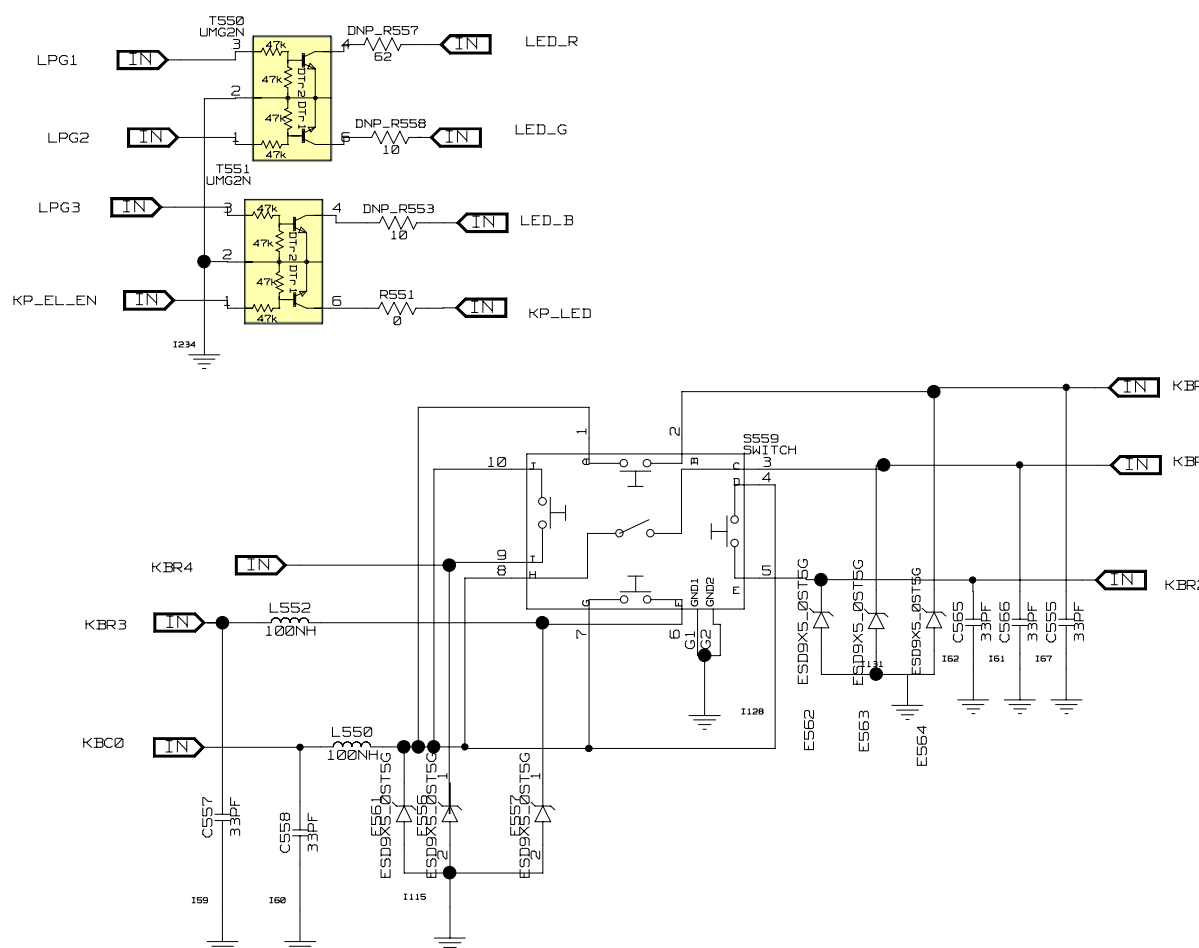


BT MODULE-REF#: 900~949
REMOVE 00HM RESISTOR FROM P1
GER IF CIRCUIT-REF#: 900~933

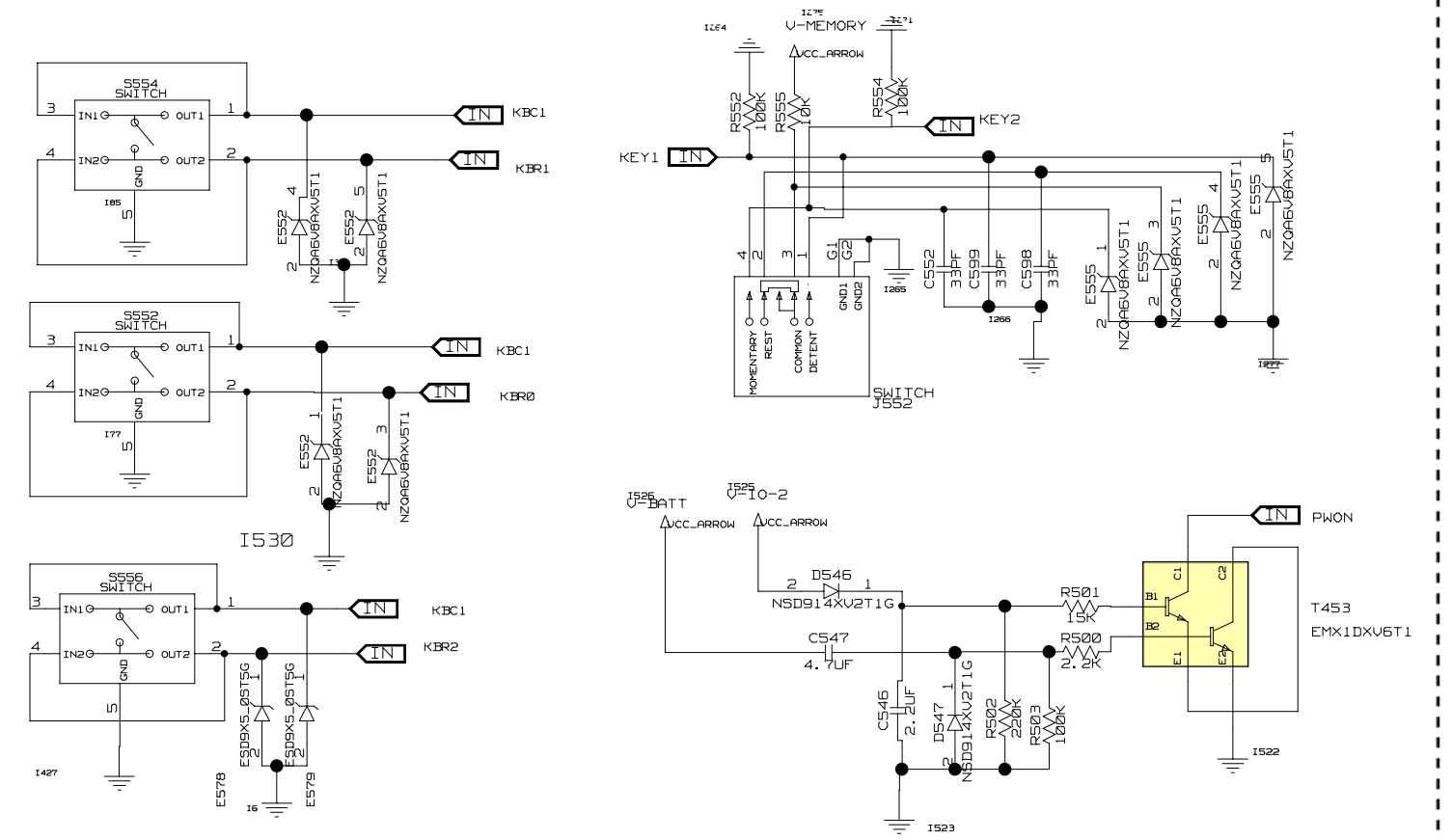
LCD CON



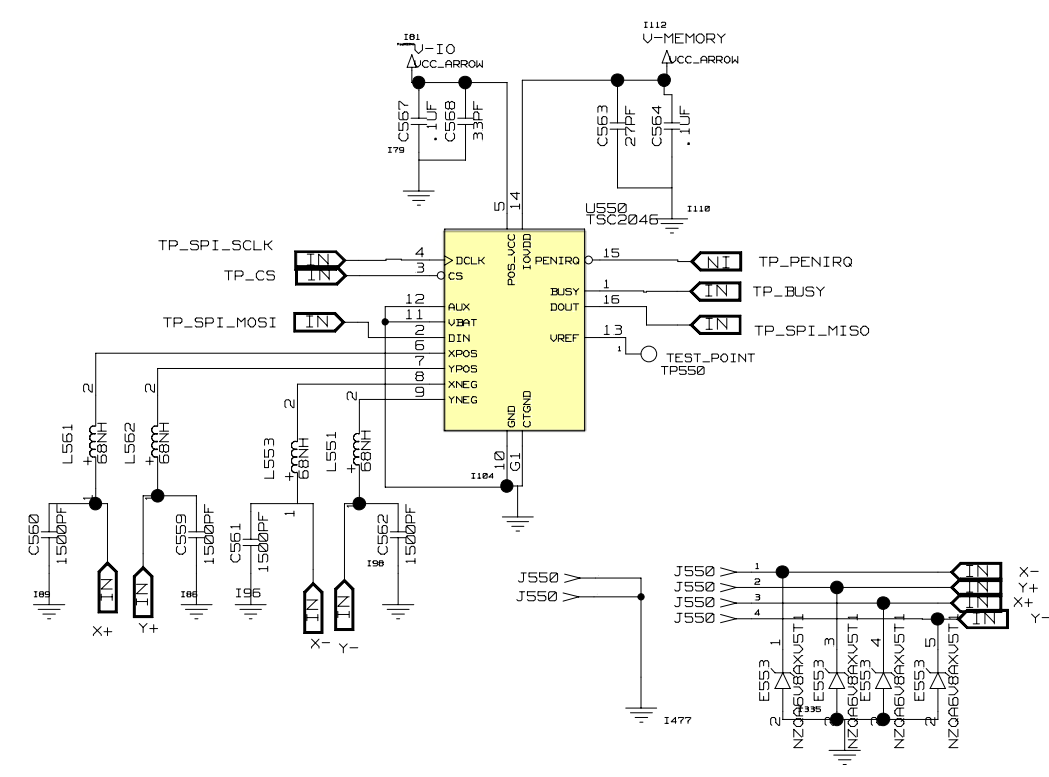
JOYSTICK



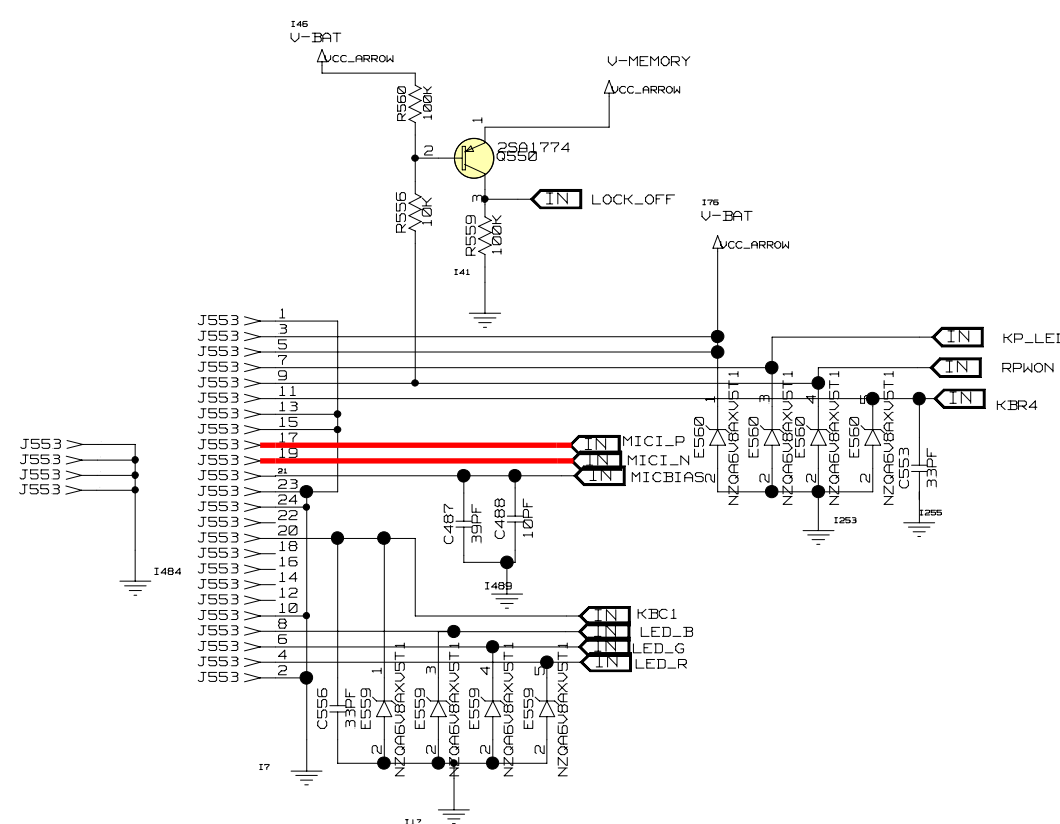
KEY BOARD



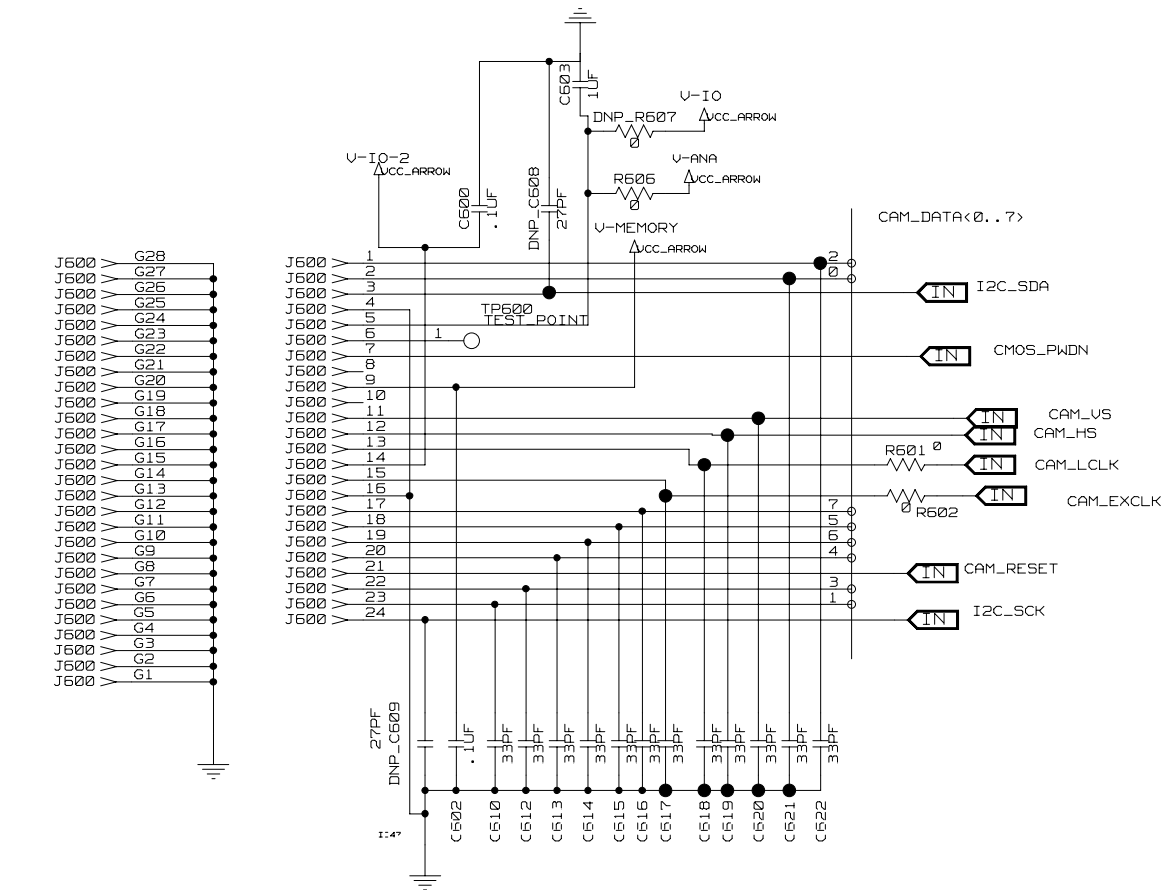
TOUCH PANEL



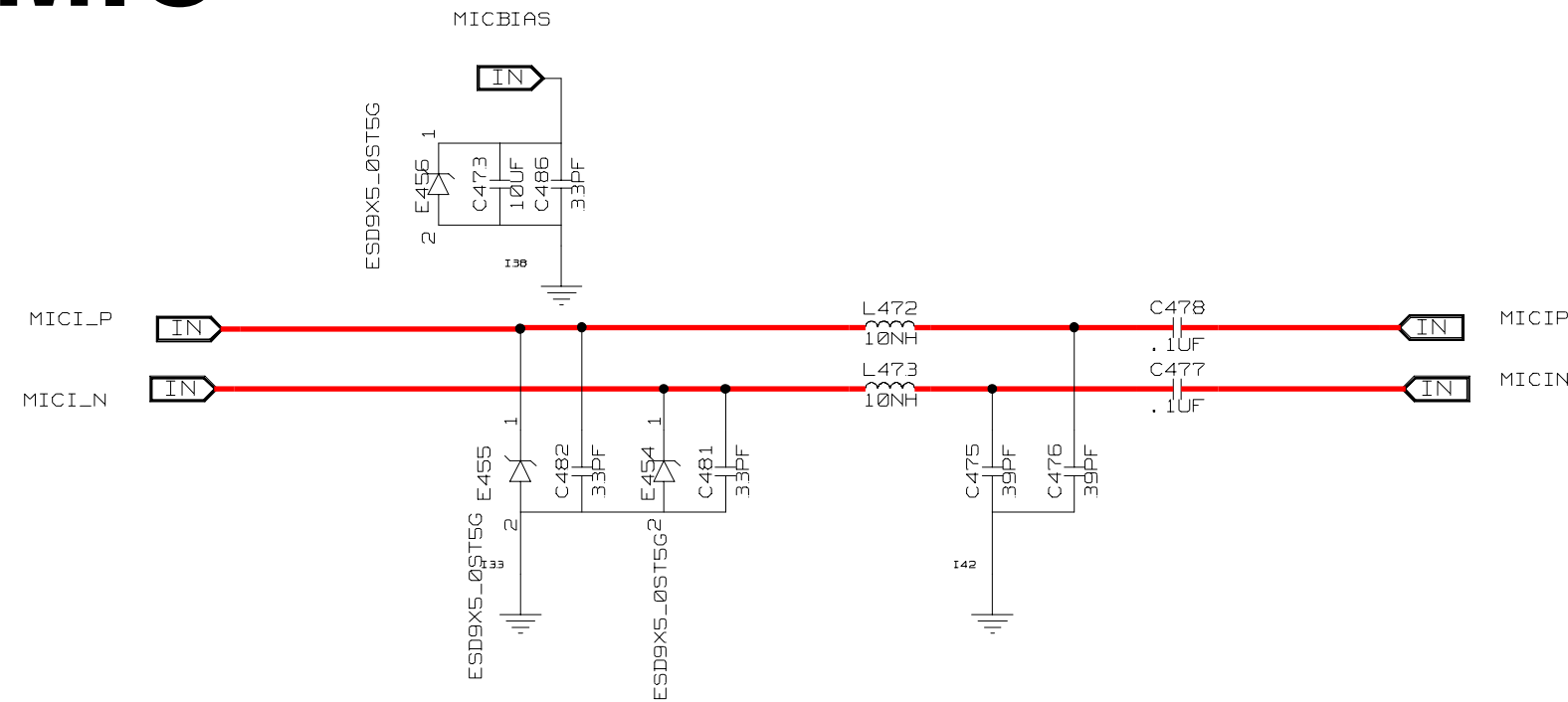
FPC CON



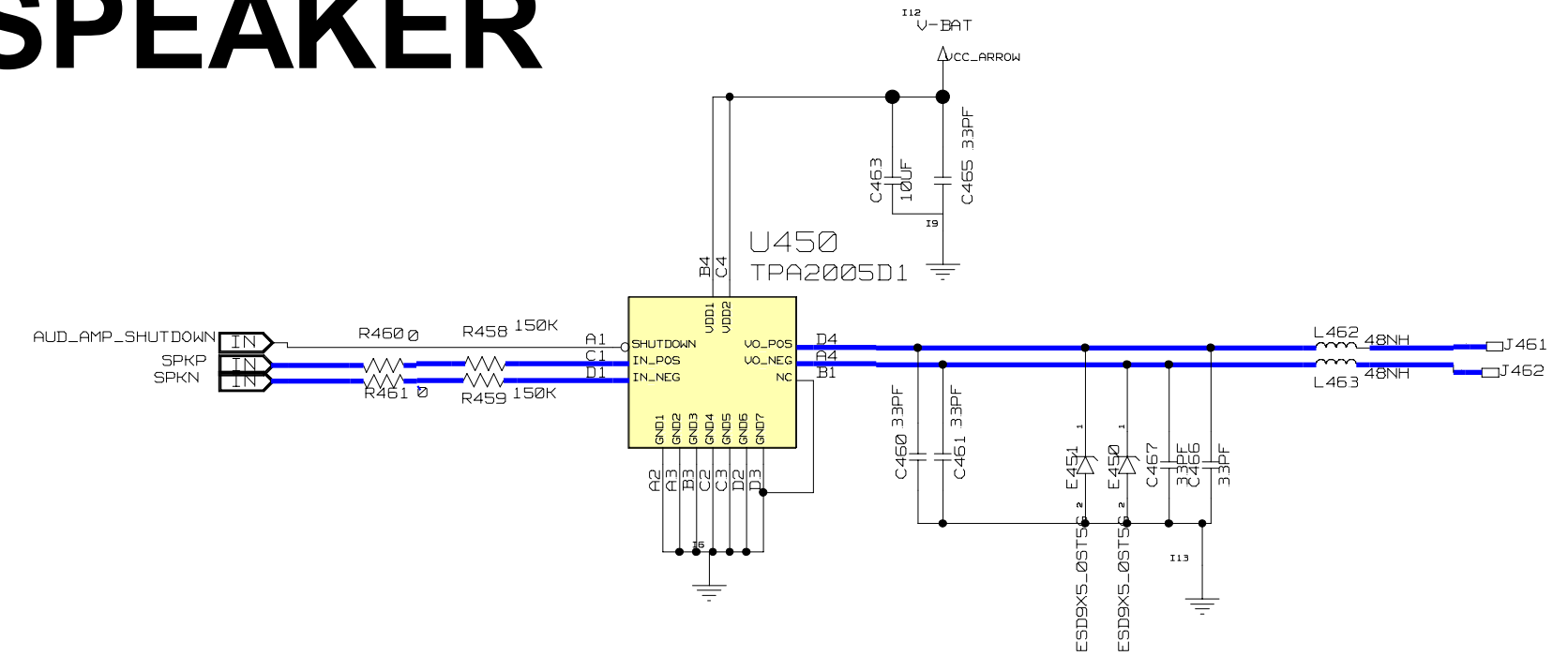
CAMERA I/F



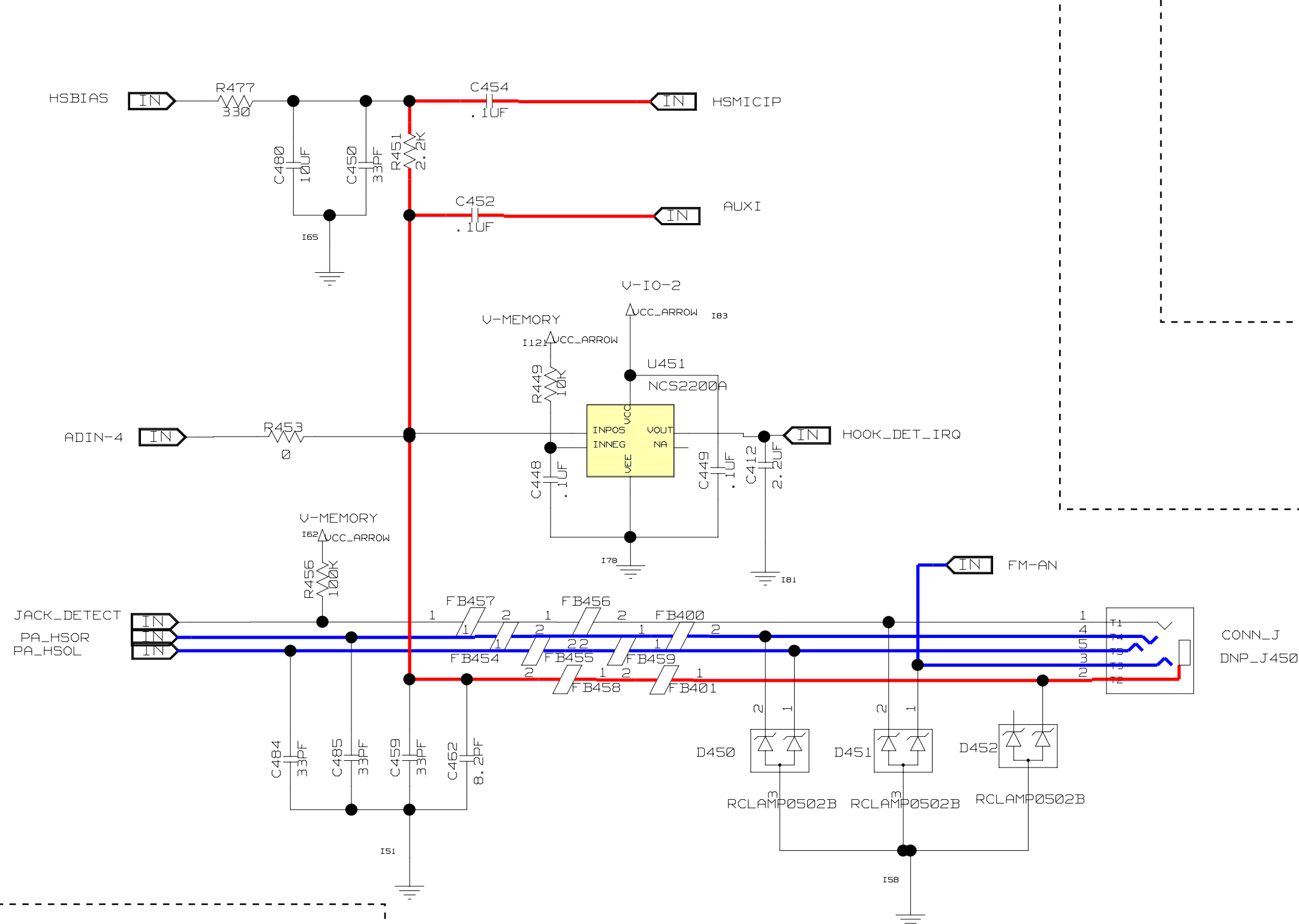
MIC



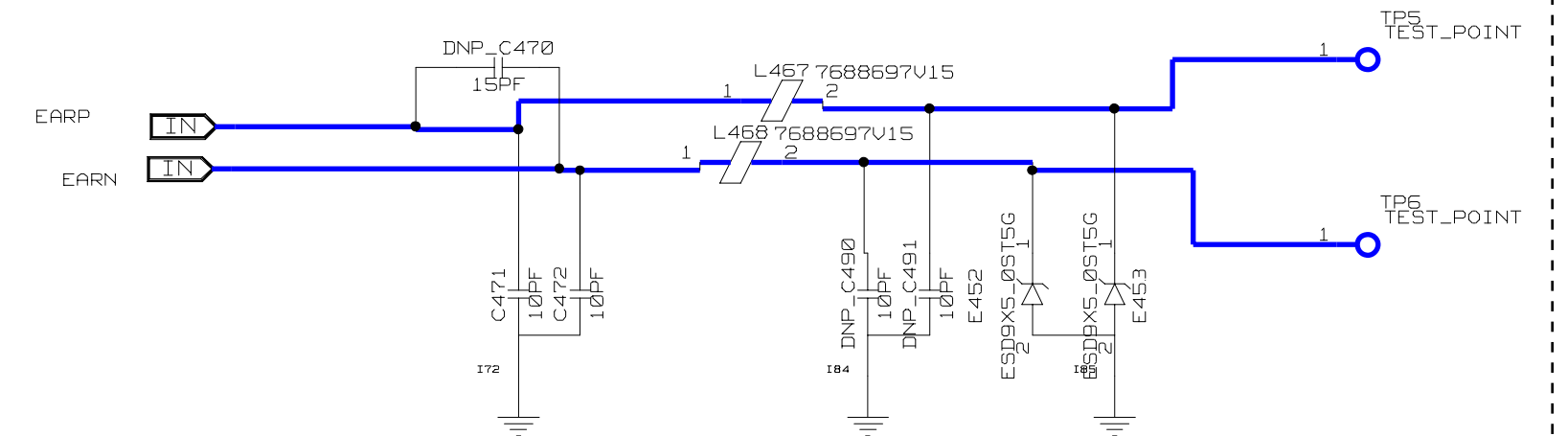
SPEAKER



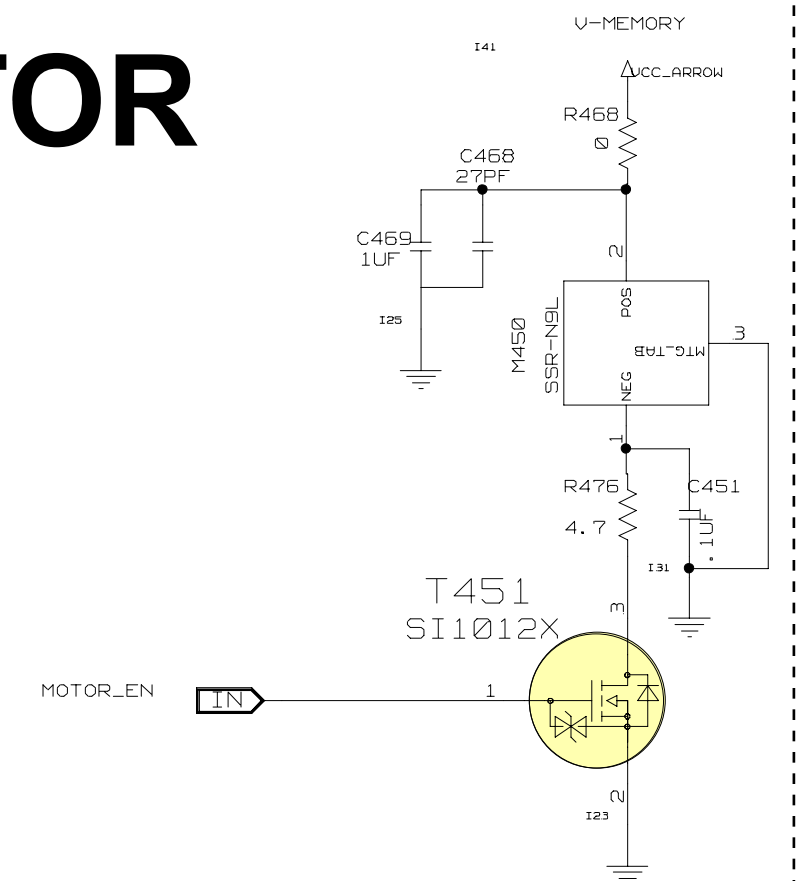
EARPHONE JACK



RECEIVER



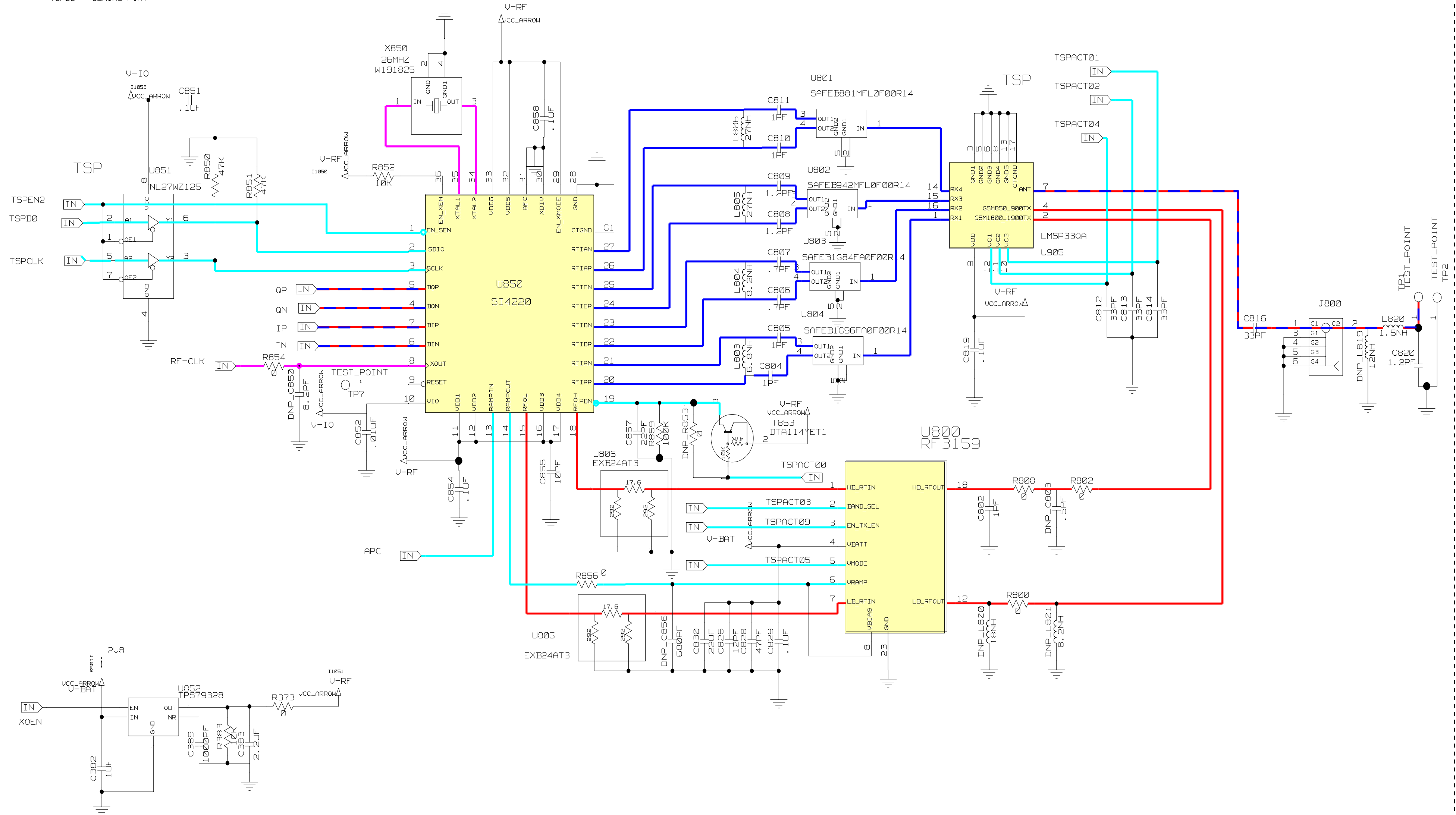
VIBRATOR



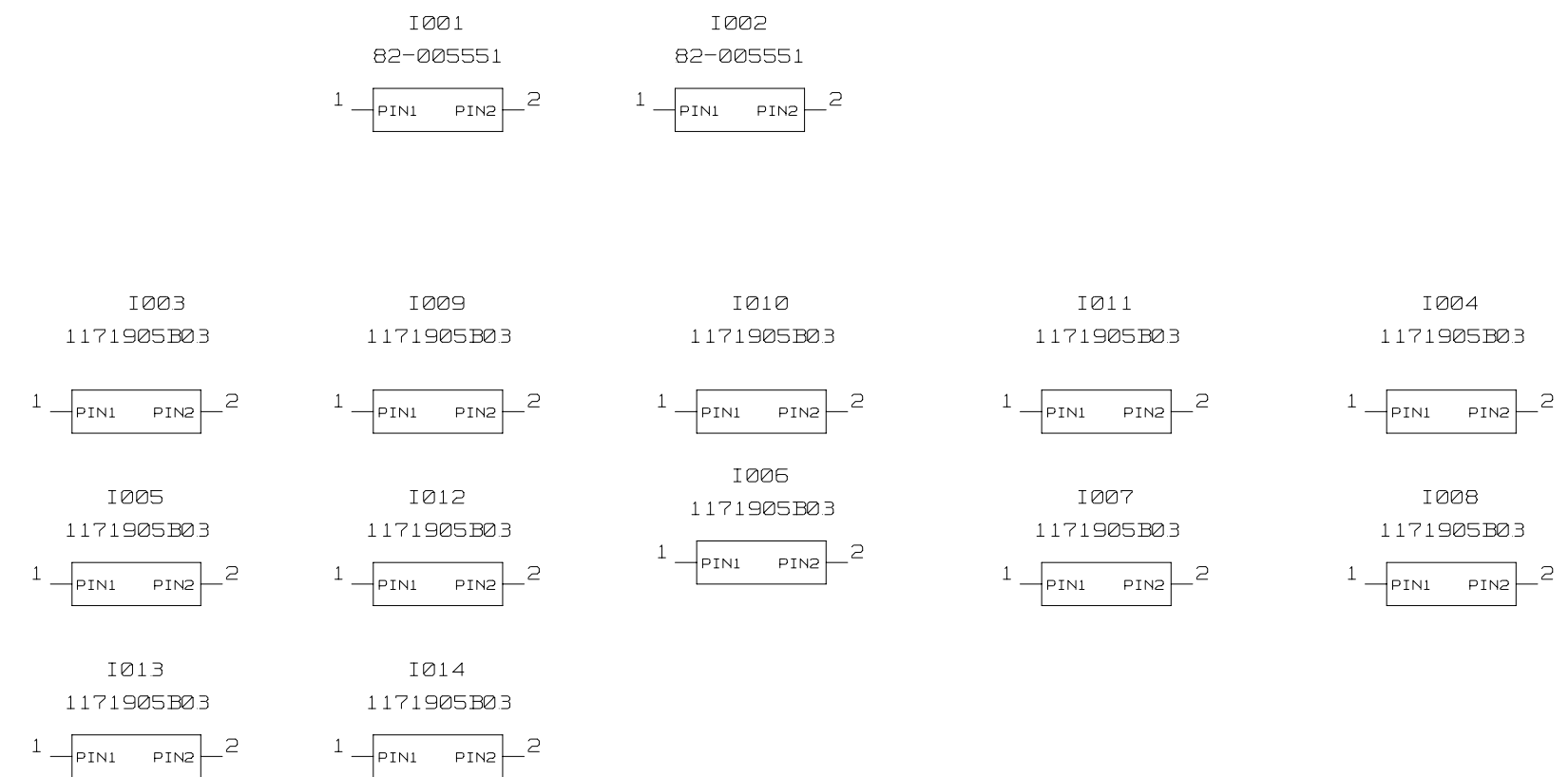
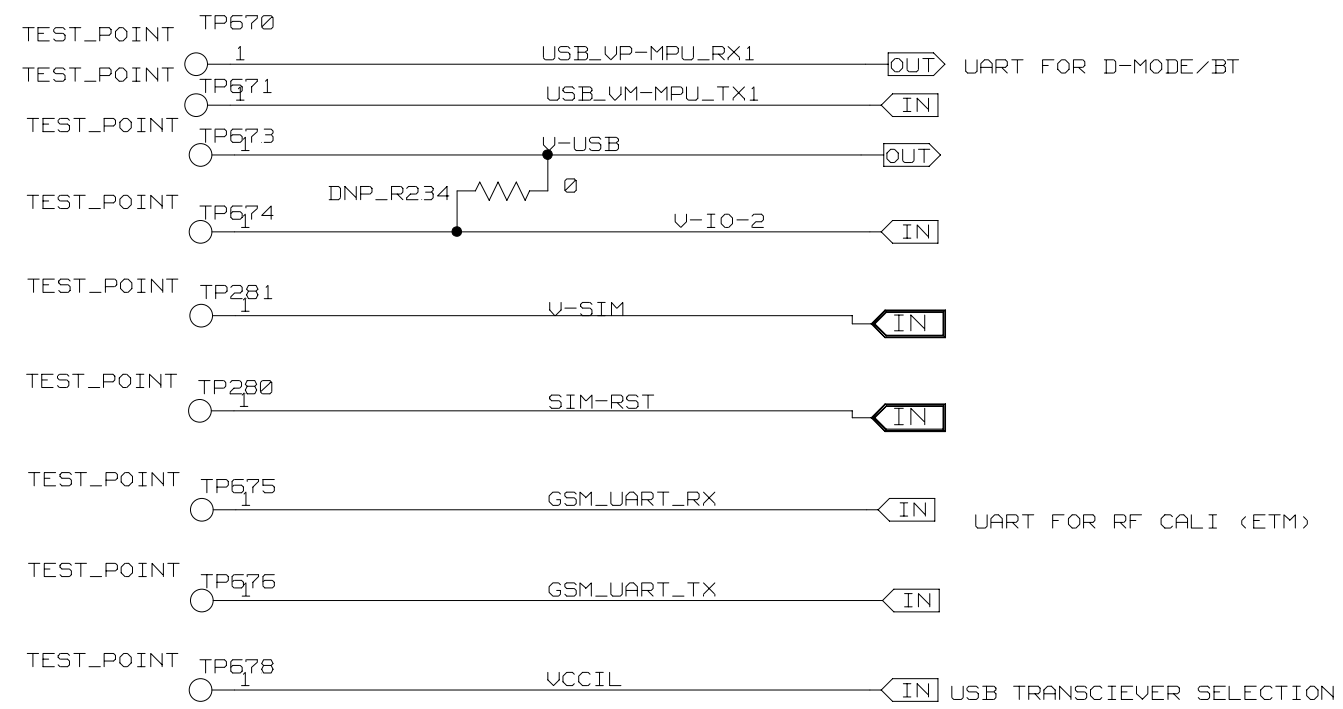
RF CHIPSETS

TSPACT00 TO CONTROLL PDN ENABLE AND DISABLE
 TSPACT01 TO CONTROLL BOTH TXEN AND VC3
 TSPACT02 VC2
 TSPACT03 BANDSEL
 TSPACT04 VC1
 TSPACT05 VMODE
 TSPACT09 TX_EN

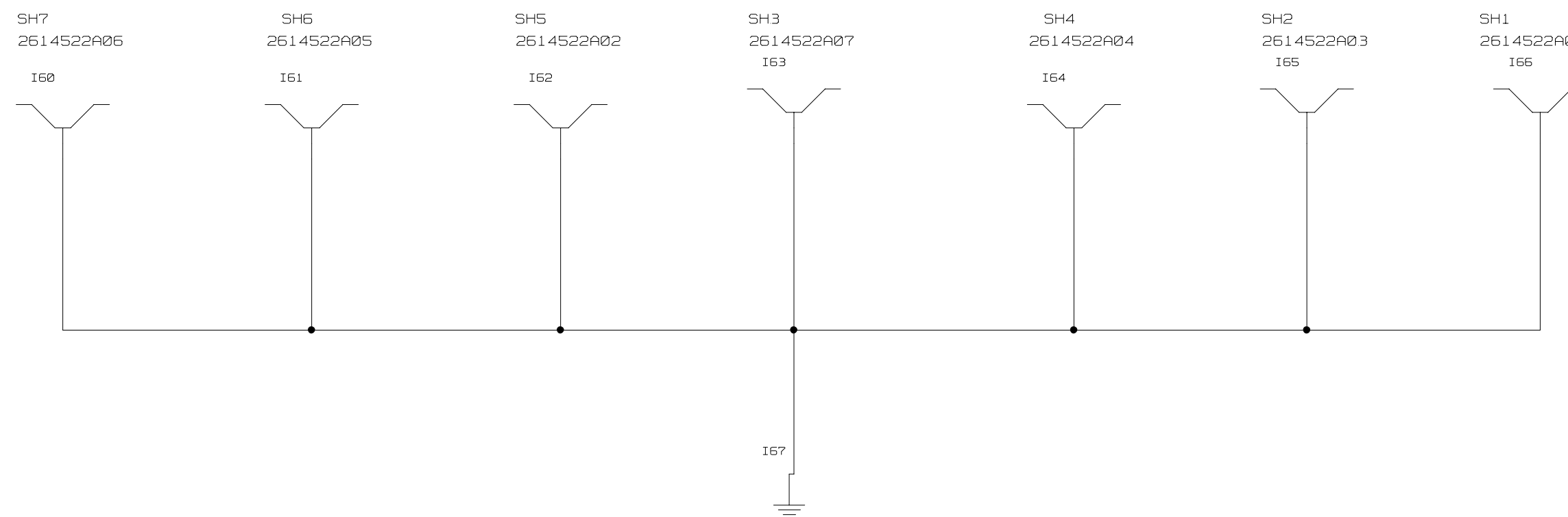
TSPCLK SERIAL PORT
 TSPEN2 SERIAL PORT
 TSPD0 SERIAL PORT



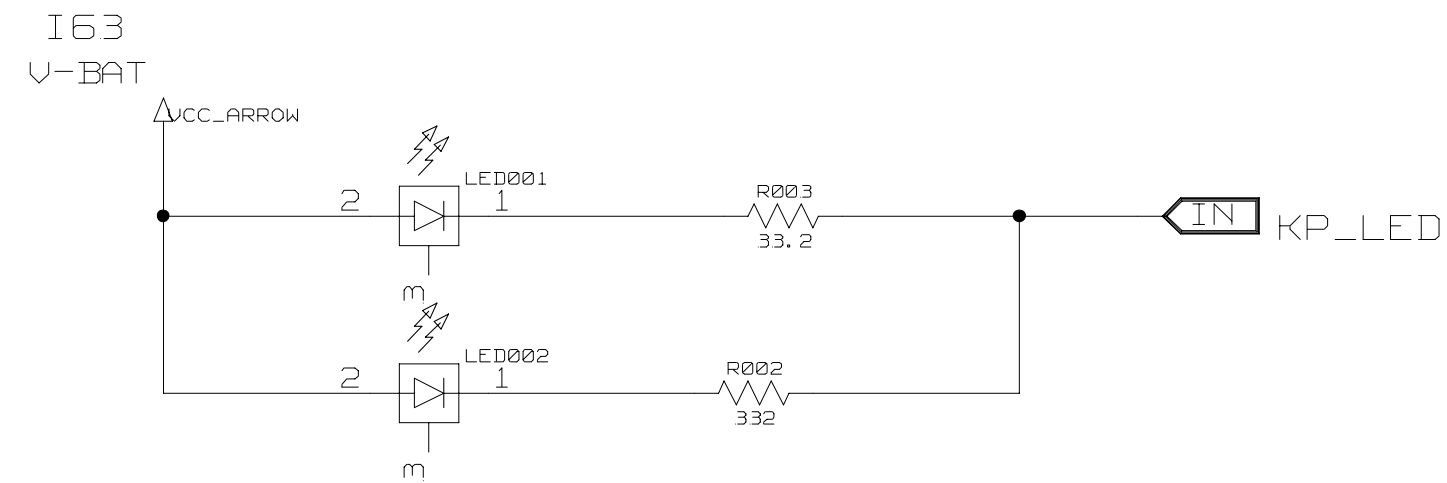
UART



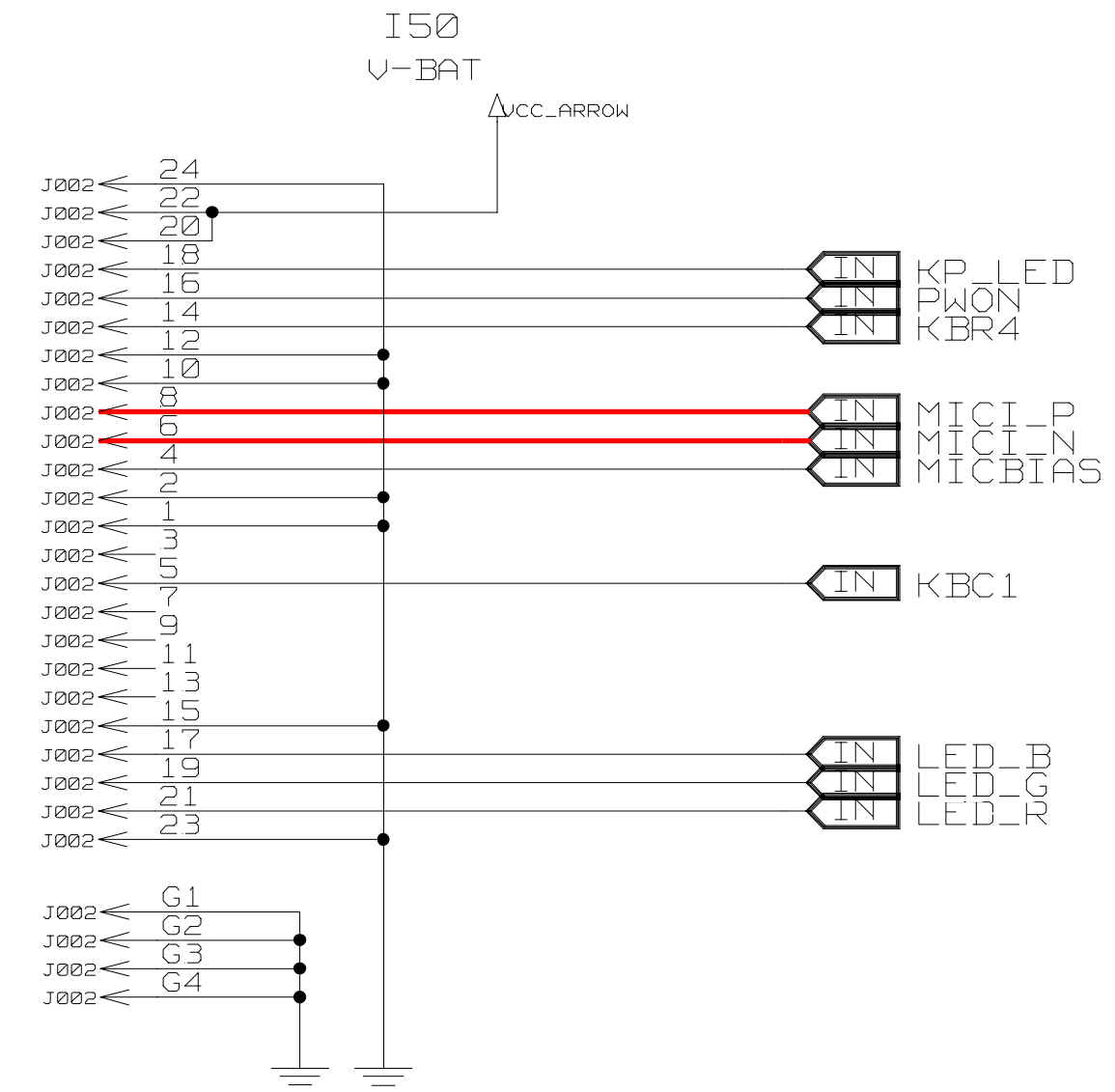
SHIELDING



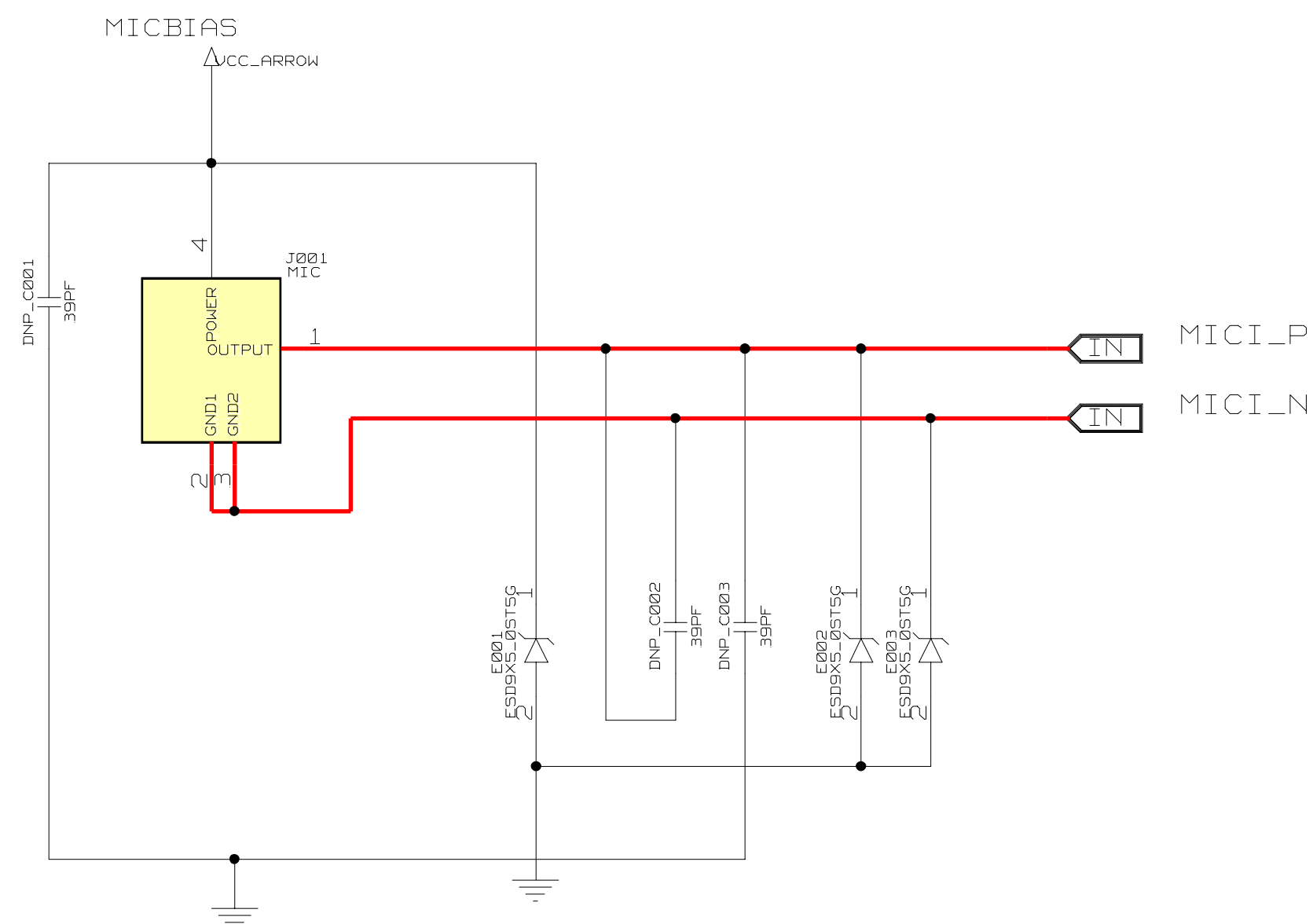
KEYPAD LED



FPC CONNECTOR



MICRO PHONE



SEDN / END EKY

