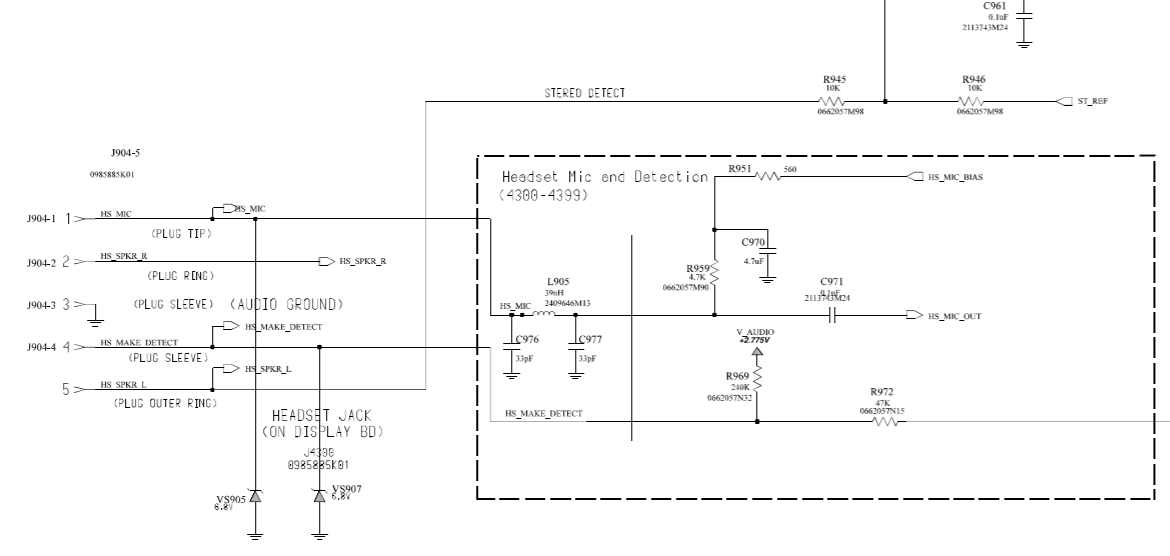
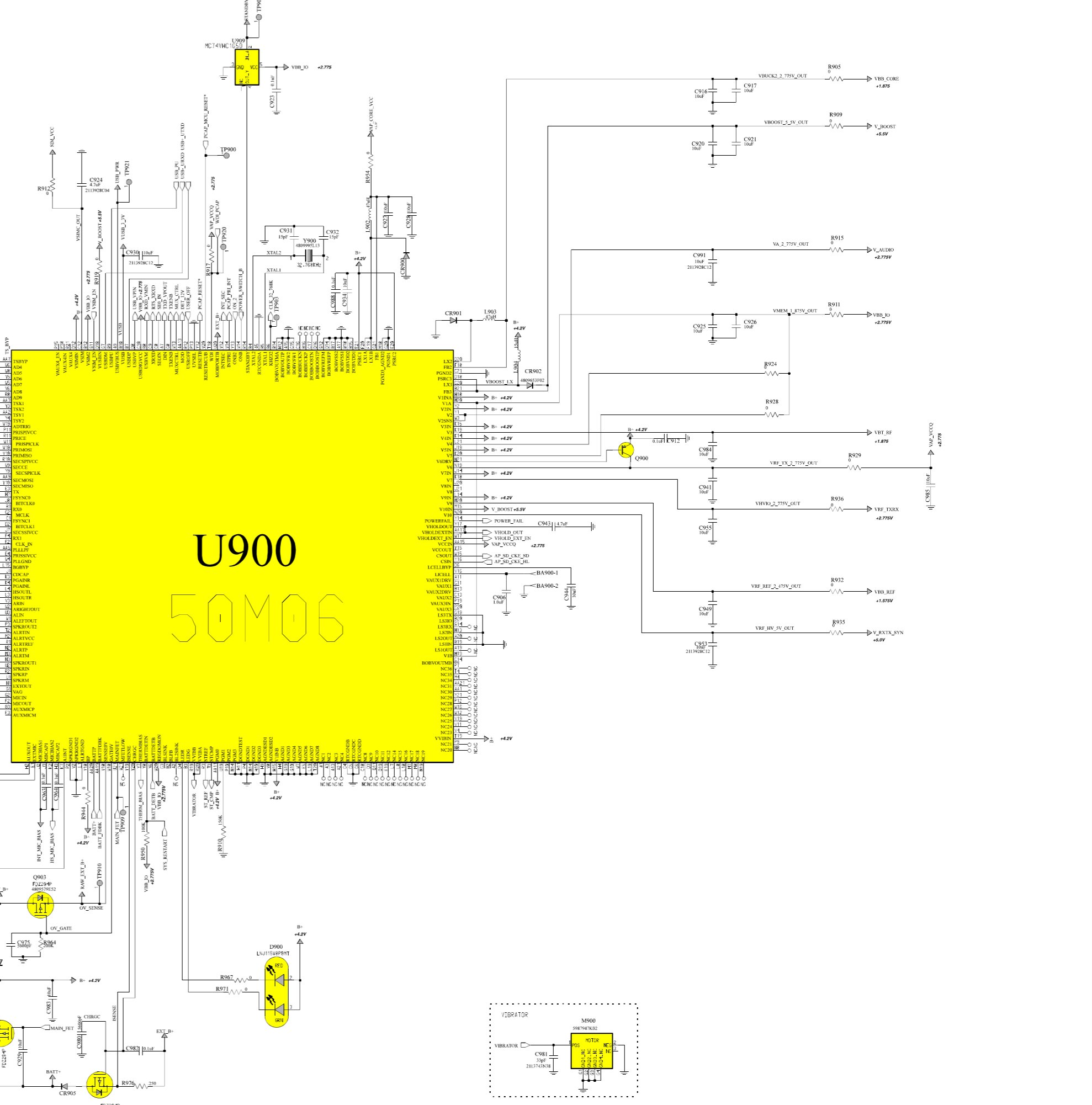
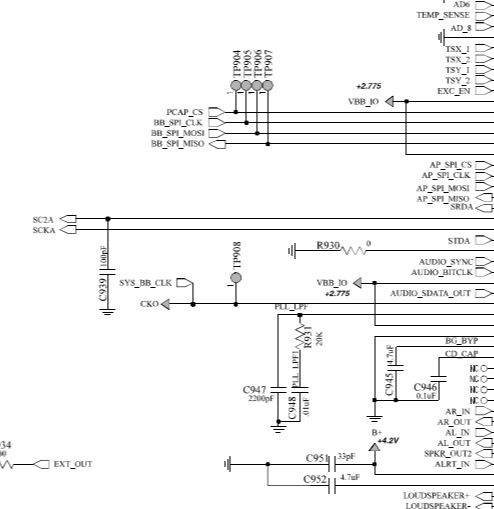
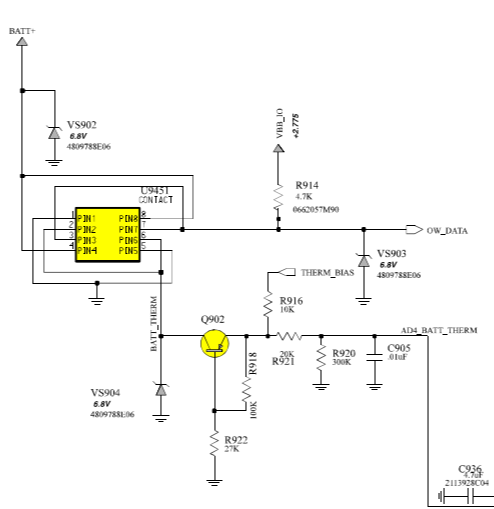
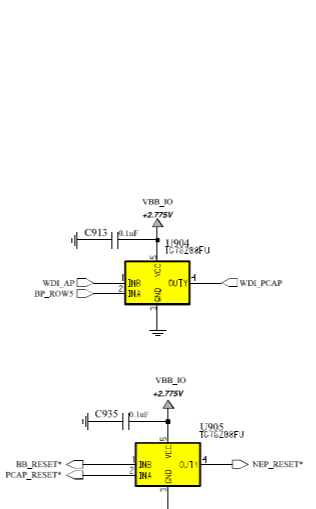
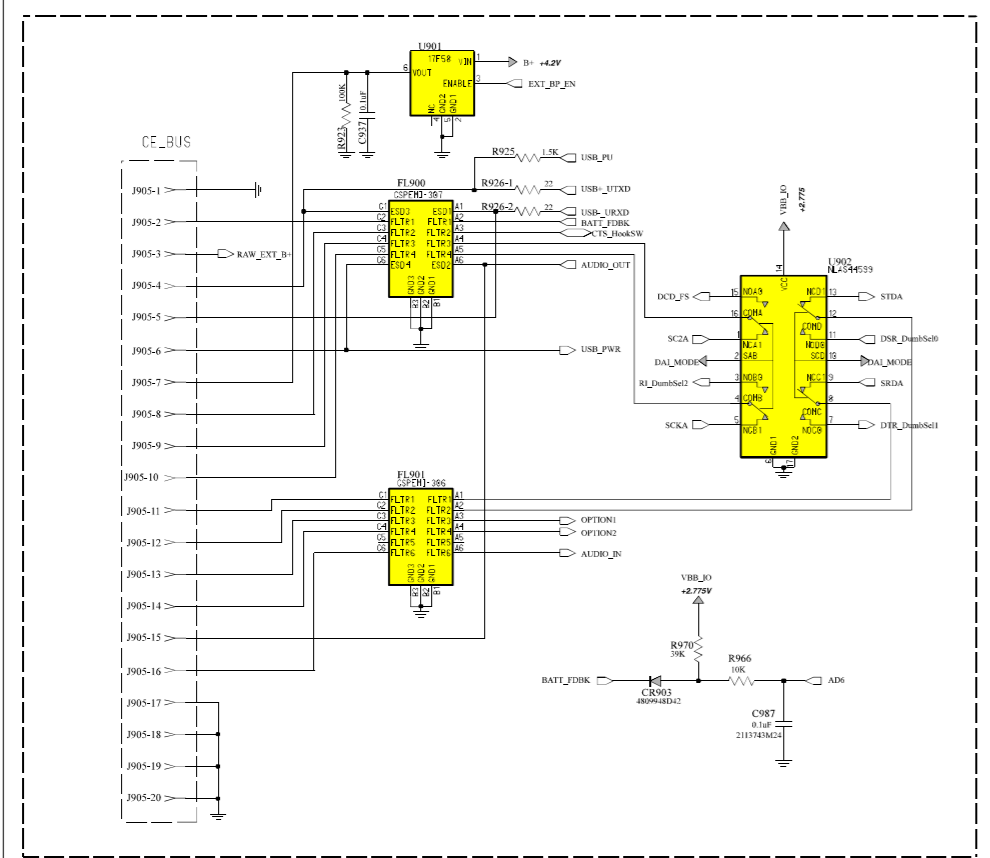
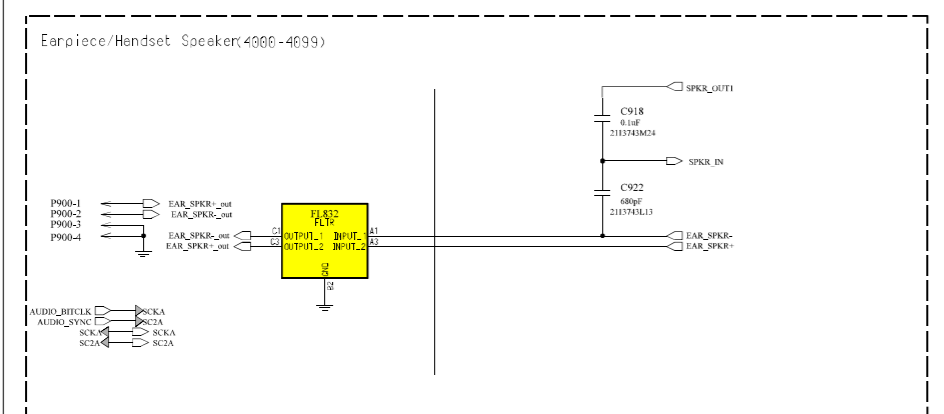
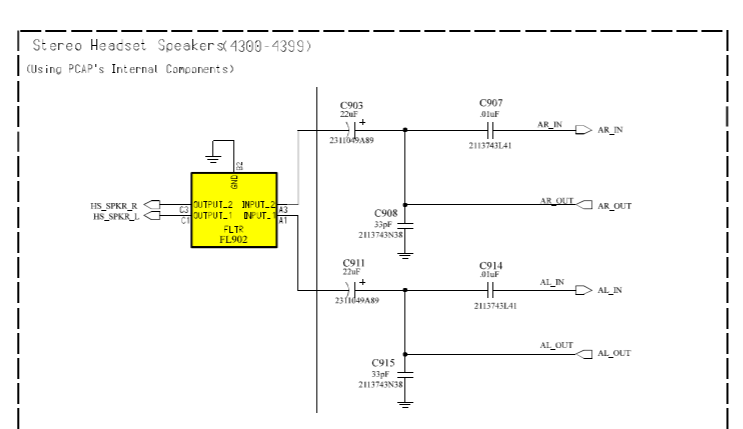
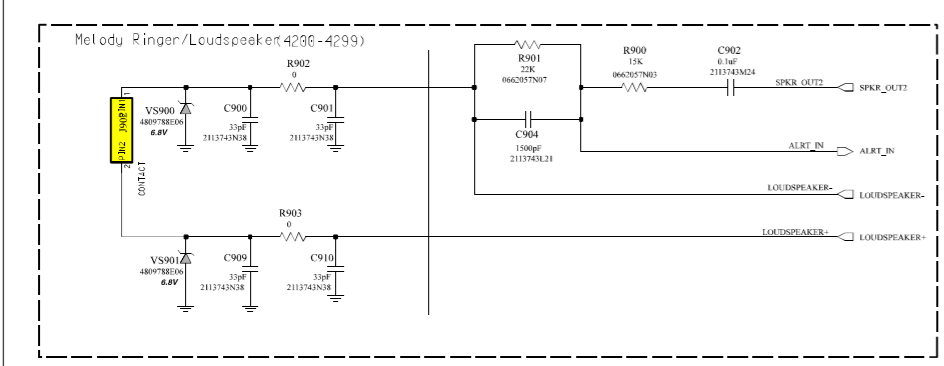


Engineer: Colin Li	MOTOROLA INC.	
Drawn by: Kofre@line	TITLE: PCAP Schematic	Size: 11x17
R&D CHK:	8488047Z02.A	Page: 4 of 5
DOC CTRL CHK:	REV: Drawing Number:	Time: 11:45
MFG CTRL CHK:	Date: 17/July/2003	
QA CHK:		
Changed by:		



GSM Service Support Level 3 Authorized

A760 8404678R01\_Rev0

REVISIONS	
GSM SERVICE SUPPORT GROUP	2003.08.07
Level 3 Schematics	Rev. 1.0
A760	8404678R01_R0
Michael Hansen, Alexander Bühler	Page 1 of 1