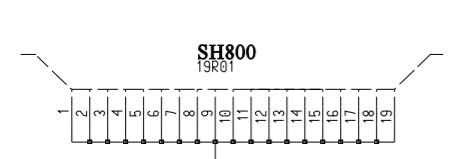
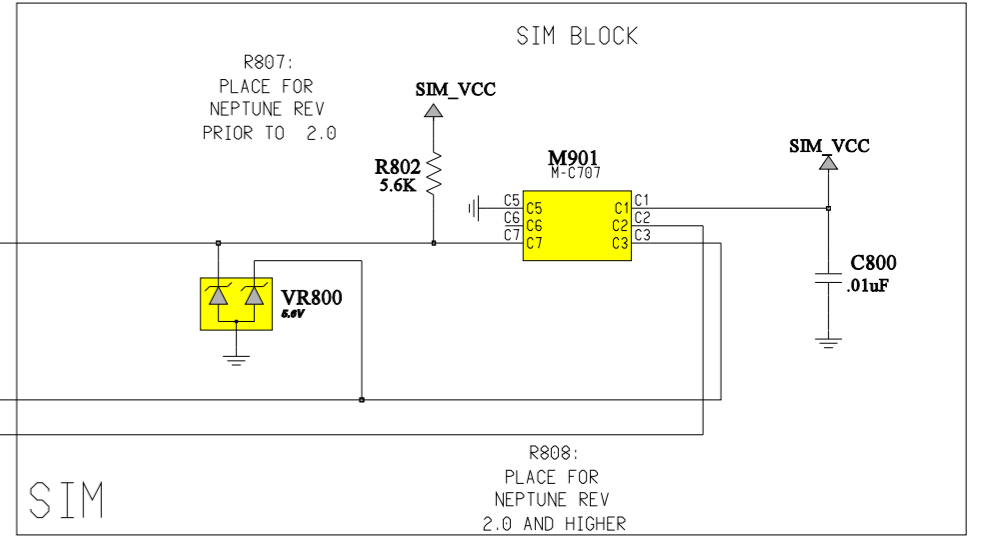
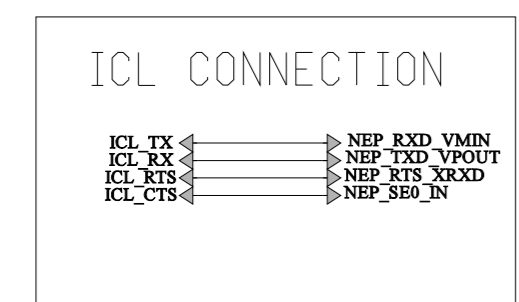
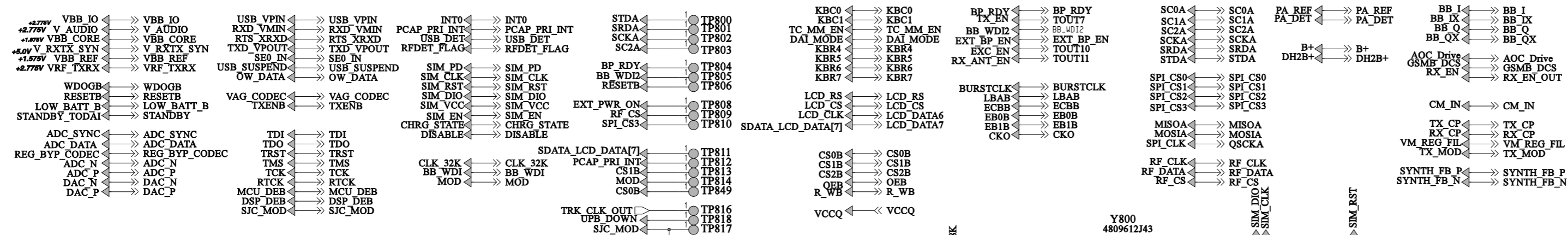
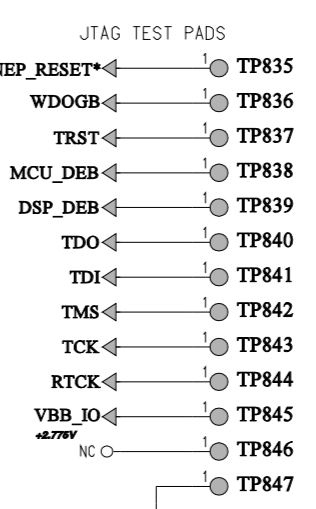


Engineer: Colin Li
 Drawn by: Katherine Zhang
 R&D CHK:
 TITLE: NEPTUNE Schematic
 Size: 11x17
 REV: Drawing Number: Page: 3 Of: 5
 4 1 3 A
 Date: 11/July/2003
 Time: 12:23



- NOTES:
 L160 INTEGRATE WITH HDI
 POTENTIAL CAP ARRAY GROUPS:
 1. C804, C820
 2. C806, C807
 3. C808, C809, C818, C821
 4. C810, C811, C815, C816
 5. C915, C917, C938
 6. C931, C932
 7. C904, C907, C908
 8. C900, C901
 9. C825, C826



- Notes:
 When transition from Wing Board to XCRV
 1) WDOGB pin header P910 needs to be removed
 2) MOD pull-down resistor needs to be placed (DNP_R810 to R810).
 3) DH2B+ Net needs to be renamed to B+ (one place: U920-24,25,26).
 4) REMOVE DNP_R820 AND DNP_R821
 5) ADD SHIELDS SH200, SH300, SH400
 6) Delete sheet 2.



A 768 8488047Z02_A

NOTE: PINS NAMES ON NEPTUNE 225 DISCONNECTED ON WING P2.5 VERSION:

A11 SRDA	H12 ECBB	N9 SPL_CS0
A13 STDA	B11 INTO	P9 SPL_CS1
A23 A23	H13 LBAB	R9 SPL_CS2
A15 BURSTCLK		

REVISIONS

GSM SERVICE SUPPORT GROUP	2004.01.16
Level 3 Schematics	Rev. 1.0
A768	8488047Z02_A
Michael Hansen, Alexander Bühler	Page 1 of 1