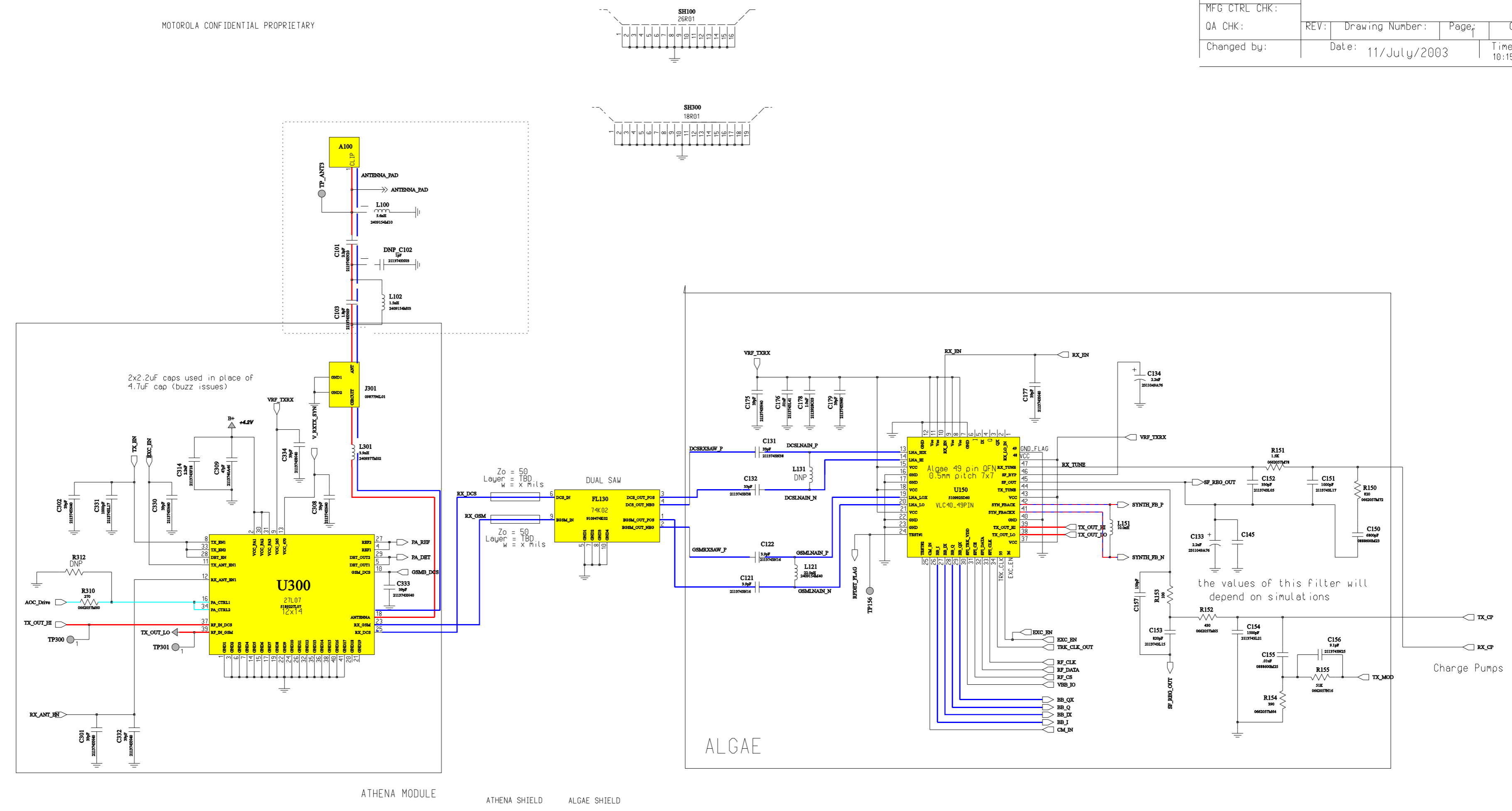


Engineer:	Di Wei	MOTOROLA INC.	
Drawn by:		TITLE:	RF Schematic
R&D CHK:		REV:	1
DOC CTRL CHK:		Page:	5
MFG CTRL CHK:		Date:	11/July/2003
QA CHK:		Time:	10:15
Changed by:			

MOTOROLA CONFIDENTIAL PROPRIETARY



GSM Service Support Level 3 Authorized

A 768 8488047Z02_A

REVISIONS

GSM SERVICE SUPPORT GROUP	2004.01.16
Level 3 Schematics	Rev. 1.0
A768	8488047Z02_A
Michael Hansen, Alexander Bühler	Page 1 of 1