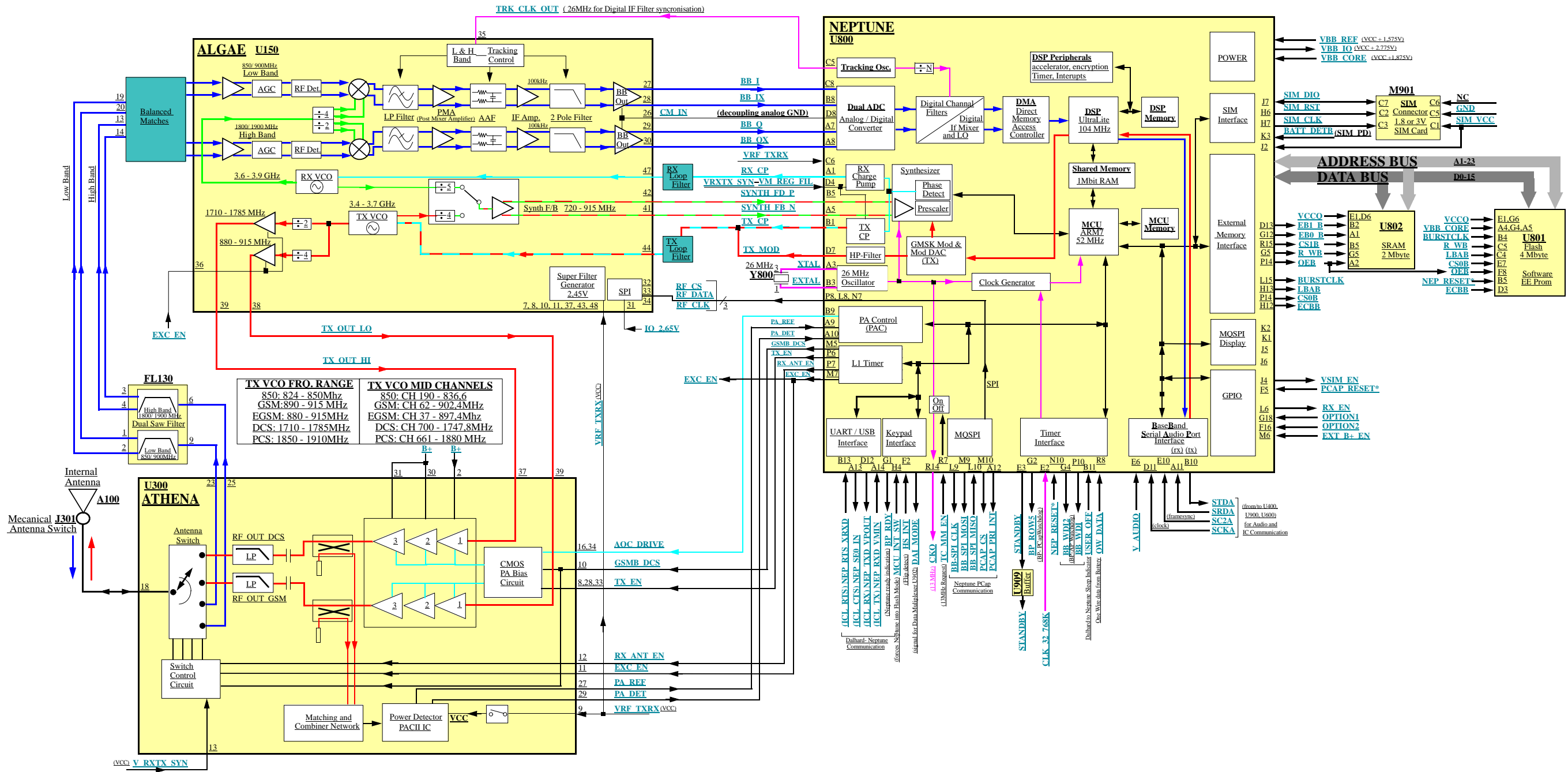


RX MID CHANNELS
 850: CH190 - 881.6
 GSM: CH 62 - 947.4 MHz
 EGSM: CH 37 - 942.4MHz
 DCS: CH 700 - 1842.8MHz
 PCS: CH 661 - 1960MHz

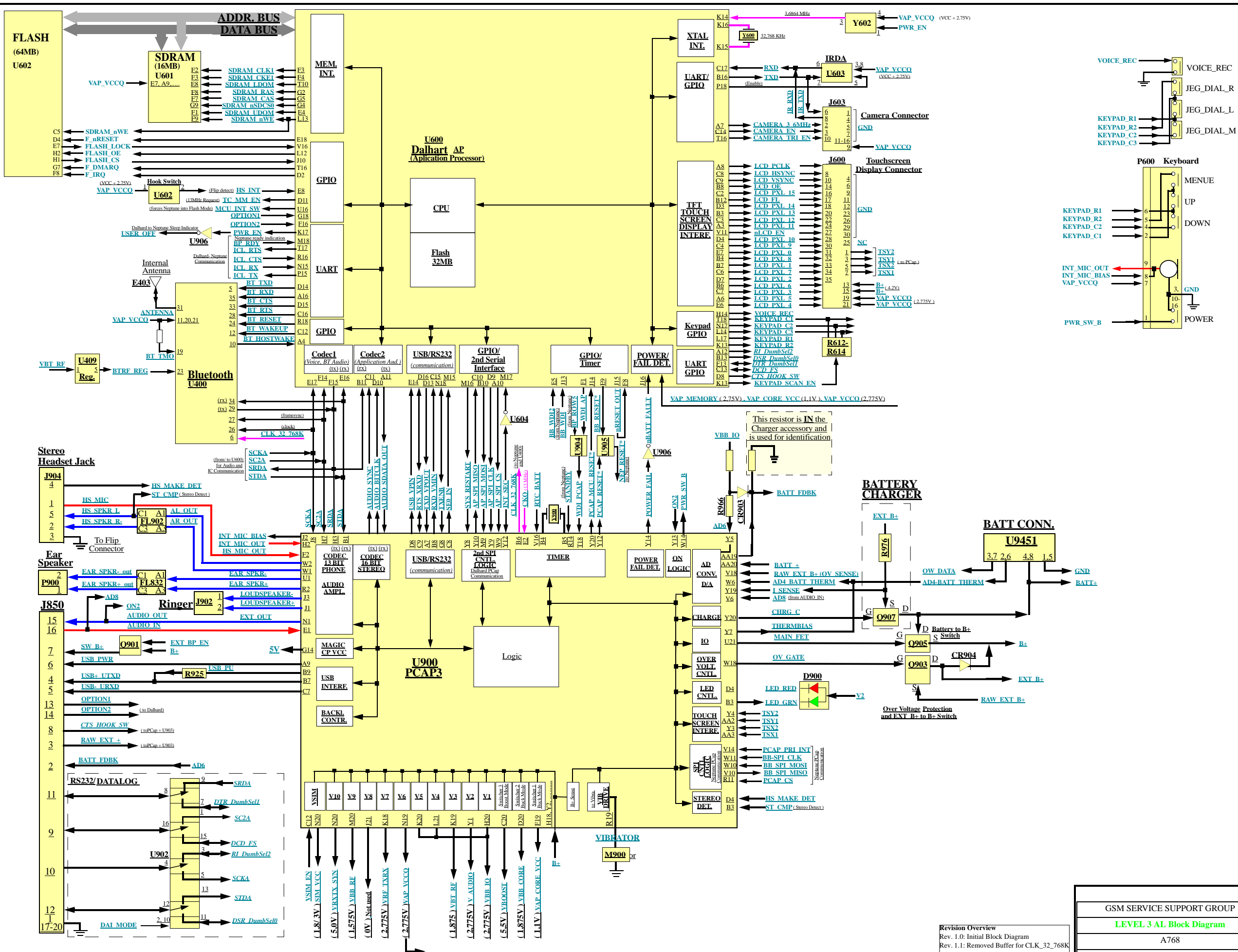


A768

Revision Overview	
Rev. 1.0:	Initial Block Diagram
Rev. 1.1:	Removed Buffer for CLK_32_768K

GSM SERVICE SUPPORT GROUP	2004.02.05
LEVEL 3 AL Block Diagram	Rev. 1.1
A768	
Michael Hansen, Alexander Buehler	Page 1 of 2

A768



Revision Overview
 Rev. 1.0: Initial Block Diagram
 Rev. 1.1: Removed Buffer for CLK_32_768K

GSM SERVICE SUPPORT GROUP	2004.02.05
LEVEL 3 AL Block Diagram	Rev. 1.1
A768	
Michael Hansen, Alexander Buehler	Page 2of 2