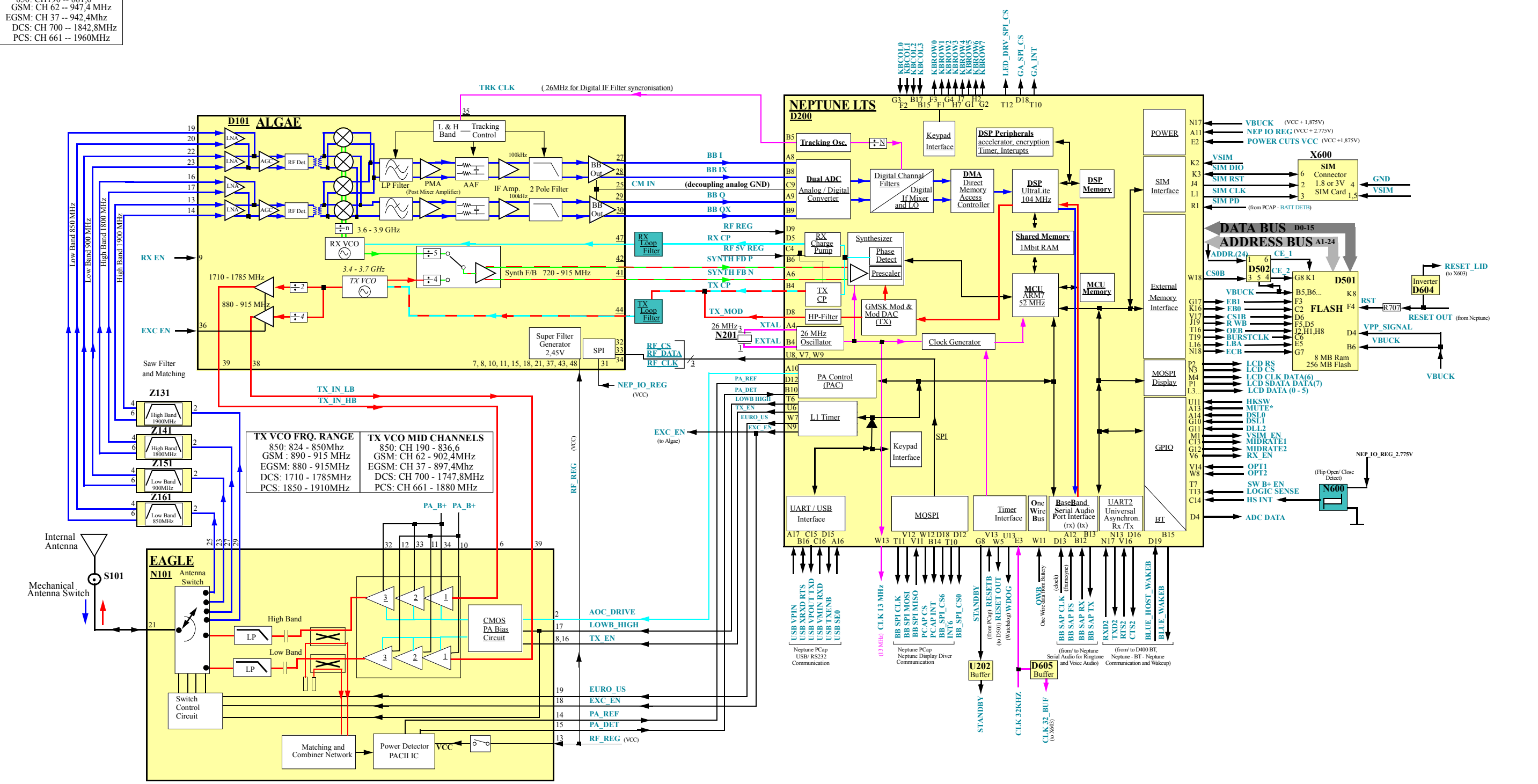


RX MID CHANNELS  
 850: CH190 - 881,6  
 GSM: CH 62 - 947,4 MHz  
 EGSM: CH 37 - 942,4MHz  
 DCS: CH 700 - 1842,8MHz  
 PCS: CH 661 - 1960MHz



TX VCO FRQ. RANGE	TX VCO MID CHANNELS
850: 824 - 850MHz	850: CH 190 - 836,6
GSM: 890 - 915 MHz	GSM: CH 62 - 902,4MHz
EGSM: 880 - 915MHz	EGSM: CH 37 - 897,4MHz
DCS: 1710 - 1785MHz	DCS: CH 700 - 1747,8MHz
PCS: 1850 - 1910MHz	PCS: CH 661 - 1880 MHz

Revision Overview  
 Rev. 0.1: Initial Block Diagram  
 Rev. 0.2 : Updated LID connector signals

GSM SERVICE SUPPORT GROUP	2004.05.04
LEVEL 3 AL Block Diagram	Rev. 0.2
A630	
Jani Salmikivi	Page 1 of 2

**A630**

