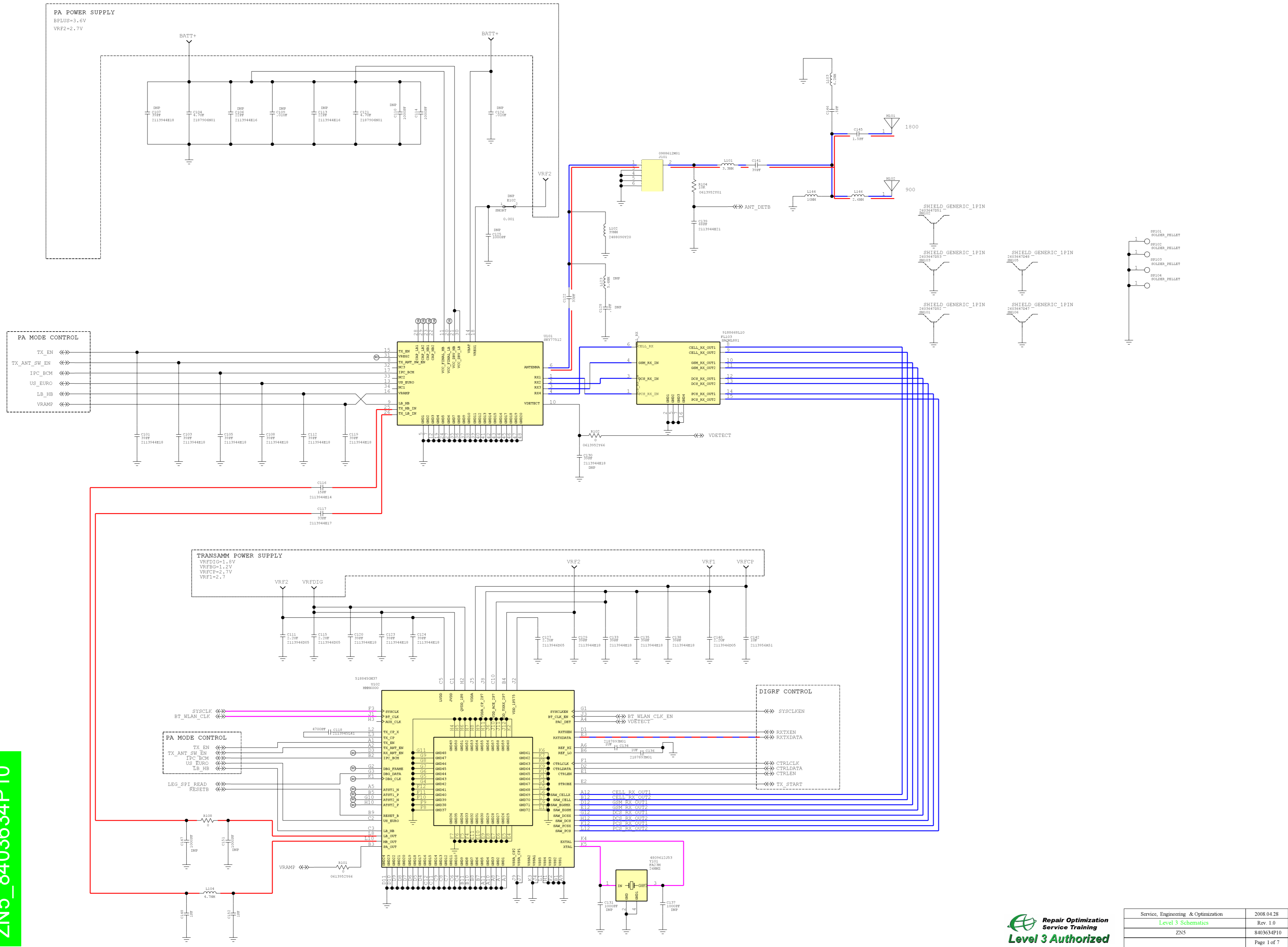
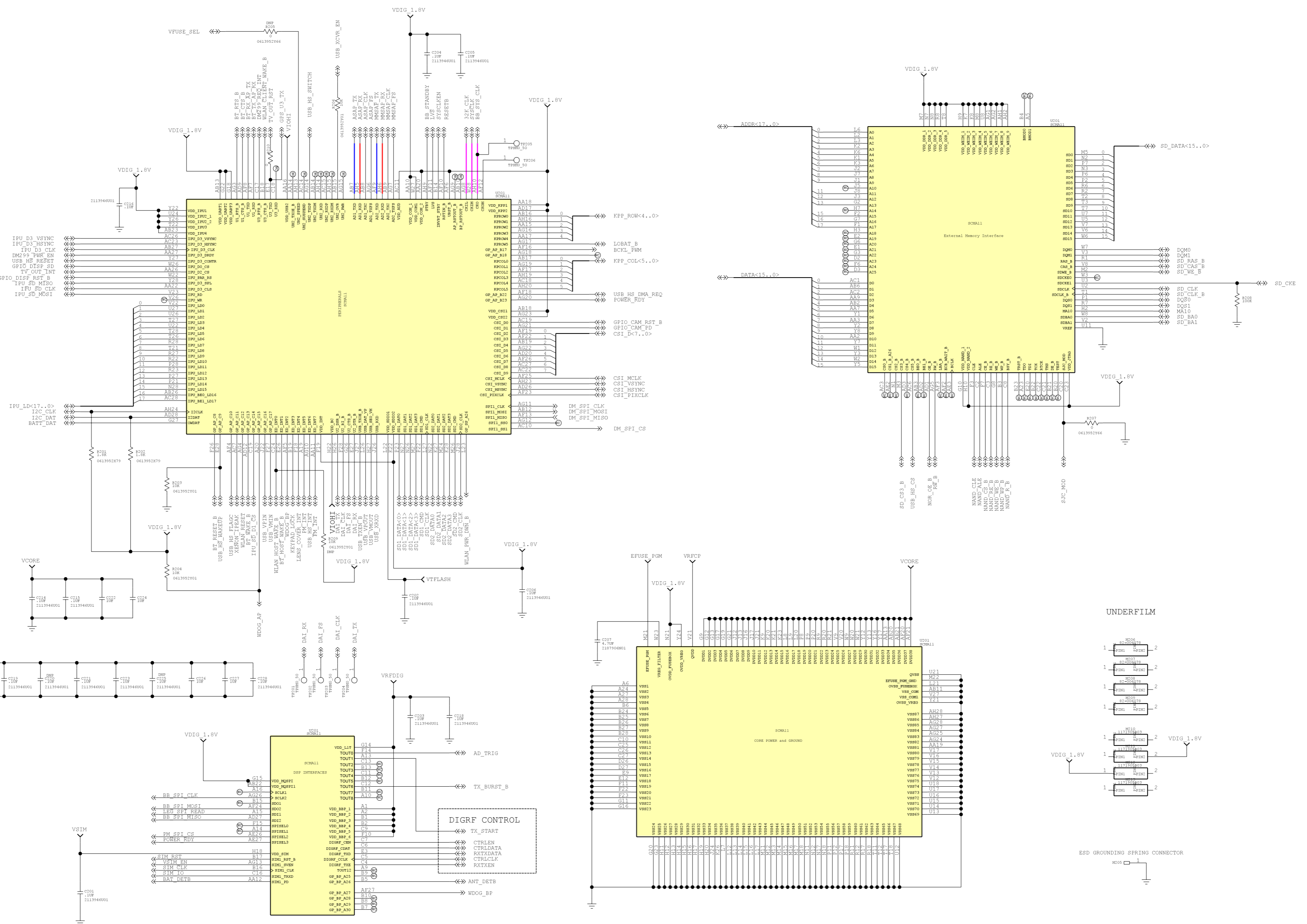


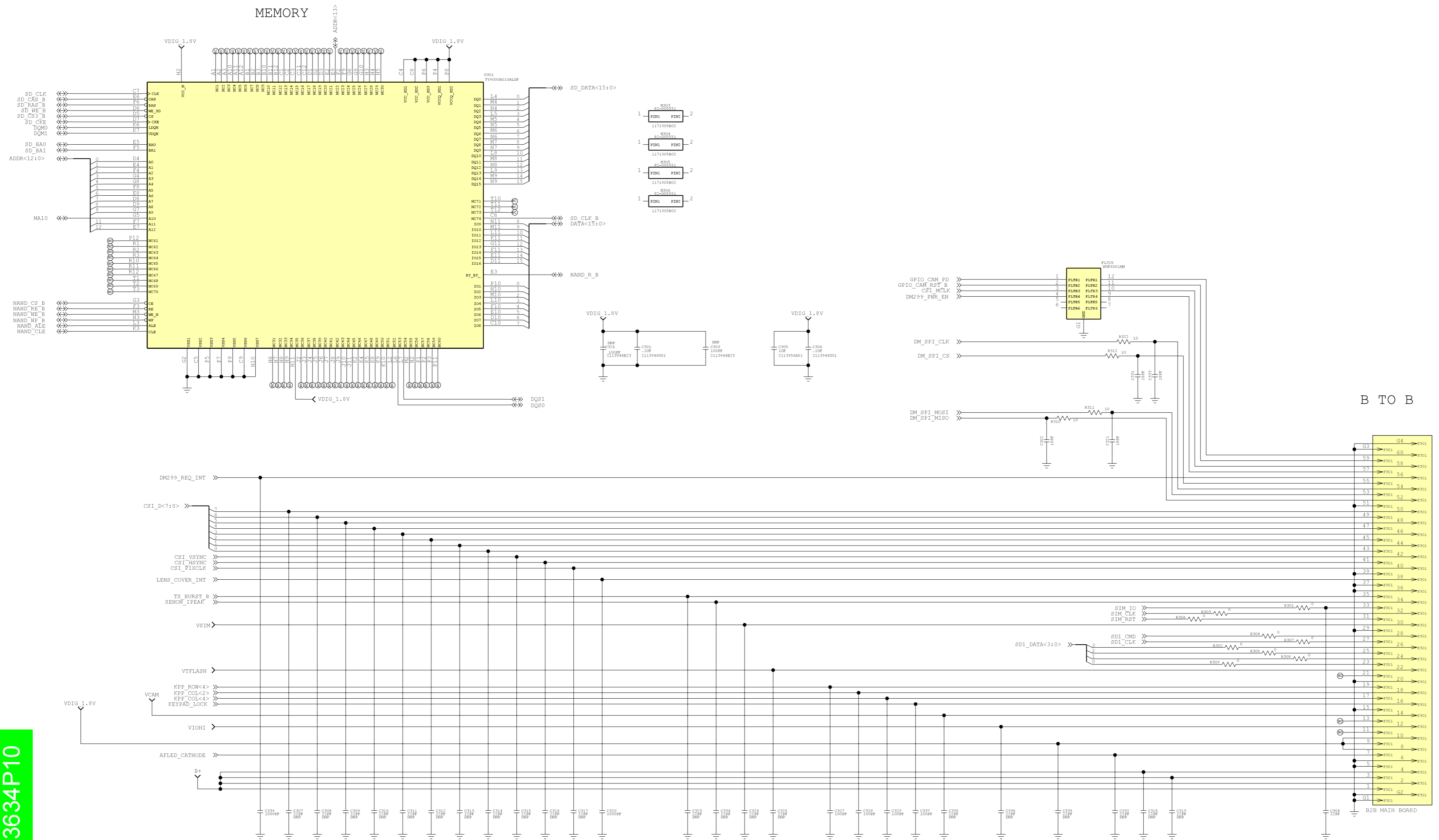
ZN5_8403634P10



ZN5_8403634P10

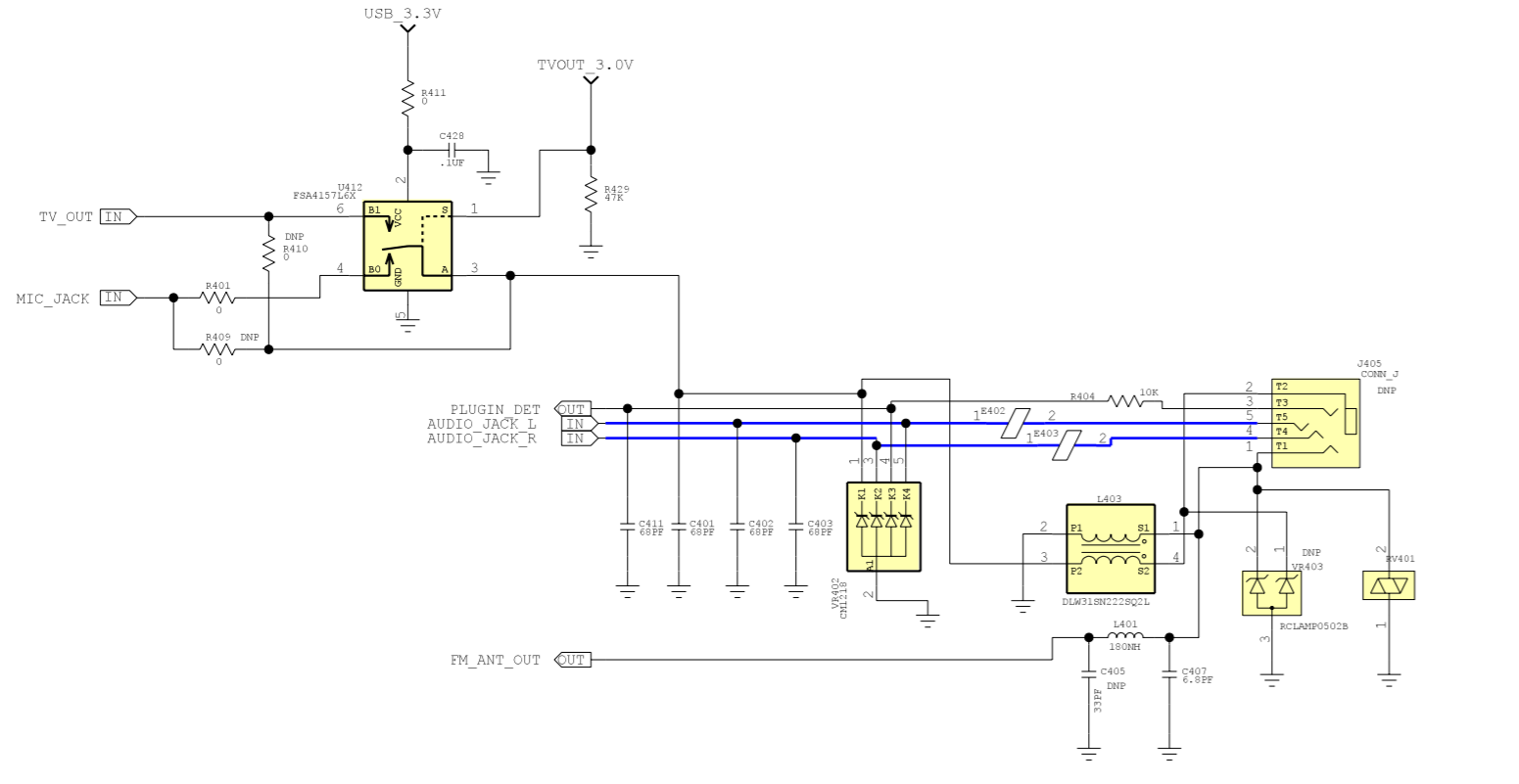


ZN5_8403634P10

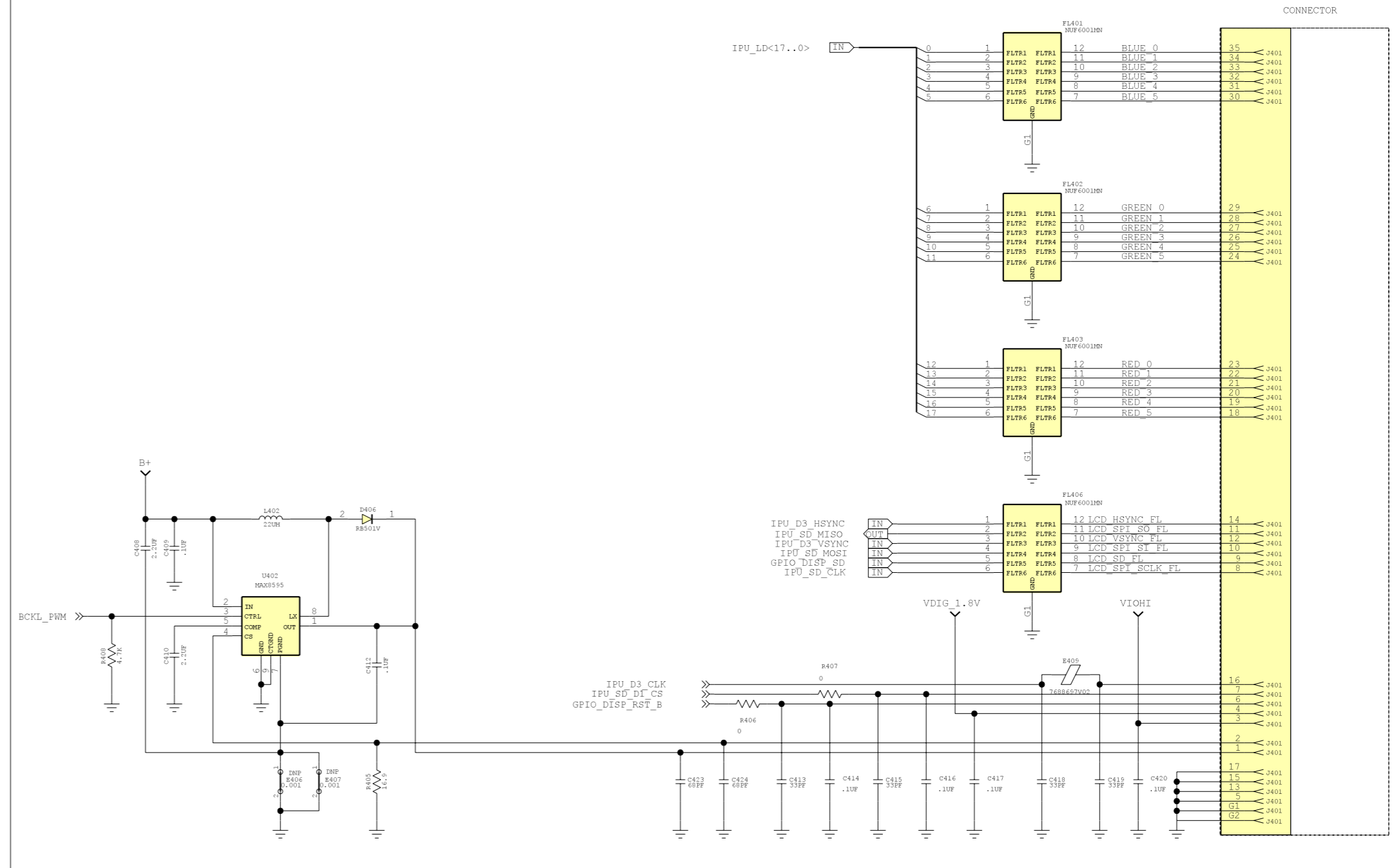


B TO B

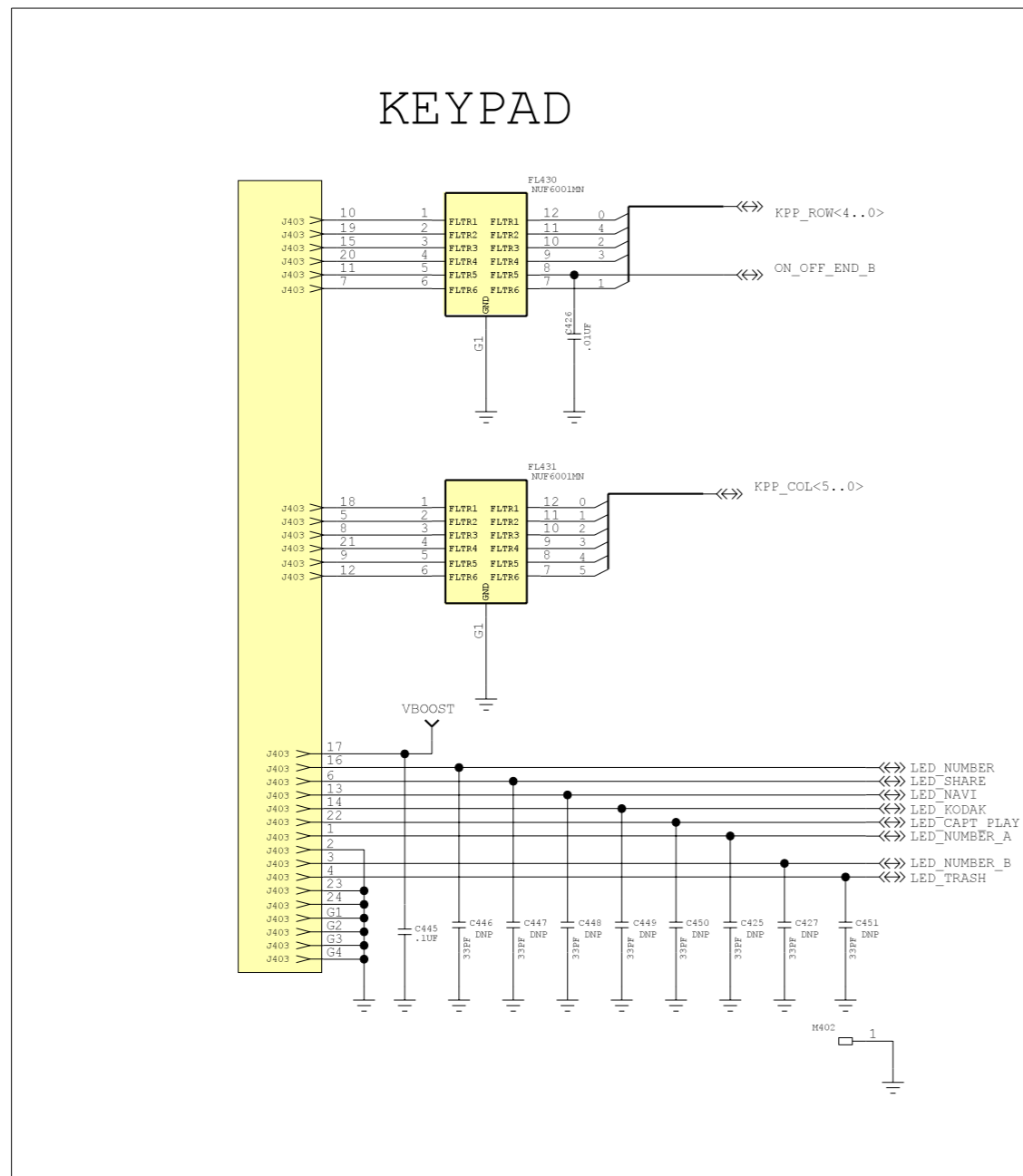
JACK CONNECTOR



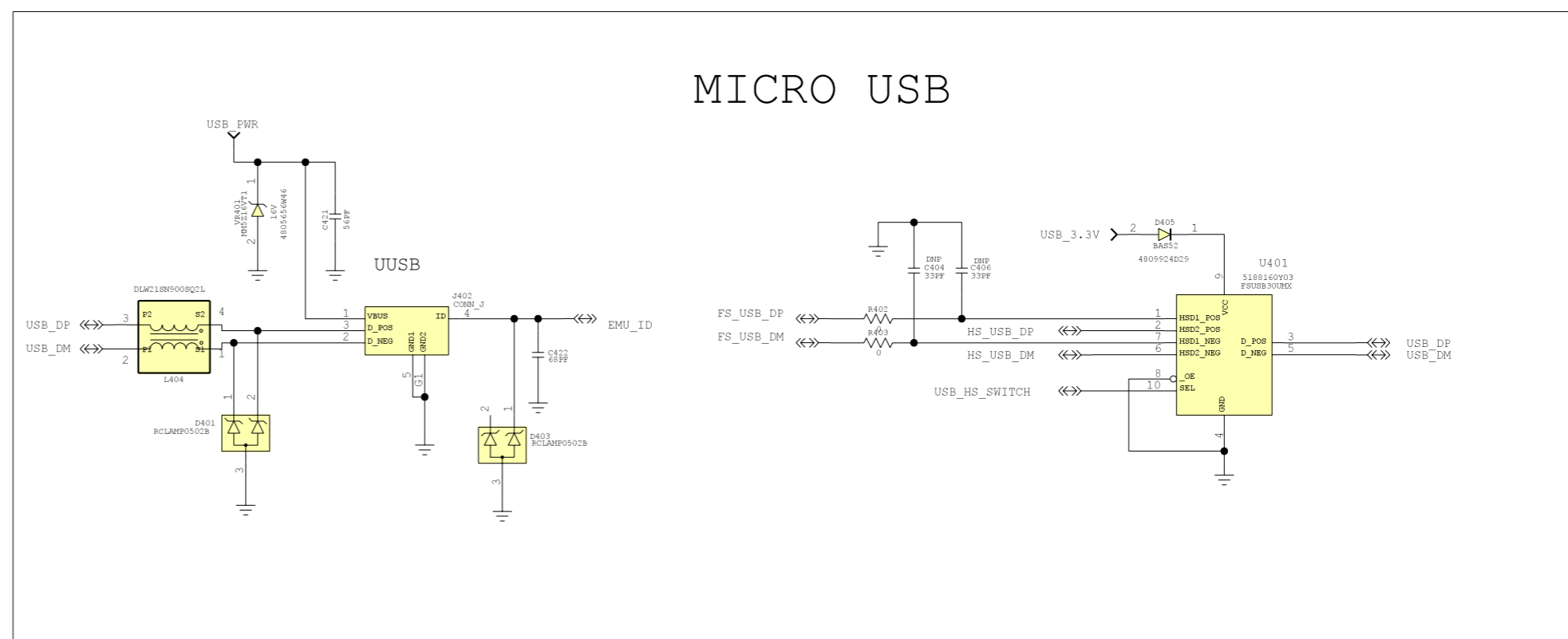
DISPLAY CONNECTOR



KEYPAD

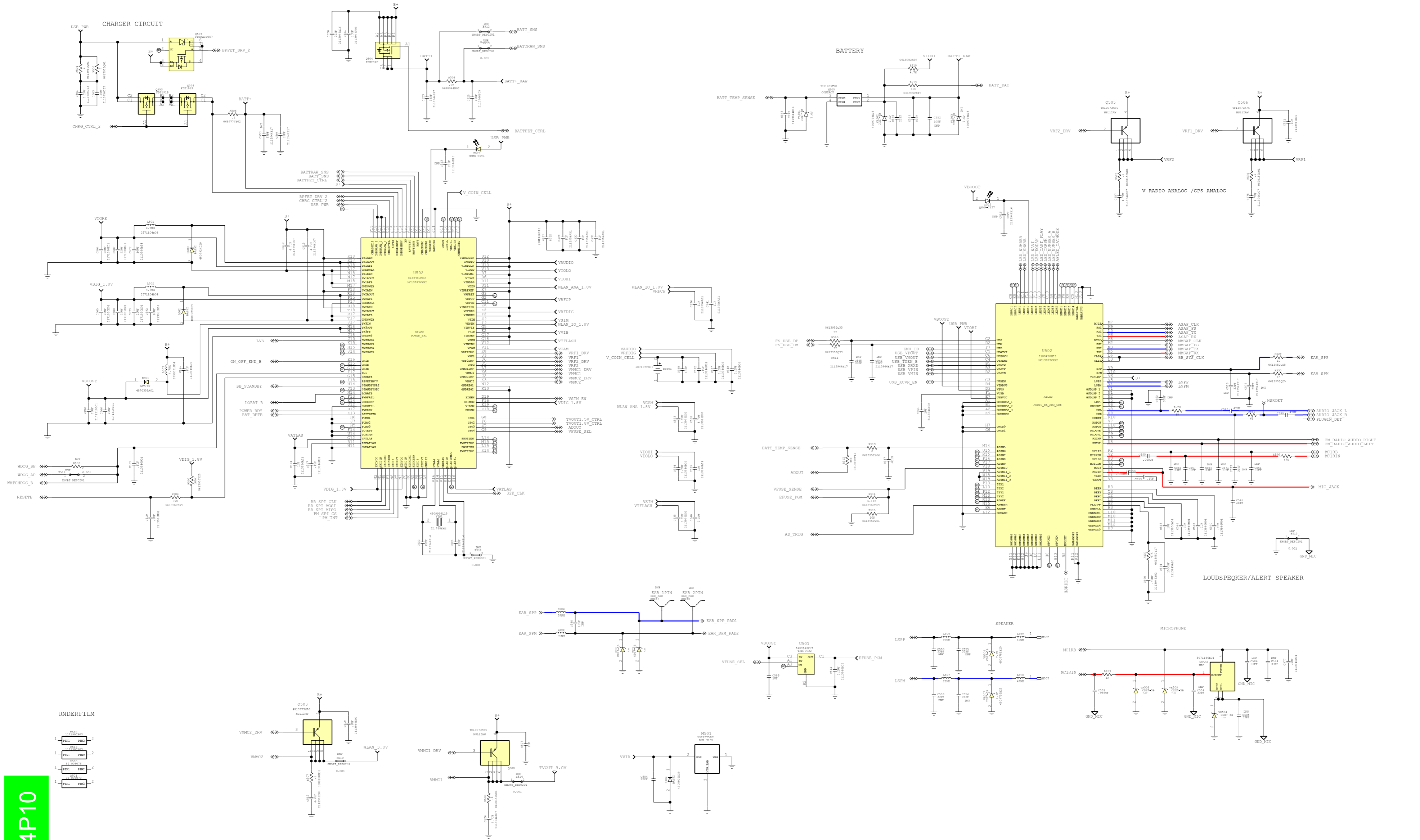


MICRO USB

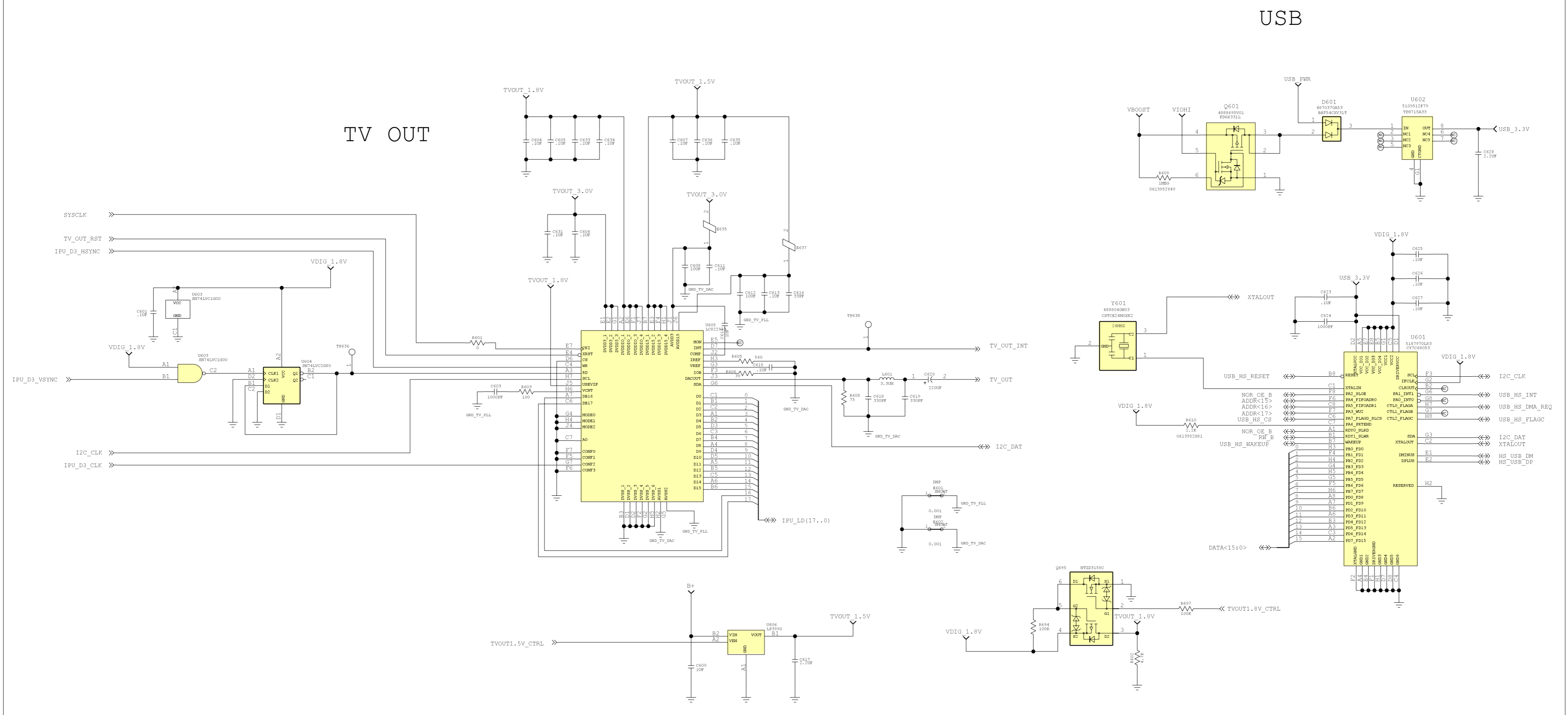


ZN5_8403634P10

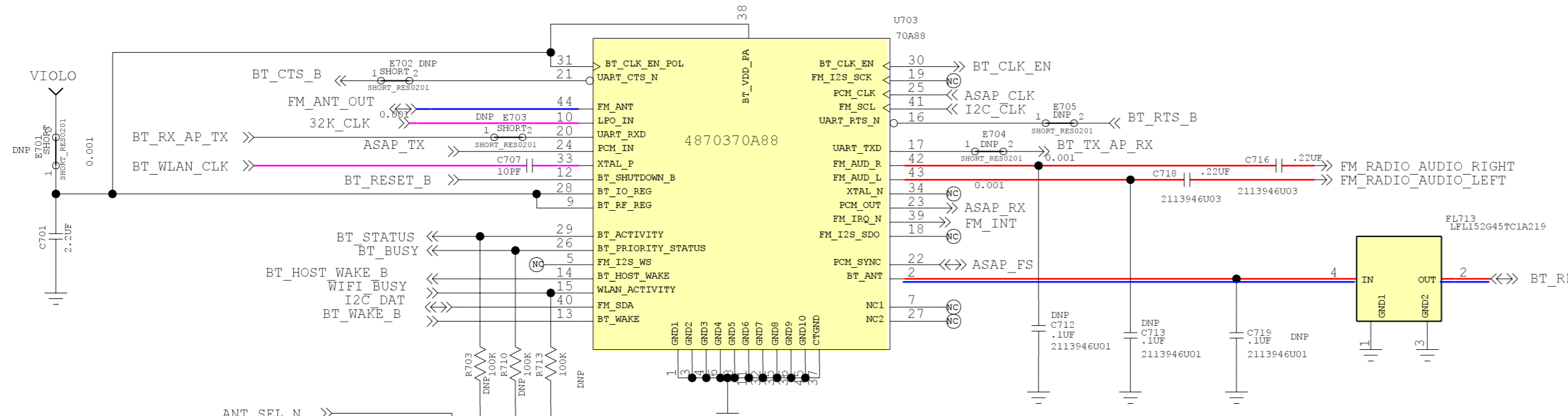
ZN5_8403634P10



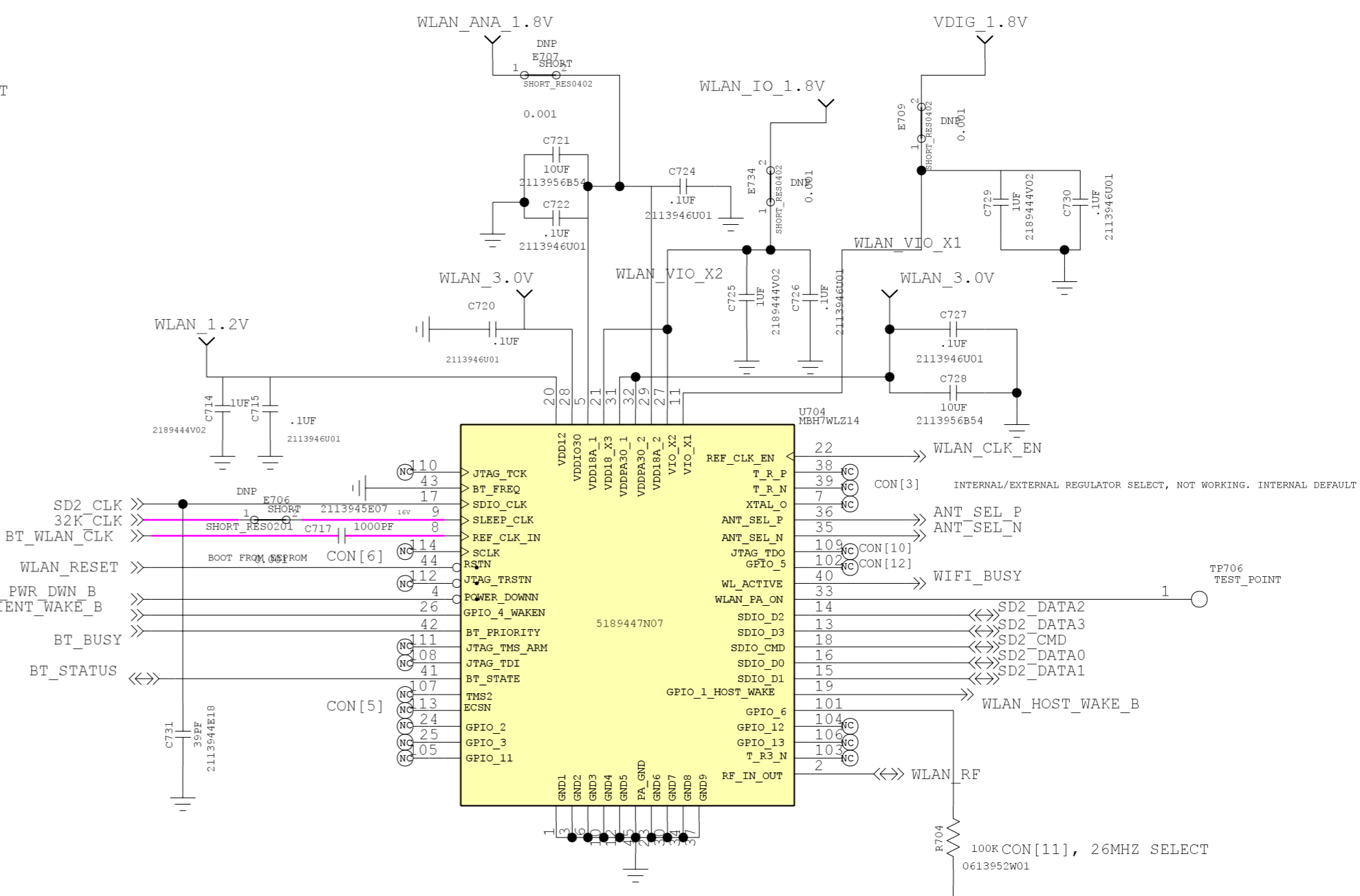
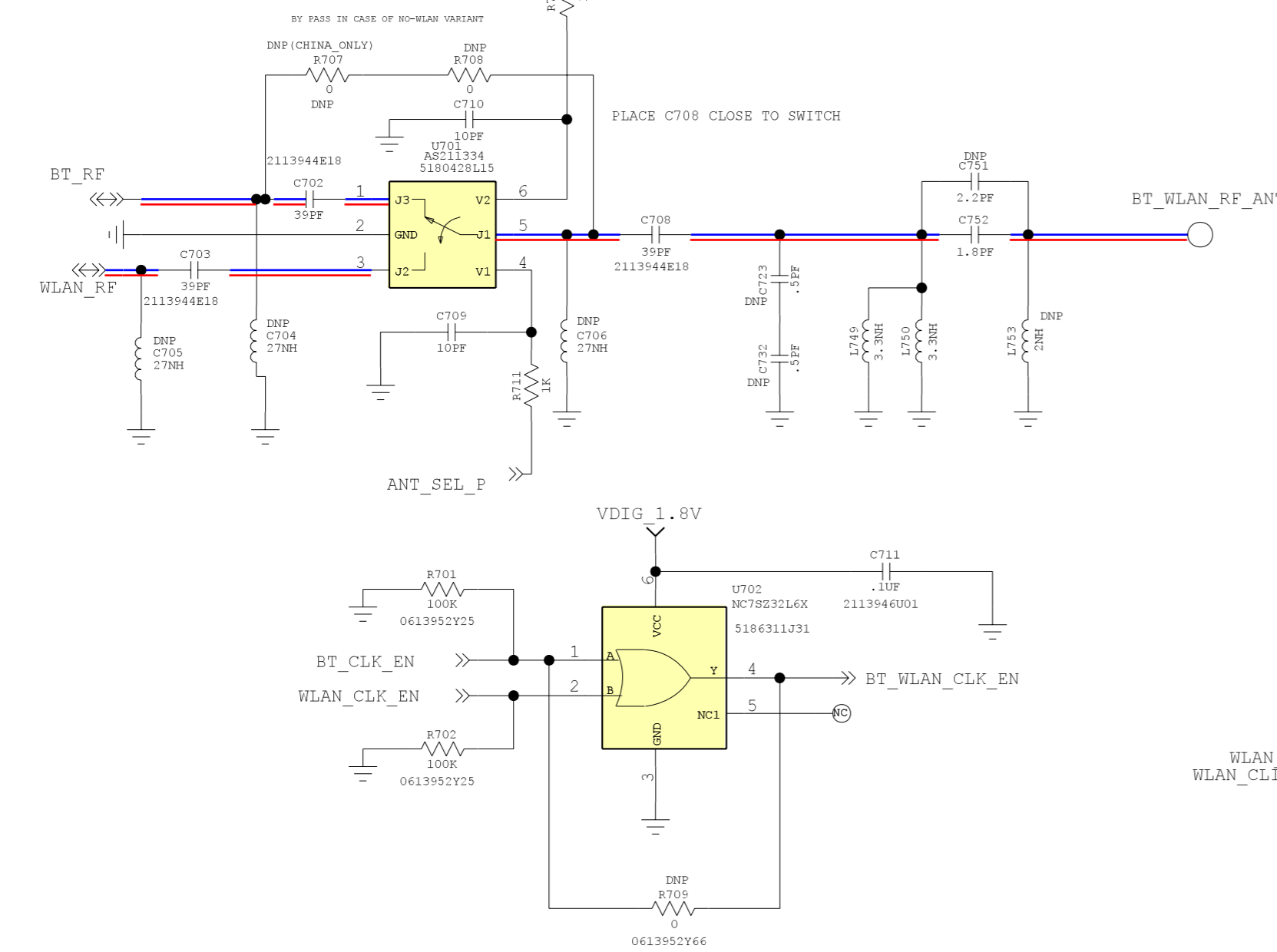
ZN5_8403634P10



BCM2048 MODULE SOLUTION, BASED ON AMK MODULE 4870370A88



MARVELL 88W8686 MODULE 5189447N07



ZN5_8403634P10