

# CALLISTO\_B

SYSTEM 4.0  
04-S28-2014  
05/11/15

REVISIONS				
ZONE	LTR	DESCRIPTION	DATE	APPROVED

D

D

C

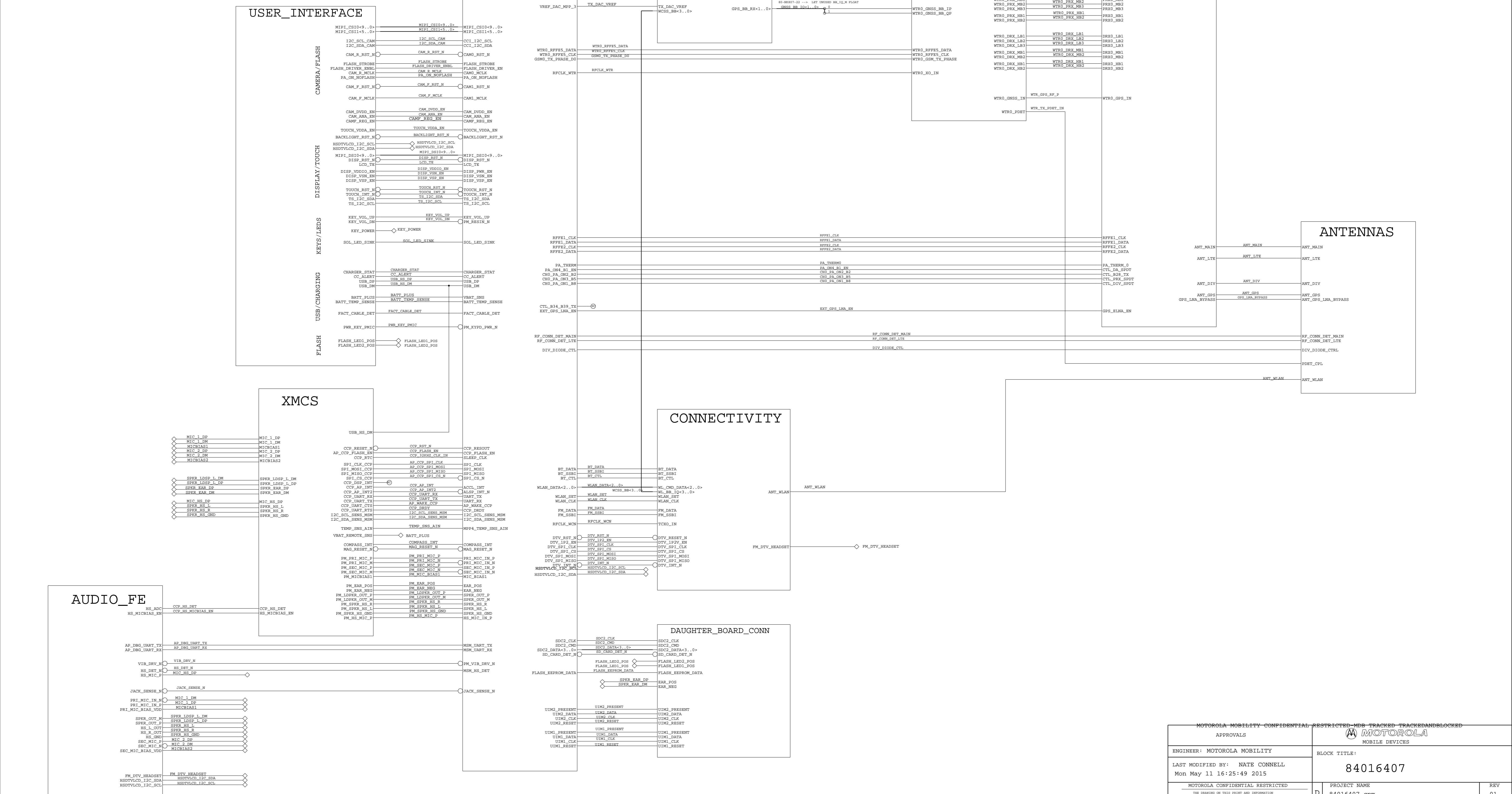
C

B

B

A

A

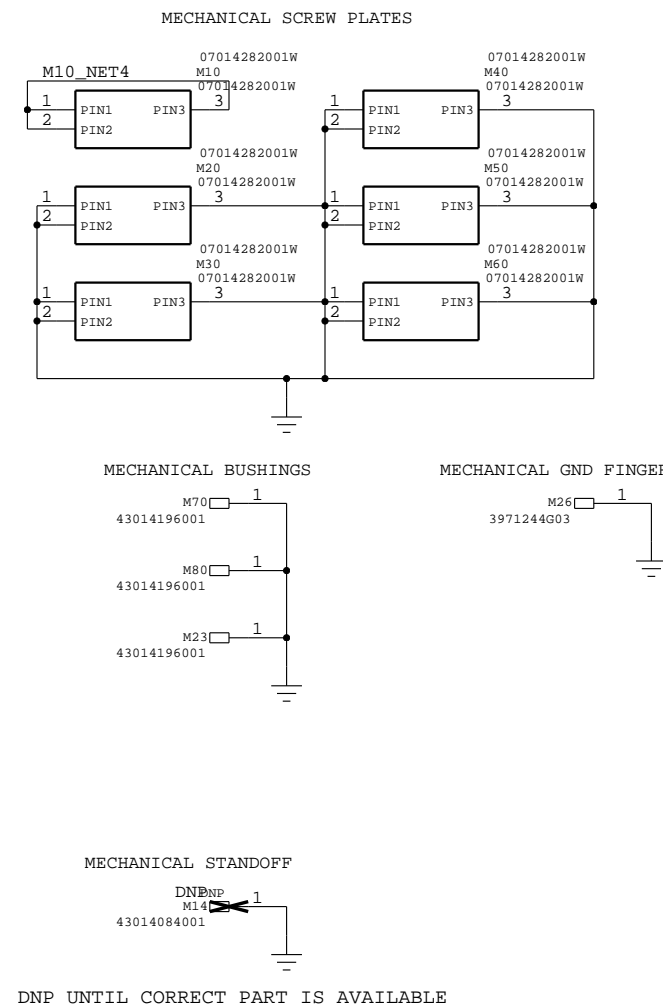
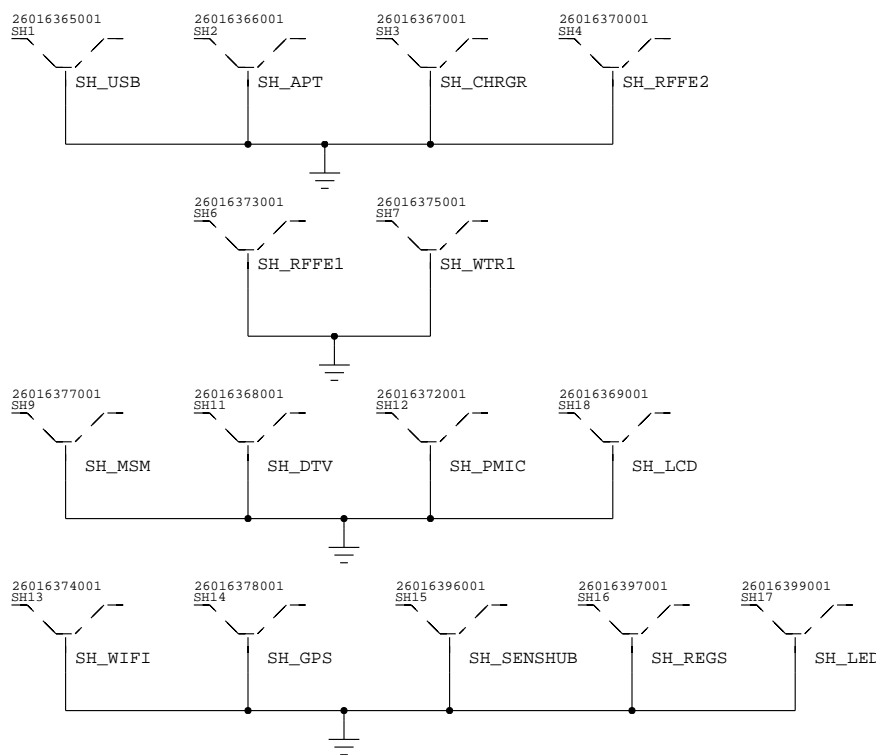


MOTOROLA MOBILITY CONFIDENTIAL RESTRICTED MDP TRACKED TRACKED UNBLOCKED			
APPROVALS		MOTOROLA MOBILE DEVICES	
ENGINEER: MOTOROLA MOBILITY		BLOCK TITLE: <b>84016407</b>	
LAST MODIFIED BY: NATE CONNELL Mon May 11 16:25:49 2015		PROJECT NAME: 84016407.cpm	
MOTOROLA CONFIDENTIAL RESTRICTED		PROJECT NAME: 84016407.cpm	REV 01
THE DRAWING OF THIS PRINT AND INFORMATION THEREON ARE PROPRIETARY TO MOTOROLA AND SHALL NOT BE USED OR DISCLOSED IN WHOLE OR IN PART WITHOUT MOTOROLA'S CONSENT. © COPYRIGHT, MOTOROLA. THIS DOES NOT IMPLY PUBLICATION			
CAD FILE NAME:			PAGE 1 OF 47

# CALLISTO A ME/SHIELDS

## CALLISTO REFERENCE DESIGNATOR RANGES BY BLOCK

- 000 - 499: ANTENNA
- 500 - 599: USER INPUT
- 600 - 799: POWER
- 1000-2999:
- 1600-1699: MEMORY
- 2000-2999: PM8916
- 3000-3199: WTR4905
- 4000-4499: CONNECTIVITY
- 4500-4999: AUDIO FE
- 5300-5399: DISPLAY
- 5500-5999: CAMERA
- 6000-6999: XMCS
- 7000-7799, 8000-8020: RFFE
- 7800-7899:
- 9000-9999: PRODUCT-SPECIFIC (FILTERING, 100PF CAPS)



DNP UNTIL CORRECT PART IS AVAILABLE

MOTOROLA MOBILITY CONFIDENTIAL RESTRICTED-MDB TRACKED TRACKEDANDBLOCKED

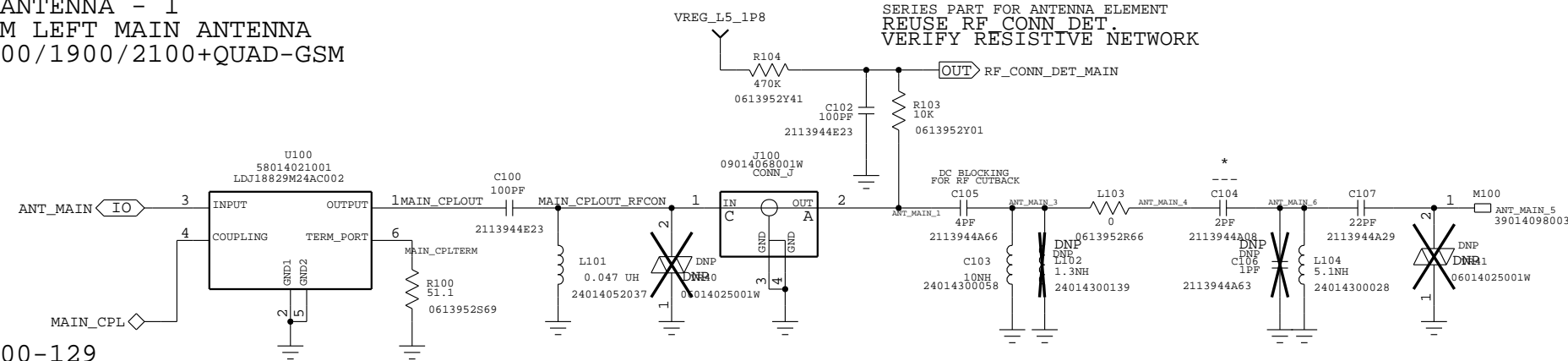
APPROVALS		<b>MOTOROLA</b> MOBILE DEVICES	
ENGINEER:		BLOCK TITLE:	
LAST MODIFIED BY: Mon May 11 16:30:05 2015		84016407	
MOTOROLA CONFIDENTIAL RESTRICTED THE DRAWING ON THIS PRINT AND INFORMATION THEREWITH ARE PROPRIETARY TO MOTOROLA AND SHALL NOT BE USED OR DISCUSSED IN WHOLE OR IN PART WITHOUT MOTOROLA'S CONSENT. © COPYRIGHT, MOTOROLA. THIS DOES NOT IMPLY PUBLICATION		PROJECT NAME	REV
		B 84016407.cpm	01
CAD FILE NAME:		PAGE 2 OF 47	

# ANTENNAS

REF 000-499

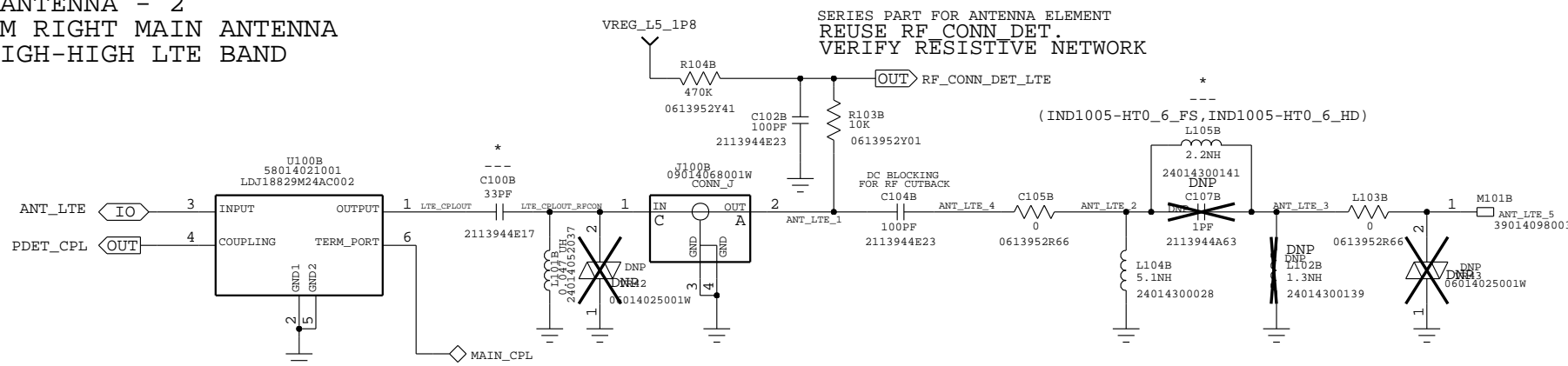
REVISIONS				
REV	ECN	DESCRIPTION	MADE BY	APPROVED

MAIN ANTENNA - 1  
BOTTOM LEFT MAIN ANTENNA  
850/900/1900/2100+QUAD-GSM



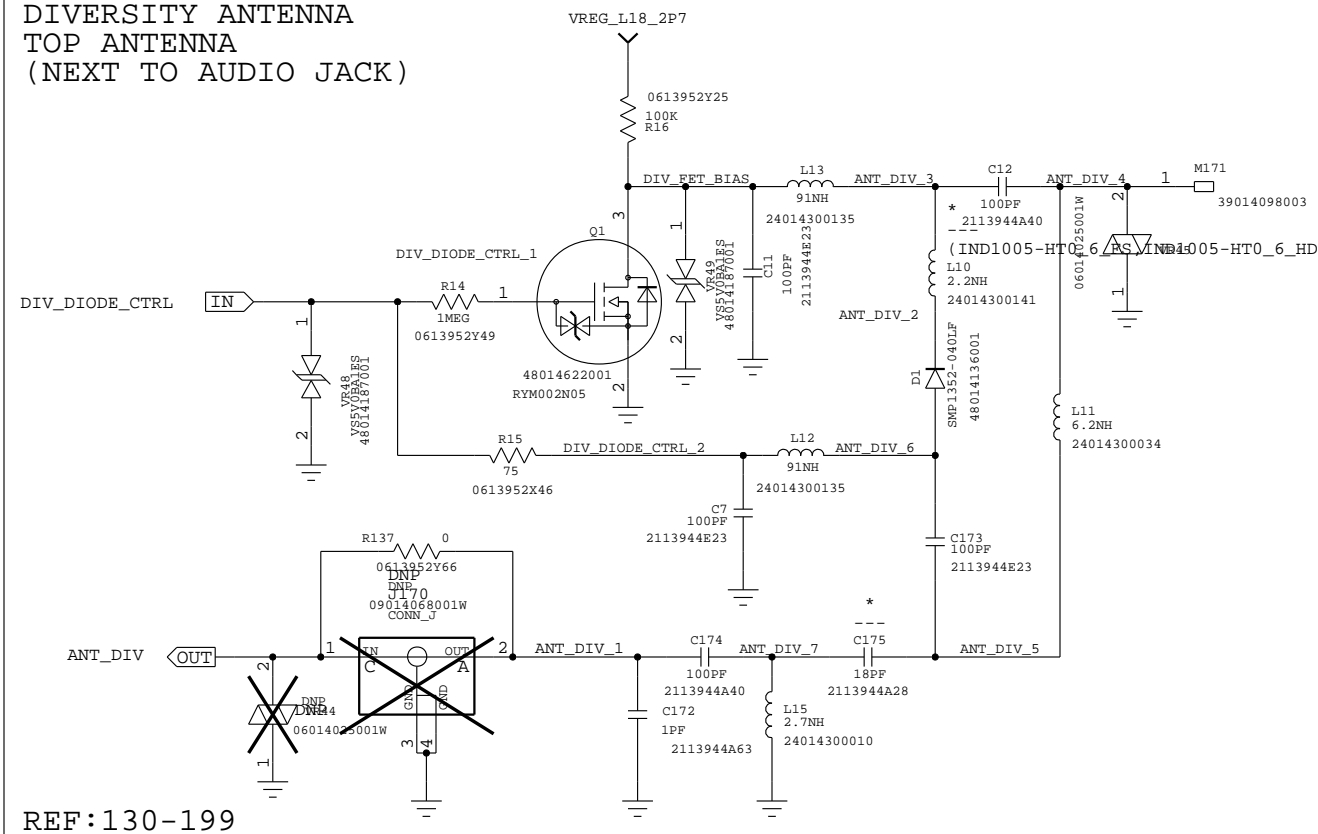
REF:100-129

MAIN ANTENNA - 2  
BOTTOM RIGHT MAIN ANTENNA  
LOW/HIGH-HIGH LTE BAND

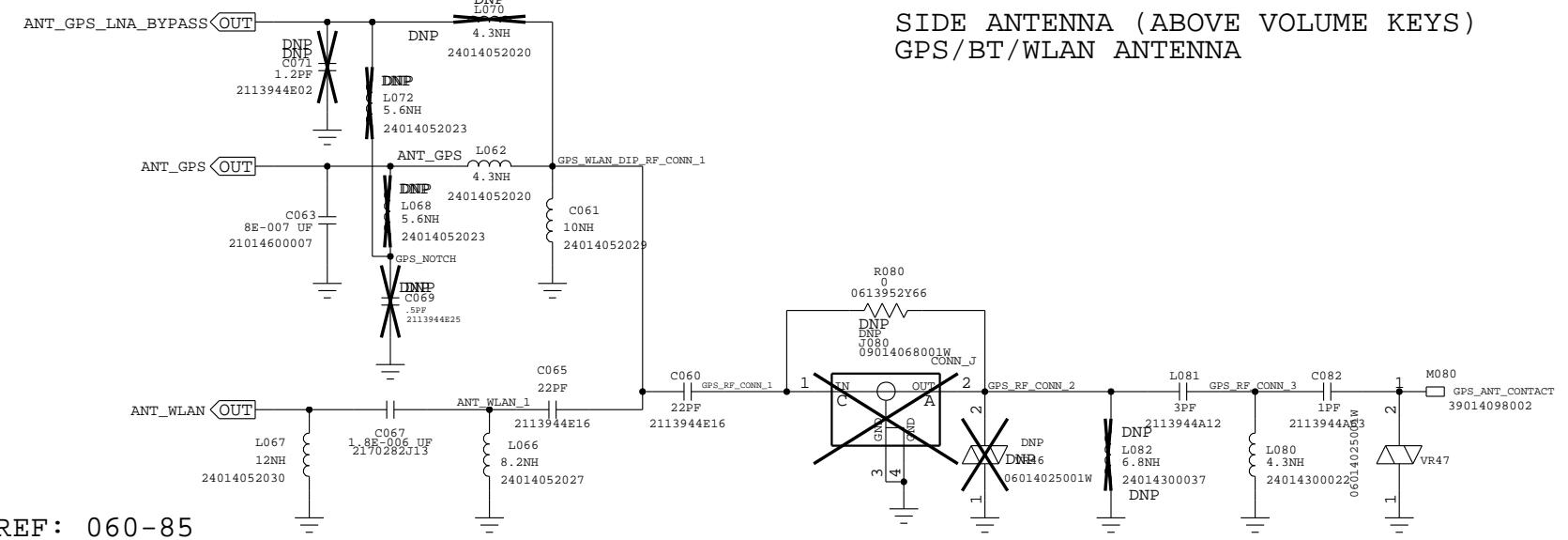


REF:100B-129B

DIVERSITY ANTENNA  
TOP ANTENNA  
(NEXT TO AUDIO JACK)



REF:130-199



REF: 060-85

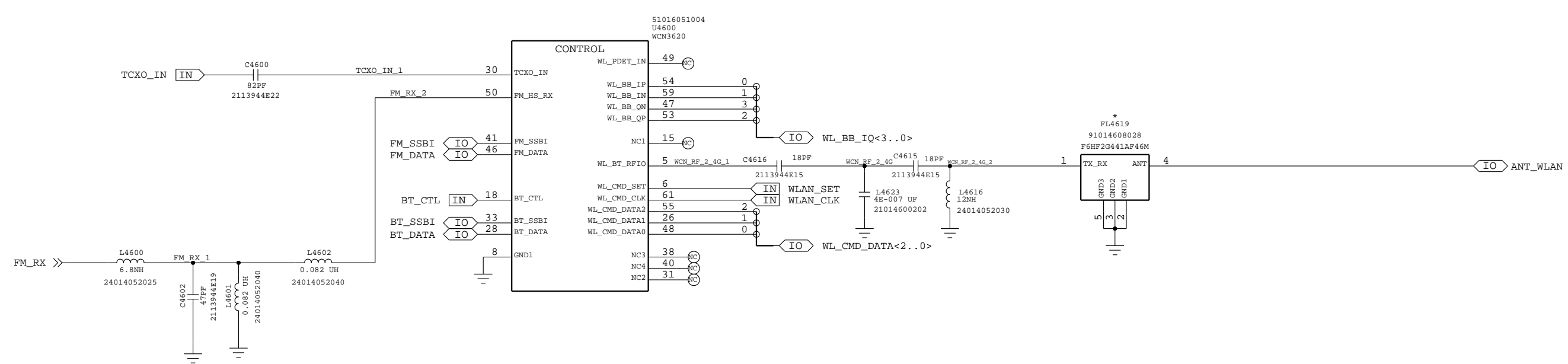
SIDE ANTENNA (ABOVE VOLUME KEYS)  
GPS/BT/WLAN ANTENNA

LAST MODIFIED: Mon May 11 16:30:19 2015

DRAWING NUMBER: <b>84</b>			
DRAWN BY:	DATE:	TITLE:	REV 01
LEAD ENGINEER:	DATE:		SIZE B
ASSY NUMBER:	PCB FILE NAME:	PAGE 3 OF 47	

# WCN3620 RF/CTRL

REF 4600-4699

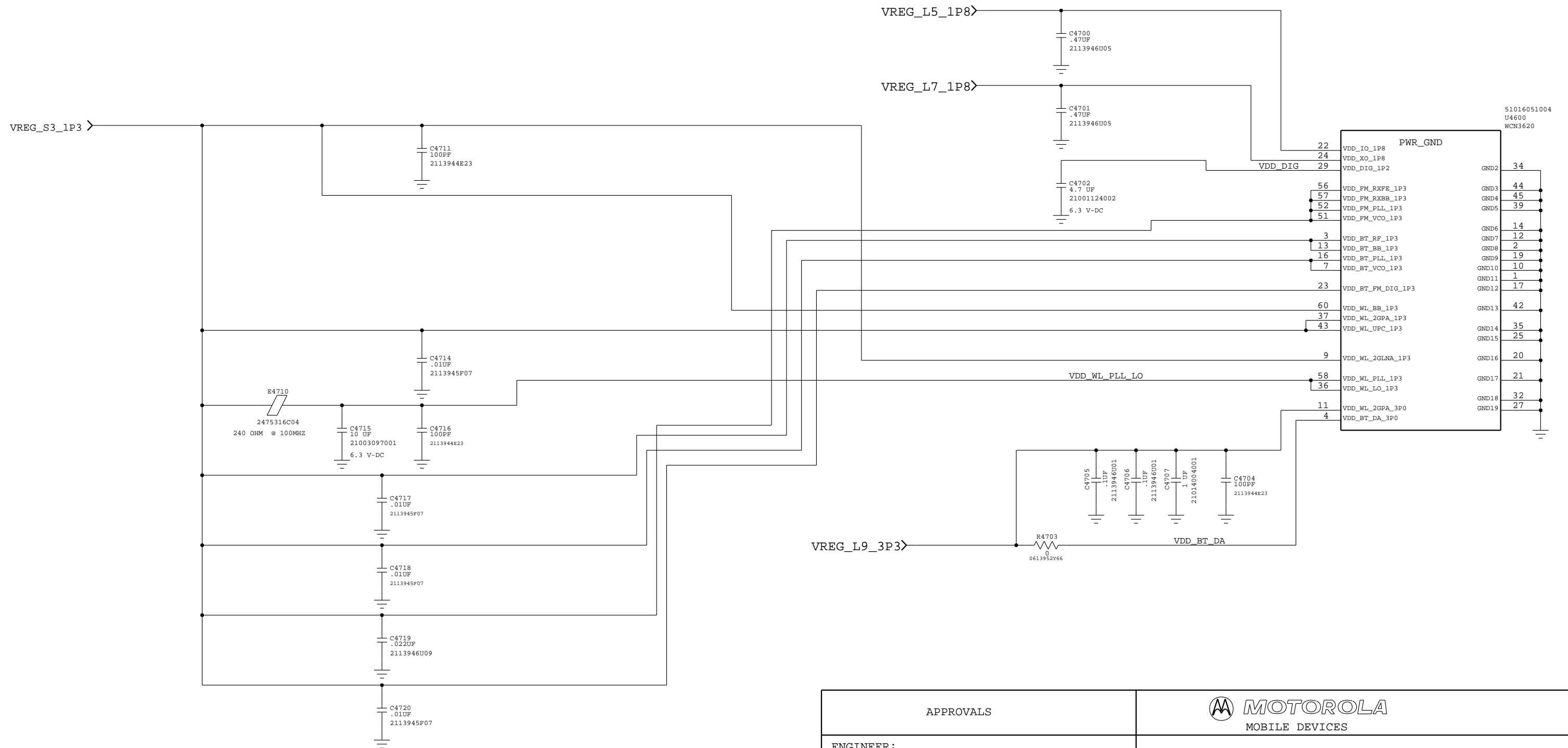


BASED ON 80-WL006-44 REV C

APPROVALS		<b>MOTOROLA</b> MOBILE DEVICES	
ENGINEER :		BLOCK TITLE :	
LAST MODIFIED BY: FROEHLING Mon May 11 16:30:21 2015		connectivity	
MOTOROLA CONFIDENTIAL RESTRICTED <small>THE DRAWING ON THIS PRINT AND INFORMATION THEREWITH ARE PROPRIETARY TO MOTOROLA AND SHALL NOT BE USED OR DISCUSSED IN WHOLE OR IN PART WITHOUT MOTOROLA'S CONSENT. © COPYRIGHT, MOTOROLA. THIS DOES NOT IMPLY PUBLICATION</small>		PROJECT NAME B 84016407.cpm	REV 01
		CAD FILE NAME :	PAGE 4 OF 47

# WCN3620 POWER

REF 4700-4749

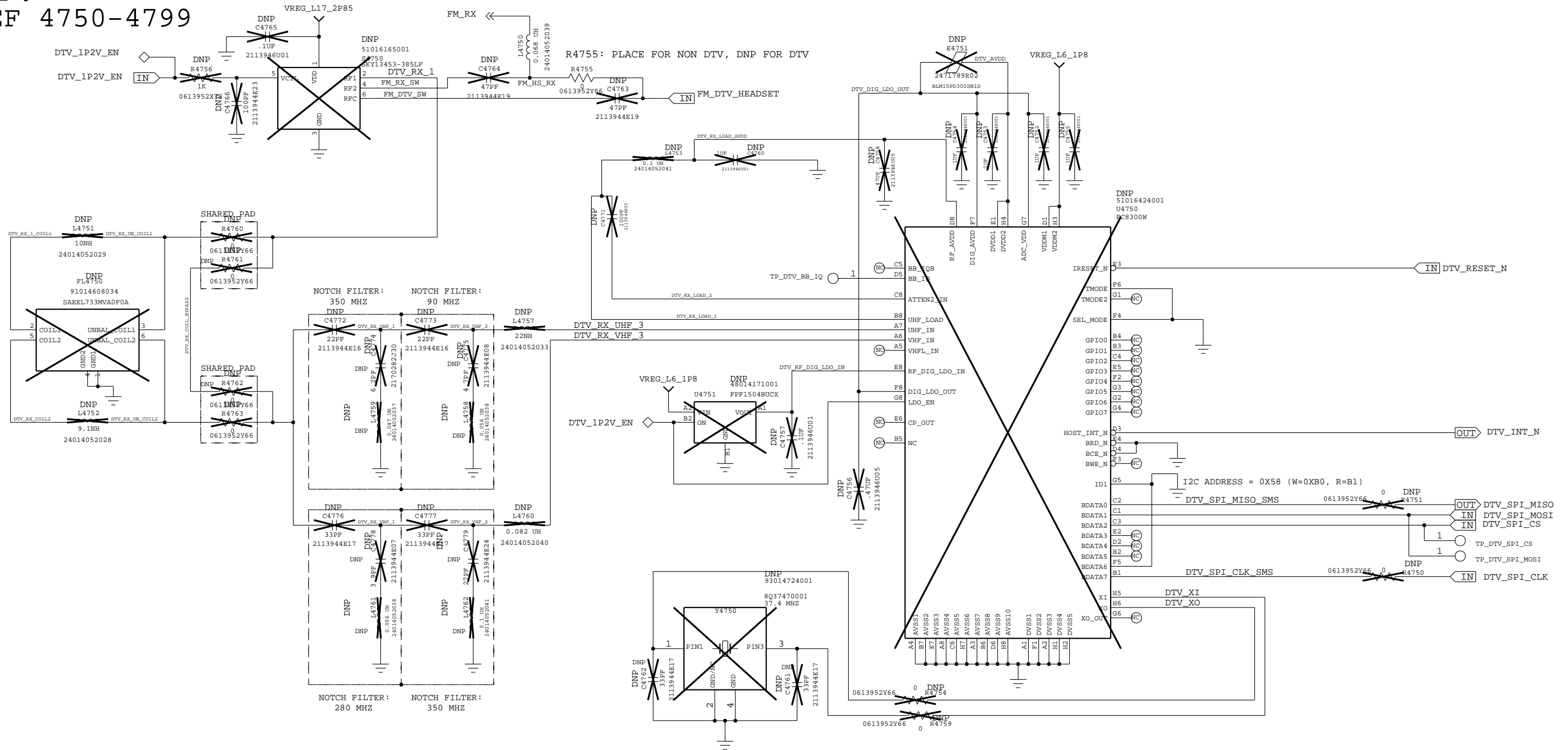


BASED ON 80-WL006-44 REV C

APPROVALS		<b>MOTOROLA</b> MOBILE DEVICES	
ENGINEER :		BLOCK TITLE :	
LAST MODIFIED BY: FROEHLING Mon May 11 16:30:23 2015		connectivity	
MOTOROLA CONFIDENTIAL RESTRICTED <small>THE DRAWING ON THIS PRINT AND INFORMATION THEREWITH ARE PROPRIETARY TO MOTOROLA AND SHALL NOT BE USED OR DISCUSSED IN WHOLE OR IN PART WITHOUT MOTOROLA'S CONSENT. © COPYRIGHT, MOTOROLA. THIS DOES NOT IMPLY PUBLICATION</small>		PROJECT NAME B 84016407.cpm	REV 01
		CAD FILE NAME :	PAGE 5 OF 47

# DTV

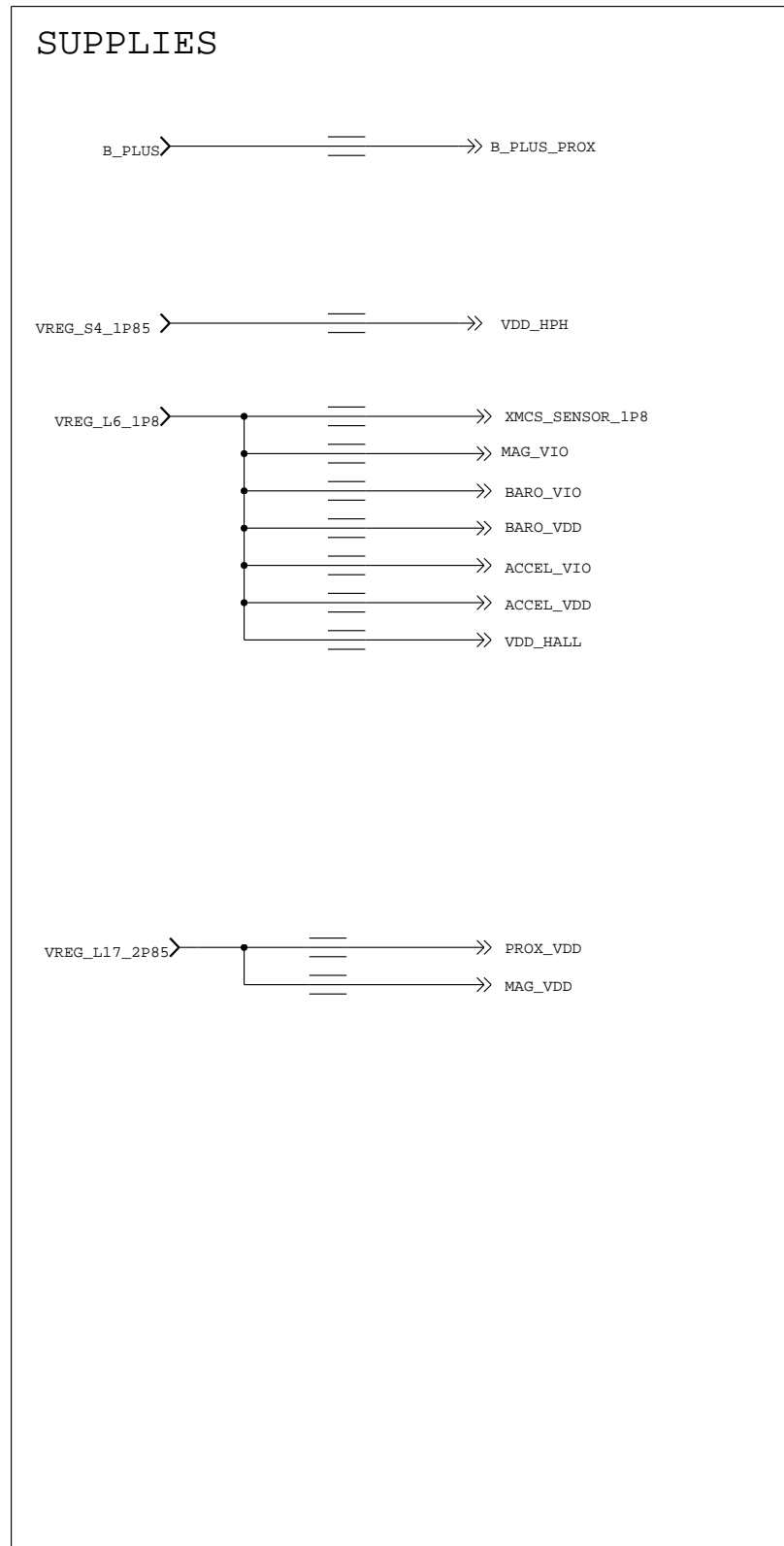
## REF 4750-4799



APPROVALS		<b>MOTOROLA</b> MOBILE DEVICES	
ENGINEER :		BLOCK TITLE :	
LAST MODIFIED BY: GSHIMON Mon May 11 16:30:21 2015		<b>connectivity</b>	
MOTOROLA CONFIDENTIAL RESTRICTED		PROJECT NAME	REV
THE DRAWING ON THIS PRINT AND INFORMATION THEREWITH ARE PROPRIETARY TO MOTOROLA AND SHALL NOT BE USED OR DISCUSSED IN WHOLE OR IN PART WITHOUT MOTOROLA'S CONSENT. © COPYRIGHT, MOTOROLA. THIS DOES NOT IMPLY PUBLICATION		B 84016407.cpm	01
		CAD FILE NAME :	
		PAGE 6 OF 47	

# XMCS: POWER

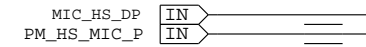
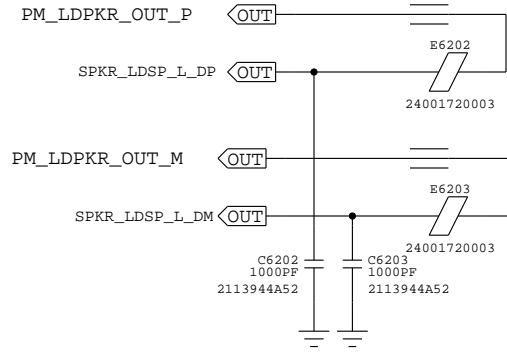
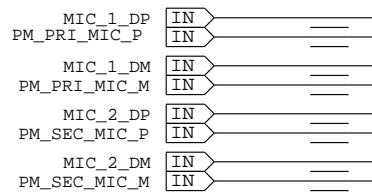
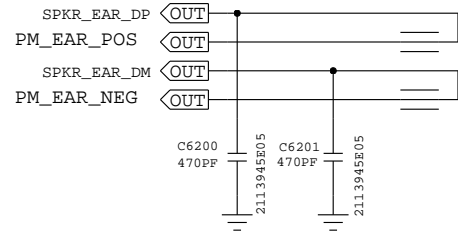
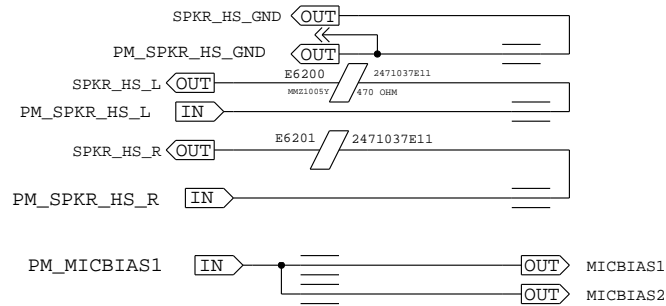
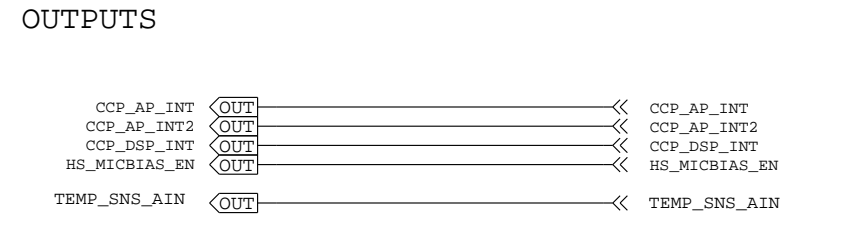
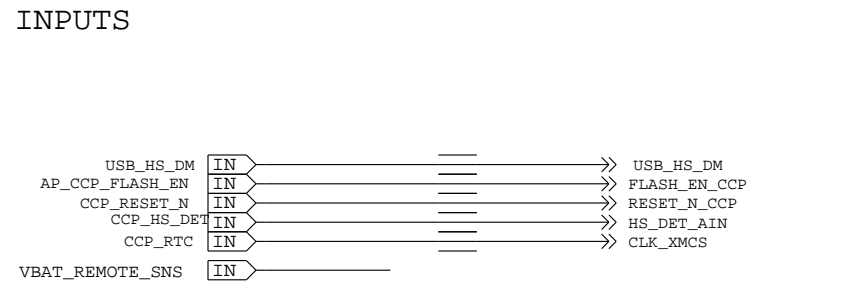
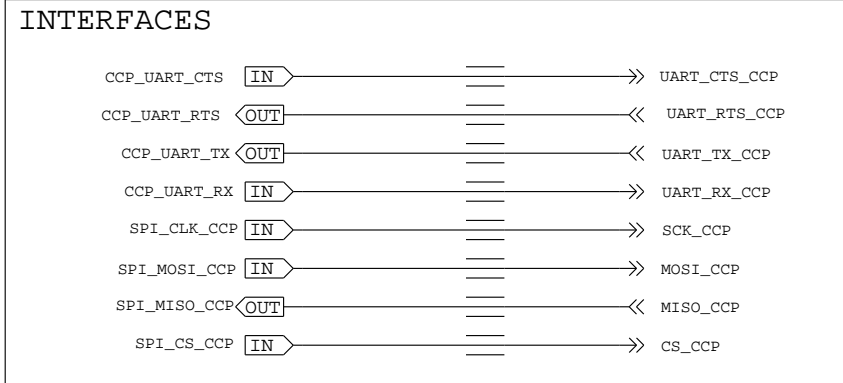
REF 6000-6999



APPROVALS		<b>MOTOROLA</b> MOBILE DEVICES	
ENGINEER: NATE CONNELL		BLOCK TITLE:	
LAST MODIFIED BY: NATE CONNELL Tue Apr 28 15:20:31 2015		<b>xmcs</b>	
MOTOROLA CONFIDENTIAL RESTRICTED <small>THE DRAWING ON THIS PRINT AND INFORMATION          THEREWITH ARE PROPRIETARY TO MOTOROLA AND          SHALL NOT BE USED OR DISCUSSED IN WHOLE          OR IN PART WITHOUT MOTOROLA'S CONSENT.          © COPYRIGHT, MOTOROLA. THIS DOES          NOT IMPLY PUBLICATION</small>		PROJECT NAME B 84016407.cpm	REV 01
CAD FILE NAME:			PAGE 7 OF 47

# XMCS : PORTS

REF 6000-6999

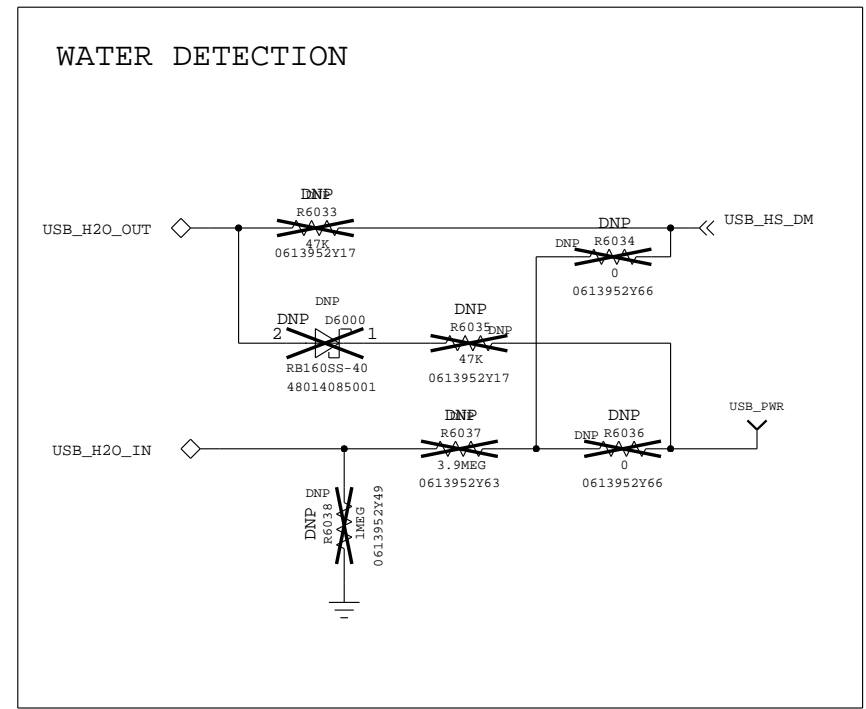
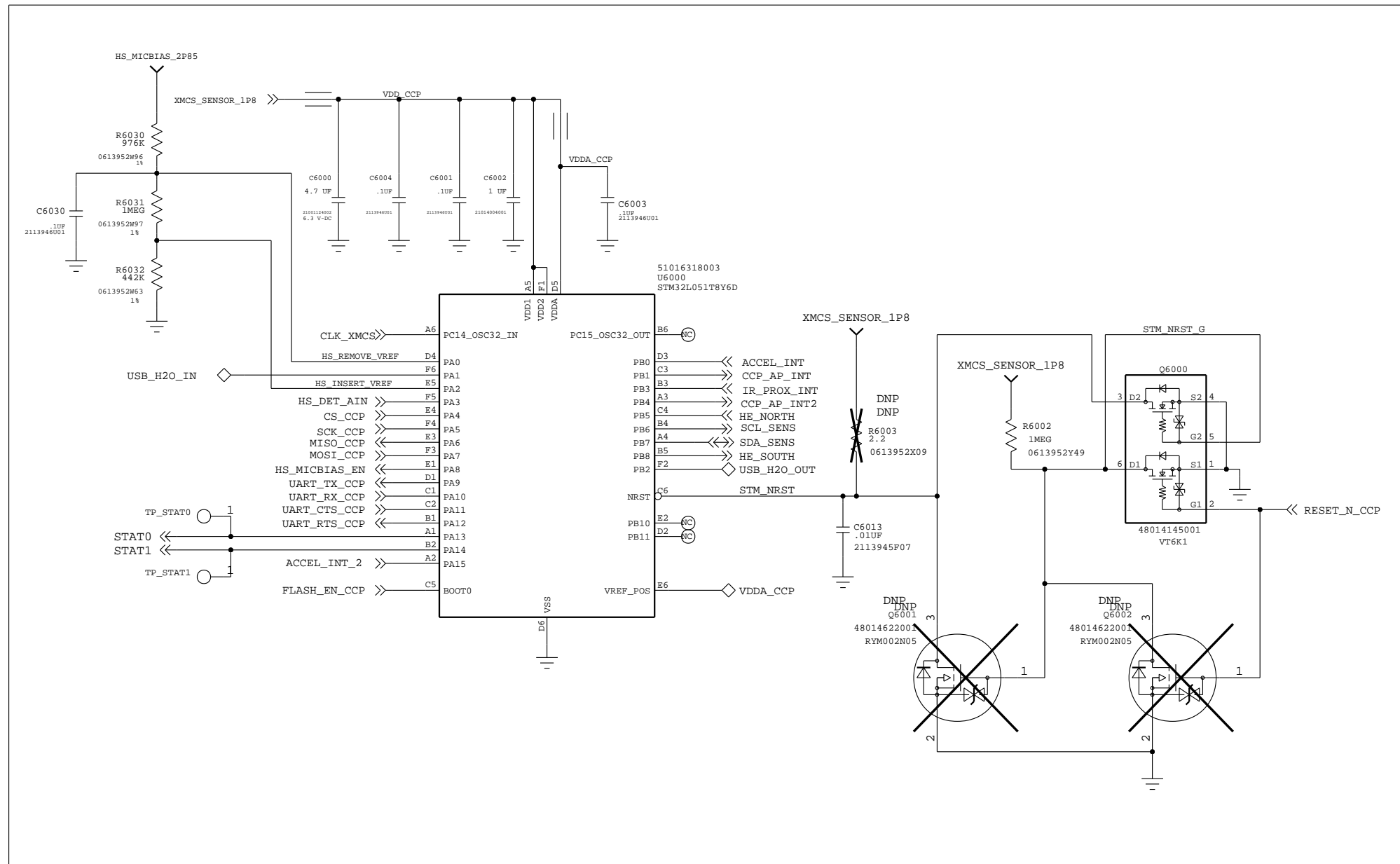


APPROVALS		<b>MOTOROLA</b> MOBILE DEVICES	
ENGINEER: RAUL LOPEZ		BLOCK TITLE:	
LAST MODIFIED BY: NATE CONNELL Mon May 11 16:30:26 2015		<b>xmcs</b>	
MOTOROLA CONFIDENTIAL RESTRICTED <small>THE DRAWING ON THIS PRINT AND INFORMATION THEREWITH ARE PROPRIETARY TO MOTOROLA AND SHALL NOT BE USED OR DISCUSSED IN WHOLE OR IN PART WITHOUT MOTOROLA'S CONSENT. © COPYRIGHT, MOTOROLA. THIS DOES NOT IMPLY PUBLICATION</small>		B	PROJECT NAME 84016407.cpm
			REV 01
		CAD FILE NAME:	
		PAGE 8 OF 47	

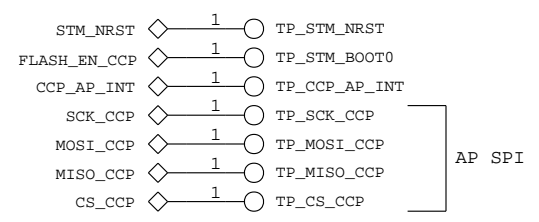


# XMCS: CCP

REF: 6000-6049



## TESTPOINTS



MOTOROLA MOBILITY CONFIDENTIAL RESTRICTED-MDB TRACKED TRACKEDANDBLOCKED

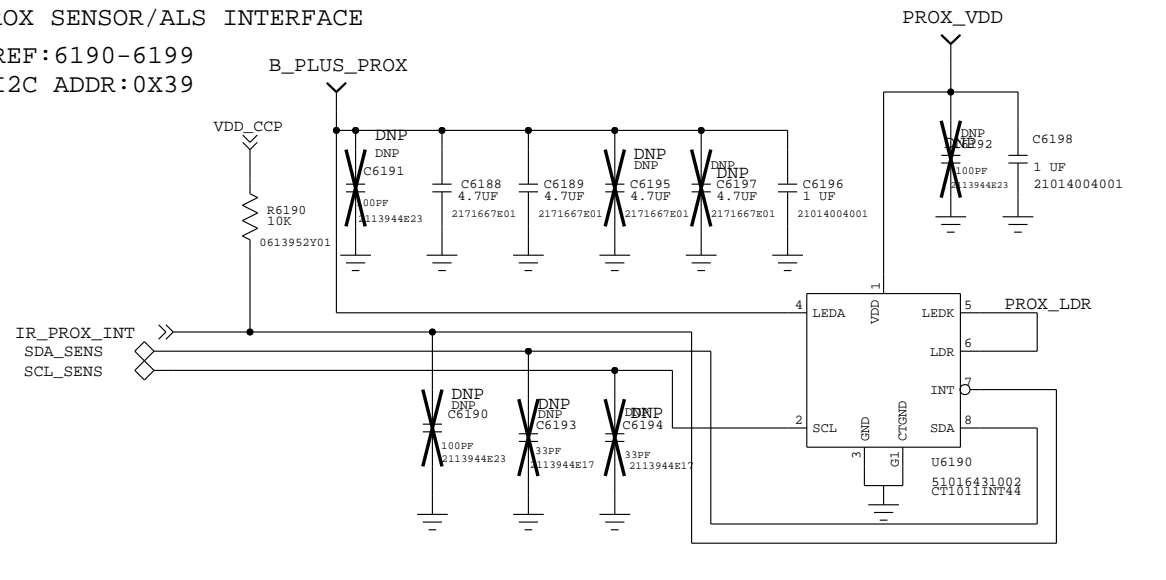
APPROVALS		 <b>MOTOROLA</b> MOBILE DEVICES	
ENGINEER: JOHN GORSICA		BLOCK TITLE:	
LAST MODIFIED BY: NATE CONNELL Mon May 11 16:30:24 2015		<b>xmcs</b>	
MOTOROLA CONFIDENTIAL RESTRICTED		PROJECT NAME	REV
<small>THE DRAWING ON THIS PRINT AND INFORMATION THEREWITH ARE PROPRIETARY TO MOTOROLA AND SHALL NOT BE USED OR DISCUSSED IN WHOLE OR IN PART WITHOUT MOTOROLA'S CONSENT. © COPYRIGHT, MOTOROLA. THIS DOES NOT IMPLY PUBLICATION</small>		B 84016407.cpm	01
		CAD FILE NAME:	
		PAGE 9 OF 47	

# SENSORS

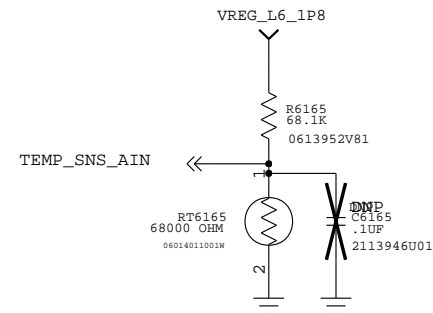
REF: 6100-6199

## PROX SENSOR/ALS INTERFACE

REF: 6190-6199  
I2C ADDR: 0X39

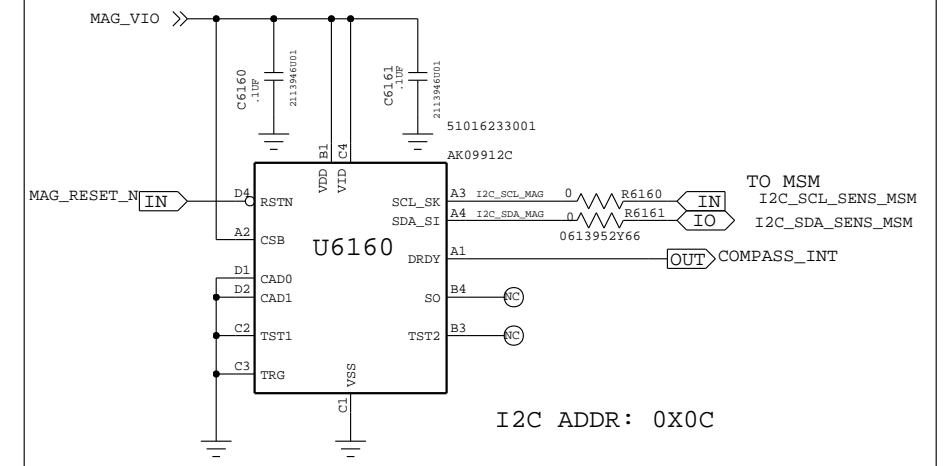


## BOARD TEMP SENSOR



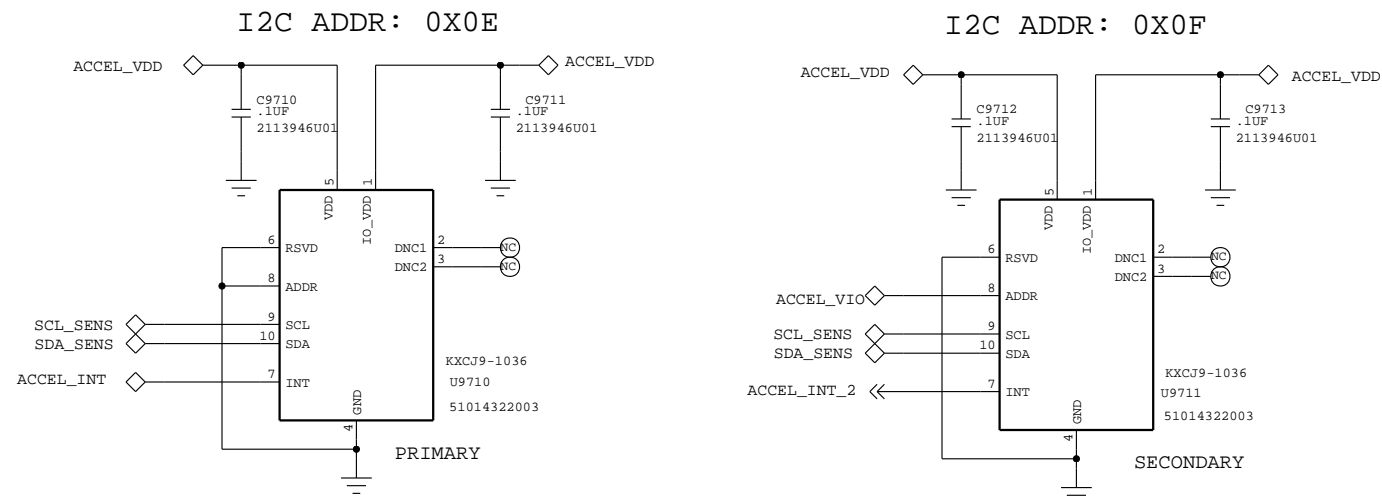
## MAGNETOMETER

REF: 6160-6169



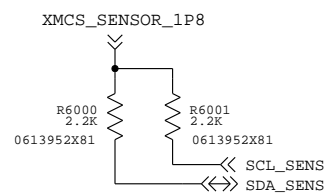
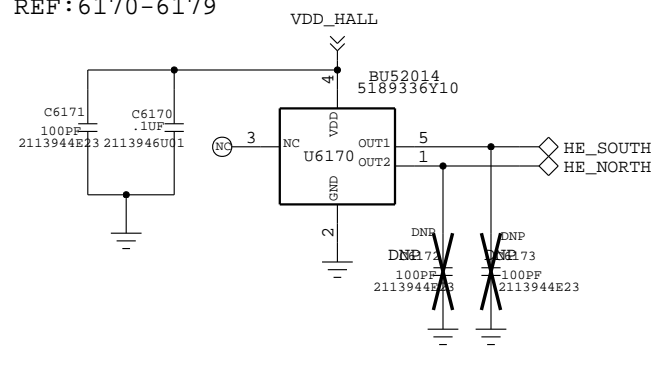
## ACCELEROMETER

REF: 9710-9719



## HALL EFFECT

REF: 6170-6179



JOHN GORSICA/NATE CONNELL  
APPROVALS



ENGINEER: C HERNANDEZ

BLOCK TITLE:

LAST MODIFIED BY: C HERNANDEZ  
Mon May 11 16:30:25 2015

**xmcs**

MOTOROLA CONFIDENTIAL RESTRICTED

B	PROJECT NAME	REV
	84016407.APRAGOOCHIE	01

THE DRAWING ON THIS PRINT AND INFORMATION  
THEREWITH ARE PROPRIETARY TO MOTOROLA AND  
SHALL NOT BE USED OR DISCUSSED IN WHOLE  
OR IN PART WITHOUT MOTOROLA'S CONSENT.  
© COPYRIGHT, MOTOROLA. THIS DOES  
NOT IMPLY PUBLICATION

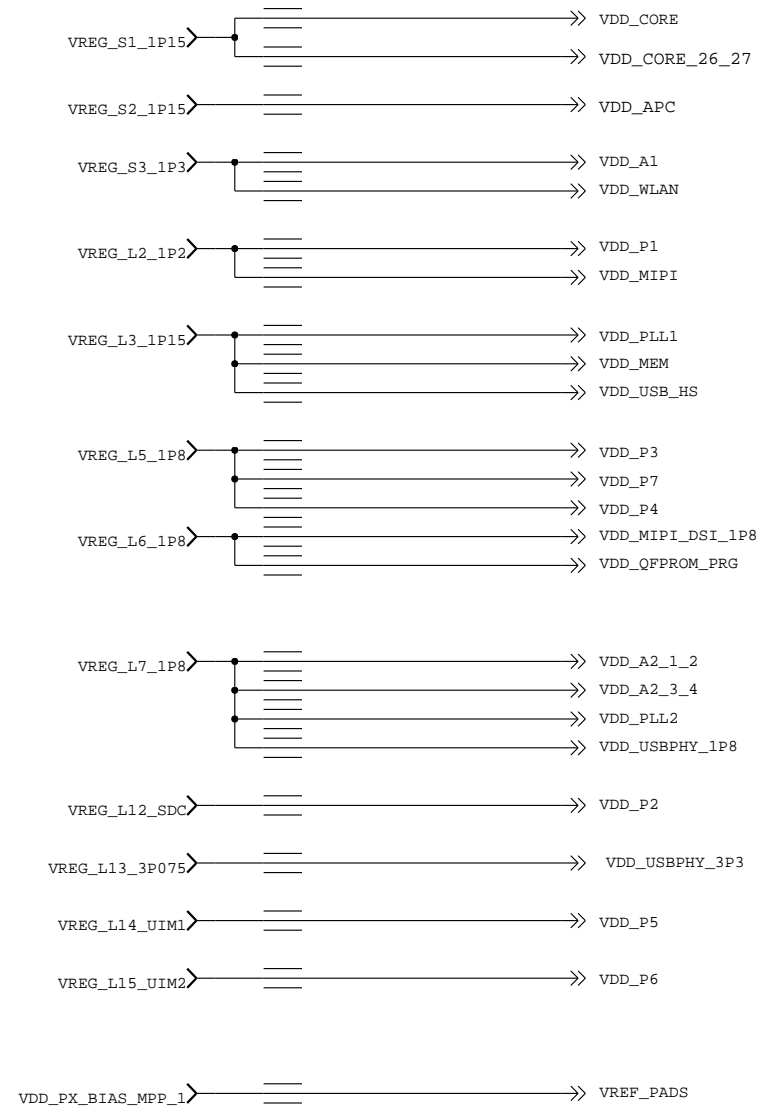
CAD FILE NAME:


PAGE 10 OF 47

# MSM: POWER

REF: 1000-1999

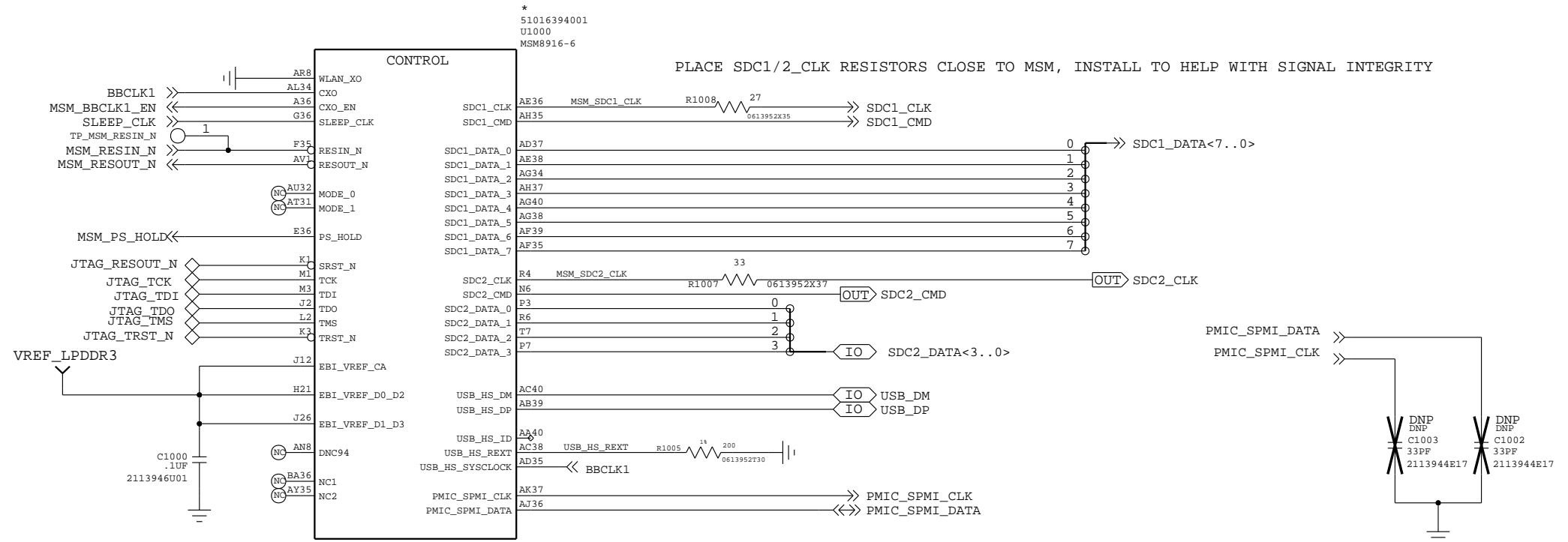
## SUPPLIES



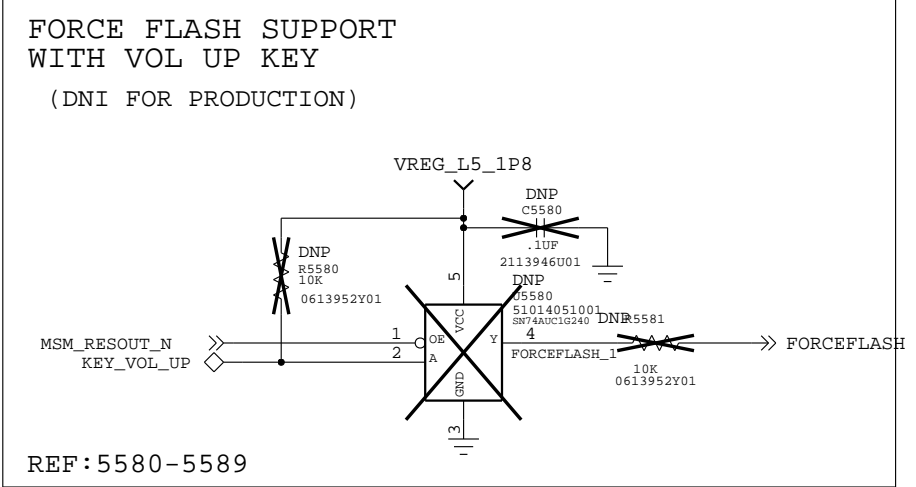
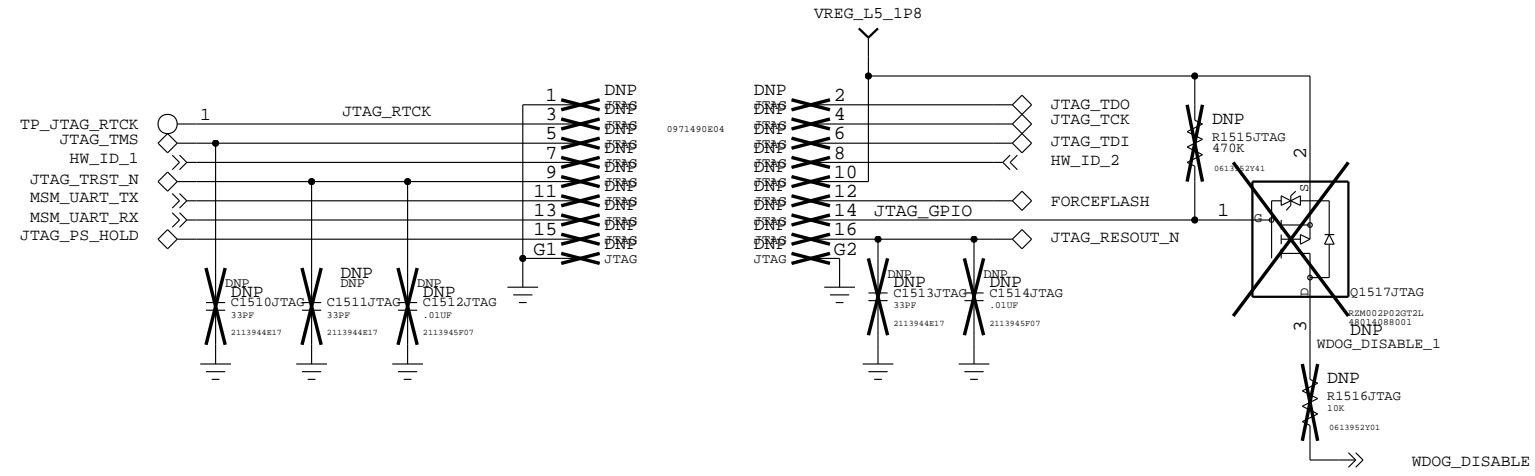
APPROVALS		 <b>MOTOROLA</b> MOBILE DEVICES	
ENGINEER: NATE CONNELL		BLOCK TITLE:	
LAST MODIFIED BY: NATE CONNELL Tue Apr 28 15:20:20 2015		ap_pmic	
MOTOROLA CONFIDENTIAL RESTRICTED <small>THE DRAWING ON THIS PRINT AND INFORMATION THEREWITH ARE PROPRIETARY TO MOTOROLA AND SHALL NOT BE USED OR DISCUSSED IN WHOLE OR IN PART WITHOUT MOTOROLA'S CONSENT.          © COPYRIGHT, MOTOROLA. THIS DOES NOT IMPLY PUBLICATION</small>		PROJECT NAME B 84016407.cpm	REV 01
CAD FILE NAME:			PAGE 11 OF 47

# MSM: CTRL

## REF 1000-1099



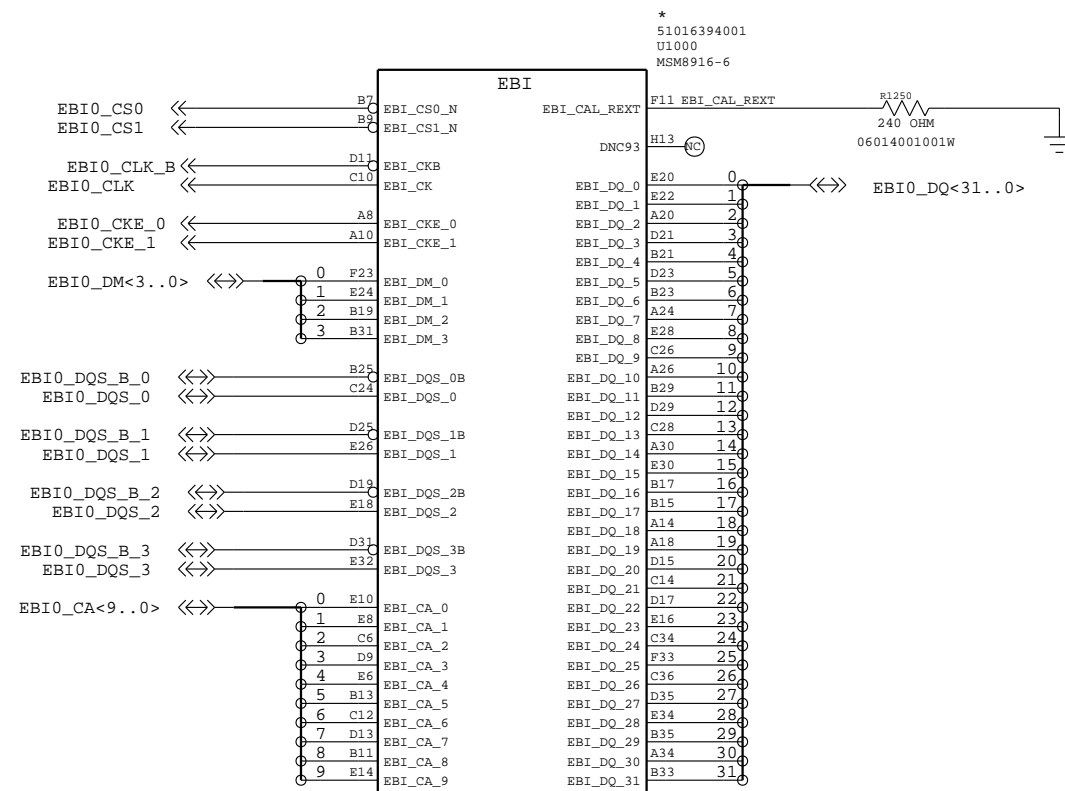
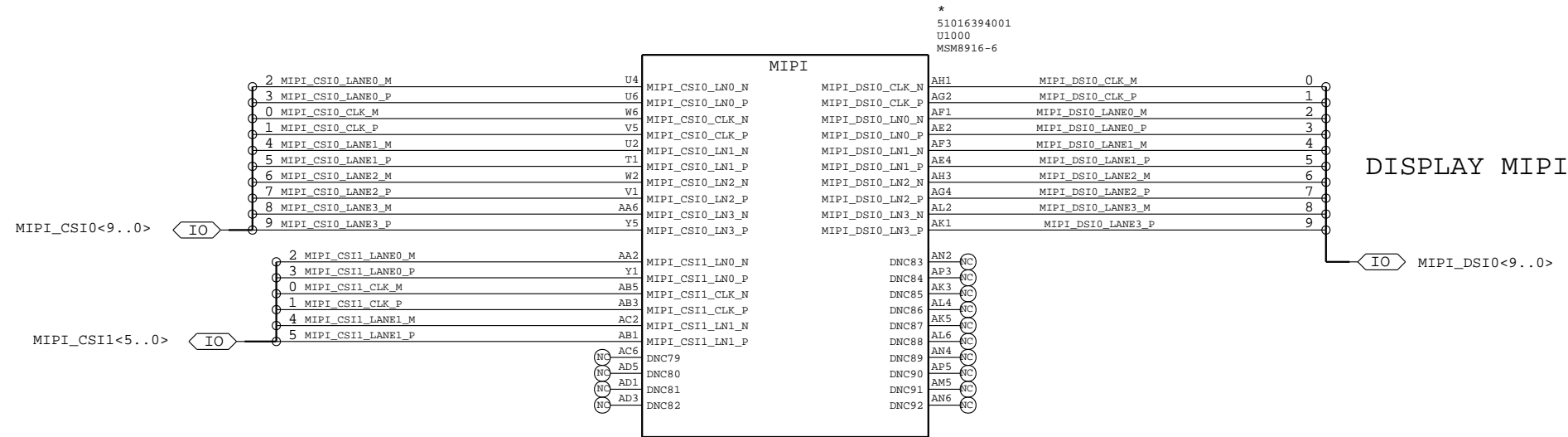
### JTAG:MINI



APPROVALS		<b>MOTOROLA</b> MOBILE DEVICES	
ENGINEER:		BLOCK TITLE:	
LAST MODIFIED BY: FAN021 Mon May 11 16:30:28 2015		ap_pmic	
MOTOROLA CONFIDENTIAL RESTRICTED <small>THE DRAWING ON THIS PRINT AND INFORMATION THEREWITH ARE PROPRIETARY TO MOTOROLA AND SHALL NOT BE USED OR DISCUSSED IN WHOLE OR IN PART WITHOUT MOTOROLA'S CONSENT. © COPYRIGHT, MOTOROLA. THIS DOES NOT IMPLY PUBLICATION</small>		PROJECT NAME	REV
		B 84016407.cpm	01
CAD FILE NAME:		PAGE 12 OF 47	

# MSM: MIPI/DSI/CSI/EBIO

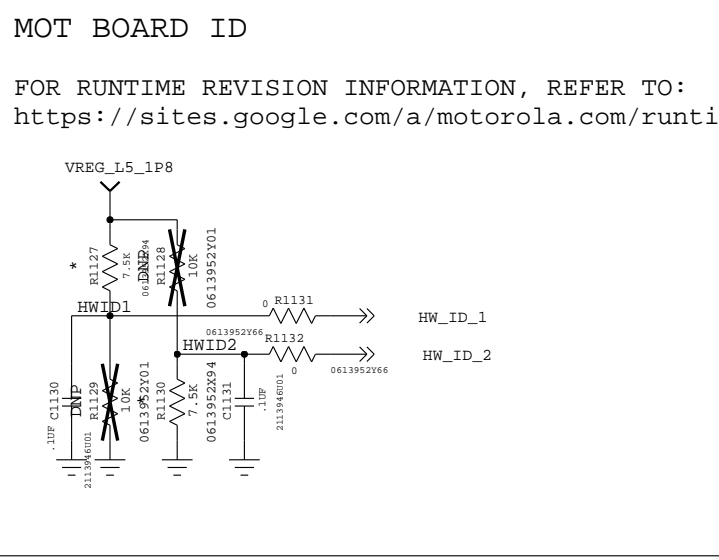
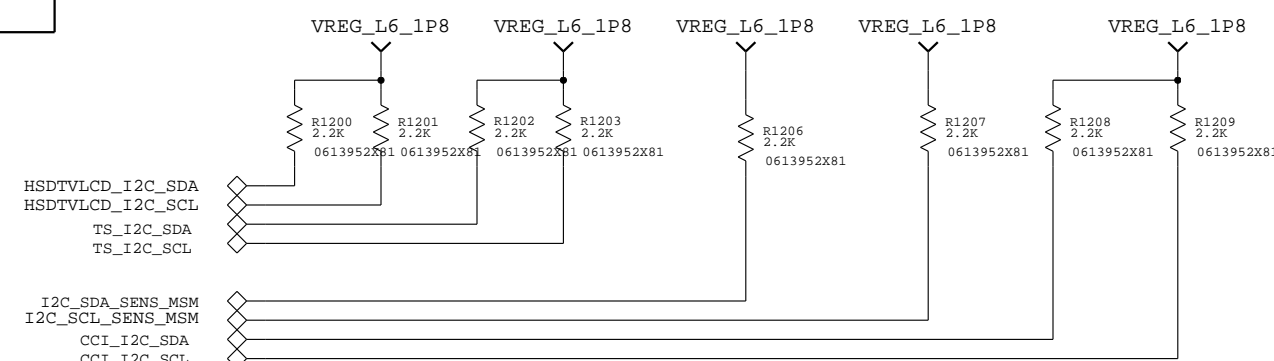
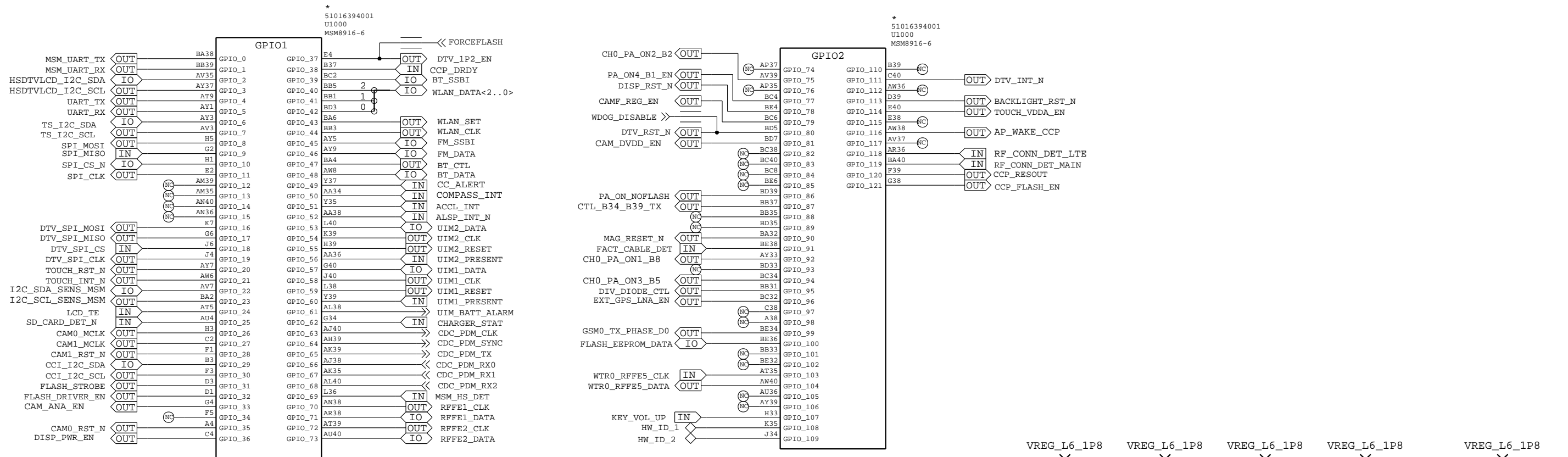
REF 1200-1299



APPROVALS		<b>MOTOROLA</b> MOBILE DEVICES	
ENGINEER:		BLOCK TITLE:	
LAST MODIFIED BY:		ap_pmic	
Mon May 11 16:30:40 2015			
MOTOROLA CONFIDENTIAL RESTRICTED		PROJECT NAME	
THE DRAWING ON THIS PRINT AND INFORMATION THEREWITH ARE PROPRIETARY TO MOTOROLA AND SHALL NOT BE USED OR DISCUSSED IN WHOLE OR IN PART WITHOUT MOTOROLA'S CONSENT. © COPYRIGHT, MOTOROLA. THIS DOES NOT IMPLY PUBLICATION		B 84016407.cpm	
		REV 01	
		CAD FILE NAME:	
		PAGE 13 OF 47	

# MSM: GPIO (0-101)

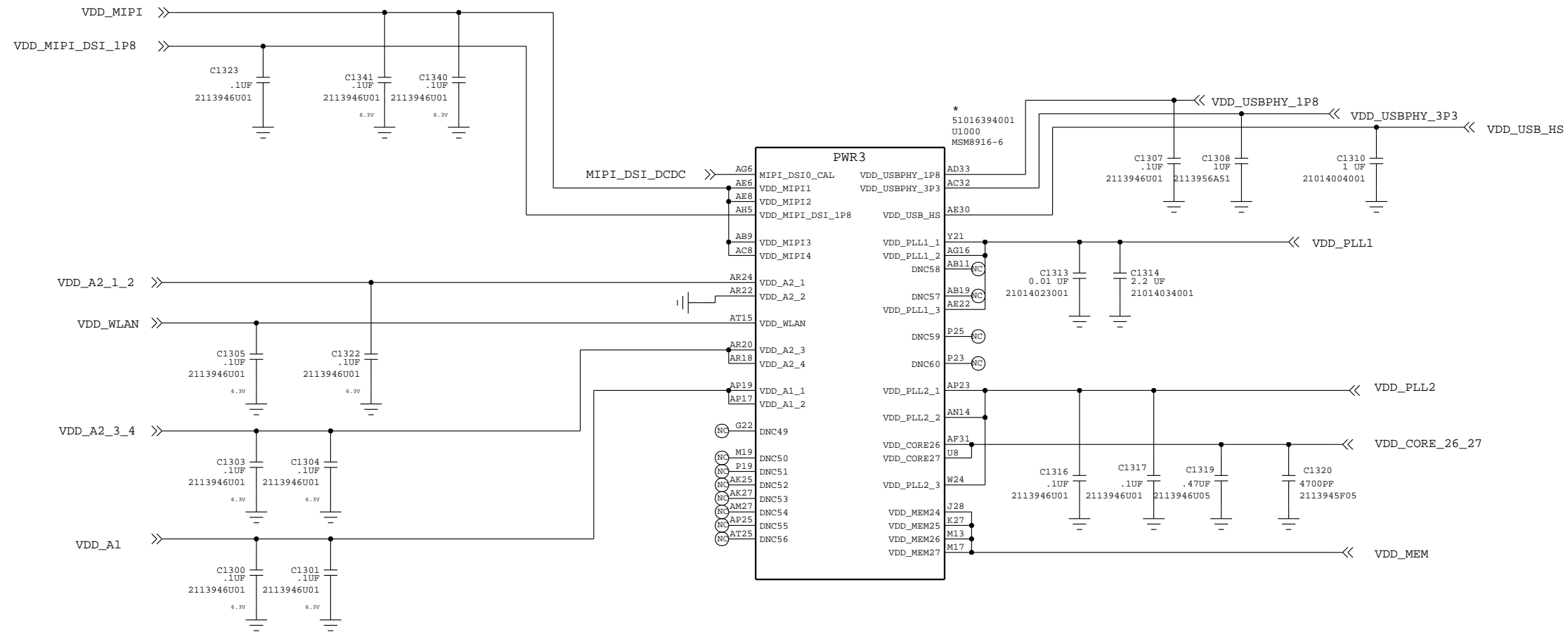
REF 1200-1299



APPROVALS		<b>MOTOROLA</b> MOBILE DEVICES	
ENGINEER:		BLOCK TITLE:	
LAST MODIFIED BY: FAN021 Mon May 11 16:30:30 2015		ap_pmic	
MOTOROLA CONFIDENTIAL RESTRICTED <small>THE DRAWING ON THIS PRINT AND INFORMATION THEREWITH ARE PROPRIETARY TO MOTOROLA AND SHALL NOT BE USED OR DISCUSSED IN WHOLE OR IN PART WITHOUT MOTOROLA'S CONSENT. © COPYRIGHT, MOTOROLA. THIS DOES NOT IMPLY PUBLICATION</small>		PROJECT NAME	REV
		B 84016407.cpm	01
CAD FILE NAME:		PAGE 14 OF 47	

# MSM: PWR1

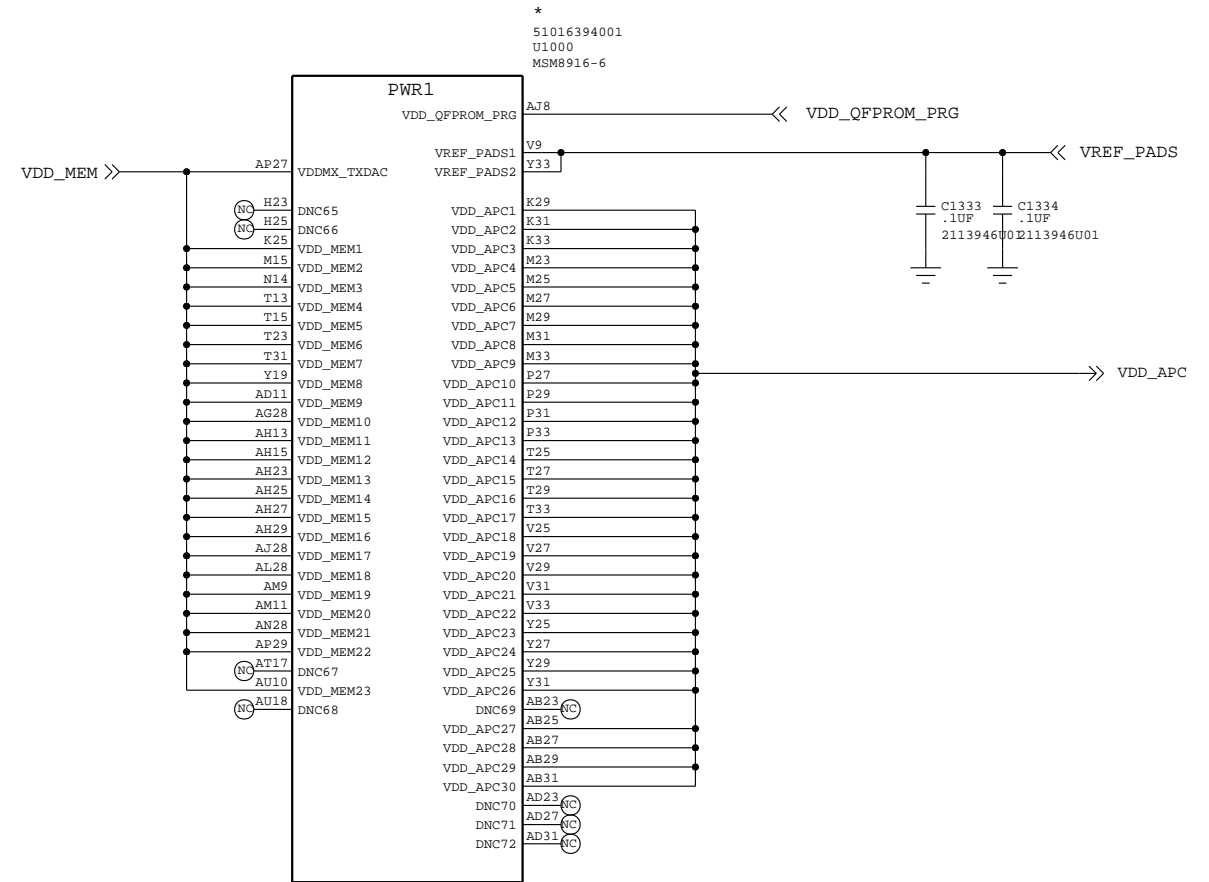
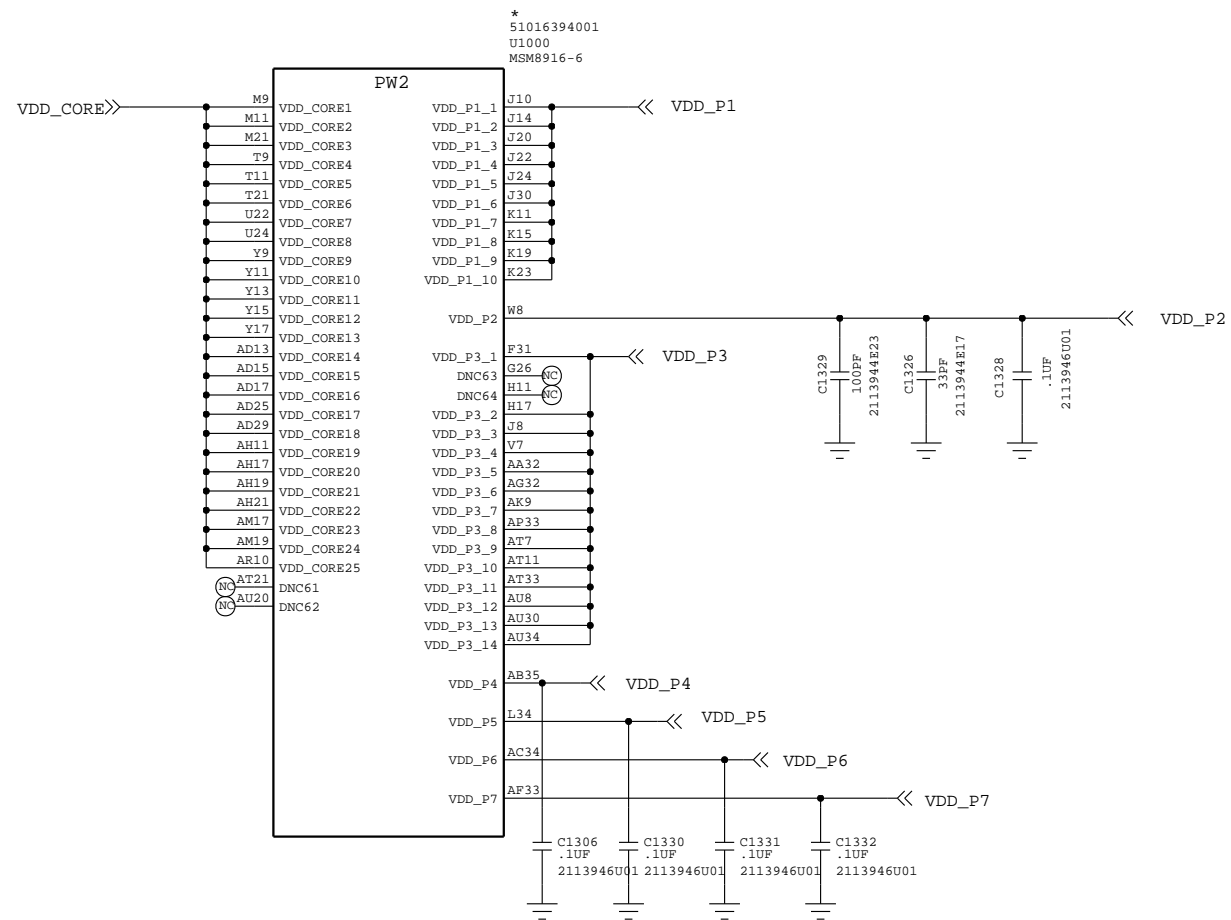
REF 1300-1399



APPROVALS		<b>MOTOROLA</b> MOBILE DEVICES	
ENGINEER :		BLOCK TITLE :	
LAST MODIFIED BY: FAN021 Mon May 11 16:30:32 2015		ap_pmic	
MOTOROLA CONFIDENTIAL RESTRICTED <small>THE DRAWING ON THIS PRINT AND INFORMATION THEREWITH ARE PROPRIETARY TO MOTOROLA AND SHALL NOT BE USED OR DISCUSSED IN WHOLE OR IN PART WITHOUT MOTOROLA'S CONSENT. © COPYRIGHT, MOTOROLA. THIS DOES NOT IMPLY PUBLICATION</small>		PROJECT NAME B 84016407.cpm	REV 01
		CAD FILE NAME :	
		PAGE 15 OF 47	

# MSM: PWR2

REF 1300-1399

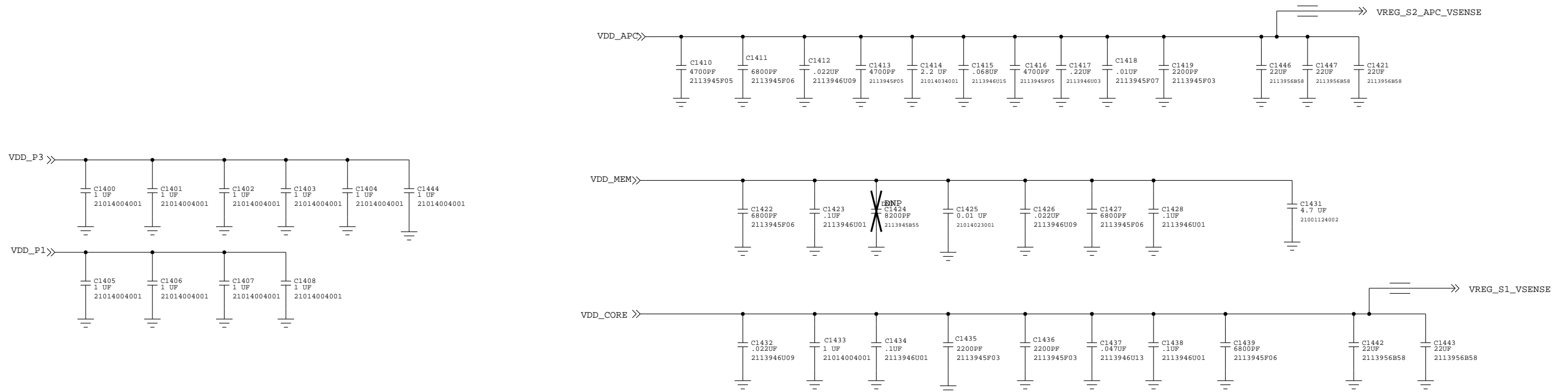


APPROVALS		<b>MOTOROLA</b> MOBILE DEVICES	
ENGINEER :		BLOCK TITLE :	
LAST MODIFIED BY: FAN021 Mon May 11 16:30:32 2015		<b>ap_pmic</b>	
MOTOROLA CONFIDENTIAL RESTRICTED <small>THE DRAWING ON THIS PRINT AND INFORMATION THEREWITH ARE PROPRIETARY TO MOTOROLA AND SHALL NOT BE USED OR DISCUSSED IN WHOLE OR IN PART WITHOUT MOTOROLA'S CONSENT. © COPYRIGHT, MOTOROLA. THIS DOES NOT IMPLY PUBLICATION</small>		PROJECT NAME <b>84016407.cpm</b>	REV <b>01</b>
		CAD FILE NAME :	
		PAGE 16 OF 47	



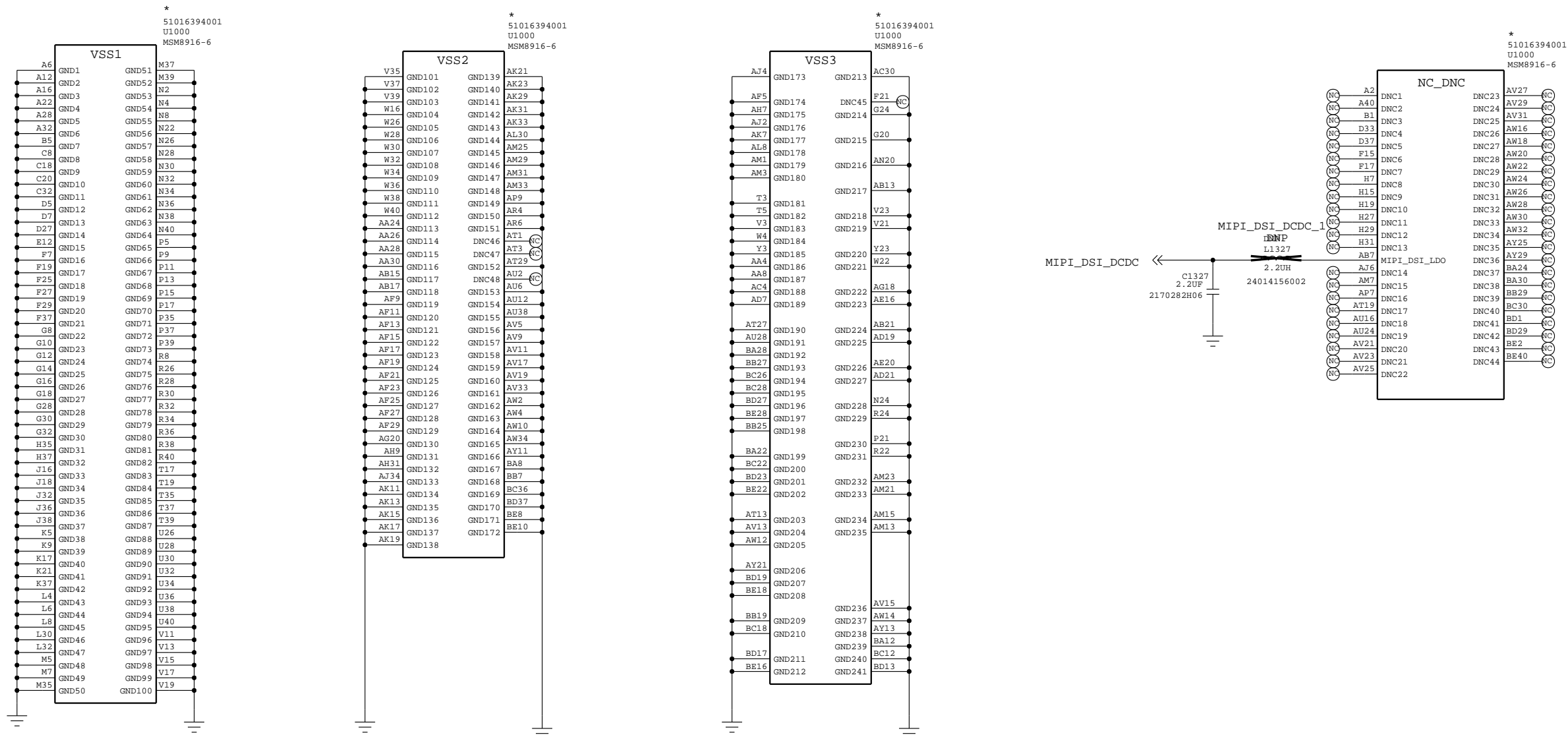
# MSM: BYPASS CAPS

REF 1400-1499



APPROVALS		<b>MOTOROLA</b> MOBILE DEVICES	
ENGINEER :		BLOCK TITLE :	
LAST MODIFIED BY: FAN021 Mon May 11 16:30:33 2015		ap_pmic	
MOTOROLA CONFIDENTIAL RESTRICTED <small>THE DRAWING ON THIS PRINT AND INFORMATION THEREWITH ARE PROPRIETARY TO MOTOROLA AND SHALL NOT BE USED OR DISCUSSED IN WHOLE OR IN PART WITHOUT MOTOROLA'S CONSENT. © COPYRIGHT, MOTOROLA. THIS DOES NOT IMPLY PUBLICATION</small>		PROJECT NAME 84016407.cpm	REV 01
		CAD FILE NAME :	
		PAGE 17 OF 47	

# MSM: GROUND



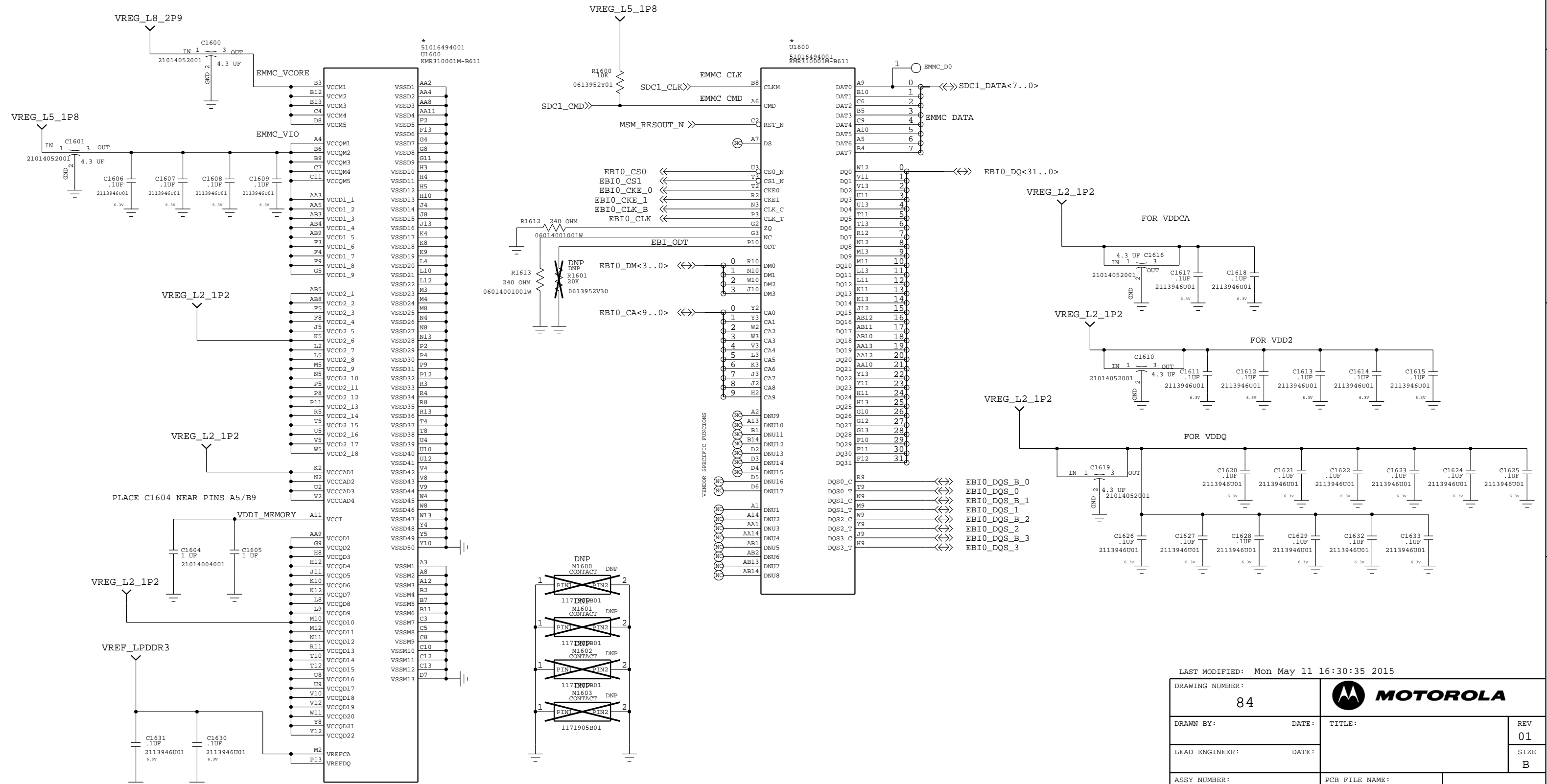
APPROVALS		<b>MOTOROLA</b> MOBILE DEVICES	
ENGINEER :		BLOCK TITLE :	
LAST MODIFIED BY: FAN021 Mon May 11 16:30:41 2015		ap_pmic	
MOTOROLA CONFIDENTIAL RESTRICTED <small>THE DRAWING ON THIS PRINT AND INFORMATION THEREWITH ARE PROPRIETARY TO MOTOROLA AND SHALL NOT BE USED OR DISCUSSED IN WHOLE OR IN PART WITHOUT MOTOROLA'S CONSENT. © COPYRIGHT, MOTOROLA. THIS DOES NOT IMPLY PUBLICATION</small>		PROJECT NAME B 84016407.cpm	REV 01
		CAD FILE NAME :	
		PAGE 18 OF 47	

# MEMORY MCP

REF: 1600-1699

MCP: 8GB NAND, 8GBIT LPDDR3

REVISIONS				
REV	ECN	DESCRIPTION	MADE BY	APPROVED



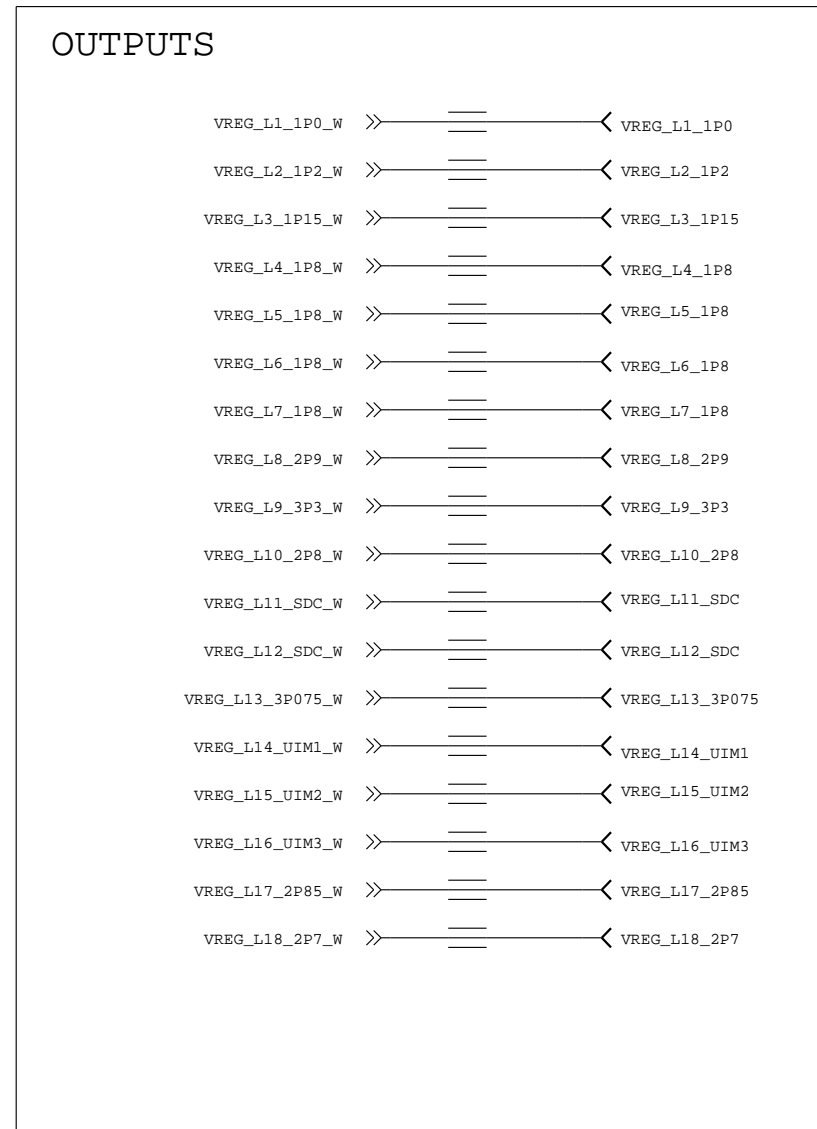
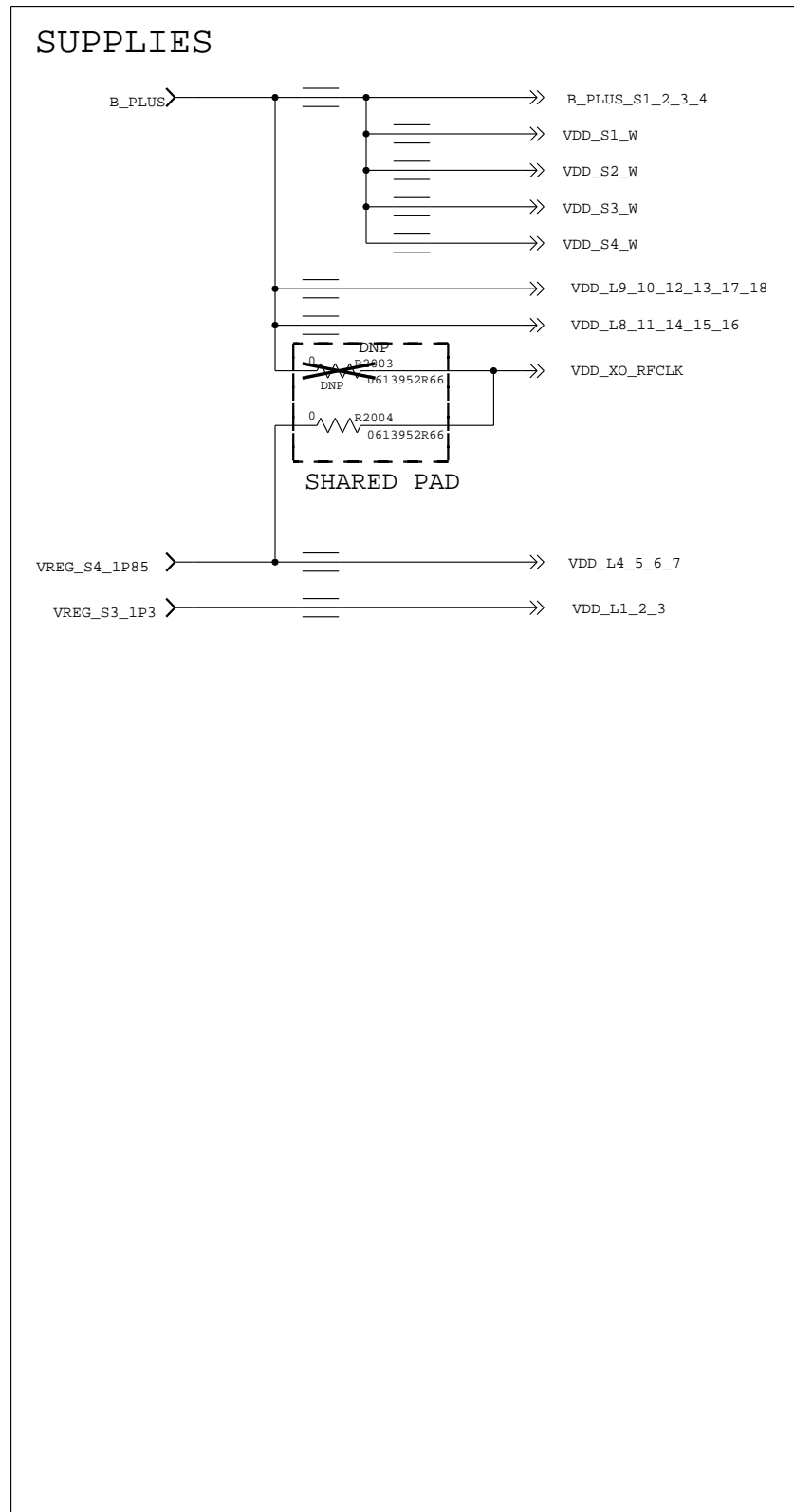
LAST MODIFIED: Mon May 11 16:30:35 2015

DRAWING NUMBER: <b>84</b>			
DRAWN BY:	DATE:	TITLE:	REV 01
LEAD ENGINEER:	DATE:		SIZE B
ASSY NUMBER:	PCB FILE NAME:	PAGE 19 OF 47	

MOTOROLA CONFIDENTIAL RESTRICTED

# PM8916: POWER

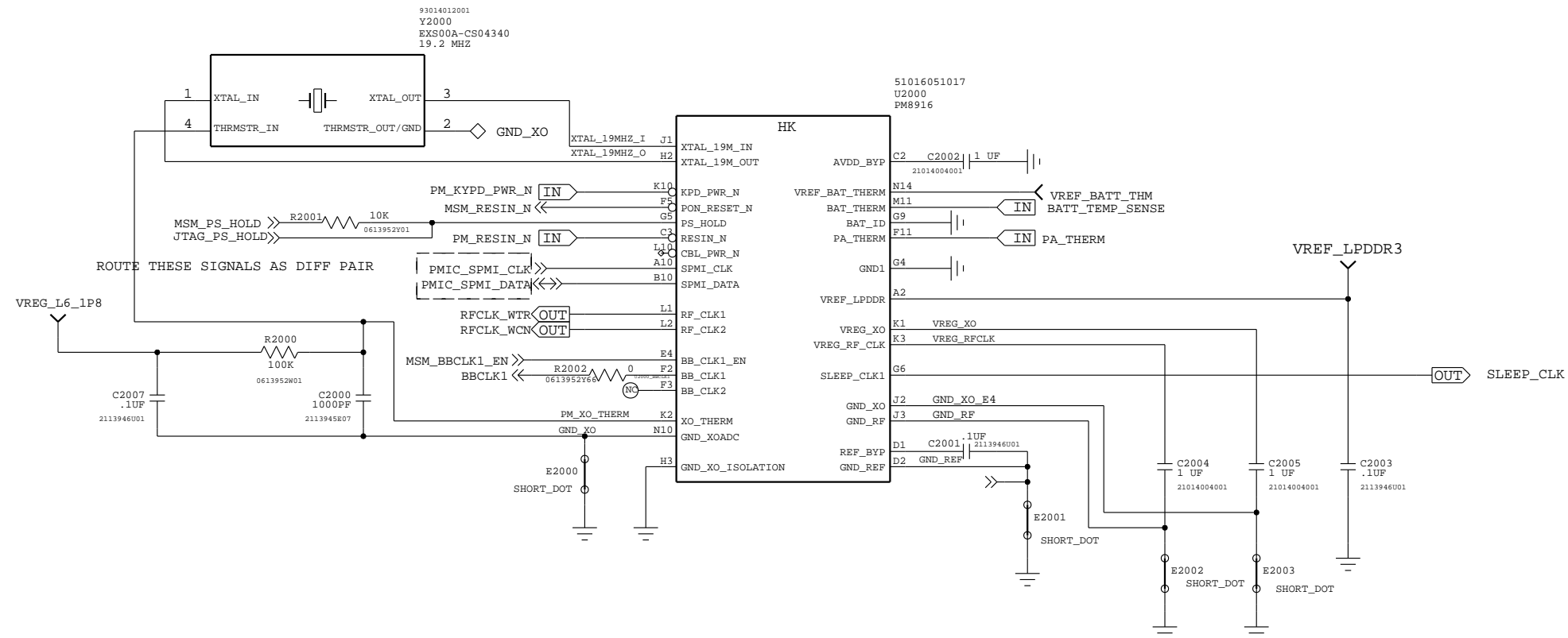
REF: 2000-2999



APPROVALS		<b>MOTOROLA</b> MOBILE DEVICES	
ENGINEER: NATE CONNELL		BLOCK TITLE:	
LAST MODIFIED BY: NATE CONNELL Mon May 11 16:30:39 2015		<b>ap_pmic</b>	
MOTOROLA CONFIDENTIAL RESTRICTED <small>THE DRAWING ON THIS PRINT AND INFORMATION THEREWITH ARE PROPRIETARY TO MOTOROLA AND SHALL NOT BE USED OR DISCUSSED IN WHOLE OR IN PART WITHOUT MOTOROLA'S CONSENT. © COPYRIGHT, MOTOROLA. THIS DOES NOT IMPLY PUBLICATION</small>		PROJECT NAME B 84016407.cpm	REV 01
		CAD FILE NAME:	
		PAGE 20 OF 47	

# PM8916: HK

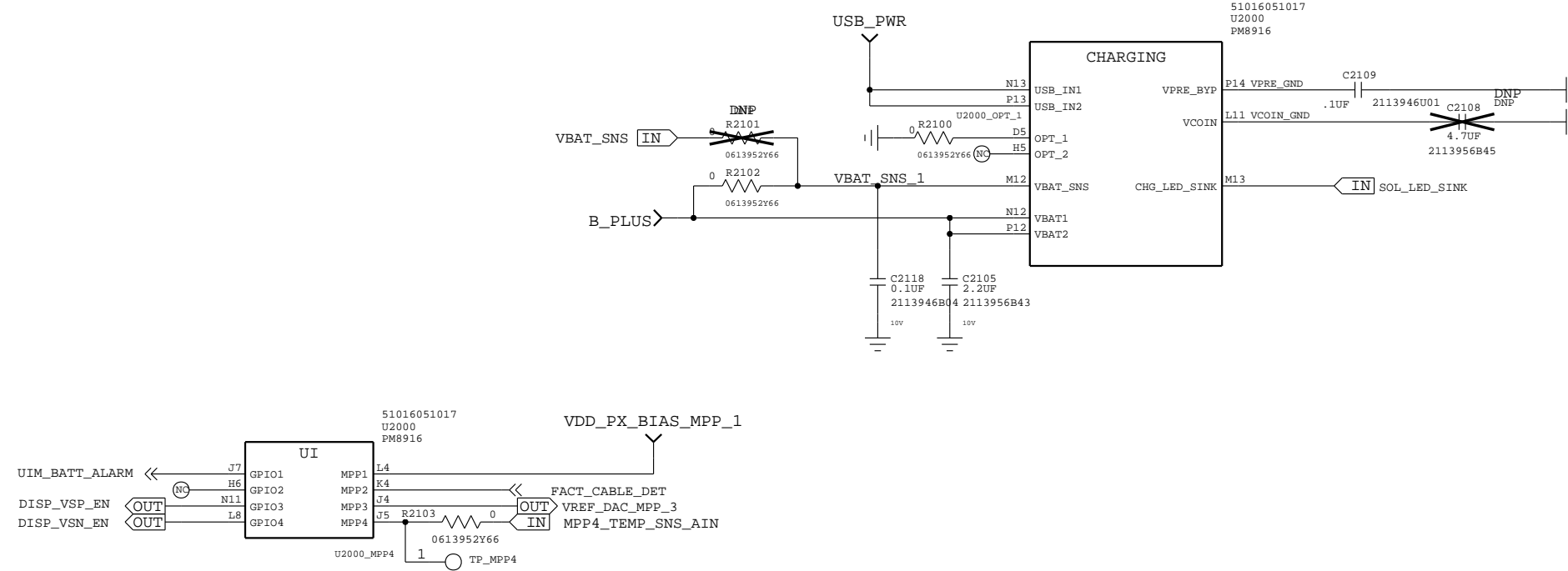
REF: 2000-2999



APPROVALS		<b>MOTOROLA</b> MOBILE DEVICES	
ENGINEER: XIAOYU WANG		BLOCK TITLE:	
LAST MODIFIED BY: MMI Mon May 11 16:30:29 2015		ap_pmic	
MOTOROLA CONFIDENTIAL RESTRICTED <small>THE DRAWING ON THIS PRINT AND INFORMATION THEREWITH ARE PROPRIETARY TO MOTOROLA AND SHALL NOT BE USED OR DISCUSSED IN WHOLE OR IN PART WITHOUT MOTOROLA'S CONSENT. © COPYRIGHT, MOTOROLA. THIS DOES NOT IMPLY PUBLICATION</small>		PROJECT NAME B 84016407.cpm	REV 01
		CAD FILE NAME:	
		PAGE 21 OF 47	

# PM8916: CHRGE/LED/GPIO

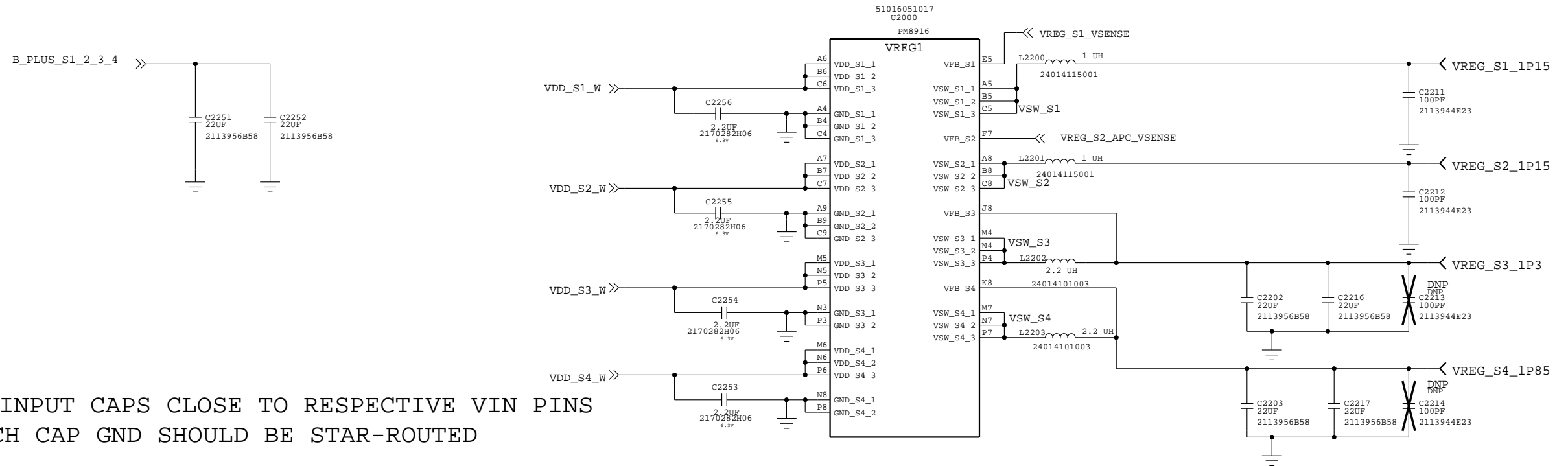
REF: 2000-2999



APPROVALS		<b>MOTOROLA</b> MOBILE DEVICES	
ENGINEER: MMI		BLOCK TITLE:	
LAST MODIFIED BY: MMI Mon May 11 16:30:37 2015		ap_pmic	
MOTOROLA CONFIDENTIAL RESTRICTED <small>THE DRAWING ON THIS PRINT AND INFORMATION THEREWITH ARE PROPRIETARY TO MOTOROLA AND SHALL NOT BE USED OR DISCUSSED IN WHOLE OR IN PART WITHOUT MOTOROLA'S CONSENT.                  © COPYRIGHT, MOTOROLA. THIS DOES NOT IMPLY PUBLICATION</small>		PROJECT NAME B 84016407.cpm	REV 01
		CAD FILE NAME:	
		PAGE 22 OF 47	

# PM8916: SMPS

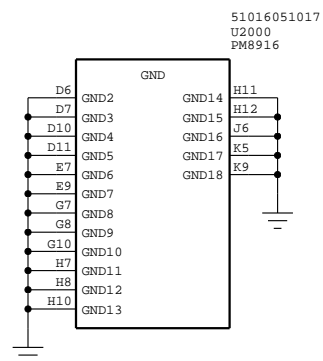
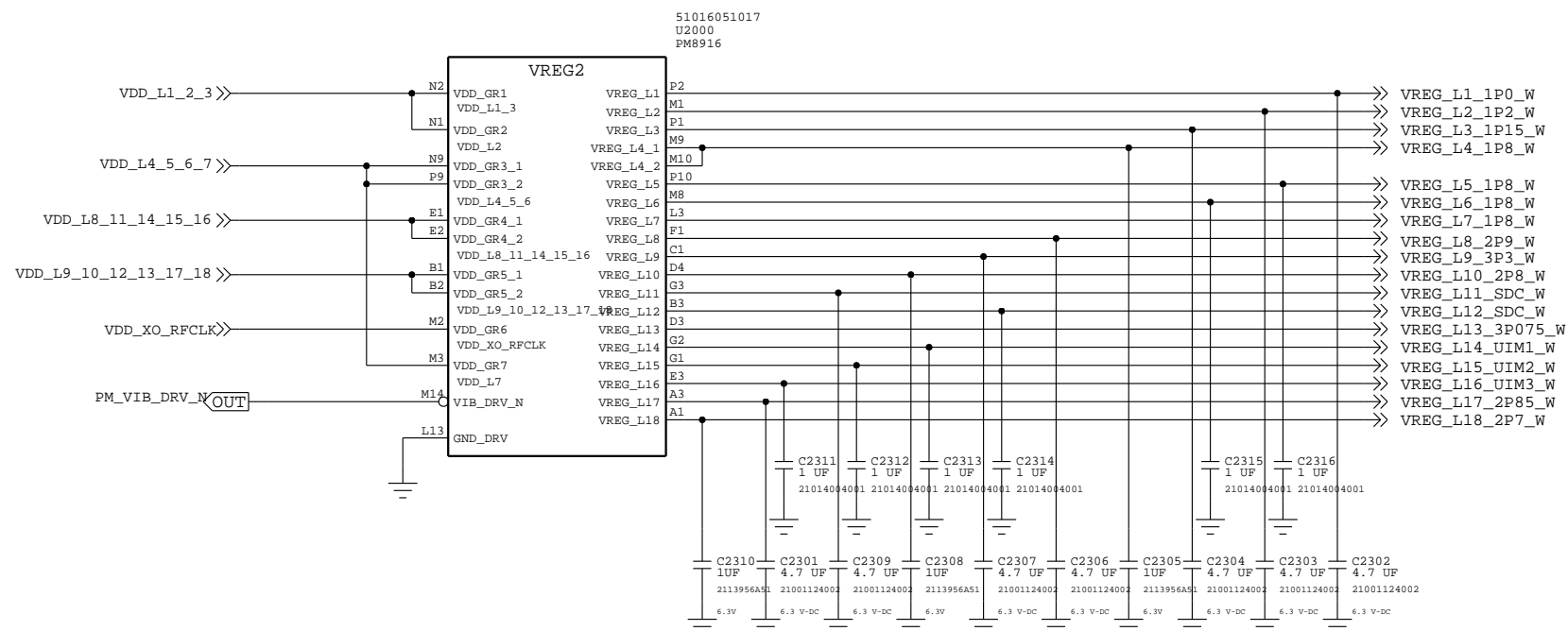
REF: 2000-2999



APPROVALS		<b>MOTOROLA</b> MOBILE DEVICES	
ENGINEER: XIAOYU WANG		BLOCK TITLE:	
LAST MODIFIED BY: MMI Mon May 11 16:30:37 2015		ap_pmic	
MOTOROLA CONFIDENTIAL RESTRICTED <small>THE DRAWING ON THIS PRINT AND INFORMATION THEREWITH ARE PROPRIETARY TO MOTOROLA AND SHALL NOT BE USED OR DISCUSSED IN WHOLE OR IN PART WITHOUT MOTOROLA'S CONSENT. © COPYRIGHT, MOTOROLA. THIS DOES NOT IMPLY PUBLICATION</small>		PROJECT NAME B 84016407.cpm	REV 01
		CAD FILE NAME:	
		PAGE 23 OF 47	

# PM8916: VREGS

REF: 2000-2999



## PSEUDO CAPLESS LDOS

L4, L5, L6, L7, L8, L9, L10, L11, L12, L13, L14, L15, L16, L17, L18

L8, L9, L11, L17 EACH SHALL HAVE TOTAL EFFECTIVE OUTPUT CAPACITANCE OF 4.7UF  
 REST OF THE LDOS SHALL HAVE TOTAL EFFECTIVE OUTPUT CAPACITANCE OF 1.0UF

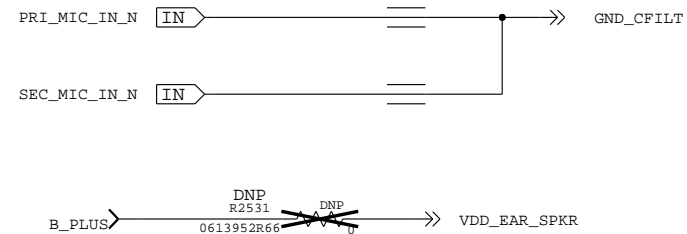
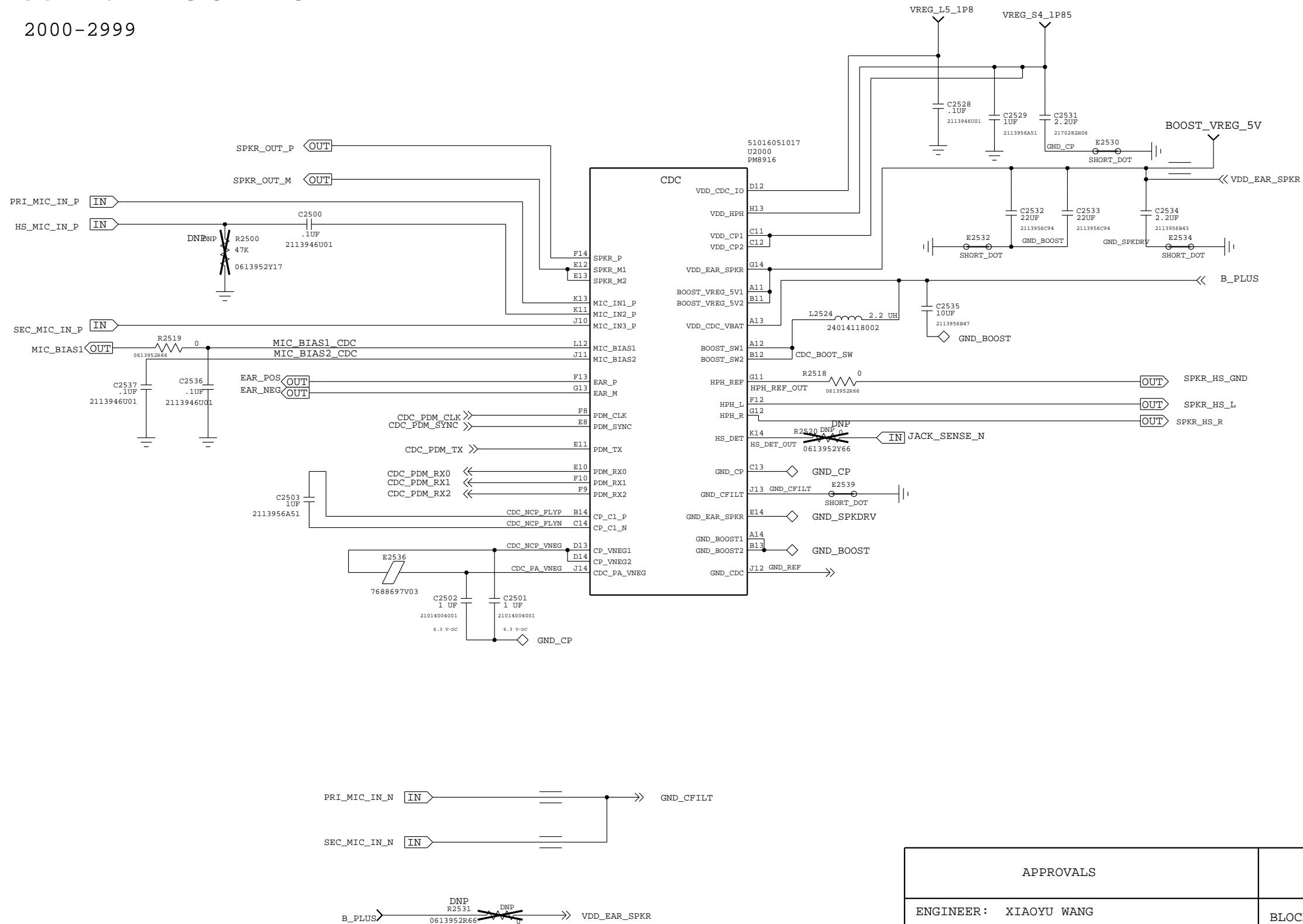
NOTE: IF A DECOUPLING CAP OF A PSEUDO CAPLESS LDO DOES NOT ADD TO 1UF ON THE LOAD SIDE, INSTALL THE CAP CLOSE TO THE PMIC

APPROVALS		<b>MOTOROLA</b> MOBILE DEVICES	
ENGINEER: XIAOYU WANG		BLOCK TITLE:	
LAST MODIFIED BY: MMI Mon May 11 16:30:38 2015		ap_pmic	
MOTOROLA CONFIDENTIAL RESTRICTED <small>THE DRAWING ON THIS PRINT AND INFORMATION THEREWITH ARE PROPRIETARY TO MOTOROLA AND SHALL NOT BE USED OR DISCUSSED IN WHOLE OR IN PART WITHOUT MOTOROLA'S CONSENT. © COPYRIGHT, MOTOROLA. THIS DOES NOT IMPLY PUBLICATION</small>		PROJECT NAME B 84016407.cpm	REV 01
		CAD FILE NAME:	
		PAGE 24 OF 47	



# PM8916: CODEC

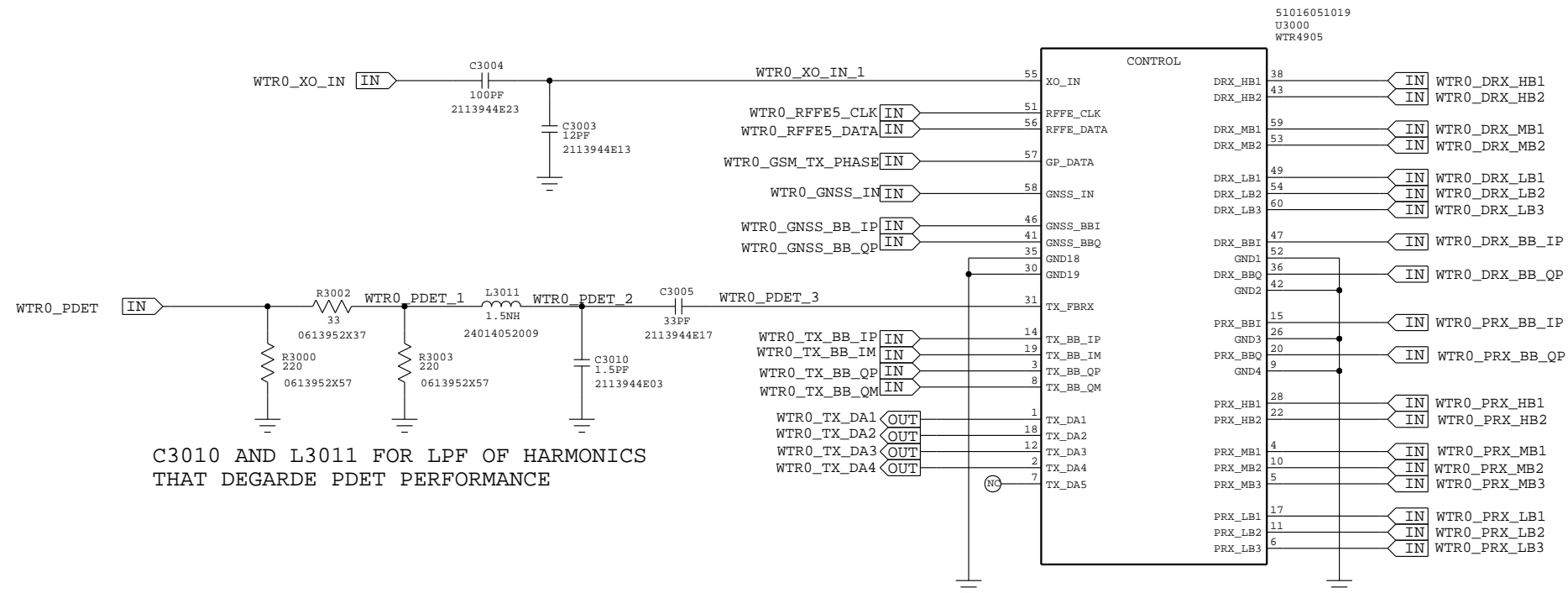
REF 2000-2999



APPROVALS		<b>MOTOROLA</b> MOBILE DEVICES	
ENGINEER: XIAOYU WANG		BLOCK TITLE:	
LAST MODIFIED BY: ECB033 Mon May 11 16:30:29 2015		ap_pmic	
MOTOROLA CONFIDENTIAL RESTRICTED <small>THE DRAWING ON THIS PRINT AND INFORMATION THEREWITH ARE PROPRIETARY TO MOTOROLA AND SHALL NOT BE USED OR DISCUSSED IN WHOLE OR IN PART WITHOUT MOTOROLA'S CONSENT. © COPYRIGHT, MOTOROLA. THIS DOES NOT IMPLY PUBLICATION</small>		PROJECT NAME B 84016407.cpm	REV 01
		CAD FILE NAME:	
		PAGE 25 OF 47	

# WTR4905 BB RF

REF 3000-3099

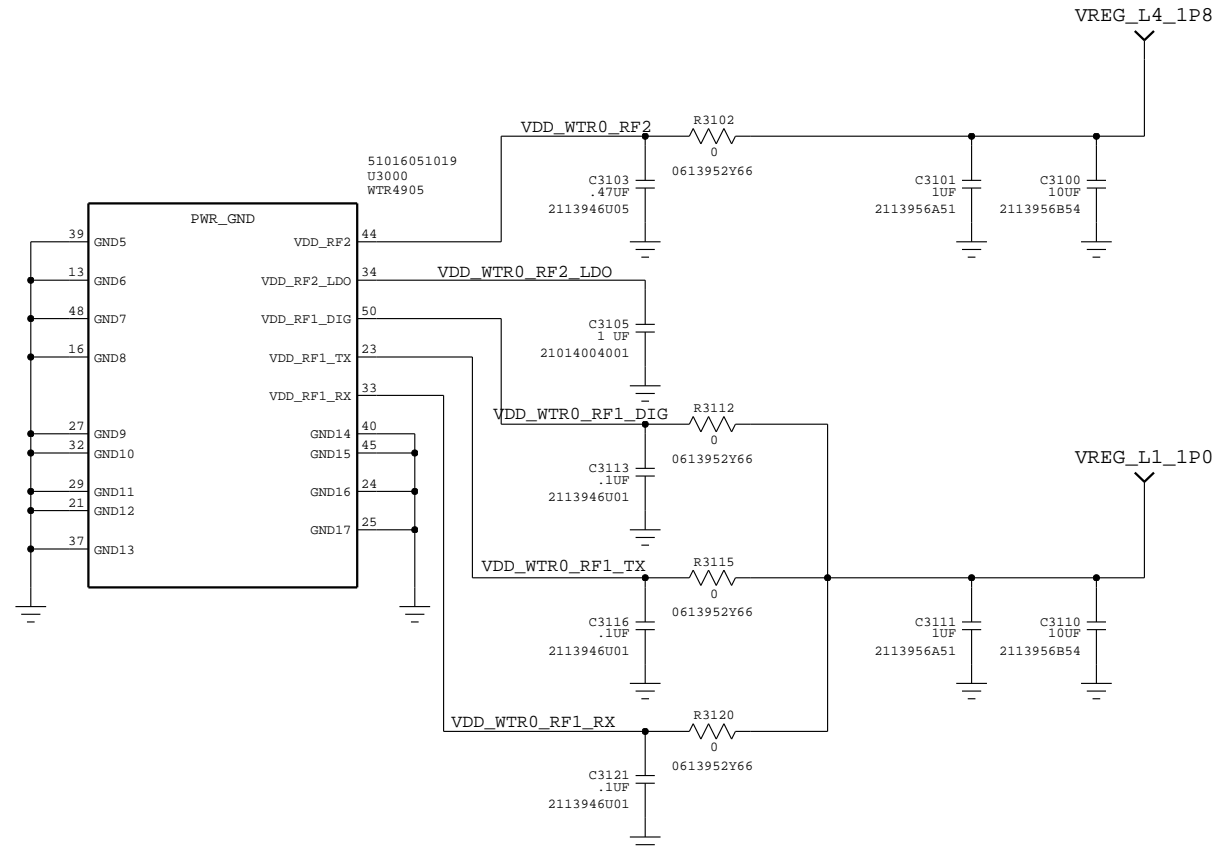


MOTOROLA MOBILITY CONFIDENTIAL RESTRICTED-MDB TRACKED TRACKEDANDBLOCKED

APPROVALS		<b>MOTOROLA</b> MOBILE DEVICES	
ENGINEER: MMI		BLOCK TITLE: <b>block_wtr4905</b>	
LAST MODIFIED BY: Mon May 11 16:30:43 2015			
MOTOROLA CONFIDENTIAL RESTRICTED <small>THE DRAWING ON THIS PRINT AND INFORMATION THEREWITH ARE PROPRIETARY TO MOTOROLA AND SHALL NOT BE USED OR DISCUSSED IN WHOLE OR IN PART WITHOUT MOTOROLA'S CONSENT. © COPYRIGHT, MOTOROLA. THIS DOES NOT IMPLY PUBLICATION</small>		PROJECT NAME B 84016407.cpm	REV 01
		CAD FILE NAME:	
		PAGE 26 OF 47	

BASED ON 80-NL713-44 REV. A

WTR4905 POWER  
REF 3100-3199



MOTOROLA MOBILITY CONFIDENTIAL RESTRICTED-MDB TRACKED TRACKEDANDBLOCKED

APPROVALS		<b>MOTOROLA</b> MOBILE DEVICES	
ENGINEER: MMI		BLOCK TITLE:	
LAST MODIFIED BY: MMI Mon May 11 16:30:44 2015		block_wtr4905	
MOTOROLA CONFIDENTIAL RESTRICTED <small>THE DRAWING ON THIS PRINT AND INFORMATION THEREWITH ARE PROPRIETARY TO MOTOROLA AND SHALL NOT BE USED OR DISCUSSED IN WHOLE OR IN PART WITHOUT MOTOROLA'S CONSENT. © COPYRIGHT, MOTOROLA. THIS DOES NOT IMPLY PUBLICATION</small>		PROJECT NAME B 84016407.cpm	REV 01
		CAD FILE NAME:	
		PAGE 27 OF 47	

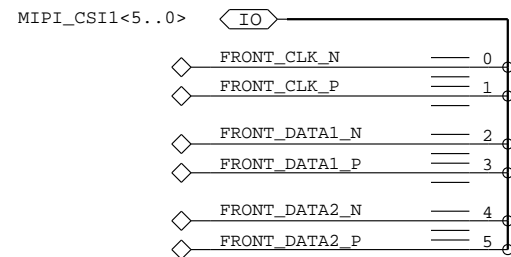
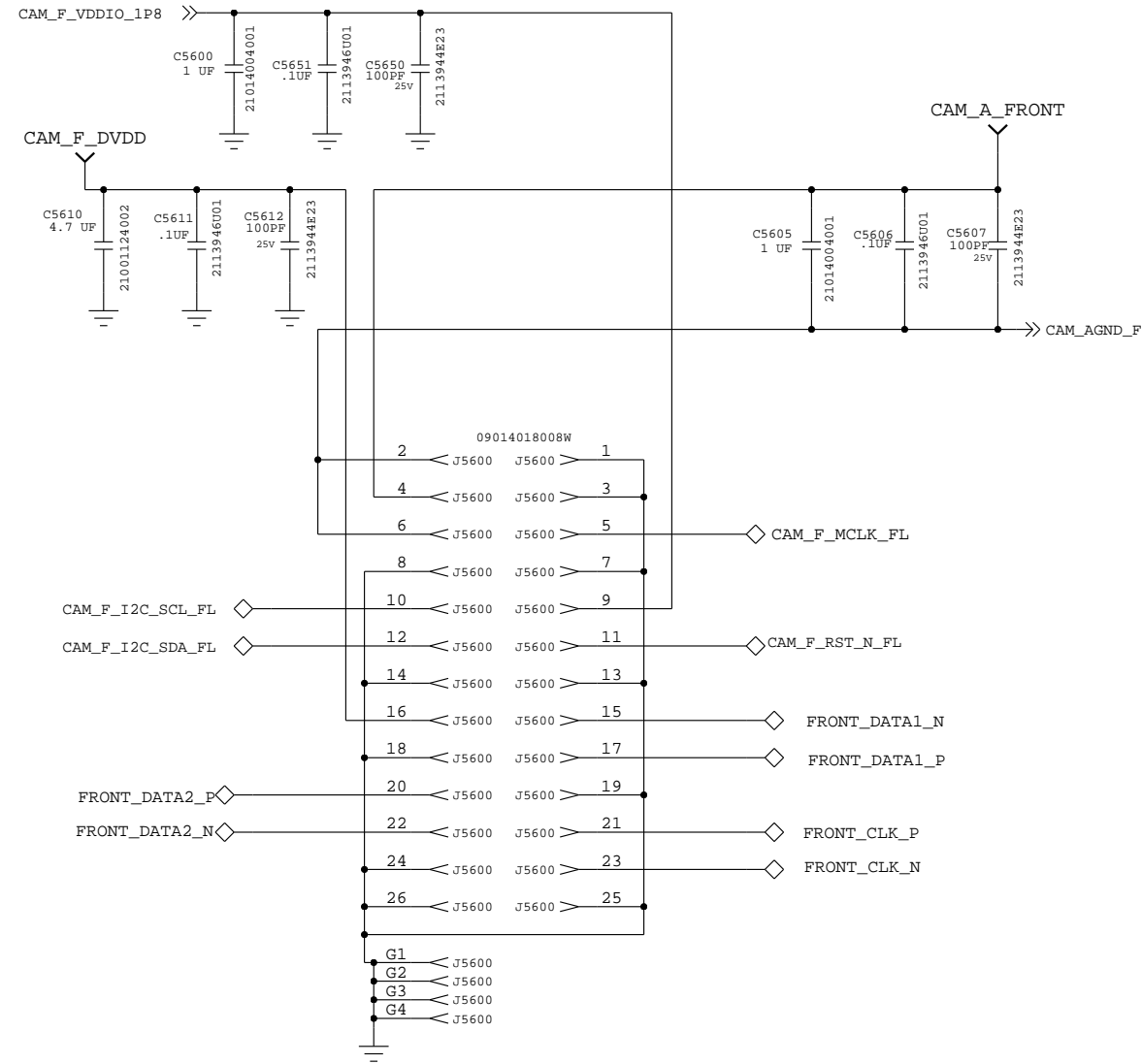
BASED ON 80-NL713-44 REV. A



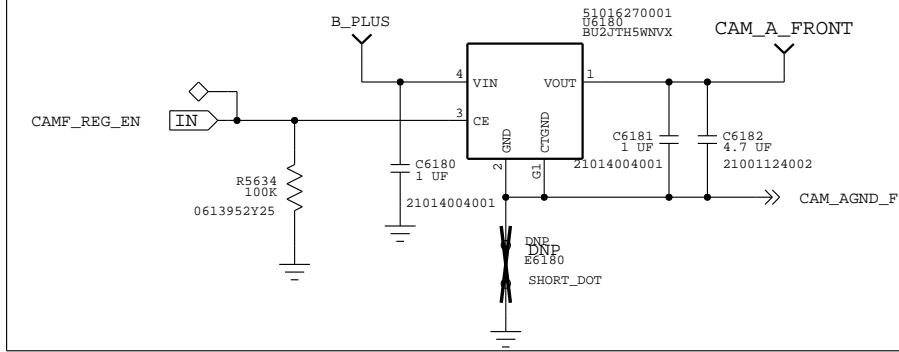
# FRONT CAMERA

REF 5600-5649

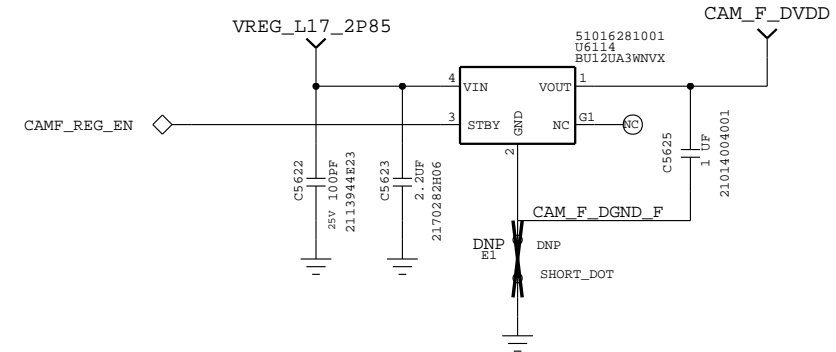
## FF CAMERA CONNECTOR



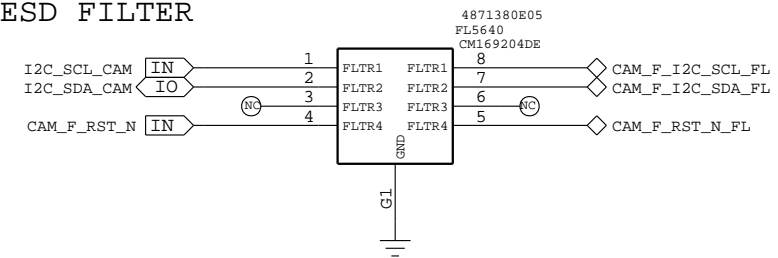
## CAMERA ANALOG FRONT - 2.85V



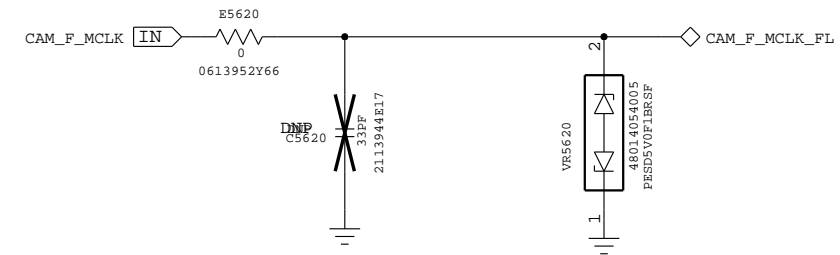
## CAMERA FRONT DVDD - 1.2V



## EMI/ESD FILTER



PLACE E5620 AND C5620 NEAR MSM



### APPROVALS

ENGINEER: JOHN KRAMER

LAST MODIFIED BY: NATE CONNELL  
Mon May 11 16:30:49 2015

MOTOROLA CONFIDENTIAL RESTRICTED

THE DRAWING ON THIS PRINT AND INFORMATION  
THEREWITH ARE PROPRIETARY TO MOTOROLA AND  
SHALL NOT BE USED OR DISCUSSED IN WHOLE  
OR IN PART WITHOUT MOTOROLA'S CONSENT.  
© COPYRIGHT, MOTOROLA. THIS DOES  
NOT IMPLY PUBLICATION



BLOCK TITLE:

user\_interface

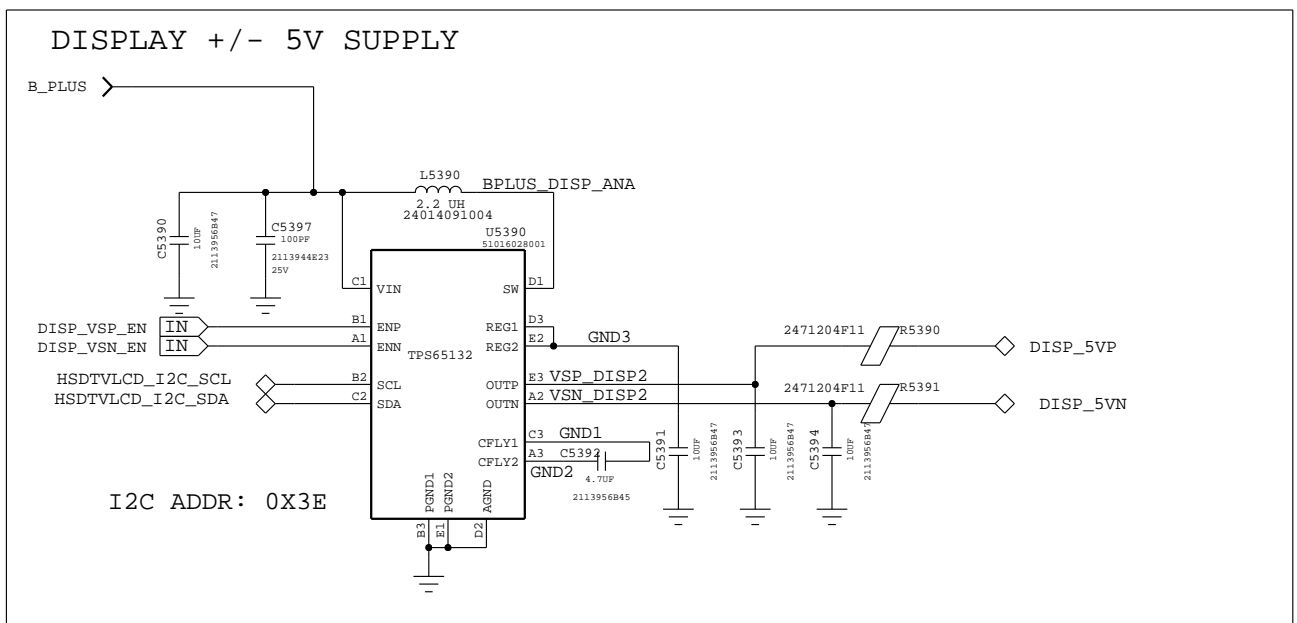
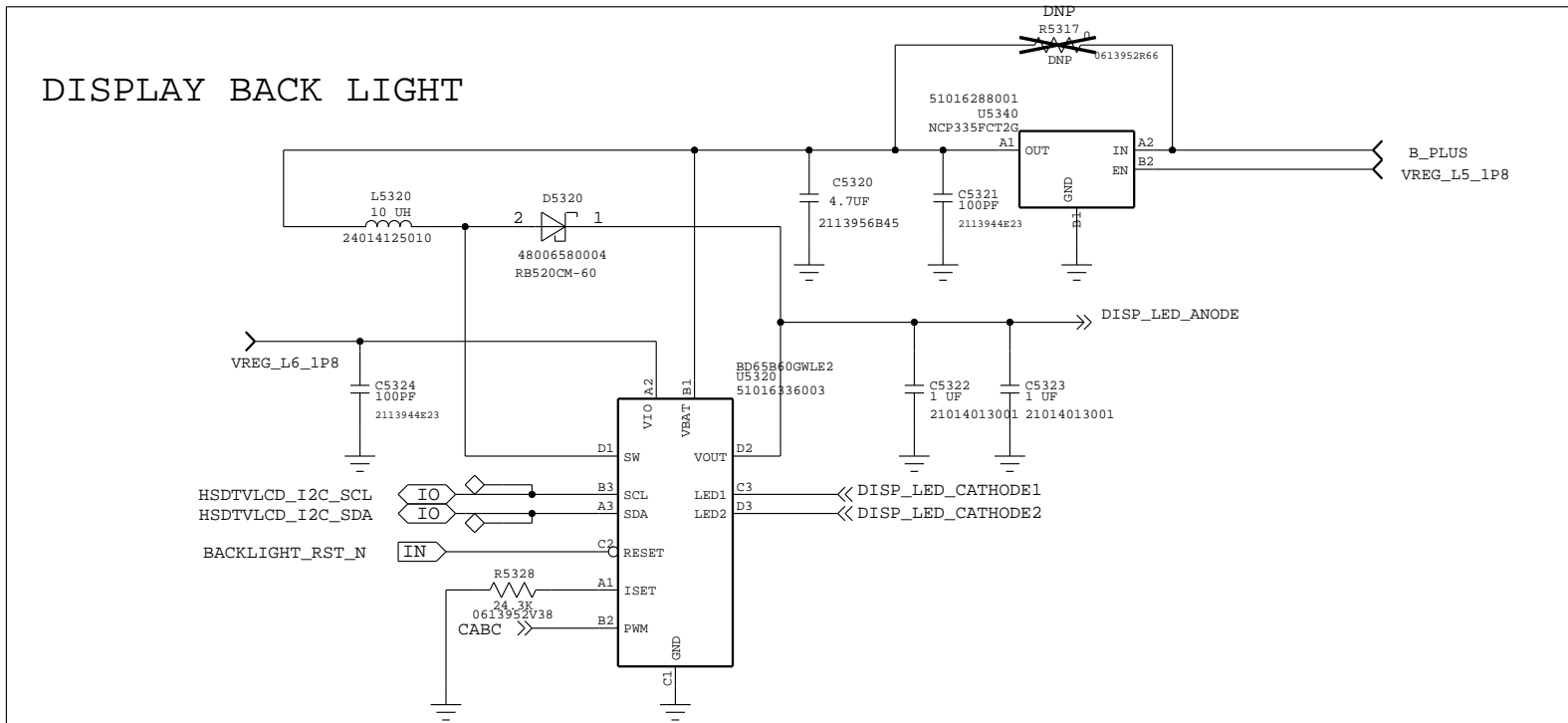
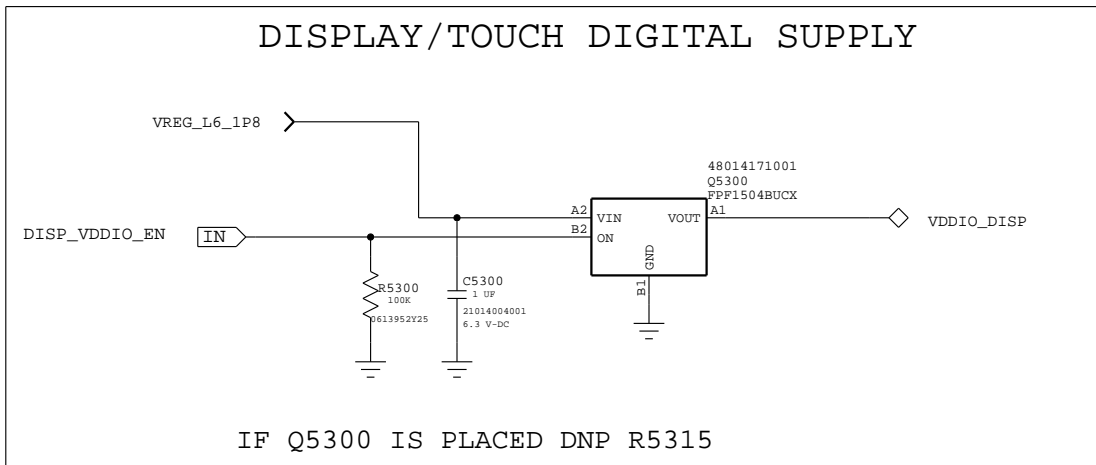
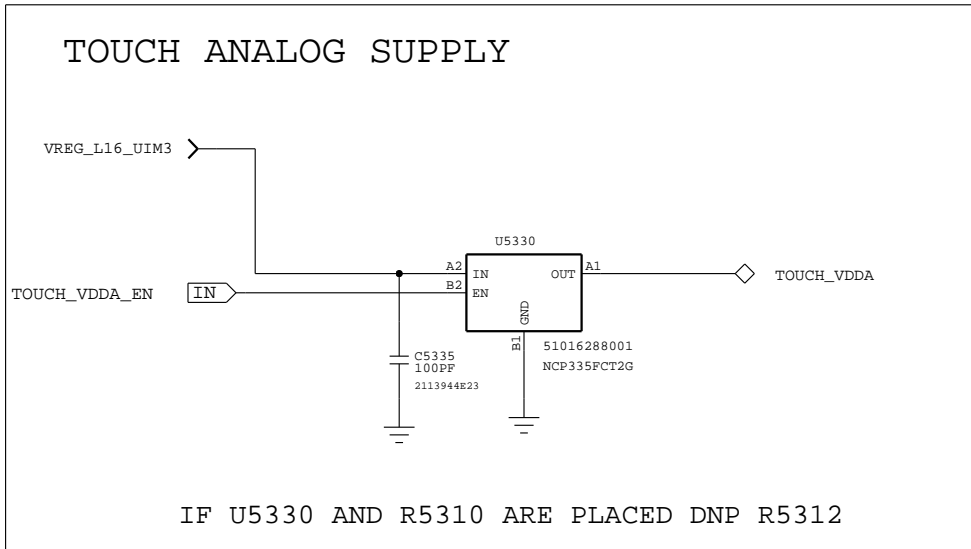
PROJECT NAME  
84016407.cpm

REV  
01

CAD FILE NAME:

# DISPLAY POWER

REF: 5300-5399

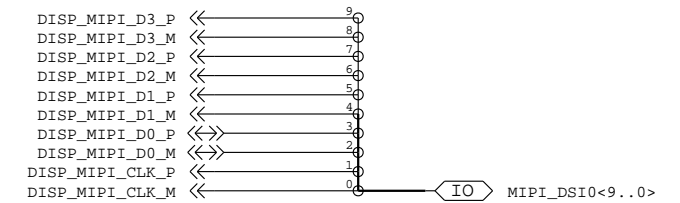
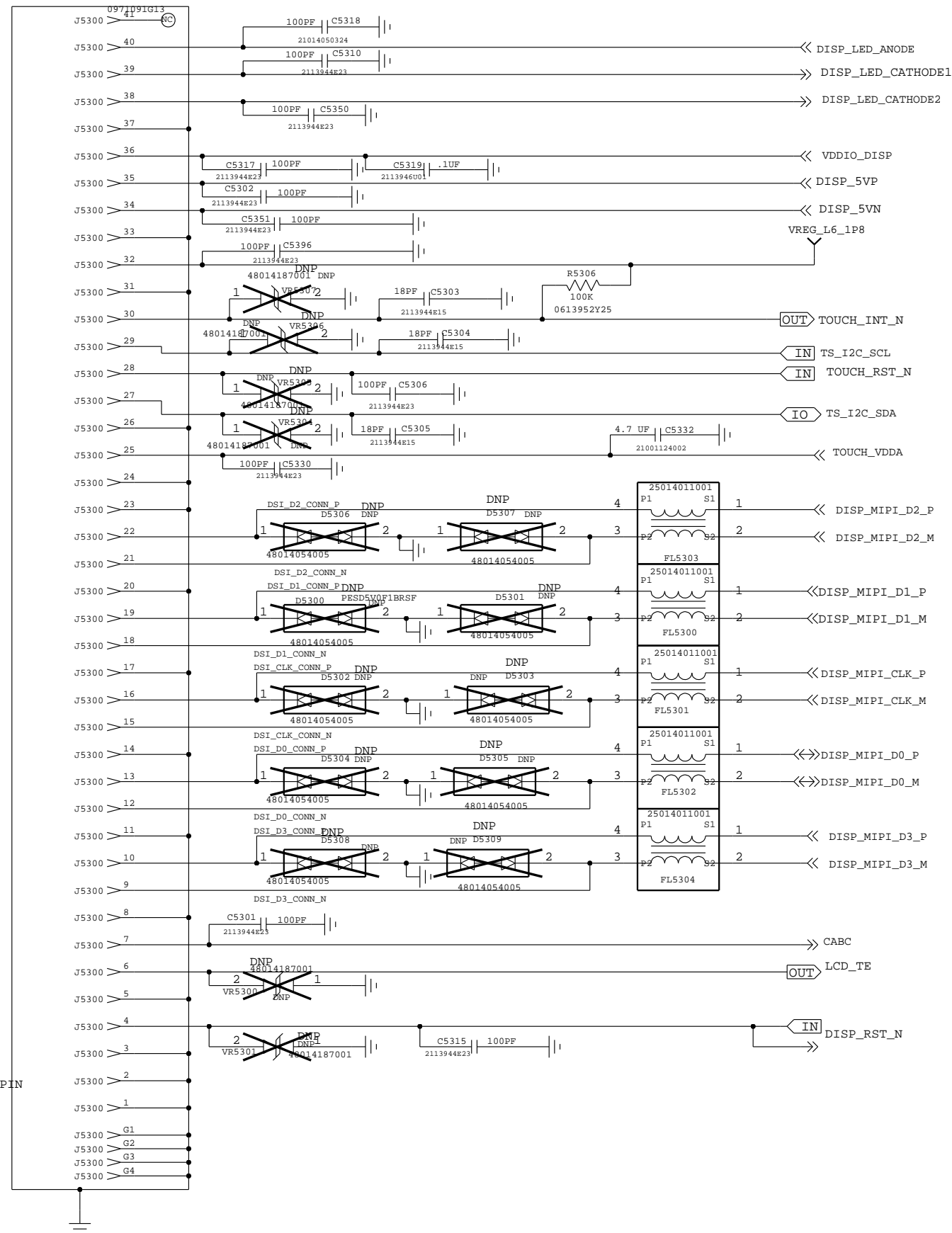


APPROVALS		<b>MOTOROLA</b> MOBILE DEVICES	
ENGINEER: MIGUEL DELEON		BLOCK TITLE:	
LAST MODIFIED BY: CARI HERNANDEZ Mon May 11 16:30:48 2015		user_interface	
MOTOROLA CONFIDENTIAL RESTRICTED <small>THE DRAWING ON THIS PRINT AND INFORMATION THEREWITH ARE PROPRIETARY TO MOTOROLA AND SHALL NOT BE USED OR DISCUSSED IN WHOLE OR IN PART WITHOUT MOTOROLA'S CONSENT. © COPYRIGHT, MOTOROLA. THIS DOES NOT IMPLY PUBLICATION</small>		PROJECT NAME B 84016407.cpm	REV 01
		CAD FILE NAME:	
		PAGE 30 OF 47	

# DISPLAY CONNECTOR

REF: 5300-5399

REVISIONS				
REV	ECN	DESCRIPTION	MADE BY	APPROVED



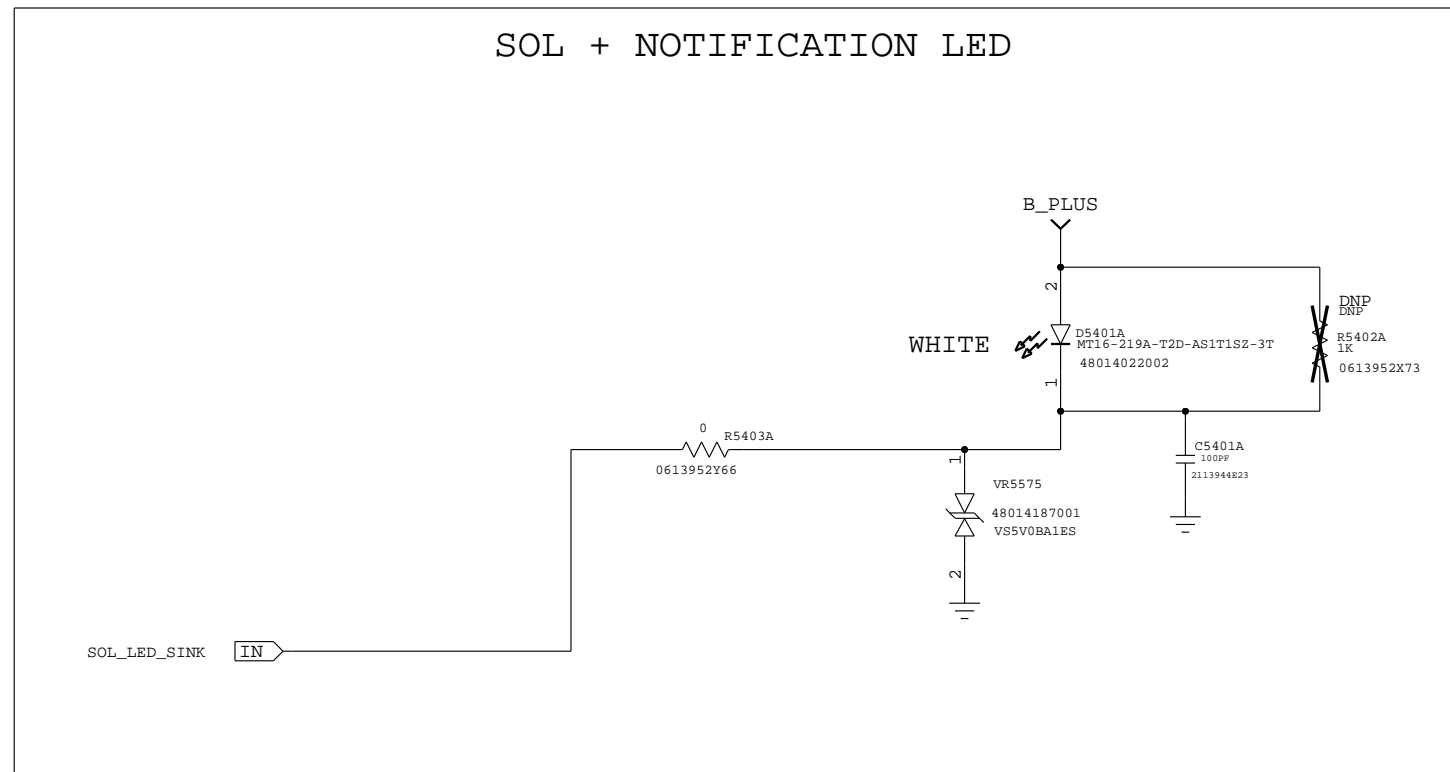
LAST MODIFIED: Mon May 11 16:30:51 2015

DRAWING NUMBER: <b>84</b>		<b>MOTOROLA</b>	
DRAWN BY: MIGUEL DELEON	DATE:	TITLE:	REV 01
LEAD ENGINEER: MIGUEL DELEON	DATE:		SIZE B
ASSY NUMBER:	PCB FILE NAME:	PAGE 31 OF 47	

# KEYS AND LEDS

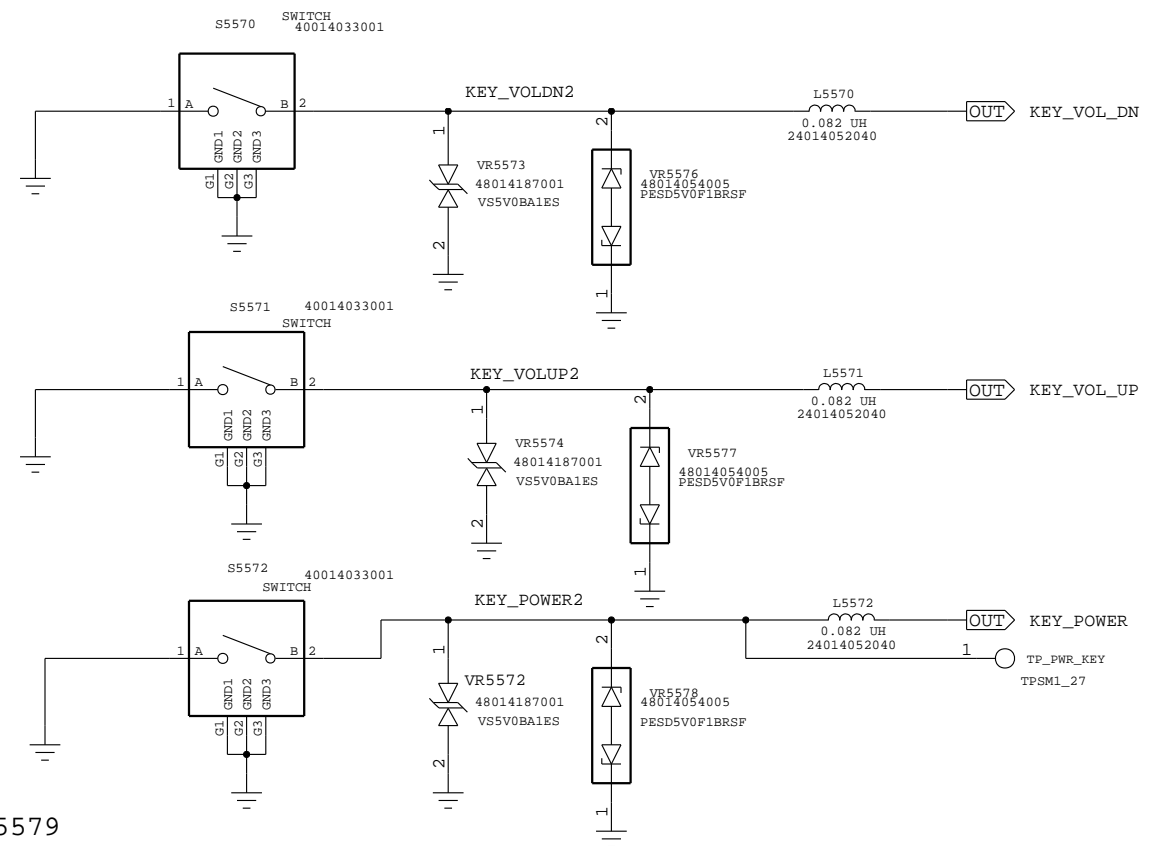
REF

## SOL + NOTIFICATION LED



## MECHANICAL KEYS

REF: 5570-5579



APPROVALS

ENGINEER: CARI HERNANDEZ

LAST MODIFIED BY: CARI HERNANDEZ  
Mon May 11 16:30:45 2015

MOTOROLA CONFIDENTIAL RESTRICTED

THE DRAWING ON THIS PRINT AND INFORMATION  
THEREWITH ARE PROPRIETARY TO MOTOROLA AND  
SHALL NOT BE USED OR DISCUSSED IN WHOLE  
OR IN PART WITHOUT MOTOROLA'S CONSENT.  
© COPYRIGHT, MOTOROLA. THIS DOES  
NOT IMPLY PUBLICATION



BLOCK TITLE:

user\_interface

PROJECT NAME  
B 84016407.cpm

REV  
01

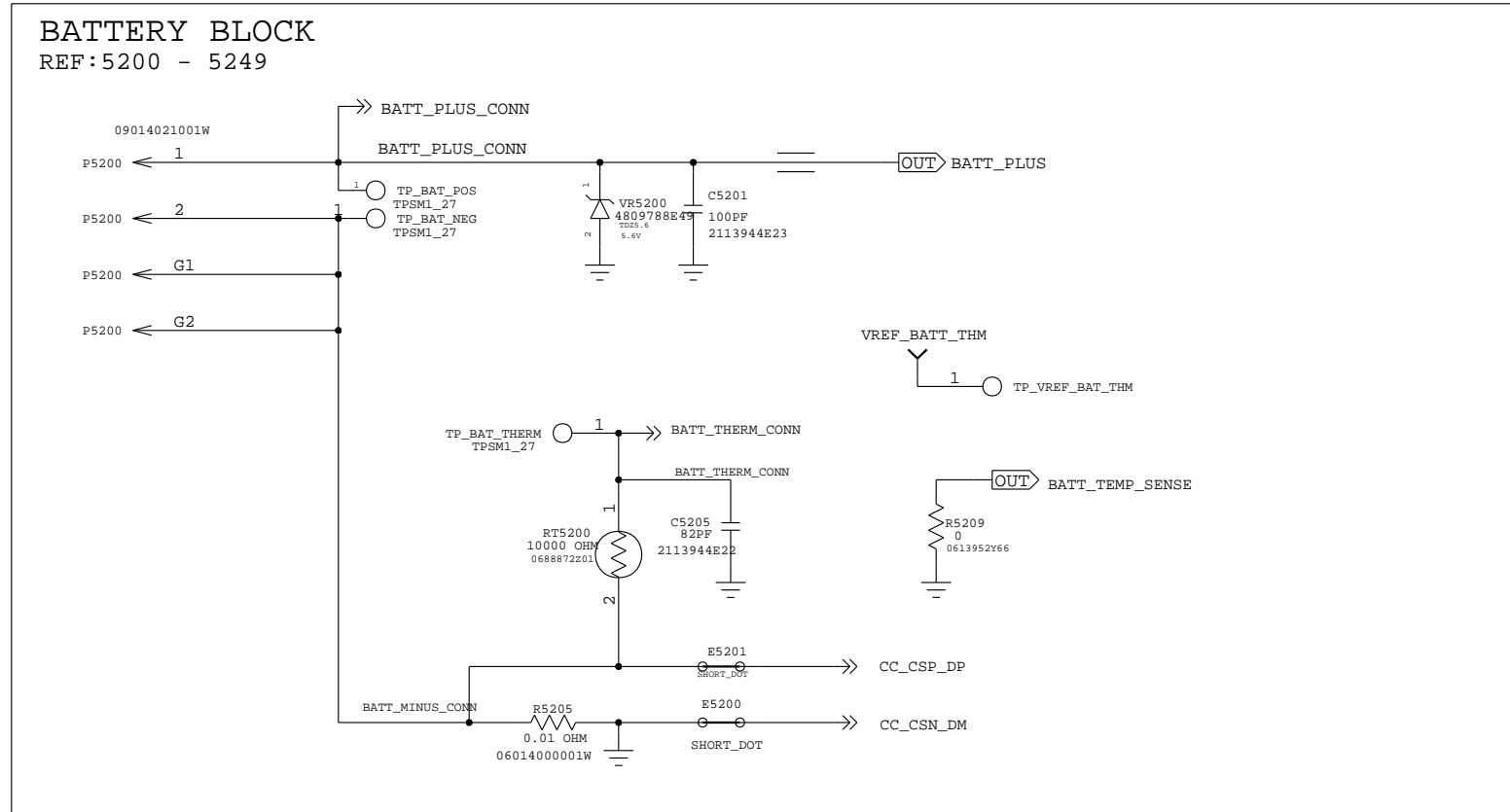
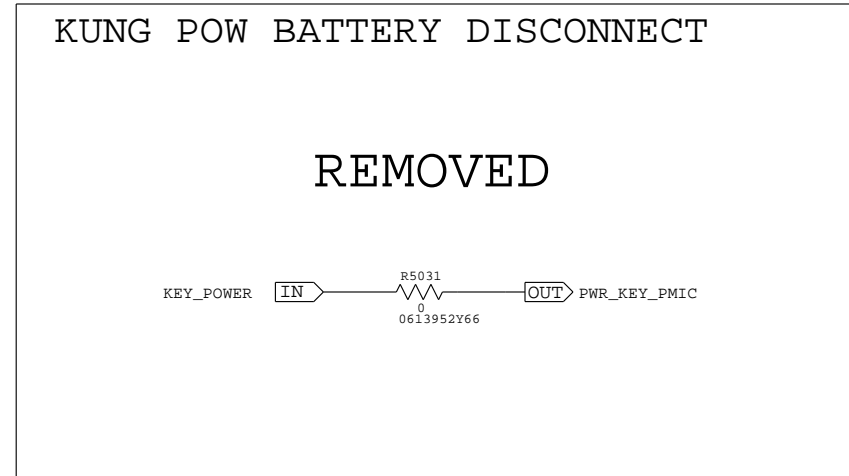
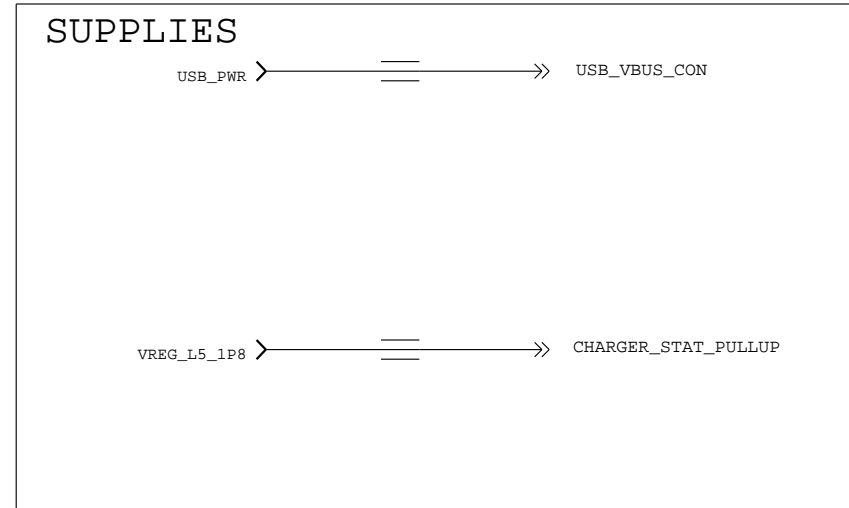
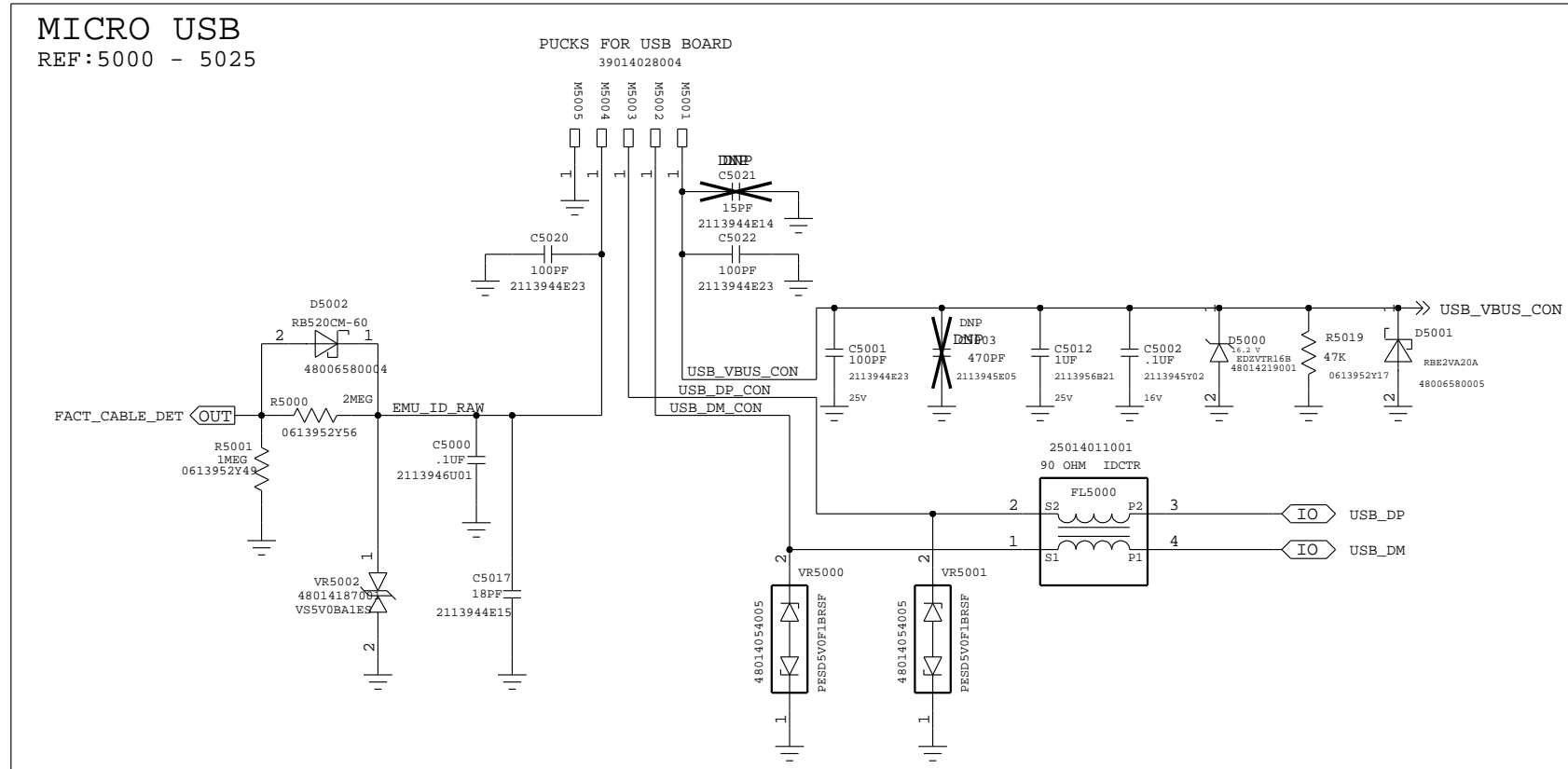
CAD FILE NAME:

PAGE 32 OF 47



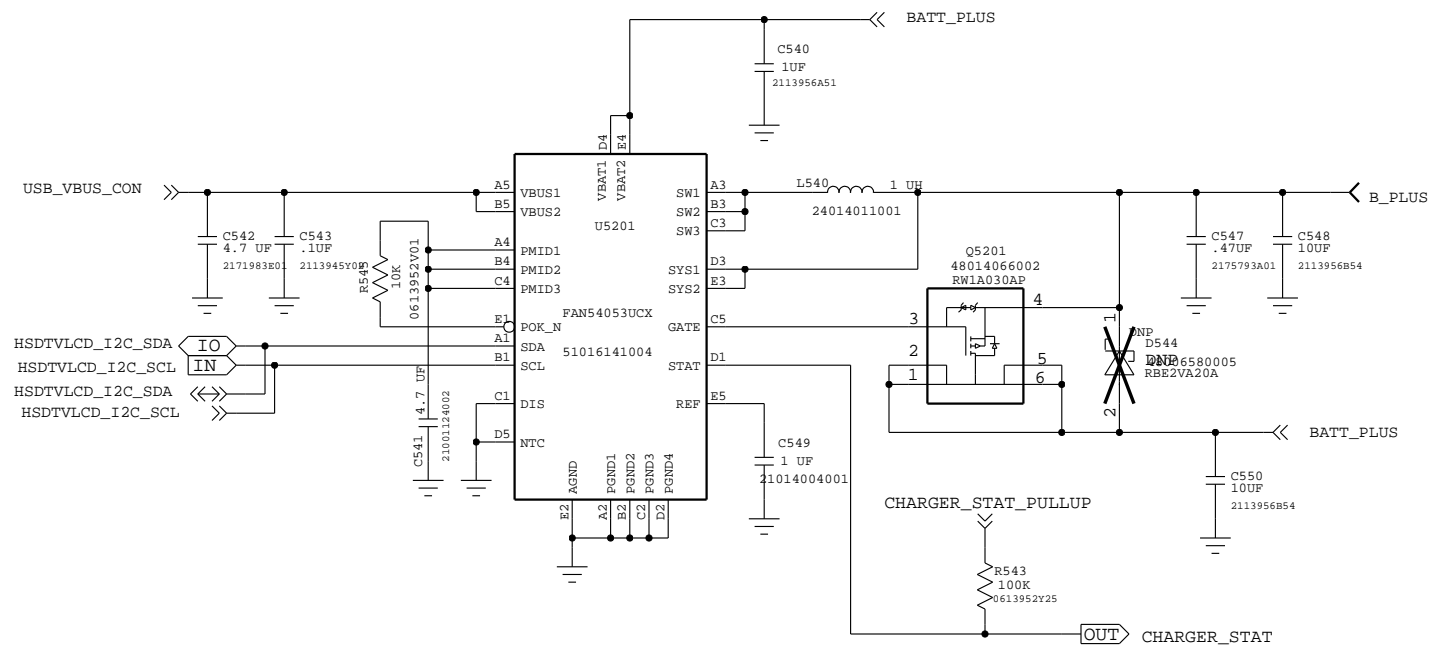
# USB\_BATTERY

REF:5000 - 5299

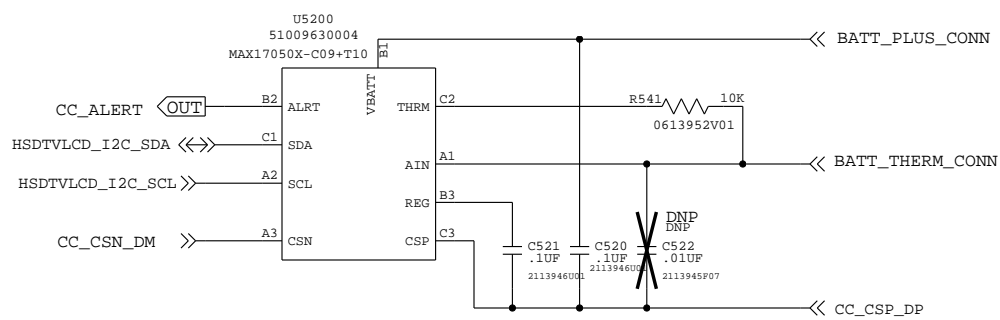


APPROVALS			
ENGINEER: XIAOYU WANG		BLOCK TITLE:	
LAST MODIFIED BY: NATE CONNELL Mon May 11 16:30:50 2015		user_interface	
MOTOROLA CONFIDENTIAL RESTRICTED		PROJECT NAME	REV
<small>THE DRAWING ON THIS PRINT AND INFORMATION THEREWITH ARE PROPRIETARY TO MOTOROLA AND SHALL NOT BE USED OR DISCUSSED IN WHOLE OR IN PART WITHOUT MOTOROLA'S CONSENT. © COPYRIGHT, MOTOROLA. THIS DOES NOT IMPLY PUBLICATION</small>		B 84016407.cpm	01
CAD FILE NAME:		PAGE 33 OF 47	

# CHARGING



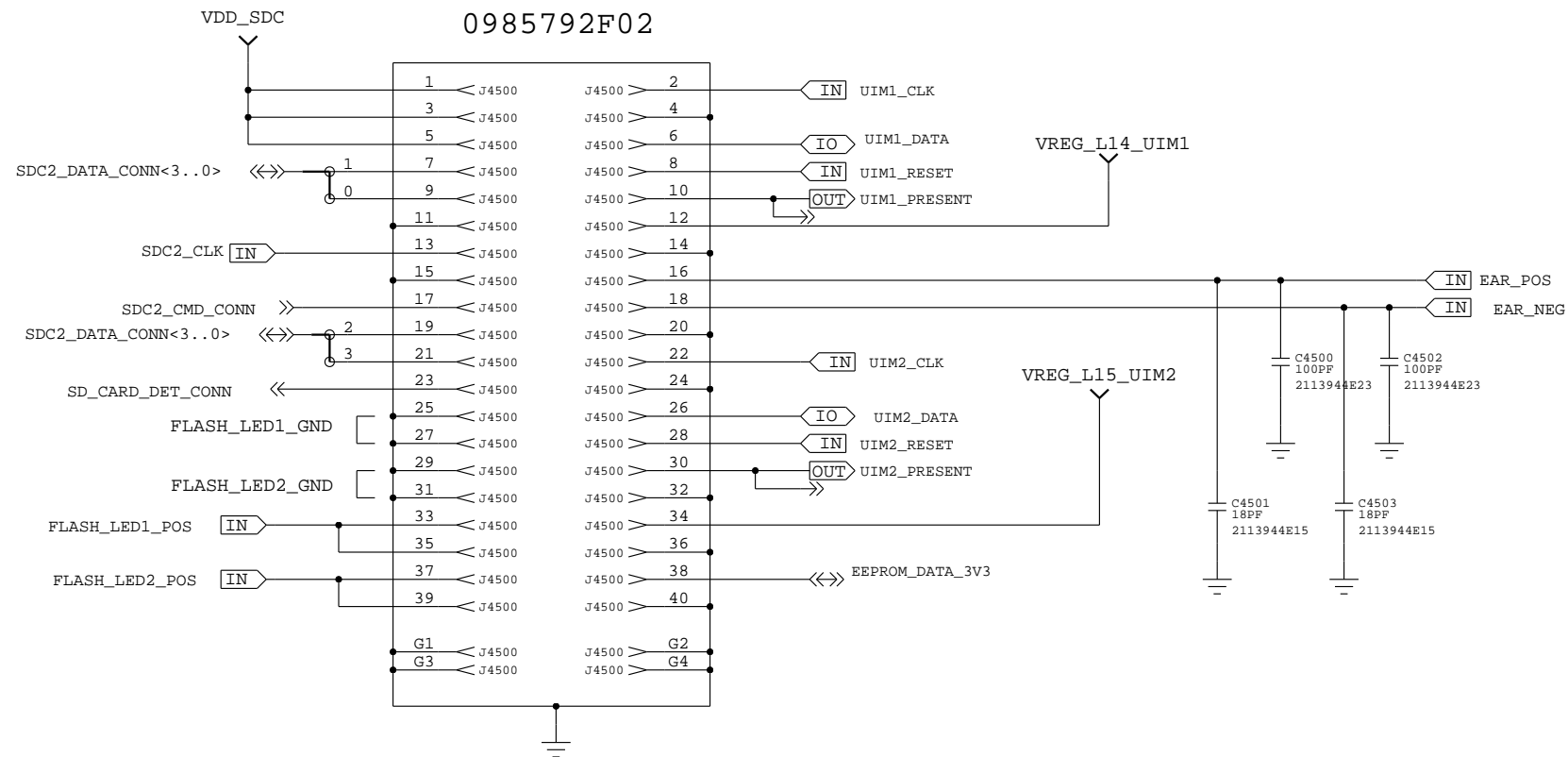
## FUEL GAUGE



APPROVALS		<b>MOTOROLA</b> MOBILE DEVICES	
ENGINEER: MMI		BLOCK TITLE:	
LAST MODIFIED BY: MMI Mon May 11 16:30:45 2015		user_interface	
MOTOROLA CONFIDENTIAL RESTRICTED <small>THE DRAWING ON THIS PRINT AND INFORMATION THEREWITH ARE PROPRIETARY TO MOTOROLA AND SHALL NOT BE USED OR DISCUSSED IN WHOLE OR IN PART WITHOUT MOTOROLA'S CONSENT.                  © COPYRIGHT, MOTOROLA. THIS DOES NOT IMPLY PUBLICATION</small>		PROJECT NAME B 84016407.cpm	REV 01
		CAD FILE NAME:	
		PAGE 34 OF 47	

# DAUGHTER BOARD CONNECTOR

REF 4500-4599

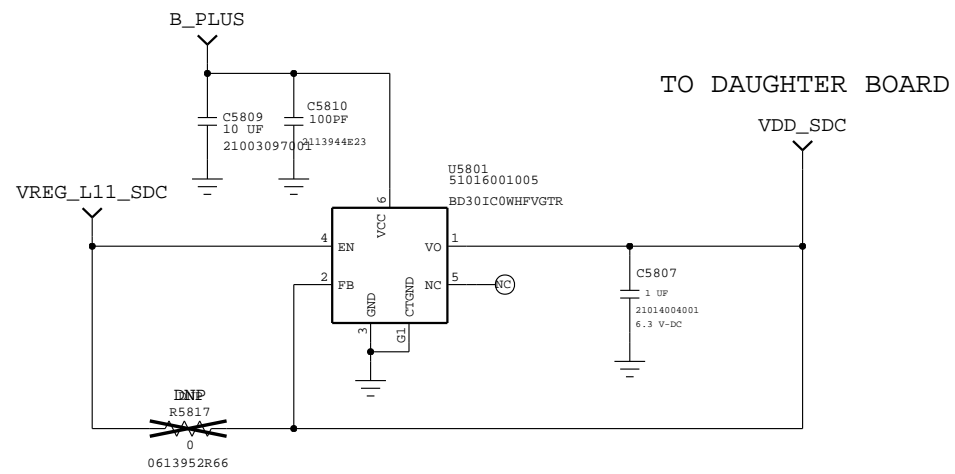


MOTOROLA MOBILITY CONFIDENTIAL RESTRICTED-MDR TRACKED TRACKEDANDBLOCKED

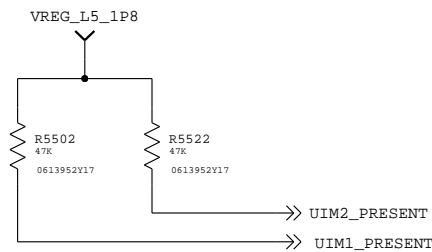
APPROVALS		<b>MOTOROLA</b> MOBILE DEVICES	
ENGINEER: CARI HERNANDEZ		BLOCK TITLE:	
LAST MODIFIED BY: CARI HERNANDEZ Mon May 11 16:30:54 2015		daughter_board_conn	
MOTOROLA CONFIDENTIAL RESTRICTED <small>THE DRAWING ON THIS PRINT AND INFORMATION THEREWITH ARE PROPRIETARY TO MOTOROLA AND SHALL NOT BE USED OR DISCUSSED IN WHOLE OR IN PART WITHOUT MOTOROLA'S CONSENT. © COPYRIGHT, MOTOROLA. THIS DOES NOT IMPLY PUBLICATION</small>		PROJECT NAME B 84016407.cpm	REV 01
		CAD FILE NAME:	
		PAGE 35 OF 47	

# SIM/SD/FLASH CARD SUPPORT

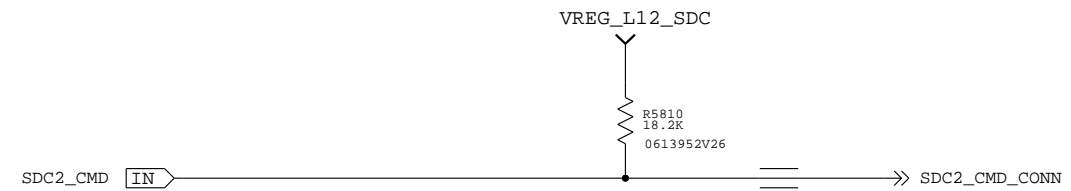
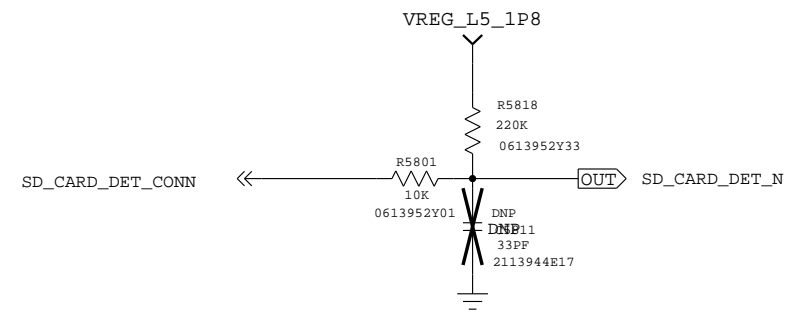
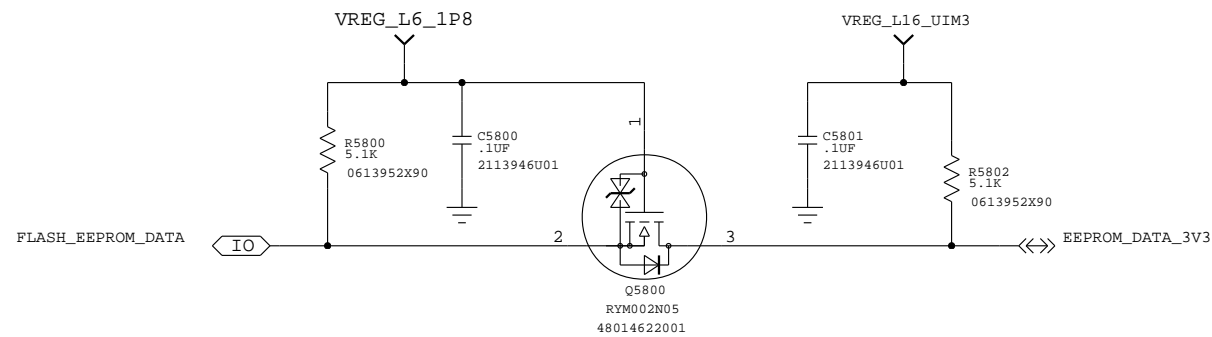
## SD CARD POWER SUPPLY



## PULLUPS FOR SIM DETECT



## LEVEL SHIFT FOR FLASH LED EEPROM DATA

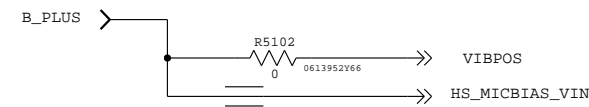
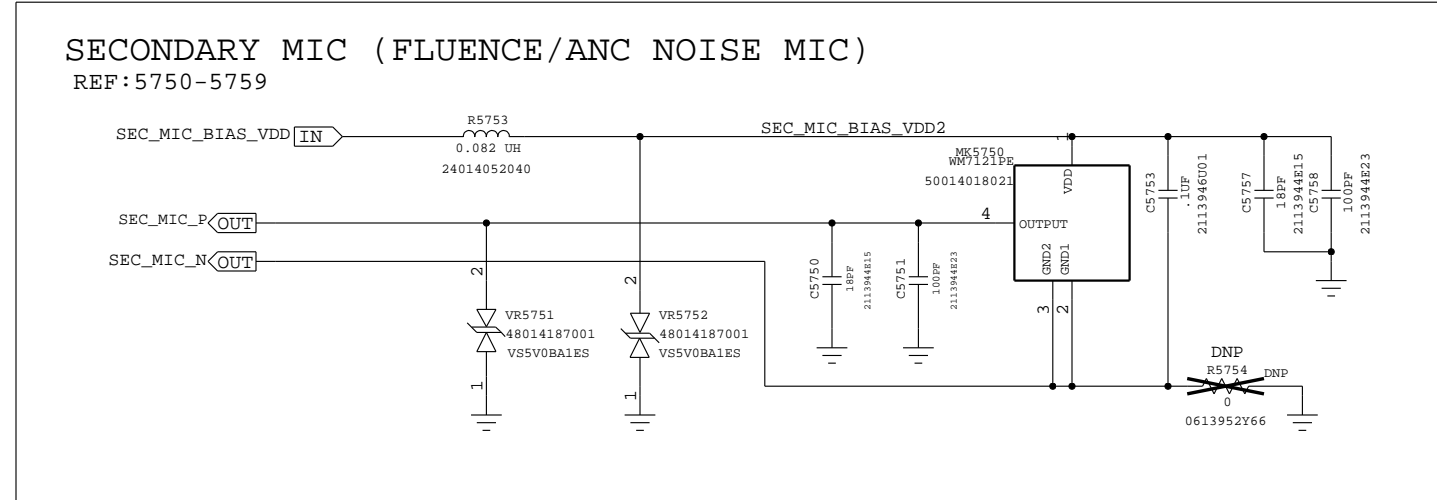
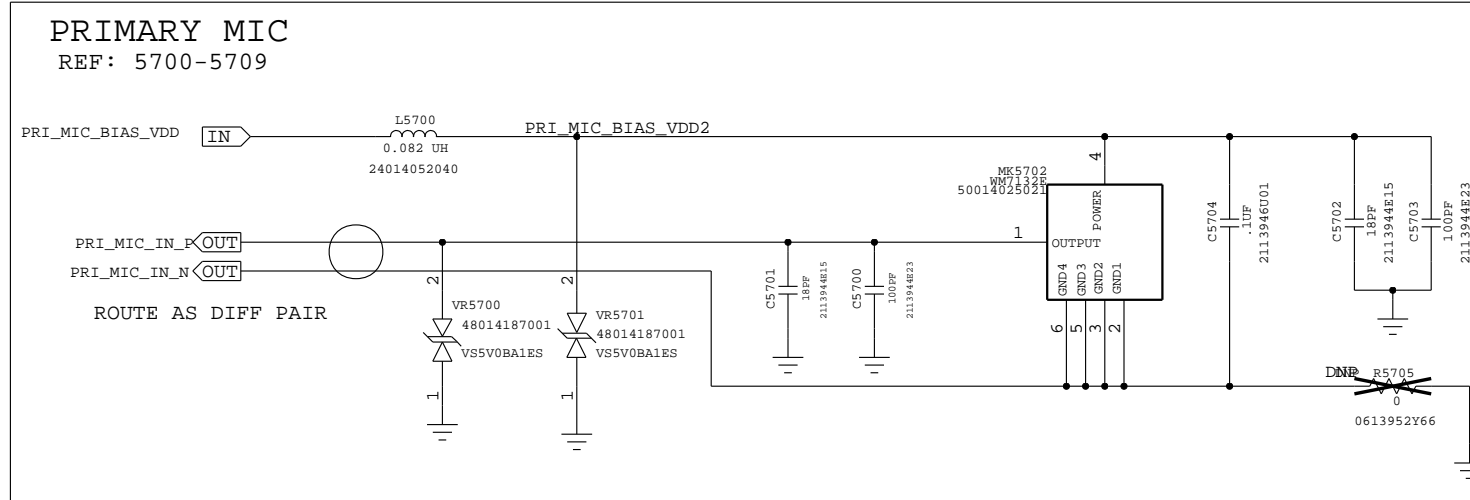


MOTOROLA MOBILITY CONFIDENTIAL RESTRICTED-MDR\_TRACKED\_TRACKEDANDBLOCKED

APPROVALS		<b>MOTOROLA</b> MOBILE DEVICES	
ENGINEER: CARLOS TORRES		BLOCK TITLE:	
LAST MODIFIED BY: CARLOS TORRES Mon May 11 16:30:55 2015		daughter_board_conn	
MOTOROLA CONFIDENTIAL RESTRICTED THE DRAWING ON THIS PRINT AND INFORMATION THEREWITH ARE PROPRIETARY TO MOTOROLA AND SHALL NOT BE USED OR DISCUSSED IN WHOLE OR IN PART WITHOUT MOTOROLA'S CONSENT. © COPYRIGHT, MOTOROLA. THIS DOES NOT IMPLY PUBLICATION		PROJECT NAME B 84016407.cpm	REV 01
CAD FILE NAME:		PAGE 36 OF 47	

# MICS

REF: 5700-5799

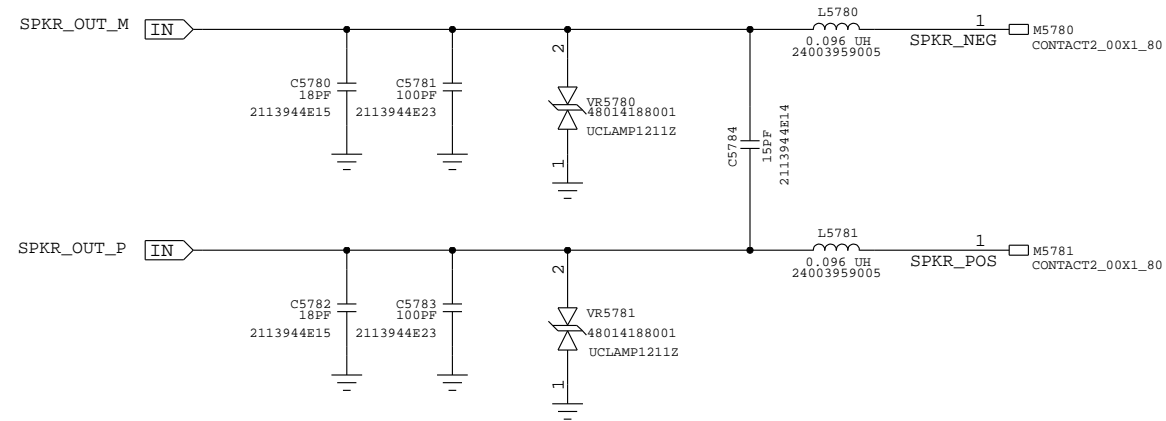


APPROVALS		<b>MOTOROLA</b> MOBILE DEVICES	
ENGINEER: DENNIS BUDNICK		BLOCK TITLE:	
LAST MODIFIED BY: NATE CONNELL Mon May 11 16:30:57 2015		audio_fe	
MOTOROLA CONFIDENTIAL RESTRICTED <small>THE DRAWING ON THIS PRINT AND INFORMATION THEREWITH ARE PROPRIETARY TO MOTOROLA AND SHALL NOT BE USED OR DISCUSSED IN WHOLE OR IN PART WITHOUT MOTOROLA'S CONSENT. © COPYRIGHT, MOTOROLA. THIS DOES NOT IMPLY PUBLICATION</small>		PROJECT NAME B 84016407.cpm	REV 01
		CAD FILE NAME:	
		PAGE 37 OF 47	

# SPEAKER\_VIB

## LOUDSPEAKER

REF:5780-5789



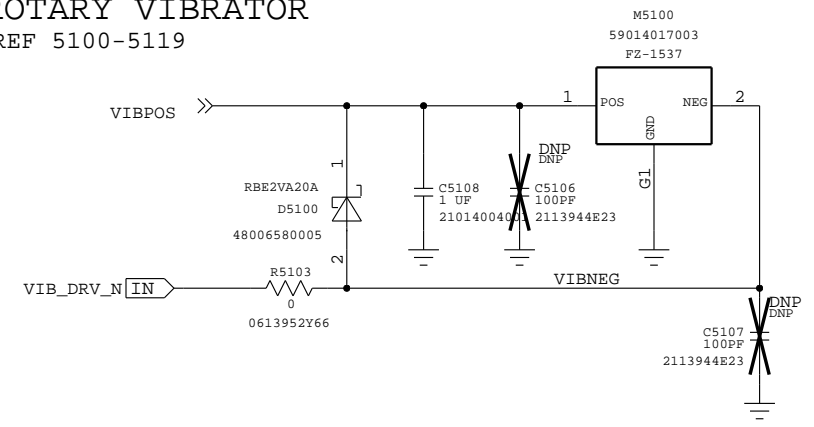
## EARPIECE TRANSDUCER

REF:5780-5789

EARPIECE MOVED TO DAUGHTER CARD

## ROTARY VIBRATOR

REF 5100-5119



### APPROVALS

ENGINEER: DENNIS BUDNICK

LAST MODIFIED BY: TIM MILLER  
Mon May 11 16:30:57 2015

MOTOROLA CONFIDENTIAL RESTRICTED

THE DRAWING ON THIS PRINT AND INFORMATION  
THEREWITH ARE PROPRIETARY TO MOTOROLA AND  
SHALL NOT BE USED OR DISCUSSED IN WHOLE  
OR IN PART WITHOUT MOTOROLA'S CONSENT.  
© COPYRIGHT, MOTOROLA. THIS DOES  
NOT IMPLY PUBLICATION



BLOCK TITLE:

audio\_fe

PROJECT NAME  
B 84016407.cpm

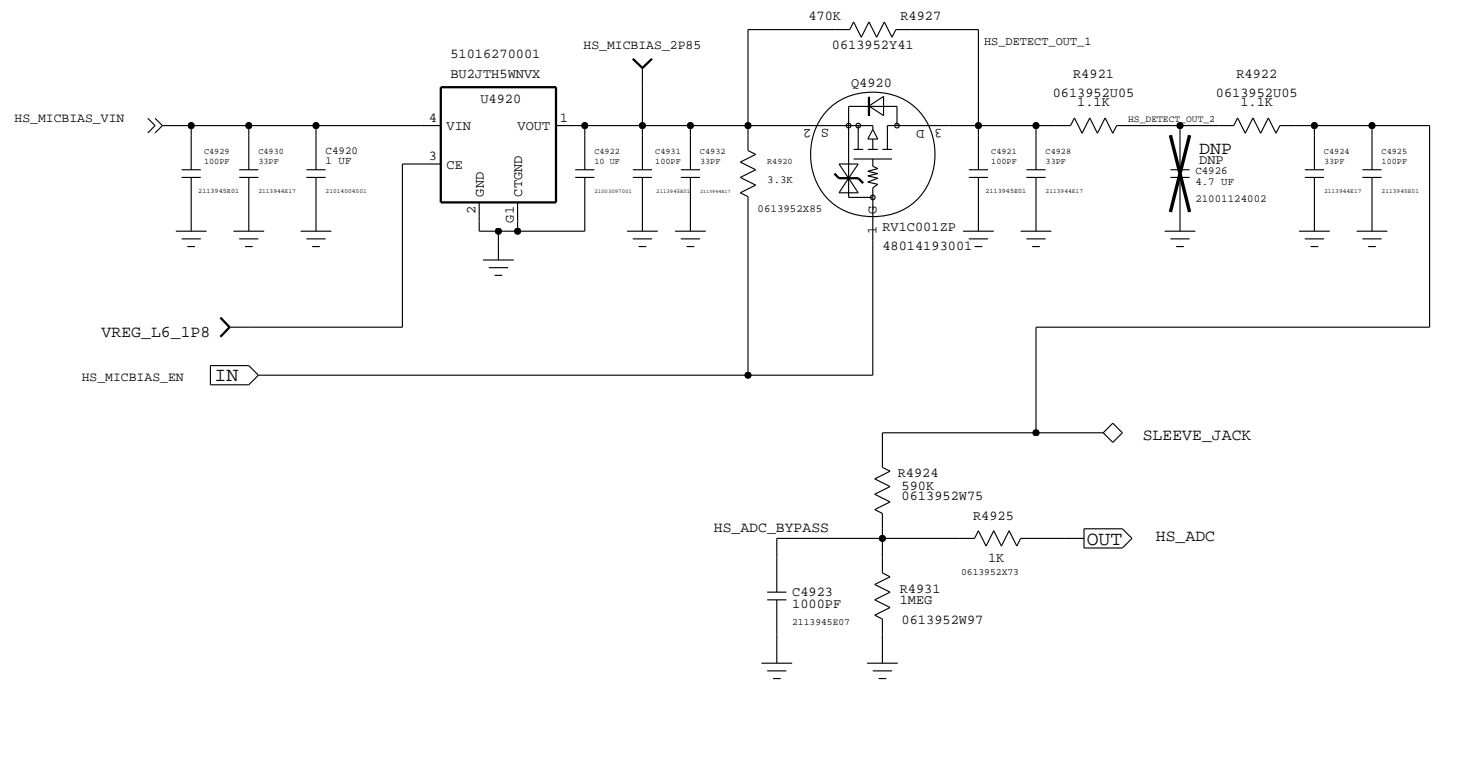
REV  
01

CAD FILE NAME:

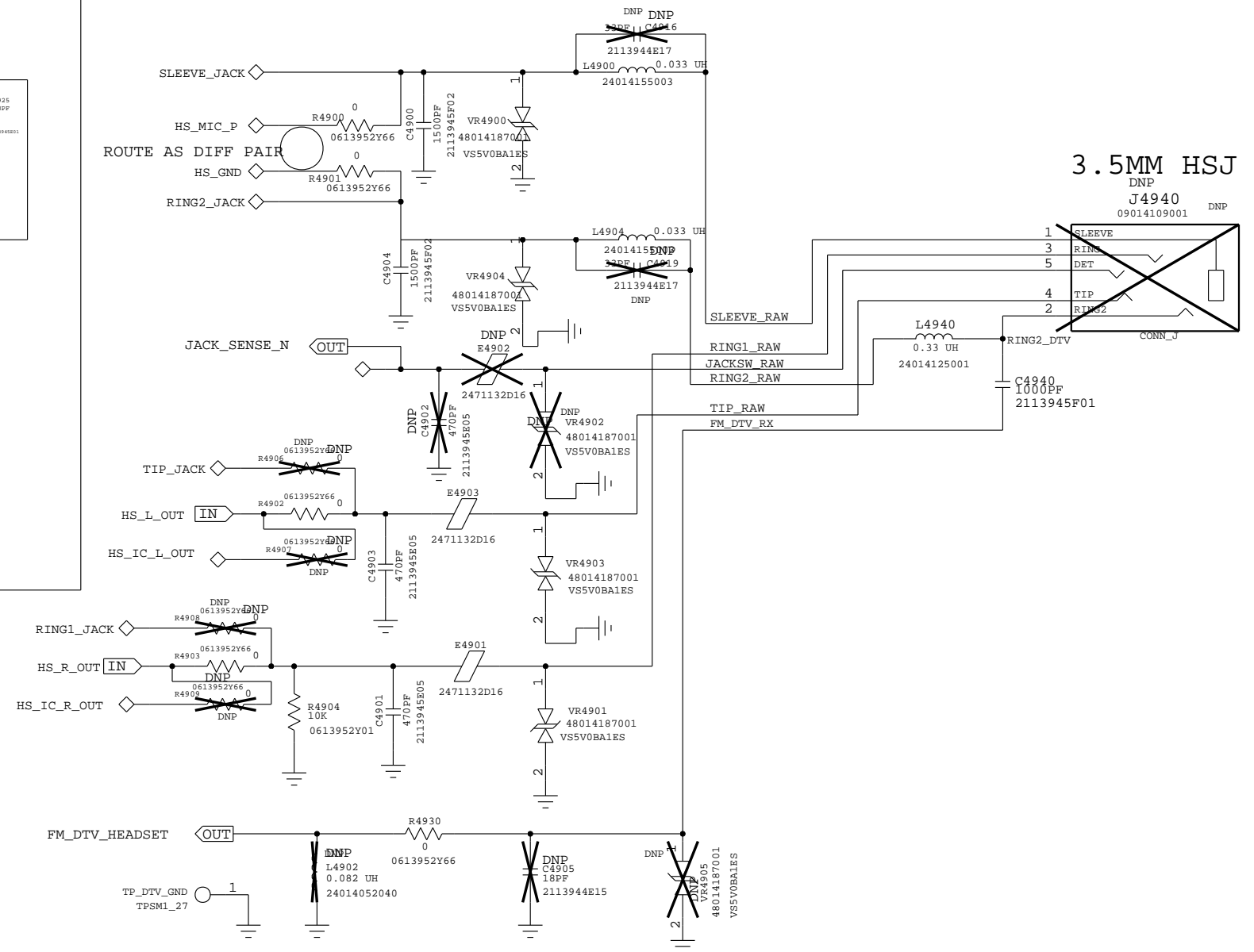
PAGE 38 OF 47

# 3.5MM HEADSET

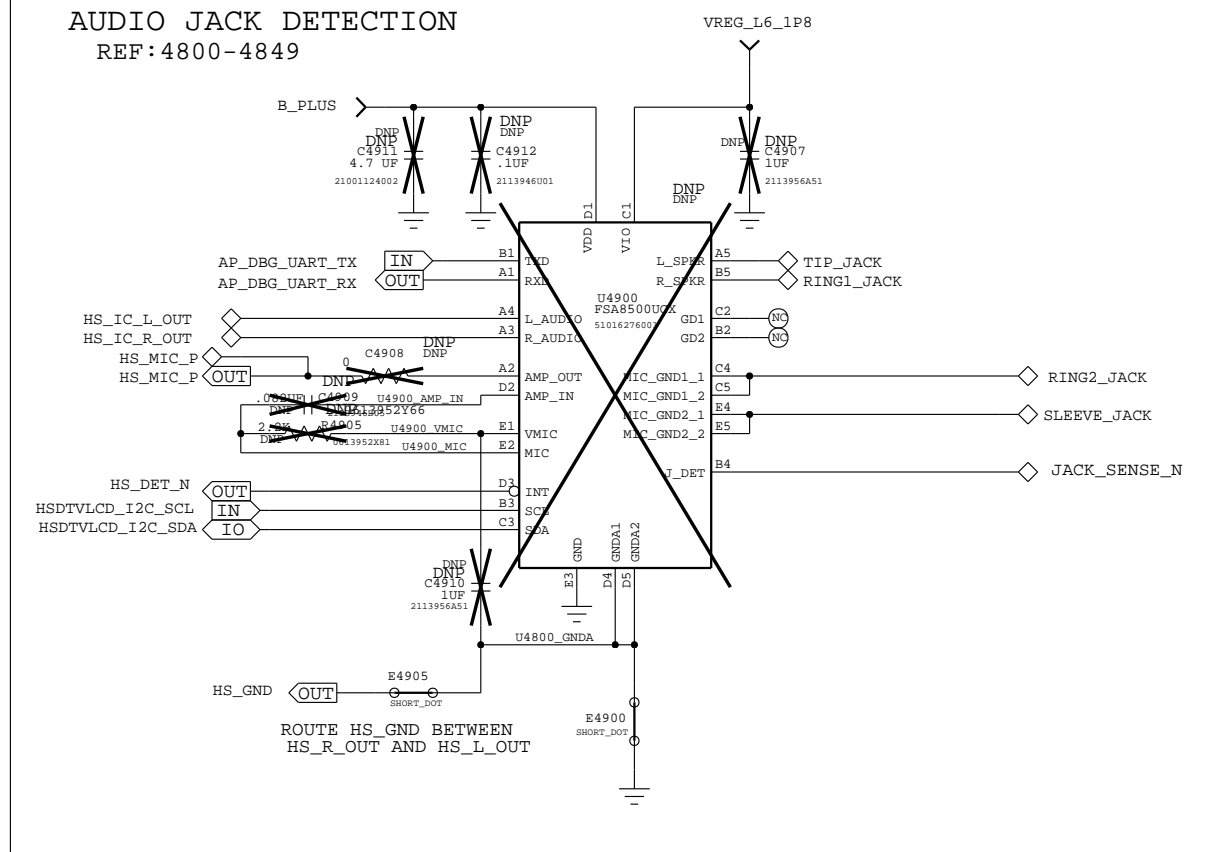
SENSOR HUB HEADSET DETECTION CIRCUIT



REF: 4900-4949



AUDIO JACK DETECTION  
REF: 4800-4849



APPROVALS

ENGINEER: MMI  
LAST MODIFIED BY: MMI  
Mon May 11 16:30:56 2015

MOTOROLA CONFIDENTIAL RESTRICTED

THE DRAWING ON THIS PRINT AND INFORMATION THEREWITH ARE PROPRIETARY TO MOTOROLA AND SHALL NOT BE USED OR DISCUSSED IN WHOLE OR IN PART WITHOUT MOTOROLA'S CONSENT.  
© COPYRIGHT, MOTOROLA. THIS DOES NOT IMPLY PUBLICATION



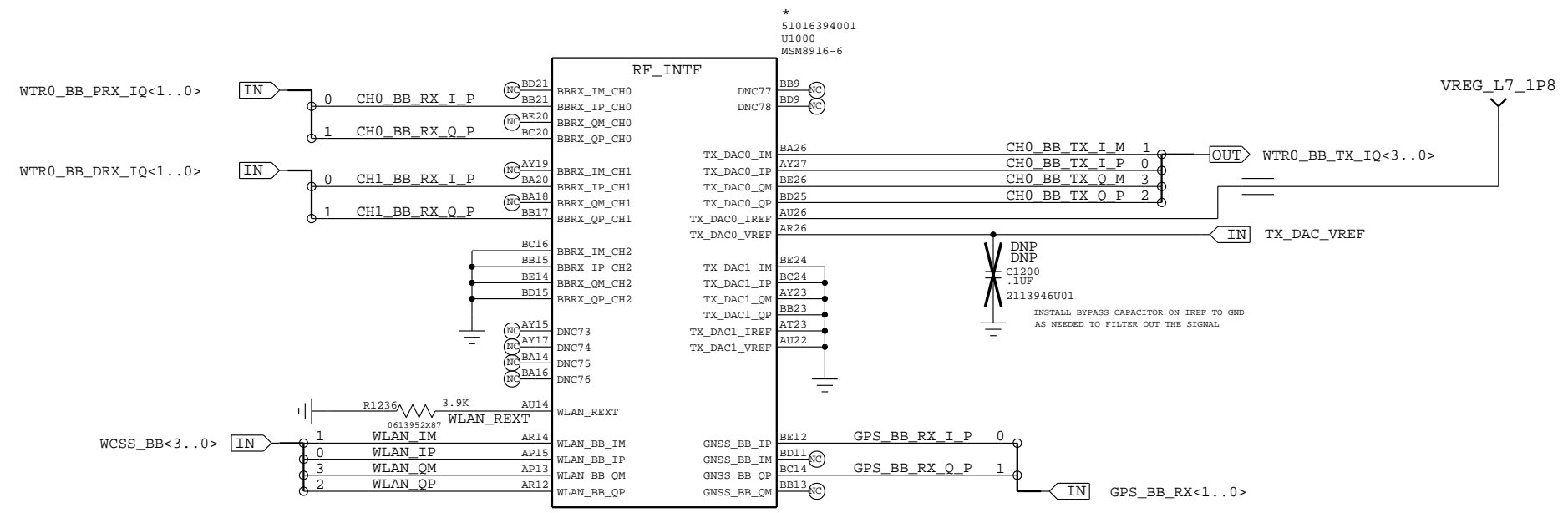
BLOCK TITLE:  
**audio\_fe**

B	PROJECT NAME	REV
	84016407.cpm	01

CAD FILE NAME:

# MSM8X36 RF INTERFACE

## REF 1200-1299



INFO: QC DOES NOT HAVE SOME BUSES SO SOME OF THE NAMES ARE COPIED FROM DVX

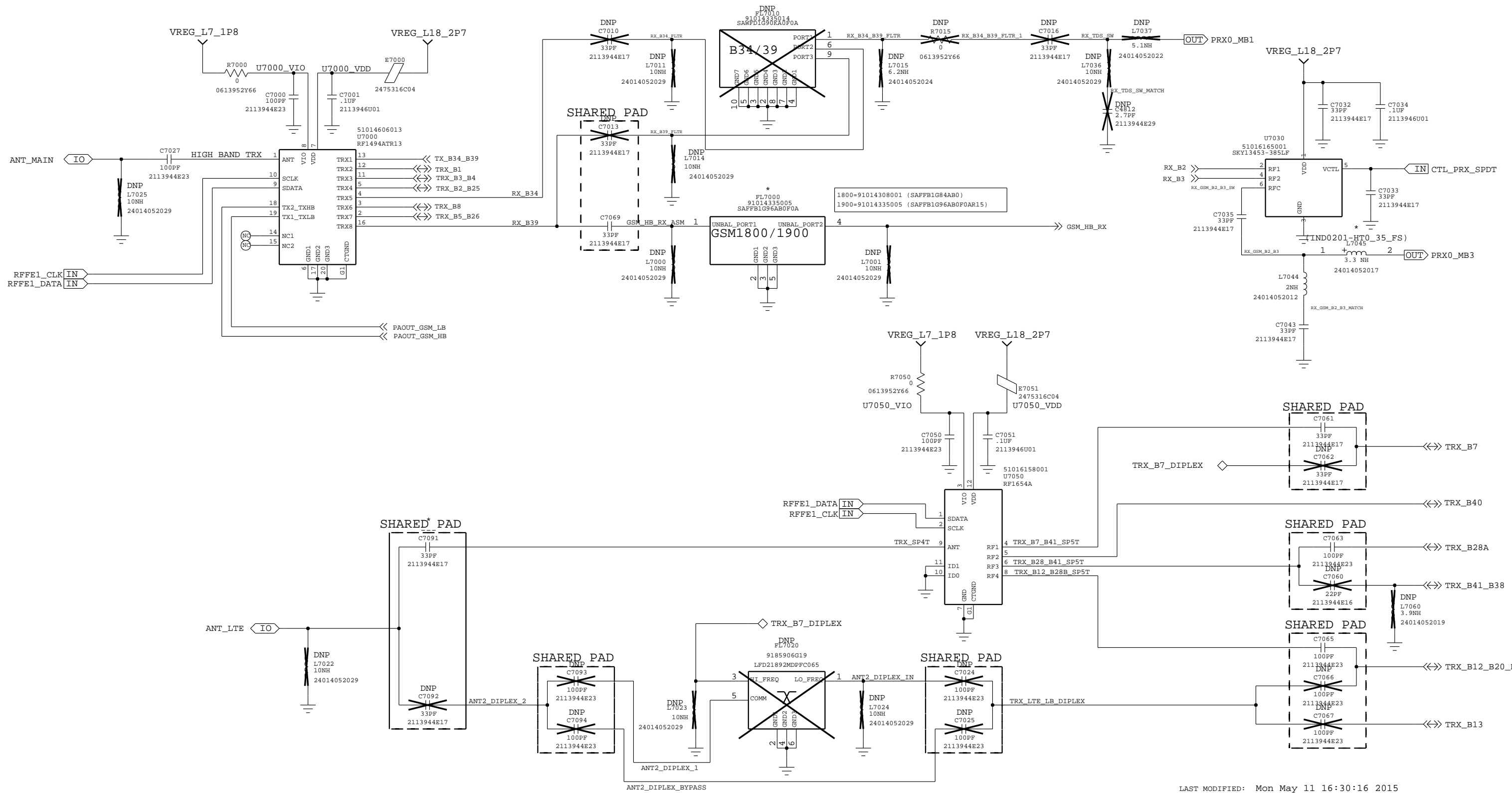
APPROVALS		<b>MOTOROLA</b> MOBILE DEVICES	
ENGINEER:		BLOCK TITLE:	
LAST MODIFIED BY: FAN021 Mon May 11 16:30:59 2015		<b>block_msm8x16_rf</b>	
MOTOROLA CONFIDENTIAL RESTRICTED <small>THE DRAWING ON THIS PRINT AND INFORMATION THEREWITH ARE PROPRIETARY TO MOTOROLA AND SHALL NOT BE USED OR DISCUSSED IN WHOLE OR IN PART WITHOUT MOTOROLA'S CONSENT.          © COPYRIGHT, MOTOROLA. THIS DOES NOT IMPLY PUBLICATION</small>		PROJECT NAME <b>B 84016407.cpm</b>	REV <b>01</b>
		CAD FILE NAME:	
		PAGE 40 OF 47	



# RFFE:SP10T+SP4T

REF 7000-7099

REVISIONS				
REV	ECN	DESCRIPTION	MADE BY	APPROVED



LAST MODIFIED: Mon May 11 16:30:16 2015

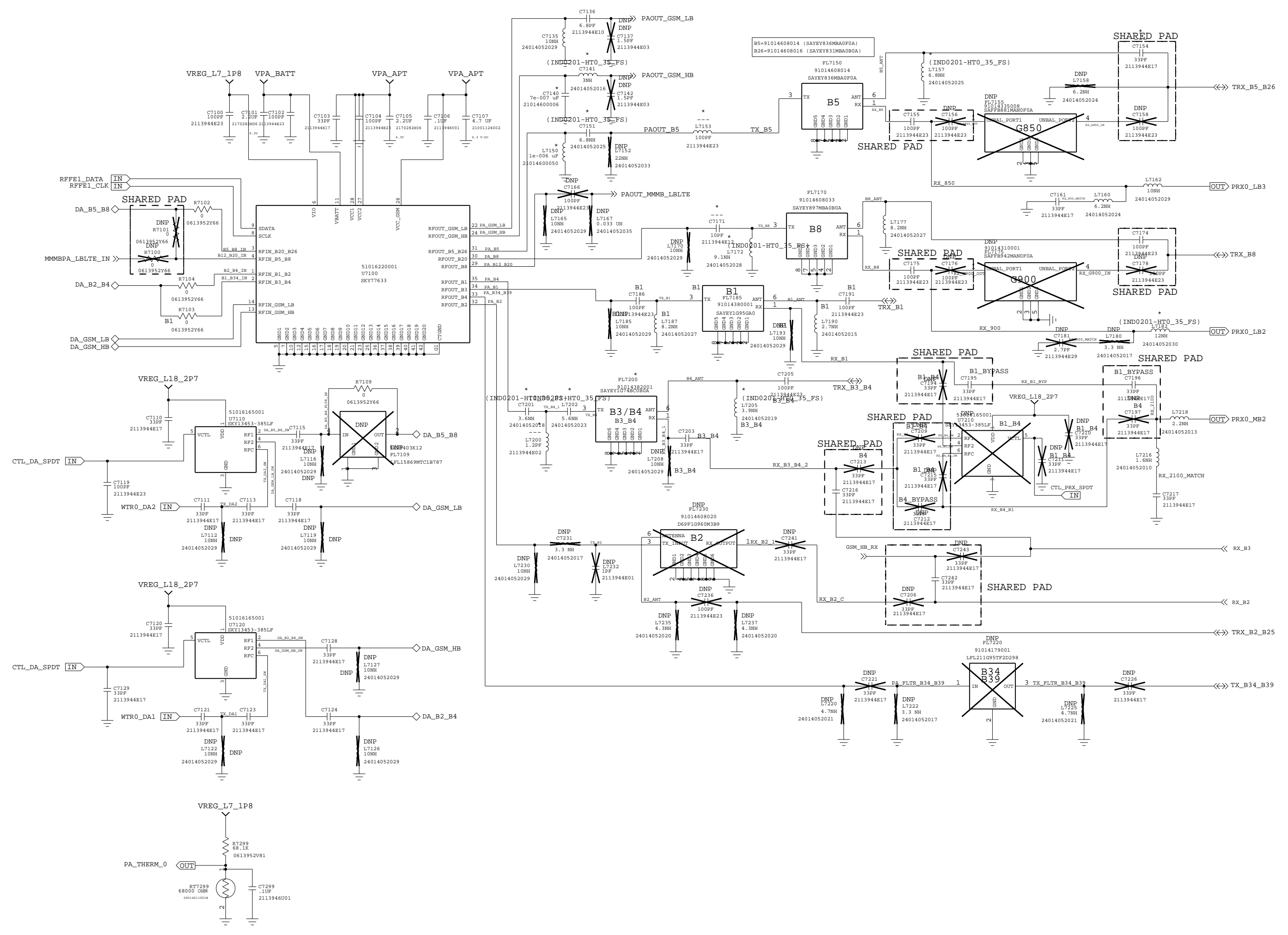
DRAWING NUMBER: <b>84</b>		<b>MOTOROLA</b>	
DRAWN BY:	DATE:	TITLE:	REV 01
LEAD ENGINEER:	DATE:		SIZE B
ASSY NUMBER:	PCB FILE NAME:	PAGE 41 OF 47	

MOTOROLA CONFIDENTIAL RESTRICTED

RFFE : MMBBPA

REF 7100-7299

REVISIONS				
REV	ECN	DESCRIPTION	MADE BY	APPROVED



LAST MODIFIED: Mon May 11 16:30:14 2015

DRAWING NUMBER: <b>84</b>			
DRAWN BY:	DATE:	TITLE:	REV <b>01</b>
LEAD ENGINEER:	DATE:		SIZE <b>C</b>
ASSY NUMBER:	PCB FILE NAME:	PAGE 42 OF 47	

MOTOROLA CONFIDENTIAL RESTRICTED

# RFFE:HBPA

REF 7300-7399

D

C

B

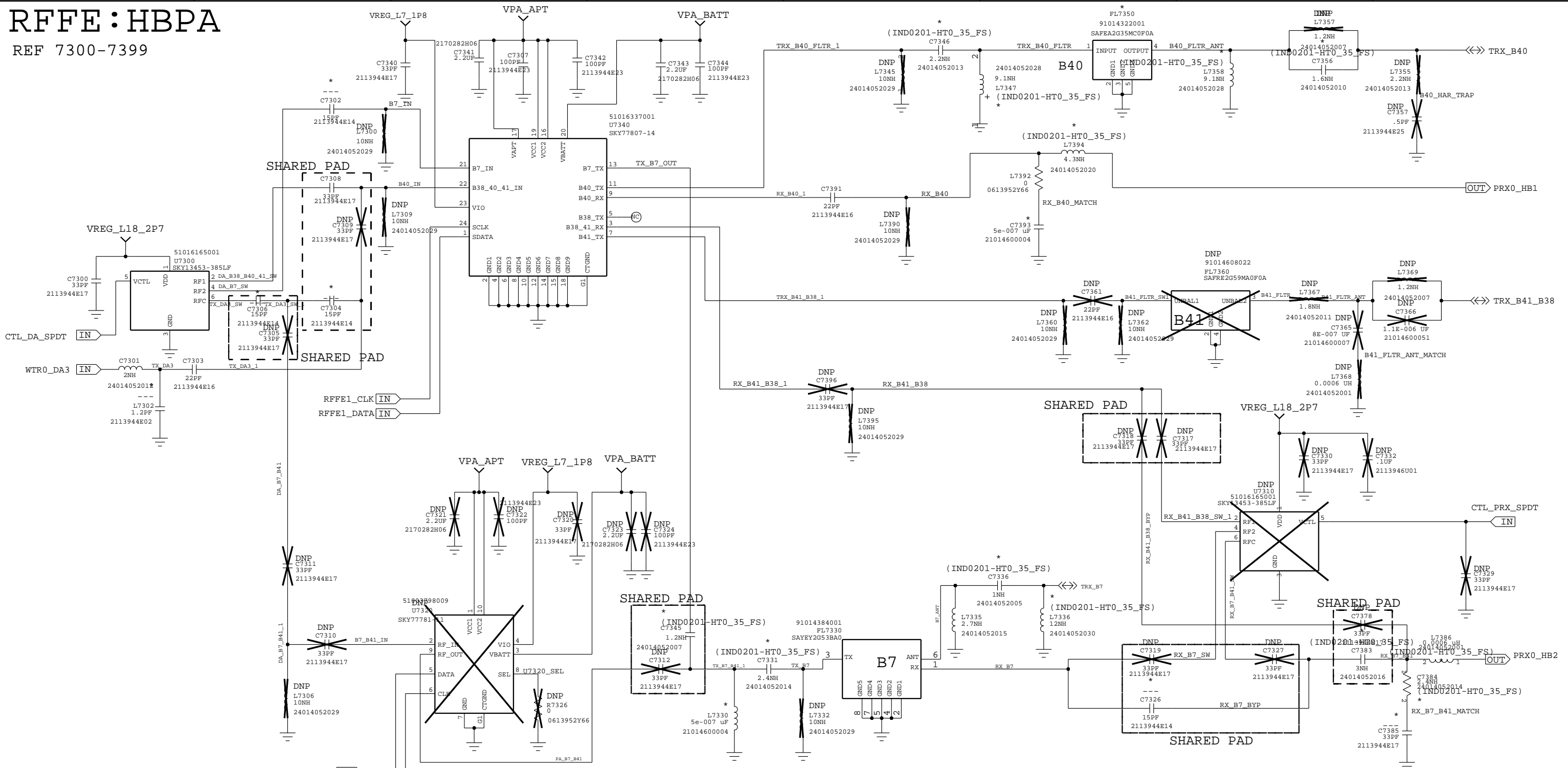
A

D

C

B

A

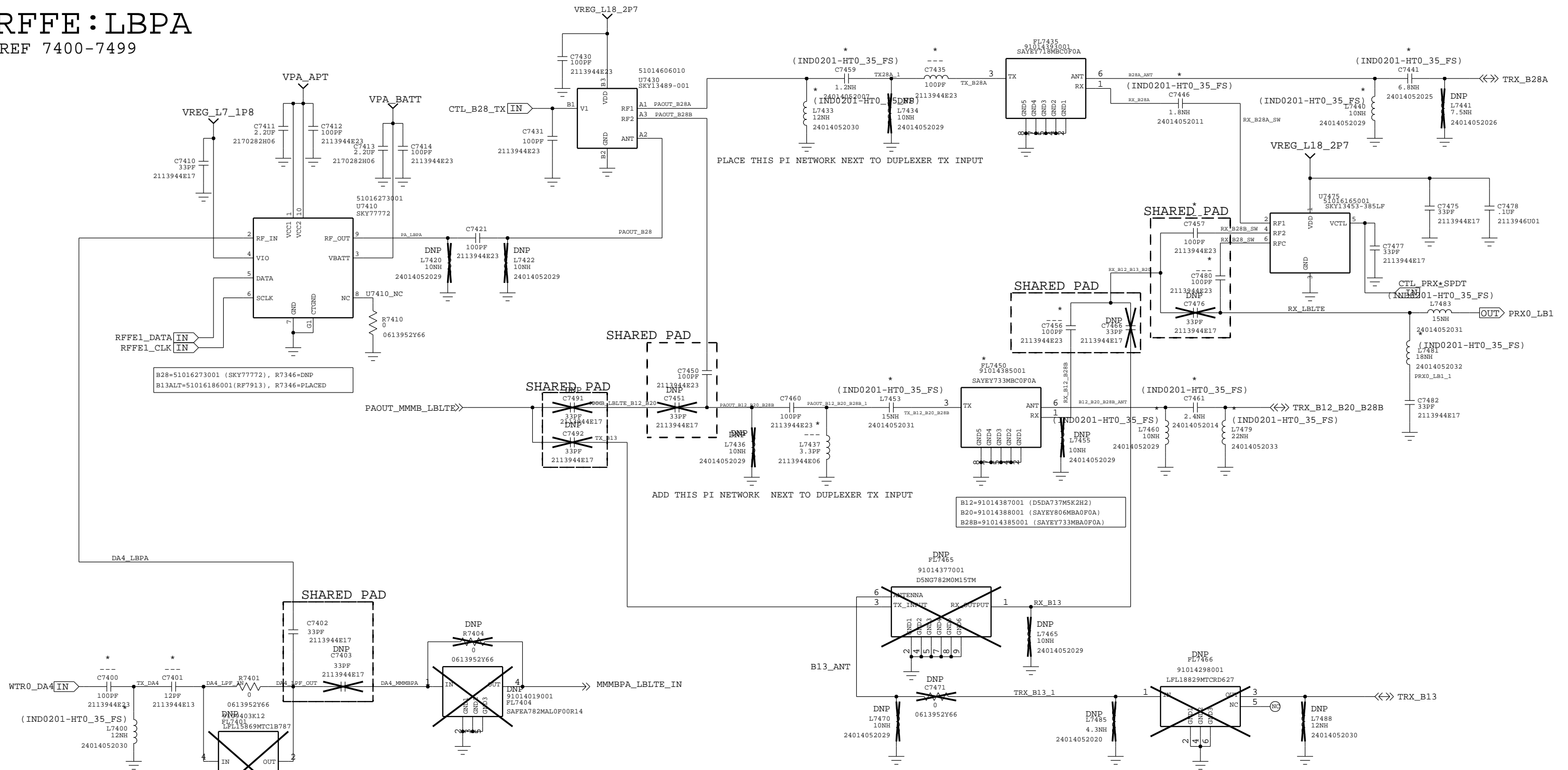


FOR MULTIPLE VENDOR CAPATIBILITY  
B7=SKY77781-11, R7326=PLACED

APPROVALS		<b>MOTOROLA</b> MOBILE DEVICES	
ENGINEER: MMI		BLOCK TITLE:	
LAST MODIFIED BY: MMI		block_rfpe	
Mon May 11 16:30:09 2015			
MOTOROLA CONFIDENTIAL RESTRICTED			
THE DRAWING ON THIS PRINT AND INFORMATION THEREWITH ARE PROPRIETARY TO MOTOROLA AND SHALL NOT BE USED OR DISCUSSED IN WHOLE OR IN PART WITHOUT MOTOROLA'S CONSENT. © COPYRIGHT, MOTOROLA. THIS DOES NOT IMPLY PUBLICATION			
		PROJECT NAME	REV
		B 84016407.cpm	01
		CAD FILE NAME:	
		PAGE 43 OF 47	

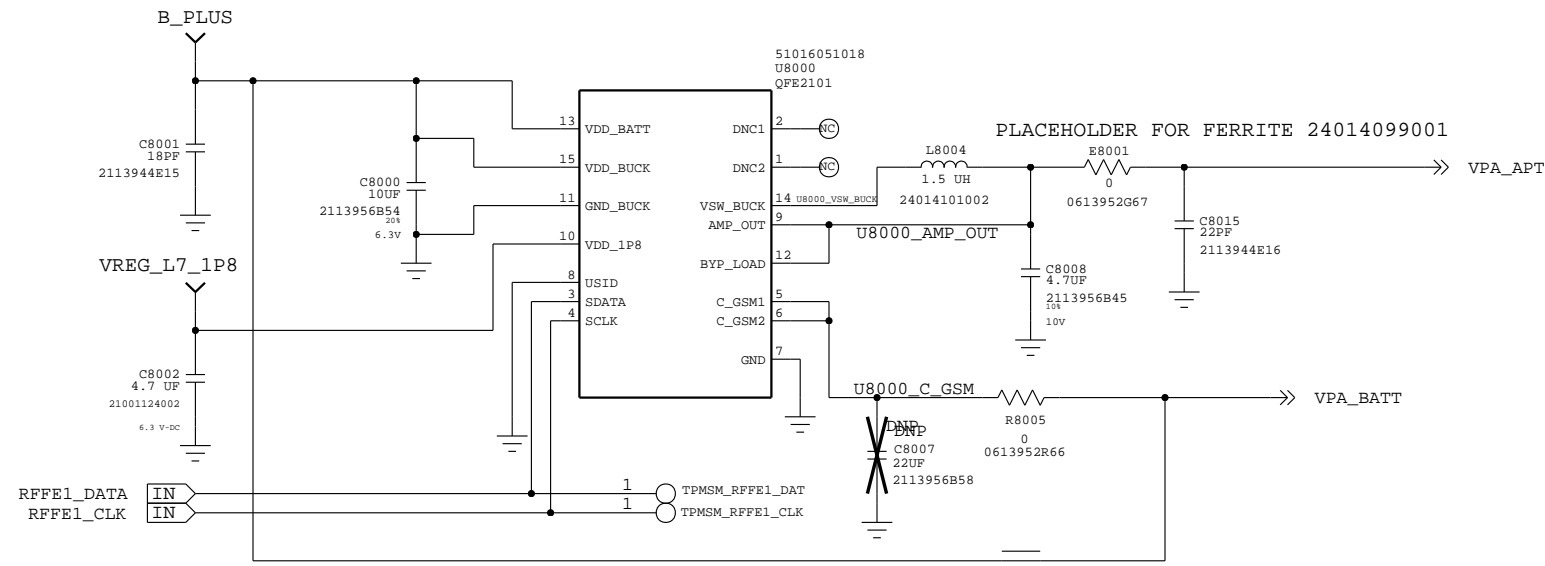
# RFFE:LBPA

REF 7400-7499



APPROVALS		<b>MOTOROLA</b> MOBILE DEVICES	
ENGINEER: MMI		BLOCK TITLE:	
LAST MODIFIED BY: MMI Mon May 11 16:30:11 2015		<b>block_rffe</b>	
MOTOROLA CONFIDENTIAL RESTRICTED		PROJECT NAME	REV
THE DRAWING ON THIS PRINT AND INFORMATION THEREWITH ARE PROPRIETARY TO MOTOROLA AND SHALL NOT BE USED OR DISCUSSED IN WHOLE OR IN PART WITHOUT MOTOROLA'S CONSENT. © COPYRIGHT, MOTOROLA. THIS DOES NOT IMPLY PUBLICATION		B 84016407.cpm	01
		CAD FILE NAME:	
		PAGE 44 OF 47	

RFFE:QFE2101  
REF 8000-8020



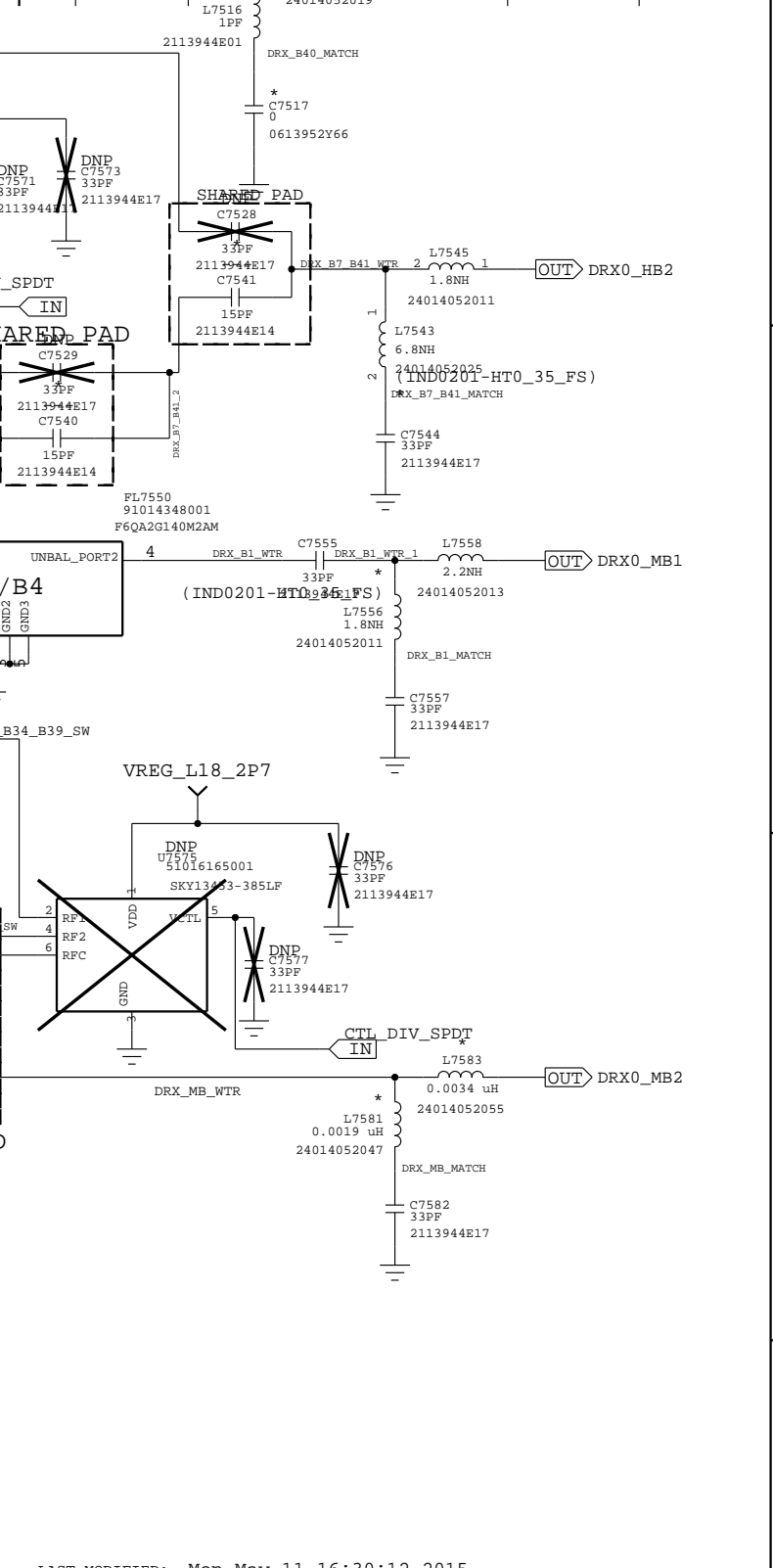
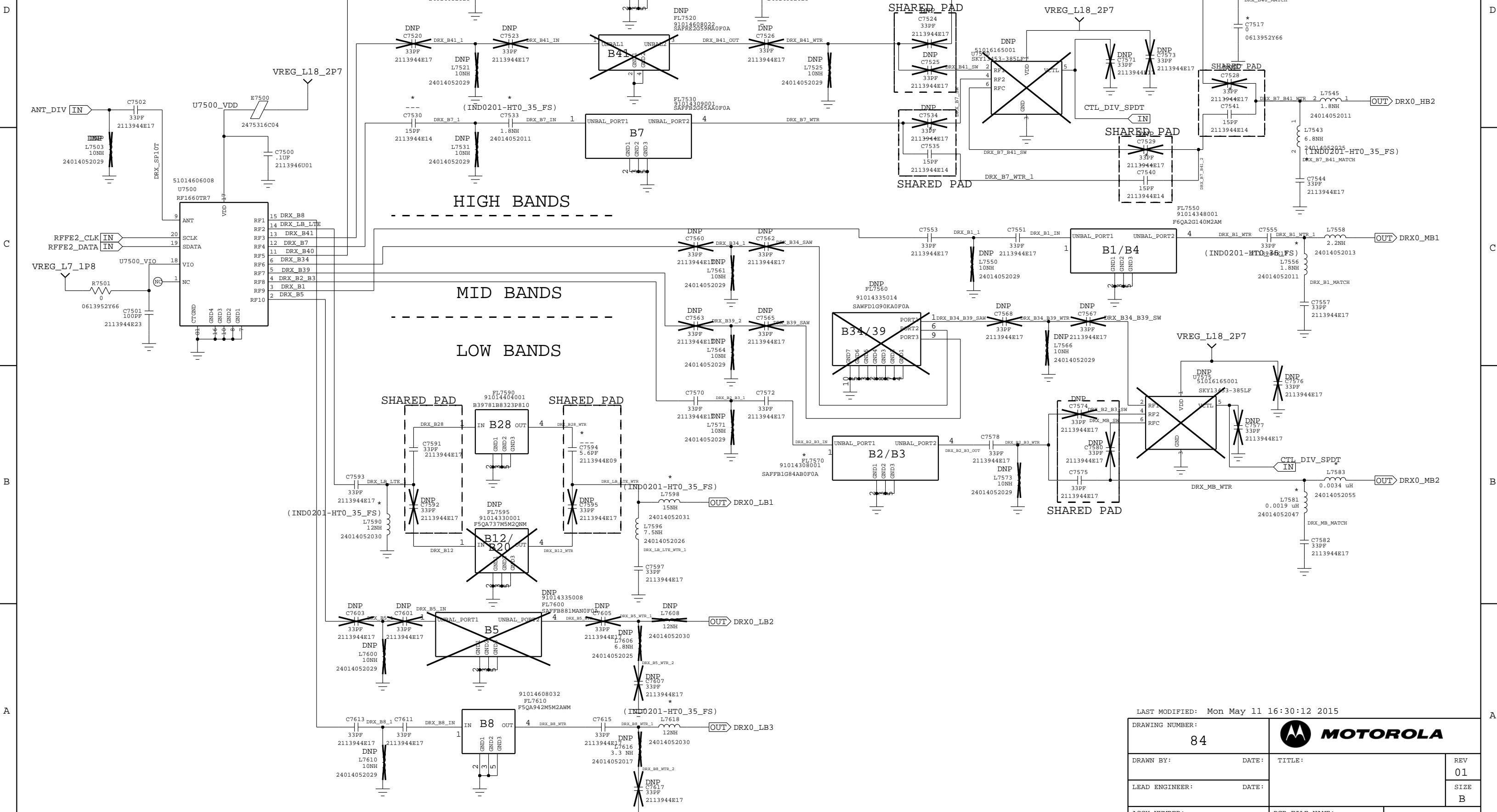
BYPASS OPTION FOR VPA\_VBATT  
DNP APPROPRIATELY

APPROVALS		<b>MOTOROLA</b> MOBILE DEVICES	
ENGINEER: MMI		BLOCK TITLE:	
LAST MODIFIED BY: MMI Mon May 11 16:30:17 2015		block_rffe	
MOTOROLA CONFIDENTIAL RESTRICTED <small>THE DRAWING ON THIS PRINT AND INFORMATION THEREWITH ARE PROPRIETARY TO MOTOROLA AND SHALL NOT BE USED OR DISCUSSED IN WHOLE OR IN PART WITHOUT MOTOROLA'S CONSENT. © COPYRIGHT, MOTOROLA. THIS DOES NOT IMPLY PUBLICATION</small>		PROJECT NAME B 84016407.cpm	REV 01
		CAD FILE NAME:	
		PAGE 45 OF 47	

# RFFE: DIVERSITY

## REF 7500-7649

REVISIONS				
REV	ECN	DESCRIPTION	MADE BY	APPROVED
		(IND0201-HT0_35_FS)		
		(IND0201-HT0_35_FS)		
		(IND0201-HT0_35_FS)		

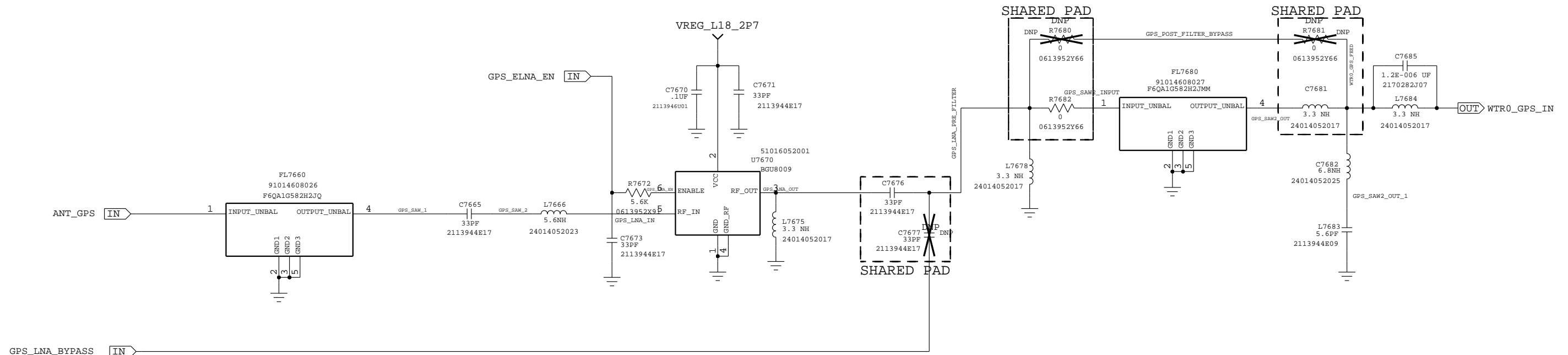


LAST MODIFIED: Mon May 11 16:30:12 2015				
DRAWING NUMBER:				
84				
DRAWN BY:	DATE:	TITLE:	REV	01
LEAD ENGINEER:	DATE:		SIZE	B
ASSY NUMBER:	PCB FILE NAME:	PAGE 46 OF 47		

# RFFE: GPS

REF 7650-7699

## GPS



APPROVALS		<b>MOTOROLA</b> MOBILE DEVICES	
ENGINEER: MMI		BLOCK TITLE:	
LAST MODIFIED BY: MMI		block_rffe	
<p><b>Wed May 17 08:38:08 2015</b></p> <p>MOTOROLA CONFIDENTIAL RESTRICTED</p> <p>THE DRAWING ON THIS PRINT AND INFORMATION THEREWITH ARE PROPRIETARY TO MOTOROLA AND SHALL NOT BE USED OR DISCUSSED IN WHOLE OR IN PART WITHOUT MOTOROLA'S CONSENT. © COPYRIGHT, MOTOROLA. THIS DOES NOT IMPLY PUBLICATION</p>		PROJECT NAME B 84016407.cpm	REV 01
		CAD FILE NAME:	
		PAGE 47 OF 47	