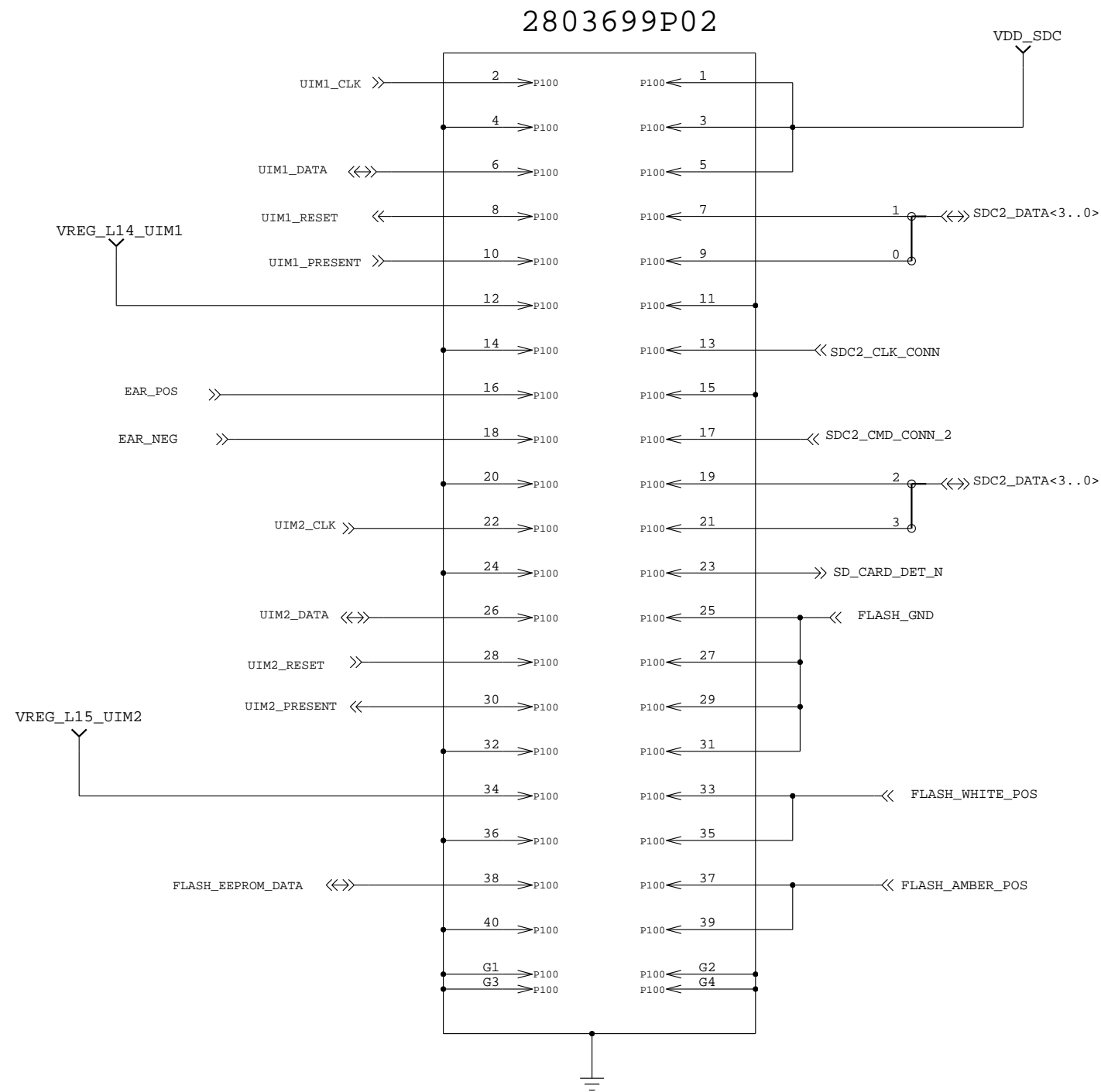


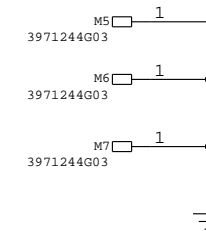
CALLISTO DAUGHTER CARD

REV B
04/03/2015

| REVISIONS | | | | |
|-----------|-----|-------------|---------|----------|
| REV | ECN | DESCRIPTION | MADE BY | APPROVED |
| | | | | |



GROUND CONTACTS TO MAIN BOARD SHIELDS



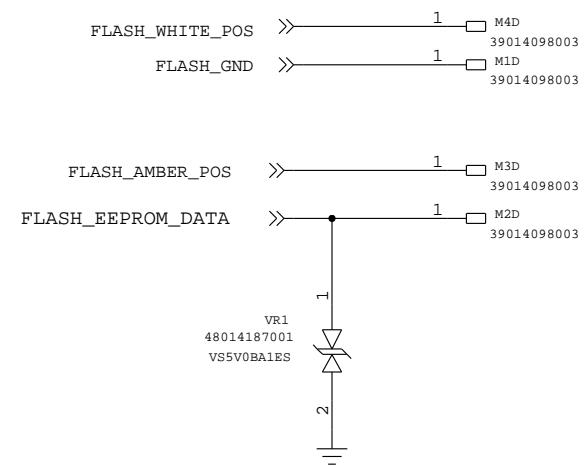
LAST MODIFIED: Tue Apr 07 16:56:59 2015


| | | | |
|--------------------------------|----------------|-------------|-----------|
| DRAWING NUMBER: 84016408002 | | | |
| DRAWN BY: | DATE: | TITLE: | REV B |
| LEAD ENGINEER: | DATE: | | SIZE B |
| ASSY NUMBER: | PCB FILE NAME: | PAGE 1 OF 5 | |

MOTOROLA CONFIDENTIAL RESTRICTED

CAMERA FLASH LEDS

| REVISIONS | | | | |
|-----------|-----|-------------|---------|----------|
| REV | ECN | DESCRIPTION | MADE BY | APPROVED |
| | | | | |



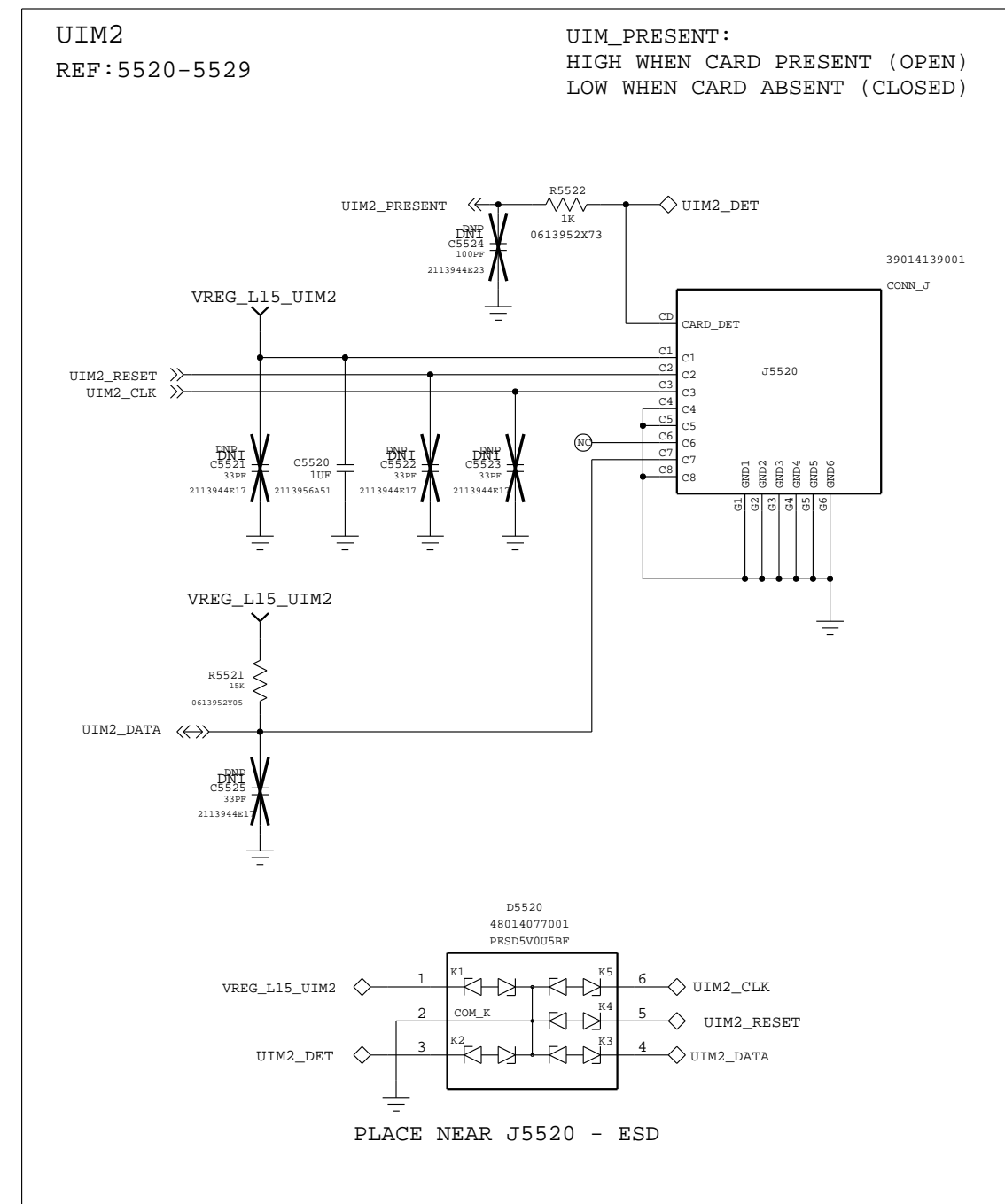
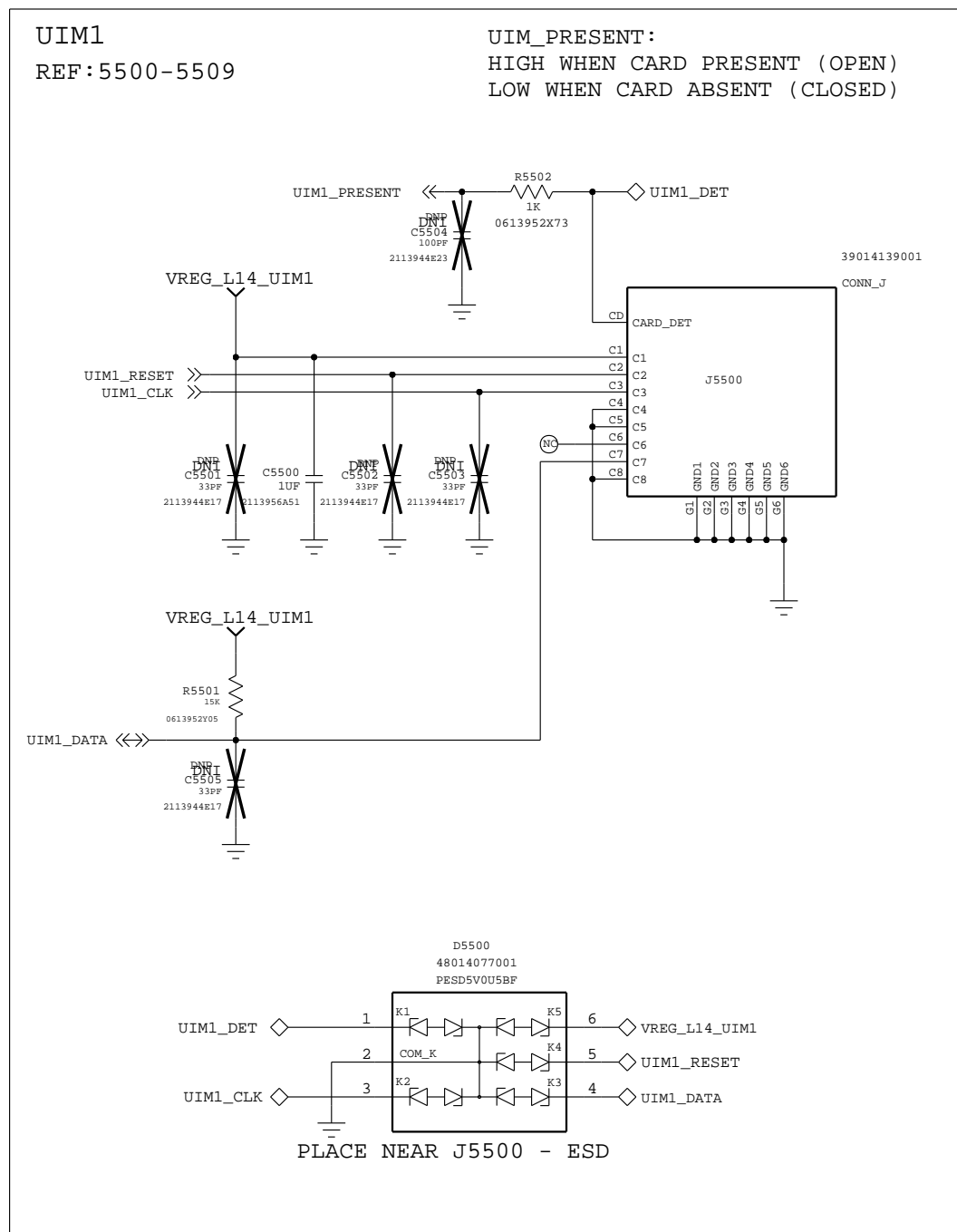
| | | | | |
|---|----------------|---|-----------|--|
| LAST MODIFIED: Tue Apr 07 16:57:02 2015 | | | | |
| DRAWING NUMBER: 84016408002 | |  MOTOROLA | | |
| DRAWN BY: | DATE: | TITLE: | REV B | |
| LEAD ENGINEER: | DATE: | | SIZE B | |
| ASSY NUMBER: | PCB FILE NAME: | PAGE 2 OF 5 | | |

MOTOROLA CONFIDENTIAL RESTRICTED

UIM1 AND UIM2

REF: 5500-5599

| REVISIONS | | | | |
|-----------|-----|-------------|---------|----------|
| REV | ECN | DESCRIPTION | MADE BY | APPROVED |
| | | | | |



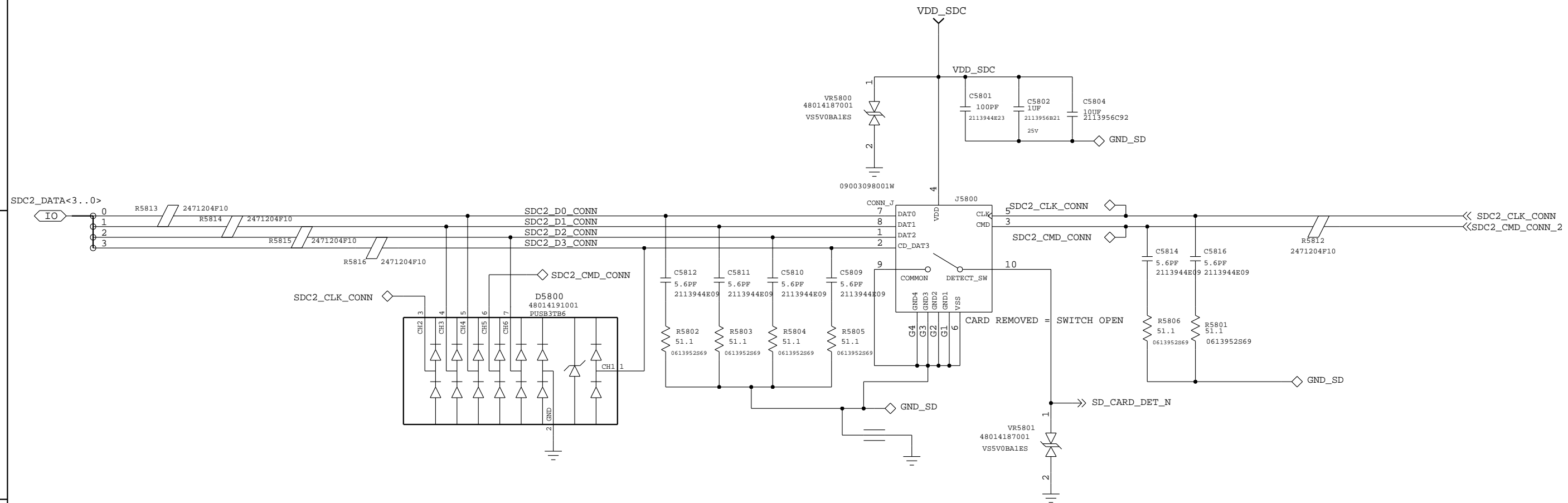
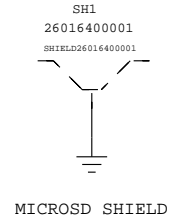
LAST MODIFIED: Tue Apr 07 16:57:02 2015

| | | | |
|---------------------------------------|----------------|-------------|-----------|
| DRAWING NUMBER: 84016408002 | | | |
| DRAWN BY: | DATE: | TITLE: | REV B |
| LEAD ENGINEER: | DATE: | | SIZE B |
| ASSY NUMBER: | PCB FILE NAME: | PAGE 3 OF 5 | |

MICRO SD

REF: 5800-5899

| REVISIONS | | | | |
|-----------|-----|-------------|---------|----------|
| REV | ECN | DESCRIPTION | MADE BY | APPROVED |
| | | | | |



LAST MODIFIED: Tue Apr 07 16:57:01 2015

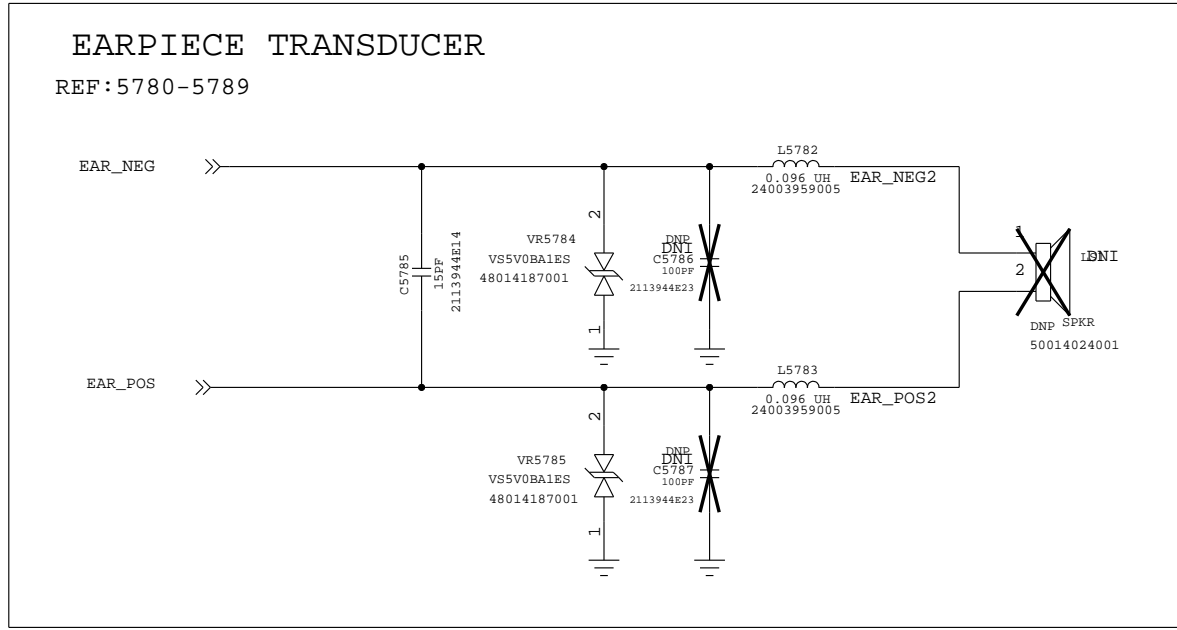
| | | | |
|---------------------------------------|----------------|-------------|-----------|
| DRAWING NUMBER: 84016408002 | | | |
| DRAWN BY: | DATE: | TITLE: | REV B |
| LEAD ENGINEER: | DATE: | | SIZE B |
| ASSY NUMBER: | PCB FILE NAME: | PAGE 4 OF 5 | |

MOTOROLA CONFIDENTIAL RESTRICTED

AUDIO

REF:

| REVISIONS | | | | |
|-----------|-----|-------------|---------|----------|
| REV | ECN | DESCRIPTION | MADE BY | APPROVED |
| | | | | |



LAST MODIFIED: Tue Apr 07 16:57:03 2015

| | | | |
|---------------------------------------|----------------|-------------|-----------|
| DRAWING NUMBER: 84016408002 | | | |
| DRAWN BY: | DATE: | TITLE: | REV B |
| LEAD ENGINEER: | DATE: | | SIZE B |
| ASSY NUMBER: | PCB FILE NAME: | PAGE 5 OF 5 | |