

D

C

B

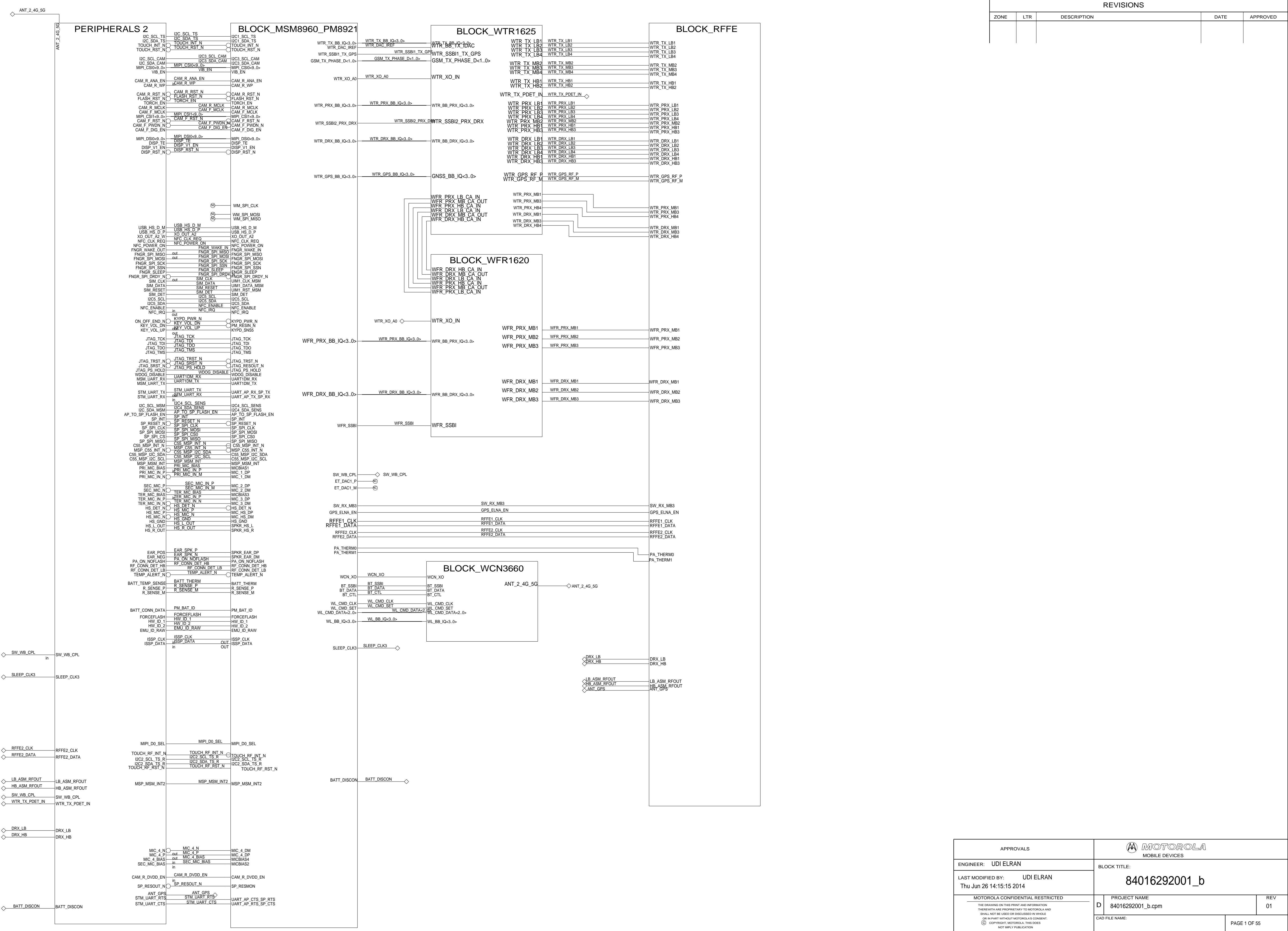
A

D

C

B

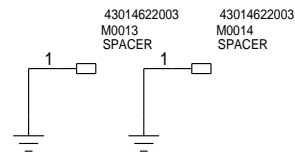
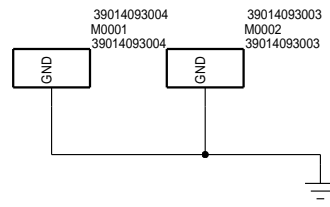
A




| REVISIONS | | | | |
|-----------|-----|-------------|------|----------|
| ZONE | LTR | DESCRIPTION | DATE | APPROVED |
| | | | | |

| | | | |
|---|--------------------------------------|-----------------------------------|--|
| APPROVALS | | MOTOROLA MOBILE DEVICES | |
| ENGINEER: UDI ELRAN | BLOCK TITLE: 84016292001_b | | |
| LAST MODIFIED BY: UDI ELRAN Thu Jun 26 14:15:15 2014 | PROJECT NAME: 84016292001_b.cpm | | |
| MOTOROLA CONFIDENTIAL RESTRICTED | REV: 01 | PAGE 1 OF 55 | |

ABBAGOOCHIE ME/SHIELDS



| | | | |
|---|--|---|-----------|
| APPROVALS | |  MOTOROLA MOBILE DEVICES | |
| ENGINEER: | | BLOCK TITLE: | |
| LAST MODIFIED BY: Thu Jun 26 14:15:21 2014 | | 84016292001_b | |
| MOTOROLA CONFIDENTIAL RESTRICTED <small>THE DRAWING ON THIS PRINT AND INFORMATION THEREWITH ARE PROPRIETARY TO MOTOROLA AND SHALL NOT BE USED OR DISCUSSED IN WHOLE OR IN PART WITHOUT MOTOROLA'S CONSENT. © COPYRIGHT, MOTOROLA. THIS DOES NOT IMPLY PUBLICATION</small> | | PROJECT NAME B 84016292001_b.cpm | REV 01 |
| | | CAD FILE NAME: | |
| | | PAGE 2 OF 55 | |

D

D

C

C

B

B

A

A

8

7

6

5

4

3

2

1

8

7

6

5

4

3

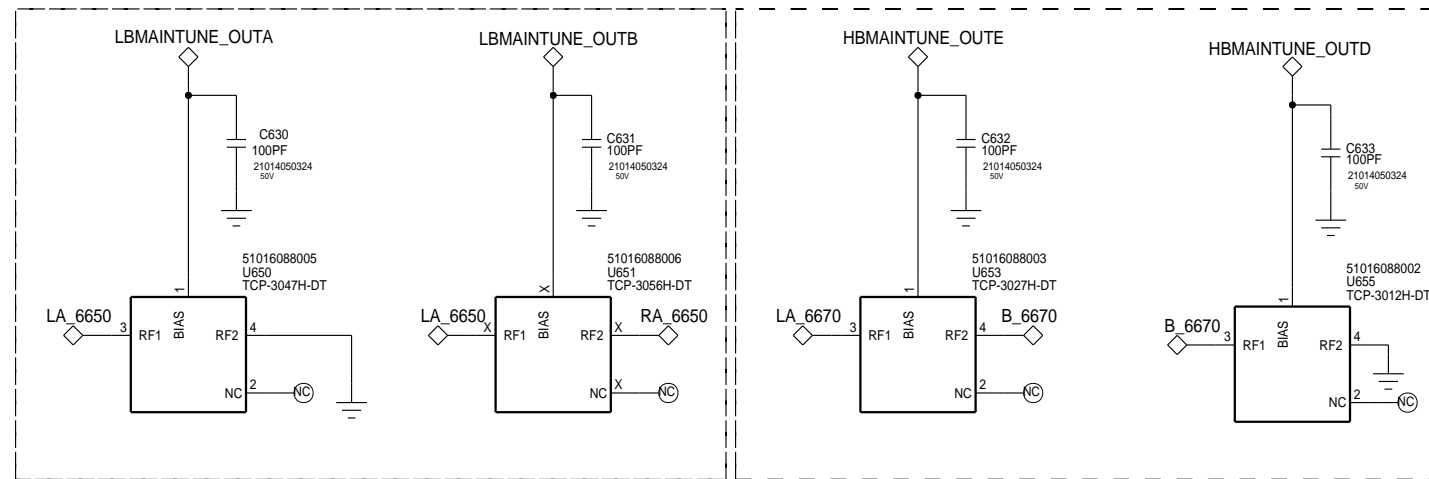
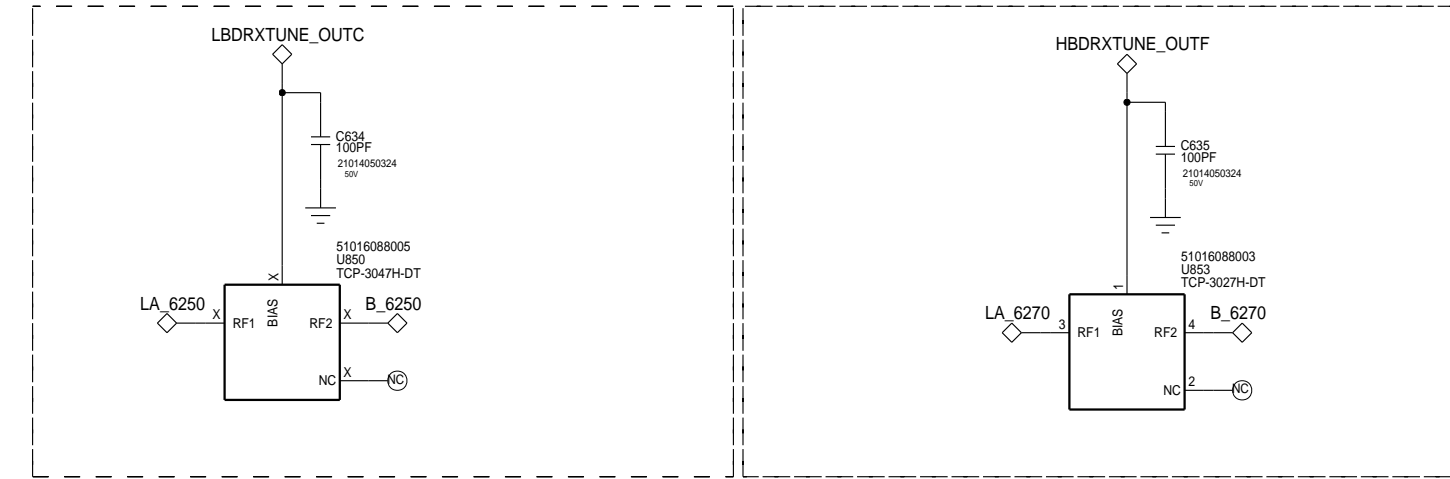
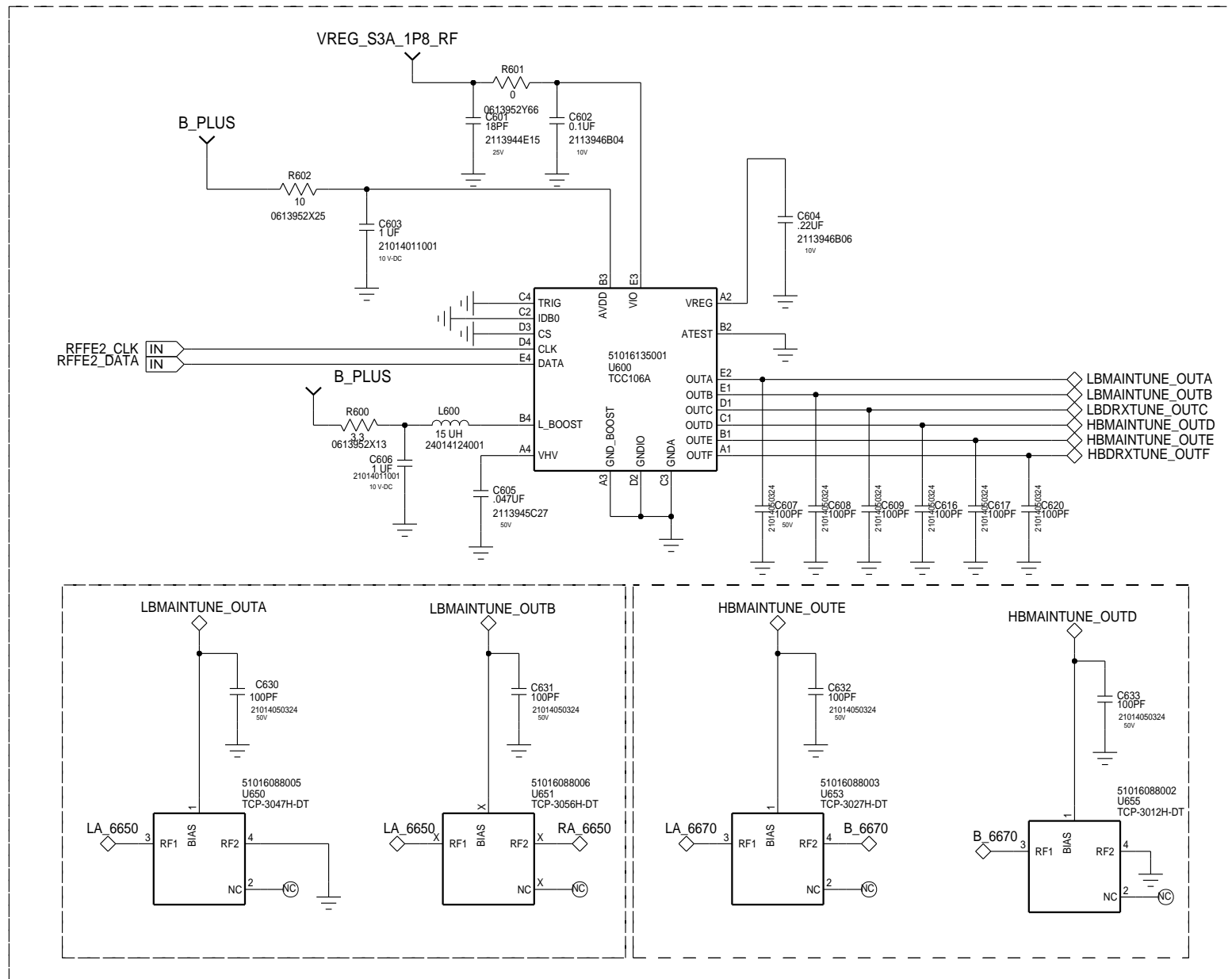
2

1

ANTENNA TUNERS

REF: 600 - 899

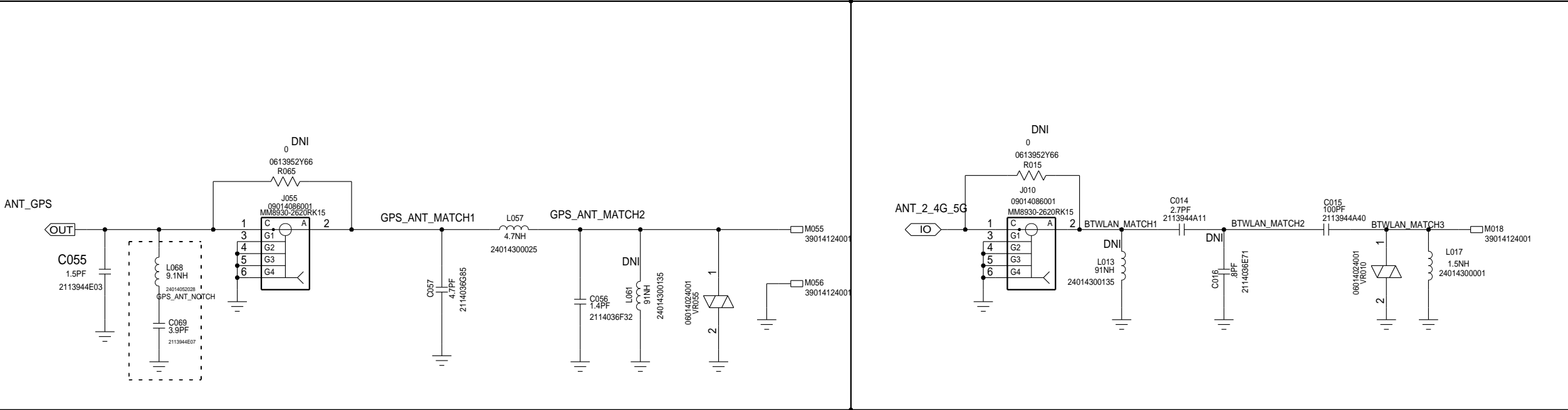
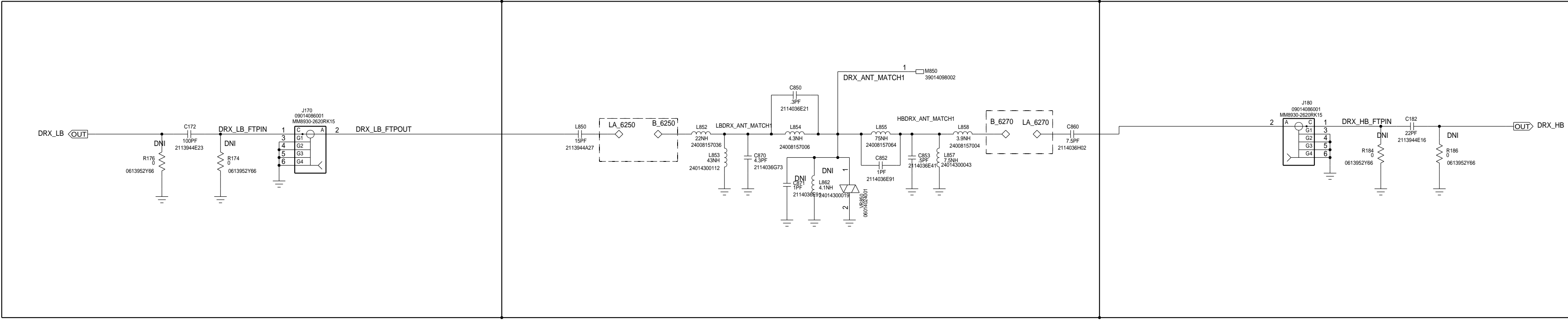
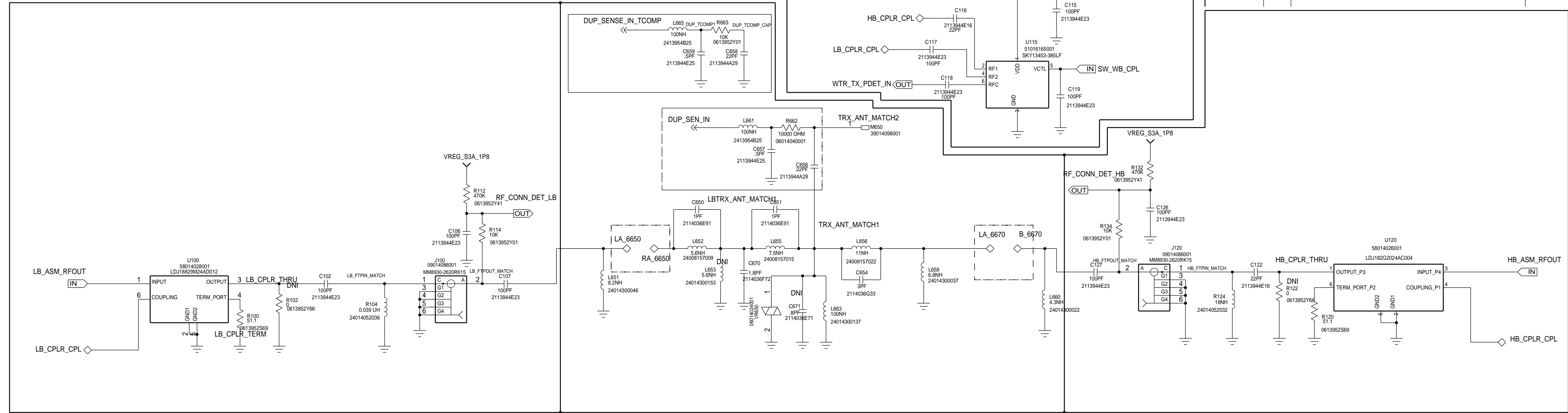
| REVISIONS | | | | |
|-----------|-----|-------------|------|-------|
| ZONE | LTR | DESCRIPTION | DATE | APPR. |
| | | | | |



| | | | |
|--|--|--------------------------------------|--------------|
| APPROVALS | | MOTOROLA MOBILE DEVICES | |
| ENGINEER: BUSTAMANTE | | BLOCK TITLE: 84016292001_b | |
| LAST MODIFIED BY: BUSTAMANTE Thu Jun 26 14:15:26 2014 | | PROJECT NAME: 84016292001_b.cpm | |
| MOTOROLA CONFIDENTIAL RESTRICTED <small>THE DRAWING ON THIS PRINT AND INFORMATION THEREWITH ARE PROPRIETARY TO MOTOROLA AND SHALL NOT BE USED OR DISCUSSED IN WHOLE OR IN PART WITHOUT MOTOROLA'S CONSENT. © COPYRIGHT, MOTOROLA. THIS DOES NOT IMPLY PUBLICATION</small> | | REV 01 | PAGE 3 of 55 |

REVISIONS

| ZONE | LTR | DESCRIPTION | DATE | APPR. |
|------|-----|-------------|------|-------|
| | | | | |



| | | | |
|--|--|---|----------------------|
| <p>APPROVALS</p> <p>ENGINEER: BUSTAMANTE</p> <p>LAST MODIFIED BY: BUSTAMANTE</p> <p>Thu Jun 26 14:15:35 2014</p> | | <p>MOTOROLA</p> <p>MOBILE DEVICES</p> <p>BLOCK TITLE:</p> <p>84016292001_b</p> | |
| <p>MOTOROLA CONFIDENTIAL RESTRICTED</p> <p>THE DRAWING ON THIS PRINT AND INFORMATION THEREWITH ARE PROPRIETARY TO MOTOROLA AND SHALL NOT BE USED OR DISCUSSED IN WHOLE OR IN PART WITHOUT MOTOROLA'S CONSENT. © COPYRIGHT, MOTOROLA. THIS DOES NOT IMPLY PUBLICATION</p> | | <p>PROJECT NAME</p> <p>C 84016292001_b.cpm</p> <p>CAD FILE NAME:</p> | <p>REV</p> <p>01</p> |

8 7 6 5 4 3 2 1

LIGHTING

D

D

C


C

B

B

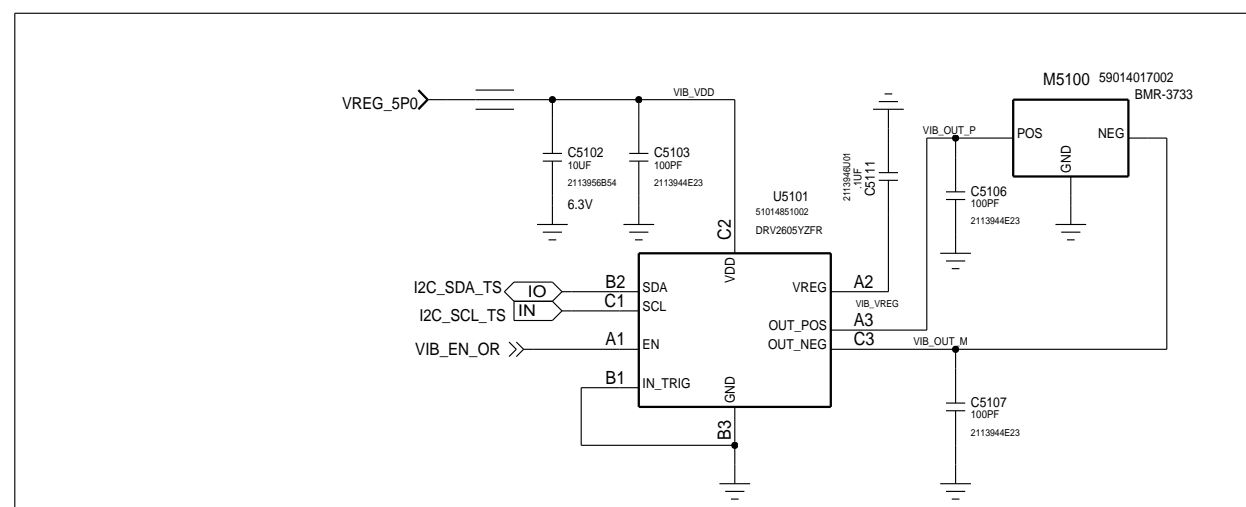
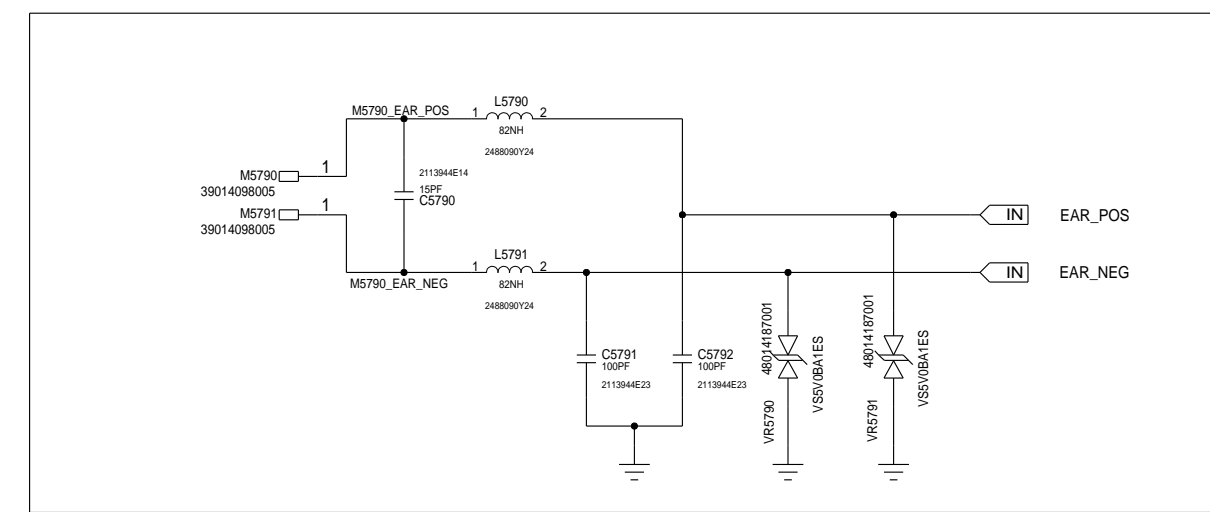
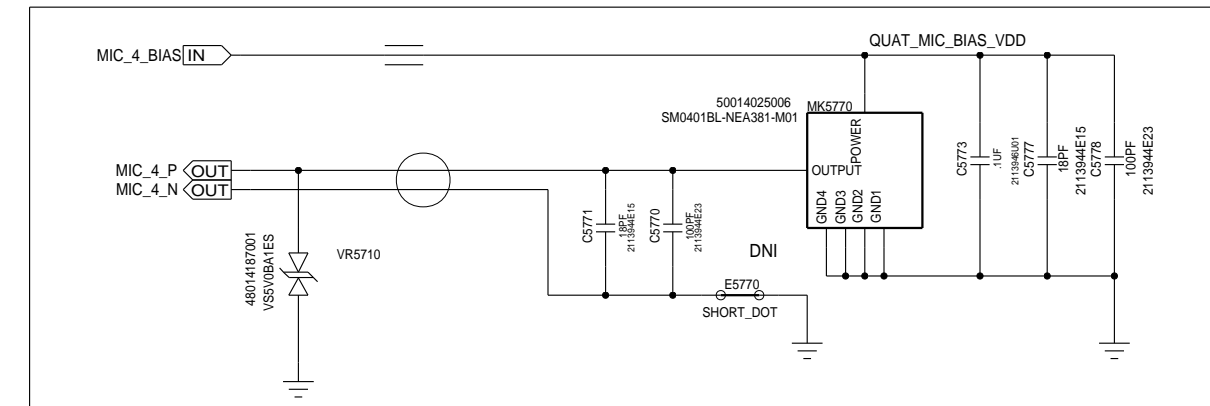
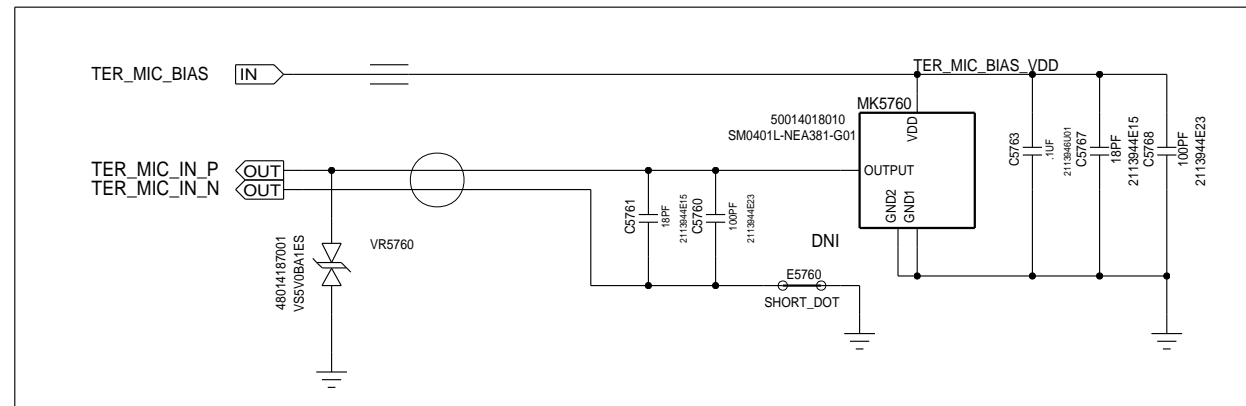
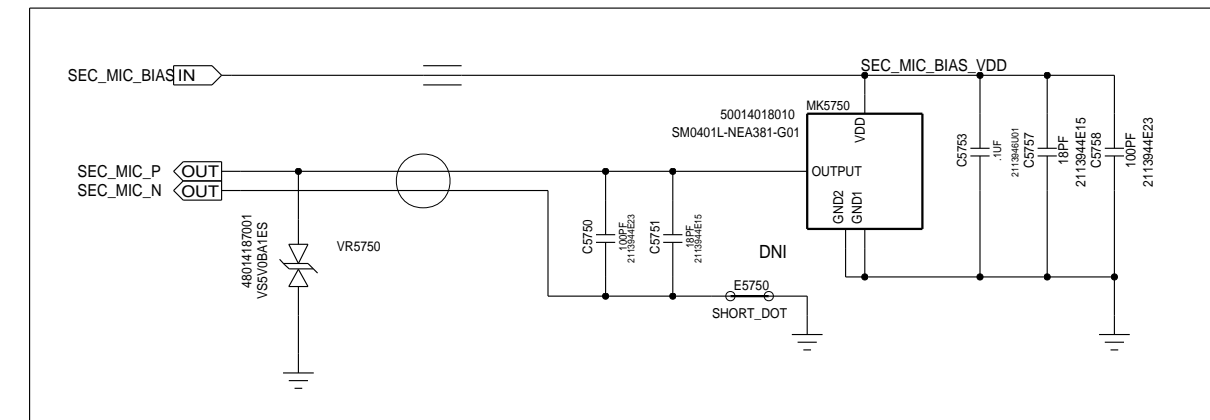
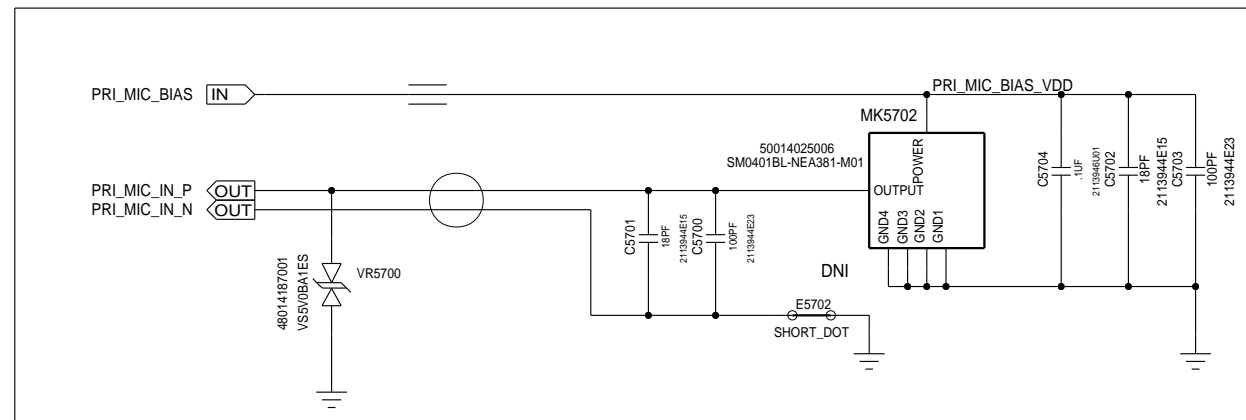
A

A

| | | | |
|--|--|---|------------------|
| APPROVALS | |  MOTOROLA MOBILE DEVICES | |
| ENGINEER: | | BLOCK TITLE: | |
| LAST MODIFIED BY: TIM MILLER Fri Nov 08 14:18:18 2013 | | 84016292001_b | |
| MOTOROLA CONFIDENTIAL RESTRICTED <small>THE DRAWING ON THIS PRINT AND INFORMATION THEREWITH ARE PROPRIETARY TO MOTOROLA AND SHALL NOT BE USED OR DISCUSSED IN WHOLE OR IN PART WITHOUT MOTOROLA'S CONSENT. © COPYRIGHT, MOTOROLA. THIS DOES NOT IMPLY PUBLICATION</small> | | PROJECT NAME B 84016292001_b.cpm | REV 01 |
| | | CAD FILE NAME: | |
| | | PAGE 5 OF 55 | |

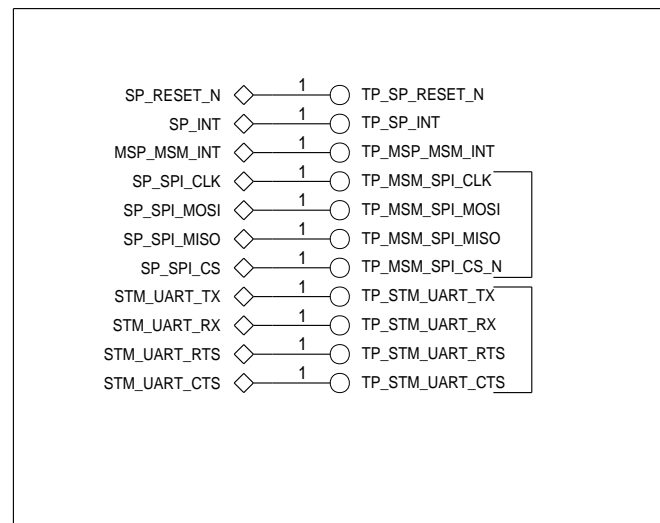
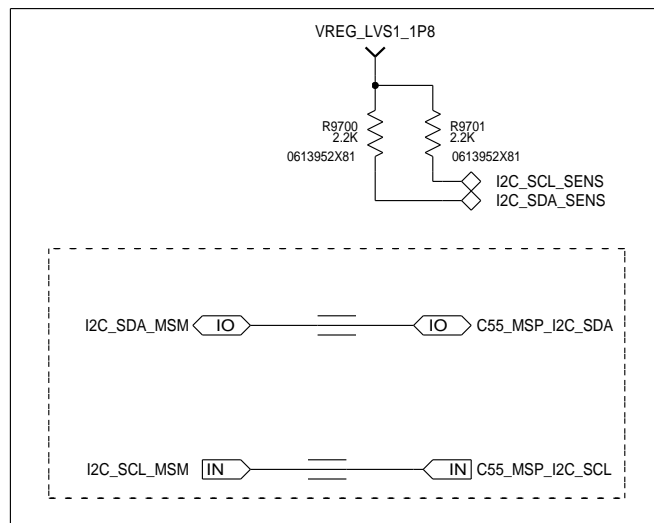
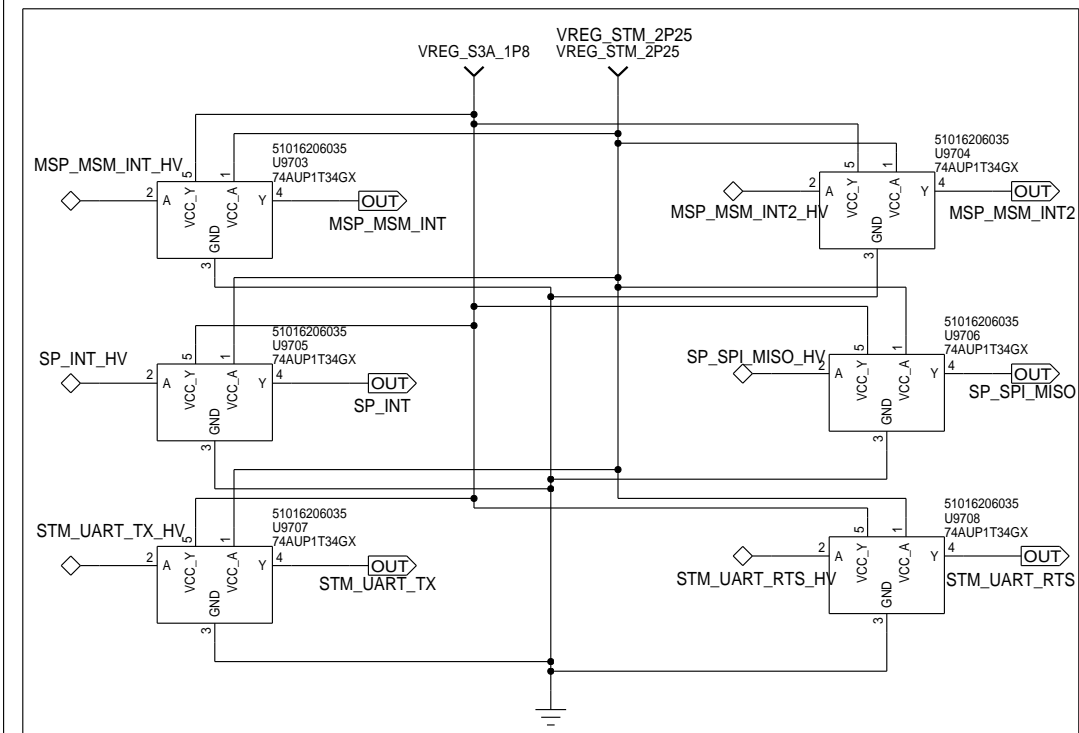
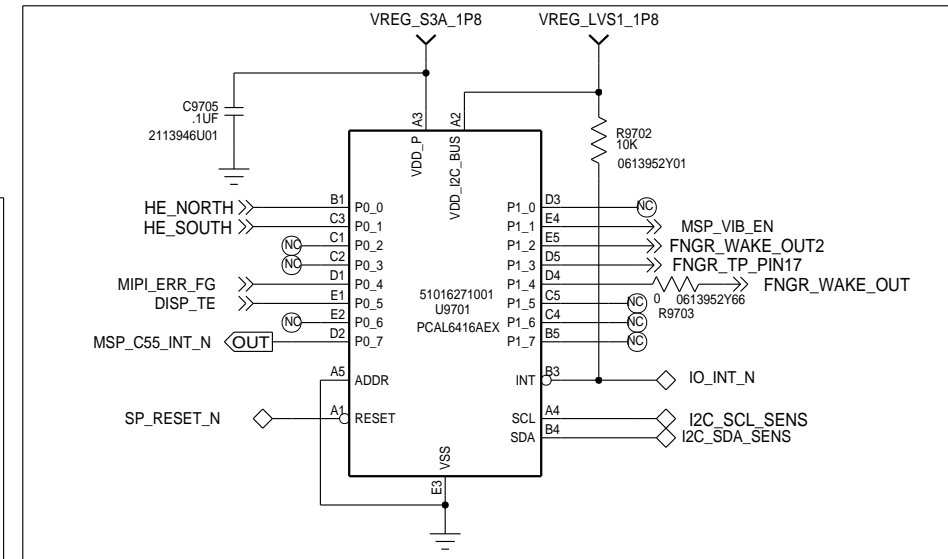
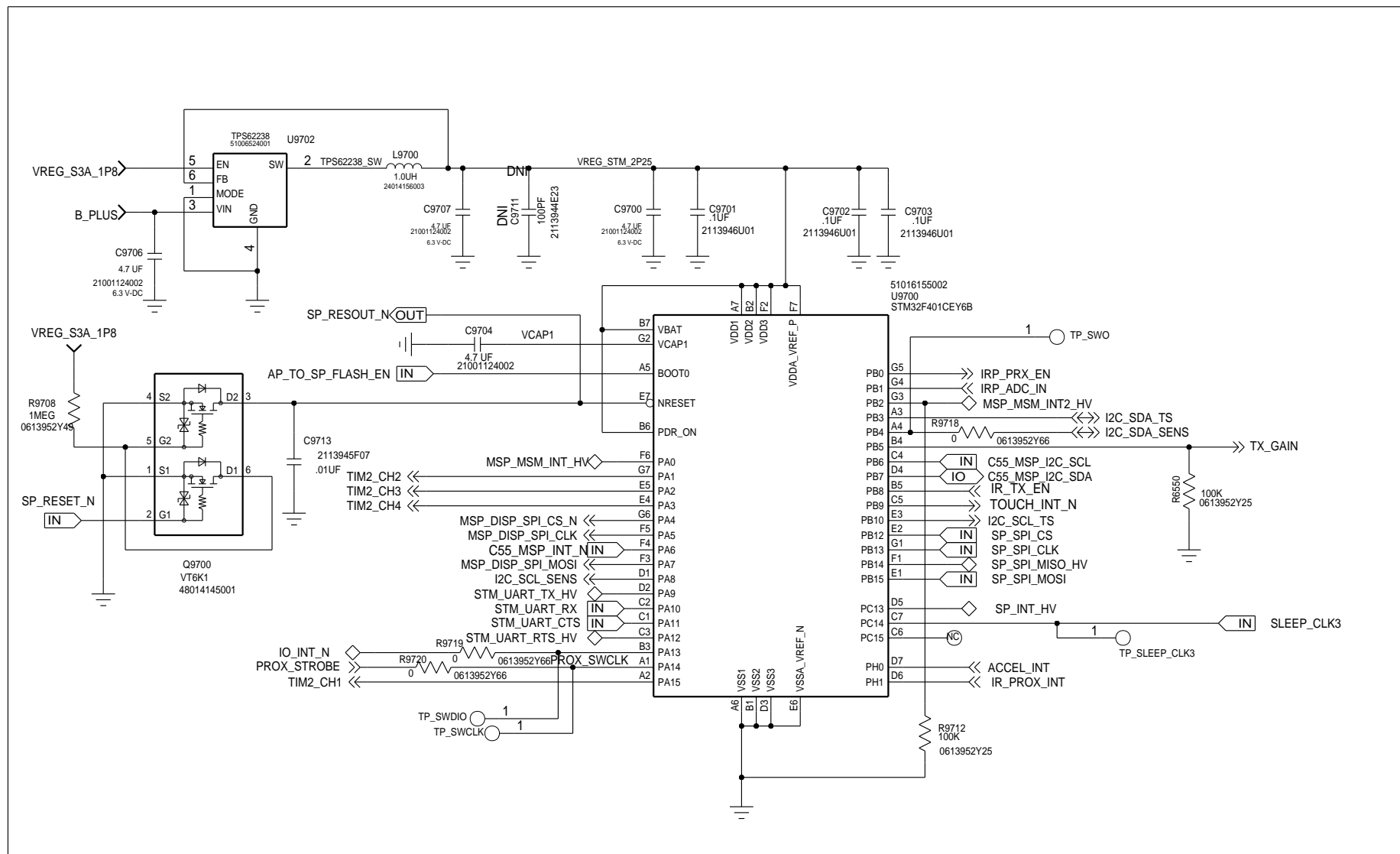
8 7 6 5 4 3 2 1

| REVISIONS | | | | |
|-----------|-----|-------------|------|-------|
| ZONE | LTR | DESCRIPTION | DATE | APPR. |
| | | | | |



| | | | |
|--|--|--------------------------------------|-----------|
| APPROVALS | | MOTOROLA MOBILE DEVICES | |
| ENGINEER: MATT HULL | | BLOCK TITLE: 84016292001_b | |
| LAST MODIFIED BY: OREN RAPPOPORT Thu Jun 26 14:15:47 2014 | | PROJECT NAME: 84016292001_b.cpm | |
| MOTOROLA CONFIDENTIAL RESTRICTED <small>THE DRAWING ON THIS PRINT AND INFORMATION THEREWITH ARE PROPRIETARY TO MOTOROLA AND SHALL NOT BE USED OR DISCUSSED IN WHOLE OR IN PART WITHOUT MOTOROLA'S CONSENT. © COPYRIGHT, MOTOROLA, THIS DOES NOT IMPLY PUBLICATION</small> | | CAD FILE NAME: | REV 01 |
| | | PAGE 6 of 55 | |

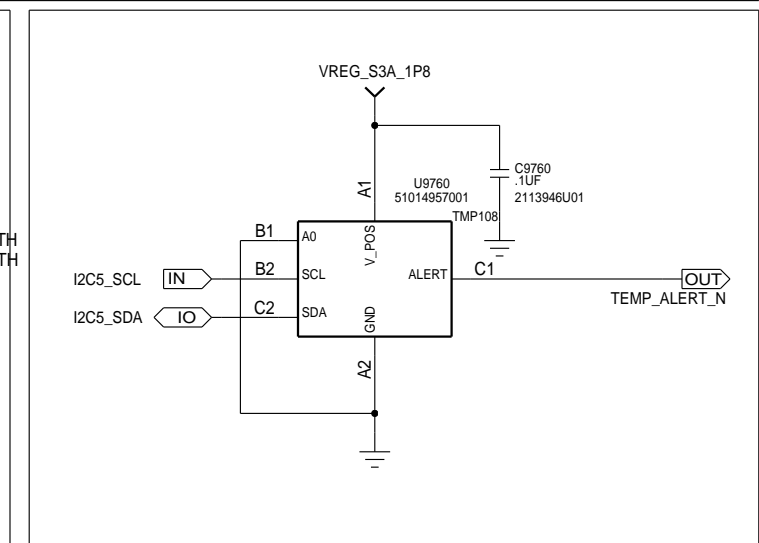
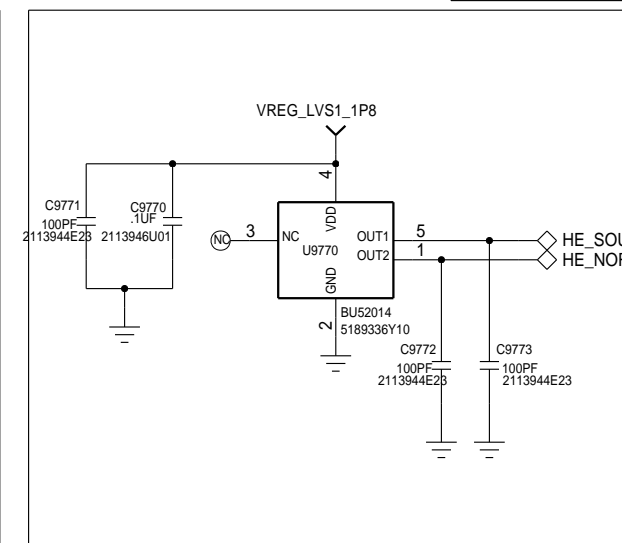
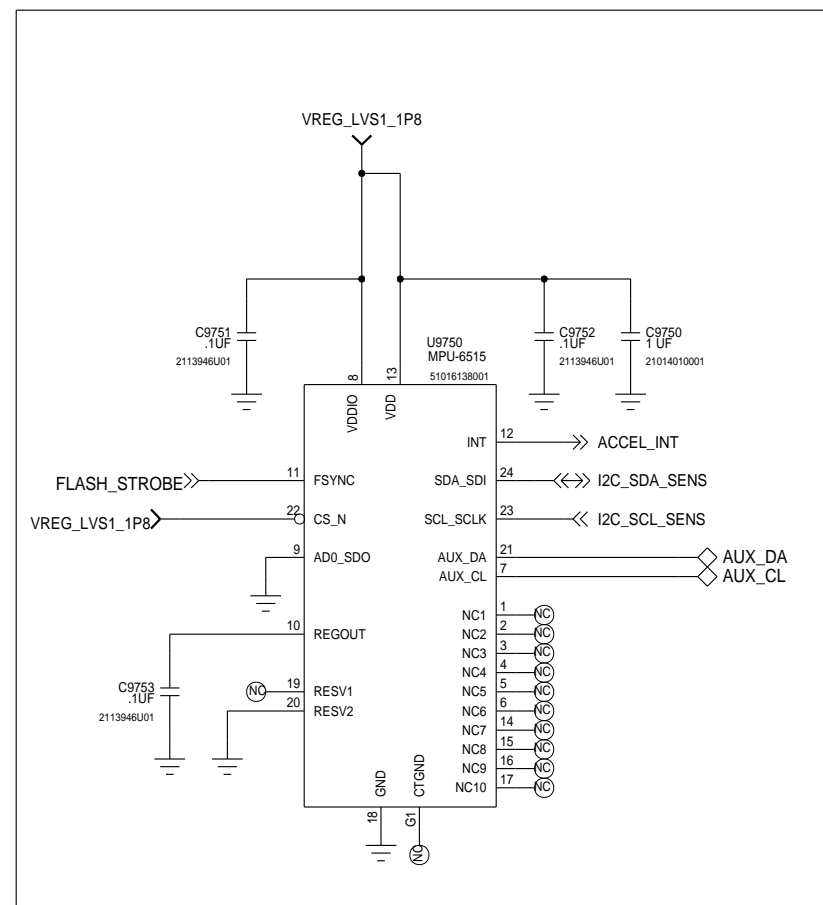
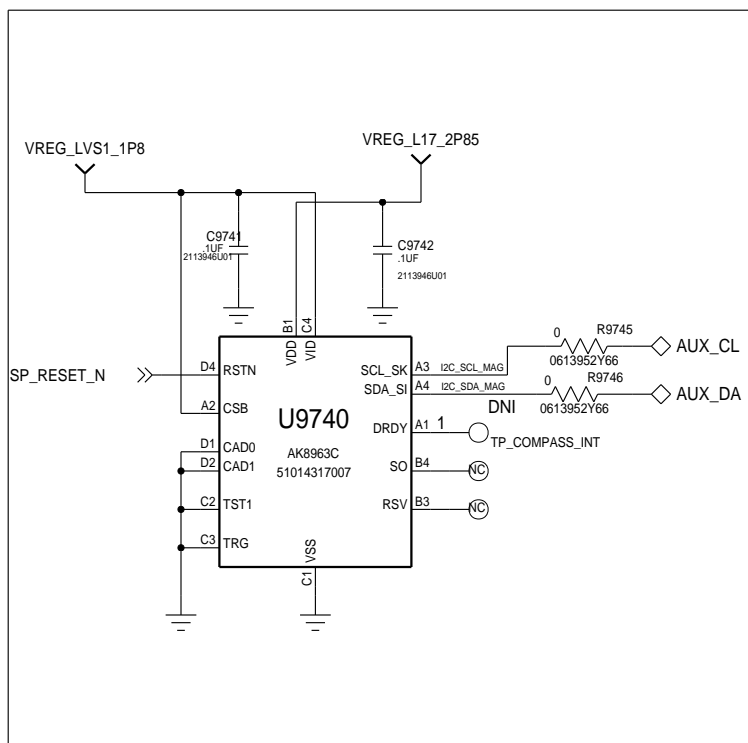
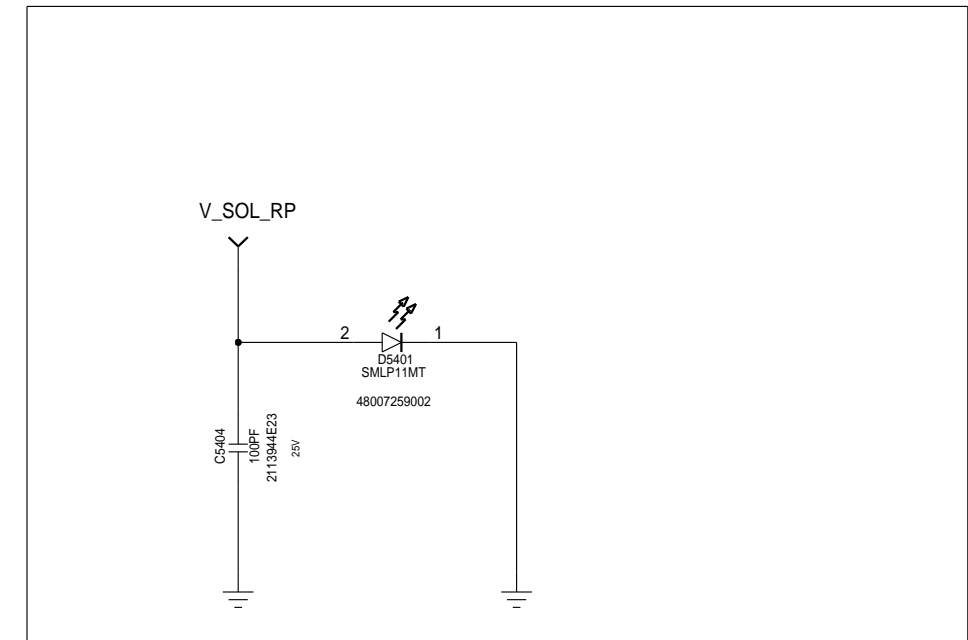
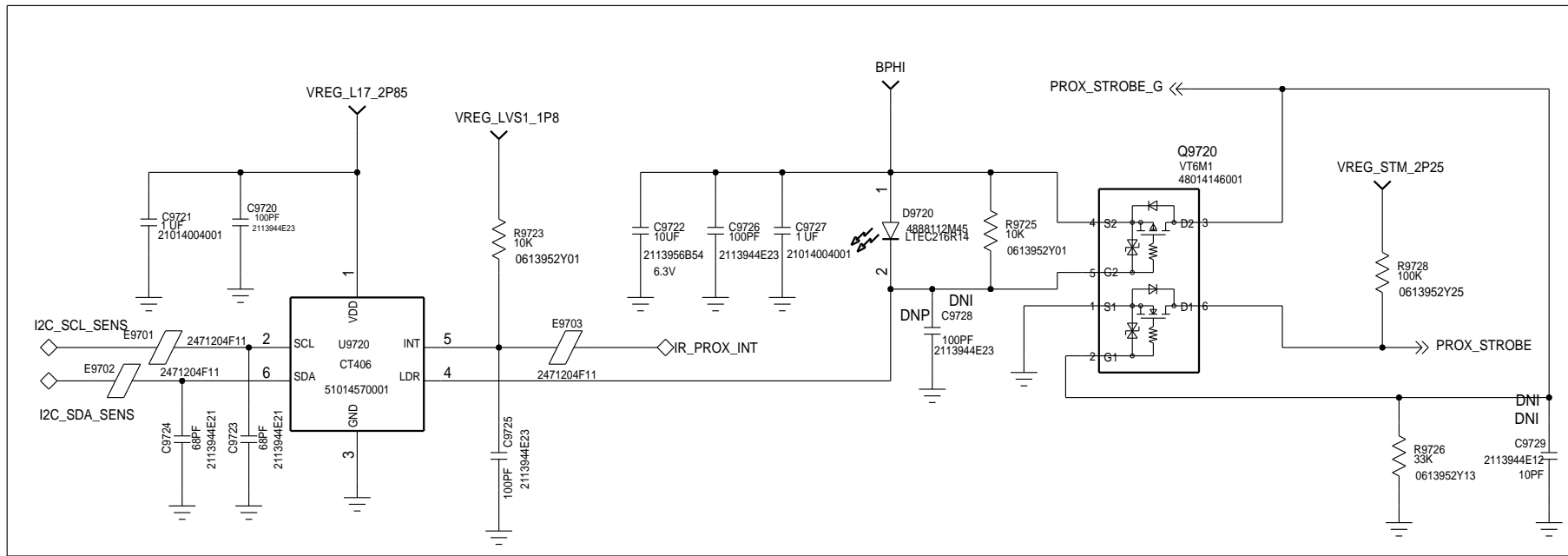
SENSOR HUB



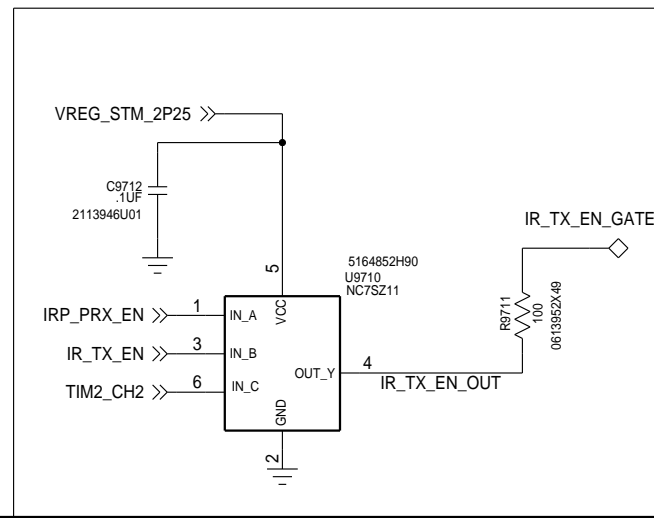
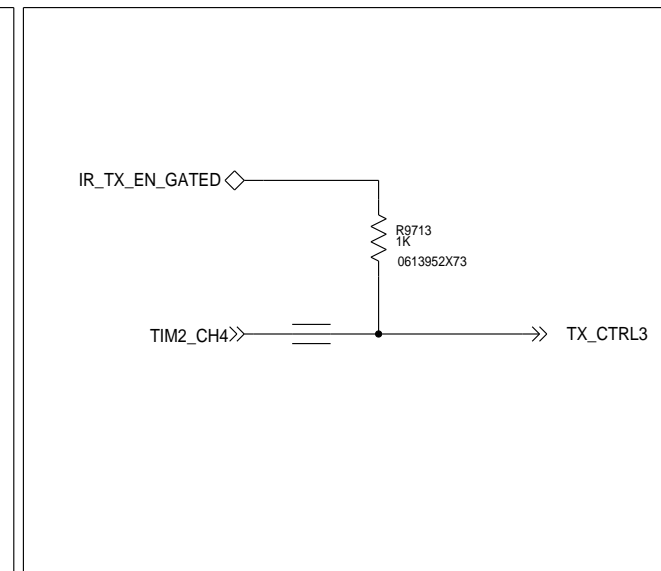
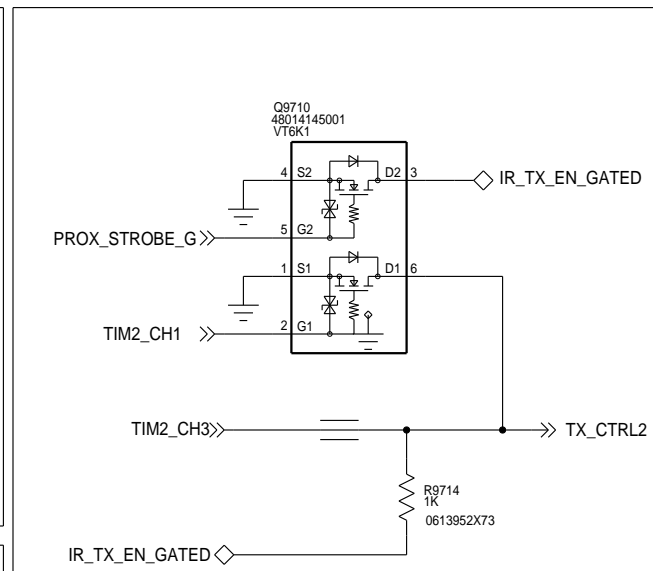
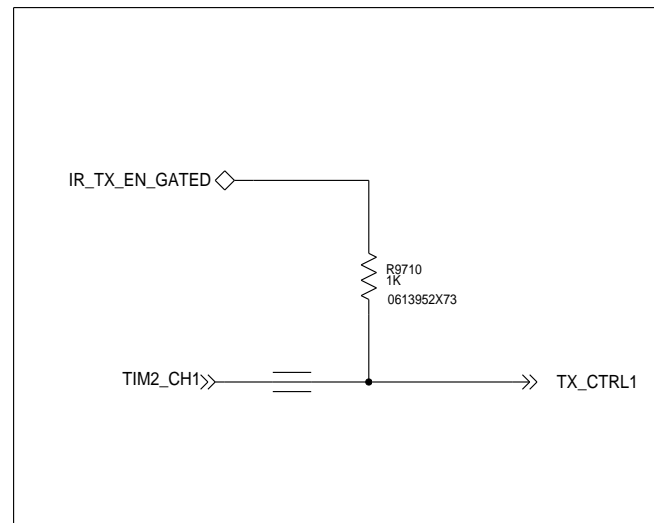
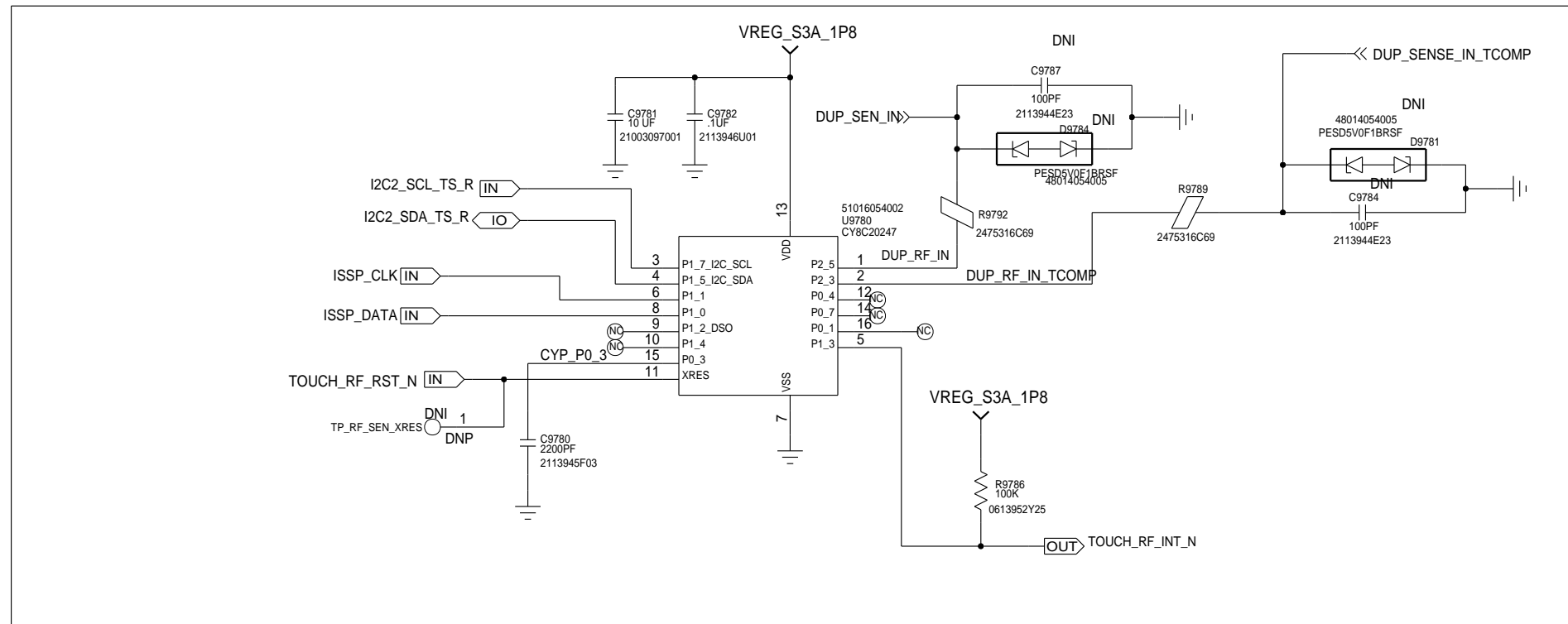
| | |
|--|--------------|
| APPROVALS | |
| ENGINEER: | NATE CONNELL |
| LAST MODIFIED BY: | NATE CONNELL |
| Thu Jun 26 14:15:52 2014 | |
| MOTOROLA CONFIDENTIAL RESTRICTED | |
| THE DRAWING ON THIS PRINT AND INFORMATION THEREWITH ARE PROPRIETARY TO MOTOROLA AND SHALL NOT BE USED OR DISCUSSED IN WHOLE OR IN PART WITHOUT MOTOROLA'S CONSENT. | |
| © COPYRIGHT, MOTOROLA. THIS DOES NOT IMPLY PUBLICATION | |

| | |
|--------------------------------------|-----|
| MOTOROLA MOBILE DEVICES | |
| BLOCK TITLE: 84016292001_b | |
| PROJECT NAME | REV |
| B 84016292001_b.cpm | 01 |
| CAD FILE NAME: | |
| PAGE 7 OF 55 | |

SENSORS



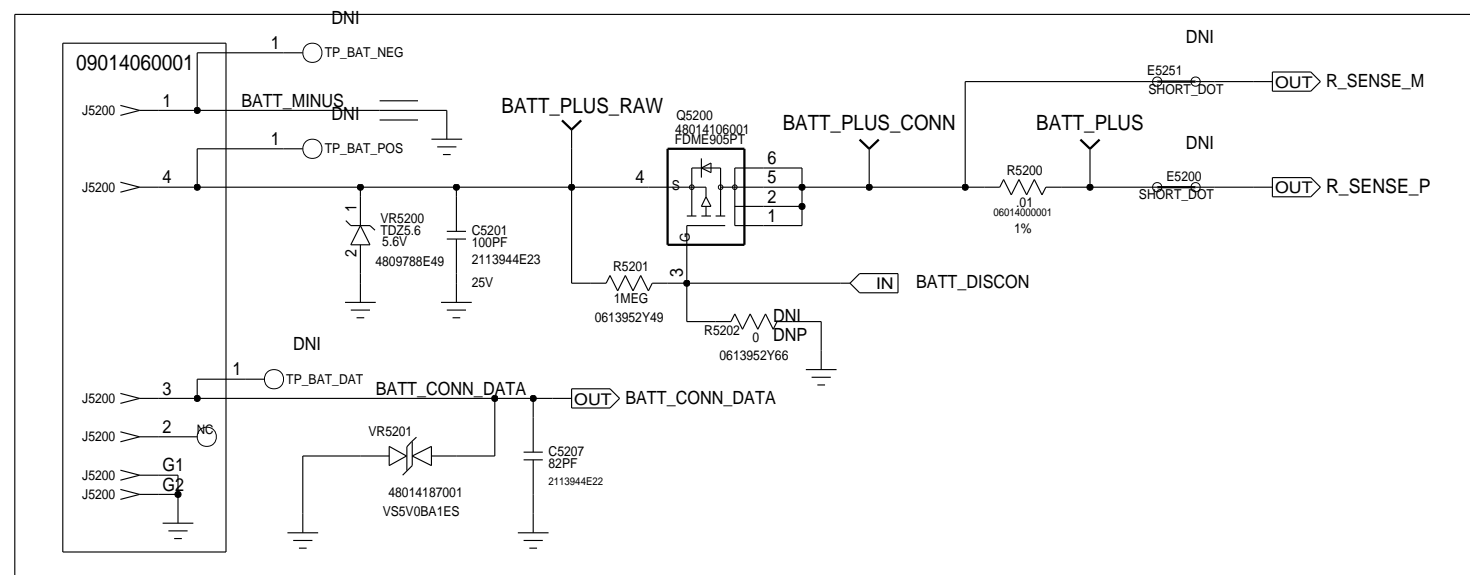
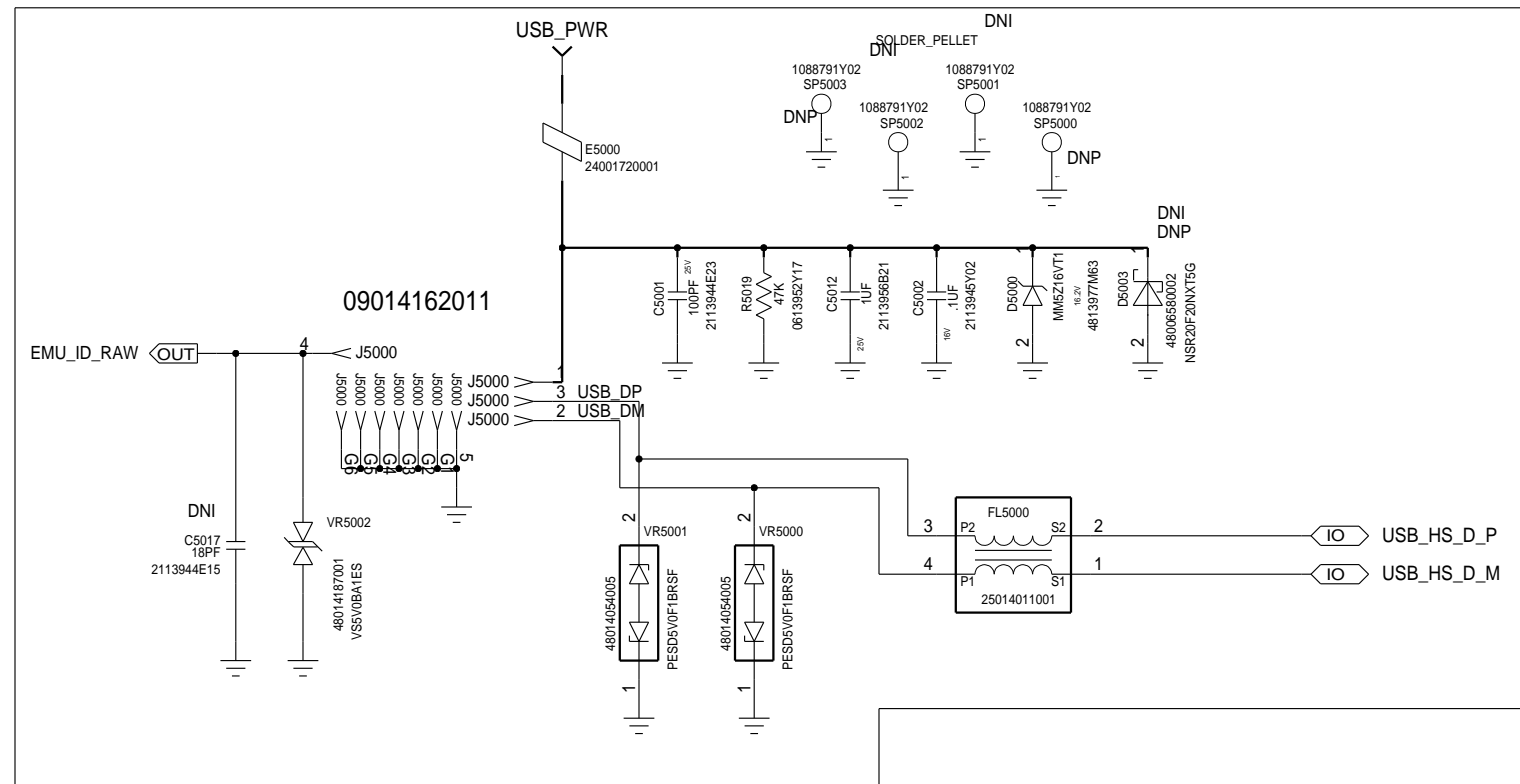
| | | | |
|--|--|--------------------------------------|--|
| APPROVALS | | MOTOROLA MOBILE DEVICES | |
| ENGINEER: C HERNANDEZ | | BLOCK TITLE: 84016292001_b | |
| LAST MODIFIED BY: C HERNANDEZ Thu Jun 26 14:15:59 2014 | | PROJECT NAME 84016292001_b.cpm | |
| MOTOROLA CONFIDENTIAL RESTRICTED THE DRAWING ON THIS PRINT AND INFORMATION THEREWITH ARE PROPRIETARY TO MOTOROLA AND SHALL NOT BE USED OR DISCUSSED IN WHOLE OR IN PART WITHOUT MOTOROLA'S CONSENT. © COPYRIGHT, MOTOROLA. THIS DOES NOT IMPLY PUBLICATION | | REV 01 | |
| | | PAGE 8 OF 55 | |



| | |
|--|--|
| APPROVALS | |
| ENGINEER: HERNANDEZ | |
| LAST MODIFIED BY: HERNANDEZ Thu Jun 26 14:16:05 2014 | |
| MOTOROLA CONFIDENTIAL RESTRICTED | |
| <small>THE DRAWING ON THIS PRINT AND INFORMATION THEREWITH ARE PROPRIETARY TO MOTOROLA AND SHALL NOT BE USED OR DISCUSSED IN WHOLE OR IN PART WITHOUT MOTOROLA'S CONSENT. © COPYRIGHT, MOTOROLA. THIS DOES NOT IMPLY PUBLICATION</small> | |

| | |
|--------------------------------------|-----------|
| MOTOROLA MOBILE DEVICES | |
| BLOCK TITLE: 84016292001_b | |
| PROJECT NAME B 84016292001_b.cpm | REV 01 |
| CAD FILE NAME: | |
| PAGE 9 OF 55 | |

EMU+POWER



| | | | |
|---|--|---------------------------------------|-----------|
| APPROVALS | | MOTOROLA MOBILE DEVICES | |
| ENGINEER: RICH NG | | BLOCK TITLE: | |
| LAST MODIFIED BY: GARY QUARTANA Thu Jun 26 14:16:11 2014 | | 84016292001_b | |
| MOTOROLA CONFIDENTIAL RESTRICTED <small>THE DRAWING ON THIS PRINT AND INFORMATION THEREWITH ARE PROPRIETARY TO MOTOROLA AND SHALL NOT BE USED OR DISCUSSED IN WHOLE OR IN PART WITHOUT MOTOROLA'S CONSENT. © COPYRIGHT, MOTOROLA. THIS DOES NOT IMPLY PUBLICATION</small> | | PROJECT NAME B 84016292001_b.cpm | REV 01 |
| CAD FILE NAME: | | PAGE 10 OF 55 | |

8

7

6

5

4

3

2

1

D

D

C


C

B

B

A

A

| | | | |
|---|--|---|-----------|
| APPROVALS | |  MOTOROLA MOBILE DEVICES | |
| ENGINEER: | | BLOCK TITLE: | |
| LAST MODIFIED BY: FROEHLING Fri Feb 14 20:03:35 2014 | | 84016292001_b | |
| MOTOROLA CONFIDENTIAL RESTRICTED <small>THE DRAWING ON THIS PRINT AND INFORMATION THEREWITH ARE PROPRIETARY TO MOTOROLA AND SHALL NOT BE USED OR DISCUSSED IN WHOLE OR IN PART WITHOUT MOTOROLA'S CONSENT. © COPYRIGHT, MOTOROLA. THIS DOES NOT IMPLY PUBLICATION</small> | | PROJECT NAME B 84016292001_b.cpm | REV 01 |
| | | CAD FILE NAME: | |
| | | PAGE 11 OF 55 | |

8

7

6

5

4

3

2

1

GESTURE DETECT IR REF 6500-6549

D

C

B

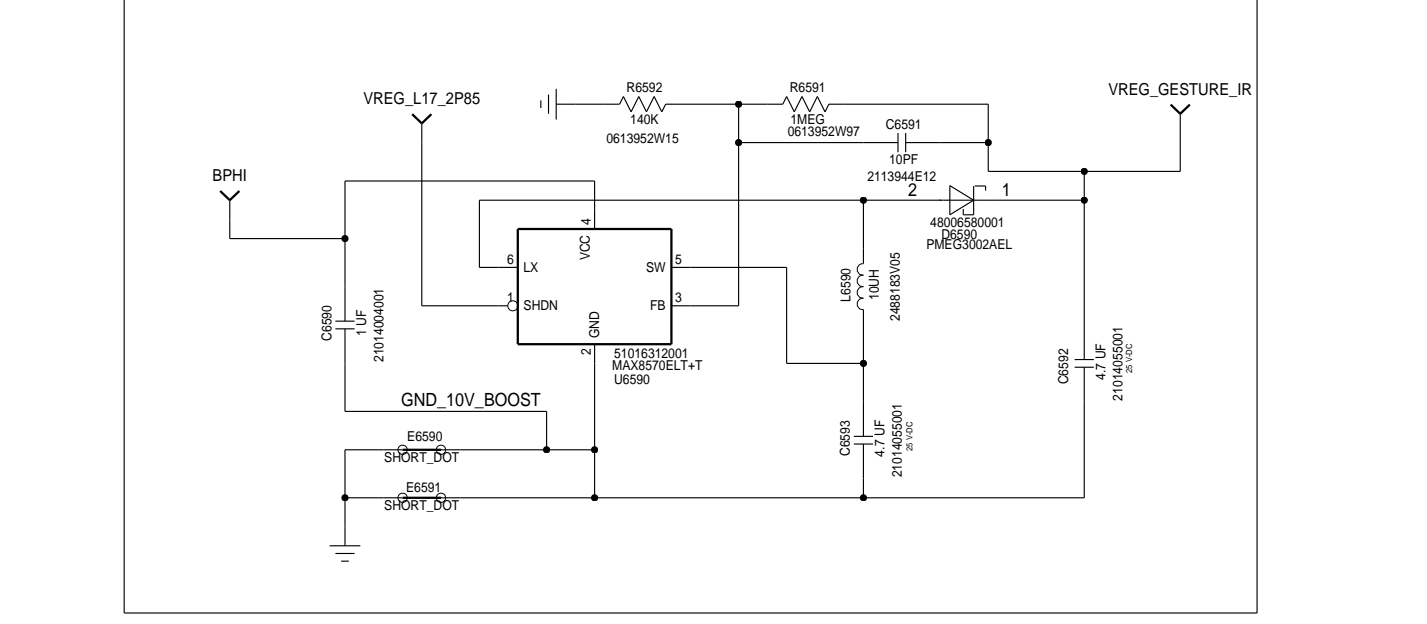
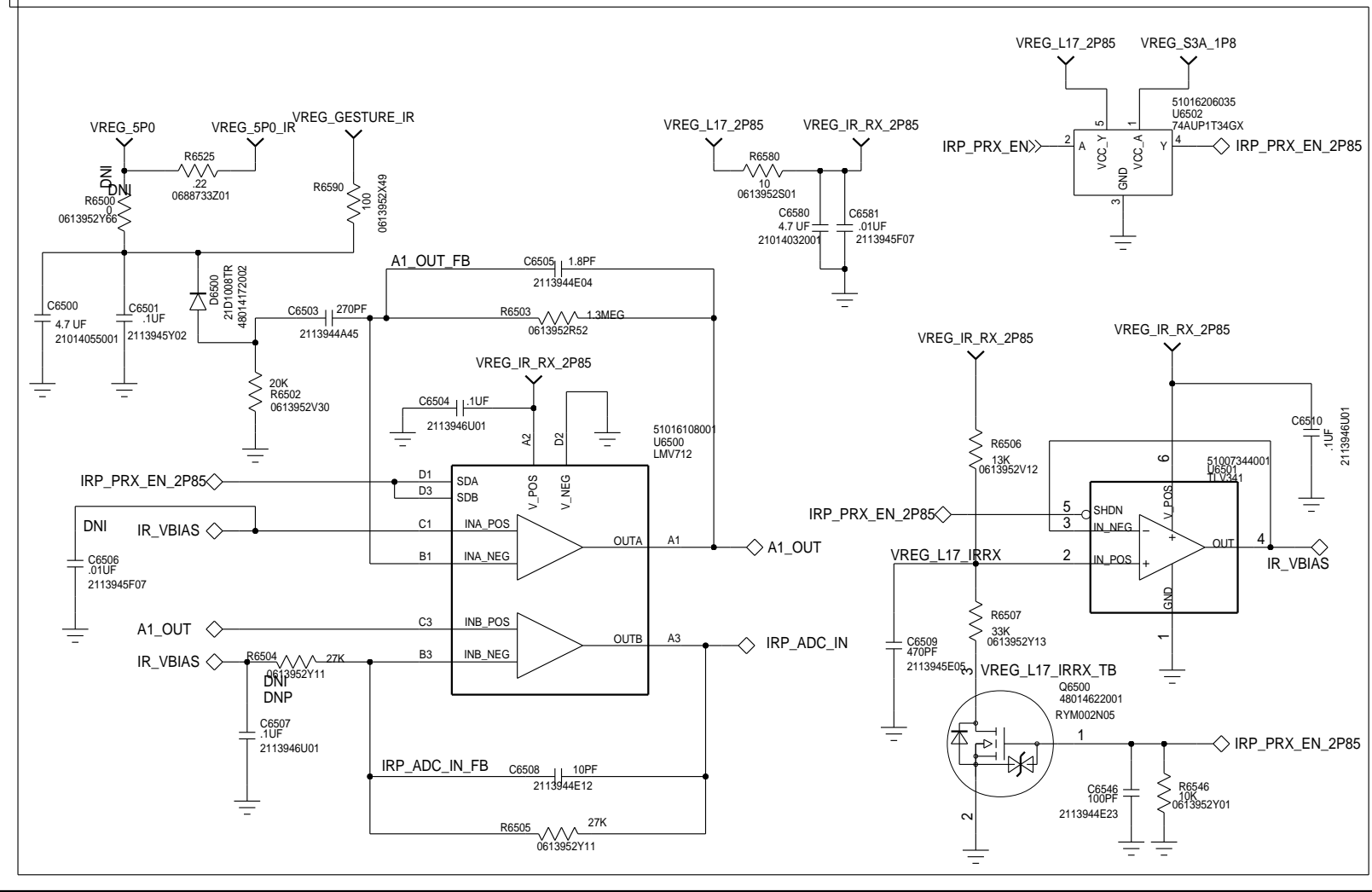
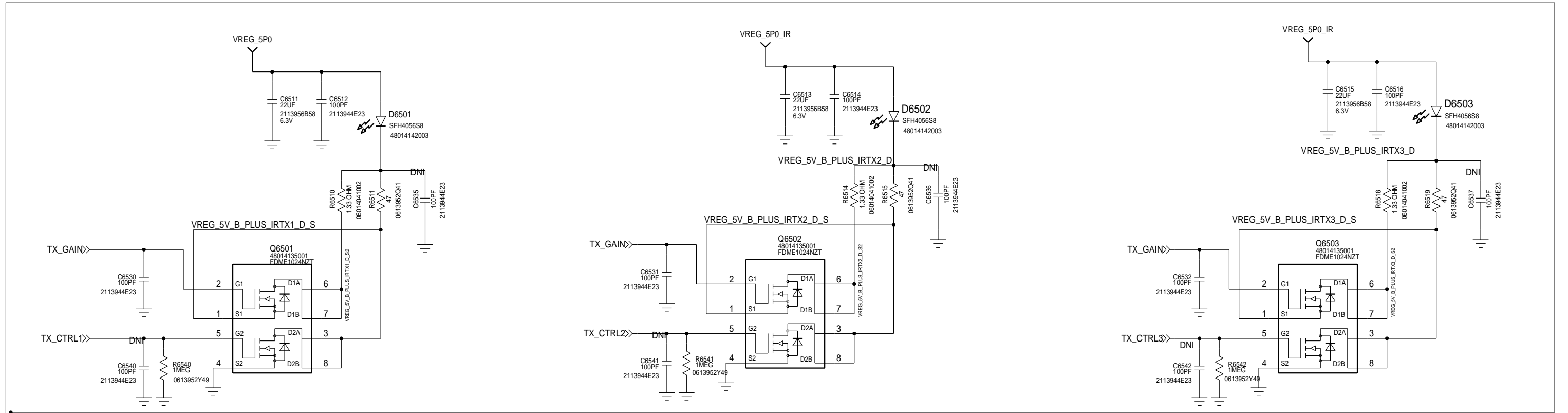
A

D

C

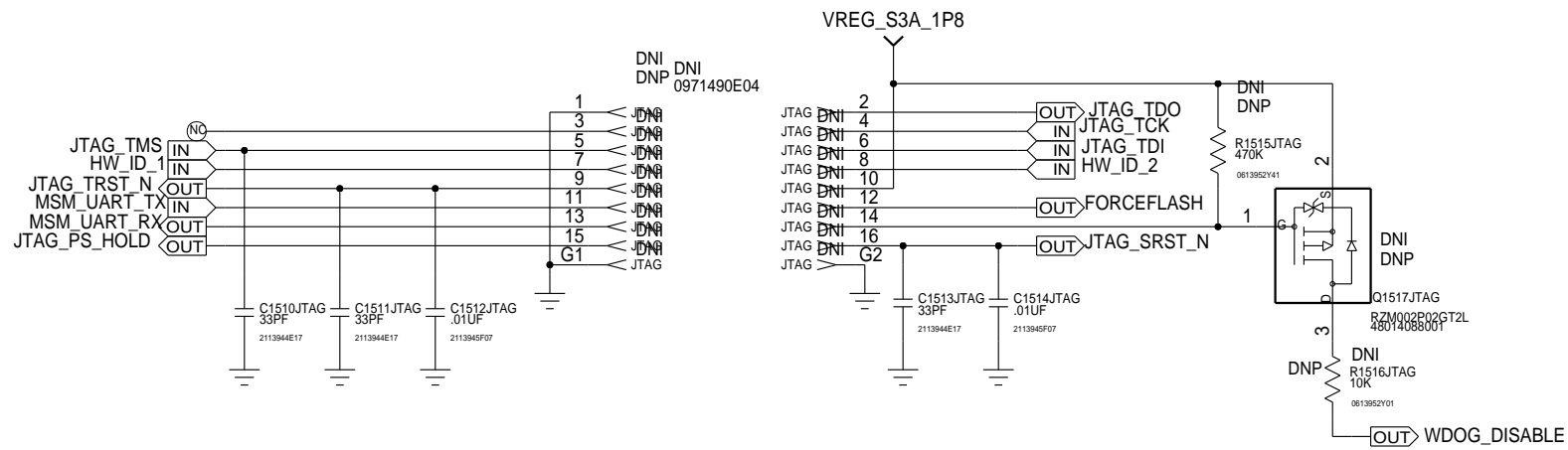
B

A



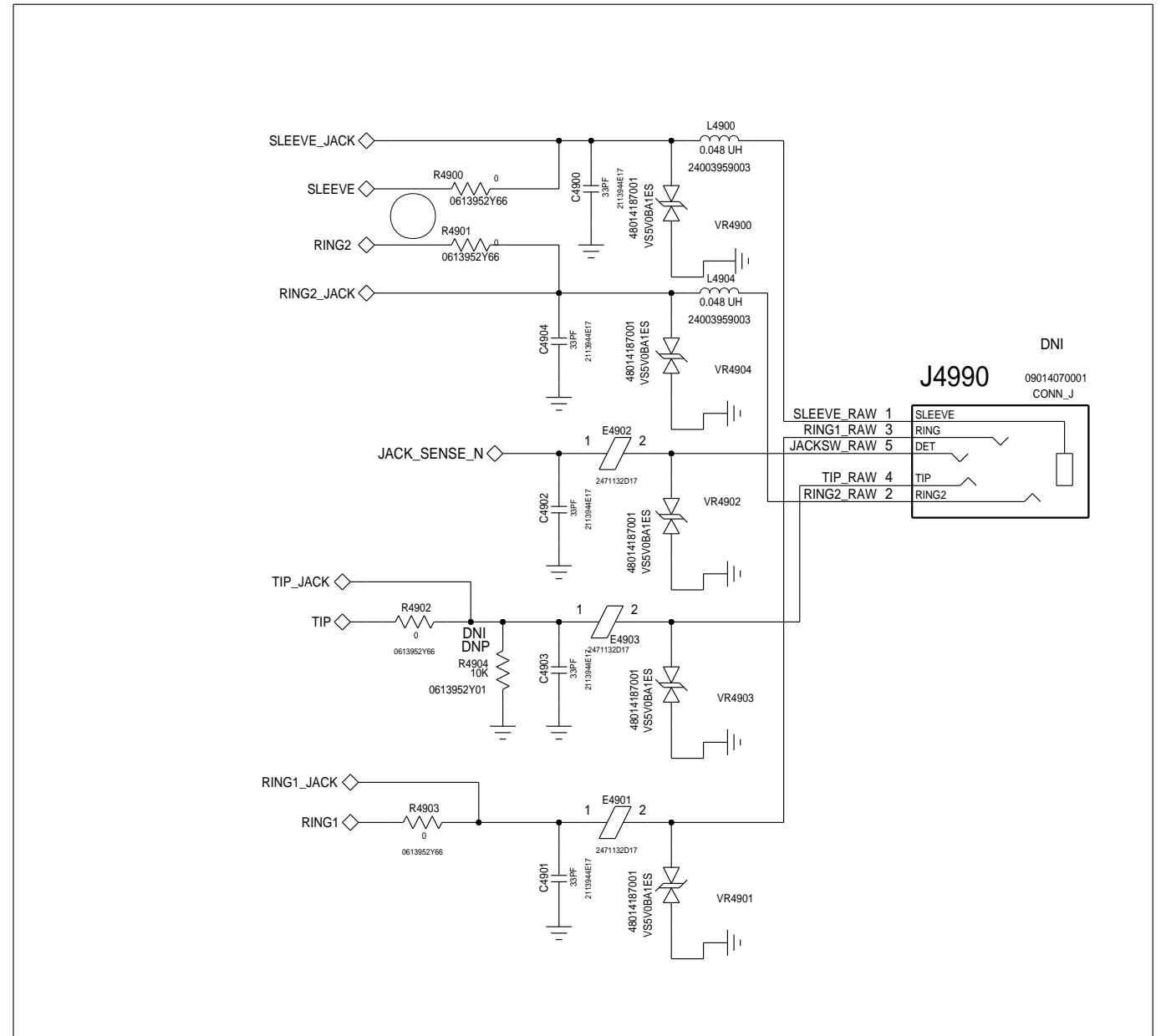
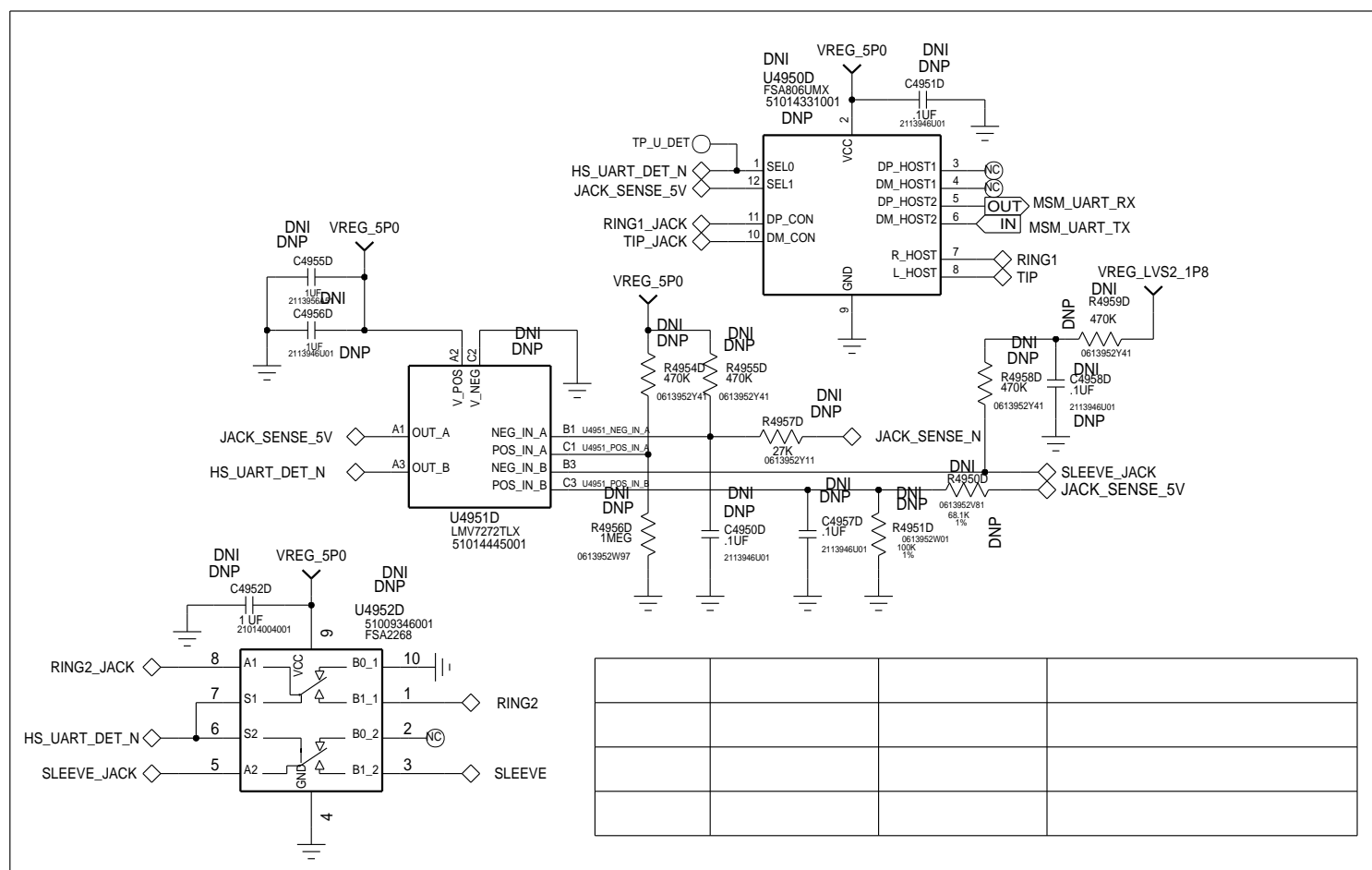
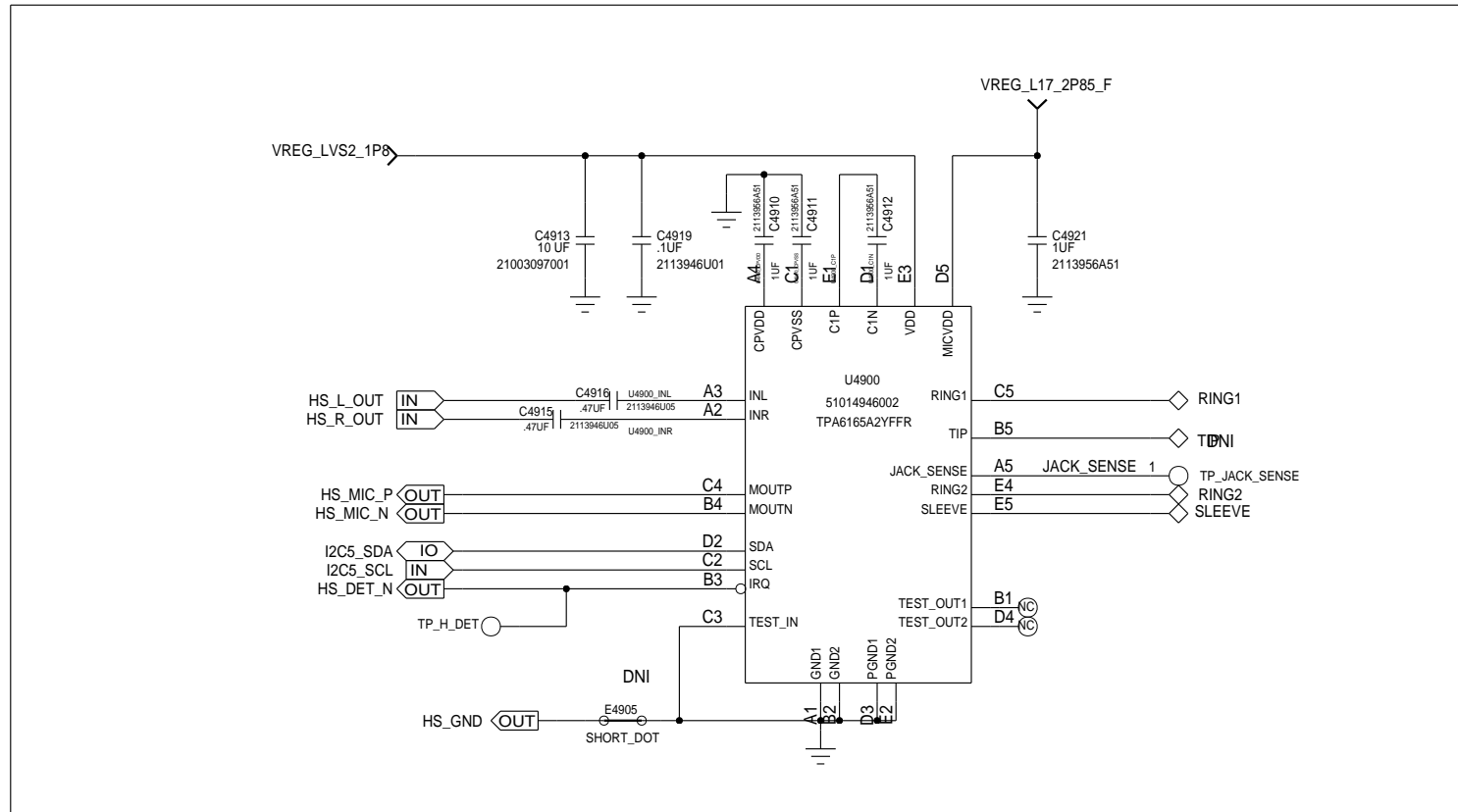
| | | | |
|--|--|--------------------------------------|--|
| APPROVALS | | MOTOROLA MOBILE DEVICES | |
| ENGINEER: MATT MOTTIER | | BLOCK TITLE: 84016292001_b | |
| LAST MODIFIED BY: JESSE HONG Thu Jun 26 14:16:22 2014 | | PROJECT NAME: 84016292001_b.cpm | |
| MOTOROLA CONFIDENTIAL RESTRICTED | | REV 01 | |
| THE DRAWING ON THIS PRINT AND INFORMATION THEREWITH ARE PROPRIETARY TO MOTOROLA AND SHALL NOT BE USED OR DISCUSSED IN WHOLE OR IN PART WITHOUT MOTOROLA'S CONSENT. © COPYRIGHT, MOTOROLA. THIS DOES NOT IMPLY PUBLICATION | | CAD FILE NAME: PAGE 12 OF 55 | |

JTAG



| | | | |
|---|--|--|------------------|
| APPROVALS | | MOTOROLA MOBILE DEVICES | |
| ENGINEER: | | BLOCK TITLE: | |
| LAST MODIFIED BY: Thu Jun 26 14:16:28 2014 | | 84016292001_b | |
| MOTOROLA CONFIDENTIAL RESTRICTED <small>THE DRAWING ON THIS PRINT AND INFORMATION THEREWITH ARE PROPRIETARY TO MOTOROLA AND SHALL NOT BE USED OR DISCUSSED IN WHOLE OR IN PART WITHOUT MOTOROLA'S CONSENT. © COPYRIGHT, MOTOROLA. THIS DOES NOT IMPLY PUBLICATION</small> | | PROJECT NAME B 84016292001_b.cpm | REV 01 |
| | | CAD FILE NAME: | |
| | | PAGE 13 OF 55 | |

3.5MM HEADSET



APPROVALS

ENGINEER: MATT MOTTIER

LAST MODIFIED BY: NATE CONNELL
Thu Jun 26 14:16:34 2014

MOTOROLA CONFIDENTIAL RESTRICTED

THE DRAWING ON THIS PRINT AND INFORMATION THEREWITH ARE PROPRIETARY TO MOTOROLA AND SHALL NOT BE USED OR DISCUSSED IN WHOLE OR IN PART WITHOUT MOTOROLA'S CONSENT.

© COPYRIGHT, MOTOROLA. THIS DOES NOT IMPLY PUBLICATION

MOTOROLA
MOBILE DEVICES

BLOCK TITLE:
84016292001_b

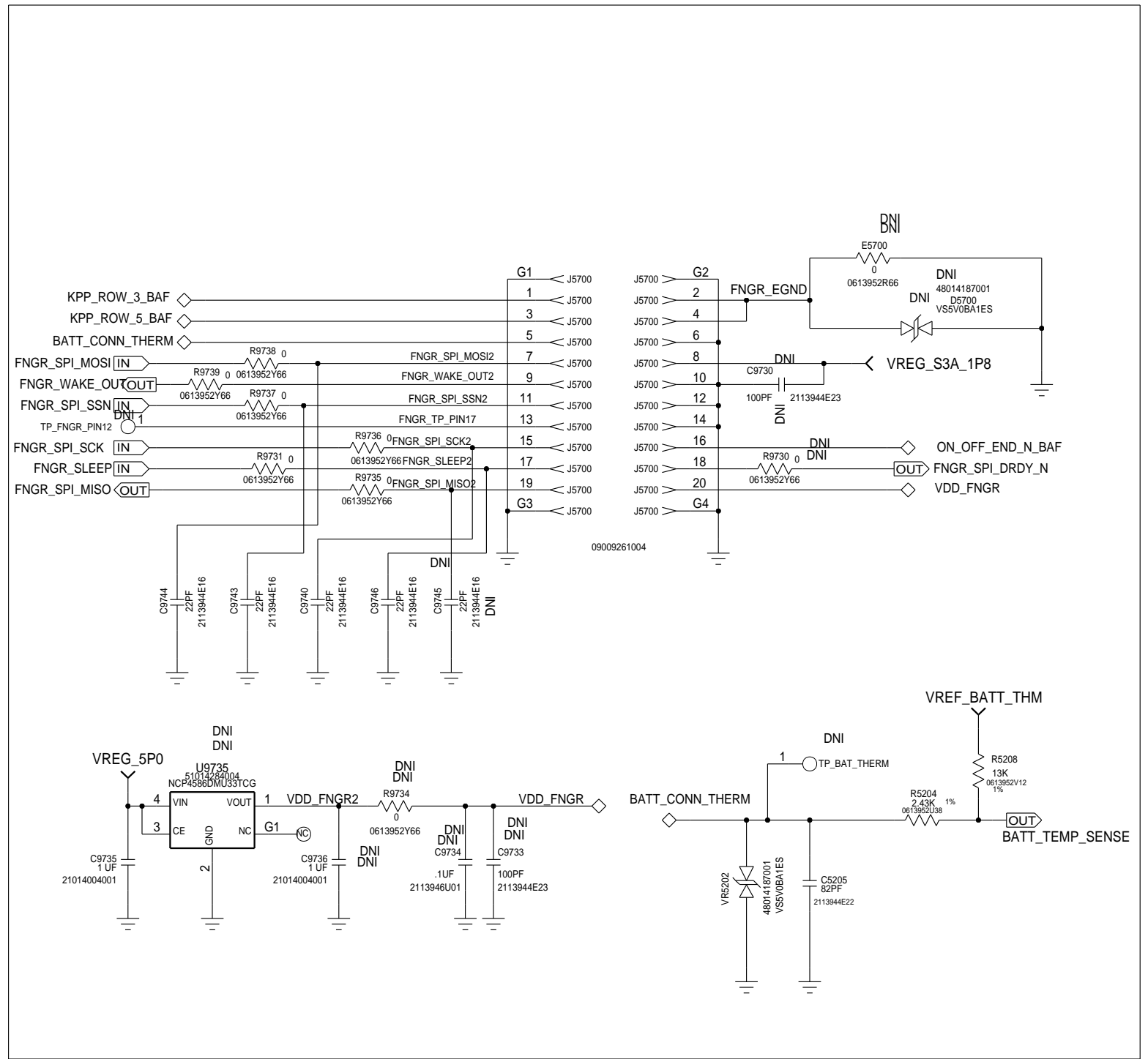
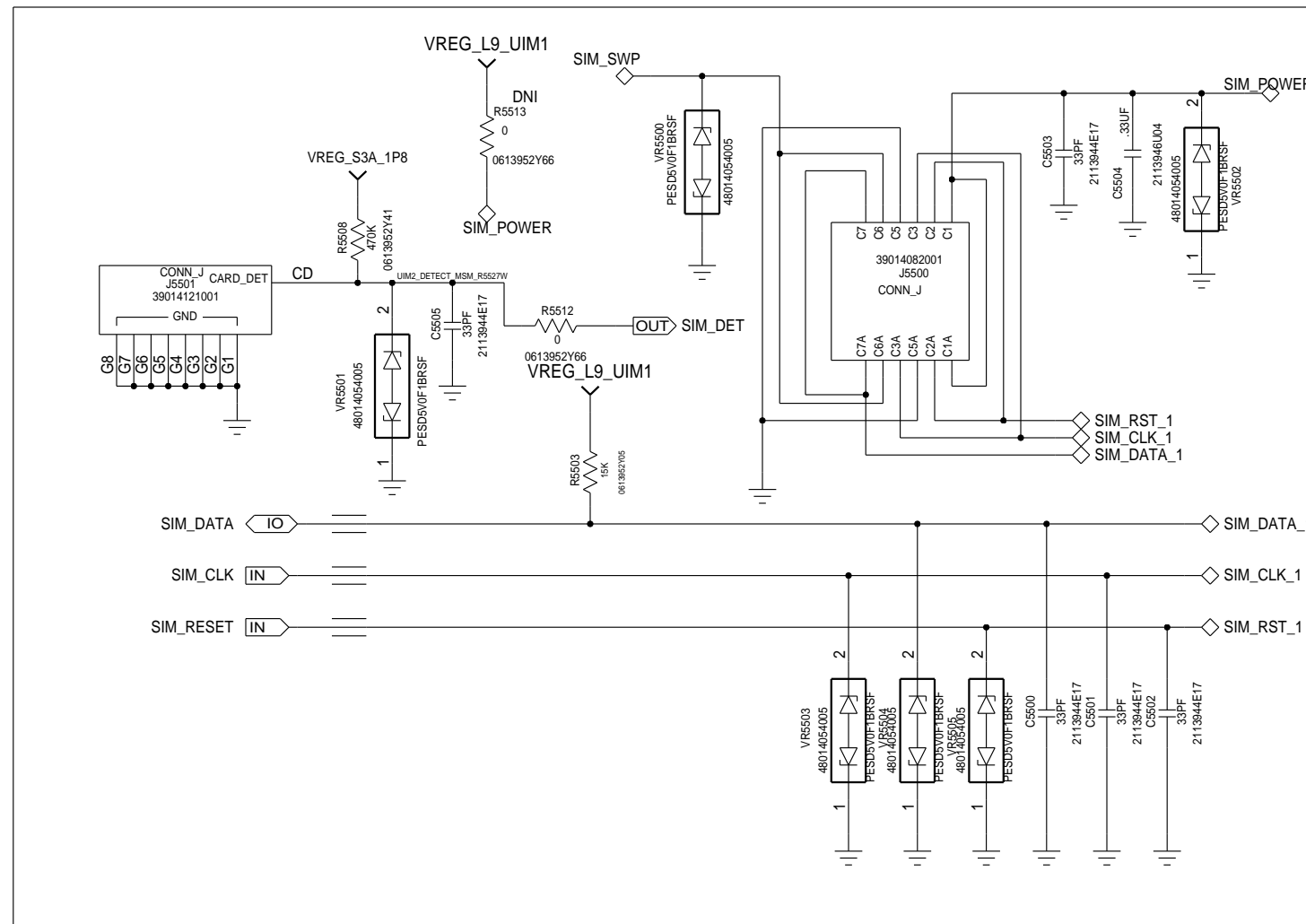
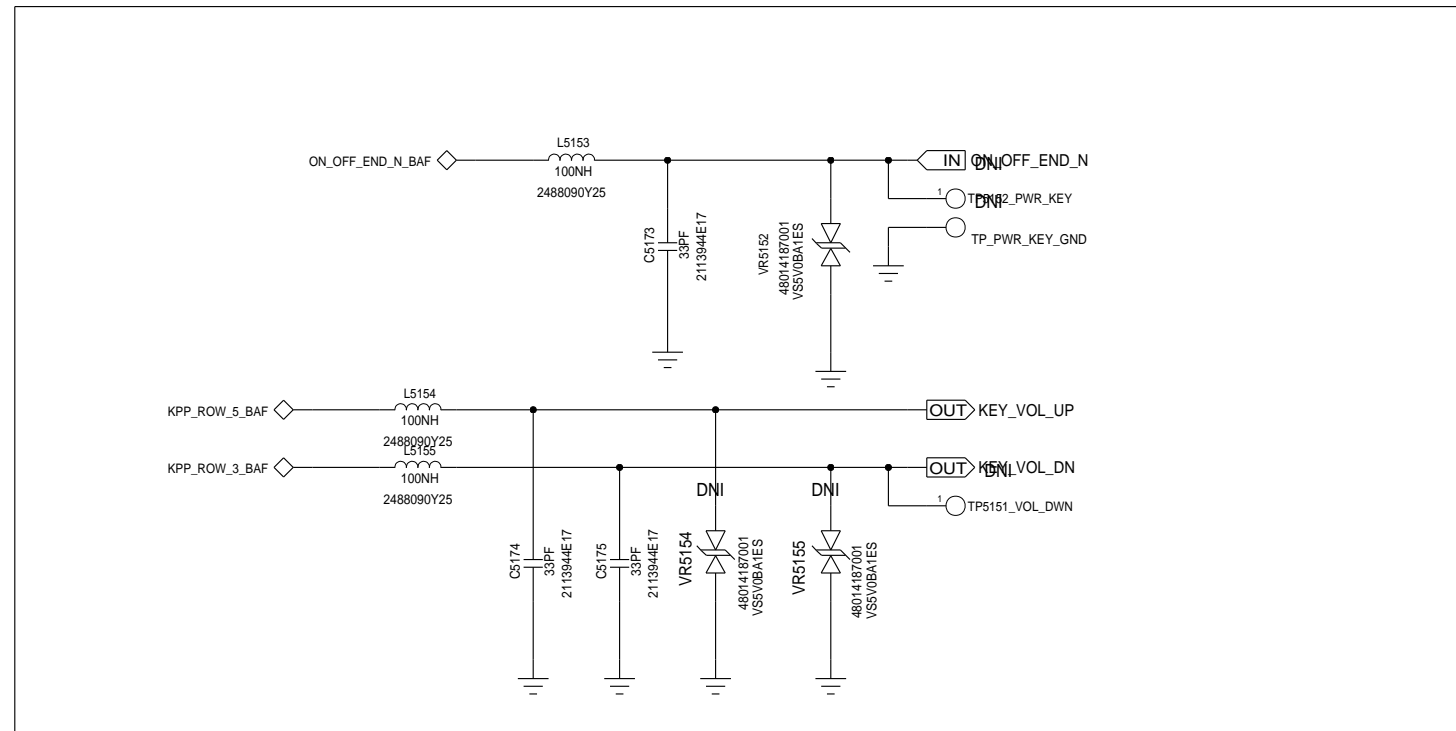
PROJECT NAME
84016292001_b.cpm

REV
01

CAD FILE NAME:

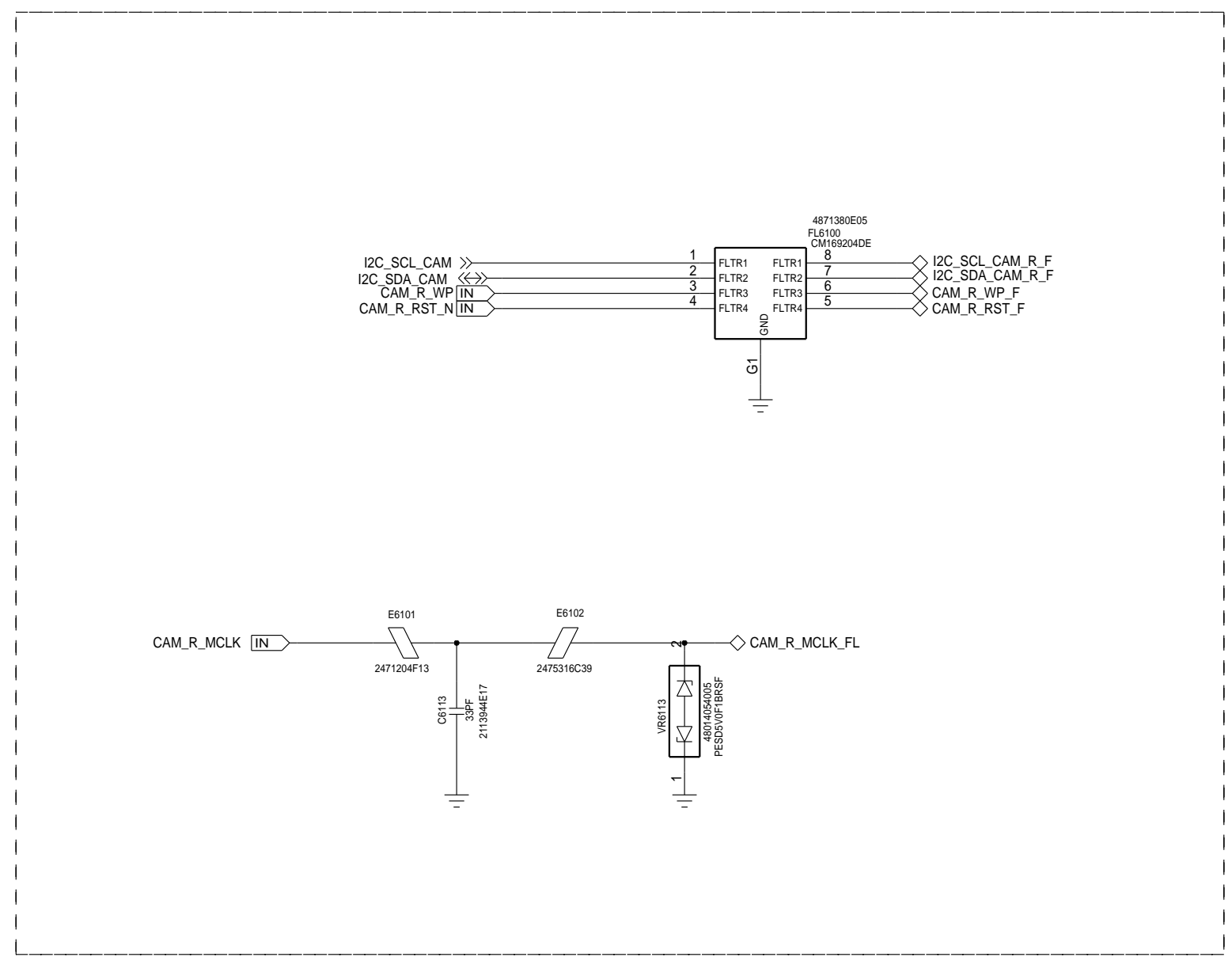
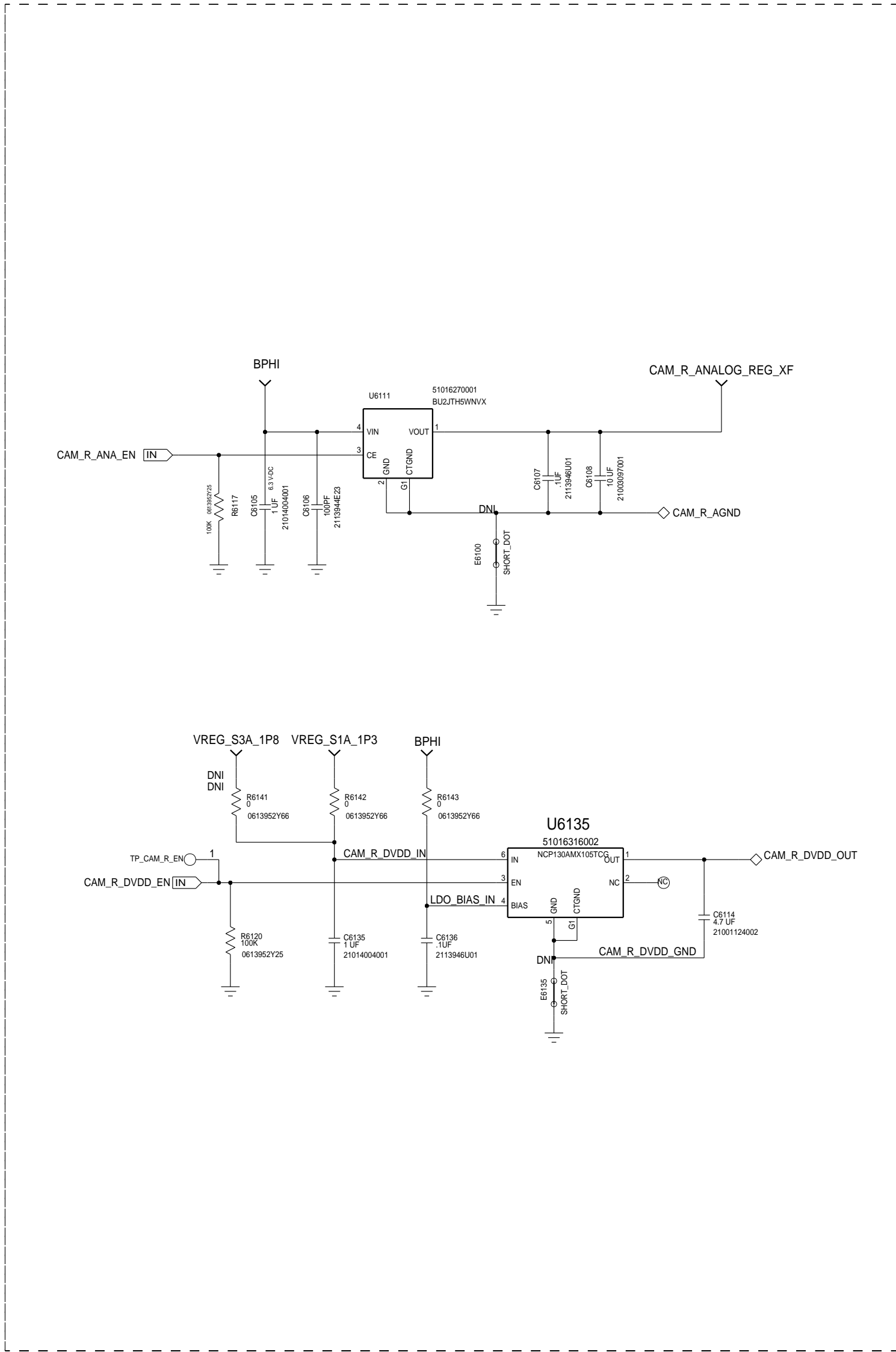
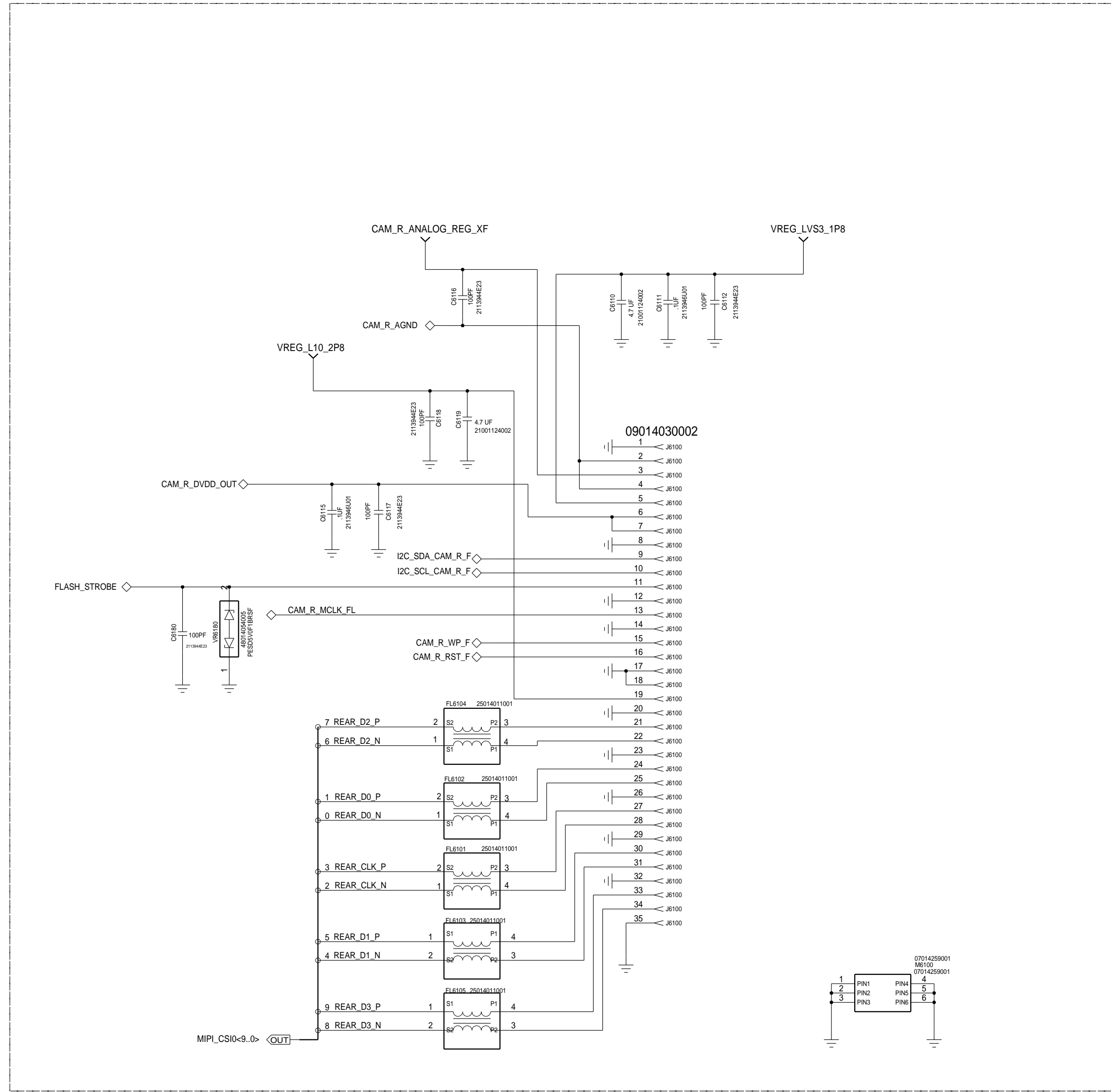
PAGE 14 OF 55

KEYS AND SIM



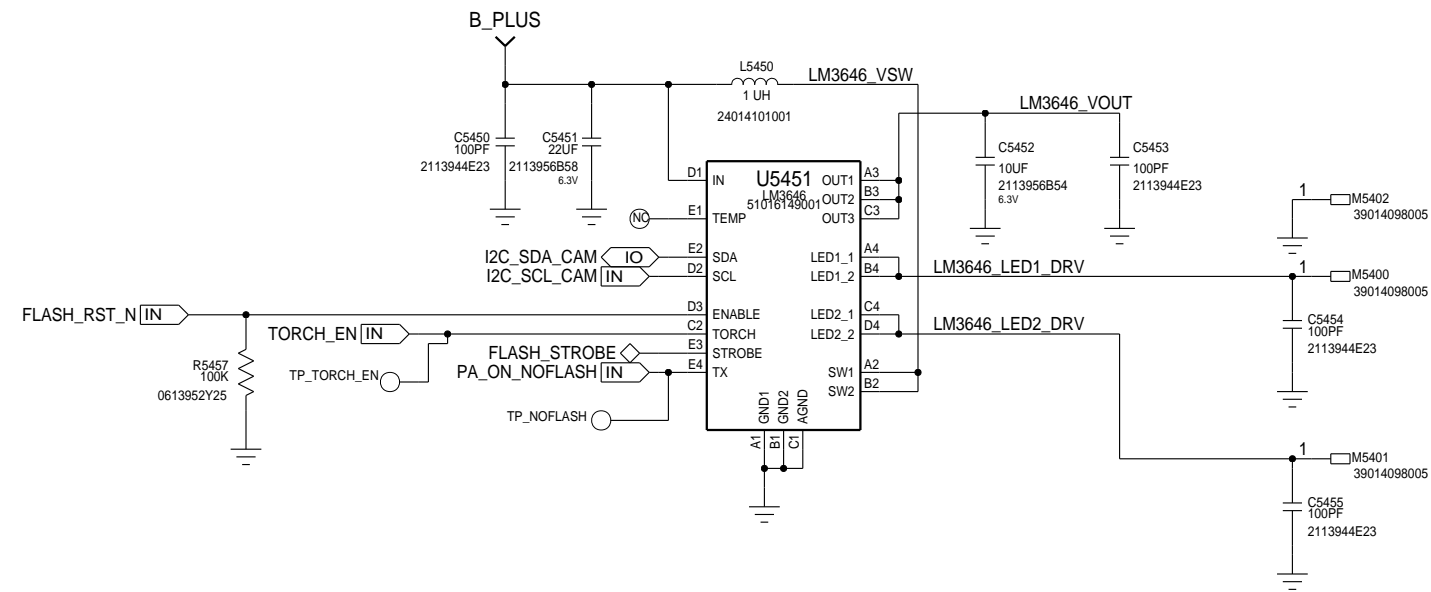
| | | | |
|--|--|--|------------------|
| APPROVALS | | MOTOROLA MOBILE DEVICES | |
| ENGINEER: | | BLOCK TITLE: | |
| LAST MODIFIED BY: Thu Jun 26 14:16:42 2014 | | 84016292001_b | |
| MOTOROLA CONFIDENTIAL RESTRICTED <small>THE DRAWING ON THIS PRINT AND INFORMATION THEREWITH ARE PROPRIETARY TO MOTOROLA AND SHALL NOT BE USED OR DISCUSSED IN WHOLE OR IN PART WITHOUT MOTOROLA'S CONSENT. © COPYRIGHT, MOTOROLA. THIS DOES NOT IMPLY PUBLICATION</small> | | PROJECT NAME B 84016292001_b.cpm | REV 01 |
| | | CAD FILE NAME: | PAGE 15 OF 55 |


| REVISIONS | | | | |
|-----------|-----|-------------|------|----------|
| ZONE | LTR | DESCRIPTION | DATE | APPROVED |
| | | | | |



| | | | |
|--|--------------------------|---------------------------------------|-------------------|
| APPROVALS | | MOTOROLA MOBILE DEVICES | |
| ENGINEER: | XFON TEAM | BLOCK TITLE: | 84016292001_b |
| LAST MODIFIED BY: | GIANCARLO M. | PROJECT NAME: | 84016292001_b.cpm |
| | Thu Jun 26 14:16:49 2014 | REV | 01 |
| <small>MOTOROLA CONFIDENTIAL RESTRICTED</small> <small>THE DRAWING ON THIS PRINT AND INFORMATION THEREON ARE PROPRIETARY TO MOTOROLA AND SHALL NOT BE USED OR DISCLOSED IN WHOLE OR IN PART WITHOUT MOTOROLA'S CONSENT. © COPYRIGHT, MOTOROLA, THIS DOES NOT IMPLY PUBLICATION.</small> | | CAD FILE NAME: | PAGE 16 OF 55 |

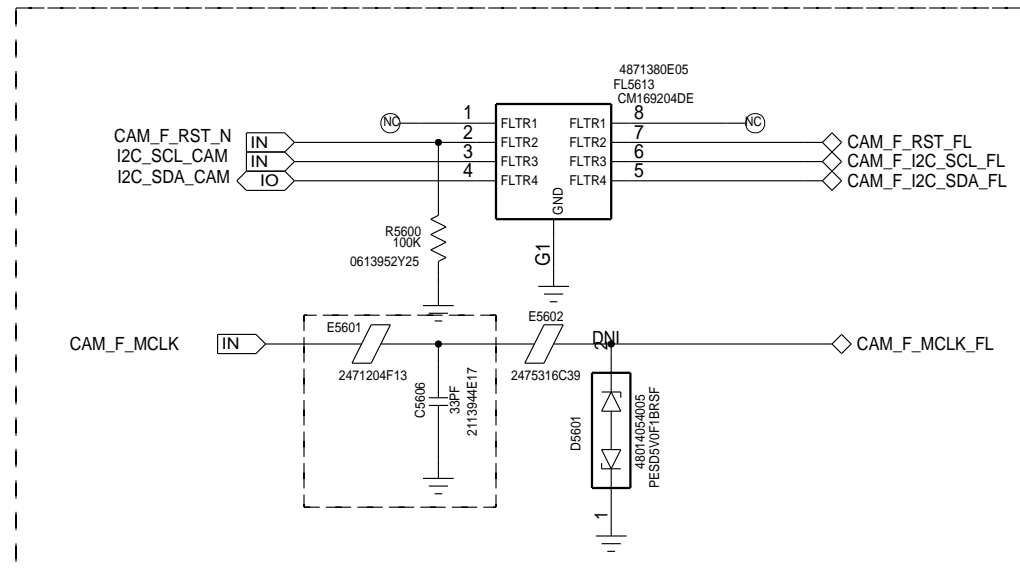
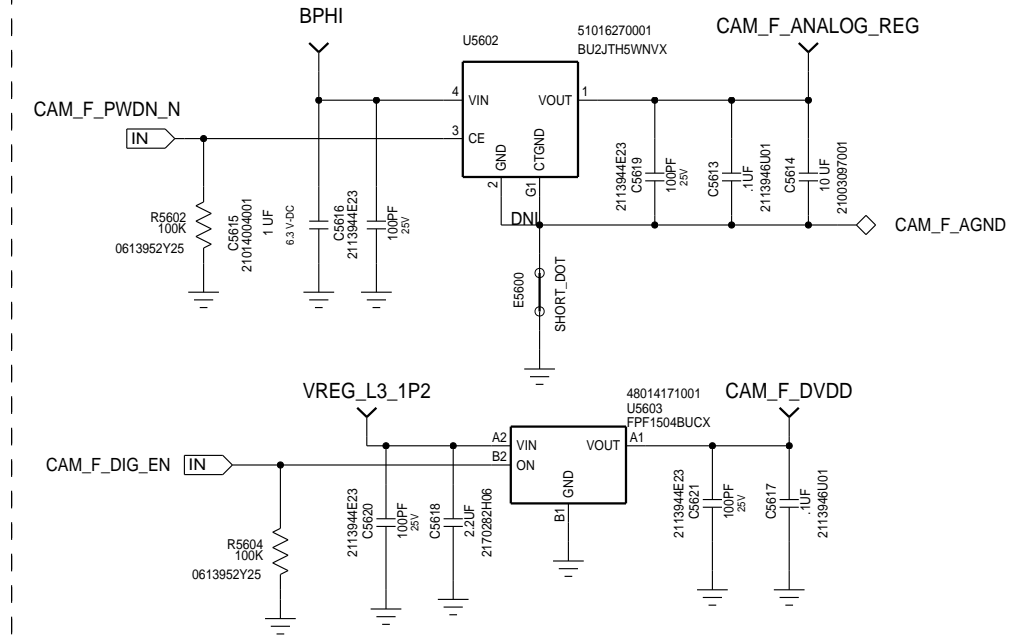
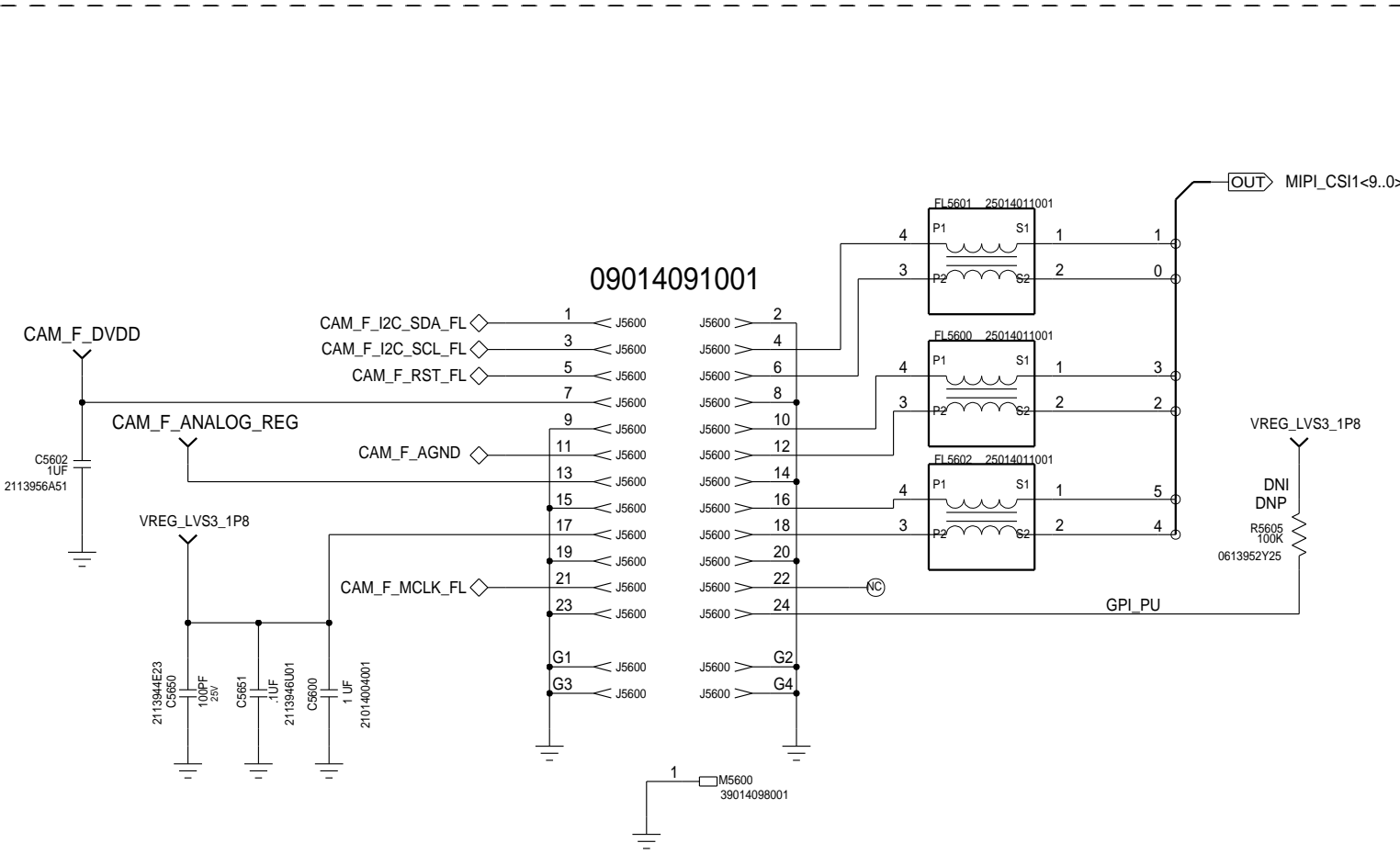
REAR CAMERA FLASH



| | | | |
|---|--|---|-----------|
| APPROVALS | |  MOTOROLA MOBILE DEVICES | |
| ENGINEER: CHRIS KANG | | BLOCK TITLE: | |
| LAST MODIFIED BY: R. NG Thu Jun 26 14:16:55 2014 | | 84016292001_b | |
| MOTOROLA CONFIDENTIAL RESTRICTED <small>THE DRAWING ON THIS PRINT AND INFORMATION THEREWITH ARE PROPRIETARY TO MOTOROLA AND SHALL NOT BE USED OR DISCUSSED IN WHOLE OR IN PART WITHOUT MOTOROLA'S CONSENT. © COPYRIGHT, MOTOROLA. THIS DOES NOT IMPLY PUBLICATION</small> | | PROJECT NAME B 84016292001_b.cpm | REV 01 |
| | | CAD FILE NAME: | |
| | | PAGE 17 OF 55 | |

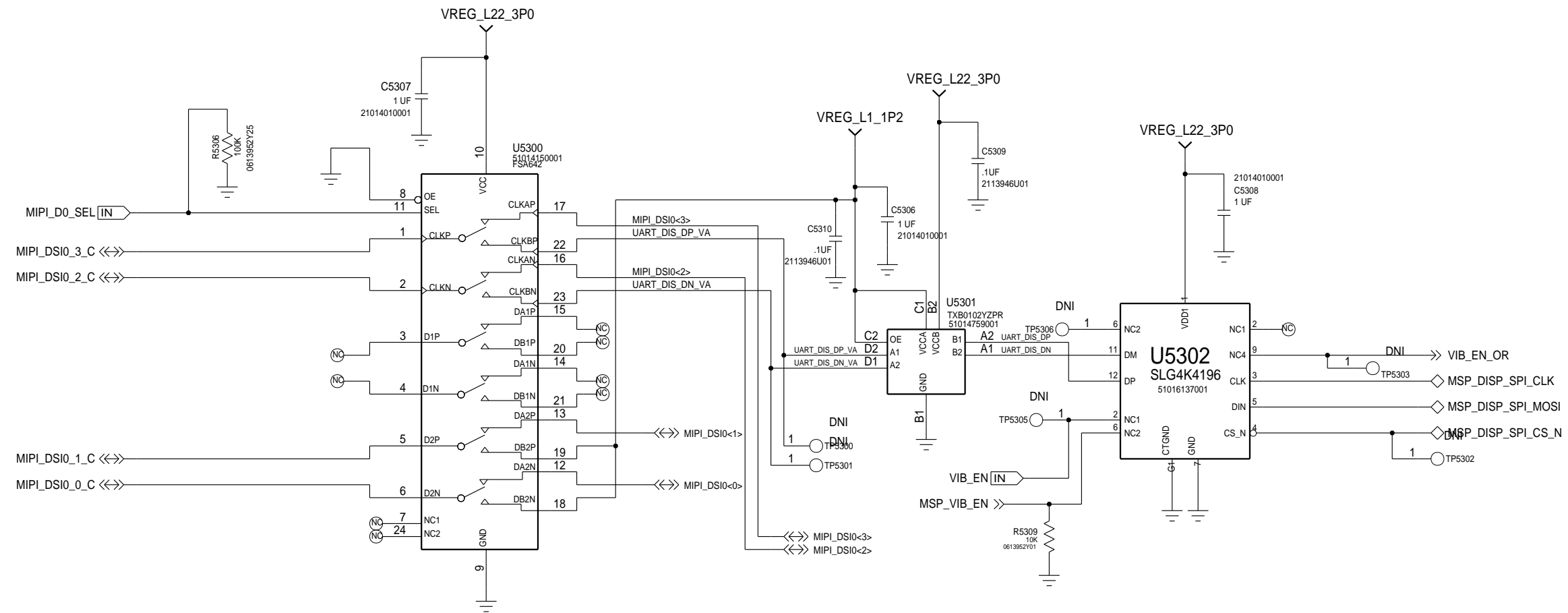
FRONT CAMERA

REF 5600-5649



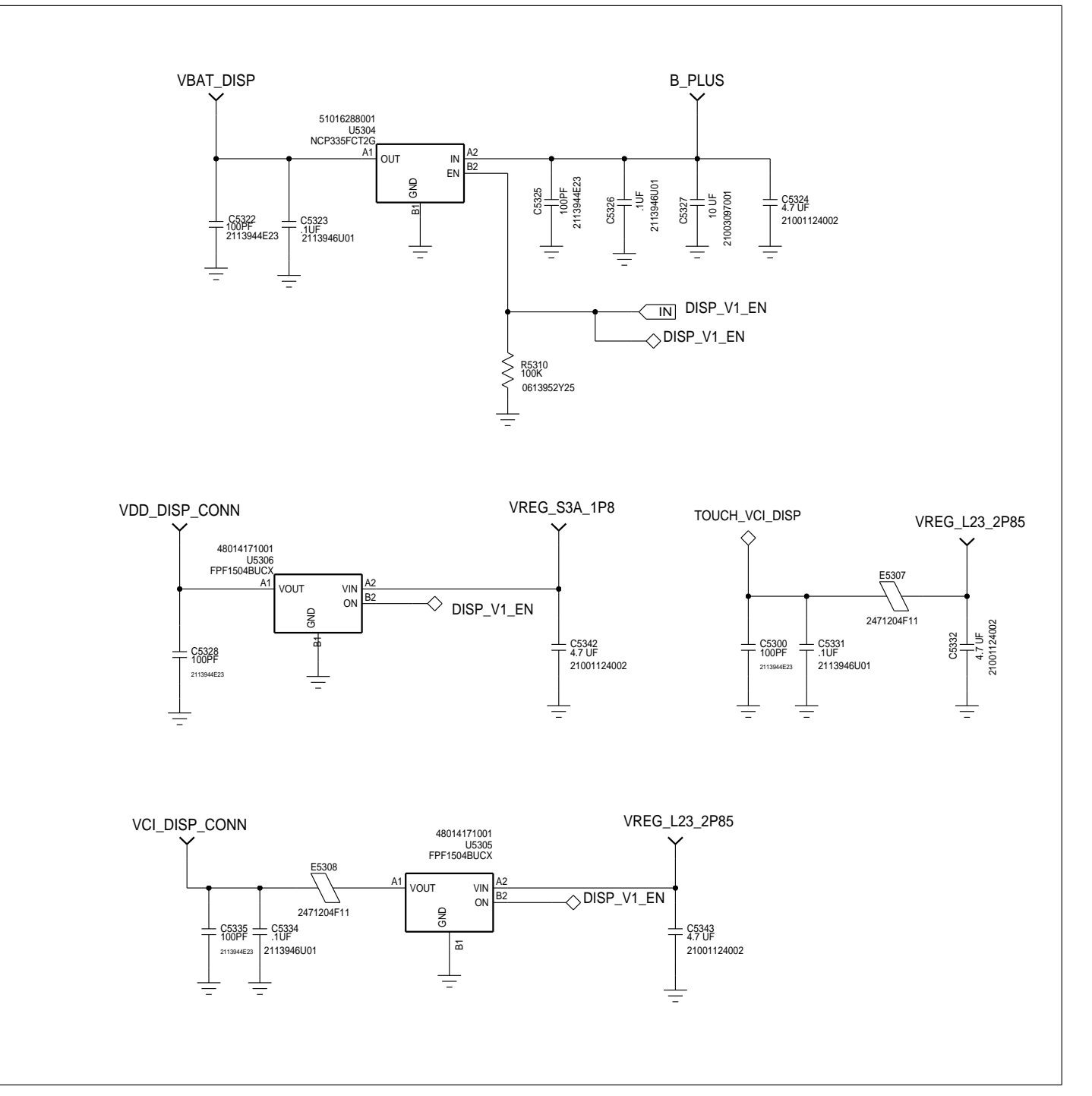
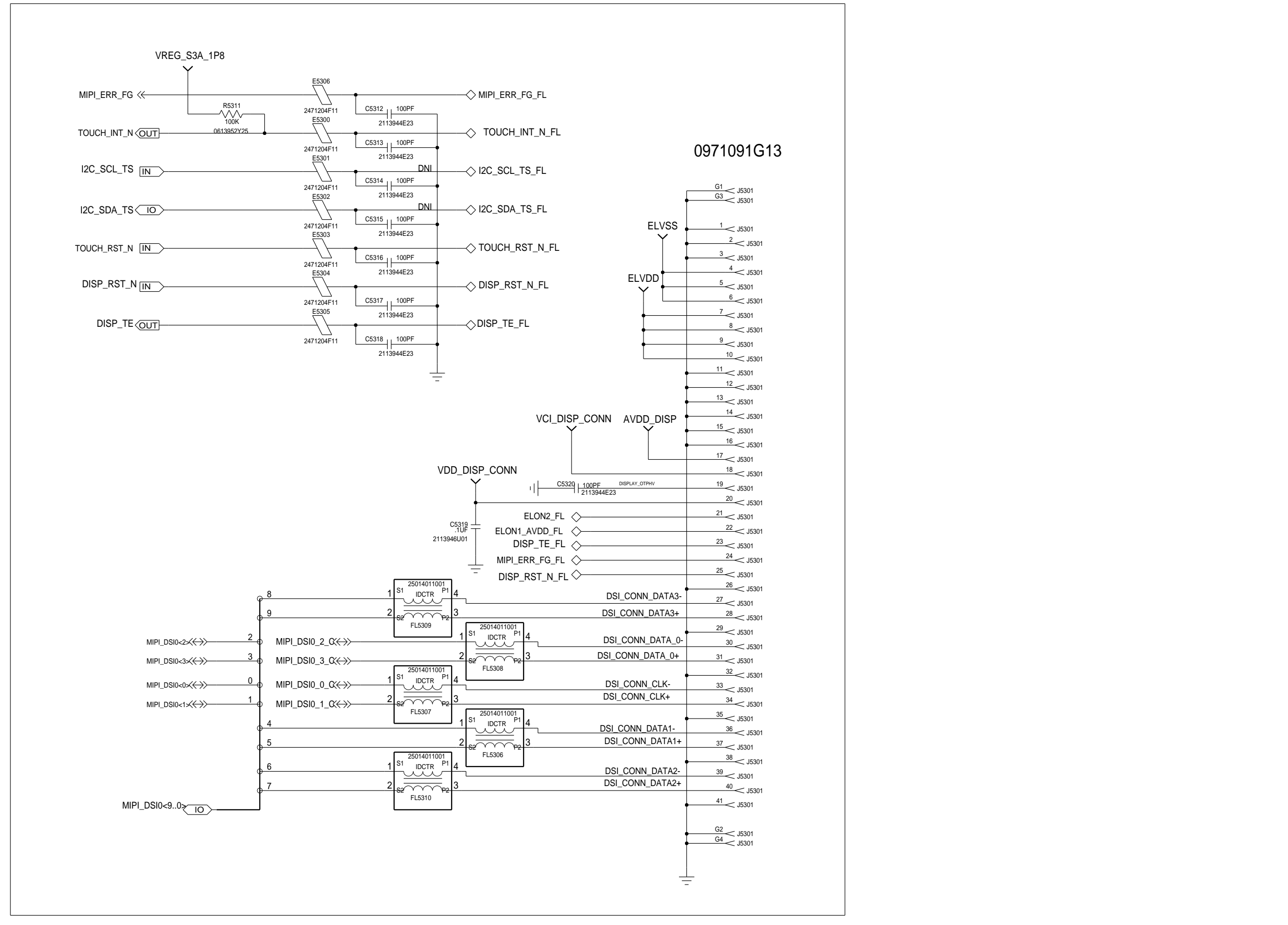
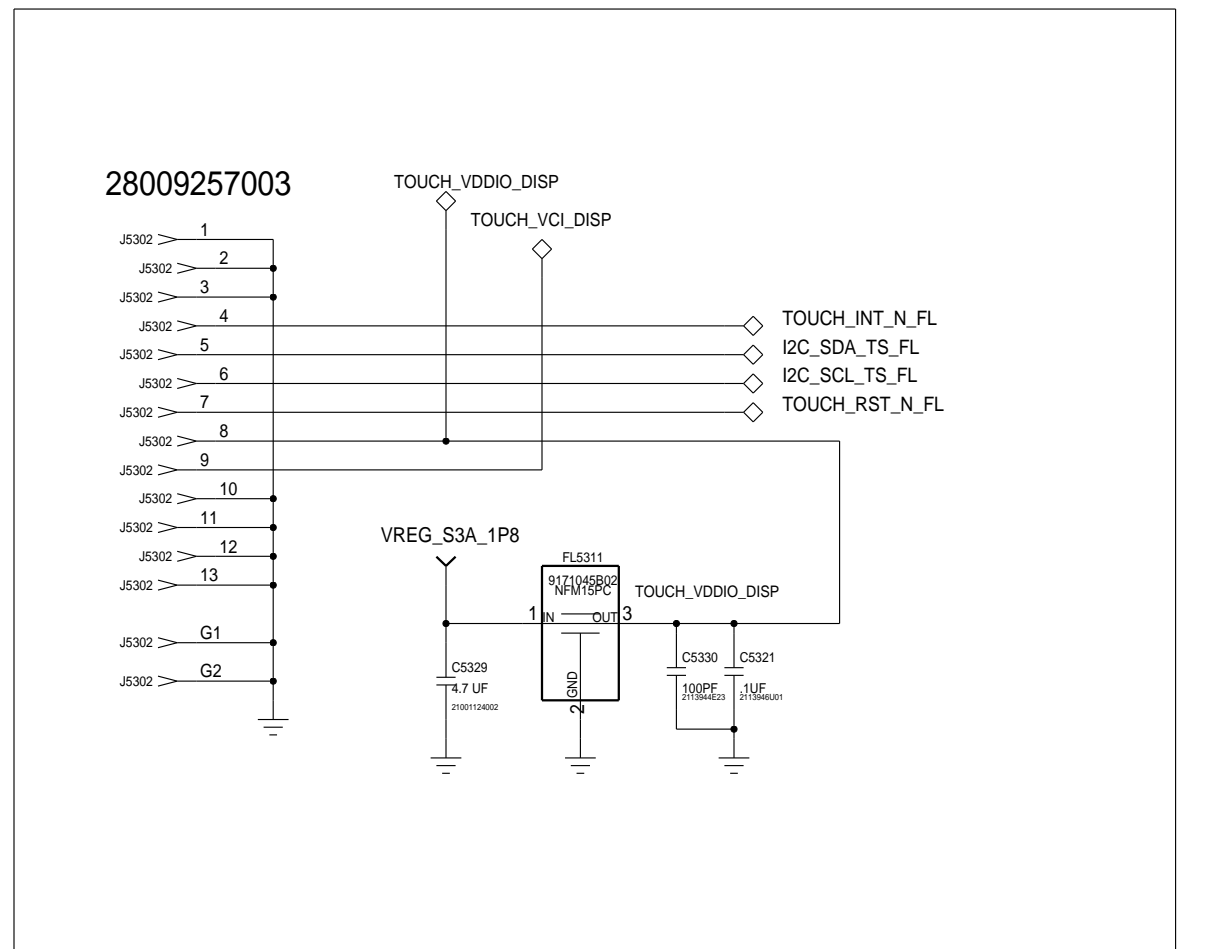
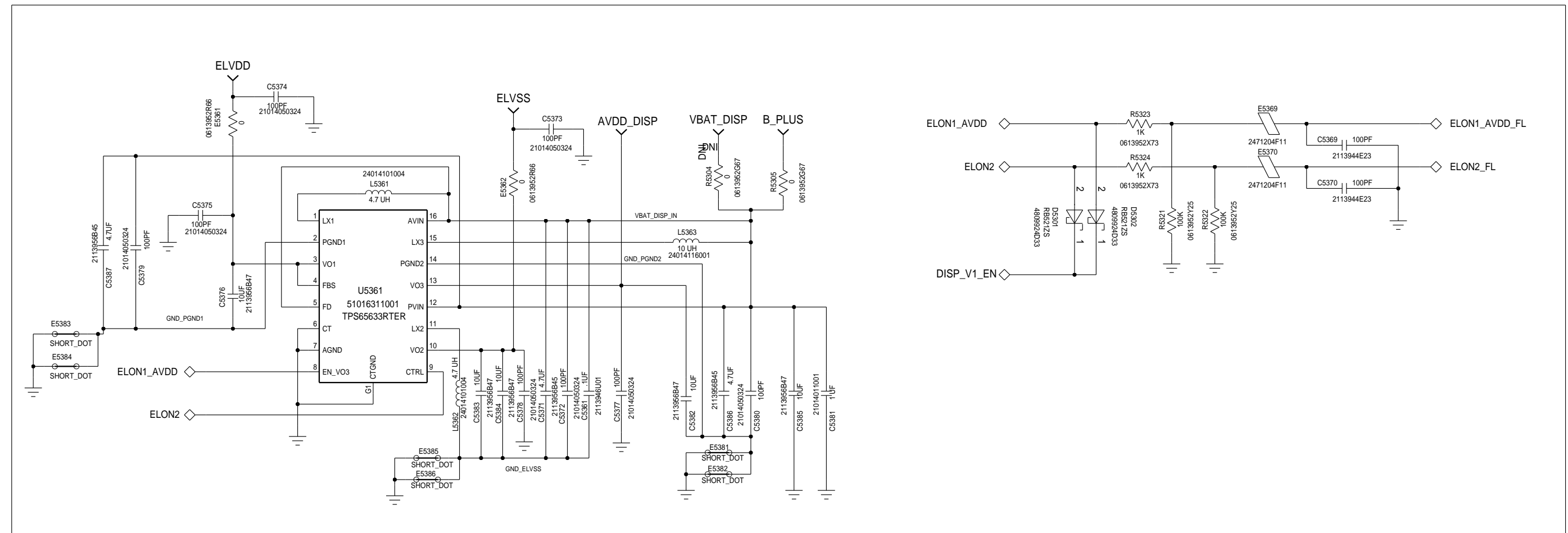
| | | | |
|--|--|--------------------------------------|-----------|
| APPROVALS | | MOTOROLA MOBILE DEVICES | |
| ENGINEER: JOHN KRAMER | | BLOCK TITLE: 84016292001_b | |
| LAST MODIFIED BY: UID ELRAN Thu Jun 26 14:17:02 2014 | | PROJECT NAME: 84016292001_b.cpm | |
| MOTOROLA CONFIDENTIAL RESTRICTED <small>THE DRAWING ON THIS PRINT AND INFORMATION THEREWITH ARE PROPRIETARY TO MOTOROLA AND SHALL NOT BE USED OR DISCUSSED IN WHOLE OR IN PART WITHOUT MOTOROLA'S CONSENT. © COPYRIGHT, MOTOROLA. THIS DOES NOT IMPLY PUBLICATION</small> | | CAD FILE NAME: | REV 01 |
| | | PAGE 18 OF 55 | |

ALWAYS ON DISPLAY



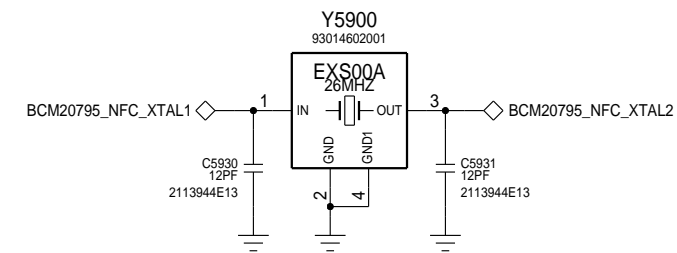
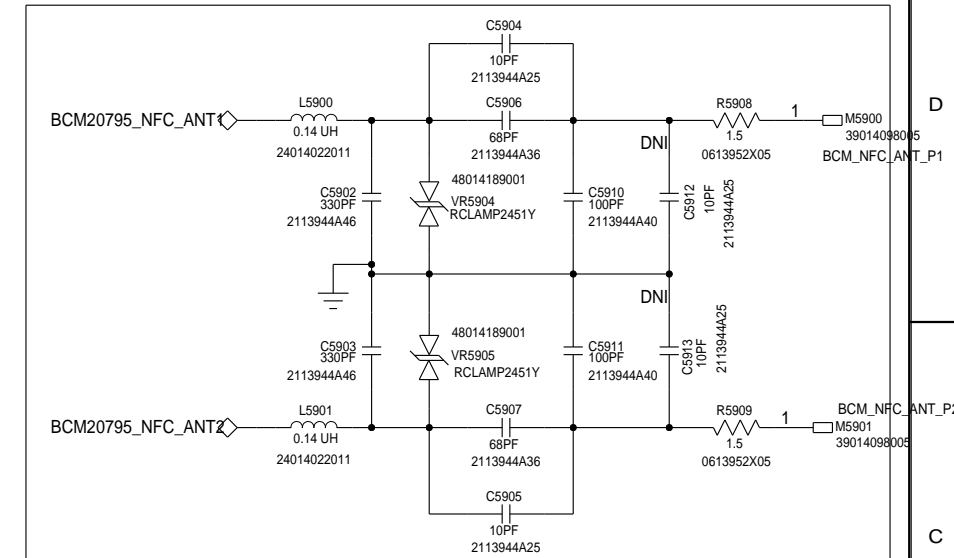
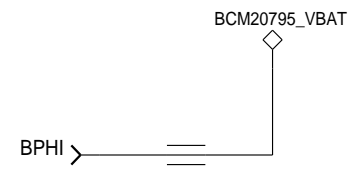
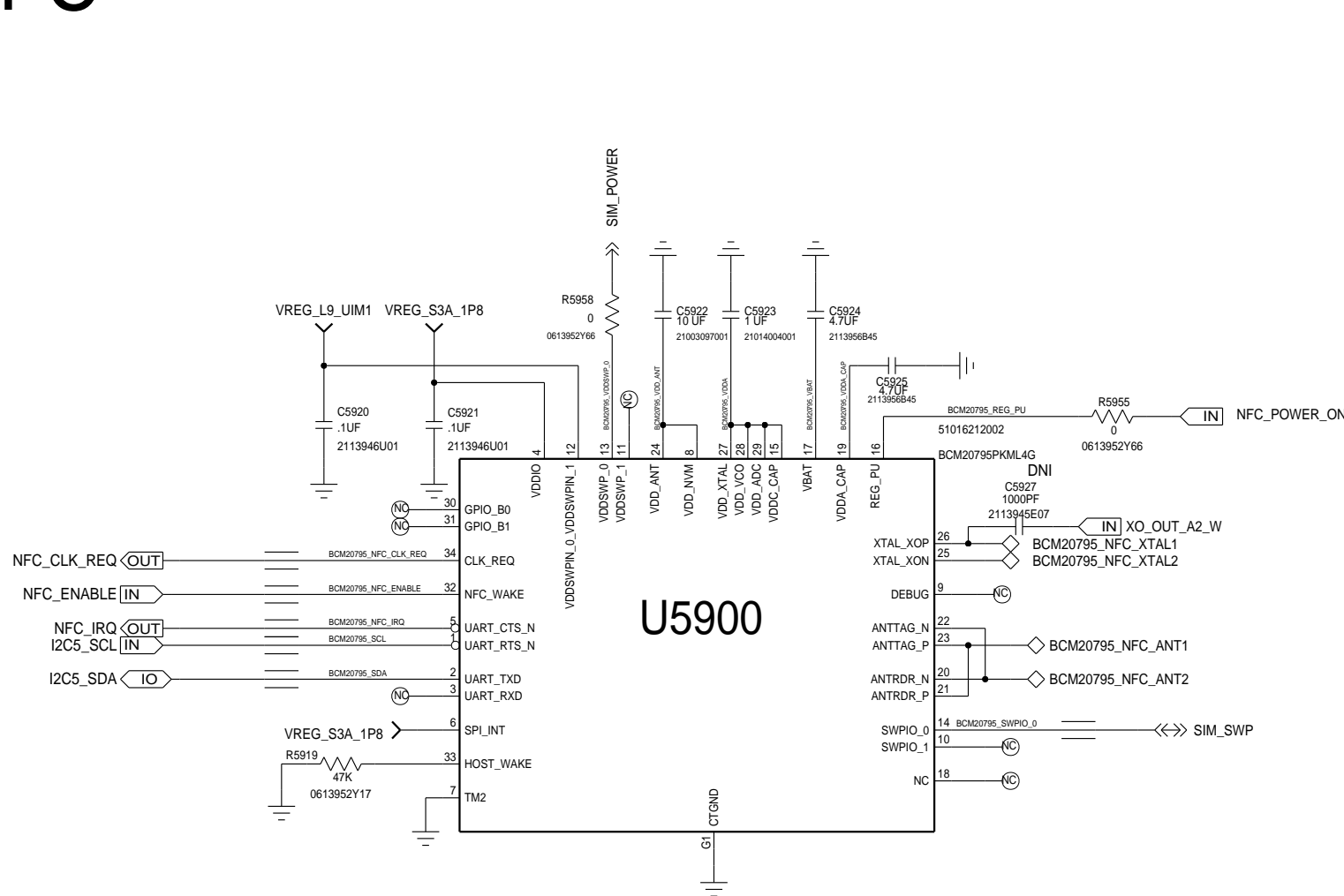
| | | | |
|--|--|--|------------------|
| APPROVALS | | MOTOROLA MOBILE DEVICES | |
| ENGINEER: NATE CONNELL | | BLOCK TITLE: | |
| LAST MODIFIED BY: NATE CONNELL Thu Jun 26 14:17:07 2014 | | 84016292001_b | |
| MOTOROLA CONFIDENTIAL RESTRICTED <small>THE DRAWING ON THIS PRINT AND INFORMATION THEREWITH ARE PROPRIETARY TO MOTOROLA AND SHALL NOT BE USED OR DISCUSSED IN WHOLE OR IN PART WITHOUT MOTOROLA'S CONSENT. © COPYRIGHT, MOTOROLA. THIS DOES NOT IMPLY PUBLICATION</small> | | PROJECT NAME B 84016292001_b.cpm | REV 01 |
| | | CAD FILE NAME: | |
| | | PAGE 19 OF 55 | |

| REVISIONS | | | |
|-----------|-----|-------------|------|
| ZONE | LTR | DESCRIPTION | DATE |
| | | | |
| | | | |



| | | | |
|--|--|--------------------------------------|-----------|
| APPROVALS | | MOTOROLA MOBILE DEVICES | |
| ENGINEER: CHRIS KANG | | BLOCK TITLE: 84016292001_b | |
| LAST MODIFIED BY: CHRIS KANG Thu Jun 26 14:17:16 2014 | | PROJECT NAME: 84016292001_b.cpm | |
| MOTOROLA CONFIDENTIAL RESTRICTED | | CAD FILE NAME: | REV 01 |
| THE DRAWING ON THIS PRINT AND INFORMATION THEREWITH ARE PROPRIETARY TO MOTOROLA AND SHALL NOT BE USED OR DISCUSSED IN WHOLE OR IN PART WITHOUT MOTOROLA'S CONSENT. © COPYRIGHT, MOTOROLA. THIS DOES NOT IMPLY PUBLICATION. | | | |

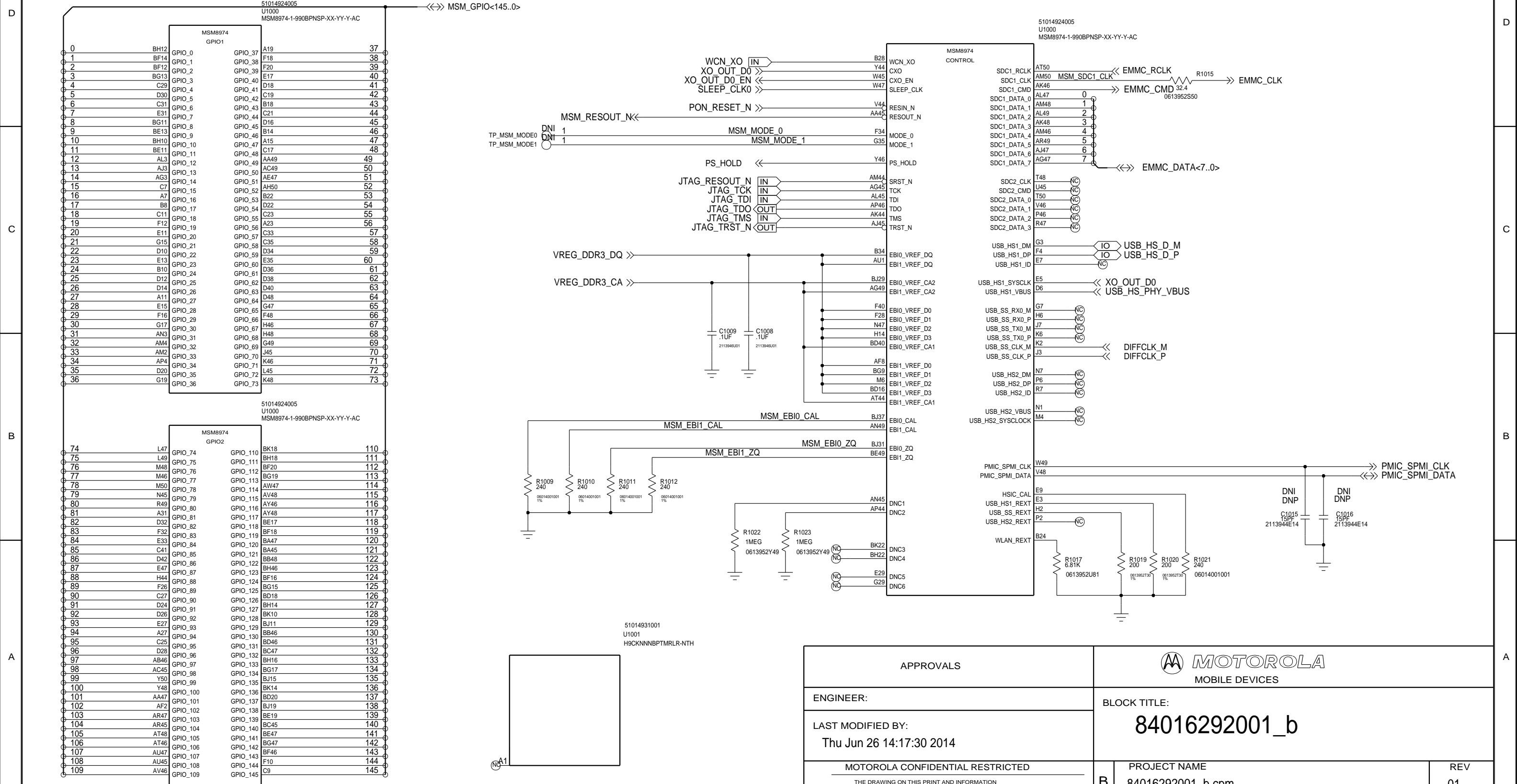
NFC



| | | | |
|--|--|-----------------------------------|-----|
| APPROVALS | | MOTOROLA MOBILE DEVICES | |
| ENGINEER: FROEHLING | | BLOCK TITLE: | |
| LAST MODIFIED BY: FROEHLING Thu Jun 26 14:17:22 2014 | | 84016292001_b | |
| MOTOROLA CONFIDENTIAL RESTRICTED THE DRAWING ON THIS PRINT AND INFORMATION THEREWITH ARE PROPRIETARY TO MOTOROLA AND SHALL NOT BE USED OR DISCUSSED IN WHOLE OR IN PART WITHOUT MOTOROLA'S CONSENT. © COPYRIGHT, MOTOROLA. THIS DOES NOT IMPLY PUBLICATION | | PROJECT NAME | REV |
| | | B 84016292001_b.cpm | 01 |
| CAD FILE NAME: | | PAGE 21 OF 55 | |

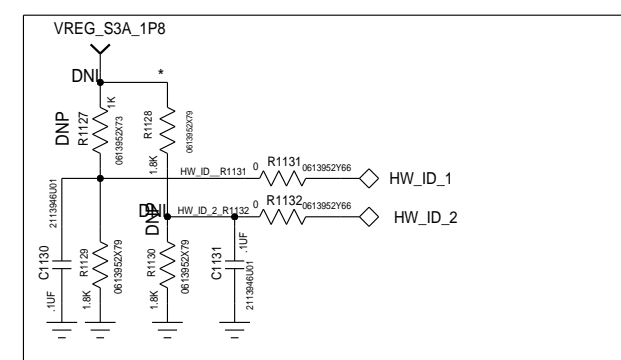
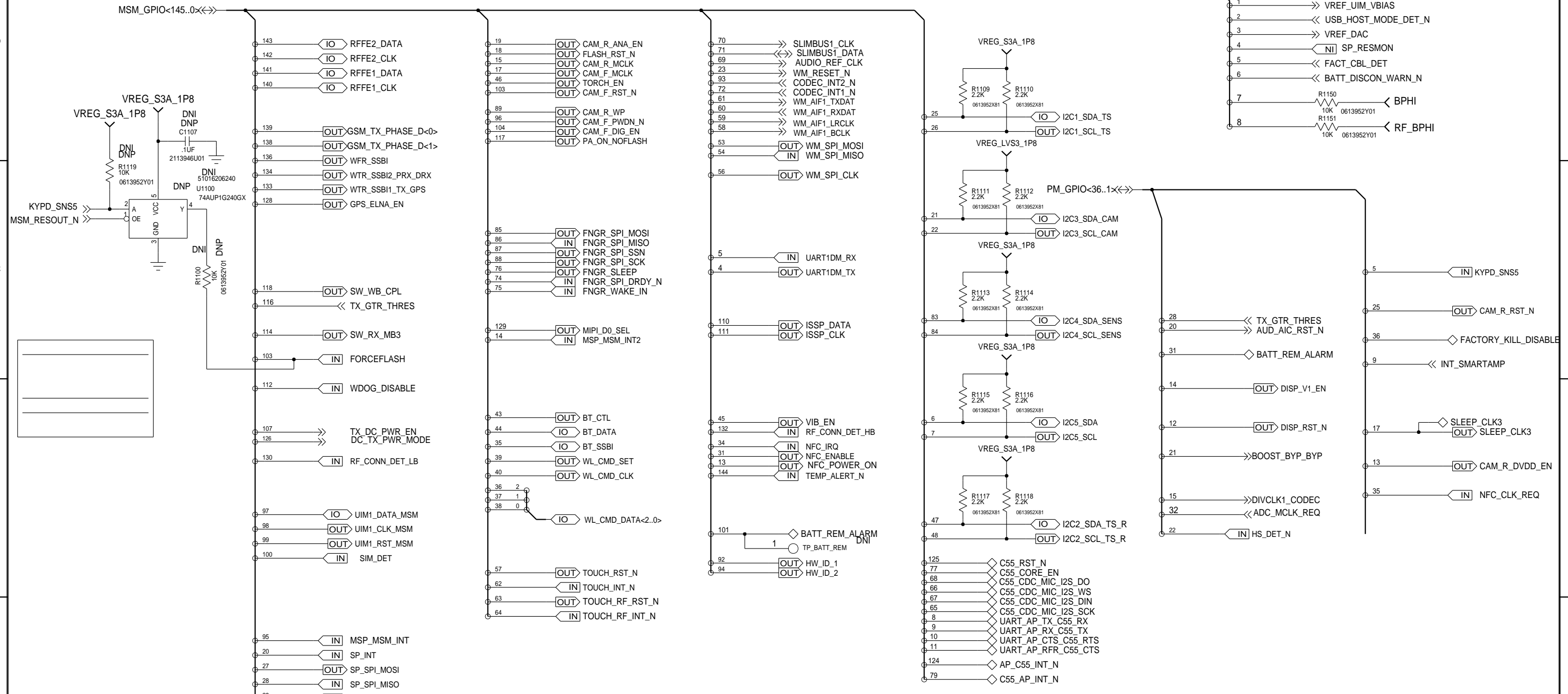
MSM8974 CTRL/ANALOG/JTAG

REF 1000-1099



| | | | |
|--|--|-----------------------------------|---------------|
| APPROVALS | | MOTOROLA MOBILE DEVICES | |
| ENGINEER: | | BLOCK TITLE: | |
| LAST MODIFIED BY: Thu Jun 26 14:17:30 2014 | | 84016292001_b | |
| MOTOROLA CONFIDENTIAL RESTRICTED | | PROJECT NAME | REV |
| THE DRAWING ON THIS PRINT AND INFORMATION THEREWITH ARE PROPRIETARY TO MOTOROLA AND SHALL NOT BE USED OR DISCUSSED IN WHOLE OR IN PART WITHOUT MOTOROLA'S CONSENT. © COPYRIGHT, MOTOROLA, THIS DOES NOT IMPLY PUBLICATION | | B 84016292001_b.cpm | 01 |
| | | CAD FILE NAME: | PAGE 22 OF 55 |

MSM8974 GPIO



| | | | |
|--|--|-----------------------------------|---------------|
| APPROVALS | | MOTOROLA MOBILE DEVICES | |
| ENGINEER: | | BLOCK TITLE: | |
| LAST MODIFIED BY: TIM MILLER Thu Jun 26 14:17:38 2014 | | 84016292001_b | |
| MOTOROLA CONFIDENTIAL RESTRICTED | | PROJECT NAME | REV |
| THE DRAWING ON THIS PRINT AND INFORMATION THEREWITH ARE PROPRIETARY TO MOTOROLA AND SHALL NOT BE USED OR DISCUSSED IN WHOLE OR IN PART WITHOUT MOTOROLA'S CONSENT. © COPYRIGHT, MOTOROLA. THIS DOES NOT IMPLY PUBLICATION | | B 84016292001_b.cpm | 01 |
| | | CAD FILE NAME: | PAGE 23 OF 55 |

MSM8974 MIPI/HDMI/RF

REF 1200-1299

D

C

B

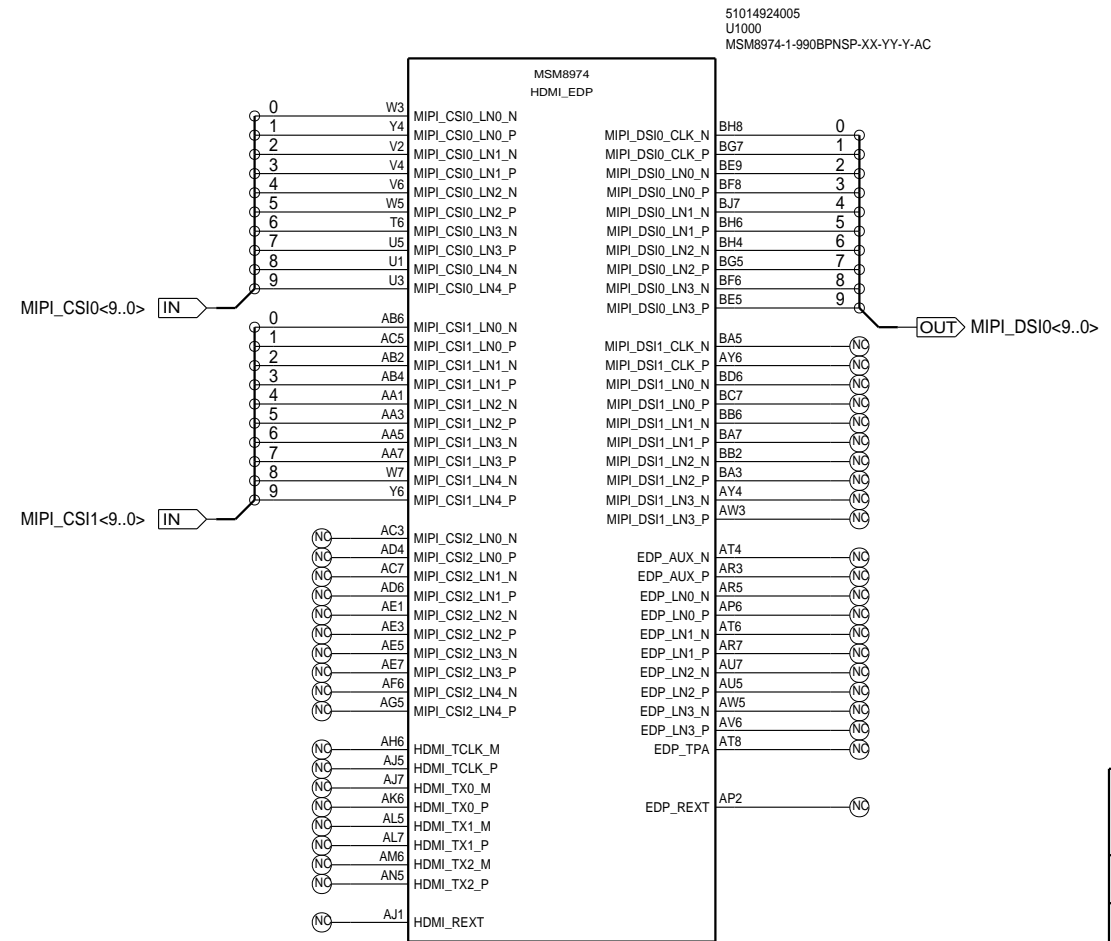
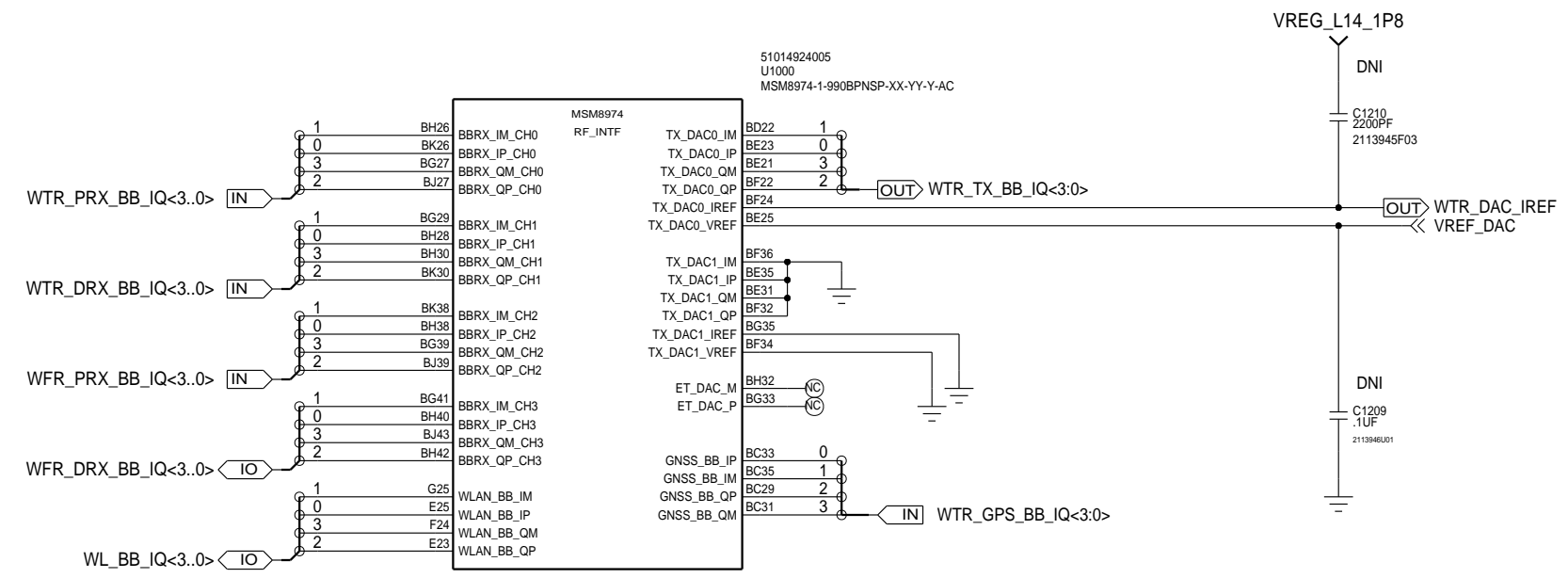
A

D

C

B

A



| | | | |
|--|--|---------------------|-----|
| APPROVALS | | | |
| ENGINEER: | | BLOCK TITLE: | |
| LAST MODIFIED BY: | | 84016292001_b | |
| Thu Jun 26 14:17:45 2014 | | | |
| MOTOROLA CONFIDENTIAL RESTRICTED | | PROJECT NAME | REV |
| THE DRAWING ON THIS PRINT AND INFORMATION THEREWITH ARE PROPRIETARY TO MOTOROLA AND SHALL NOT BE USED OR DISCUSSED IN WHOLE OR IN PART WITHOUT MOTOROLA'S CONSENT. | | B 84016292001_b.cpm | 01 |
| © COPYRIGHT, MOTOROLA. THIS DOES NOT IMPLY PUBLICATION | | PAGE 24 OF 55 | |

MSM8974 POWER 1

REF 1300-1399

REVISIONS

| ZONE | LTR | DESCRIPTION | DATE | APPROVED |
|------|-----|-------------|------|----------|
|------|-----|-------------|------|----------|

8

7

6

5

4

3

2

1

8

7

6

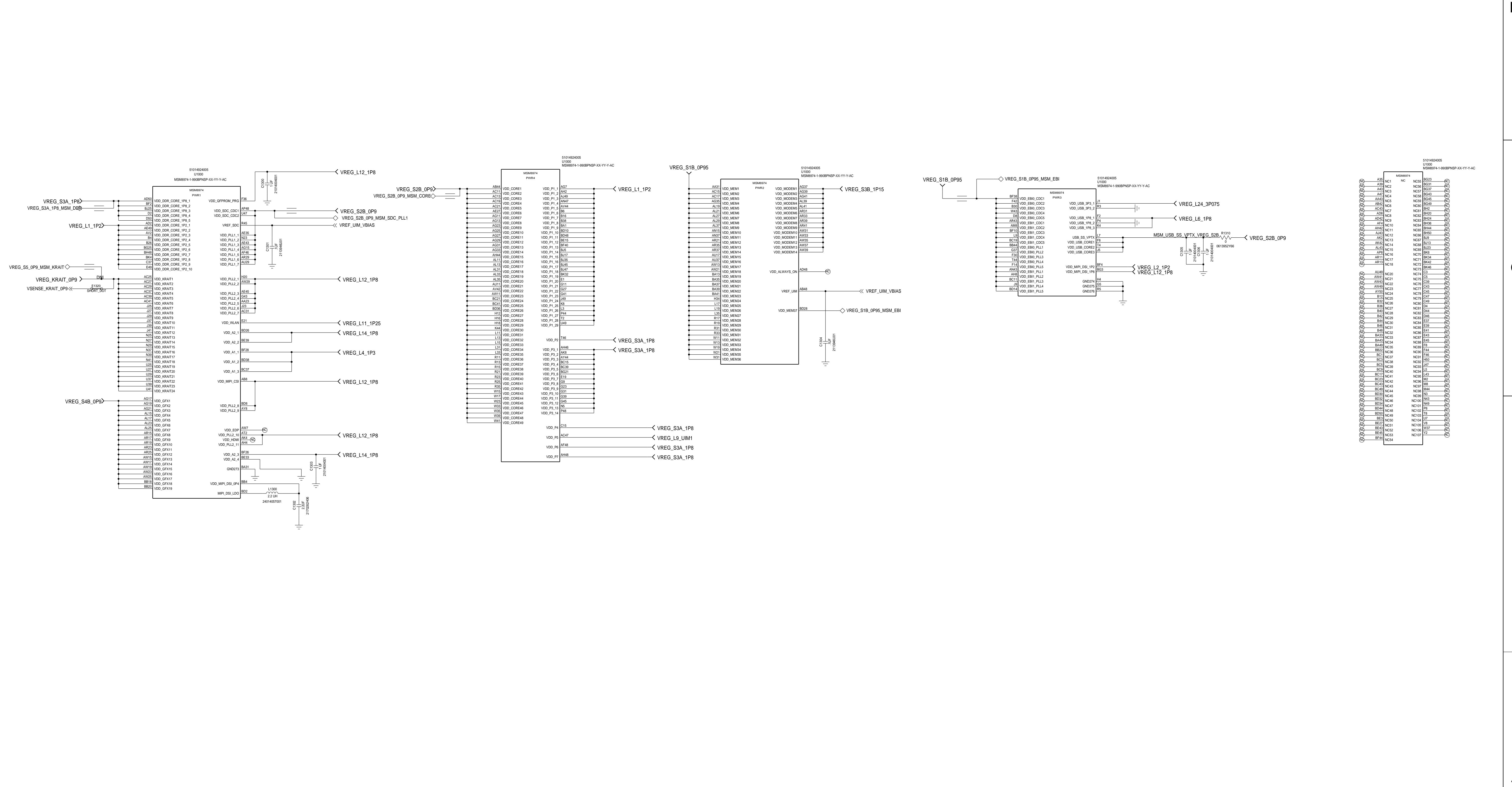
5


4

3

2

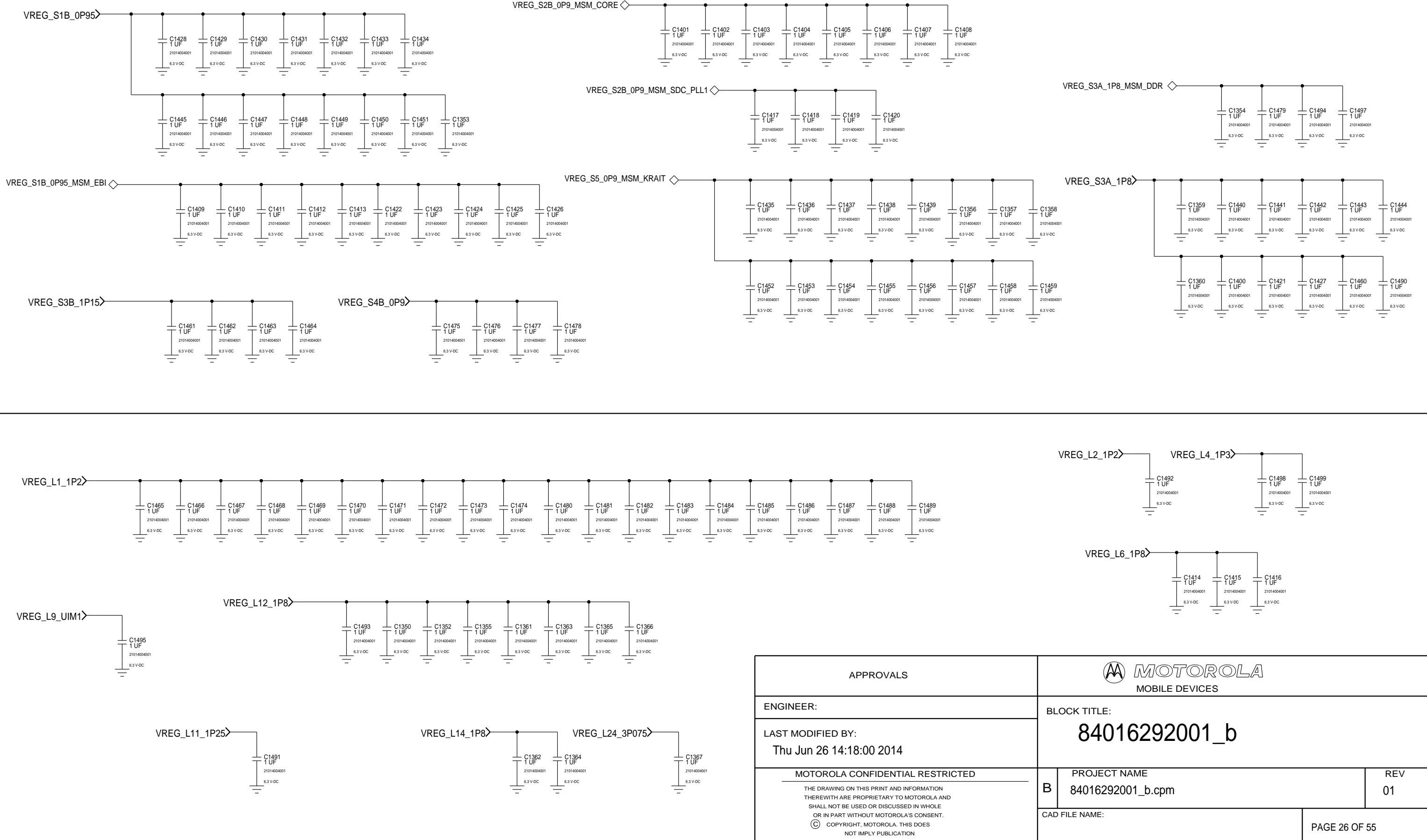
1




| | | | |
|---|---|-------------------|---------------|
| APPROVALS |  MOBILE DEVICES | | |
| ENGINEER: | BLOCK TITLE: | 84016292001_b | |
| LAST MODIFIED BY: Thu Jun 26 14:17:52 2014 | PROJECT NAME: | 84016292001_b.cpm | |
| MOTOROLA CONFIDENTIAL RESTRICTED | CAD FILE NAME: | REV | 01 |
| THE DRAWING OR THIS PRINT AND INFORMATION THEREIN ARE PROPRIETARY TO MOTOROLA AND SHALL NOT BE USED OR DISCLOSED IN WHOLE OR IN PART WITHOUT MOTOROLA'S CONSENT. © COPYRIGHT, MOTOROLA, THIS DOES NOT MEAN PUBLICATION. | | | PAGE 25 OF 55 |

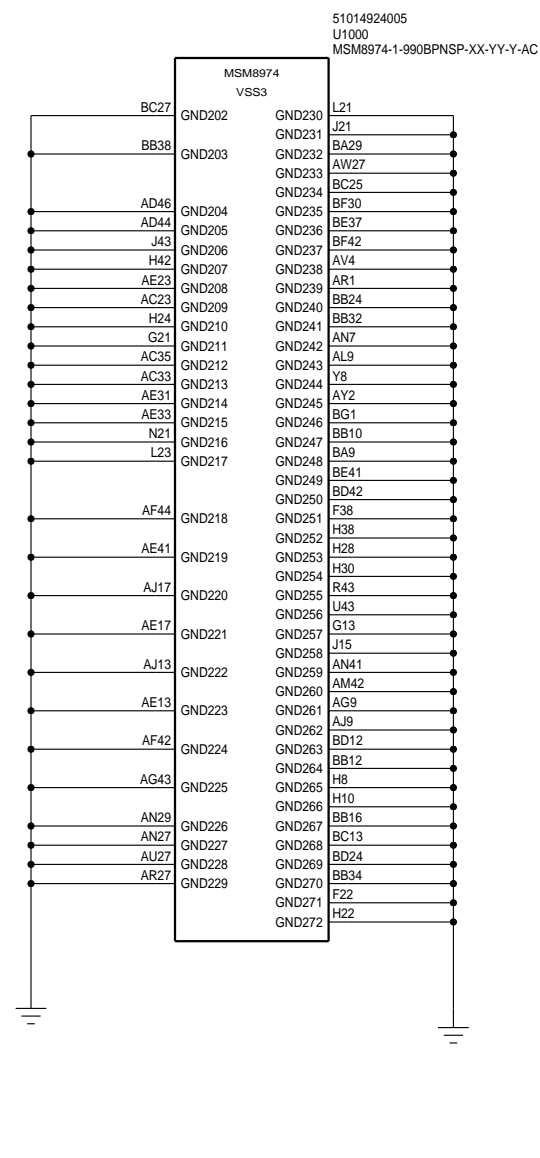
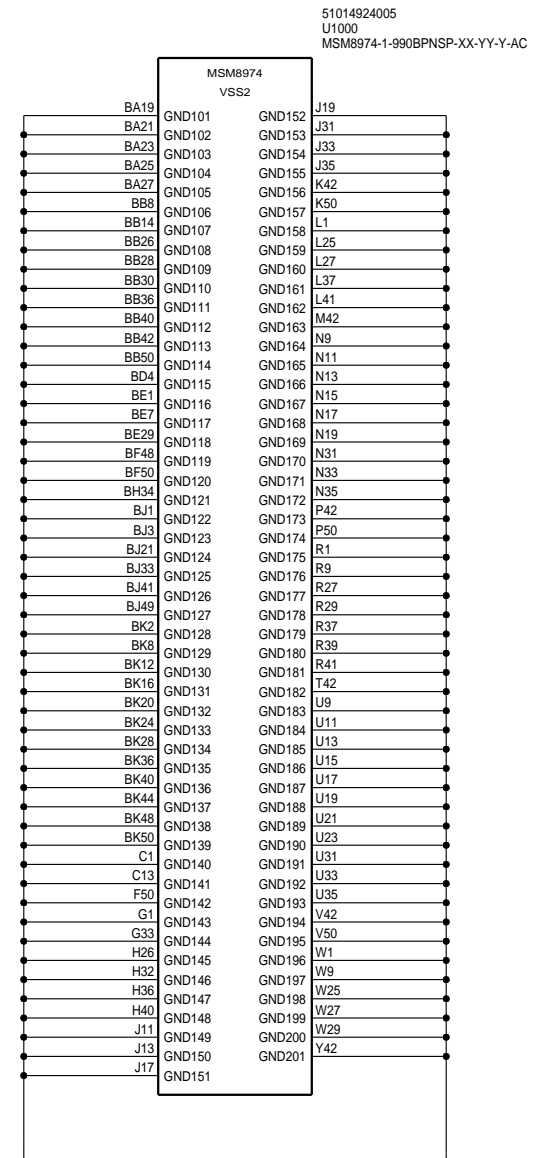
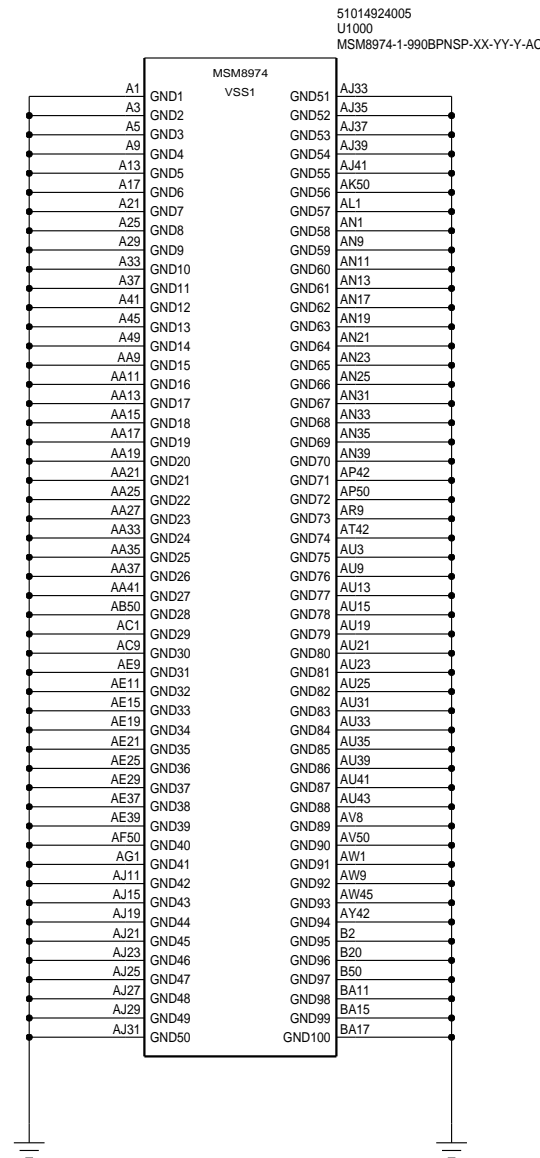
MSM8974 POWER 2

REF 1400-1499



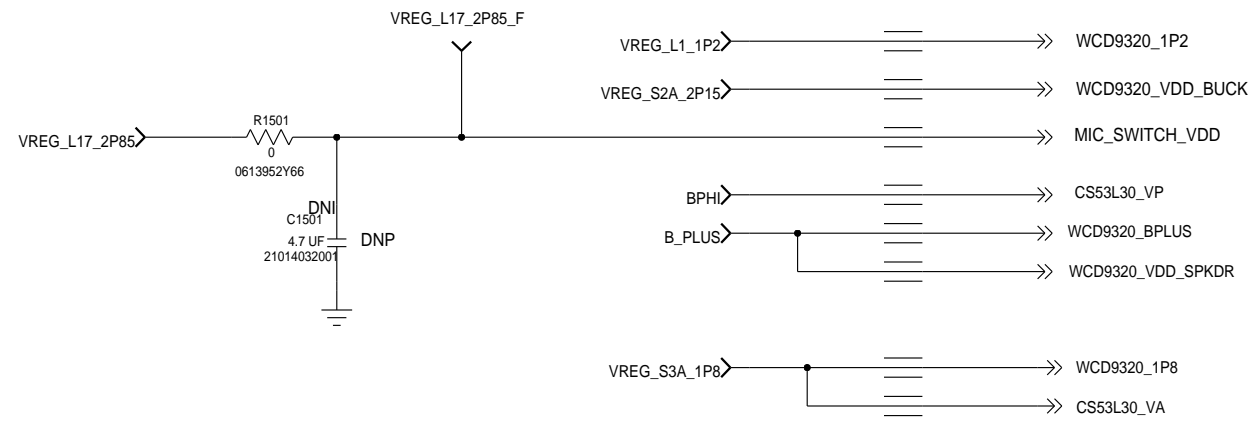
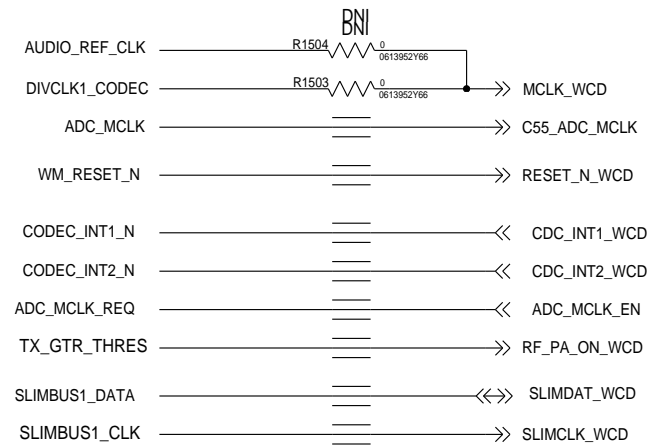
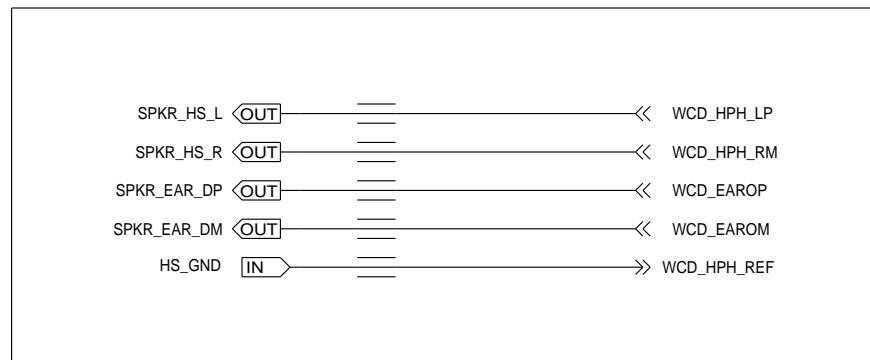
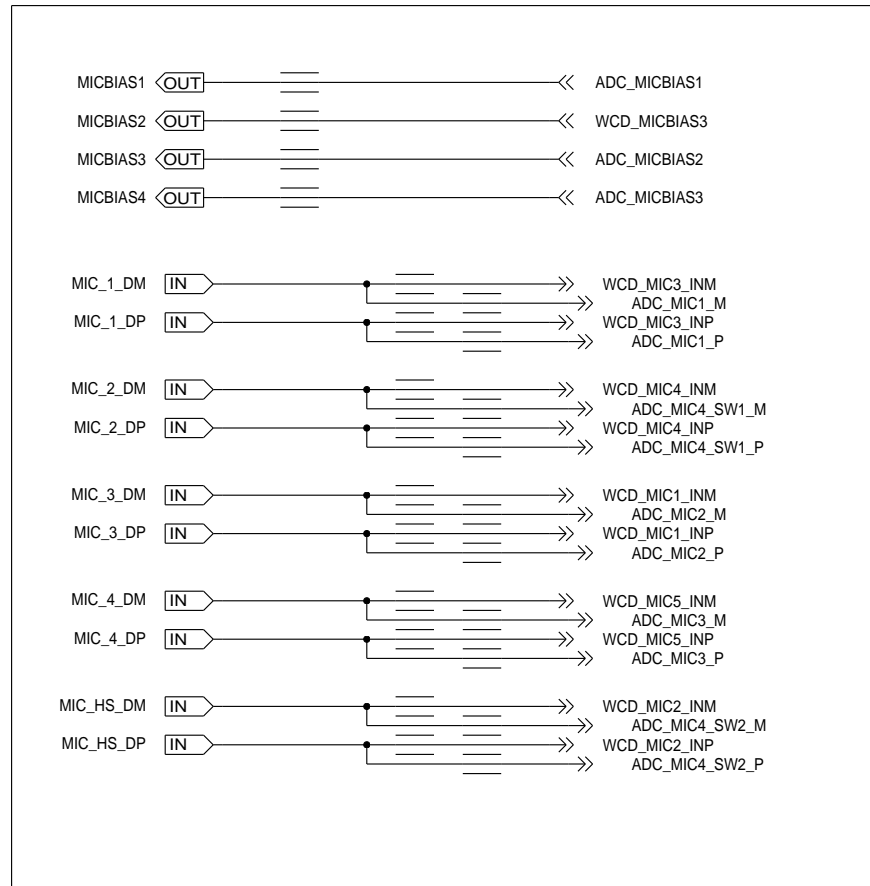
| | | | |
|---|--|---|-----------|
| APPROVALS | |  MOTOROLA MOBILE DEVICES | |
| ENGINEER: | | BLOCK TITLE: | |
| LAST MODIFIED BY: | | 84016292001_b | |
| Thu Jun 26 14:18:00 2014 | | PROJECT NAME | |
| MOTOROLA CONFIDENTIAL RESTRICTED <small>THE DRAWING ON THIS PRINT AND INFORMATION THEREWITH ARE PROPRIETARY TO MOTOROLA AND SHALL NOT BE USED OR DISCUSSED IN WHOLE OR IN PART WITHOUT MOTOROLA'S CONSENT. © COPYRIGHT, MOTOROLA. THIS DOES NOT IMPLY PUBLICATION</small> | | B 84016292001_b.cpm | REV 01 |
| CAD FILE NAME: | | PAGE 26 OF 55 | |

MSM8974 GROUND



| | | | |
|--|--|--|------------------|
| APPROVALS | | MOTOROLA MOBILE DEVICES | |
| ENGINEER: | | BLOCK TITLE: | |
| LAST MODIFIED BY: Thu Jun 26 14:18:07 2014 | | 84016292001_b | |
| MOTOROLA CONFIDENTIAL RESTRICTED <small>THE DRAWING ON THIS PRINT AND INFORMATION THEREWITH ARE PROPRIETARY TO MOTOROLA AND SHALL NOT BE USED OR DISCUSSED IN WHOLE OR IN PART WITHOUT MOTOROLA'S CONSENT. © COPYRIGHT, MOTOROLA. THIS DOES NOT IMPLY PUBLICATION</small> | | PROJECT NAME B 84016292001_b.cpm | REV 01 |
| | | CAD FILE NAME: | |
| | | PAGE 27 OF 55 | |

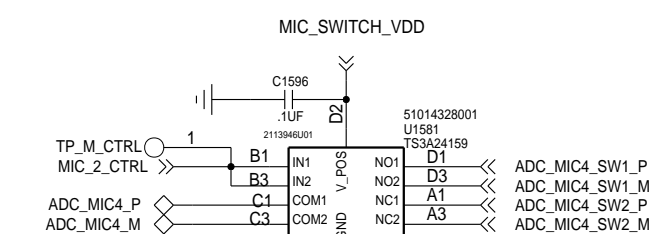
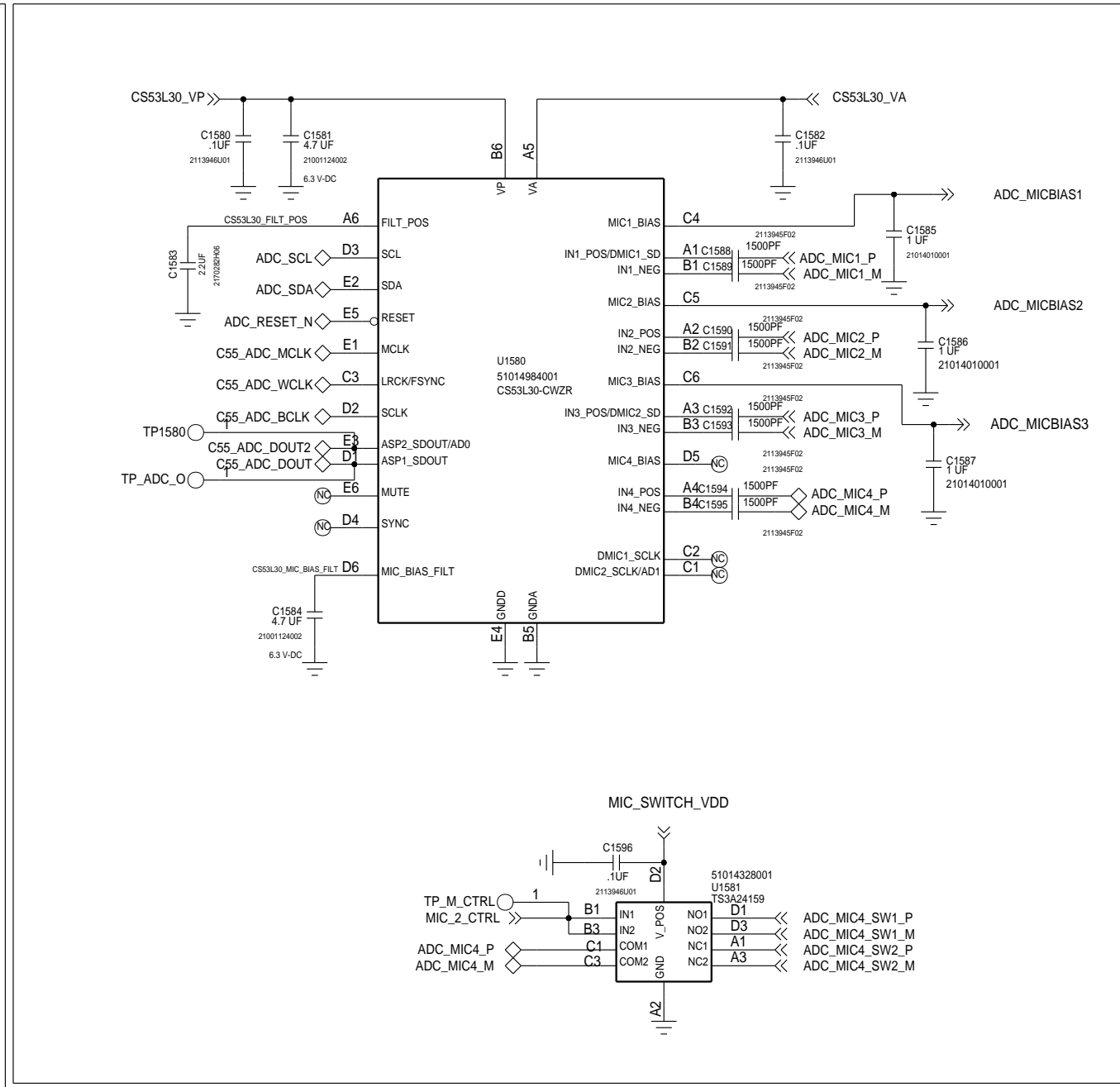
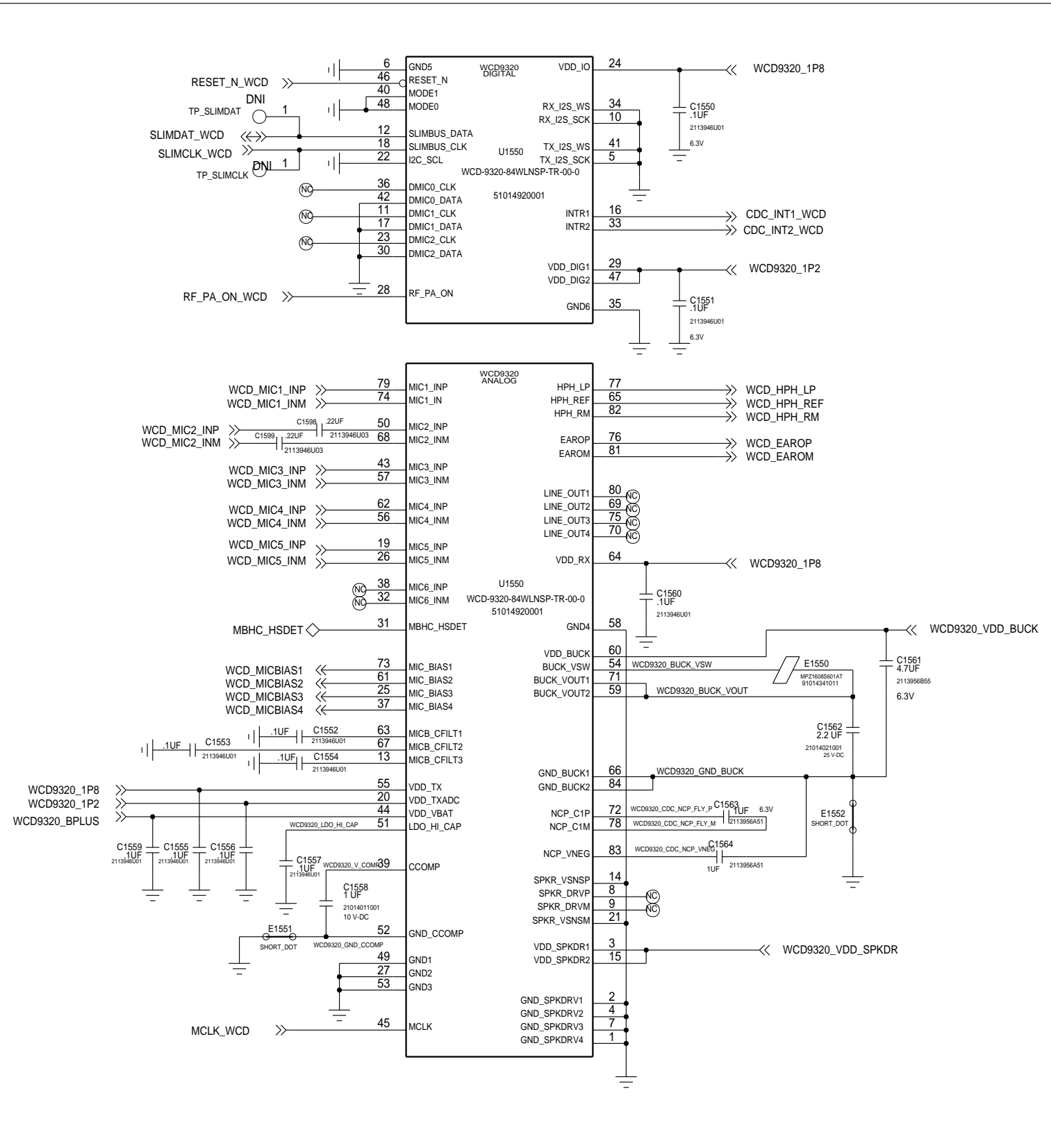
WCD9320 PORTS



| | | | |
|--|--|--|-----------|
| APPROVALS | | MOTOROLA MOBILE DEVICES | |
| ENGINEER: | | BLOCK TITLE: | |
| LAST MODIFIED BY: | | 84016292001_b | |
| MOTOROLA CONFIDENTIAL RESTRICTED <small>THE DRAWING ON THIS PRINT AND INFORMATION THEREWITH ARE PROPRIETARY TO MOTOROLA AND SHALL NOT BE USED OR DISCUSSED IN WHOLE OR IN PART WITHOUT MOTOROLA'S CONSENT. © COPYRIGHT, MOTOROLA. THIS DOES NOT IMPLY PUBLICATION</small> | | PROJECT NAME B 84016292001_b.cpm | REV 01 |
| | | CAD FILE NAME: | |
| | | PAGE 28 OF 55 | |

WCD9320

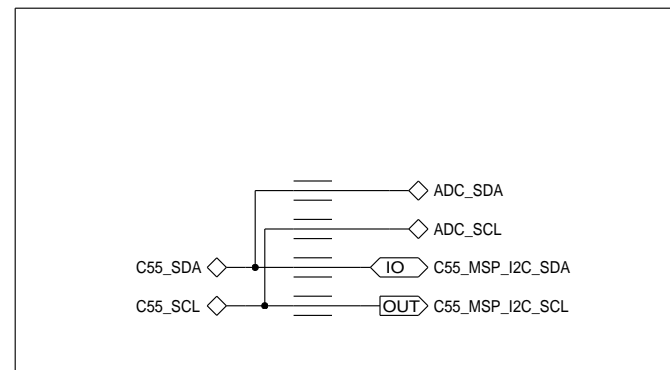
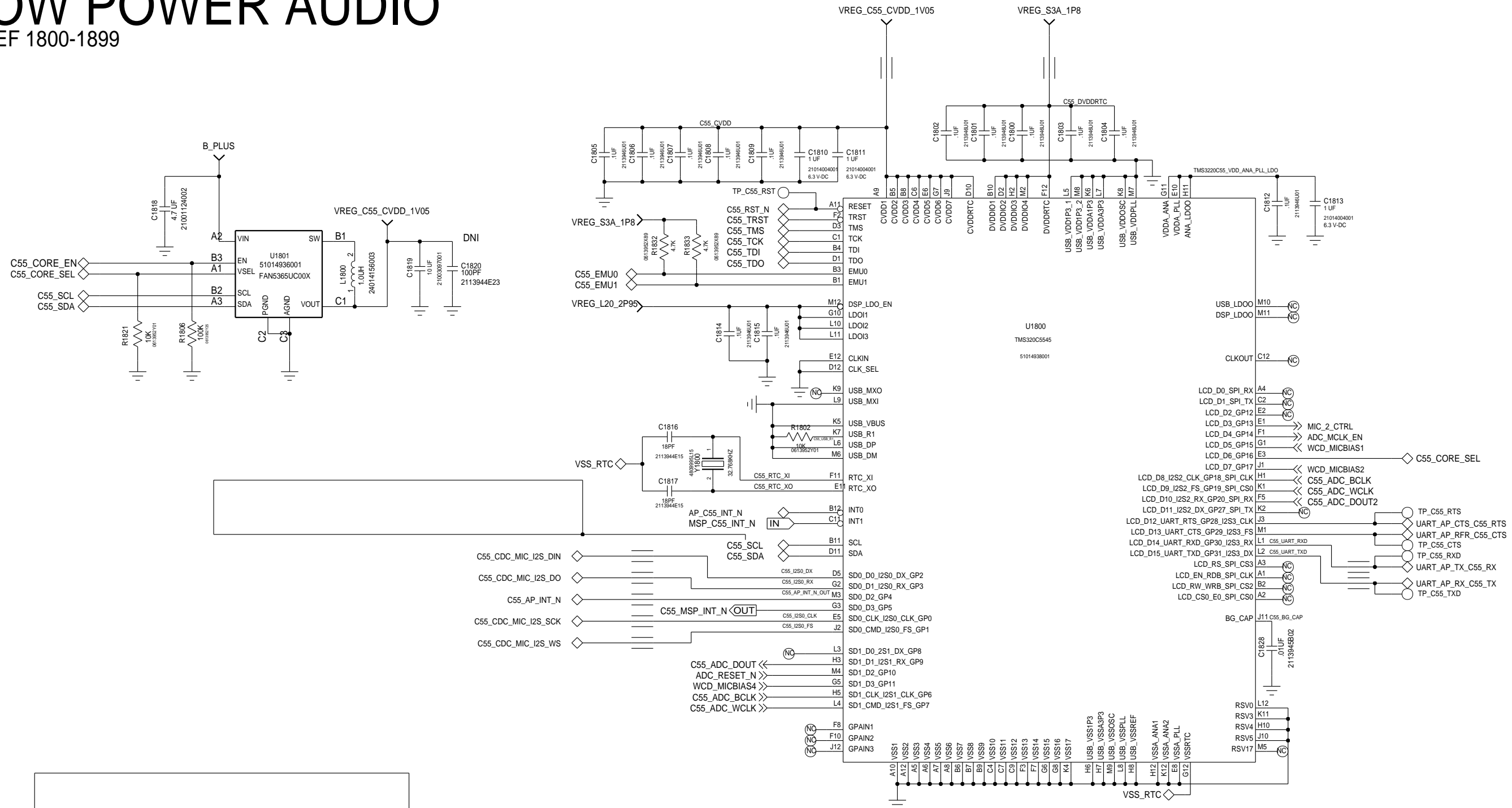
REF: 1550-1599



| | | | |
|--|--|-----------------------------------|-----|
| APPROVALS | | MOTOROLA MOBILE DEVICES | |
| ENGINEER: | | BLOCK TITLE: | |
| LAST MODIFIED BY: Thu Jun 26 14:18:19 2014 | | 84016292001_b | |
| MOTOROLA CONFIDENTIAL RESTRICTED <small>THE DRAWING ON THIS PRINT AND INFORMATION THEREWITH ARE PROPRIETARY TO MOTOROLA AND SHALL NOT BE USED OR DISCUSSED IN WHOLE OR IN PART WITHOUT MOTOROLA'S CONSENT. © COPYRIGHT, MOTOROLA. THIS DOES NOT IMPLY PUBLICATION</small> | | PROJECT NAME | REV |
| | | B 84016292001_b.cpm | 01 |
| CAD FILE NAME: | | PAGE 29 OF 55 | |

LOW POWER AUDIO

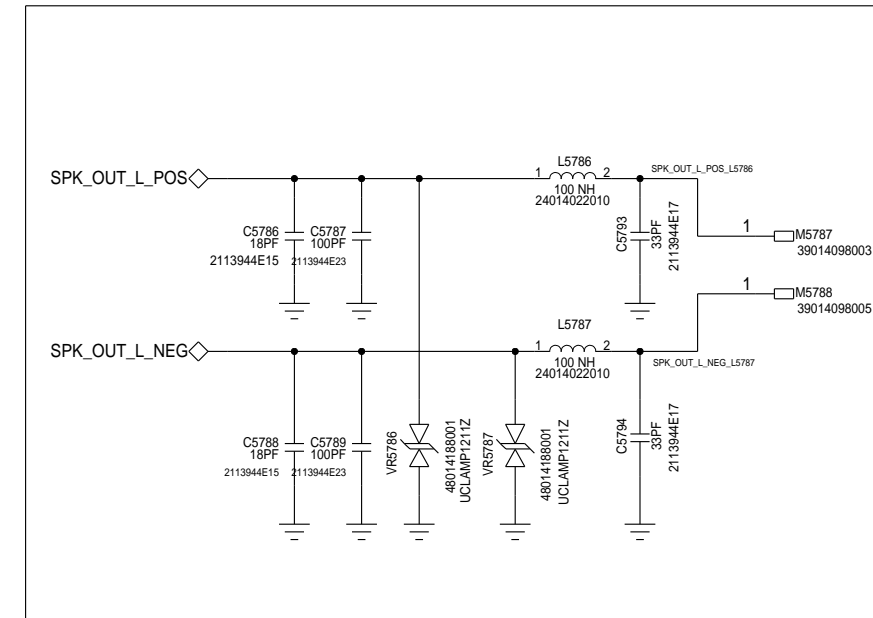
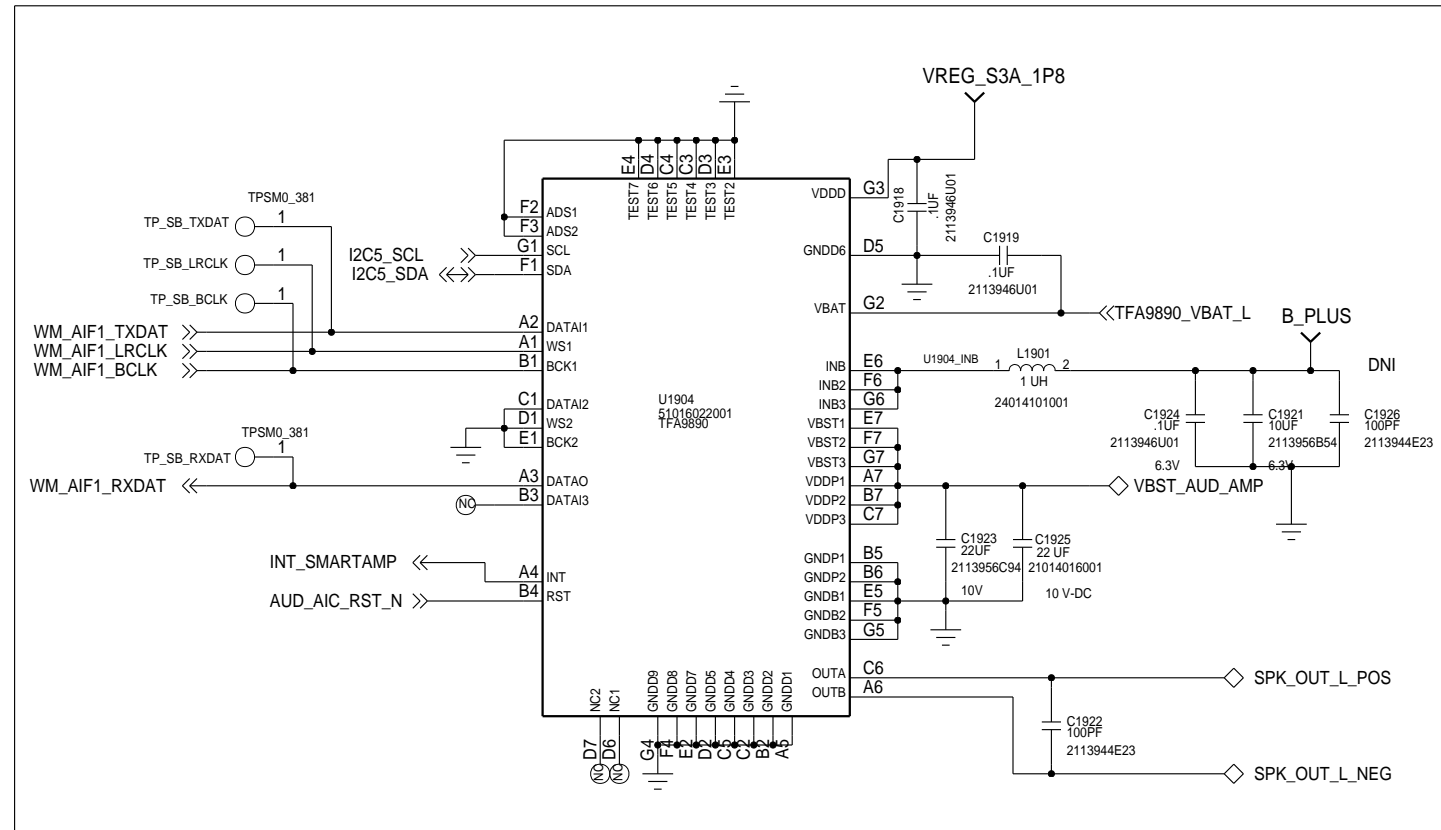
REF 1800-1899



| | | | |
|---|--|--------------------------------------|--|
| APPROVALS | | MOTOROLA MOBILE DEVICES | |
| ENGINEER: | | BLOCK TITLE: 84016292001_b | |
| LAST MODIFIED BY: Thu Jun 26 14:18:26 2014 | | | |
| MOTOROLA CONFIDENTIAL RESTRICTED | | PROJECT NAME | |
| THE DRAWING ON THIS PRINT AND INFORMATION THEREWITH ARE PROPRIETARY TO MOTOROLA AND SHALL NOT BE USED OR DISCUSSED IN WHOLE OR IN PART WITHOUT MOTOROLA'S CONSENT. | | 84016292001_b.cpm | |
| © COPYRIGHT, MOTOROLA. THIS DOES NOT IMPLY PUBLICATION | | REV 01 | |
| | | PAGE 30 OF 55 | |

LOUD SPEAKER AMPS

REF 1900-1999

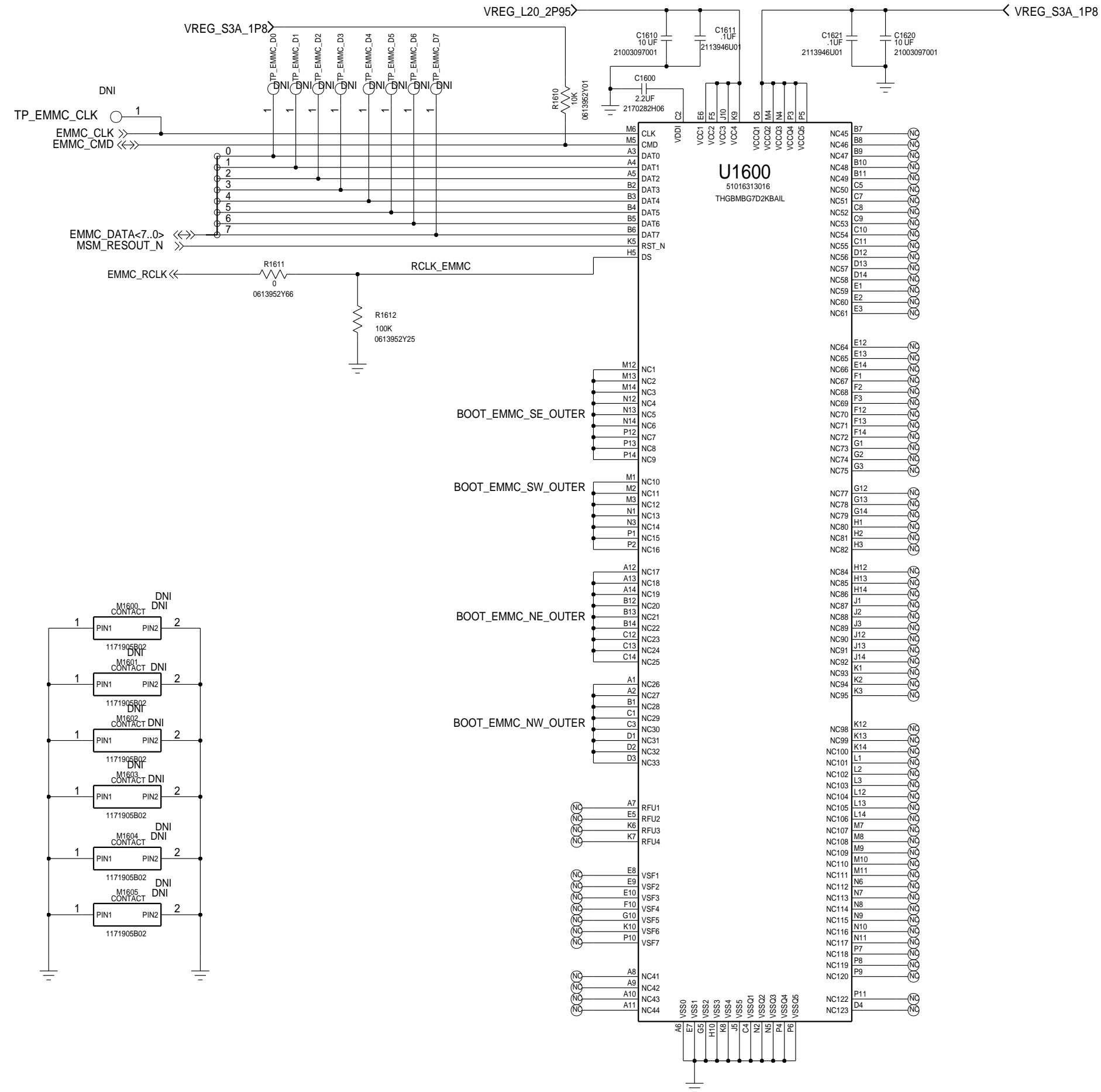


| | | | |
|--|--|--|------------------|
| APPROVALS | | MOTOROLA MOBILE DEVICES | |
| ENGINEER: | | BLOCK TITLE: | |
| LAST MODIFIED BY: Thu Jun 26 14:18:33 2014 | | 84016292001_b | |
| MOTOROLA CONFIDENTIAL RESTRICTED <small>THE DRAWING ON THIS PRINT AND INFORMATION THEREWITH ARE PROPRIETARY TO MOTOROLA AND SHALL NOT BE USED OR DISCUSSED IN WHOLE OR IN PART WITHOUT MOTOROLA'S CONSENT. © COPYRIGHT, MOTOROLA. THIS DOES NOT IMPLY PUBLICATION</small> | | PROJECT NAME B 84016292001_b.cpm | REV 01 |
| | | CAD FILE NAME: | |
| | | PAGE 31 OF 55 | |

EMMC

REF 1600-1699

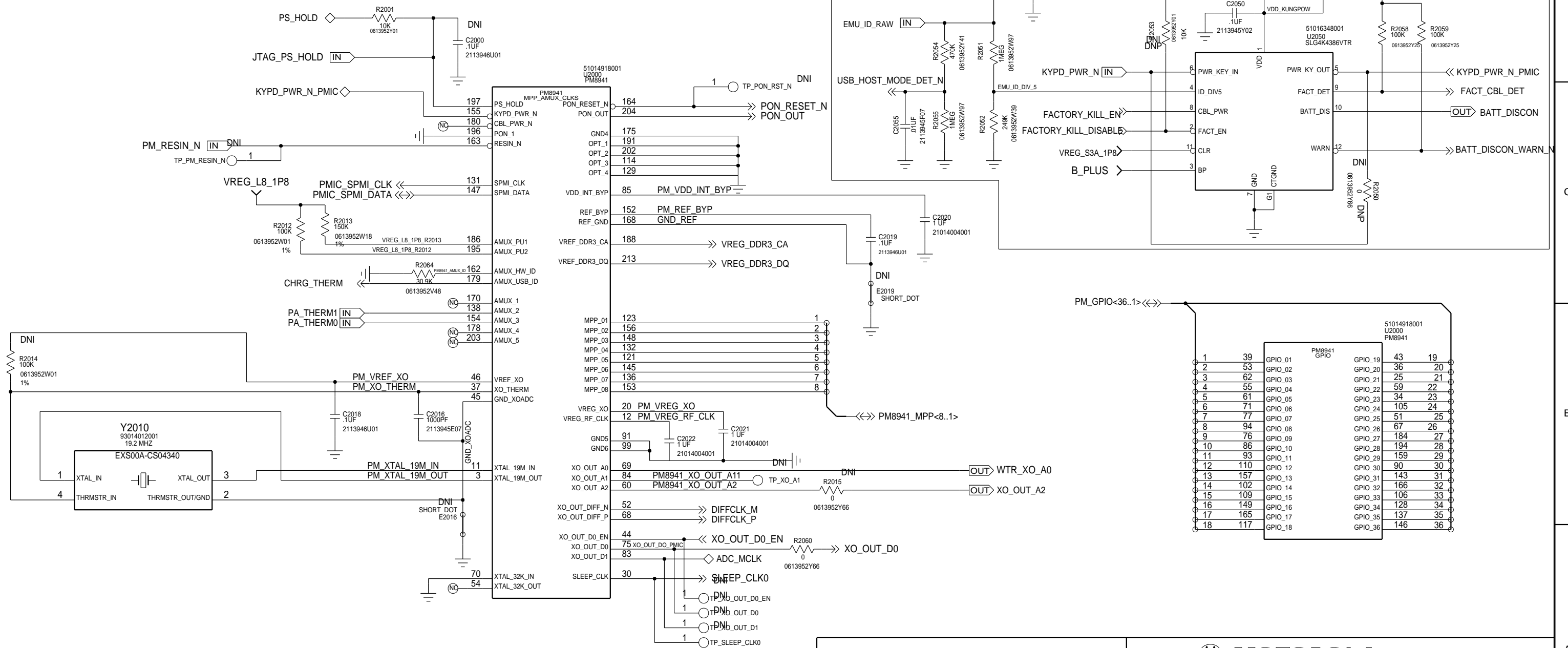
| REVISIONS | | | | |
|-----------|-----|-------------|------|-------|
| ZONE | LTR | DESCRIPTION | DATE | APPR. |
| | | | | |



| | | | |
|--|--|--------------------------------------|---------------|
| APPROVALS | | MOTOROLA MOBILE DEVICES | |
| ENGINEER: X | | BLOCK TITLE: 84016292001_b | |
| LAST MODIFIED BY: X Thu Jun 26 14:18:39 2014 | | PROJECT NAME C 84016292001_b.cpm | |
| MOTOROLA CONFIDENTIAL RESTRICTED <small>THE DRAWING ON THIS PRINT AND INFORMATION THEREWITH ARE PROPRIETARY TO MOTOROLA AND SHALL NOT BE USED OR DISCUSSED IN WHOLE OR IN PART WITHOUT MOTOROLA'S CONSENT. © COPYRIGHT, MOTOROLA, THIS DOES NOT IMPLY PUBLICATION</small> | | CAD FILE NAME: | REV 01 |
| | | | PAGE 32 of 55 |

PM8941 CTRL/CLK/MPP/GPIO

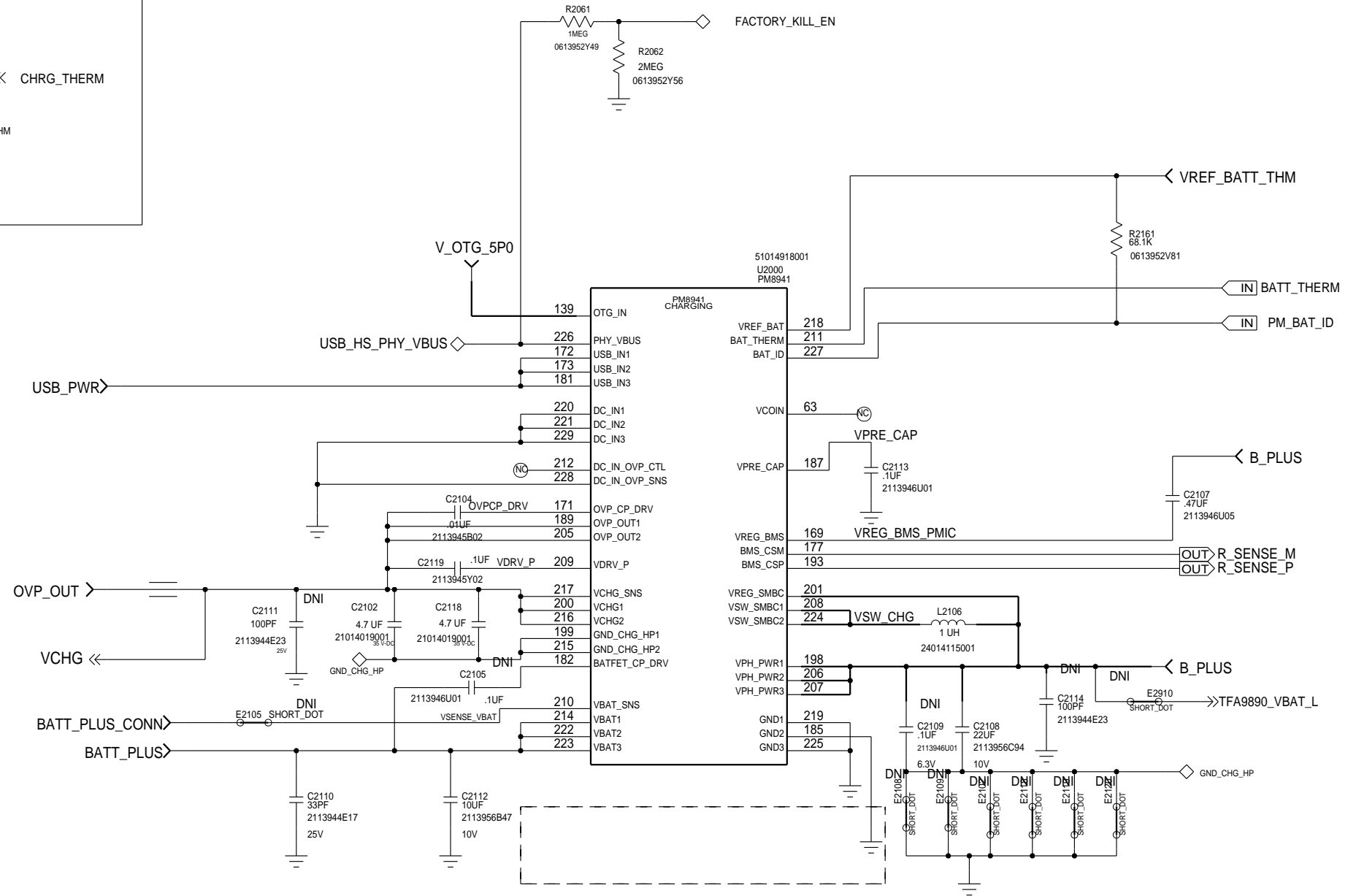
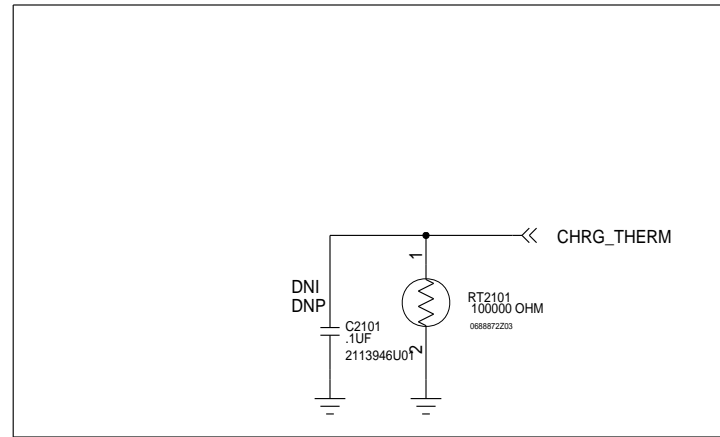
REF 2000-2099



| APPROVALS | | MOTOROLA MOBILE DEVICES | |
|--|--|--------------------------------------|---------------|
| ENGINEER: | | BLOCK TITLE: 84016292001_b | |
| LAST MODIFIED BY: Thu Jun 26 14:18:46 2014 | | | |
| MOTOROLA CONFIDENTIAL RESTRICTED | | PROJECT NAME B 84016292001_b.cpm | REV 01 |
| THE DRAWING ON THIS PRINT AND INFORMATION THEREWITH ARE PROPRIETARY TO MOTOROLA AND SHALL NOT BE USED OR DISCUSSED IN WHOLE OR IN PART WITHOUT MOTOROLA'S CONSENT. © COPYRIGHT, MOTOROLA. THIS DOES NOT IMPLY PUBLICATION | | CAD FILE NAME: | PAGE 33 OF 55 |

PM8941 CHARGING

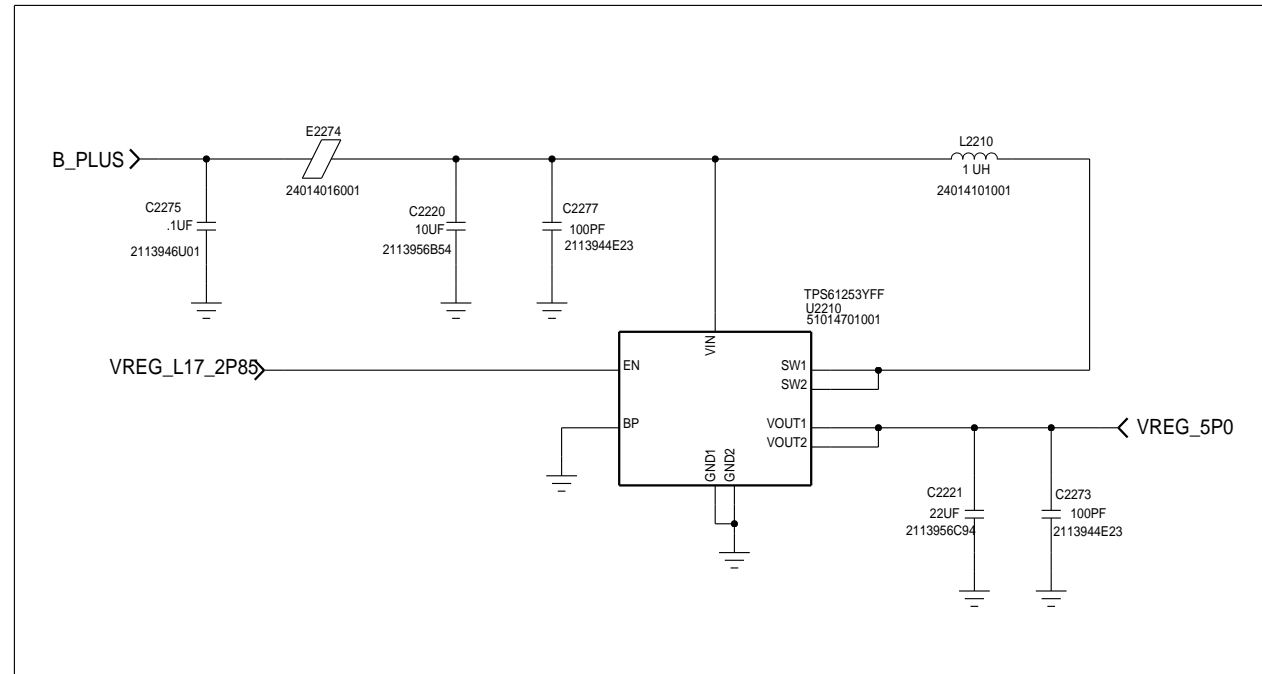
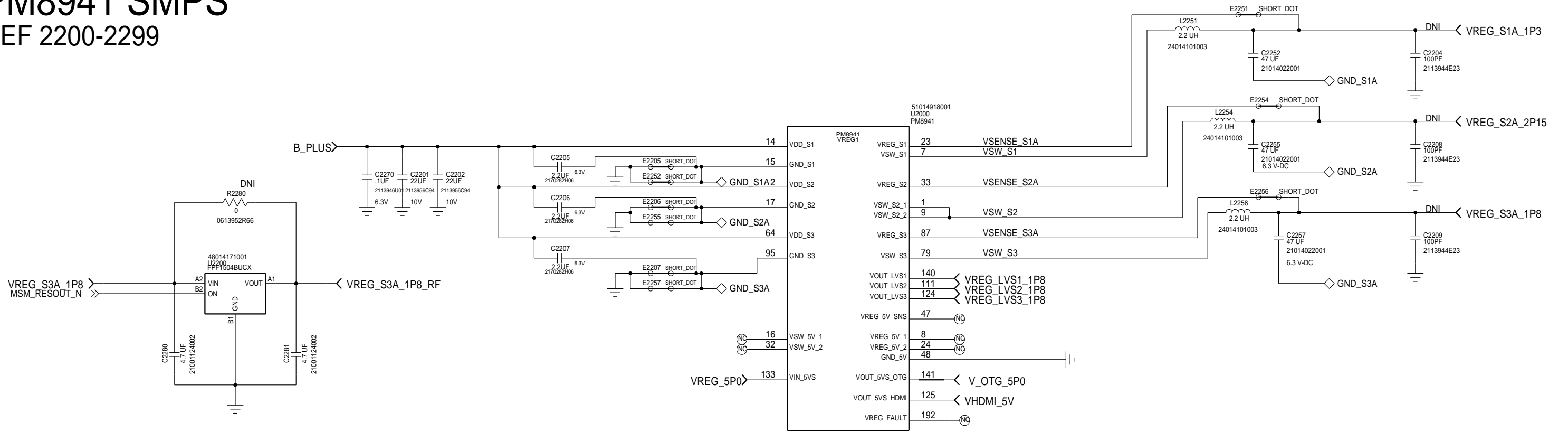
REF 2100-2199



| | | | |
|---|--|--|---------------|
| APPROVALS | | MOTOROLA MOBILE DEVICES | |
| ENGINEER: | | BLOCK TITLE: | |
| LAST MODIFIED BY: | | 84016292001_b | |
| Thu Jun 26 14:18:53 2014 | | | |
| MOTOROLA CONFIDENTIAL RESTRICTED <small>THE DRAWING ON THIS PRINT AND INFORMATION THEREWITH ARE PROPRIETARY TO MOTOROLA AND SHALL NOT BE USED OR DISCUSSED IN WHOLE OR IN PART WITHOUT MOTOROLA'S CONSENT. © COPYRIGHT, MOTOROLA. THIS DOES NOT IMPLY PUBLICATION</small> | | PROJECT NAME B 84016292001_b.cpm | REV 01 |
| | | CAD FILE NAME: | PAGE 34 OF 55 |

PM8941 SMPS

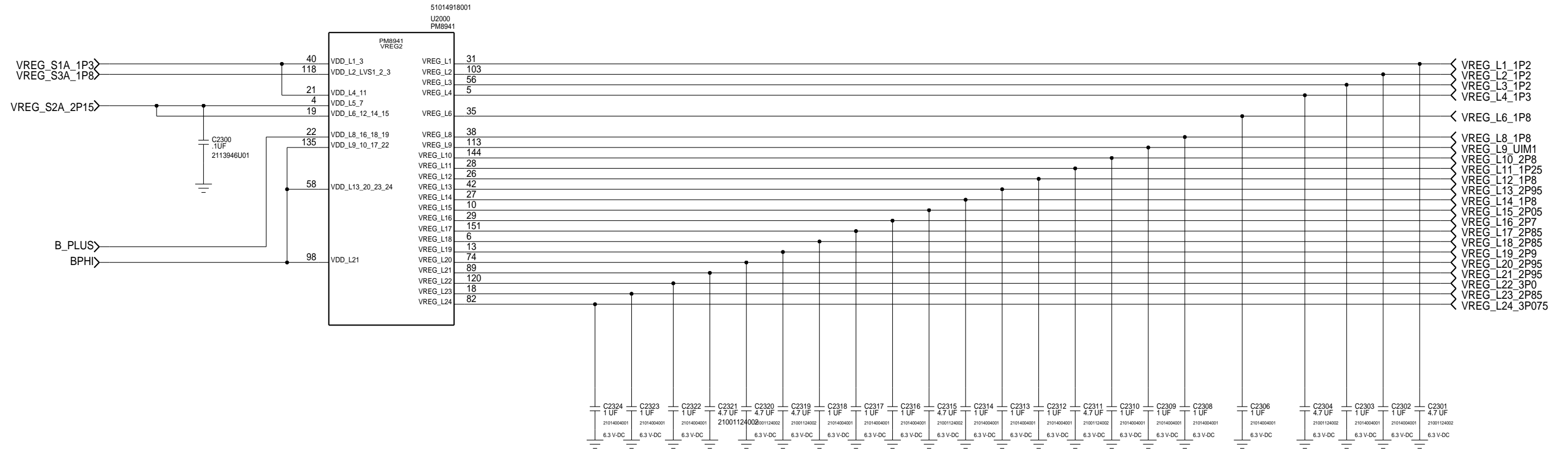
REF 2200-2299



| | | | |
|--|--|-----------------------------------|---------------|
| APPROVALS | | MOTOROLA MOBILE DEVICES | |
| ENGINEER: | | BLOCK TITLE: | |
| LAST MODIFIED BY: | | 84016292001_b | |
| Thu Jun 26 14:18:59 2014 | | | |
| MOTOROLA CONFIDENTIAL RESTRICTED | | PROJECT NAME | REV |
| THE DRAWING ON THIS PRINT AND INFORMATION THEREWITH ARE PROPRIETARY TO MOTOROLA AND SHALL NOT BE USED OR DISCUSSED IN WHOLE OR IN PART WITHOUT MOTOROLA'S CONSENT. © COPYRIGHT, MOTOROLA. THIS DOES NOT IMPLY PUBLICATION | | B 84016292001_b.cpm | 01 |
| | | CAD FILE NAME: | PAGE 35 OF 55 |

PM8941 VREGS

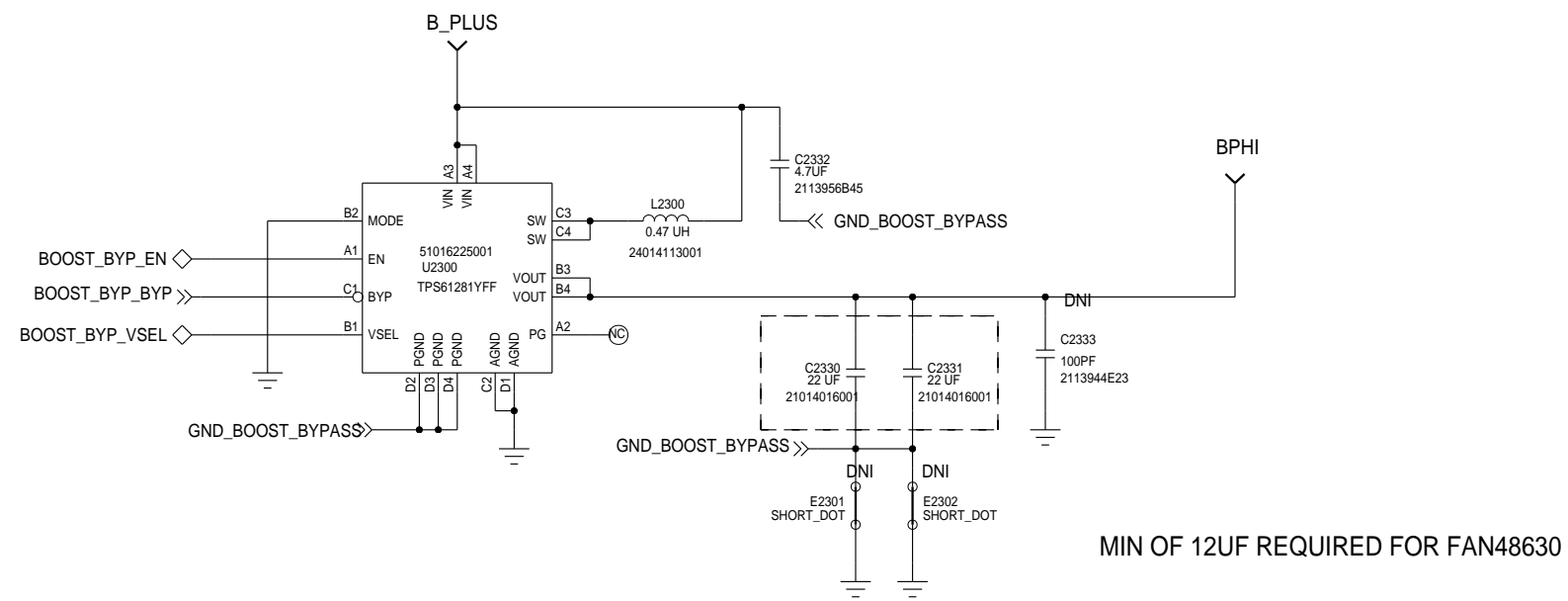
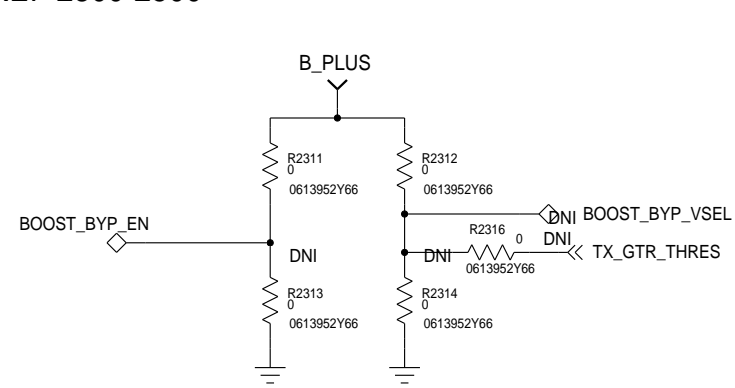
REF 2300-2349



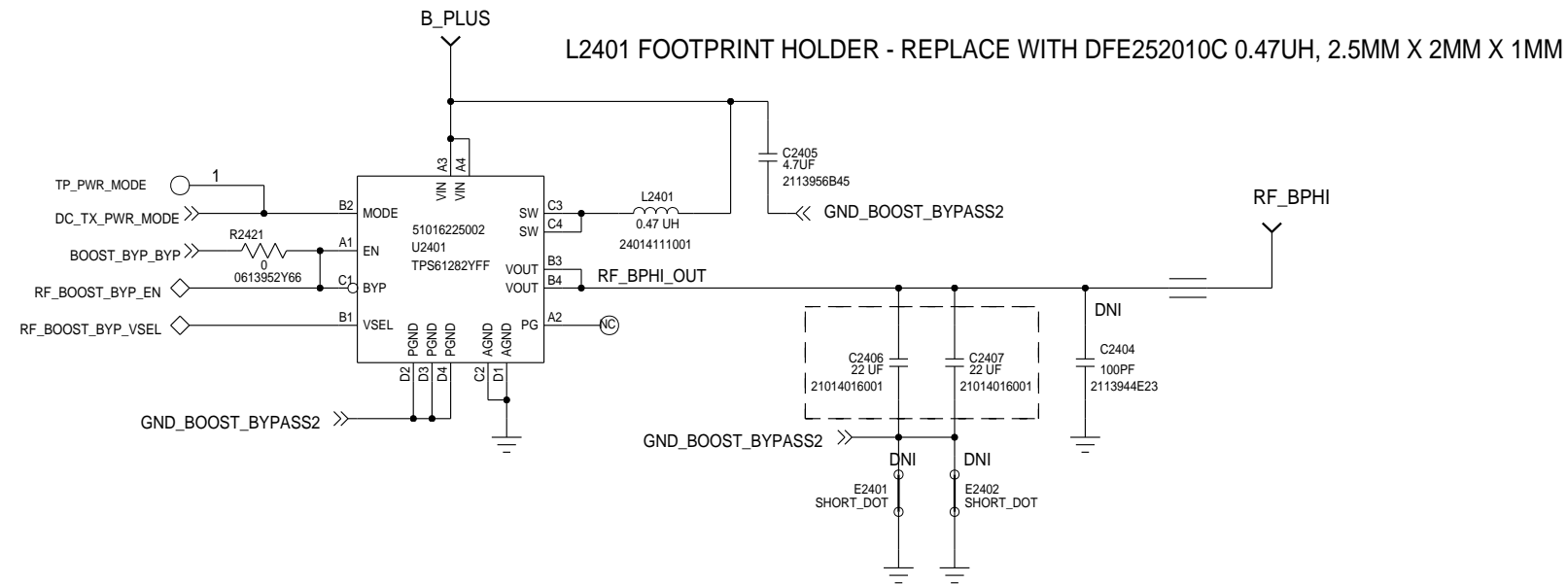
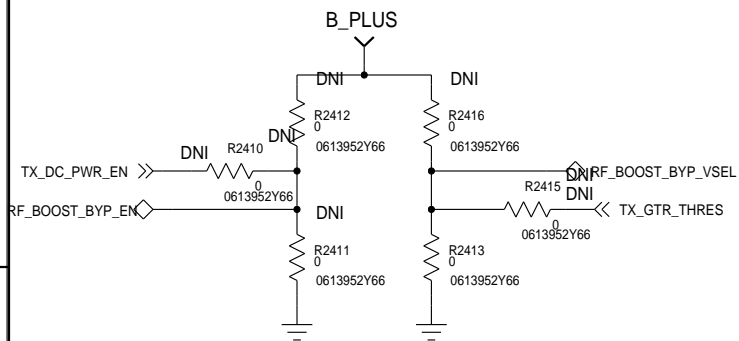
| | | | |
|--|--|--|-----------|
| APPROVALS | | MOTOROLA MOBILE DEVICES | |
| ENGINEER: | | BLOCK TITLE: | |
| LAST MODIFIED BY: Thu Jun 26 14:19:05 2014 | | 84016292001_b | |
| MOTOROLA CONFIDENTIAL RESTRICTED <small>THE DRAWING ON THIS PRINT AND INFORMATION THEREWITH ARE PROPRIETARY TO MOTOROLA AND SHALL NOT BE USED OR DISCUSSED IN WHOLE OR IN PART WITHOUT MOTOROLA'S CONSENT. © COPYRIGHT, MOTOROLA. THIS DOES NOT IMPLY PUBLICATION</small> | | PROJECT NAME B 84016292001_b.cpm | REV 01 |
| | | CAD FILE NAME: | |
| | | PAGE 36 OF 55 | |

PM8941 BPHI REGS

REF 2300-2500

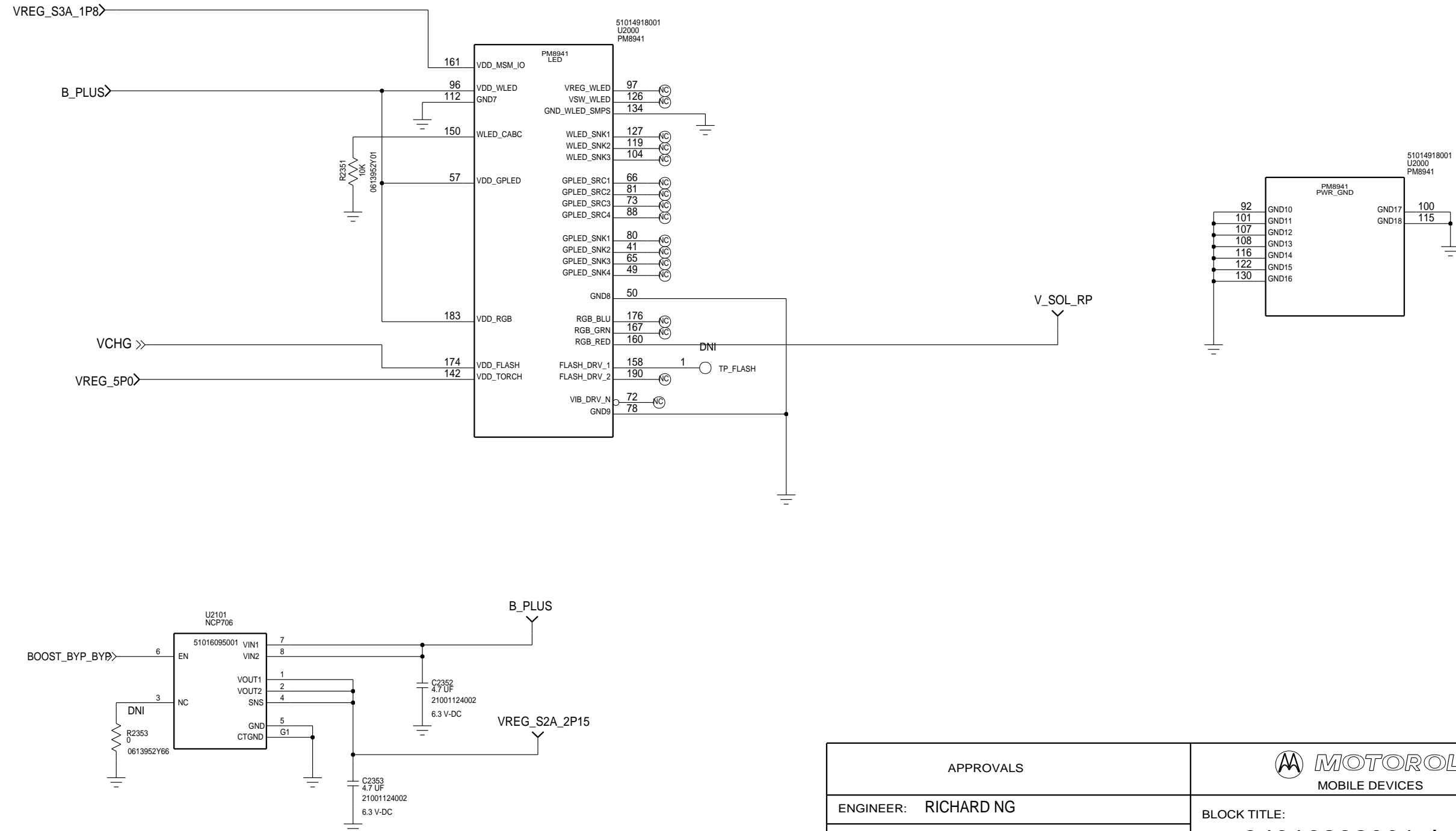


MIN OF 12UF REQUIRED FOR FAN48630



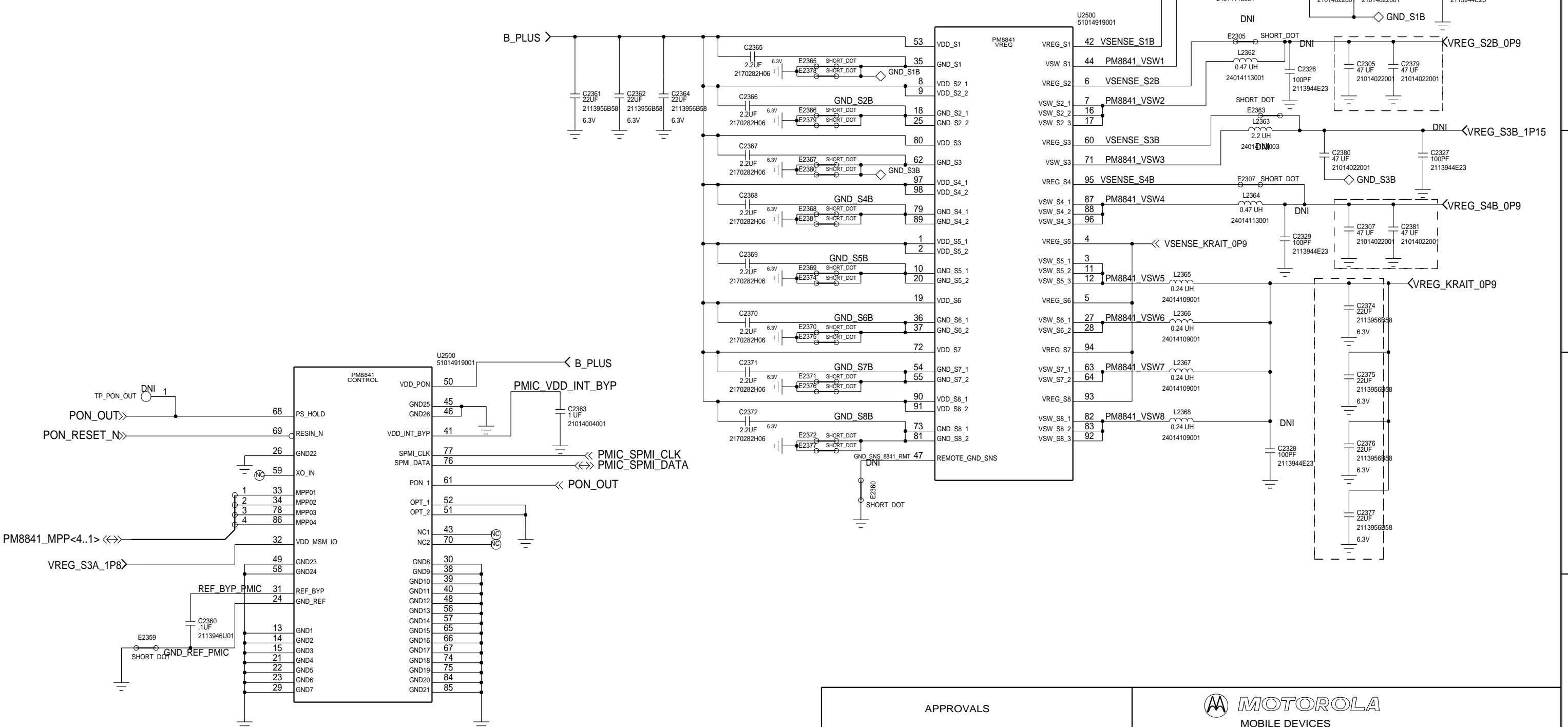
| | | | |
|---|--|---------------------------------------|-----|
| APPROVALS | | MOTOROLA MOBILE DEVICES | |
| ENGINEER: | | BLOCK TITLE: | |
| LAST MODIFIED BY: Thu Jun 26 14:19:12 2014 | | 84016292001_b | |
| MOTOROLA CONFIDENTIAL RESTRICTED <small>THE DRAWING ON THIS PRINT AND INFORMATION THEREWITH ARE PROPRIETARY TO MOTOROLA AND SHALL NOT BE USED OR DISCUSSED IN WHOLE OR IN PART WITHOUT MOTOROLA'S CONSENT. © COPYRIGHT, MOTOROLA. THIS DOES NOT IMPLY PUBLICATION</small> | | PROJECT NAME | REV |
| | | B 84016292001_b.cpm | 01 |
| CAD FILE NAME: | | PAGE 37 OF 55 | |

REF 2350-2359



| | | | |
|--|--|--|------------------|
| APPROVALS | | MOTOROLA MOBILE DEVICES | |
| ENGINEER: RICHARD NG | | BLOCK TITLE: 84016292001_b | |
| LAST MODIFIED BY: RICHARD NG Thu Jun 26 14:19:17 2014 | | | |
| MOTOROLA CONFIDENTIAL RESTRICTED <small>THE DRAWING ON THIS PRINT AND INFORMATION THEREWITH ARE PROPRIETARY TO MOTOROLA AND SHALL NOT BE USED OR DISCUSSED IN WHOLE OR IN PART WITHOUT MOTOROLA'S CONSENT. © COPYRIGHT, MOTOROLA. THIS DOES NOT IMPLY PUBLICATION</small> | | PROJECT NAME B 84016292001_b.cpm | REV 01 |
| | | CAD FILE NAME: | |
| | | PAGE 38 OF 55 | |

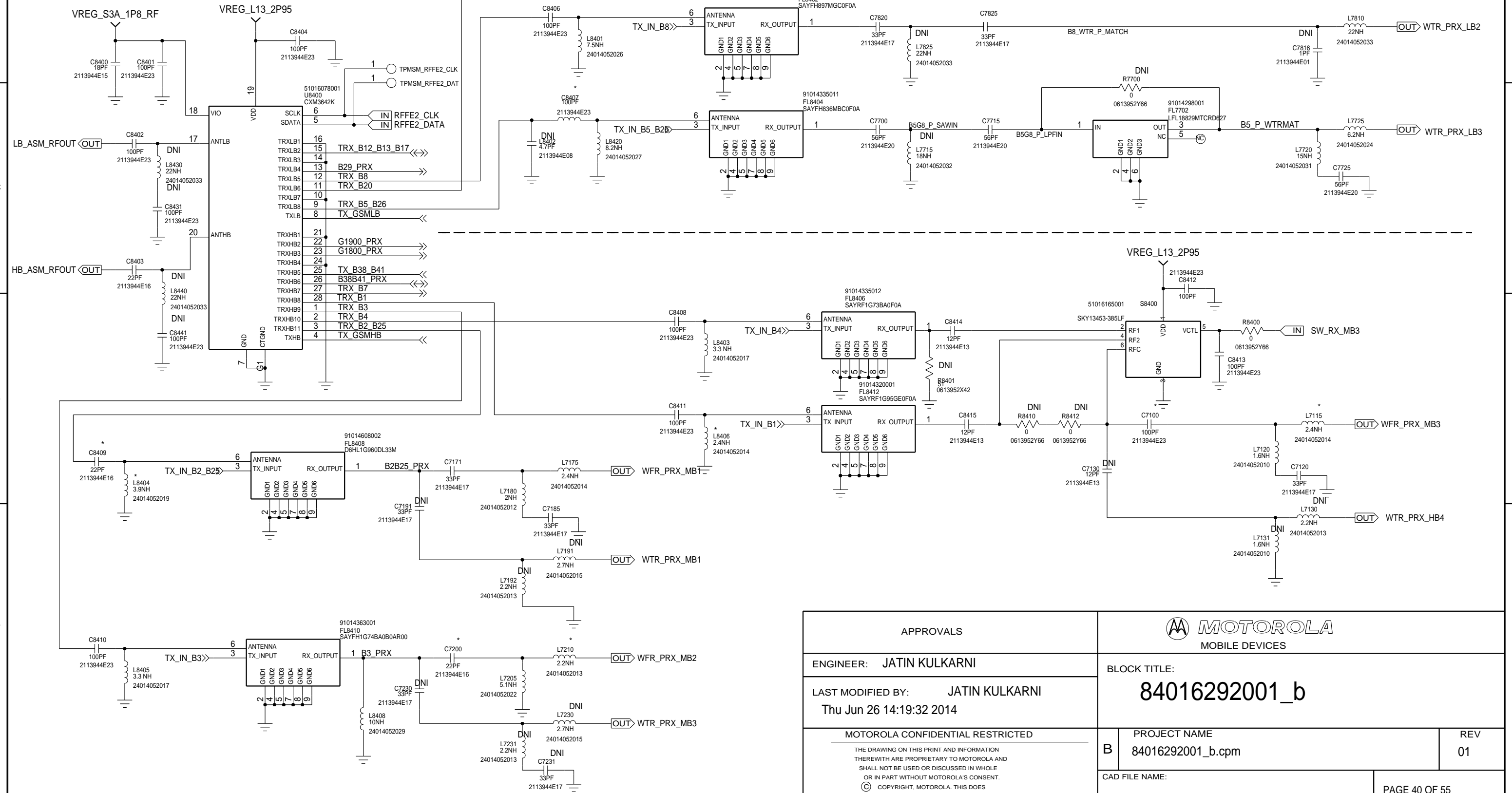
REF 2360-2399



| | | | |
|---|--|---------------------------------------|---------------|
| APPROVALS | | MOTOROLA MOBILE DEVICES | |
| ENGINEER: RICHARD NG | | BLOCK TITLE: | |
| LAST MODIFIED BY: GARY QUARTANA Thu Jun 26 14:19:23 2014 | | 84016292001_b | |
| MOTOROLA CONFIDENTIAL RESTRICTED | | PROJECT NAME | REV |
| <small>THE DRAWING ON THIS PRINT AND INFORMATION THEREWITH ARE PROPRIETARY TO MOTOROLA AND SHALL NOT BE USED OR DISCUSSED IN WHOLE OR IN PART WITHOUT MOTOROLA'S CONSENT. © COPYRIGHT, MOTOROLA. THIS DOES NOT IMPLY PUBLICATION</small> | | B 84016292001_b.cpm | 01 |
| | | CAD FILE NAME: | PAGE 39 OF 55 |

RFFE: TRX SWITCH

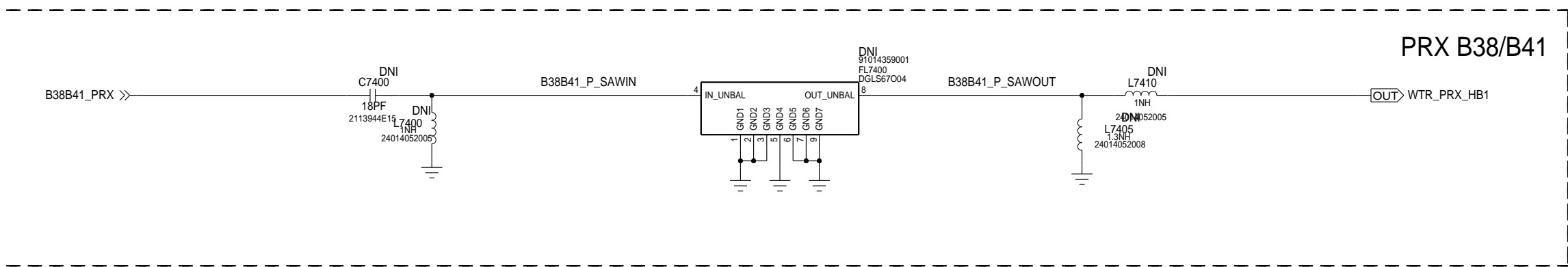
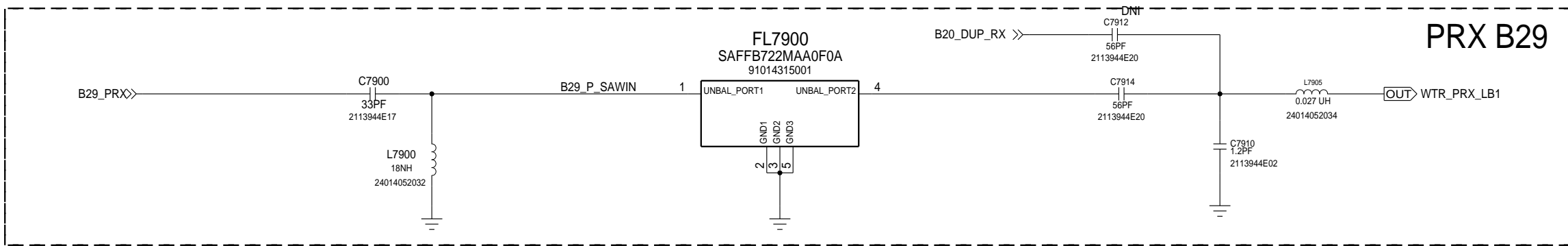
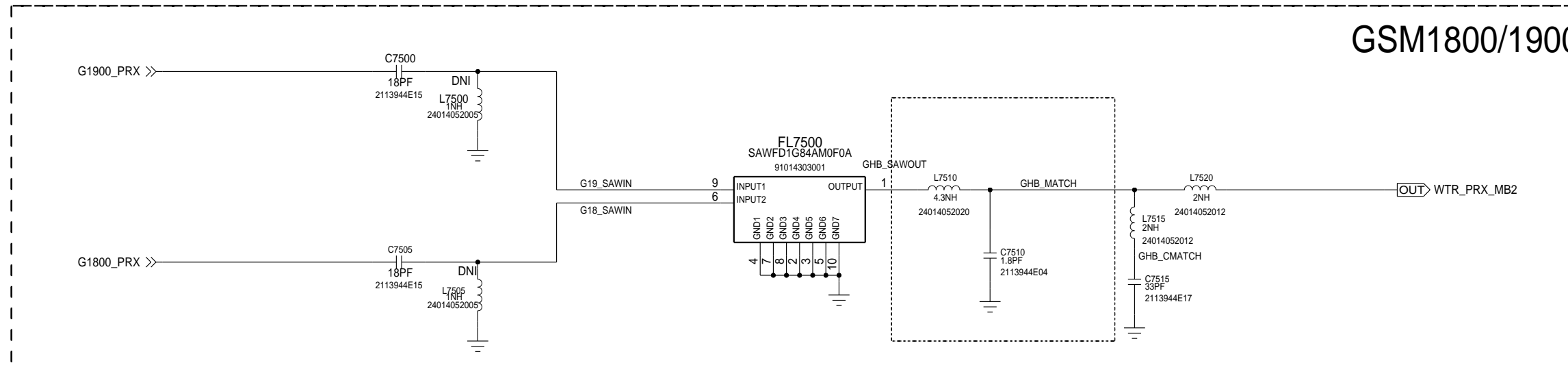
REF 7100-8499



| | | | |
|--|--|--|------------------|
| APPROVALS | | MOTOROLA MOBILE DEVICES | |
| ENGINEER: JATIN KULKARNI | | BLOCK TITLE: 84016292001_b | |
| LAST MODIFIED BY: JATIN KULKARNI Thu Jun 26 14:19:32 2014 | | | |
| MOTOROLA CONFIDENTIAL RESTRICTED <small>THE DRAWING ON THIS PRINT AND INFORMATION THEREWITH ARE PROPRIETARY TO MOTOROLA AND SHALL NOT BE USED OR DISCUSSED IN WHOLE OR IN PART WITHOUT MOTOROLA'S CONSENT. © COPYRIGHT, MOTOROLA. THIS DOES NOT IMPLY PUBLICATION</small> | | PROJECT NAME B 84016292001_b.cpm | REV 01 |
| | | CAD FILE NAME: | |
| | | PAGE 40 OF 55 | |

RFFE: PRX B29/B38/B41/GSM1800/GSM1900

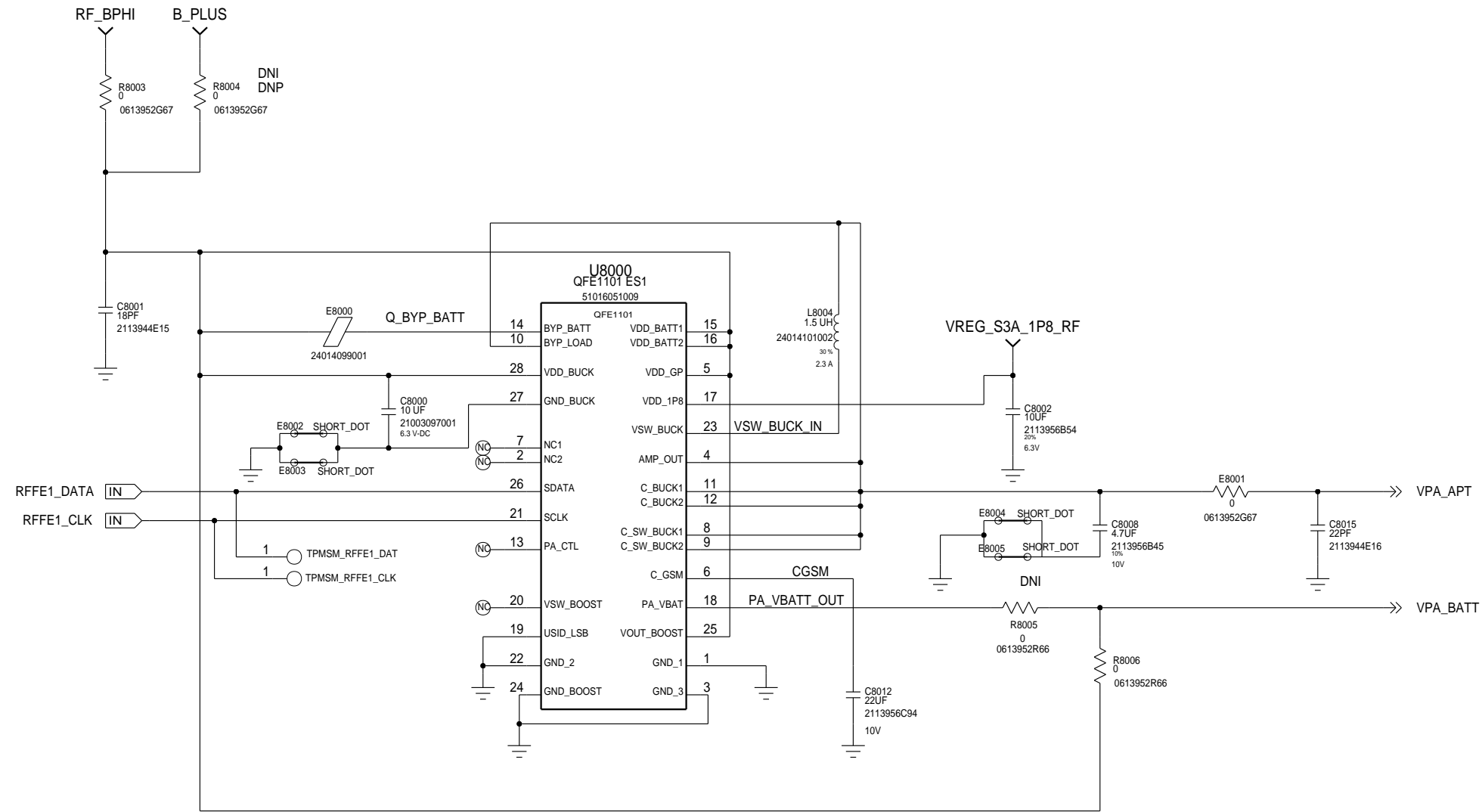
REF 7100-8499



| | | | |
|--|--|-----------------------------------|-----------|
| APPROVALS | | MOTOROLA MOBILE DEVICES | |
| ENGINEER: JATIN KULKARNI | | BLOCK TITLE: | |
| LAST MODIFIED BY: JATIN KULKARNI Thu Jun 26 14:19:39 2014 | | Block Title Block Title | |
| MOTOROLA CONFIDENTIAL RESTRICTED <small>THE DRAWING ON THIS PRINT AND INFORMATION THEREWITH ARE PROPRIETARY TO MOTOROLA AND SHALL NOT BE USED OR DISCUSSED IN WHOLE OR IN PART WITHOUT MOTOROLA'S CONSENT. © COPYRIGHT, MOTOROLA. THIS DOES NOT IMPLY PUBLICATION</small> | | PROJECT NAME B 807462001_b.cpm | REV 01 |
| | | CAD FILE NAME: | |
| | | PAGE 41 OF 55 | |

RFFE: APT/ET

REF 8000-8099



APPROVALS

ENGINEER:

LAST MODIFIED BY:
Thu Jun 26 14:19:44 2014

MOTOROLA CONFIDENTIAL RESTRICTED

THE DRAWING ON THIS PRINT AND INFORMATION
THEREWITH ARE PROPRIETARY TO MOTOROLA AND
SHALL NOT BE USED OR DISCUSSED IN WHOLE
OR IN PART WITHOUT MOTOROLA'S CONSENT.
© COPYRIGHT, MOTOROLA. THIS DOES
NOT IMPLY PUBLICATION



BLOCK TITLE:

Block 202001_b

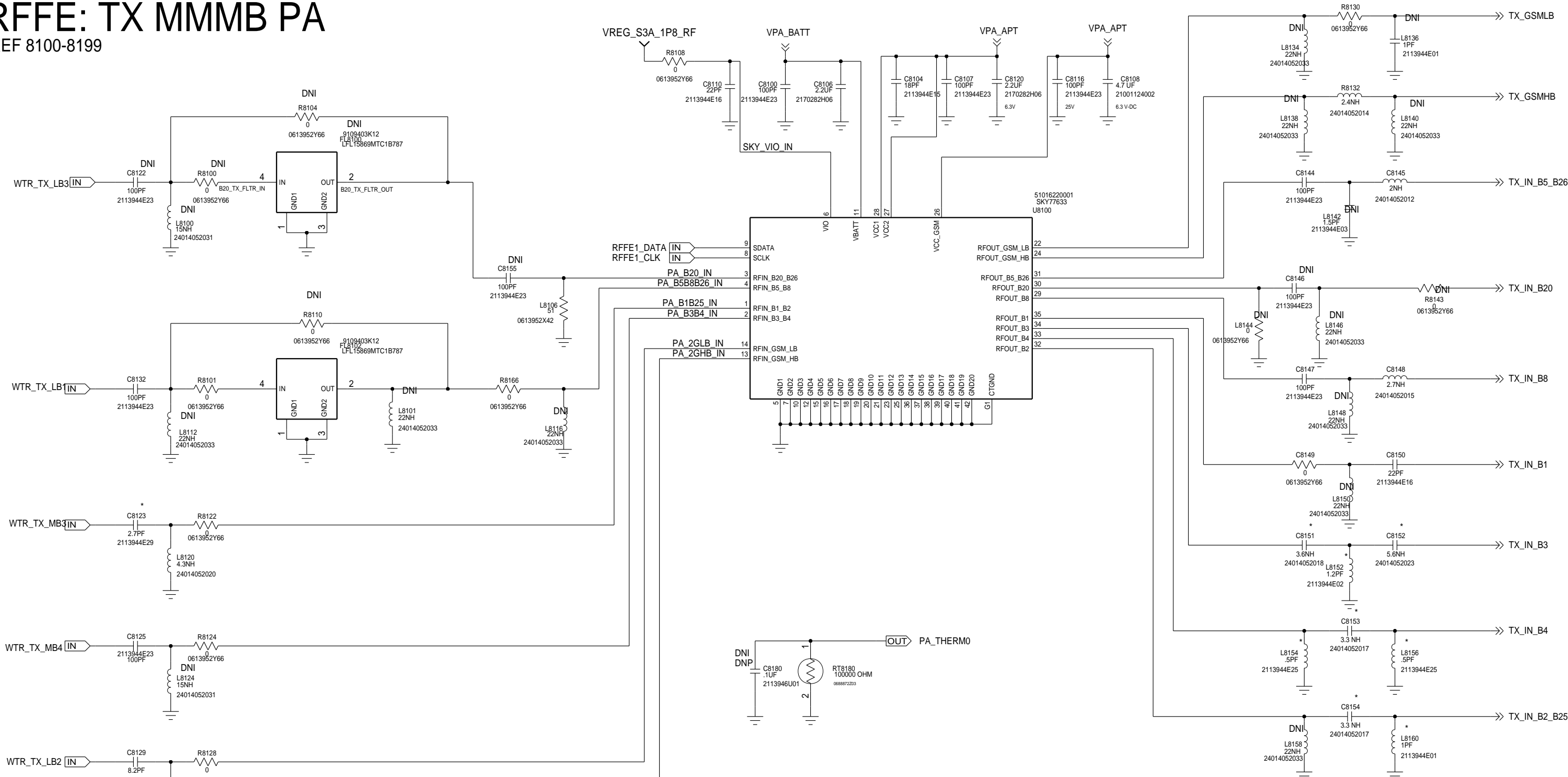
PROJECT NAME
8000-8099

CAD FILE NAME:

REV
01

RFFE: TX MMB PA

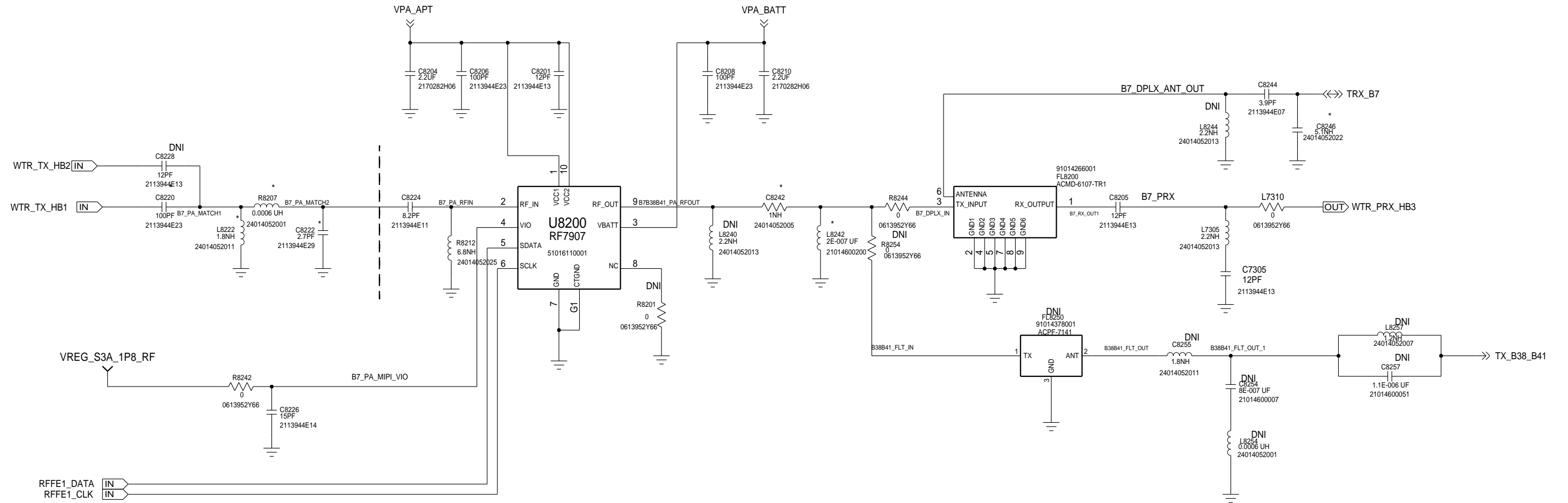
REF 8100-8199



| | | | |
|--|--|---|------------------|
| APPROVALS | | MOTOROLA MOBILE DEVICES | |
| ENGINEER: JATIN KULKARNI | | BLOCK TITLE: Block 202001_b | |
| LAST MODIFIED BY: JATIN KULKARNI Thu Jun 26 14:19:52 2014 | | PROJECT NAME: 807462001_b.cpm | |
| MOTOROLA CONFIDENTIAL RESTRICTED <small>THE DRAWING ON THIS PRINT AND INFORMATION THEREWITH ARE PROPRIETARY TO MOTOROLA AND SHALL NOT BE USED OR DISCUSSED IN WHOLE OR IN PART WITHOUT MOTOROLA'S CONSENT. © COPYRIGHT, MOTOROLA. THIS DOES NOT IMPLY PUBLICATION</small> | | CAD FILE NAME: | REV 01 |
| | | PAGE 43 OF 55 | |

RFFE: TX B7/B38/B41

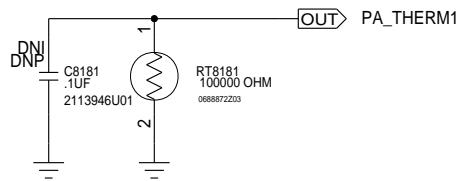
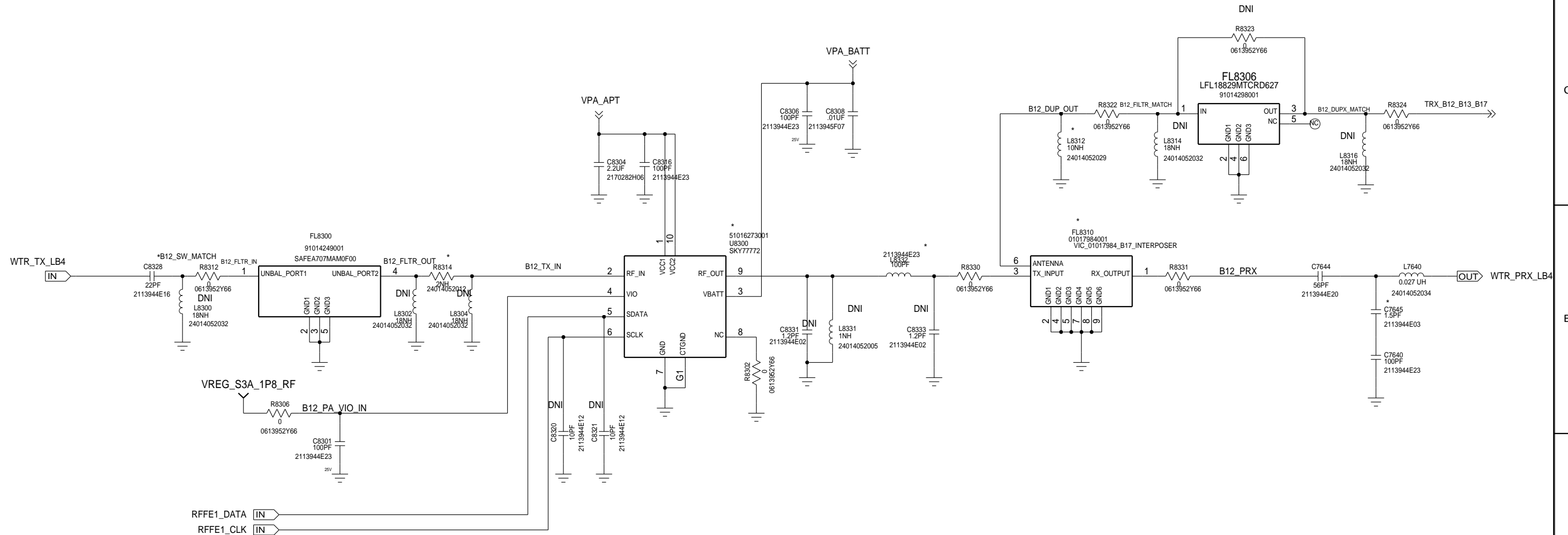
REF 7100-8299



| | | | |
|--|--|-----------------------------------|-----|
| APPROVALS | | MOTOROLA MOBILE DEVICES | |
| ENGINEER: | | BLOCK TITLE: | |
| LAST MODIFIED BY: Thu Jun 26 14:19:59 2014 | | Block 202001_b | |
| MOTOROLA CONFIDENTIAL RESTRICTED <small>THE DRAWING ON THIS PRINT AND INFORMATION THEREWITH ARE PROPRIETARY TO MOTOROLA AND SHALL NOT BE USED OR DISCUSSED IN WHOLE OR IN PART WITHOUT MOTOROLA'S CONSENT. © COPYRIGHT, MOTOROLA. THIS DOES NOT IMPLY PUBLICATION</small> | | PROJECT NAME | REV |
| | | B 80746292 | 01 |
| CAD FILE NAME: | | PAGE 44 OF 55 | |

RFFE: TX B12/B17/B13

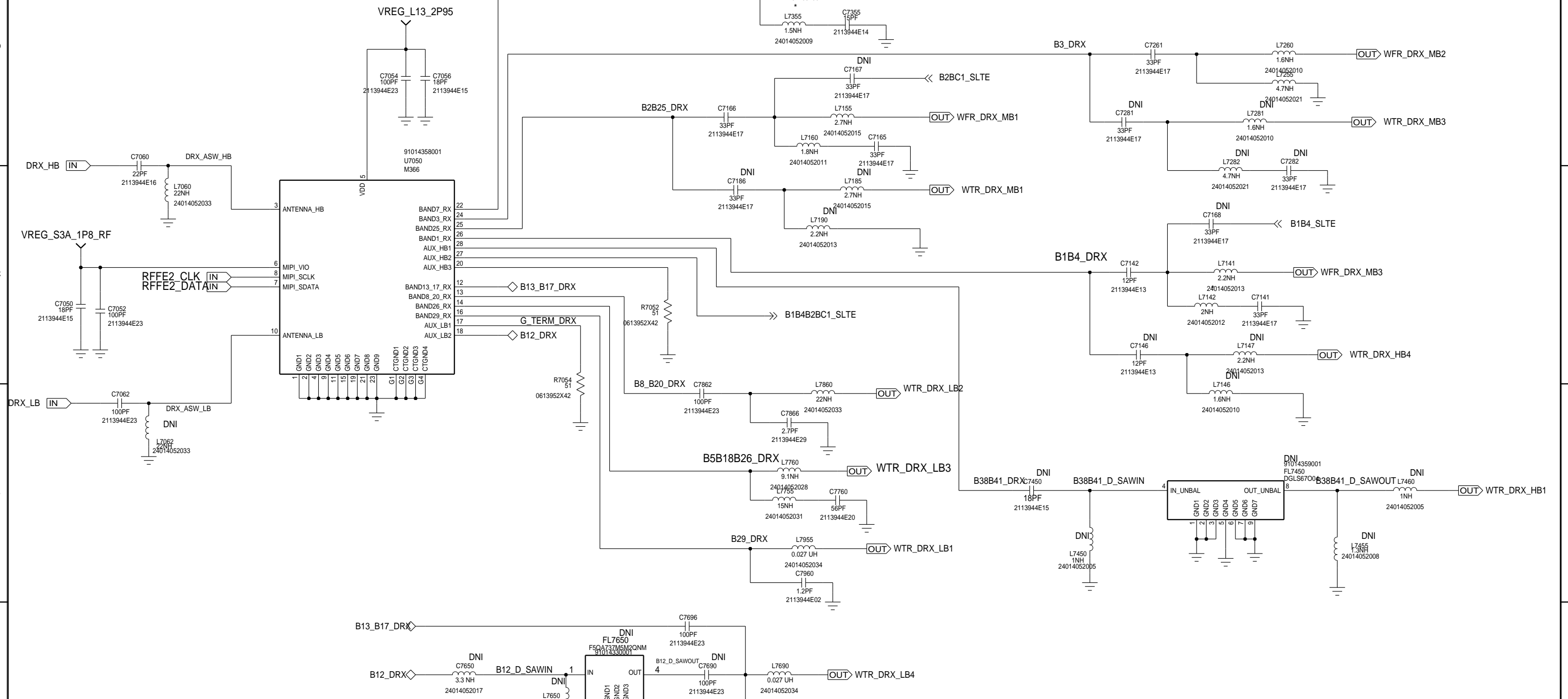
REF 7600-8399



| | | | |
|---|--|--|--|
| APPROVALS | | MOTOROLA MOBILE DEVICES | |
| ENGINEER: | | BLOCK TITLE: Block 202001_b | |
| LAST MODIFIED BY: Thu Jun 26 14:20:07 2014 | | PROJECT NAME 807462001_b.cpm | |
| MOTOROLA CONFIDENTIAL RESTRICTED <small>THE DRAWING ON THIS PRINT AND INFORMATION THEREWITH ARE PROPRIETARY TO MOTOROLA AND SHALL NOT BE USED OR DISCUSSED IN WHOLE OR IN PART WITHOUT MOTOROLA'S CONSENT. © COPYRIGHT, MOTOROLA. THIS DOES NOT IMPLY PUBLICATION</small> | | REV 01 | |
| | | CAD FILE NAME: | |
| | | PAGE 45 OF 55 | |

RFFE: DRX ANTENNA SWITCH

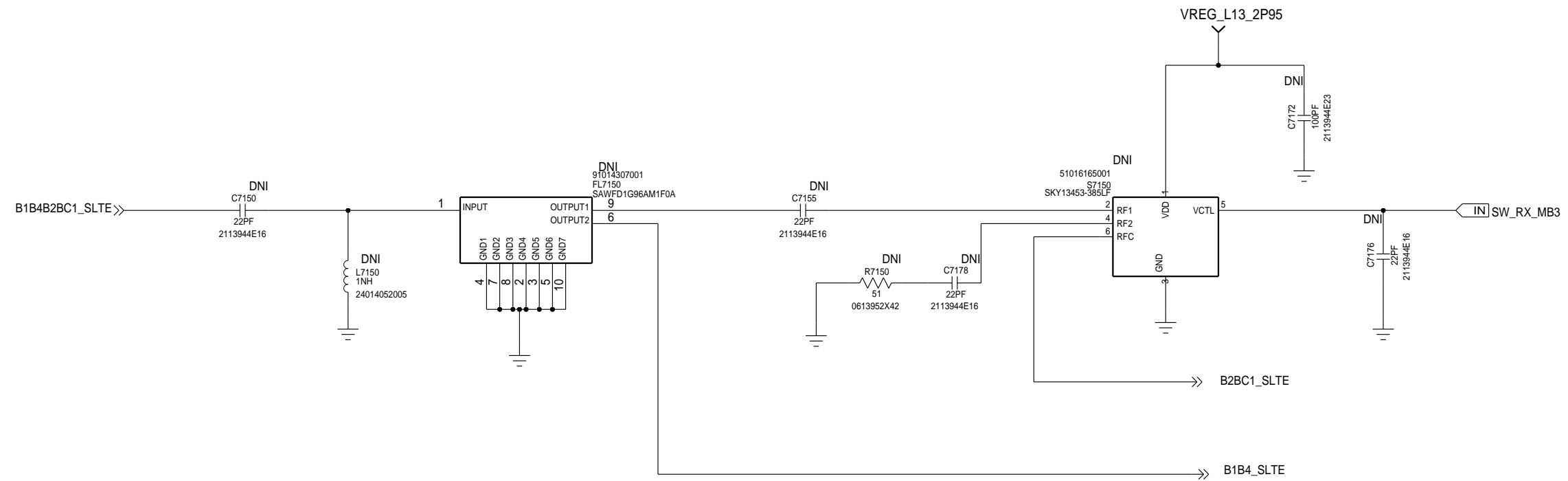
REF 7100-8499



| | | | |
|--|--|--|--|
| APPROVALS | | MOTOROLA MOBILE DEVICES | |
| ENGINEER: JATIN KULKARNI | | BLOCK TITLE: Block 292001_b | |
| LAST MODIFIED BY: JATIN KULKARNI Thu Jun 26 14:20:14 2014 | | PROJECT NAME: 84016292001_b.cpm 8974.cpm | |
| MOTOROLA CONFIDENTIAL RESTRICTED <small>THE DRAWING ON THIS PRINT AND INFORMATION THEREWITH ARE PROPRIETARY TO MOTOROLA AND SHALL NOT BE USED OR DISCUSSED IN WHOLE OR IN PART WITHOUT MOTOROLA'S CONSENT. © COPYRIGHT, MOTOROLA. THIS DOES NOT IMPLY PUBLICATION</small> | | REV 01 | |
| | | PAGE 46 OF 55 | |

RFFE: SLTE B2/BC1/B1/B4

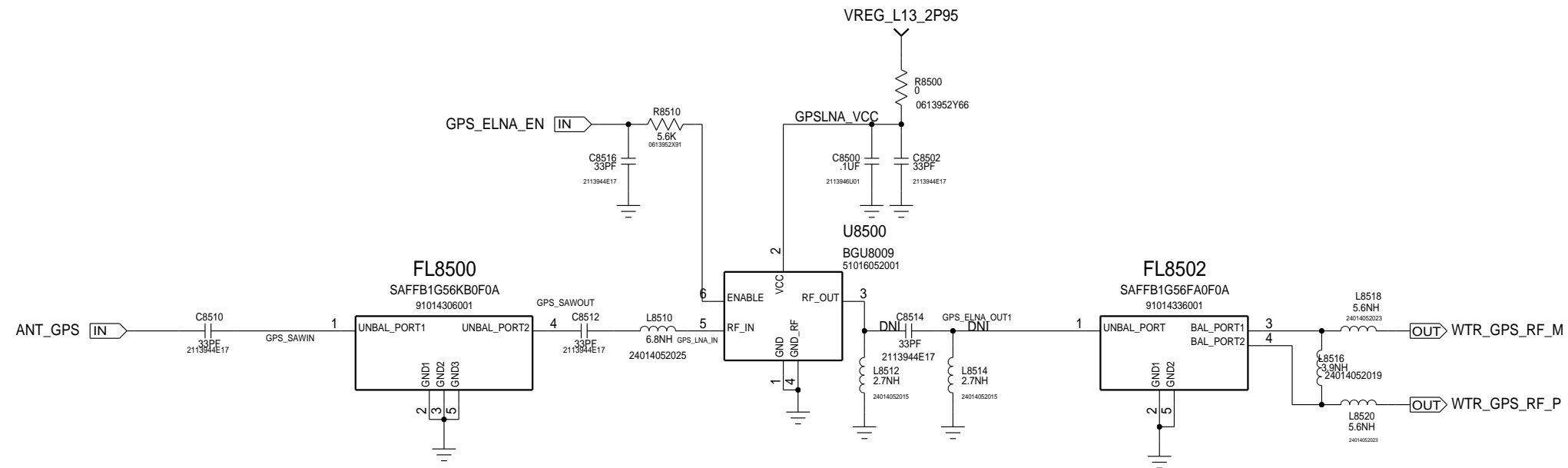
REF : 7100-8499



| | | | |
|---|--|--|-----|
| APPROVALS | | MOTOROLA MOBILE DEVICES | |
| ENGINEER: | | BLOCK TITLE: | |
| LAST MODIFIED BY: Thu Jun 26 14:20:20 2014 | | Block 2012001_b Block 2012001_b | |
| MOTOROLA CONFIDENTIAL RESTRICTED <small>THE DRAWING ON THIS PRINT AND INFORMATION THEREWITH ARE PROPRIETARY TO MOTOROLA AND SHALL NOT BE USED OR DISCUSSED IN WHOLE OR IN PART WITHOUT MOTOROLA'S CONSENT. © COPYRIGHT, MOTOROLA. THIS DOES NOT IMPLY PUBLICATION</small> | | PROJECT NAME | REV |
| | | B 807462001_b.cpm | 01 |
| | | CAD FILE NAME: | |
| | | PAGE 47 OF 55 | |

RFFE: GPS

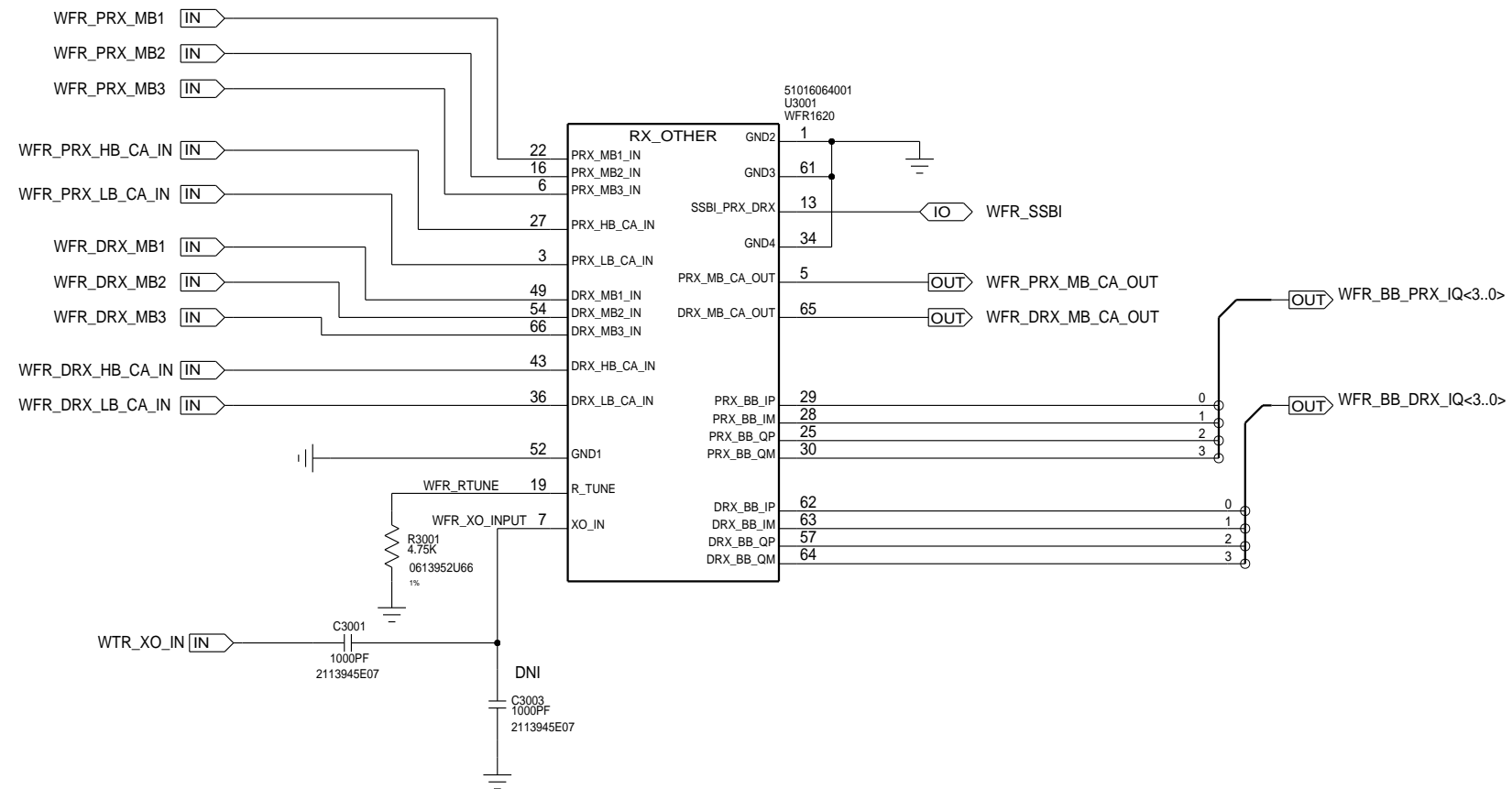
REF : 8500-8549



| | | | |
|---|--|-----------------------------------|-----------|
| APPROVALS | | MOTOROLA MOBILE DEVICES | |
| ENGINEER: | | BLOCK TITLE: | |
| LAST MODIFIED BY: Thu Jun 26 14:20:26 2014 | | Block 2012001_b | |
| MOTOROLA CONFIDENTIAL RESTRICTED <small>THE DRAWING ON THIS PRINT AND INFORMATION THEREWITH ARE PROPRIETARY TO MOTOROLA AND SHALL NOT BE USED OR DISCUSSED IN WHOLE OR IN PART WITHOUT MOTOROLA'S CONSENT. © COPYRIGHT, MOTOROLA. THIS DOES NOT IMPLY PUBLICATION</small> | | PROJECT NAME B 807462001_b.cpm | REV 01 |
| | | CAD FILE NAME: | |
| | | PAGE 48 OF 55 | |

WFR1620: BB RF

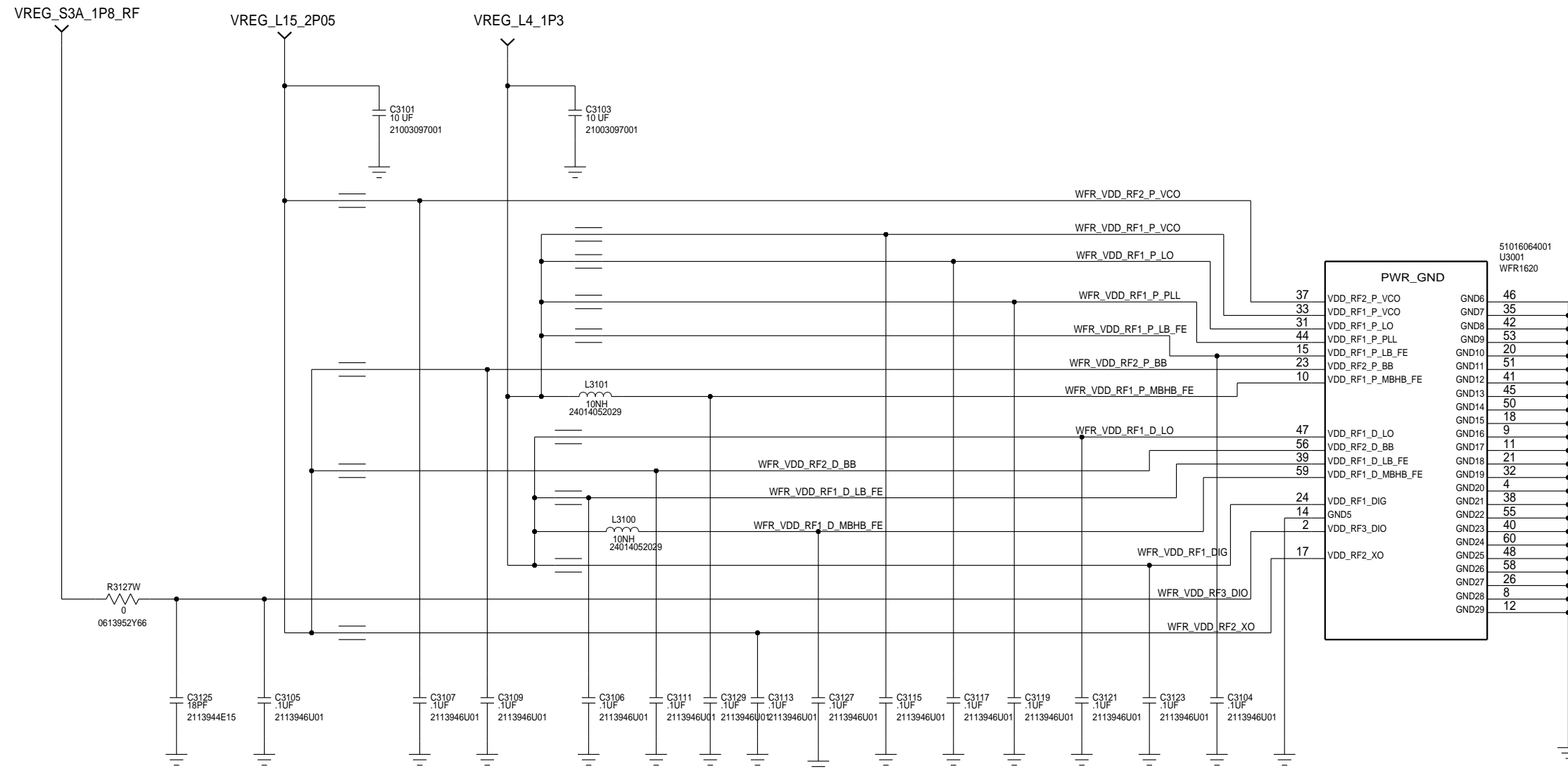
REF 3000-3099




| | | | |
|---|--|-------------------------------------|-----------|
| APPROVALS | | MOTOROLA MOBILE DEVICES | |
| ENGINEER: | | BLOCK TITLE: | |
| LAST MODIFIED BY: Thu Jun 26 14:20:32 2014 | | 84016292001_b | |
| MOTOROLA CONFIDENTIAL RESTRICTED <small>THE DRAWING ON THIS PRINT AND INFORMATION THEREWITH ARE PROPRIETARY TO MOTOROLA AND SHALL NOT BE USED OR DISCUSSED IN WHOLE OR IN PART WITHOUT MOTOROLA'S CONSENT. © COPYRIGHT, MOTOROLA. THIS DOES NOT IMPLY PUBLICATION</small> | | PROJECT NAME B 84016292001_b.cpm | REV 01 |
| | | CAD FILE NAME: | |
| | | PAGE 49 OF 55 | |

WFR1620: POWER

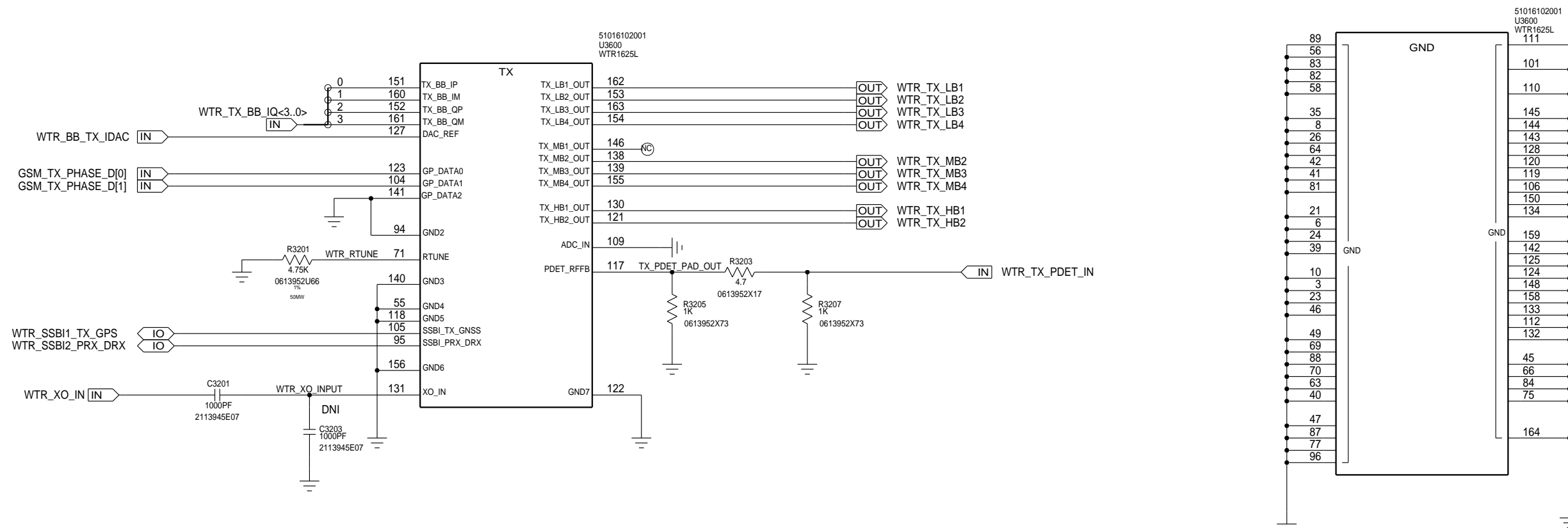
REF 3100-3199



| | | | |
|---|--|---|------------------|
| APPROVALS | |  MOTOROLA MOBILE DEVICES | |
| ENGINEER: | | BLOCK TITLE: | |
| LAST MODIFIED BY: Thu Jun 26 14:20:37 2014 | | 84016292001_b | |
| MOTOROLA CONFIDENTIAL RESTRICTED <small>THE DRAWING ON THIS PRINT AND INFORMATION THEREWITH ARE PROPRIETARY TO MOTOROLA AND SHALL NOT BE USED OR DISCUSSED IN WHOLE OR IN PART WITHOUT MOTOROLA'S CONSENT. © COPYRIGHT, MOTOROLA. THIS DOES NOT IMPLY PUBLICATION</small> | | PROJECT NAME B 84016292001_b.cpm | REV 01 |
| | | CAD FILE NAME: | |
| | | PAGE 50 OF 55 | |

WTR1625: TX/GROUND

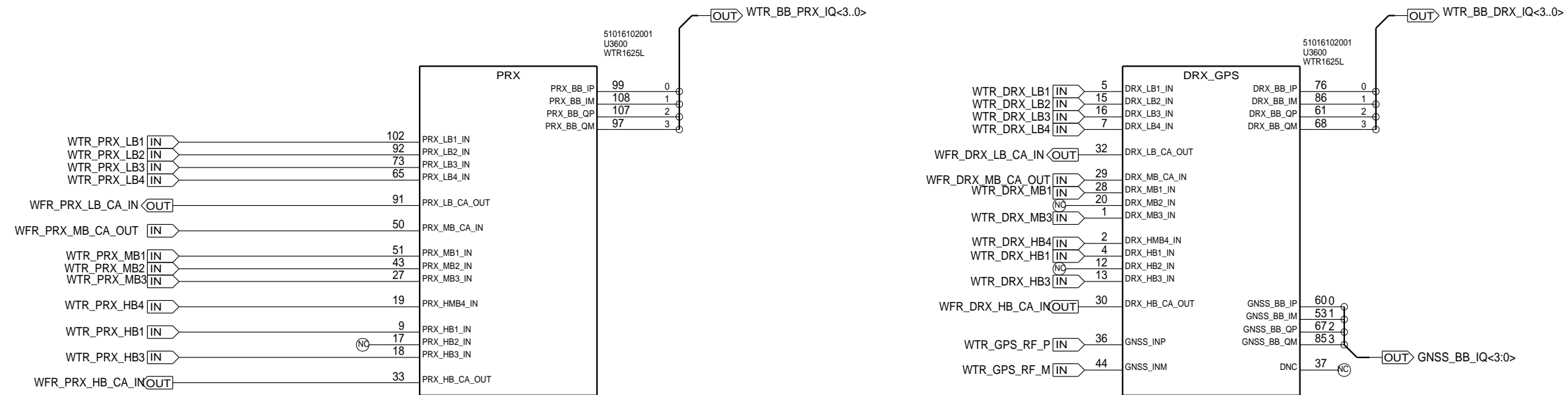
REF 3200-3299



| | | | |
|---|--|-------------------------------------|-----------|
| APPROVALS | | MOTOROLA MOBILE DEVICES | |
| ENGINEER: | | BLOCK TITLE: | |
| LAST MODIFIED BY: Thu Jun 26 14:20:43 2014 | | 84016292001_b | |
| MOTOROLA CONFIDENTIAL RESTRICTED <small>THE DRAWING ON THIS PRINT AND INFORMATION THEREWITH ARE PROPRIETARY TO MOTOROLA AND SHALL NOT BE USED OR DISCUSSED IN WHOLE OR IN PART WITHOUT MOTOROLA'S CONSENT. © COPYRIGHT, MOTOROLA. THIS DOES NOT IMPLY PUBLICATION</small> | | PROJECT NAME B 84016292001_b.cpm | REV 01 |
| | | CAD FILE NAME: | |
| | | PAGE 51 OF 55 | |

WTR1625: PRX/DRX/GPS

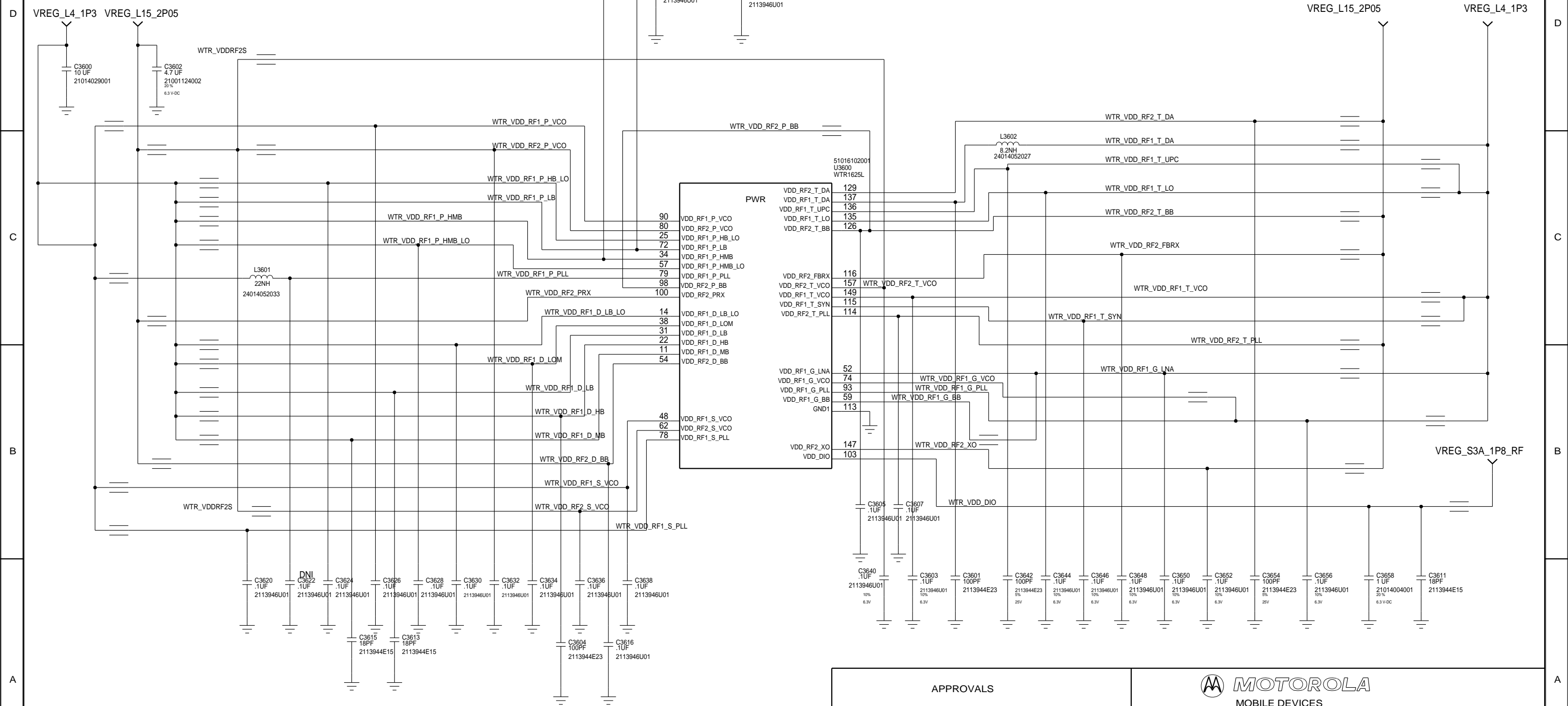
REF 3300-3399



| | | | |
|---|--|--|------------------|
| APPROVALS | | MOTOROLA MOBILE DEVICES | |
| ENGINEER: | | BLOCK TITLE: | |
| LAST MODIFIED BY: Thu Jun 26 14:20:49 2014 | | 84016292001_b | |
| MOTOROLA CONFIDENTIAL RESTRICTED <small>THE DRAWING ON THIS PRINT AND INFORMATION THEREWITH ARE PROPRIETARY TO MOTOROLA AND SHALL NOT BE USED OR DISCUSSED IN WHOLE OR IN PART WITHOUT MOTOROLA'S CONSENT. © COPYRIGHT, MOTOROLA. THIS DOES NOT IMPLY PUBLICATION</small> | | PROJECT NAME B 84016292001_b.cpm | REV 01 |
| | | CAD FILE NAME: | |
| | | PAGE 52 OF 55 | |

WTR1625: POWER

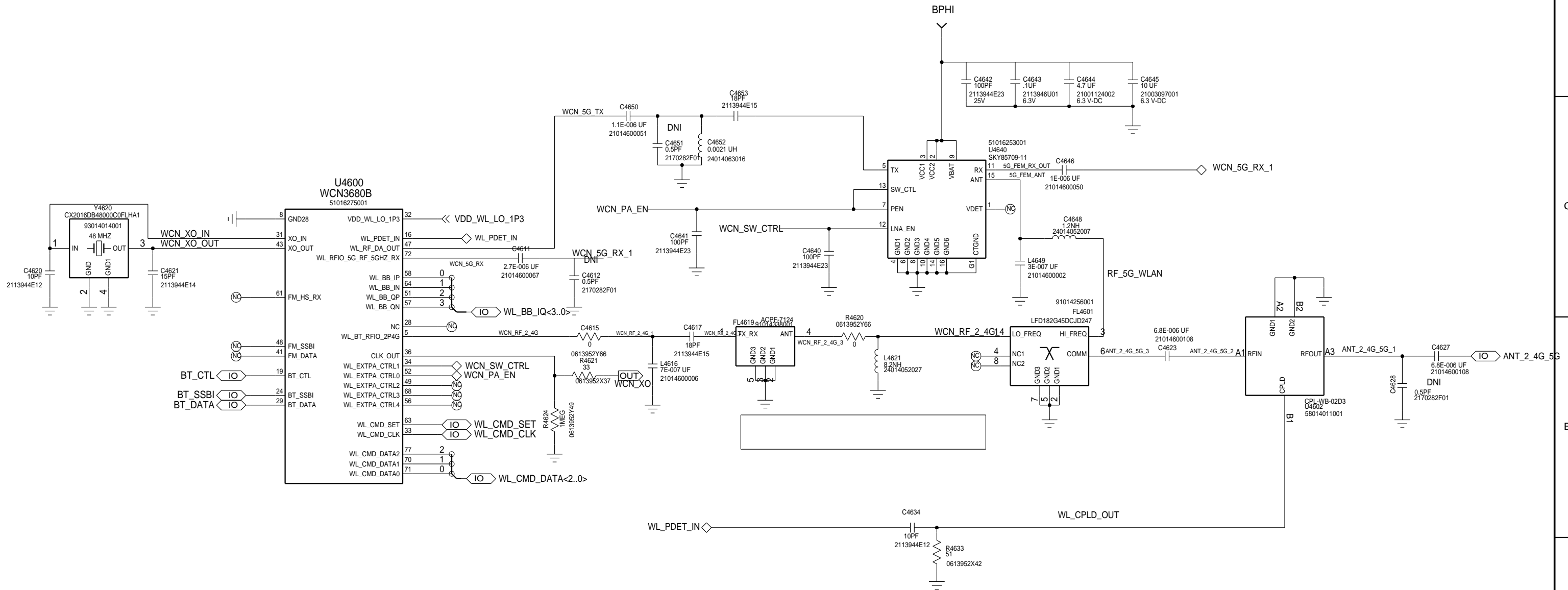
REF 3600-3699



| | | | |
|--|--|--|------------------|
| APPROVALS | | MOTOROLA MOBILE DEVICES | |
| ENGINEER: | | BLOCK TITLE: 84016292001_b | |
| LAST MODIFIED BY: Thu Jun 26 14:20:56 2014 | | PROJECT NAME 84016292001_b.cpm | |
| MOTOROLA CONFIDENTIAL RESTRICTED <small>THE DRAWING ON THIS PRINT AND INFORMATION THEREWITH ARE PROPRIETARY TO MOTOROLA AND SHALL NOT BE USED OR DISCUSSED IN WHOLE OR IN PART WITHOUT MOTOROLA'S CONSENT. © COPYRIGHT, MOTOROLA. THIS DOES NOT IMPLY PUBLICATION</small> | | B | REV 01 |
| | | CAD FILE NAME: PAGE 53 OF 55 | |

WCN3660/3680 RF/CTRL

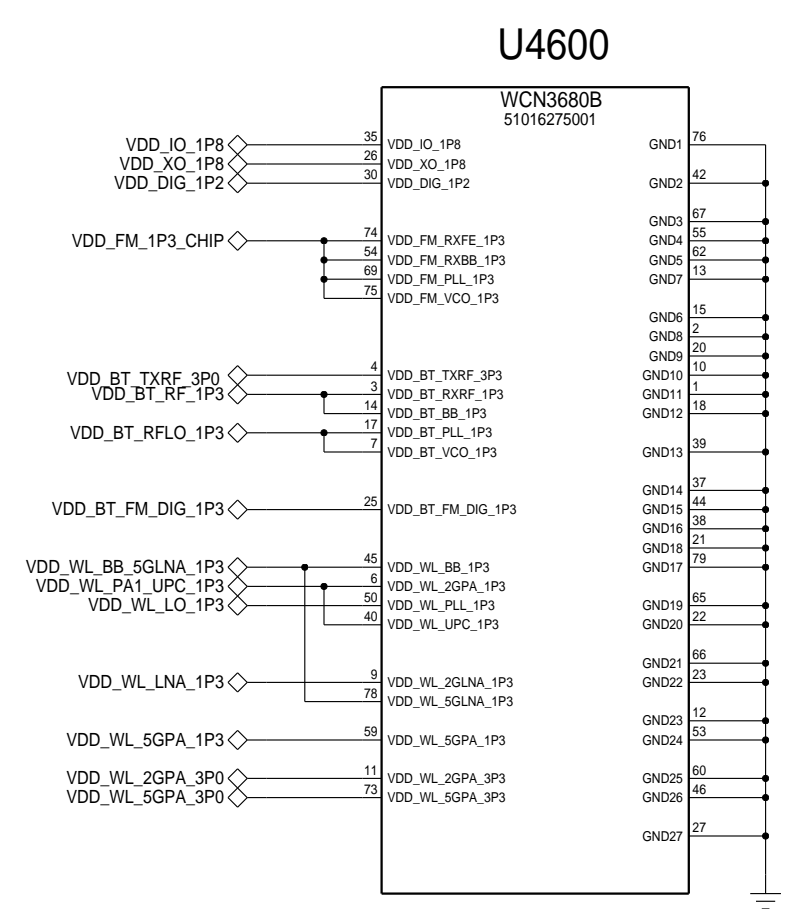
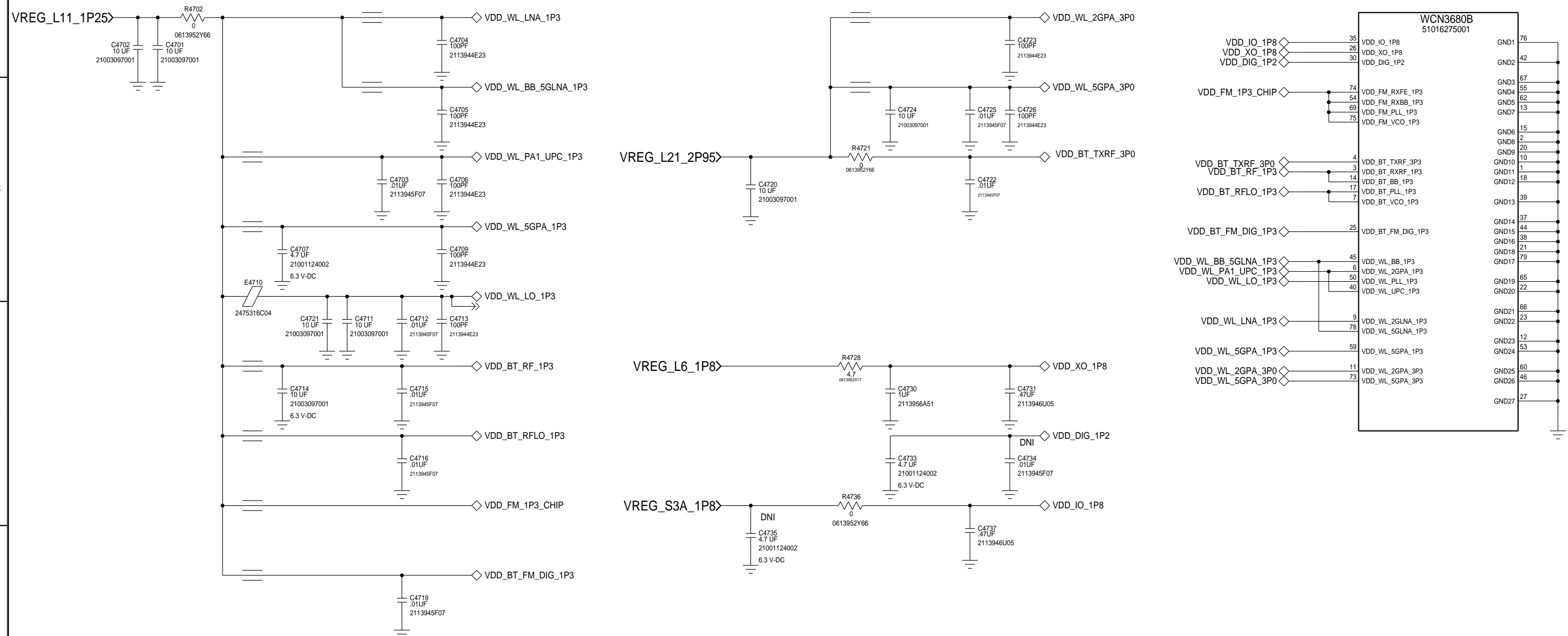
REF 4600-4699



| | | | |
|--|--|-----------------------------------|-----|
| APPROVALS | | MOTOROLA MOBILE DEVICES | |
| ENGINEER: | | BLOCK TITLE: | |
| LAST MODIFIED BY: FROEHLING Thu Jun 26 14:21:03 2014 | | 84016292001_b | |
| MOTOROLA CONFIDENTIAL RESTRICTED <small>THE DRAWING ON THIS PRINT AND INFORMATION THEREWITH ARE PROPRIETARY TO MOTOROLA AND SHALL NOT BE USED OR DISCUSSED IN WHOLE OR IN PART WITHOUT MOTOROLA'S CONSENT. © COPYRIGHT, MOTOROLA. THIS DOES NOT IMPLY PUBLICATION</small> | | PROJECT NAME | REV |
| | | B 84016292001_b.cpm | 01 |
| | | CAD FILE NAME: | |
| | | PAGE 54 OF 55 | |

WCN3660 POWER

REF 4700-4799



| | | | |
|--|--|-------------------------------------|-----------|
| APPROVALS | | MOTOROLA MOBILE DEVICES | |
| ENGINEER: | | BLOCK TITLE: | |
| LAST MODIFIED BY: FROEHLING Thu Jun 26 14:21:10 2014 | | Block 2020060b | |
| MOTOROLA CONFIDENTIAL RESTRICTED <small>THE DRAWING ON THIS PRINT AND INFORMATION THEREWITH ARE PROPRIETARY TO MOTOROLA AND SHALL NOT BE USED OR DISCUSSED IN WHOLE OR IN PART WITHOUT MOTOROLA'S CONSENT. © COPYRIGHT, MOTOROLA. THIS DOES NOT IMPLY PUBLICATION</small> | | PROJECT NAME B 84016292001_b.cpm | REV 01 |
| | | PAGE 55 OF 55 | |