

TITLE

MODEL

# L3 Moto X RF Troubleshooting Guide

**RF Test**

## Introduction:

This document covers the Board Test RF sections for all variants of X+1. It includes the schematic and layout of each block to help troubleshoot factory failures and analysis.

## Sequence

PCB COMPONENT PLACEMENT: .....	3
GSM HB TX .....	7
LTE & WCDMA B1 TX .....	10
LTE & WCDMA B3 TX .....	20
LTE & WCDMA B4 TX .....	25
LTE B7 TX .....	34
LTE B20 TX EU SKU .....	46
LTE B41 TX .....	49
GSM 1800 RX .....	54
GSM 1900 RX .....	57
WCDMA B1 C0 RX ATT & VZW .....	60
WCDMA B1 C0 RX SPRINT .....	64
LTE B3 C0 RX ATT & VZW SKUS.....	74
LTE & WCDMA B3 C0 RX EU SKU .....	77
LTE & WCDMA B4 C0 RX SPRINT .....	80
LTE & WCDMA B4 C0 RX ATT VZW .....	84
LTE B7 C0 RX ATT & VZW & EU SKUS .....	90
LTE B12 B13 B17 C0 RX.....	97
LTE B20 C0 RX .....	99
LTE B29 C0 RX_SPRINT .....	102
LTE B41 C0 RX SPRINT .....	105
LTE B3 C1 RX ATT & VZW SKUS.....	114
LTE & WCDMA B3 C1 RX EU SKUS .....	117
LTE & WCDMA B4 C1 RX SPRINT .....	120
LTE & WCDMA B4 C1 RX ATT & VZW SKU.....	125
LTE B7 C1 RX ATT & VZW & EU SKUS .....	131
LTE B12 B13 B17 C1 RX.....	134
LTE B20&B8 C1 RX .....	137

TITLE	MODEL
<b>L3 Moto X RF Troubleshooting Guide</b>	<b>RF Test</b>

LTE B29 C1 RX SPRINT ..... 140

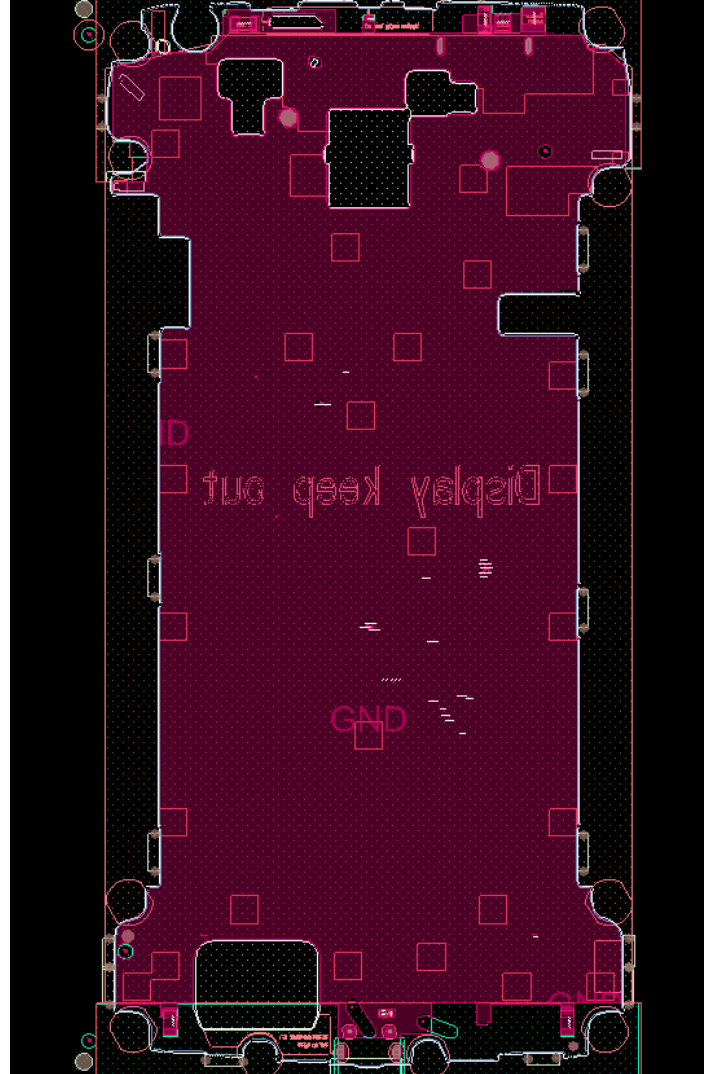
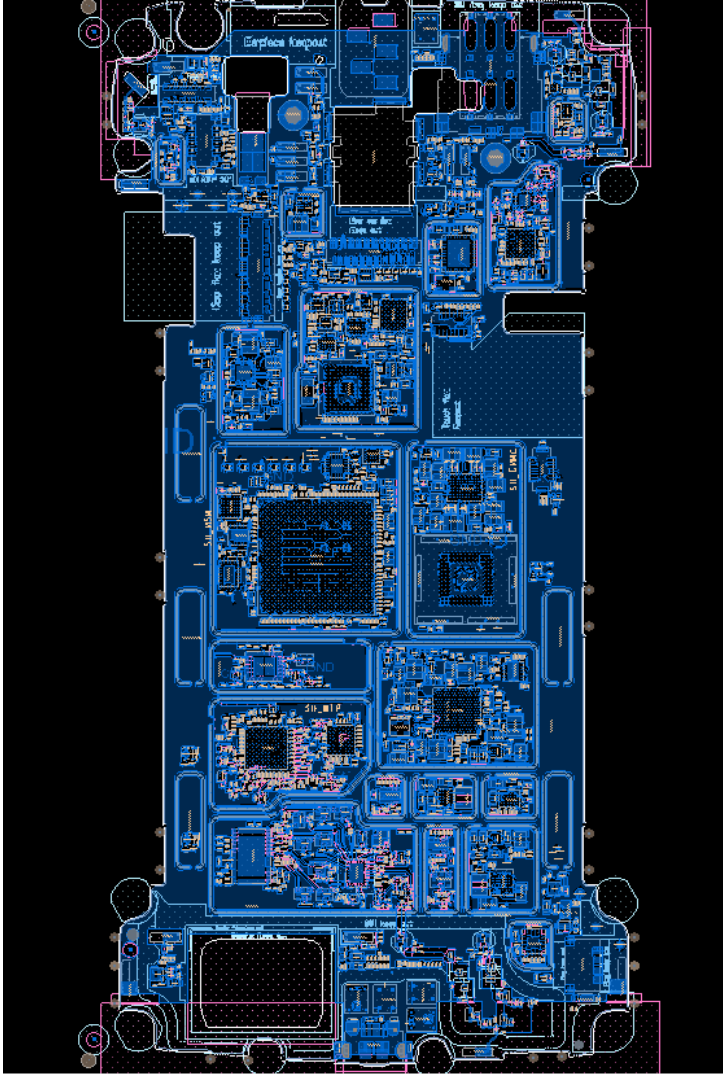
TITLE

# L3 Moto X RF Troubleshooting Guide

MODEL

RF Test

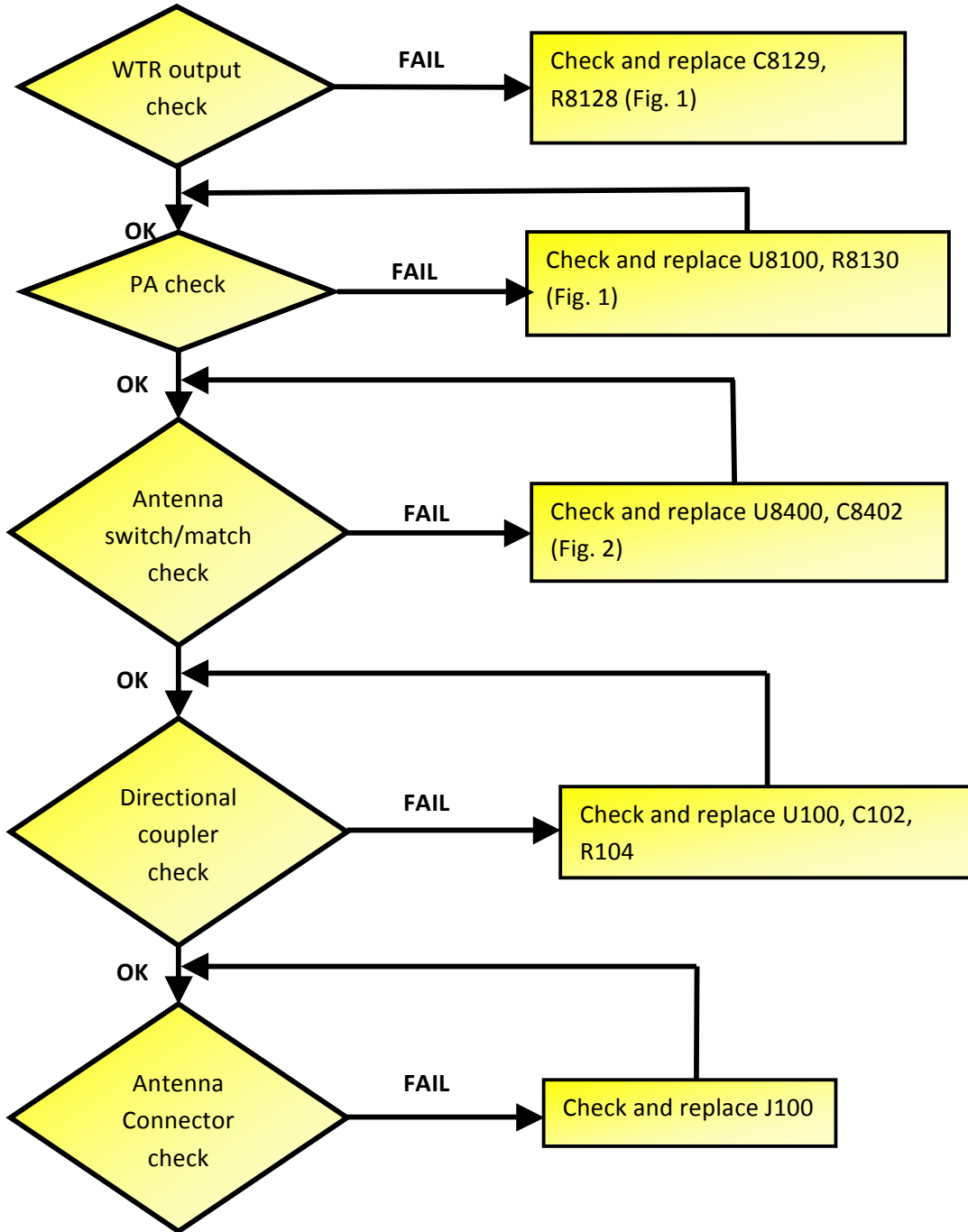
## PCB Component Placement:



# L3 Moto X RF Troubleshooting Guide

RF Test

GSM LB TX

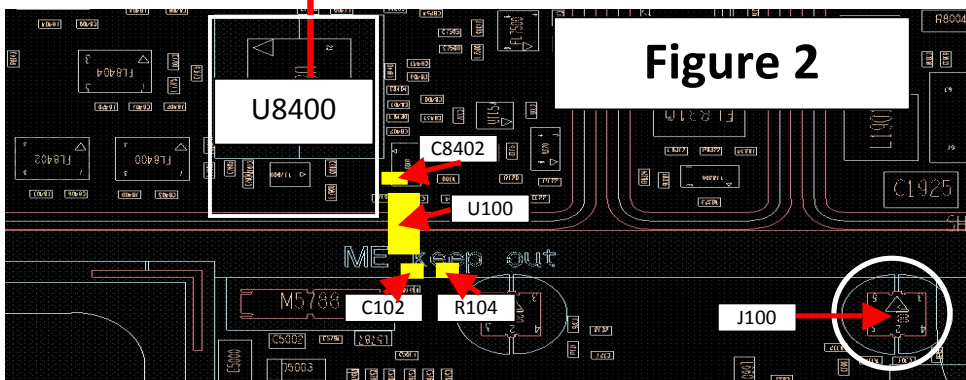
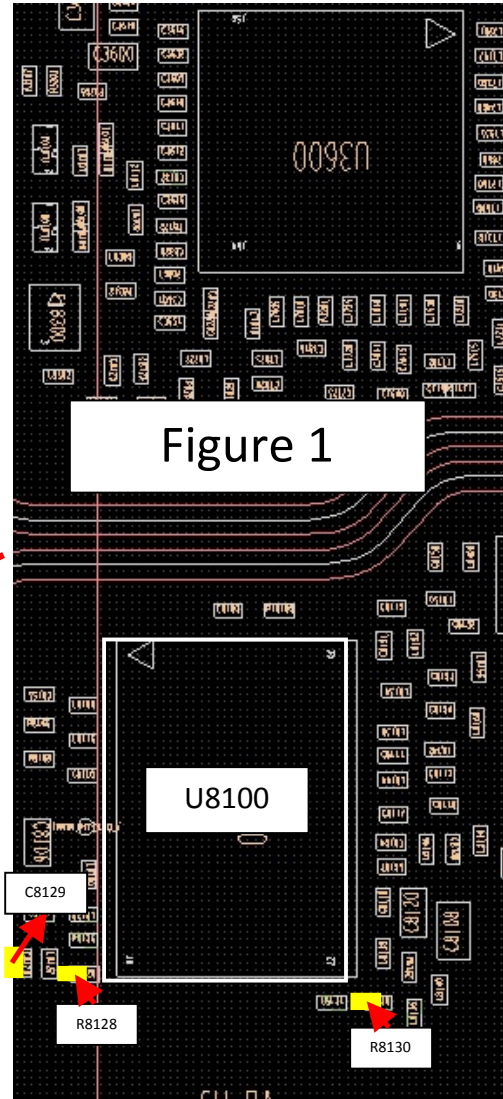
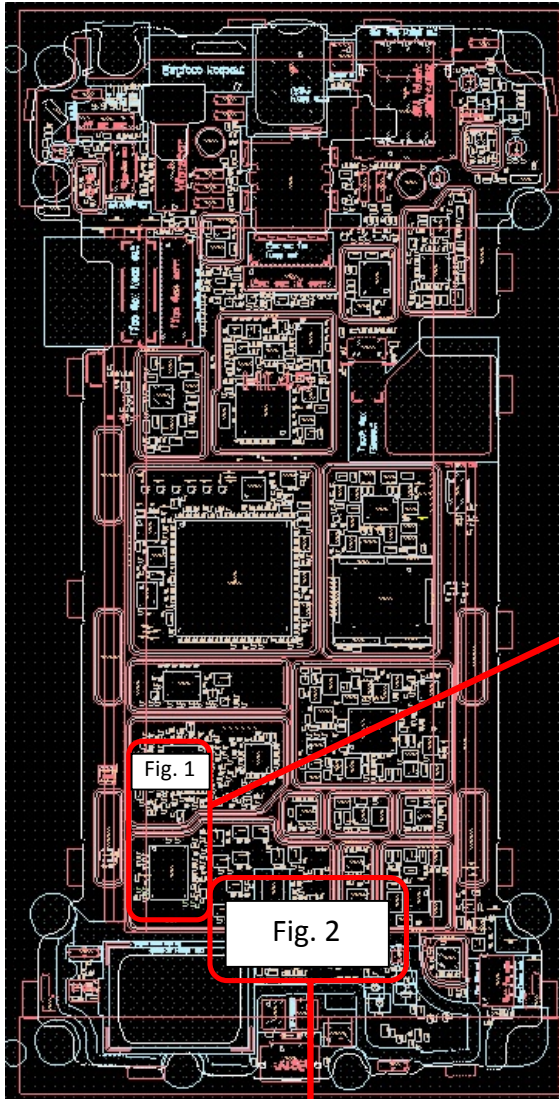


TITLE

# L3 Moto X RF Troubleshooting Guide

MODEL

RF Test



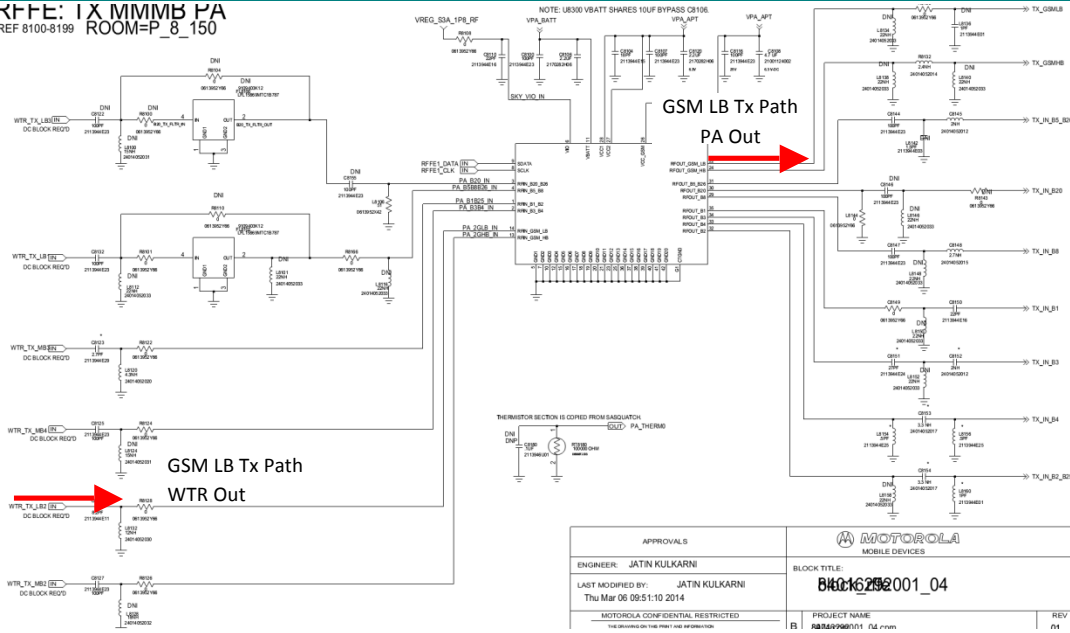
TITLE

# L3 Moto X RF Troubleshooting Guide

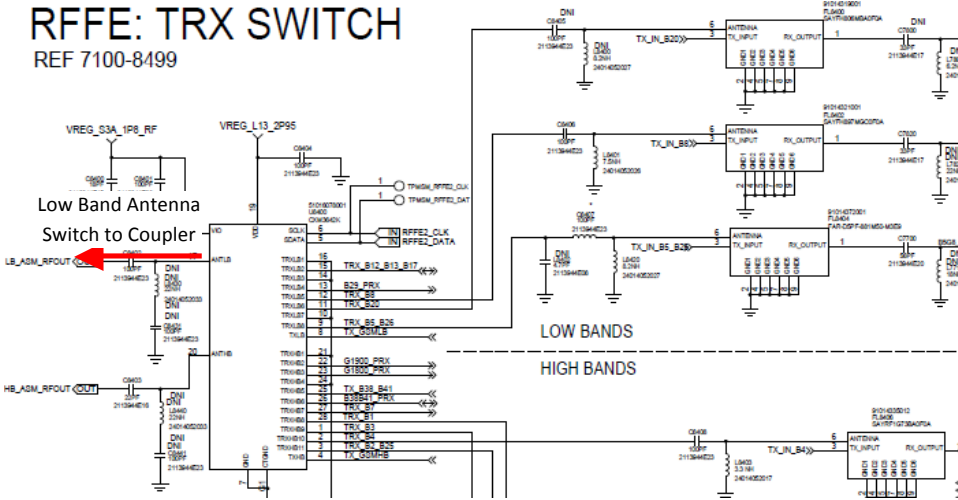
MODEL

RF Test

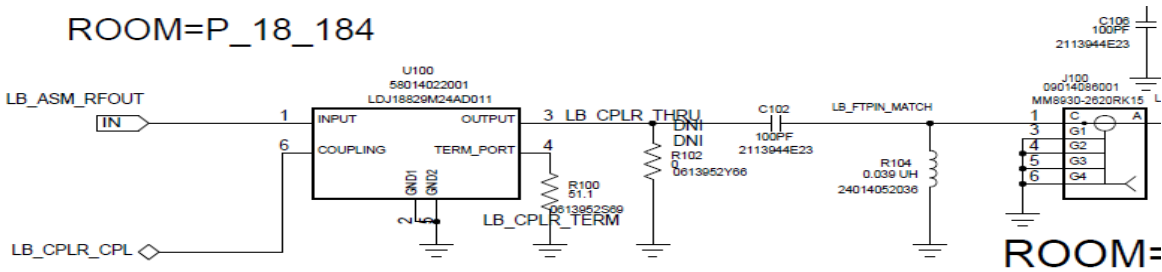
RFFE: IX MMBB PA  
REF 8100-8199 ROOM=P\_8\_150



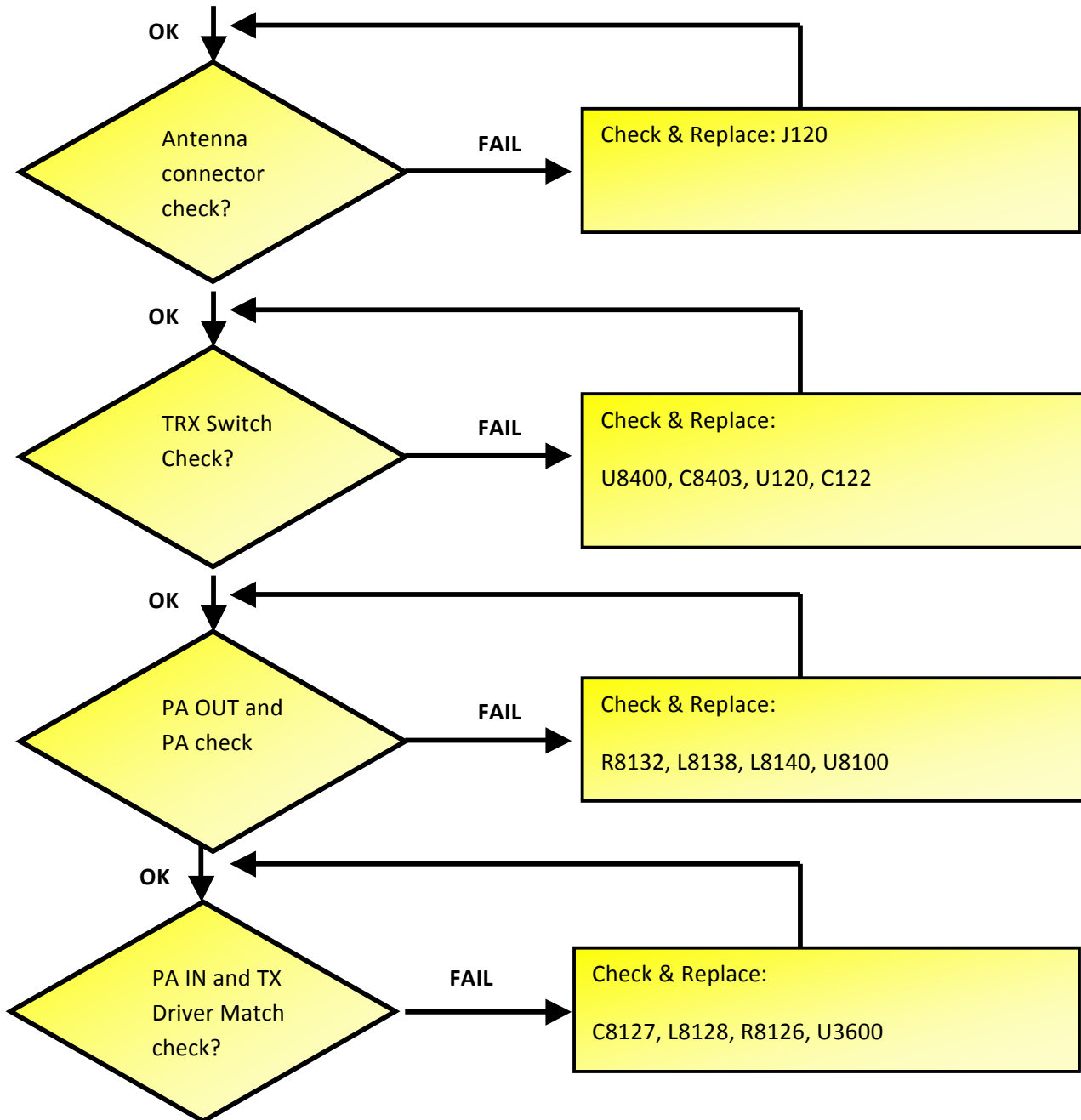
RFFE: TRX SWITCH  
REF 7100-8499



ROOM=P\_18\_184



GSM HB TX

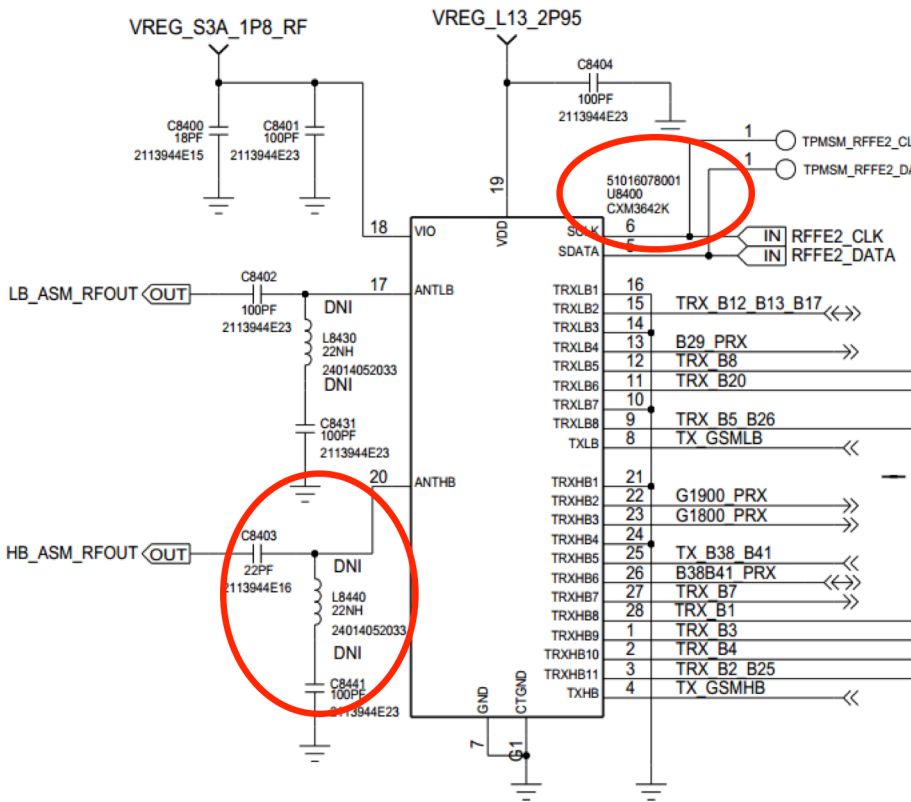
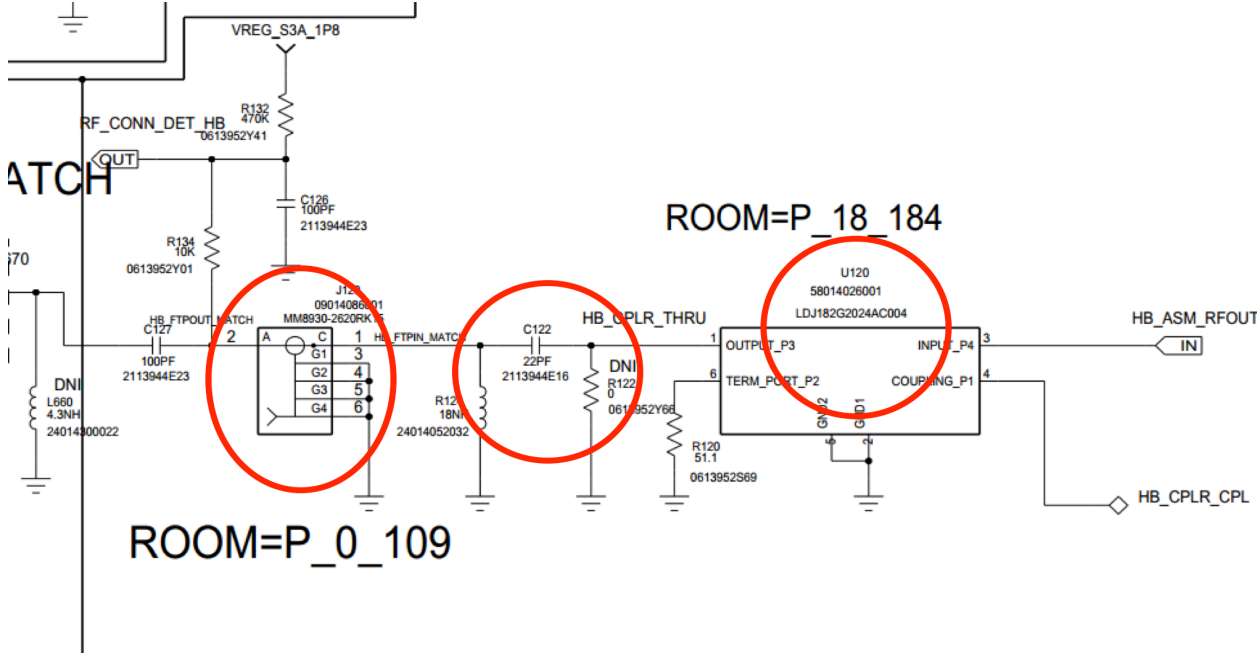


TITLE

**L3 Moto X RF Troubleshooting Guide**

MODEL

**RF Test**



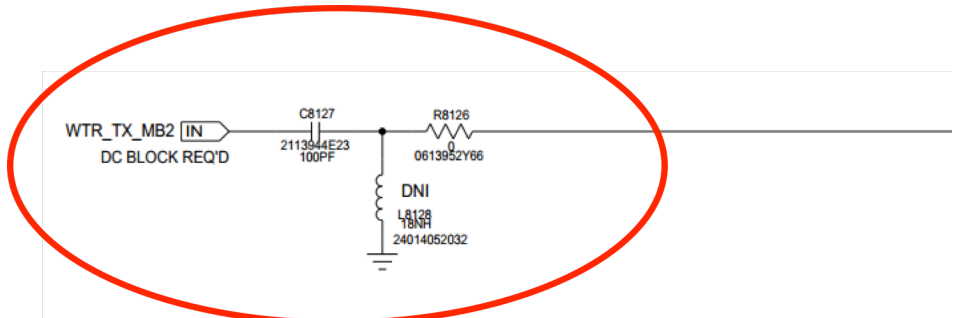
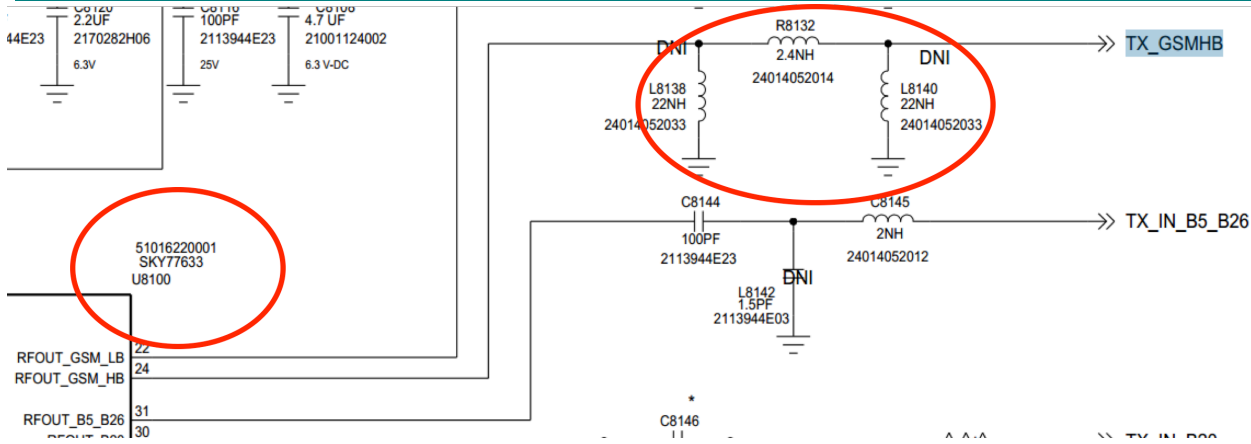


TITLE

# L3 Moto X RF Troubleshooting Guide

MODEL

RF Test



51016102001  
U3800  
WTR1625L

TX_LB1_OUT	162	B5/B8/B26	OUT	WTR_TX_LB1
TX_LB2_OUT	153	GSM LB	OUT	WTR_TX_LB2
TX_LB3_OUT	163	B20	OUT	WTR_TX_LB3
TX_LB4_OUT	154	B12/B13/B17	OUT	WTR_TX_LB4
TX_MB1_OUT	146	GSM HB	OUT	WTR_TX_MB2
TX_MB2_OUT	138			
TX_MB3_OUT	139			
TX_MB4_OUT	155			

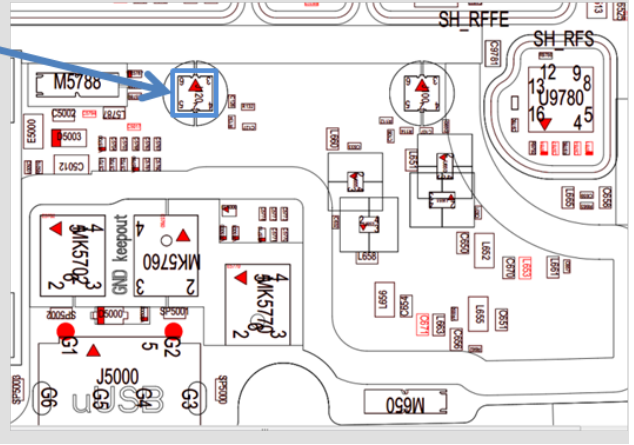
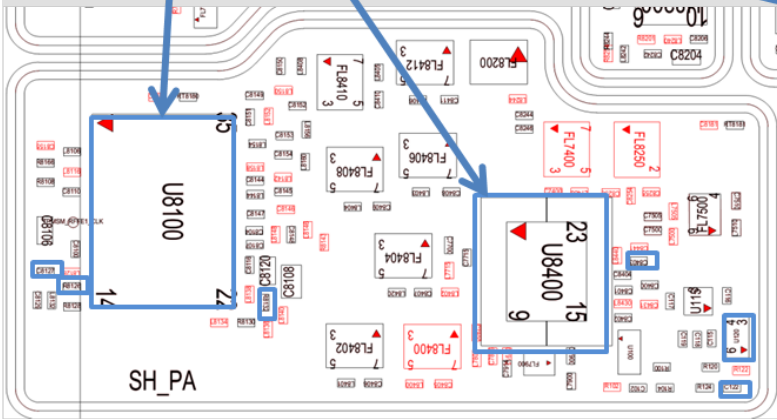
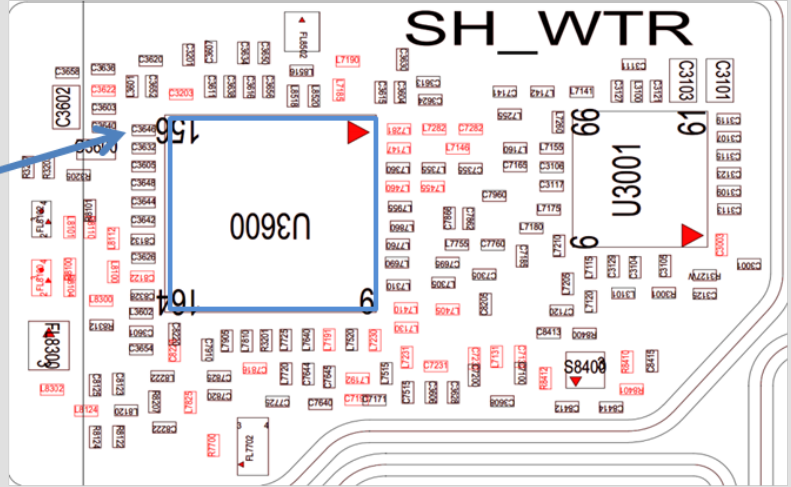
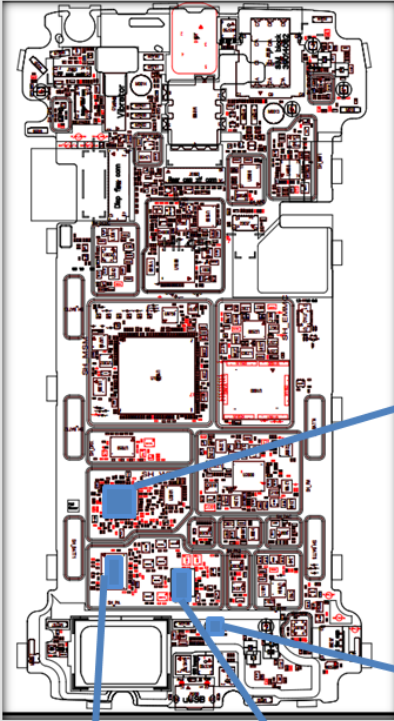
TITLE

# L3 Moto X RF Troubleshooting Guide

MODEL

RF Test

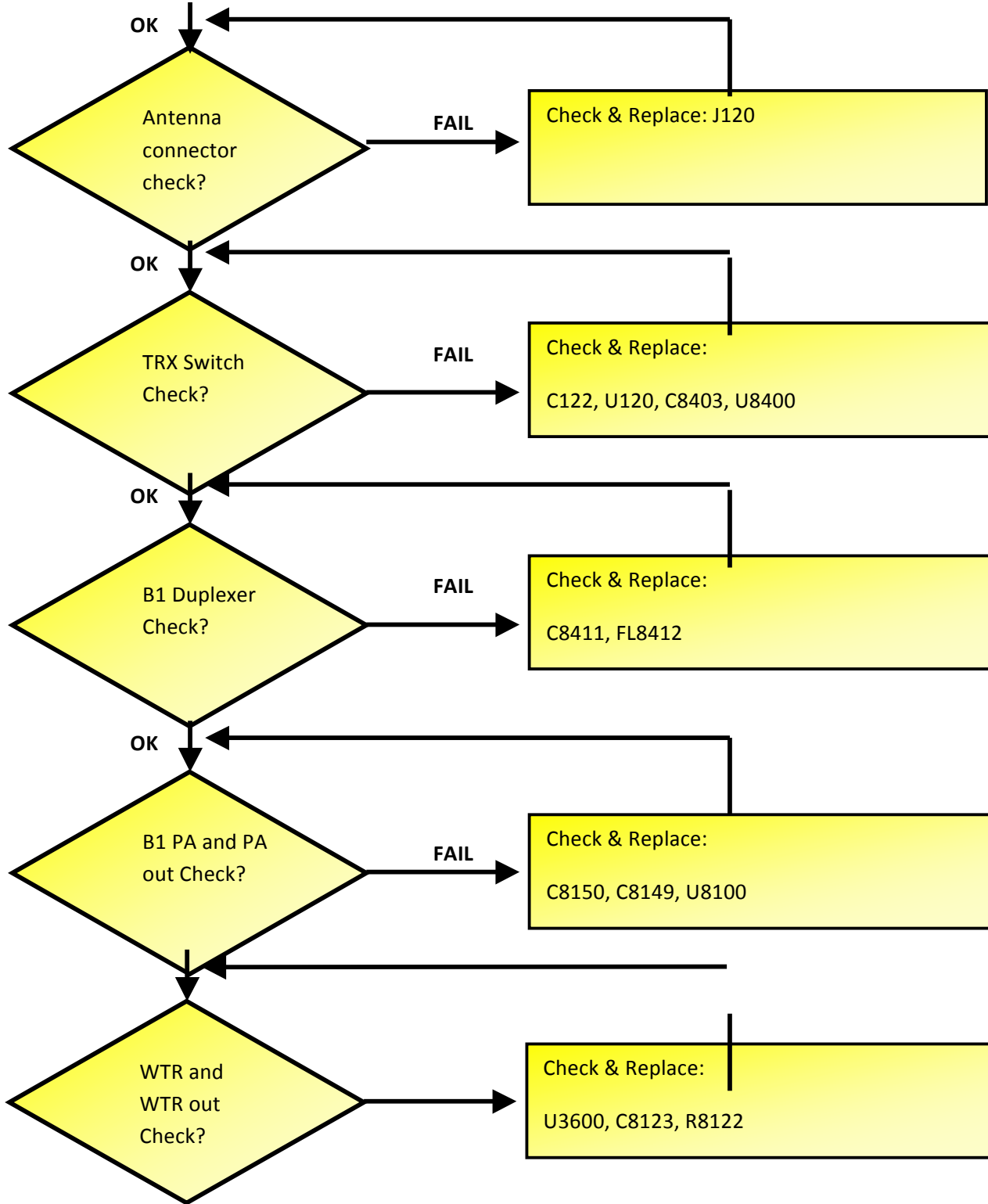
GSM\_1800\_TX, EDGE\_1800\_TX,  
GSM\_1900\_TX, & EDGE\_1900\_TX



LTE & WCDMA B1 TX

# L3 Moto X RF Troubleshooting Guide

RF Test

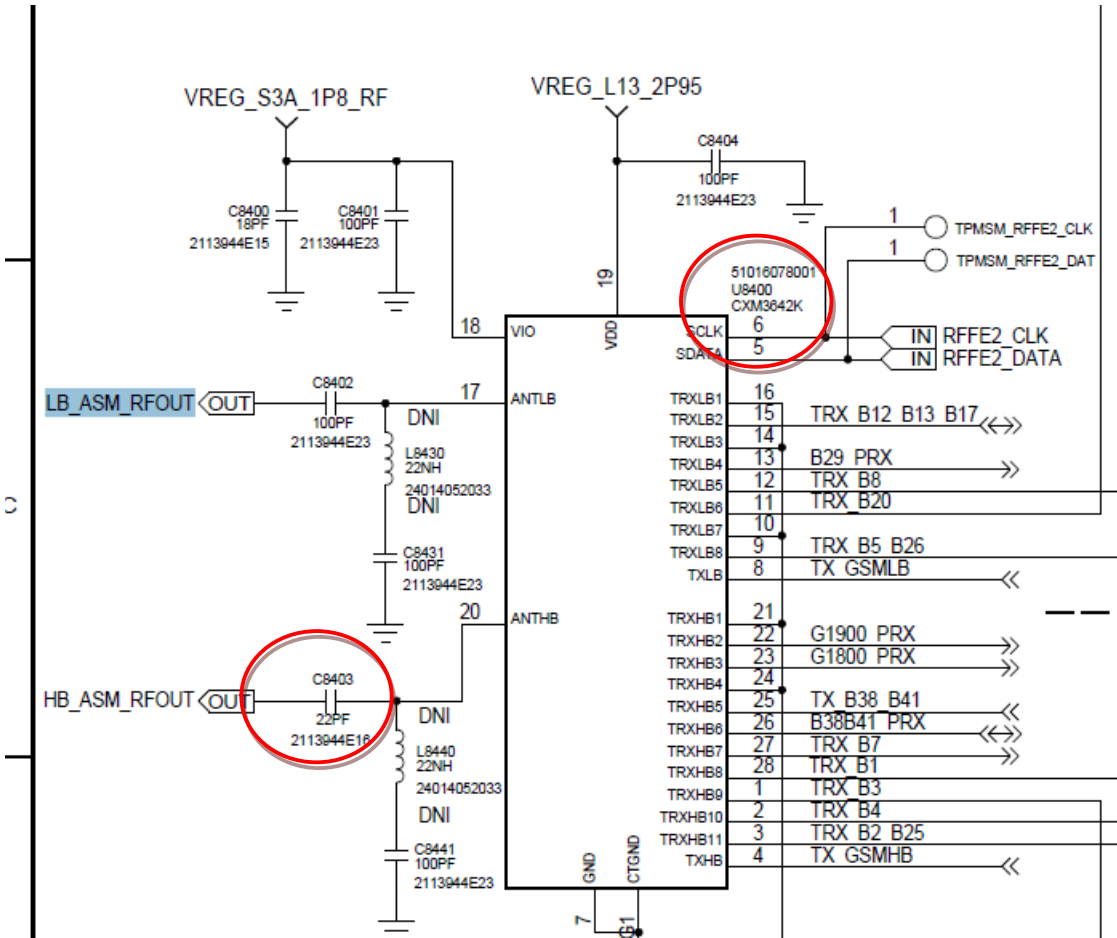
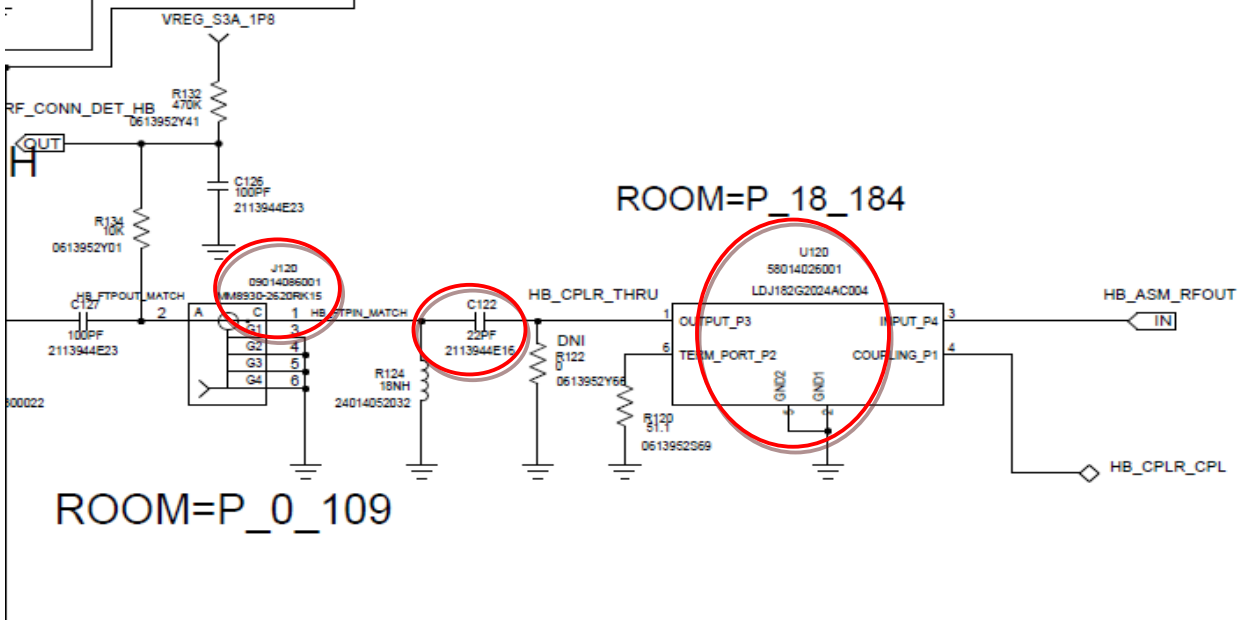


TITLE

# L3 Moto X RF Troubleshooting Guide

MODEL

RF Test

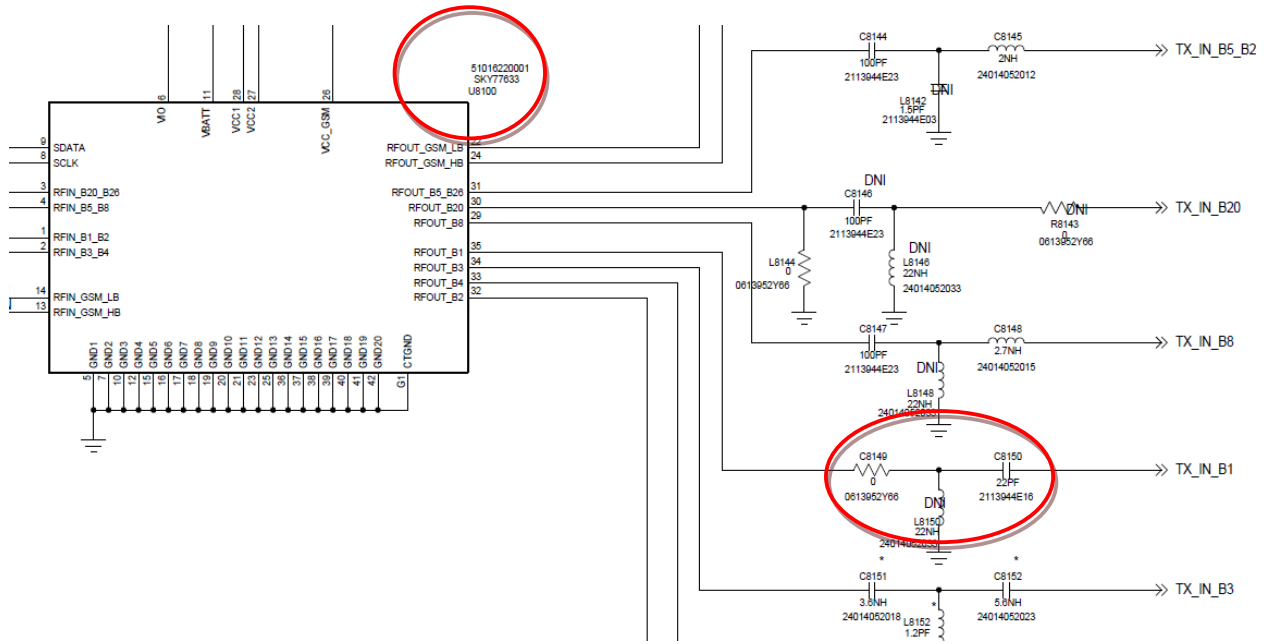
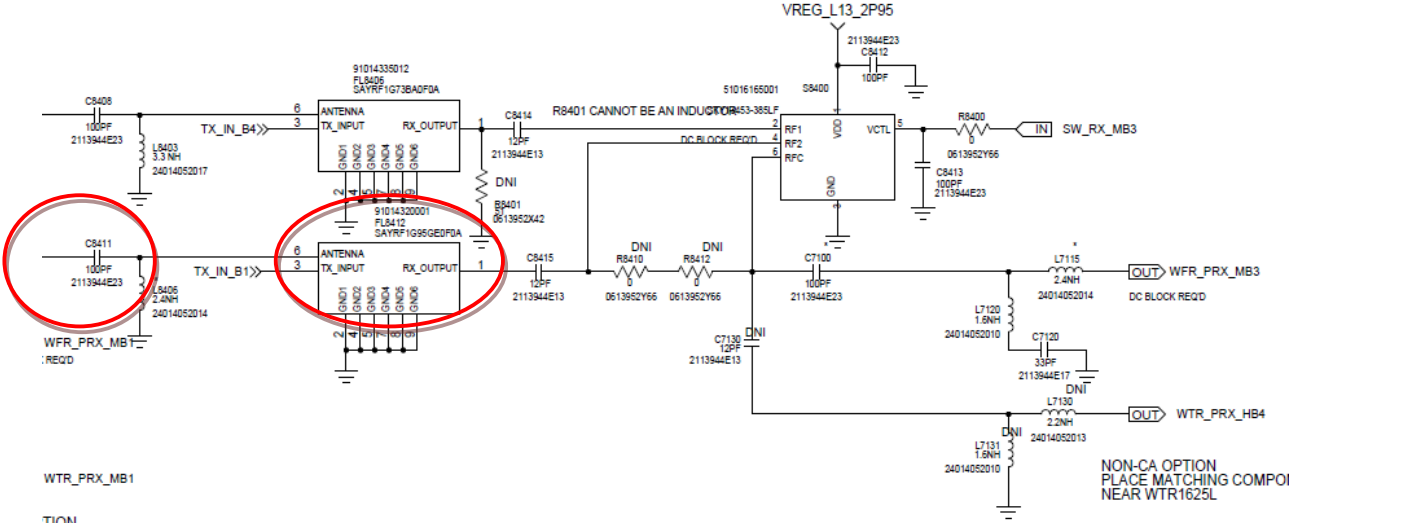


TITLE

# L3 Moto X RF Troubleshooting Guide

MODEL

RF Test

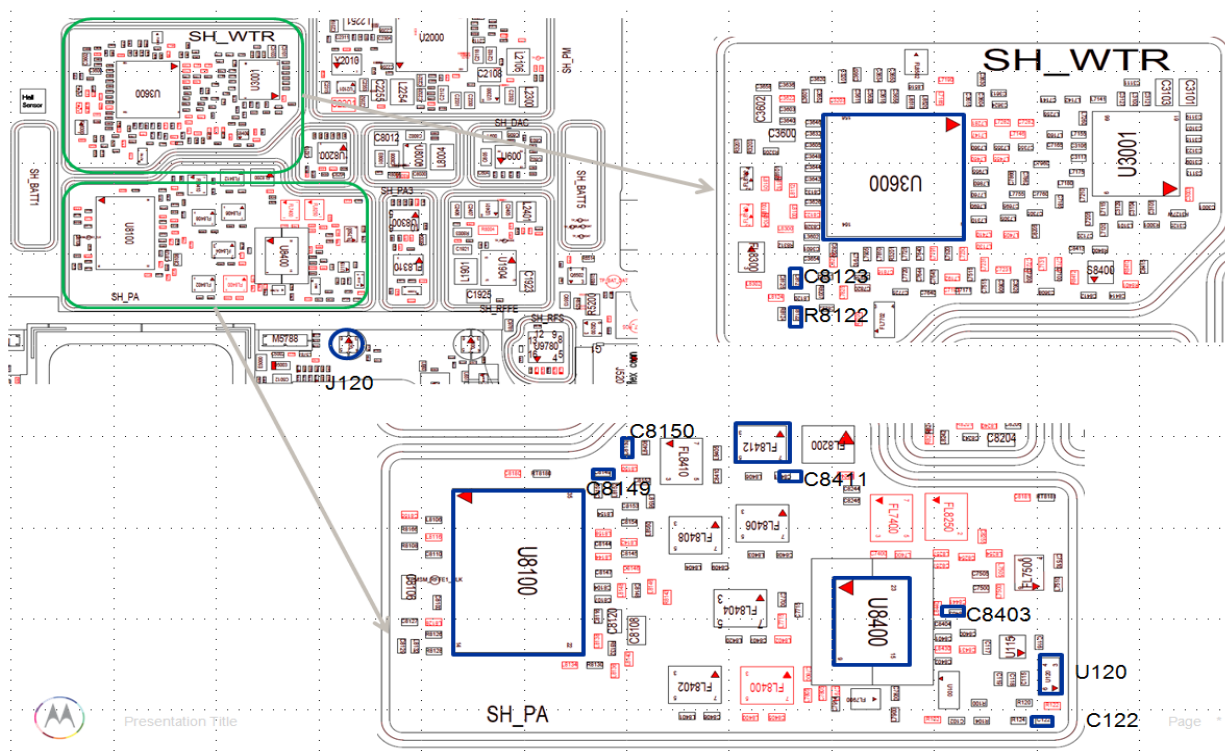
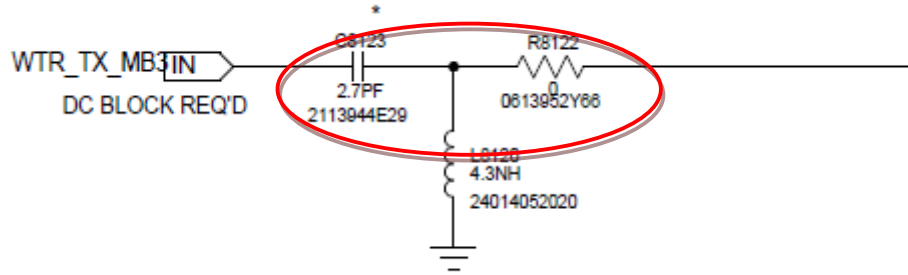
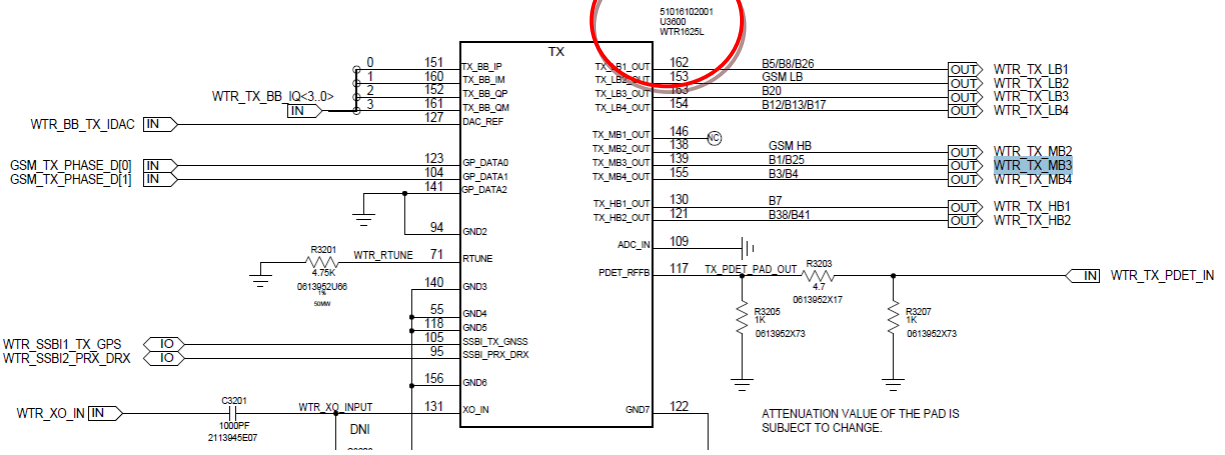


TITLE

# L3 Moto X RF Troubleshooting Guide

MODEL

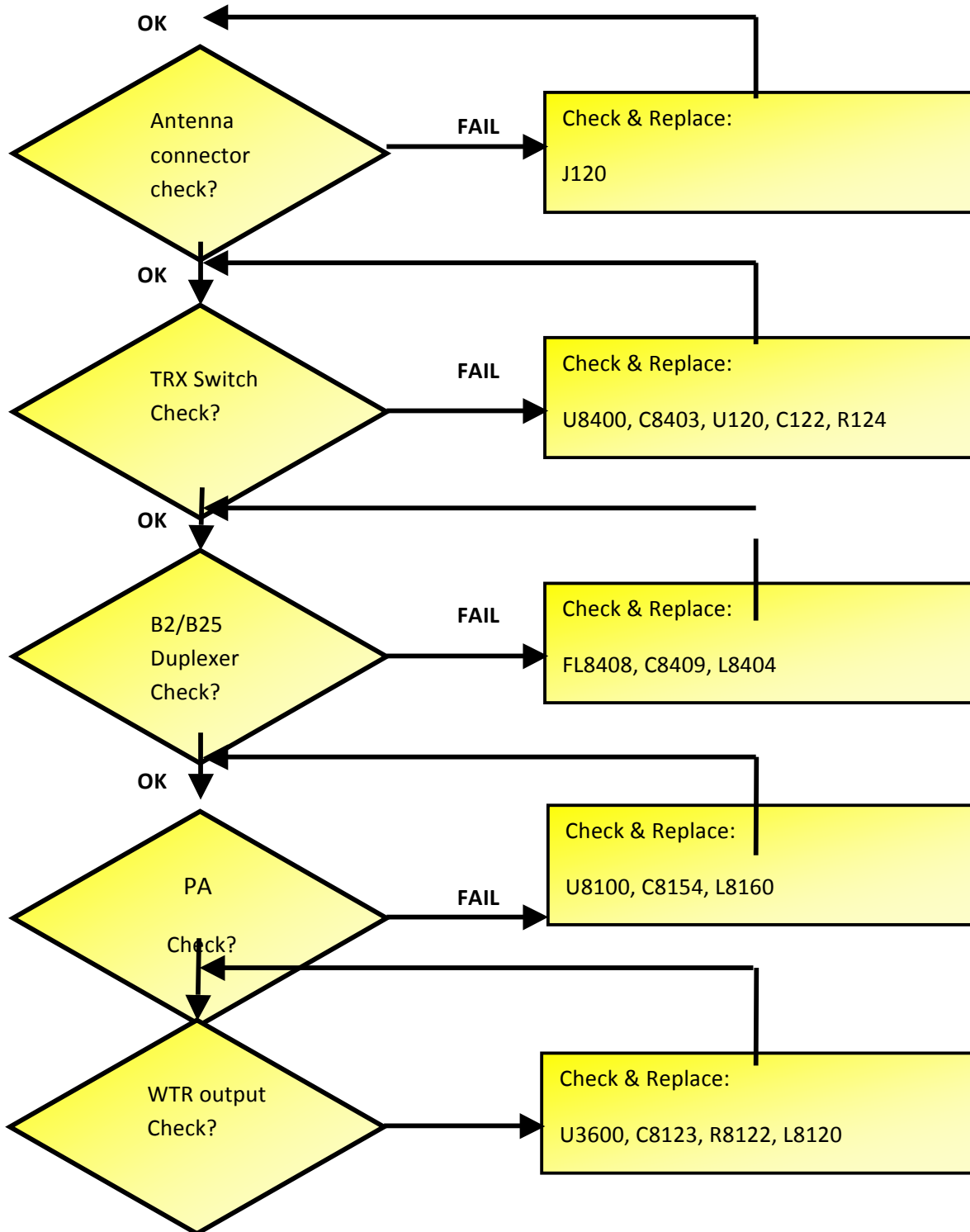
RF Test



LTE B2&B25,WCDMA B2, CDMA BC1 TX

# L3 Moto X RF Troubleshooting Guide

RF Test

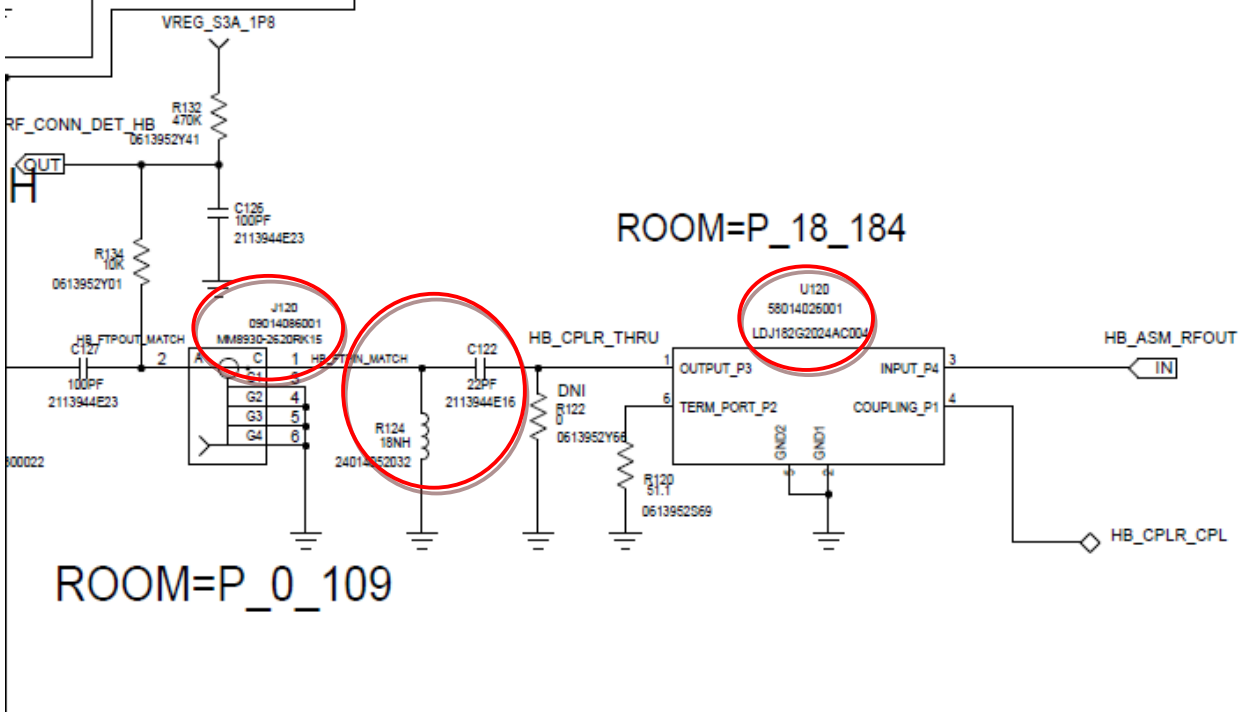


TITLE

**L3 Moto X RF Troubleshooting Guide**

MODEL

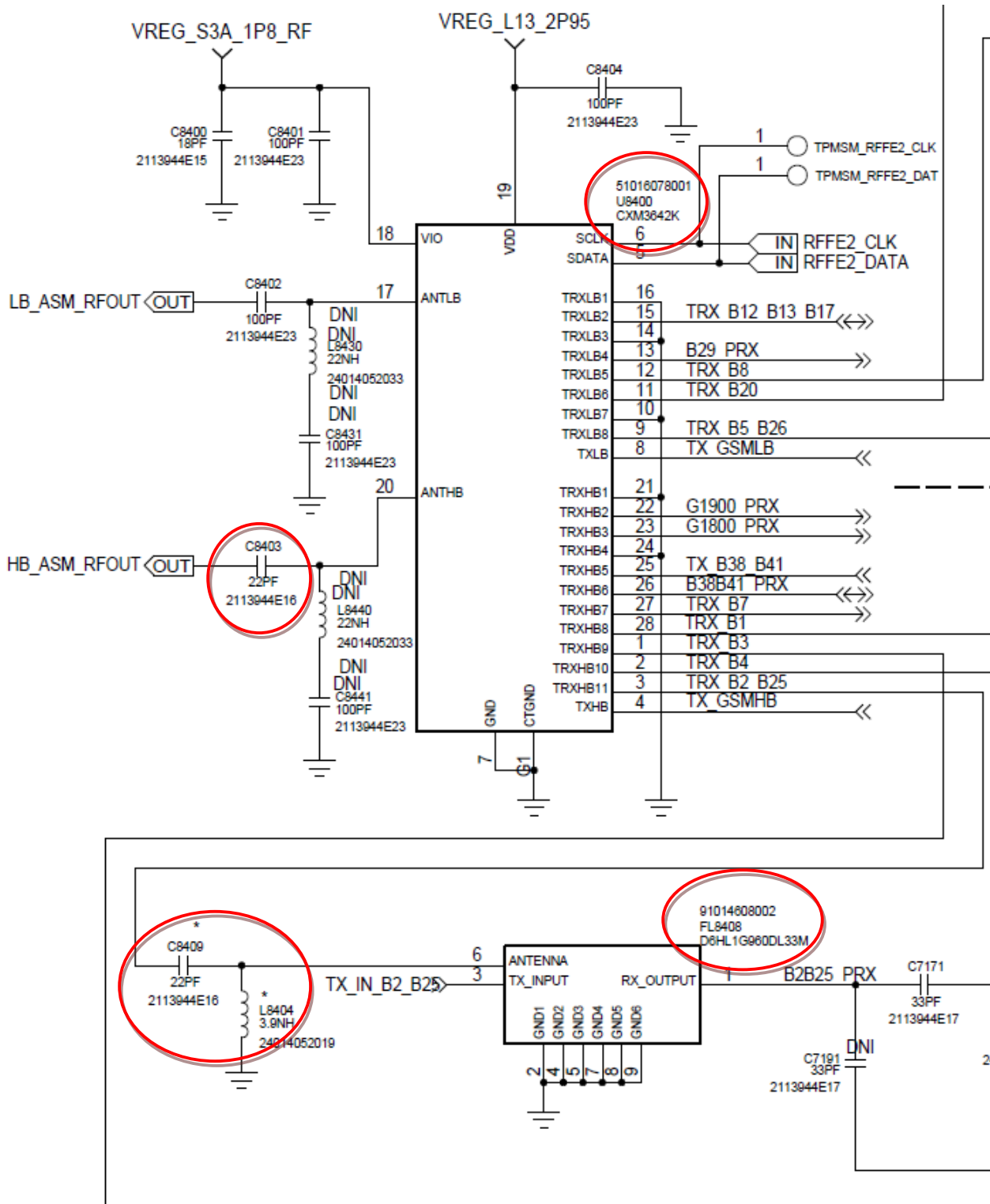
**RF Test**





# L3 Moto X RF Troubleshooting Guide

RF Test

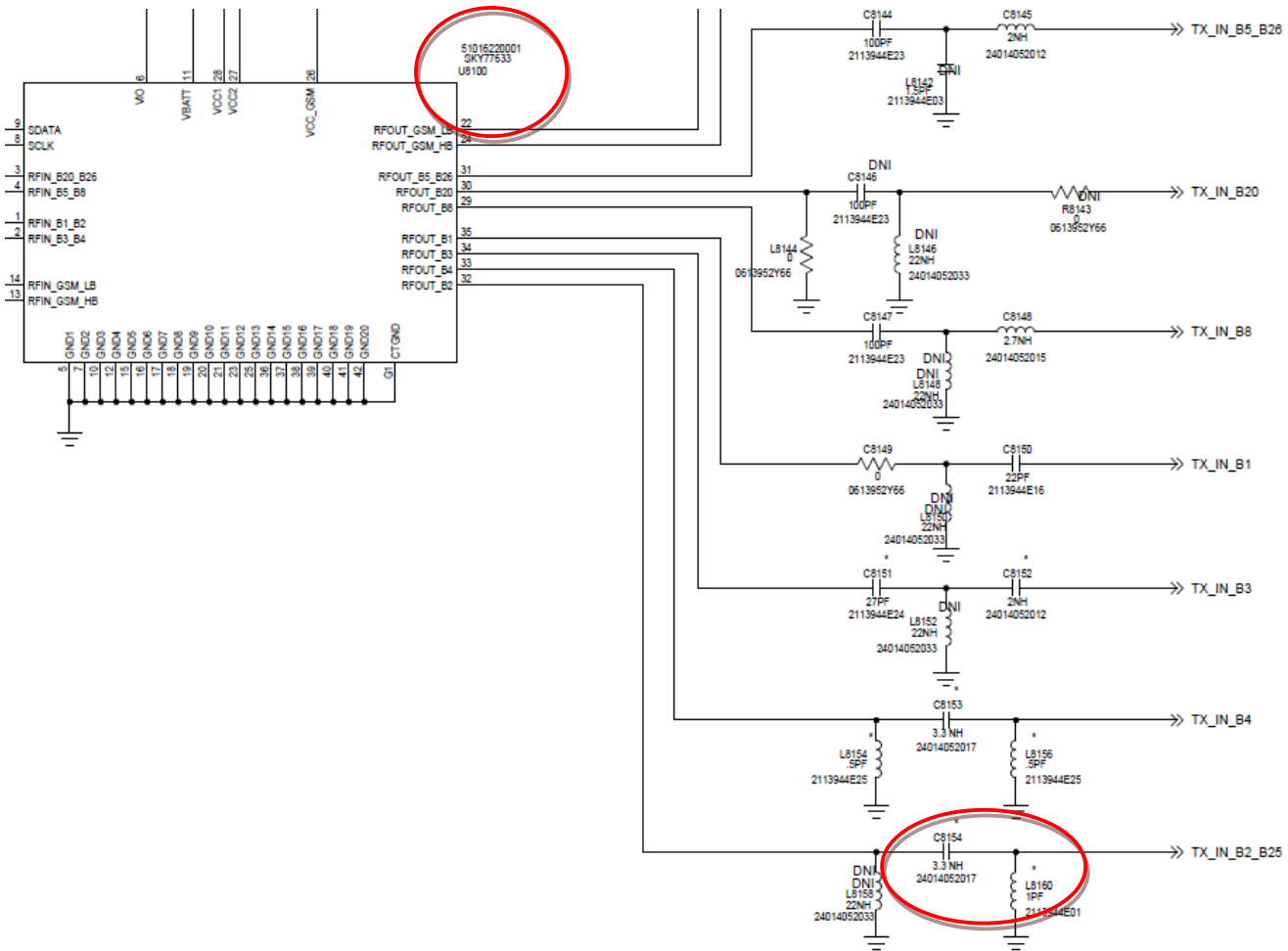


TITLE

# L3 Moto X RF Troubleshooting Guide

MODEL

RF Test

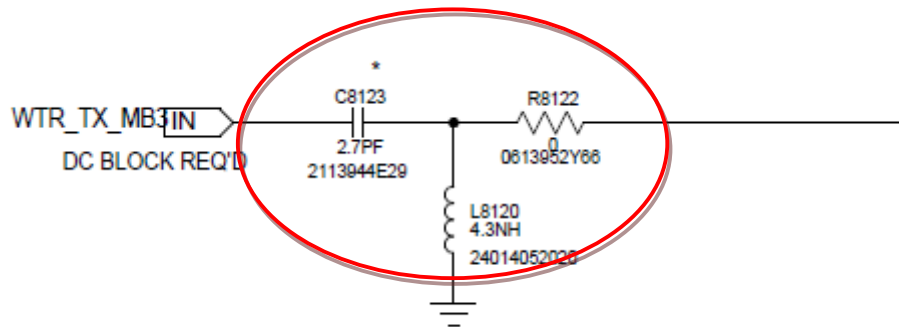
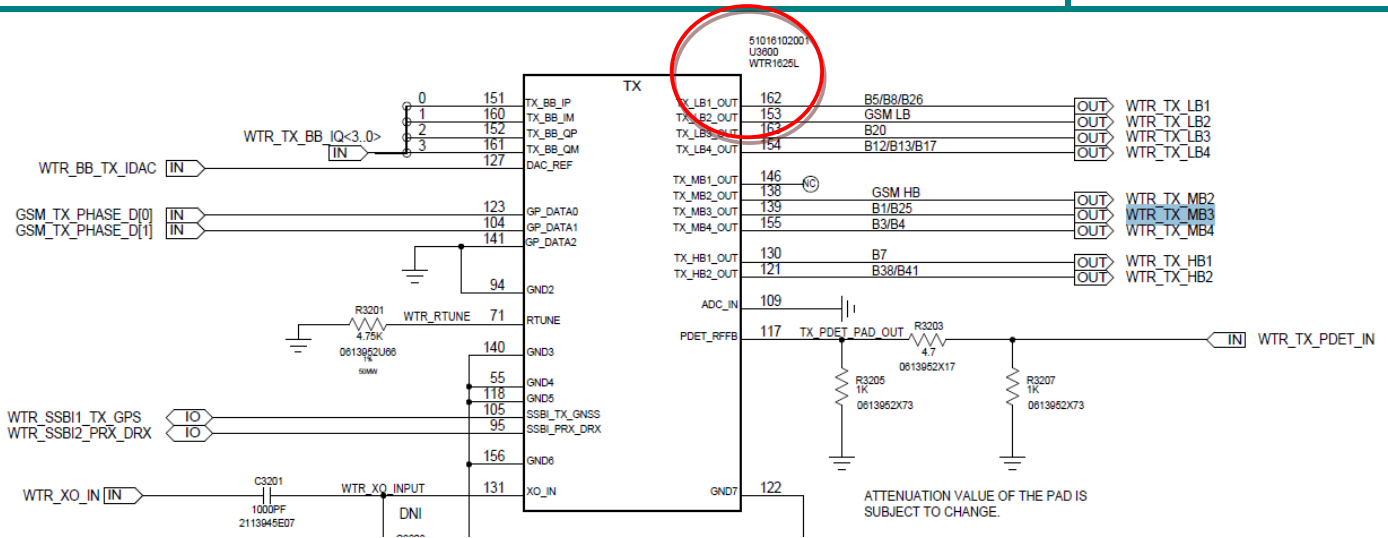


TITLE

# L3 Moto X RF Troubleshooting Guide

MODEL

RF Test



TITLE

# L3 Moto X RF Troubleshooting Guide

MODEL

RF Test

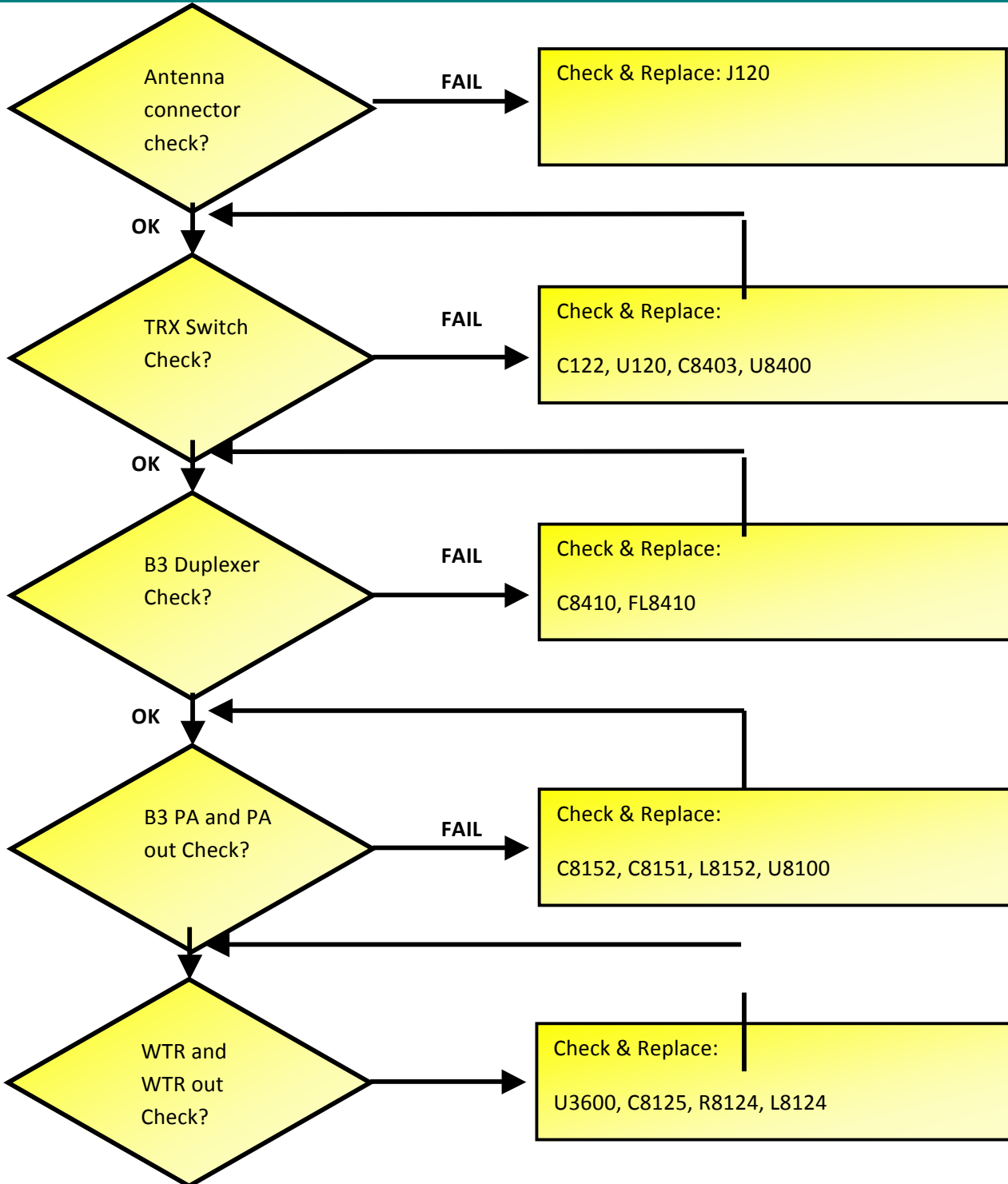


LTE & WCDMA B3 TX

OK

# L3 Moto X RF Troubleshooting Guide

RF Test

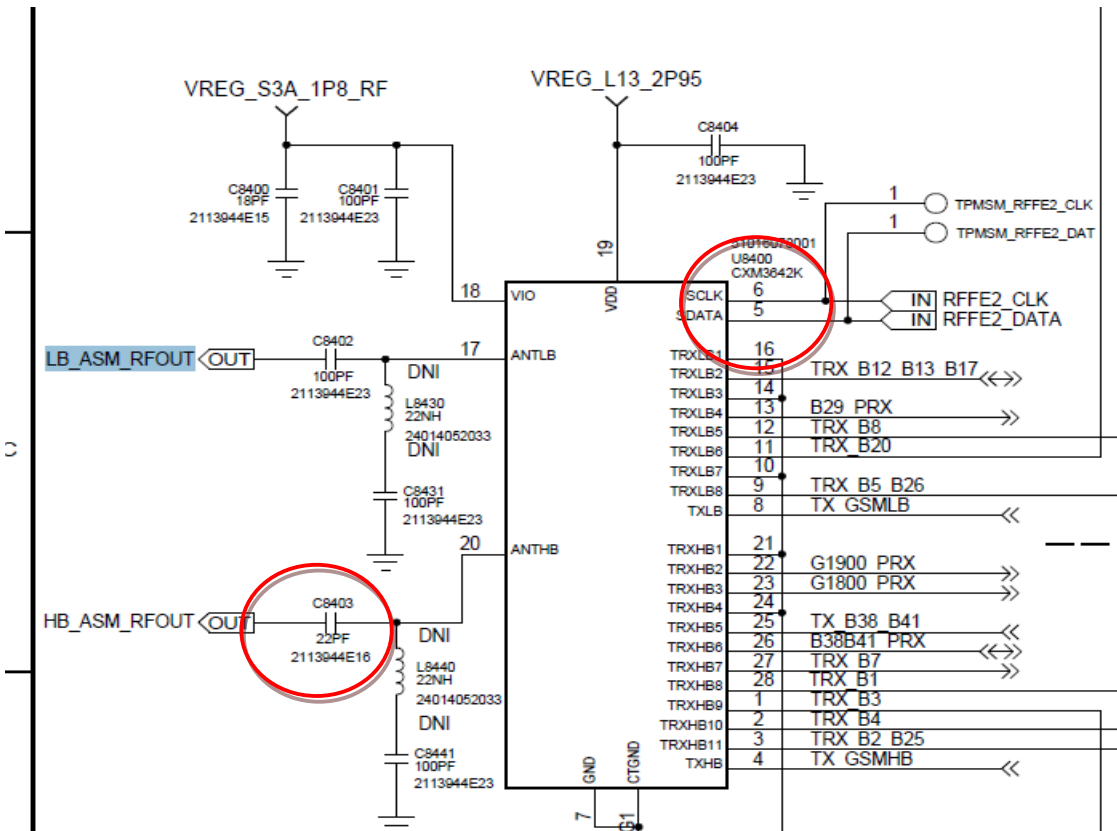
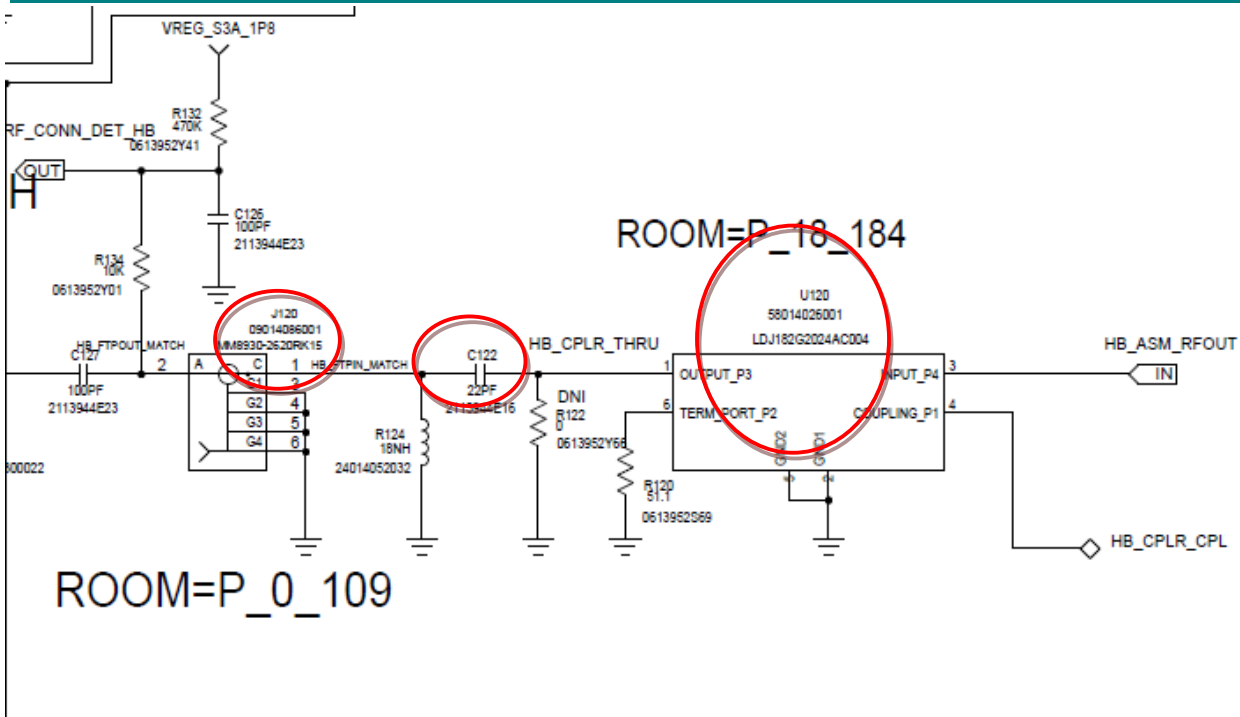


TITLE

# L3 Moto X RF Troubleshooting Guide

MODEL

RF Test

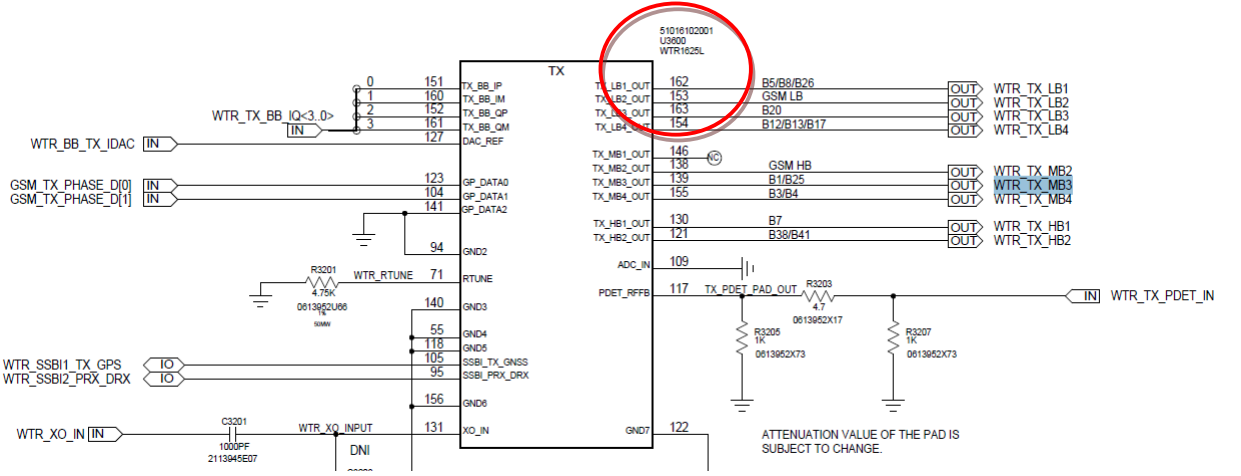
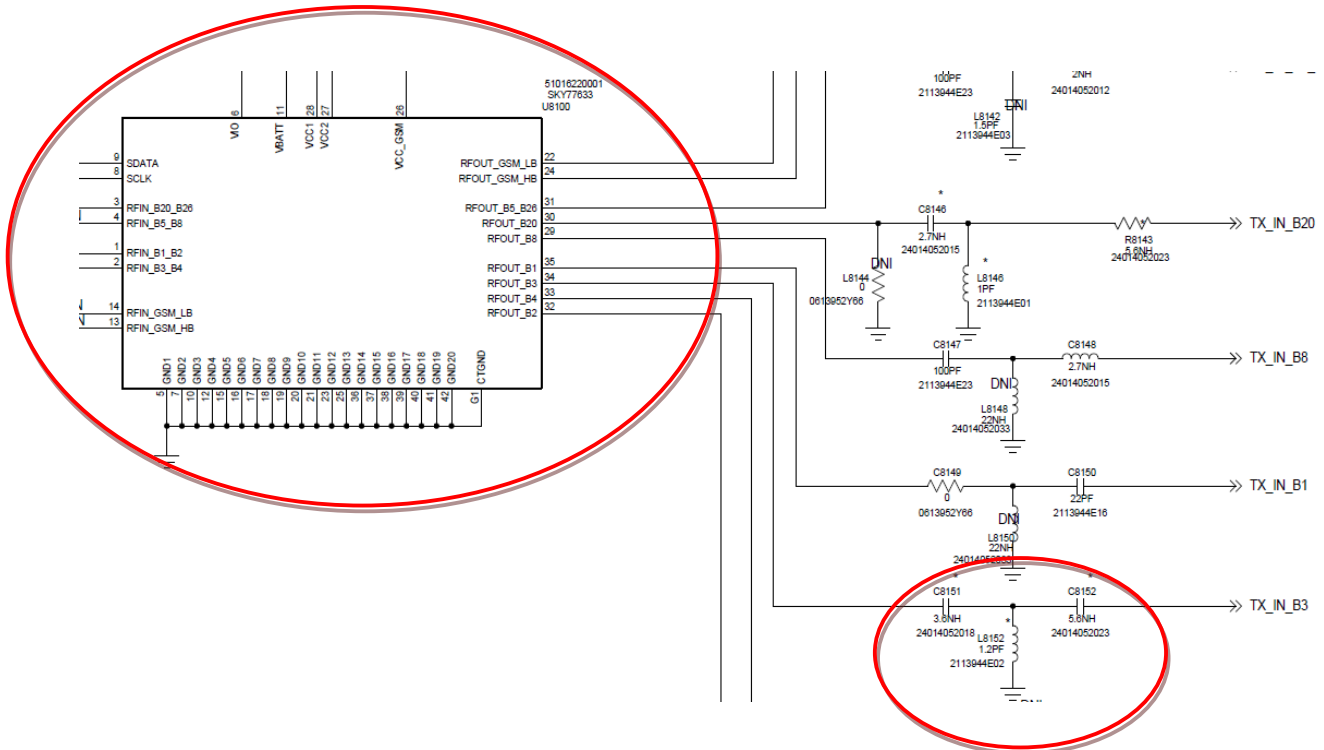
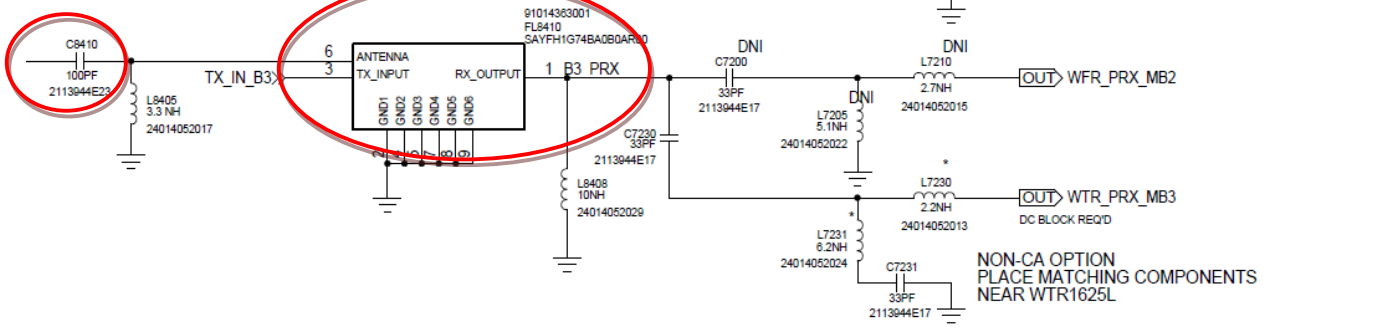


TITLE

# L3 Moto X RF Troubleshooting Guide

MODEL

RF Test

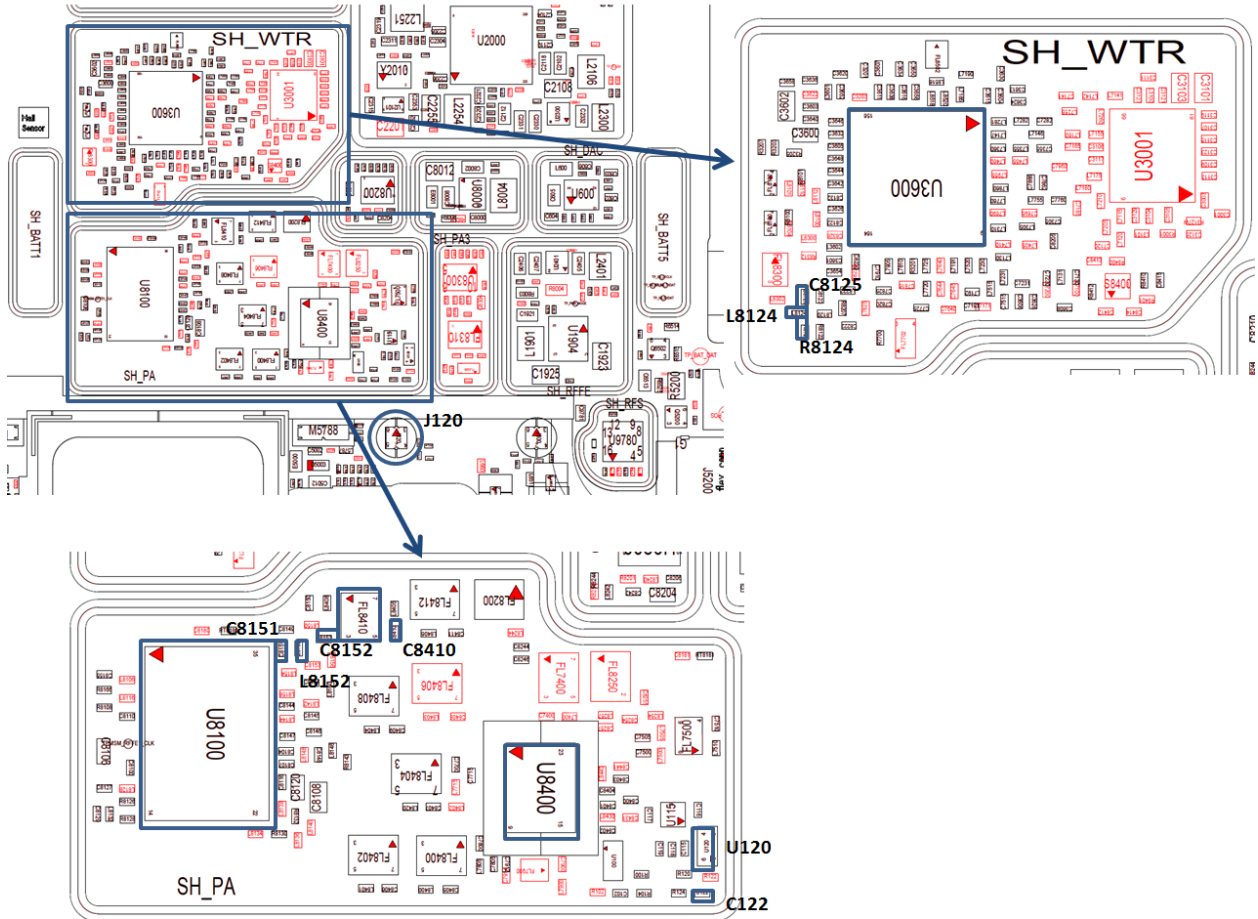
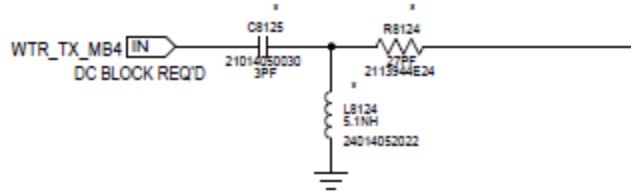


TITLE

# L3 Moto X RF Troubleshooting Guide

MODEL

RF Test

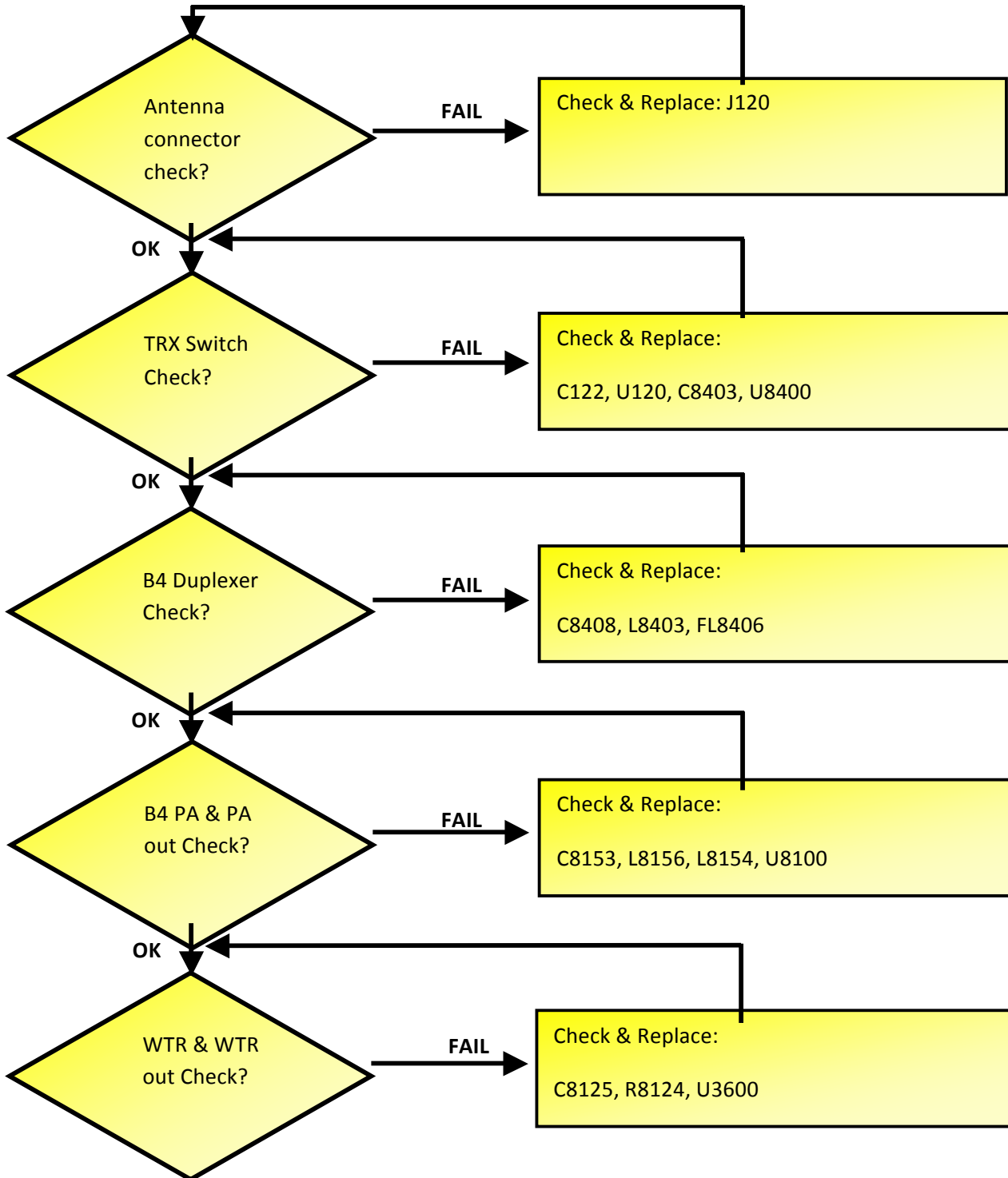




# L3 Moto X RF Troubleshooting Guide

RF Test

## LTE & WCDMA B4 TX



TITLE

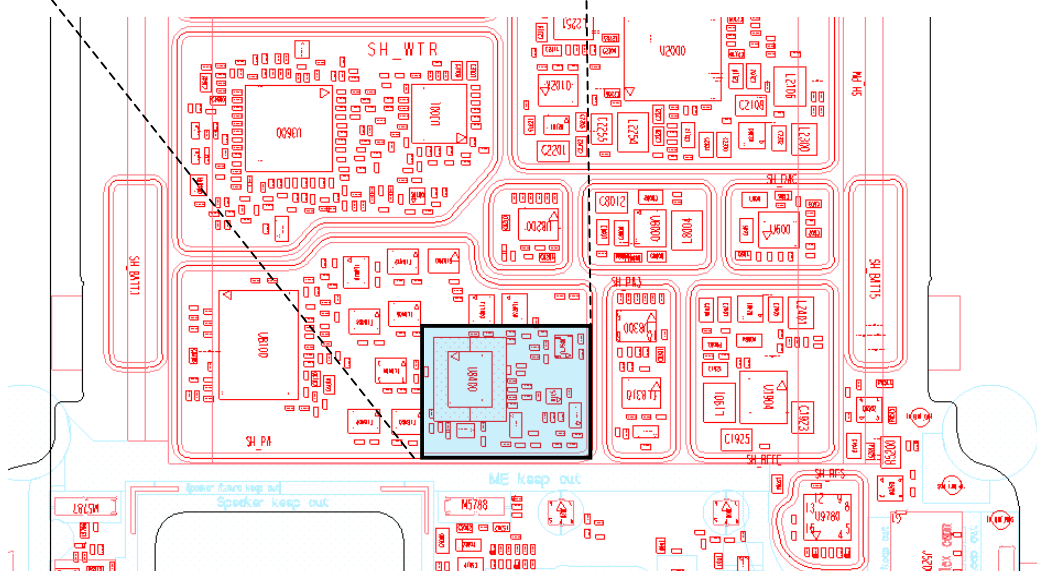
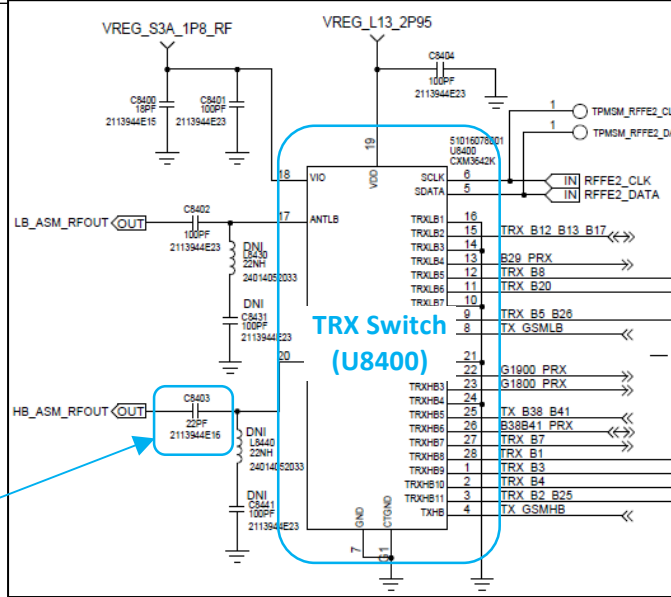
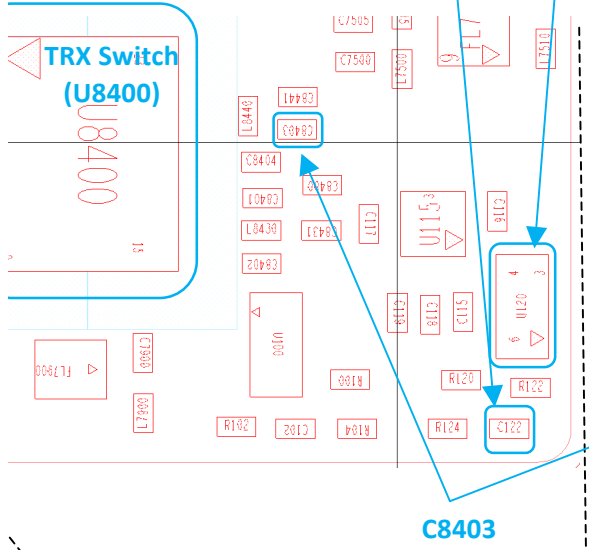
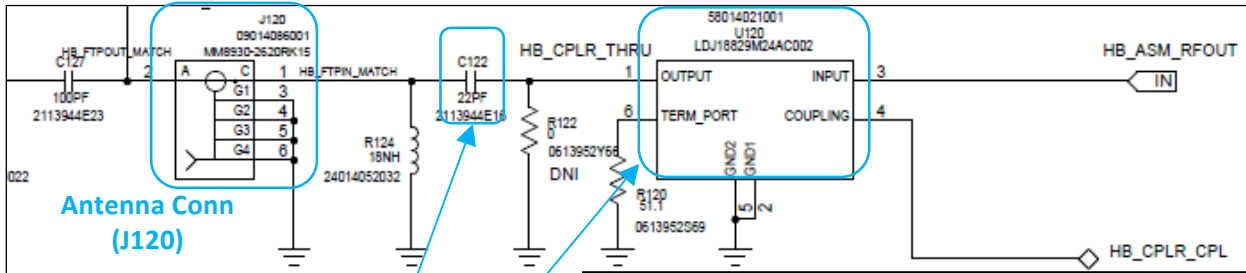
MODEL

# L3 Moto X RF Troubleshooting Guide

RF Test

## Antenna Connector Check: J120

## TRX Switch Checks: C122, U120, C8403, U8400

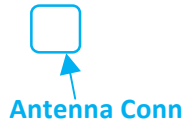


TITLE

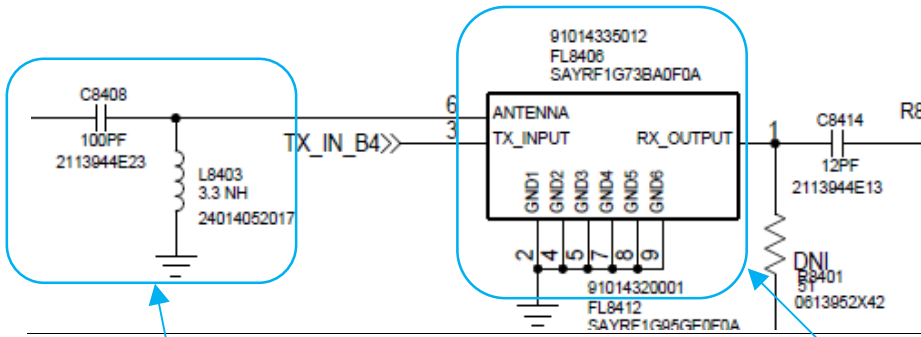
MODEL

# L3 Moto X RF Troubleshooting Guide

RF Test

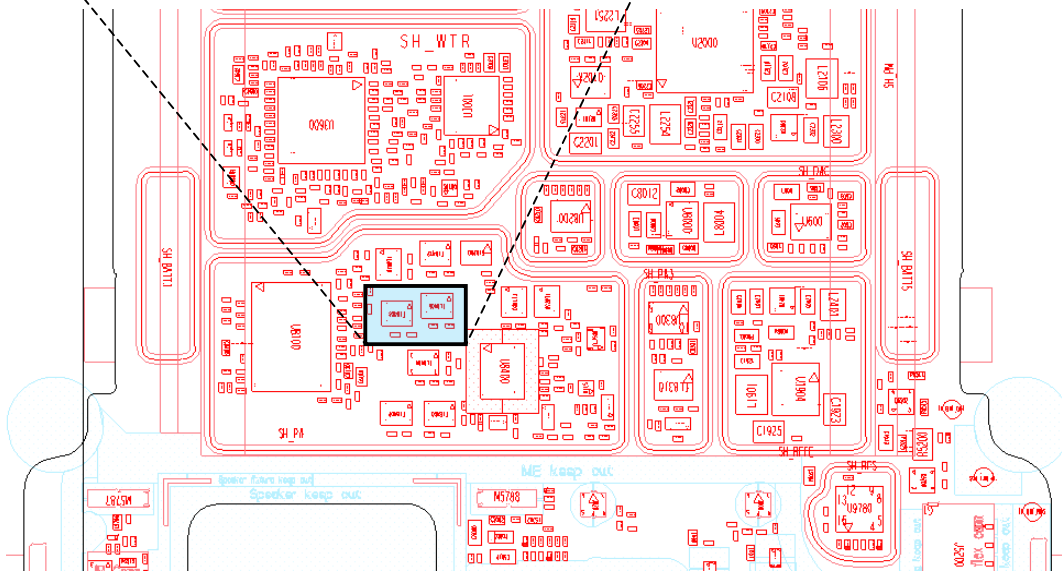
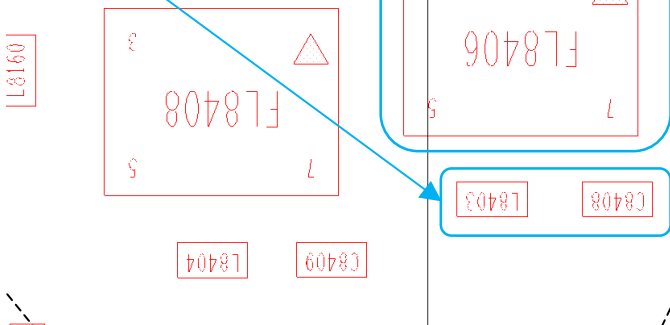


## B4 Duplexer Check: C8408, L8403, FL8406 (J120)



Duplexer Ant Port Matching  
(C8408 & L8403)

B4 Duplexer (FL8406)



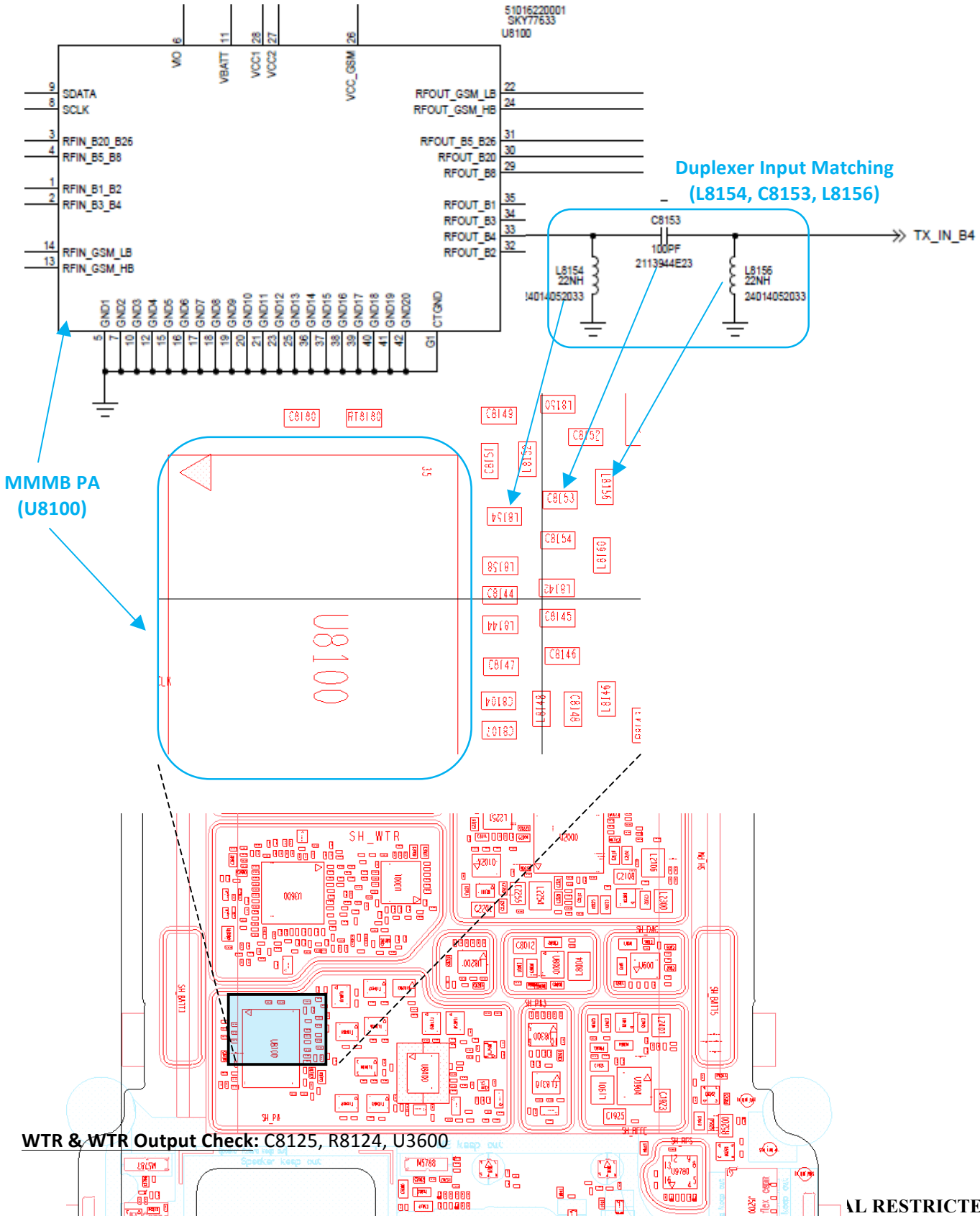
TITLE

MODEL

# L3 Moto X RF Troubleshooting Guide

RF Test

## B4 PA & PA Out Check: C8153, L8156, L8154, U8100

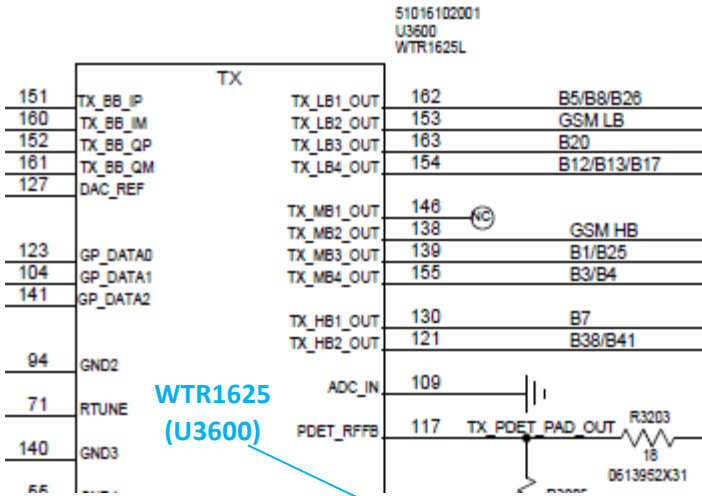


TITLE

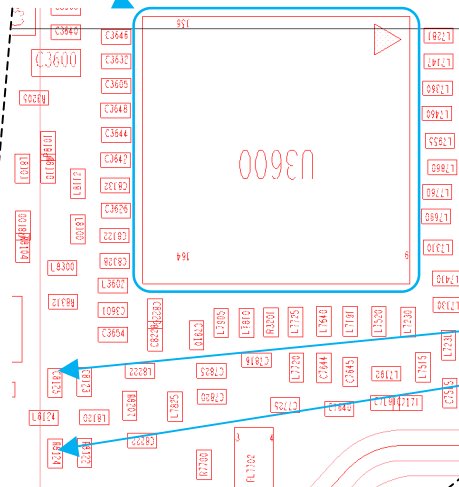
# L3 Moto X RF Troubleshooting Guide

MODEL

RF Test

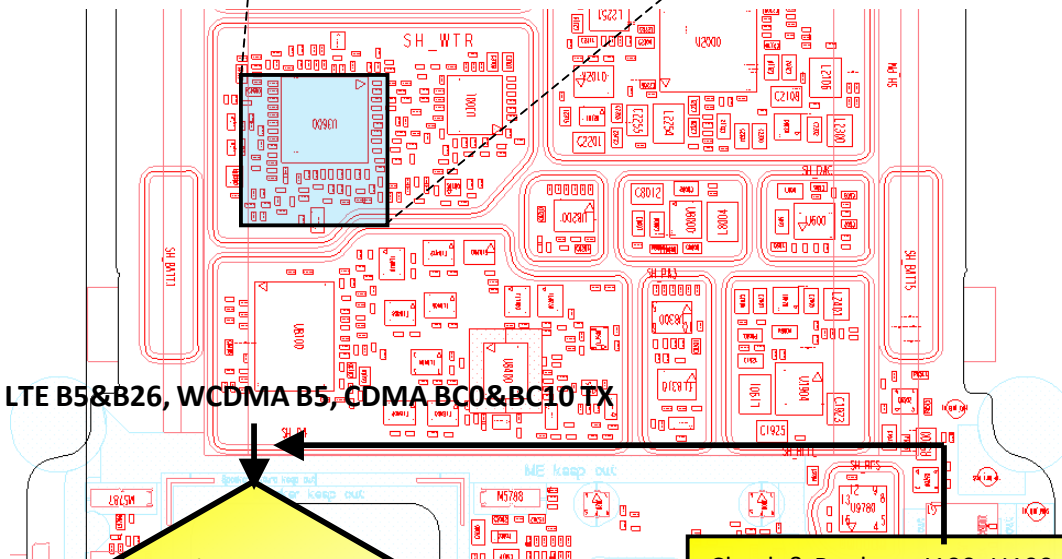


WTR1625 (U3600)



WTR Output Matching

- C8125
- R8124
- L8124 = DNI



LTE B5&B26, WCDMA B5, CDMA BC0&BC10 TX

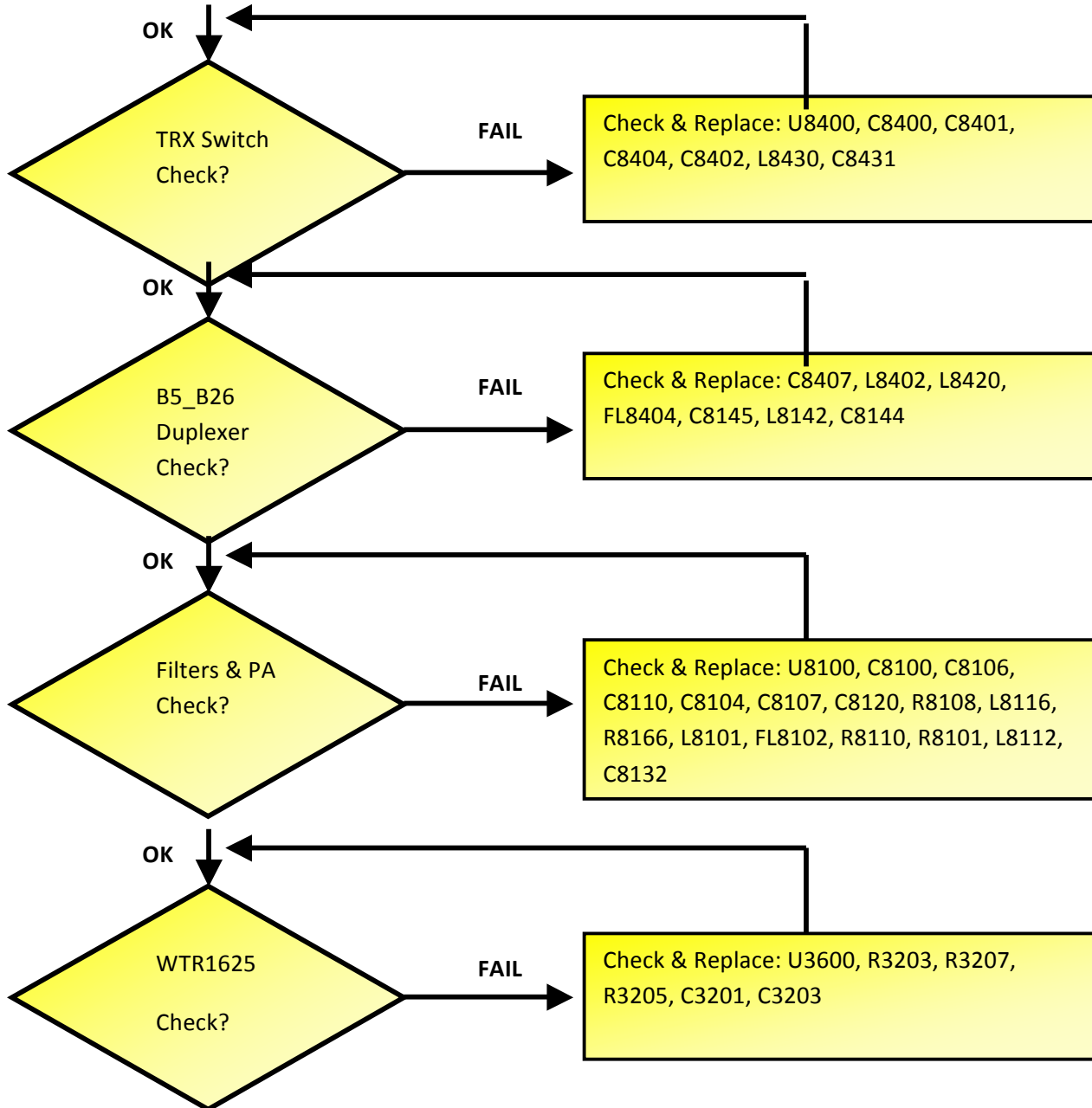
Antenna connector & Coupler check?

FAIL

Check & Replace: J100, U100, R100, C102, R102, R104

# L3 Moto X RF Troubleshooting Guide

RF Test



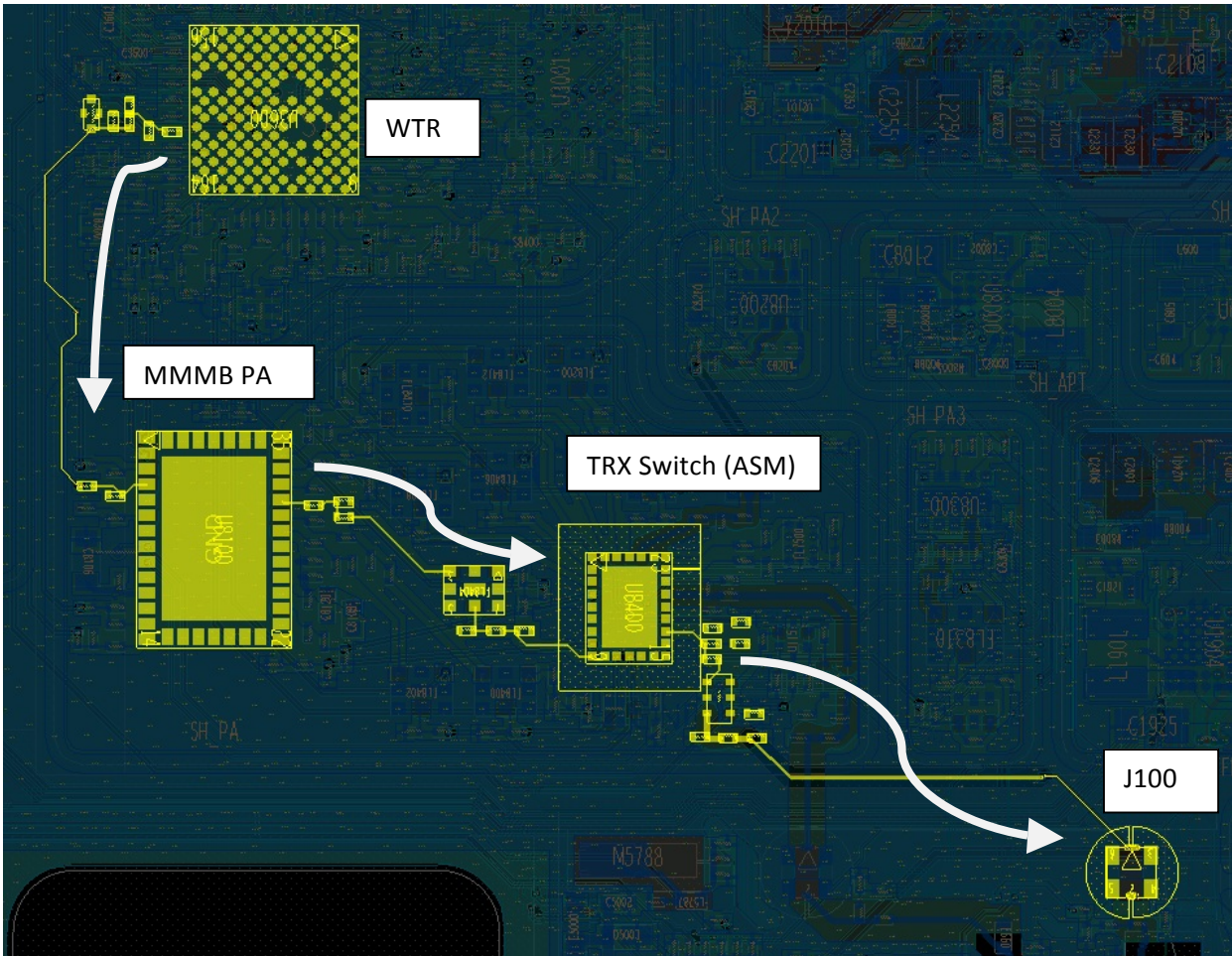
TITLE

# L3 Moto X RF Troubleshooting Guide

MODEL

RF Test

RF Path from WTR to PA to ASM to RF Jack.



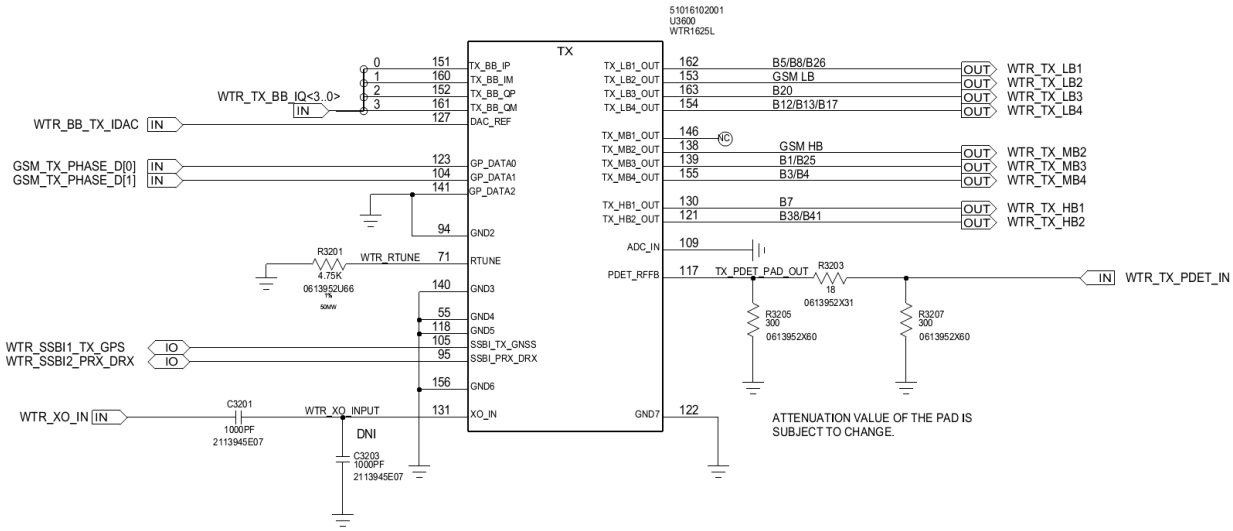
WTR TX Output Schematic:

TITLE

# L3 Moto X RF Troubleshooting Guide

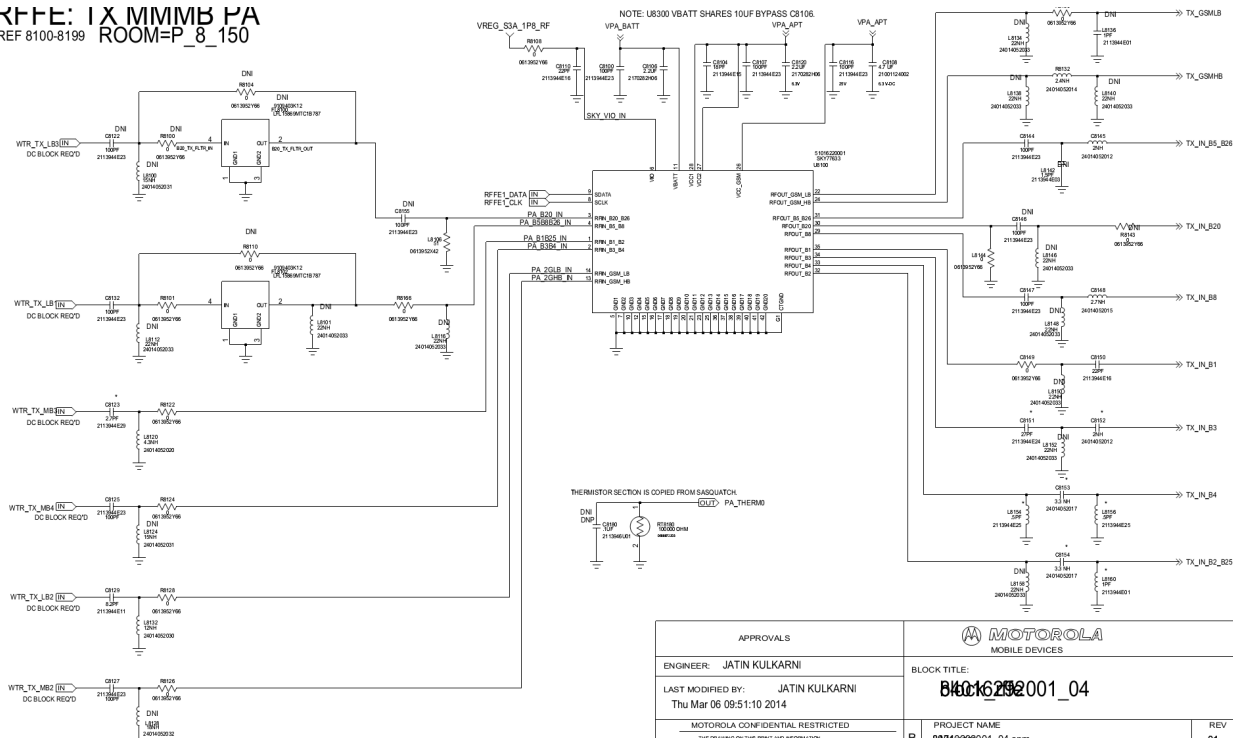
MODEL

RF Test



TX input and output of RF MIMMB PA:

RFFE: 1X MIMMB PA  
REF 8100-8199 ROOM=P\_8\_150



TX RF input and output of TRX switch (Antenna Switch Module) ASM.



TITLE

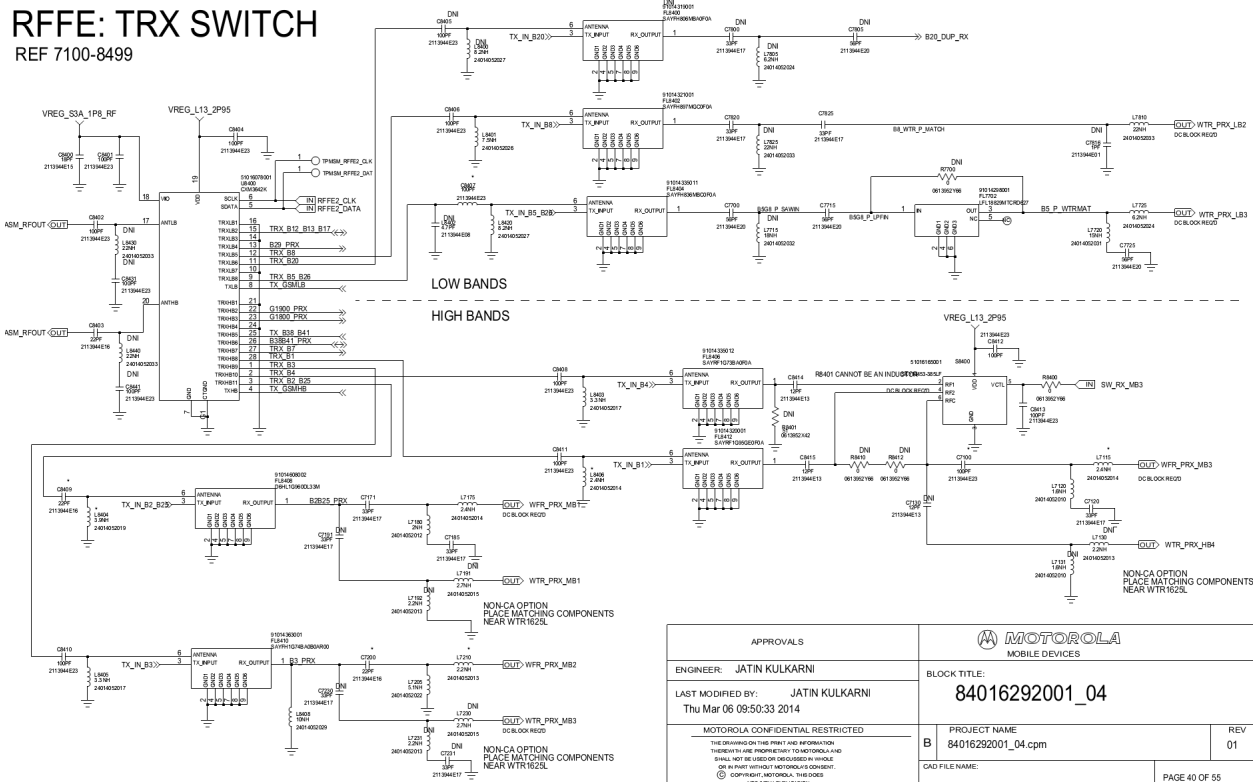
MODEL

# L3 Moto X RF Troubleshooting Guide

RF Test

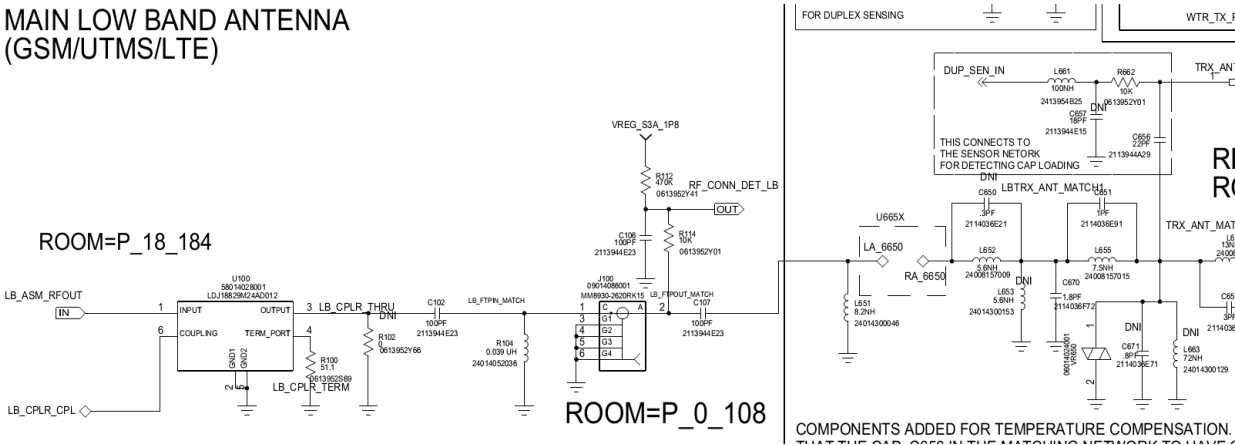
## RFFE: TRX SWITCH

REF 7100-8499



### TX coupler and Antenna Jack for Conducted Power:

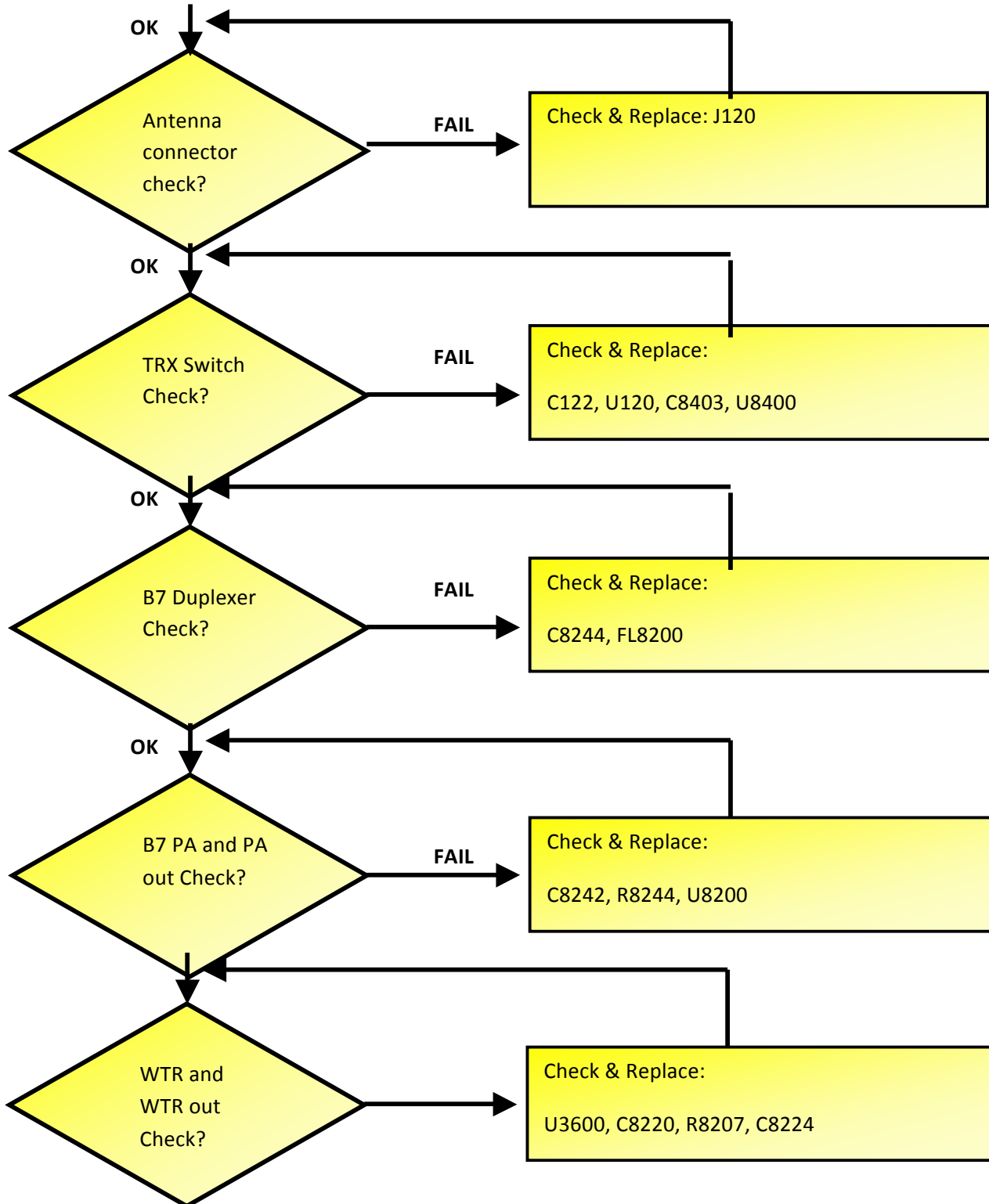
#### MAIN LOW BAND ANTENNA (GSM/UTMS/LTE)



# L3 Moto X RF Troubleshooting Guide

RF Test

## LTE B7 TX

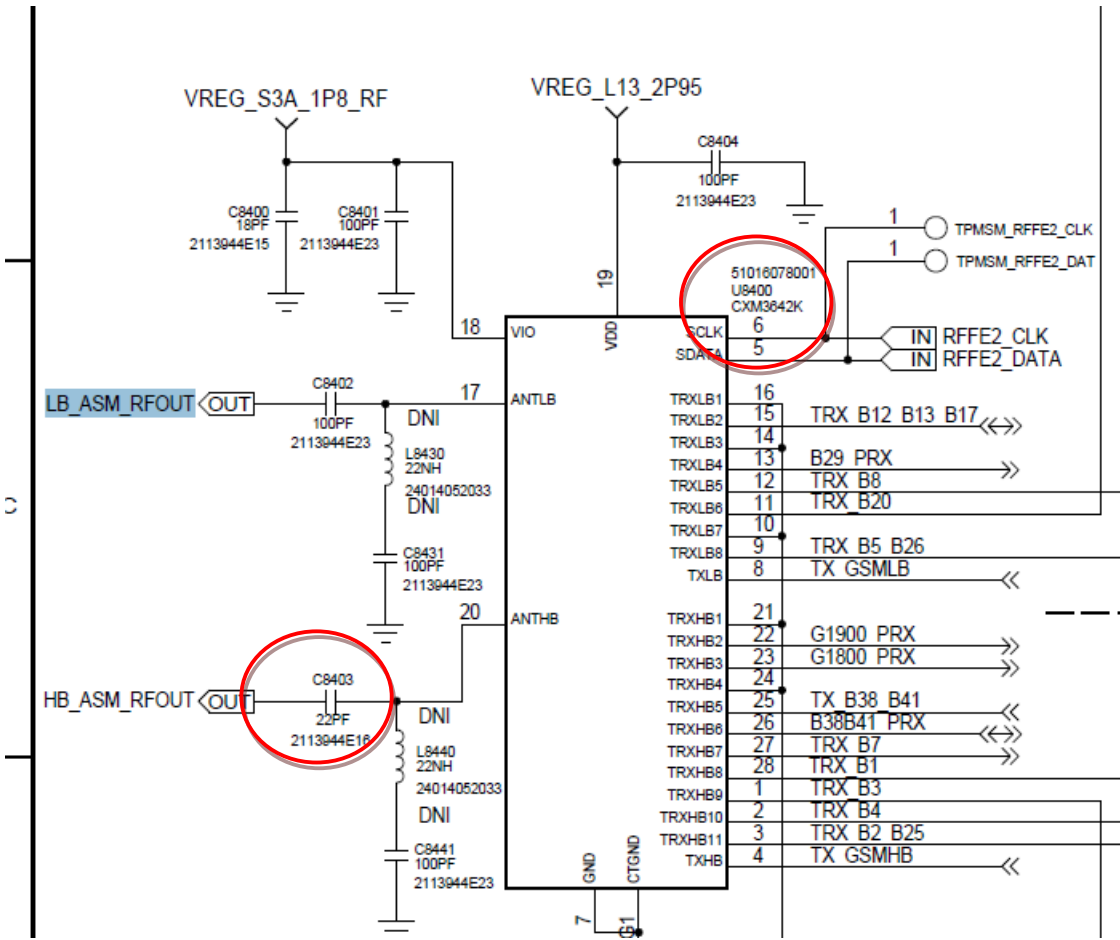
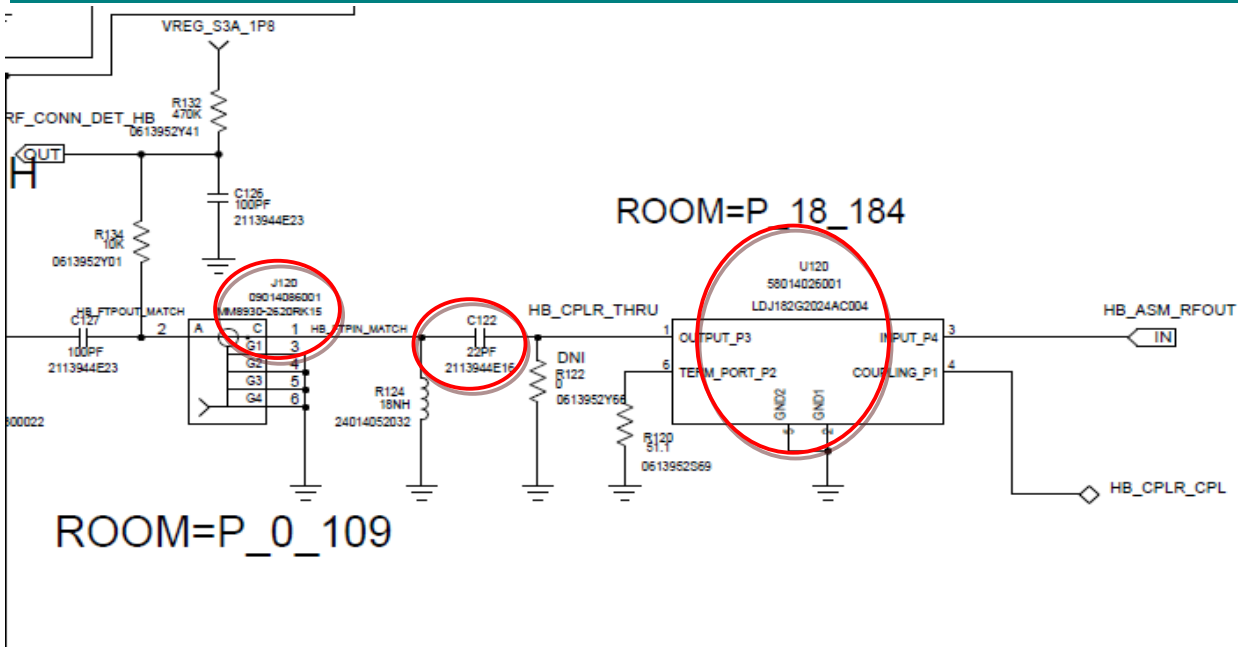


TITLE

**L3 Moto X RF Troubleshooting Guide**

MODEL

**RF Test**

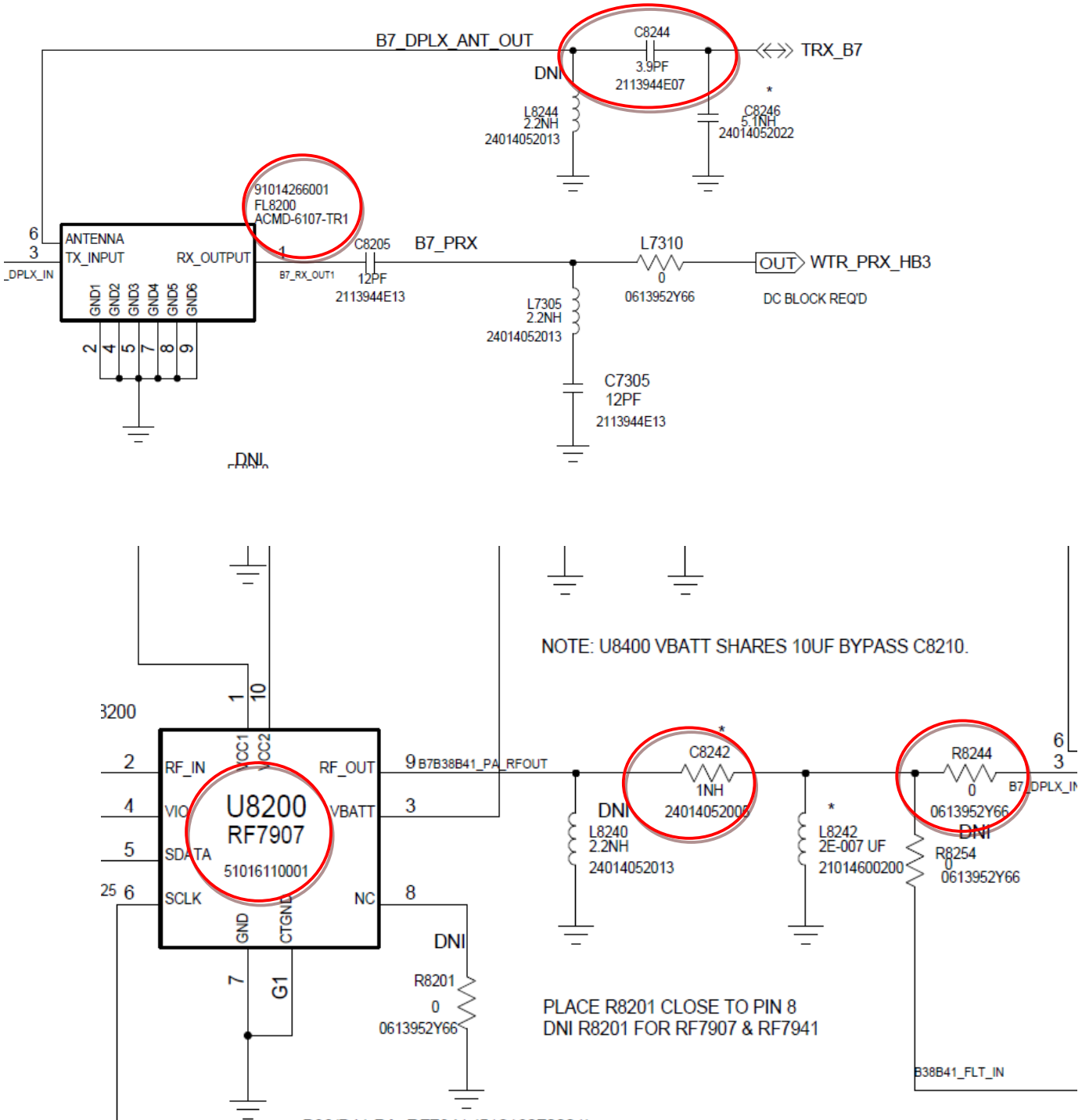


TITLE

MODEL

# L3 Moto X RF Troubleshooting Guide

RF Test

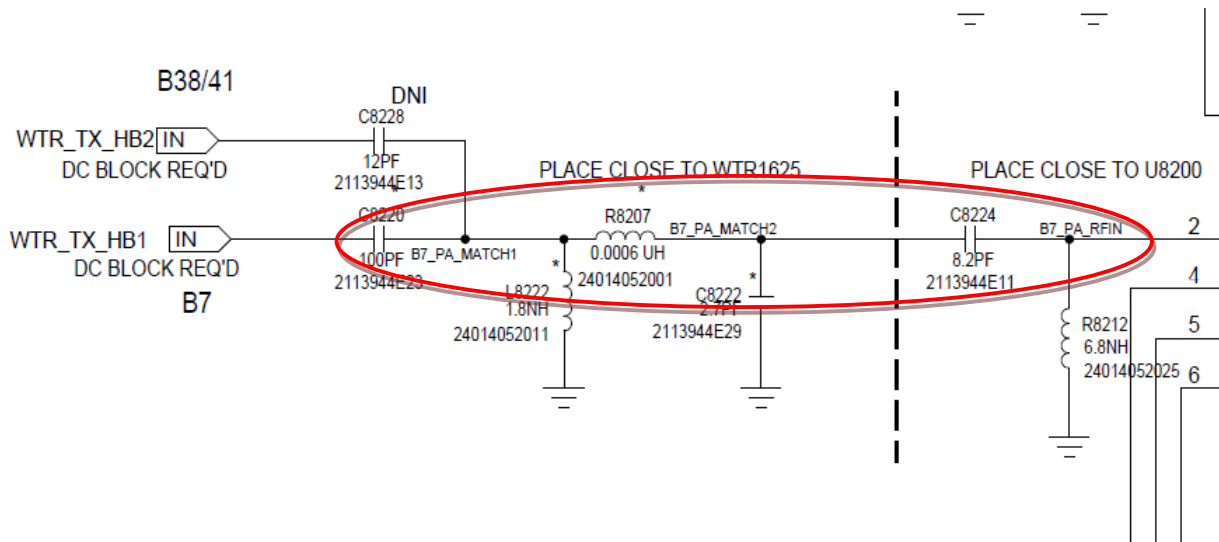
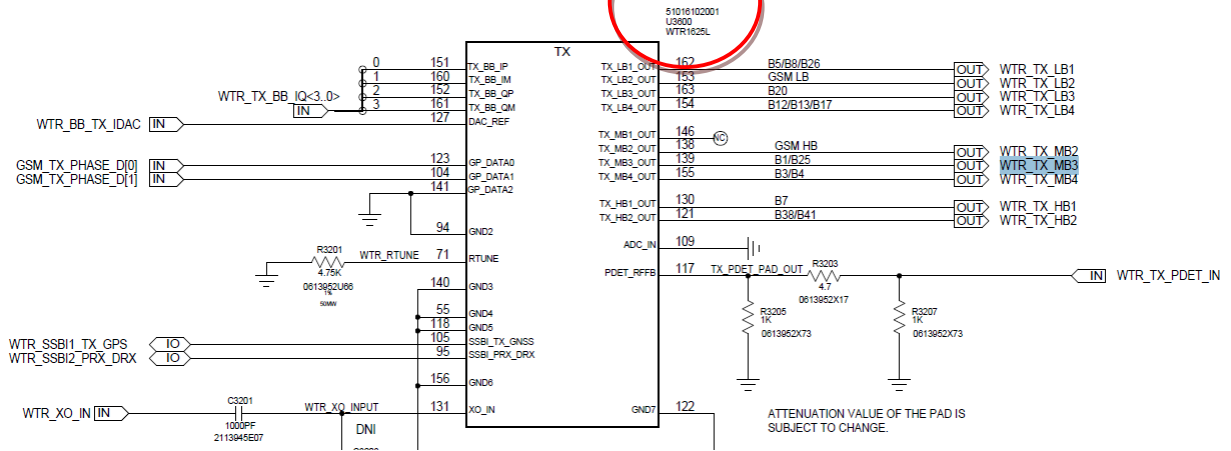


TITLE

# L3 Moto X RF Troubleshooting Guide

MODEL

RF Test

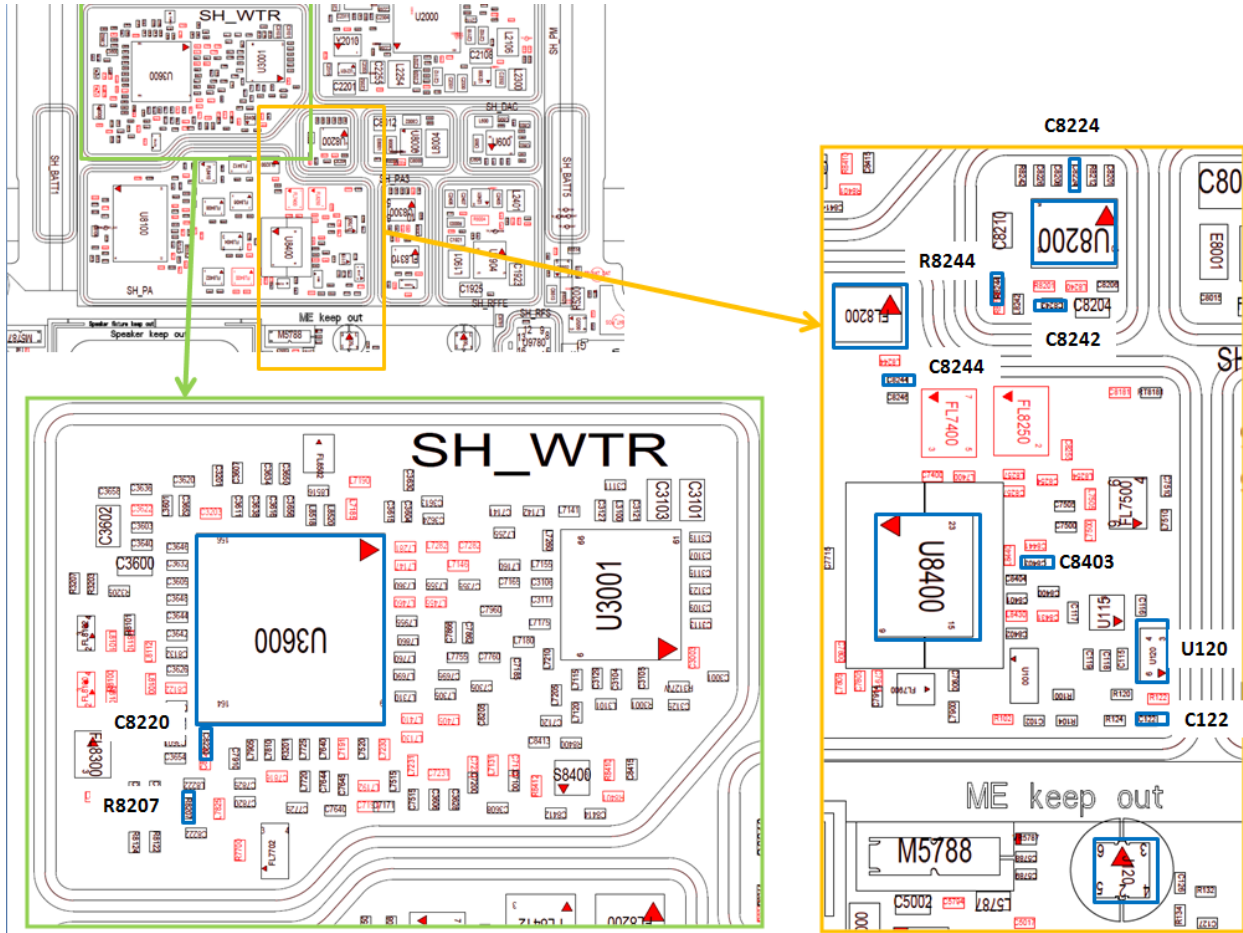


TITLE

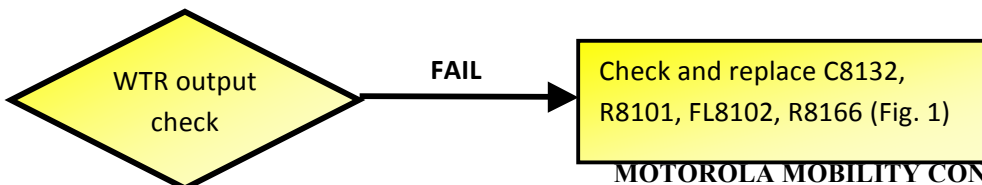
# L3 Moto X RF Troubleshooting Guide

MODEL

RF Test

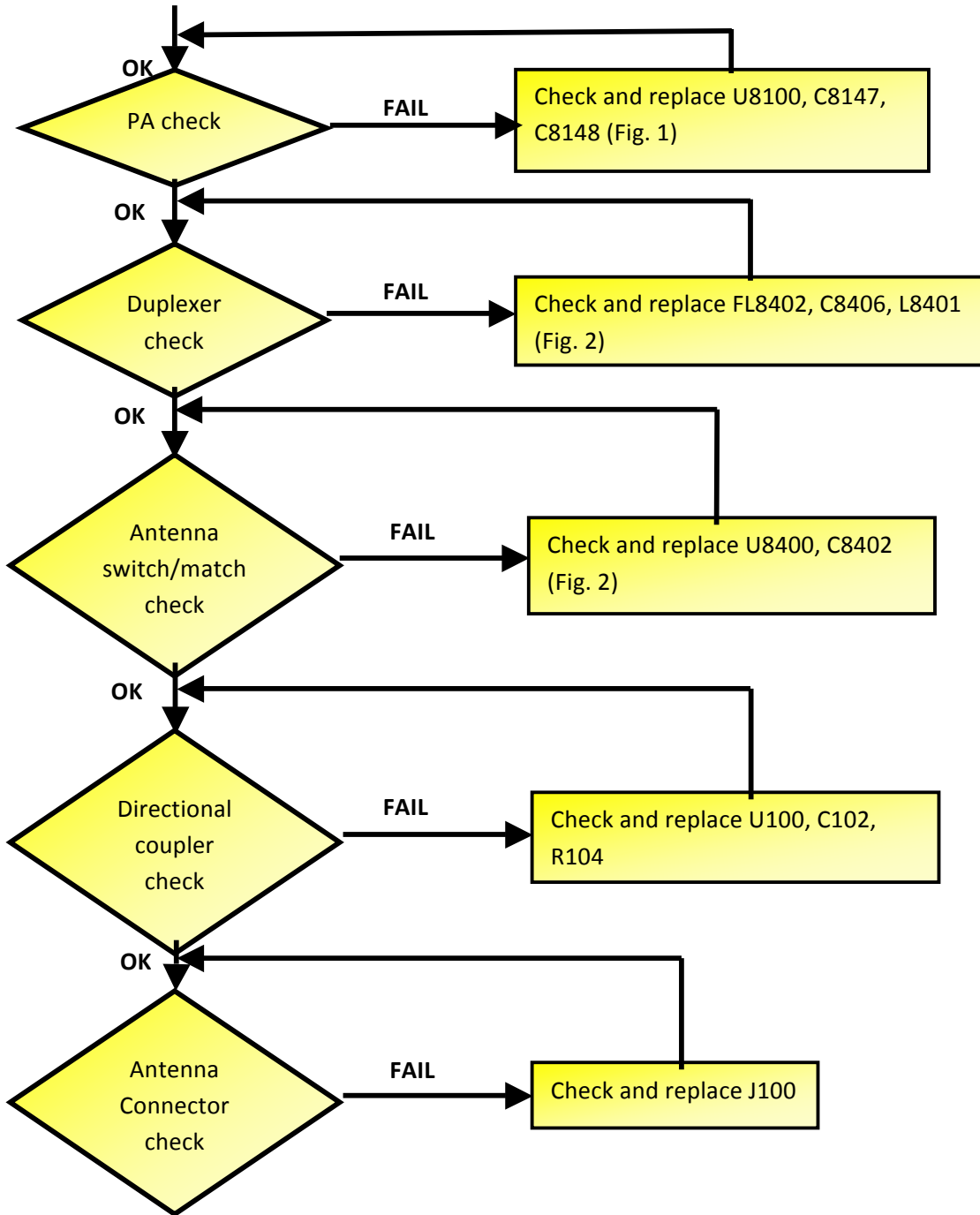


LTE & WCDMA B8 TX



# L3 Moto X RF Troubleshooting Guide

RF Test

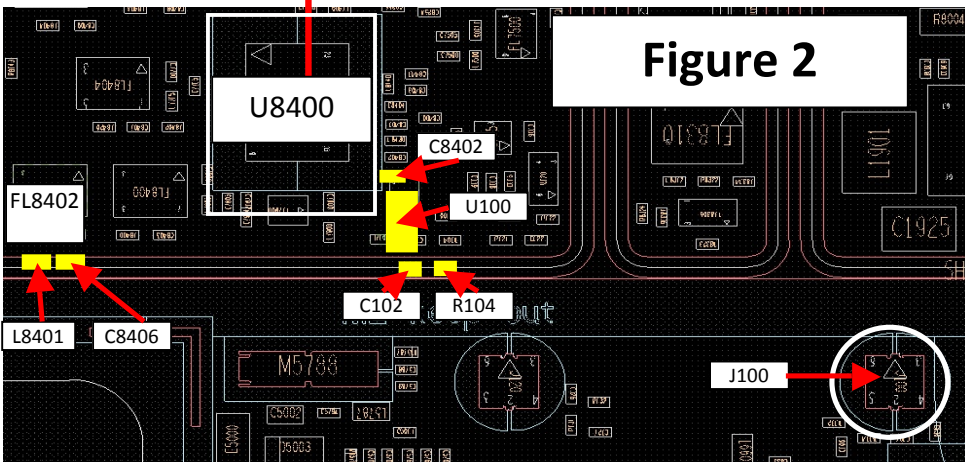
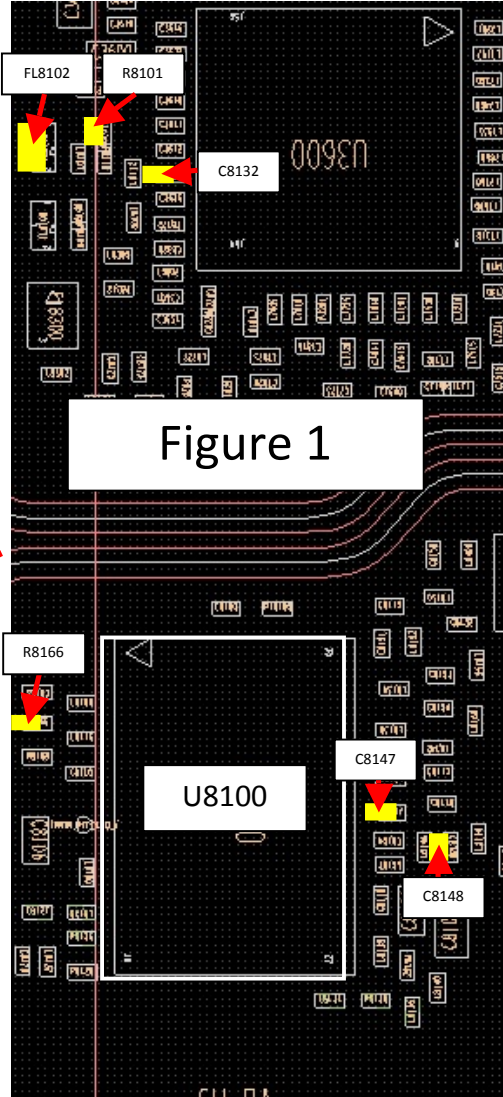
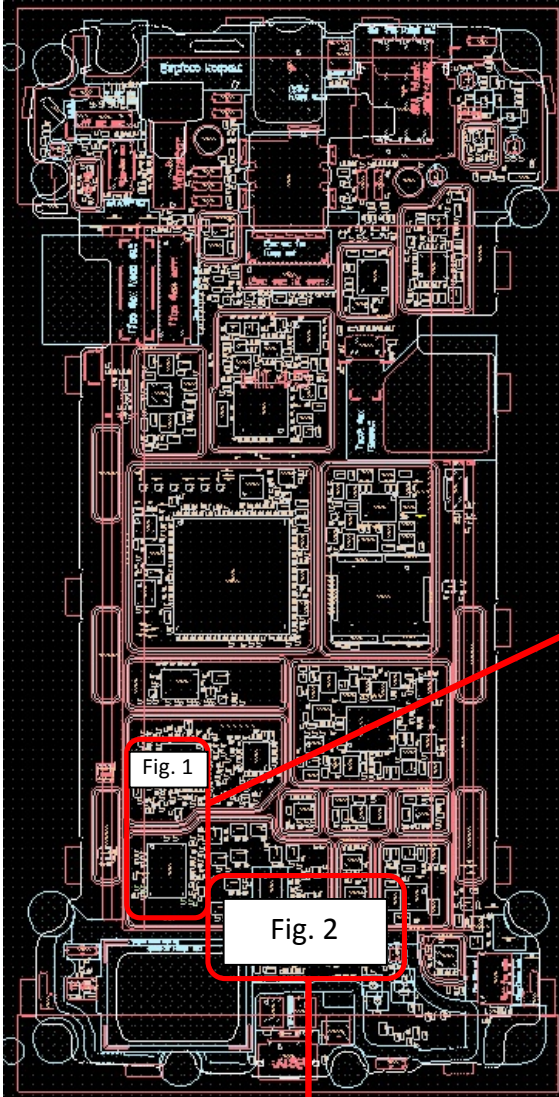


TITLE

# L3 Moto X RF Troubleshooting Guide

MODEL

RF Test





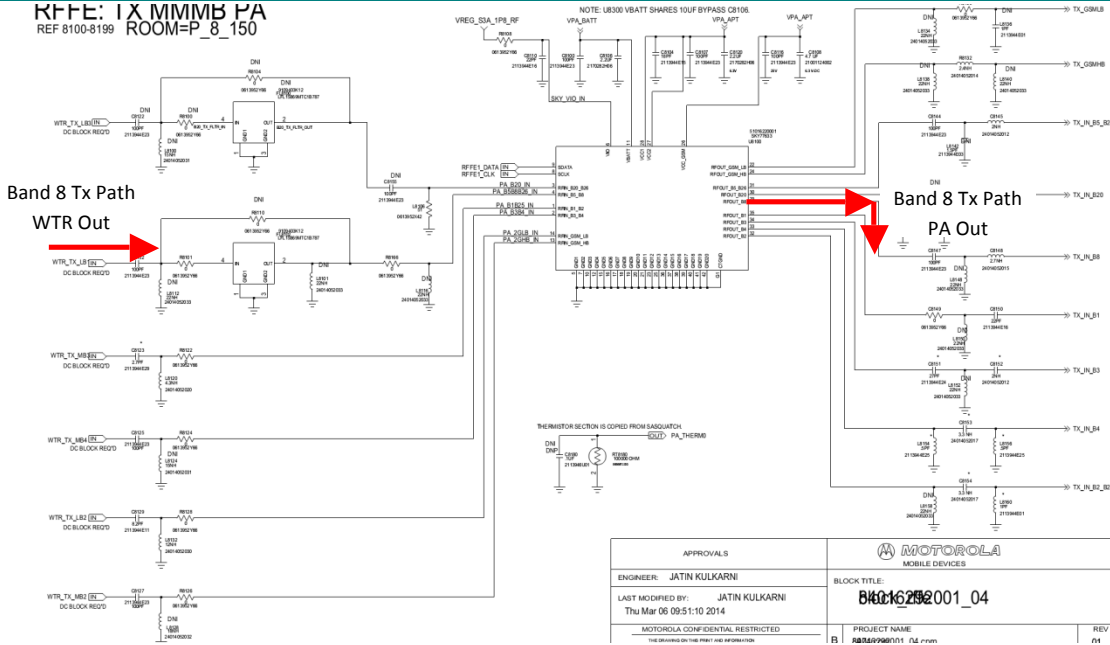
TITLE

MODEL

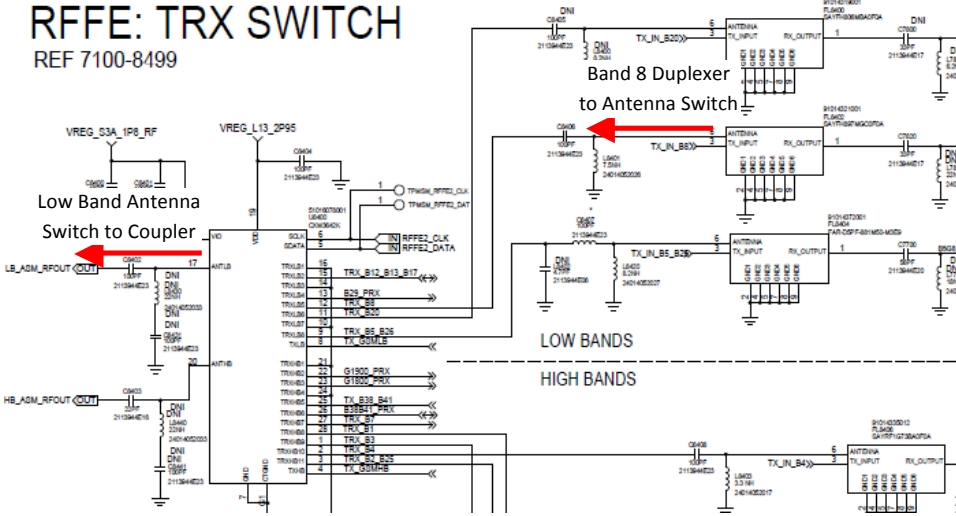
# L3 Moto X RF Troubleshooting Guide

RF Test

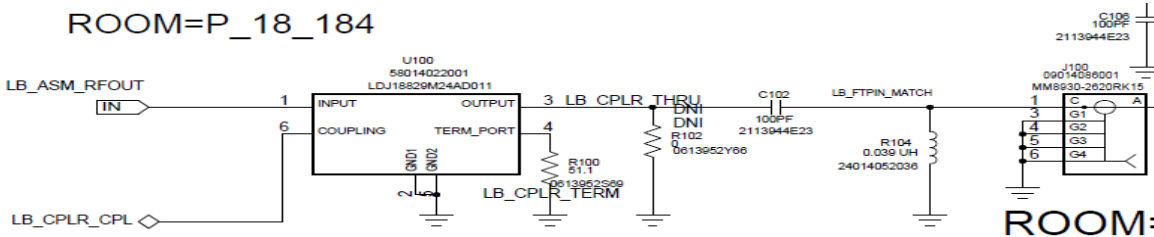
RFFE: IX MMBB PA  
REF 8100-8199 ROOM=P\_8\_150



RFFE: TRX SWITCH  
REF 7100-8499



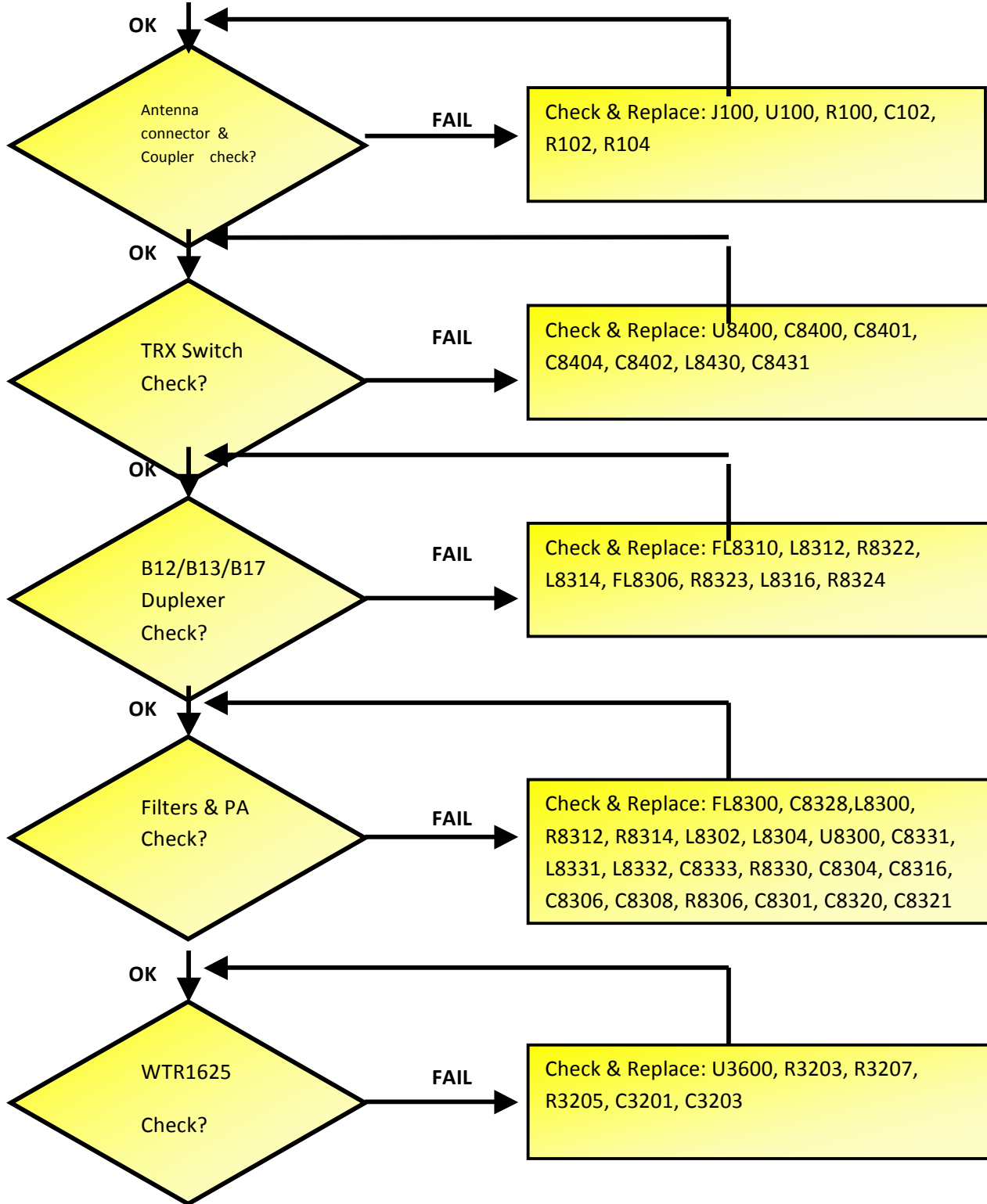
ROOM=P\_18\_184



LTE B12, B13, B17 TX

# L3 Moto X RF Troubleshooting Guide

RF Test



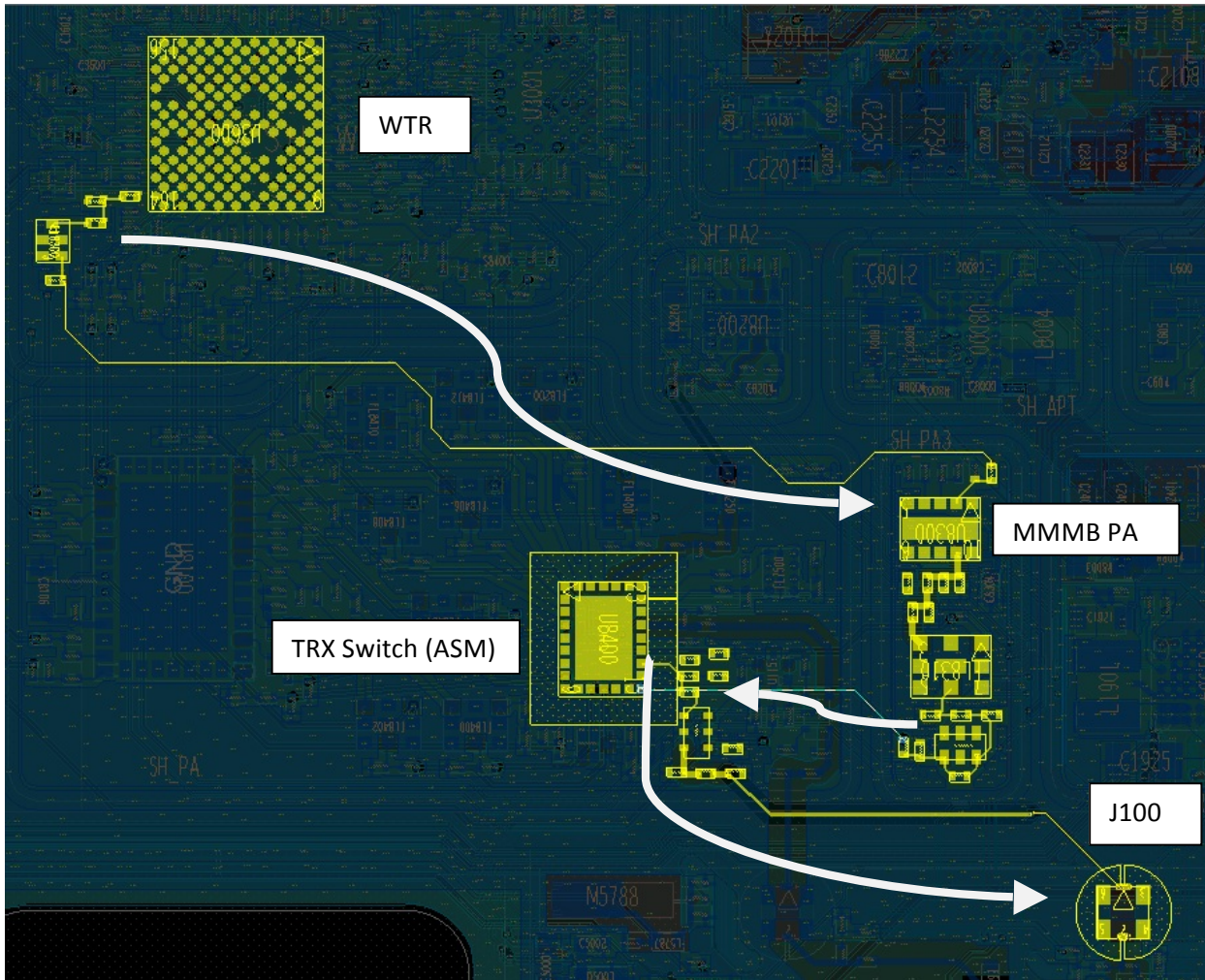
TITLE

# L3 Moto X RF Troubleshooting Guide

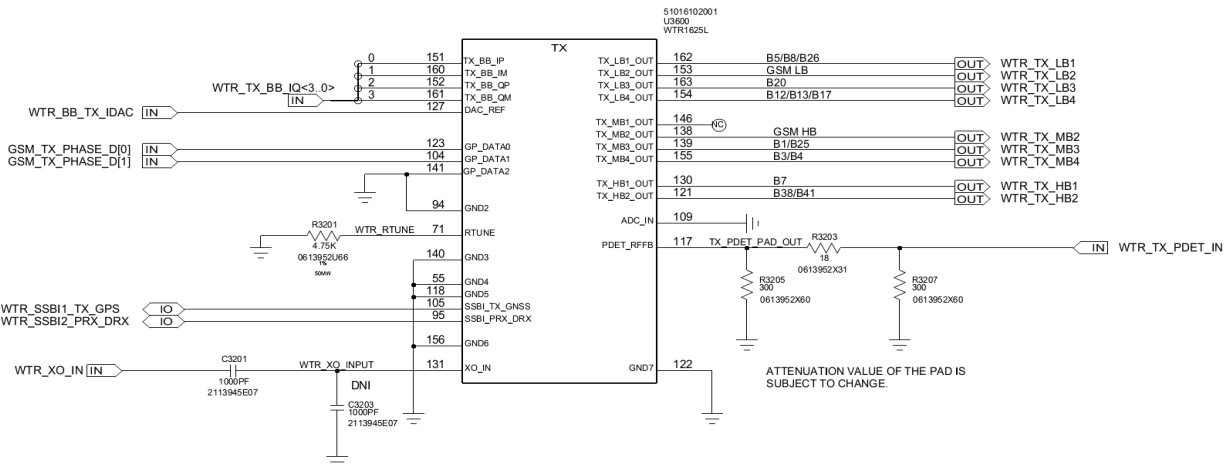
MODEL

RF Test

RF Path from WTR to PA to ASM to RF Jack.



WTR TX Output Schematic:



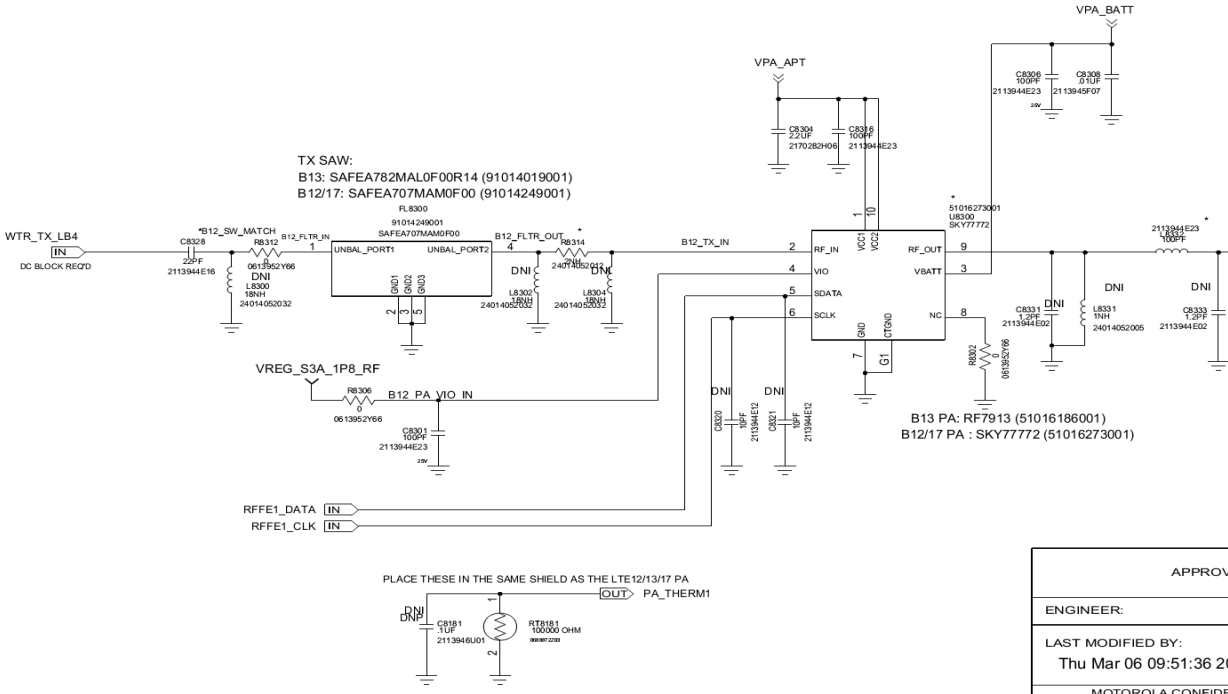
TX input and output of RF PA:

TITLE

# L3 Moto X RF Troubleshooting Guide

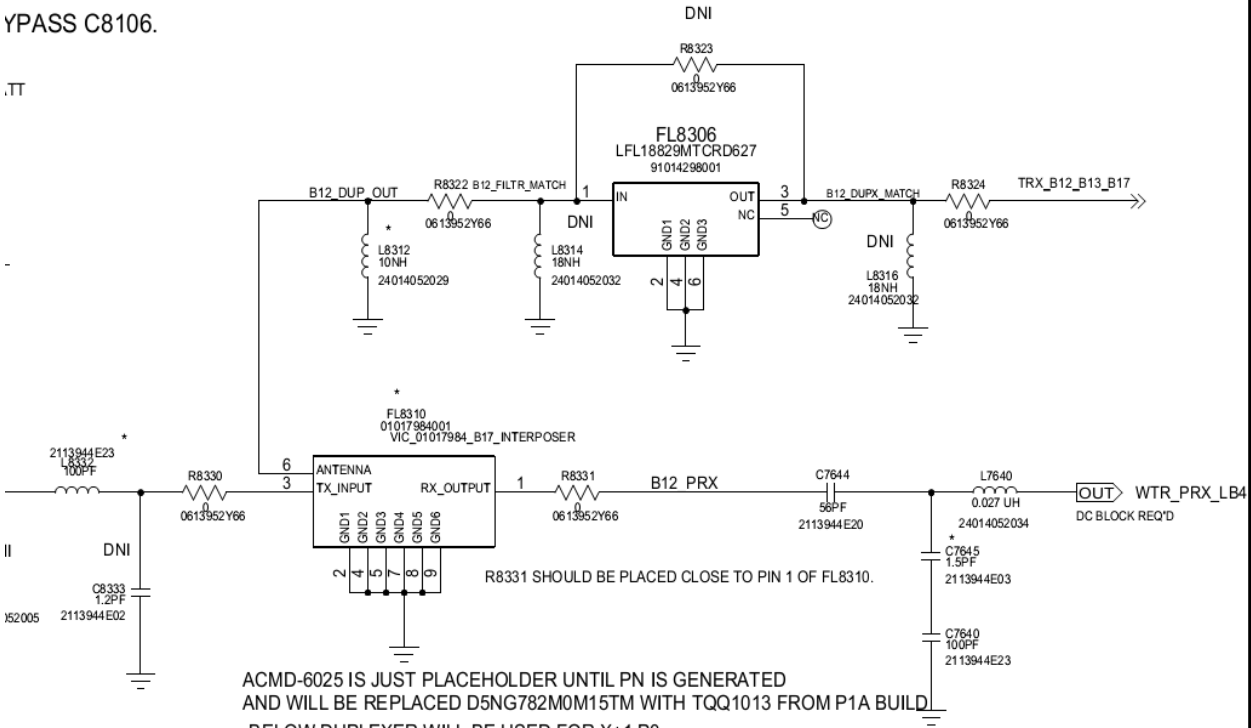
MODEL

RF Test



YPASS C8106.

.TT



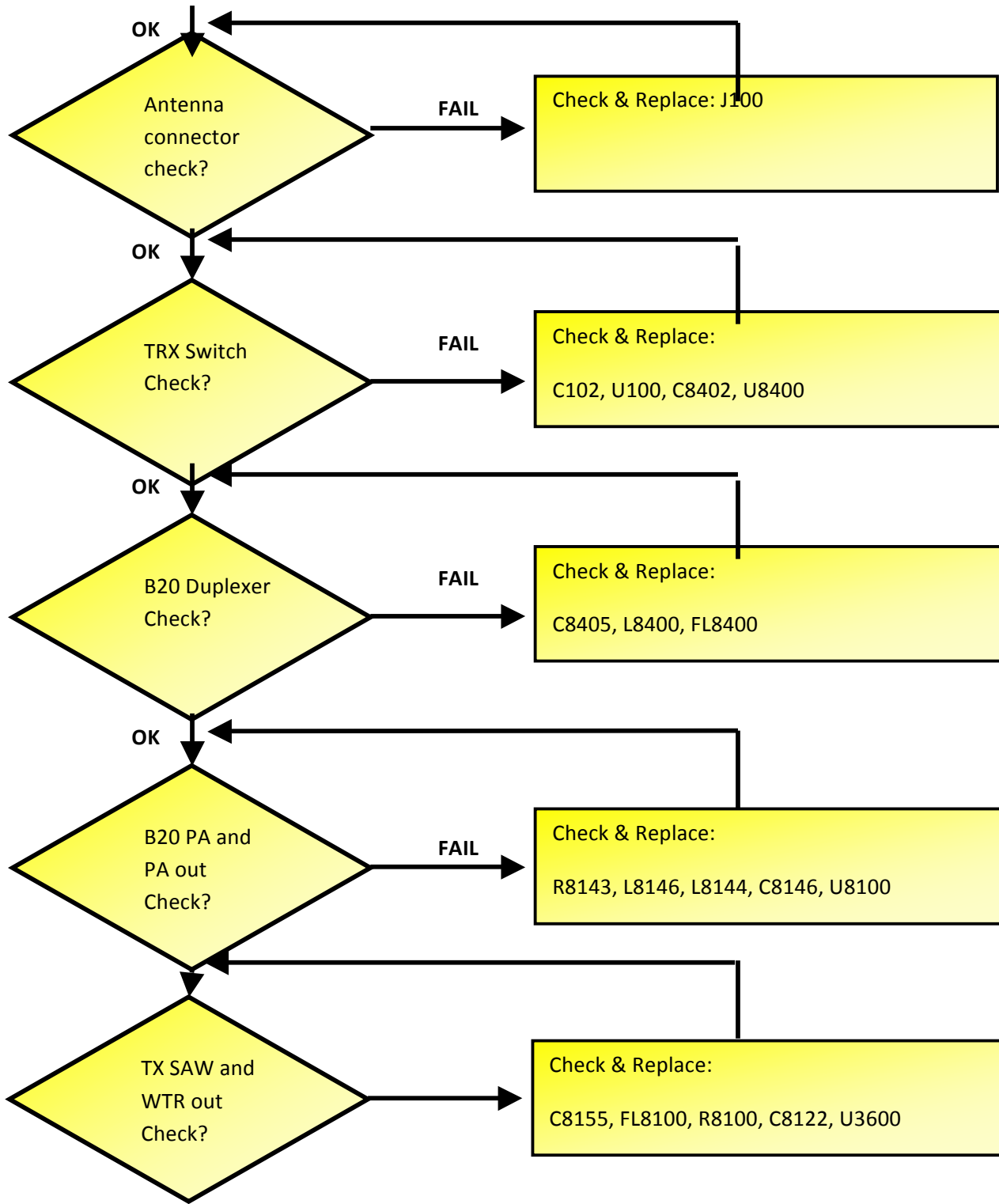
TX RF input and output of TRX switch (Antenna Switch Module) ASM.



# L3 Moto X RF Troubleshooting Guide

RF Test

LTE B20 TX EU SKU

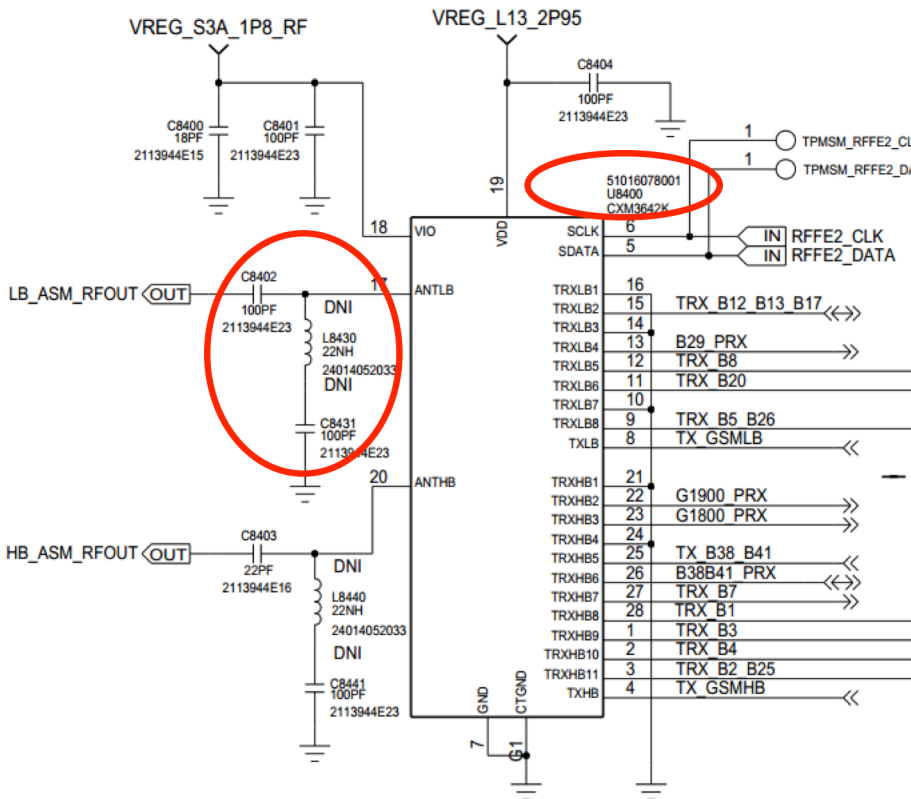
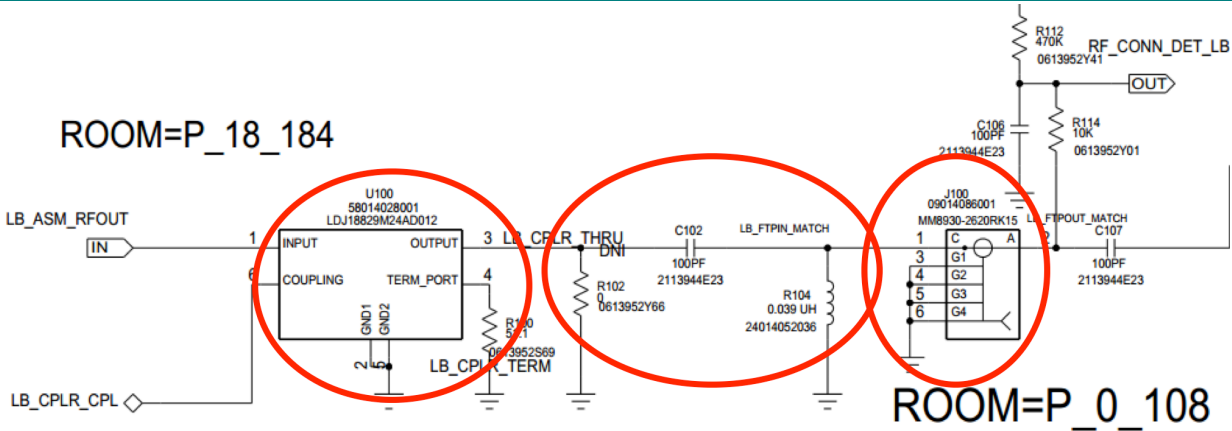


TITLE

L3 Moto X RF Troubleshooting Guide

MODEL

RF Test



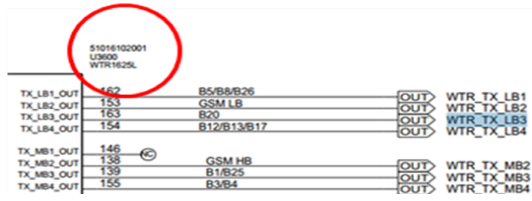
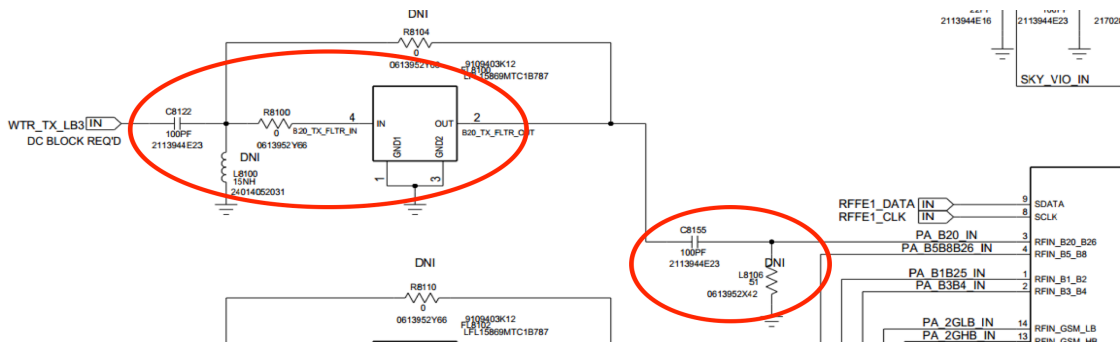
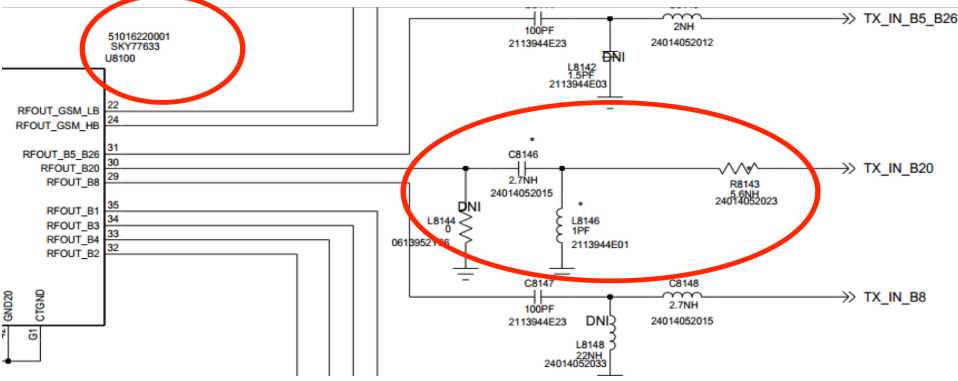
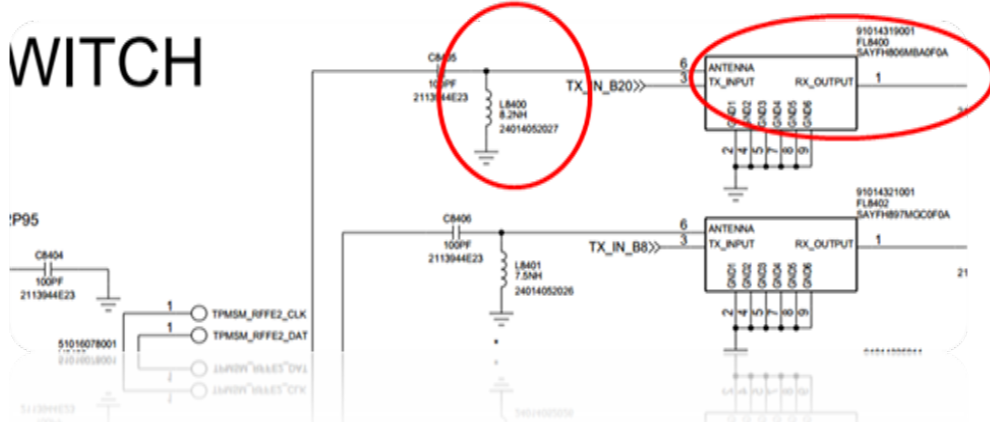
TITLE

# L3 Moto X RF Troubleshooting Guide

MODEL

RF Test

## WITCH





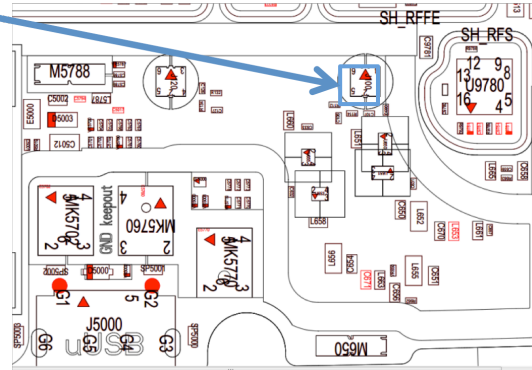
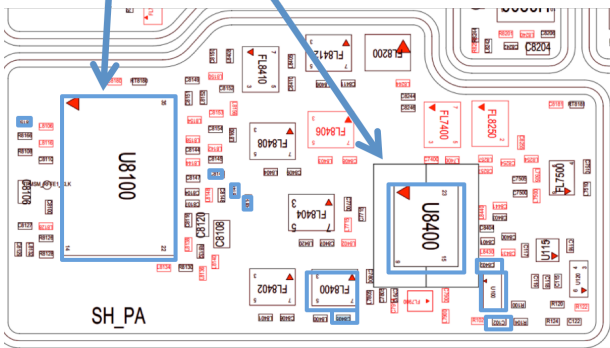
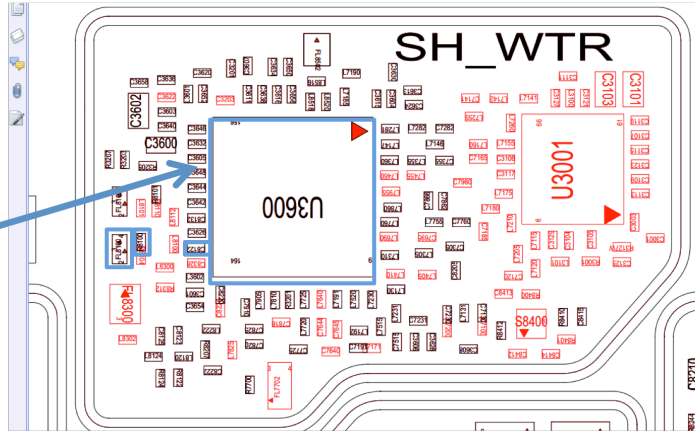
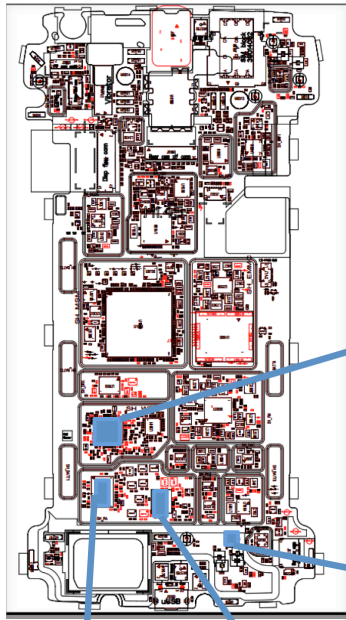
TITLE

# L3 Moto X RF Troubleshooting Guide

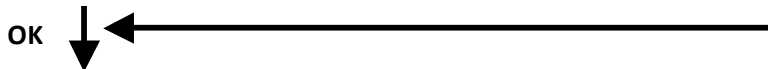
MODEL

RF Test

LTE\_B20\_TX (EU SKU)



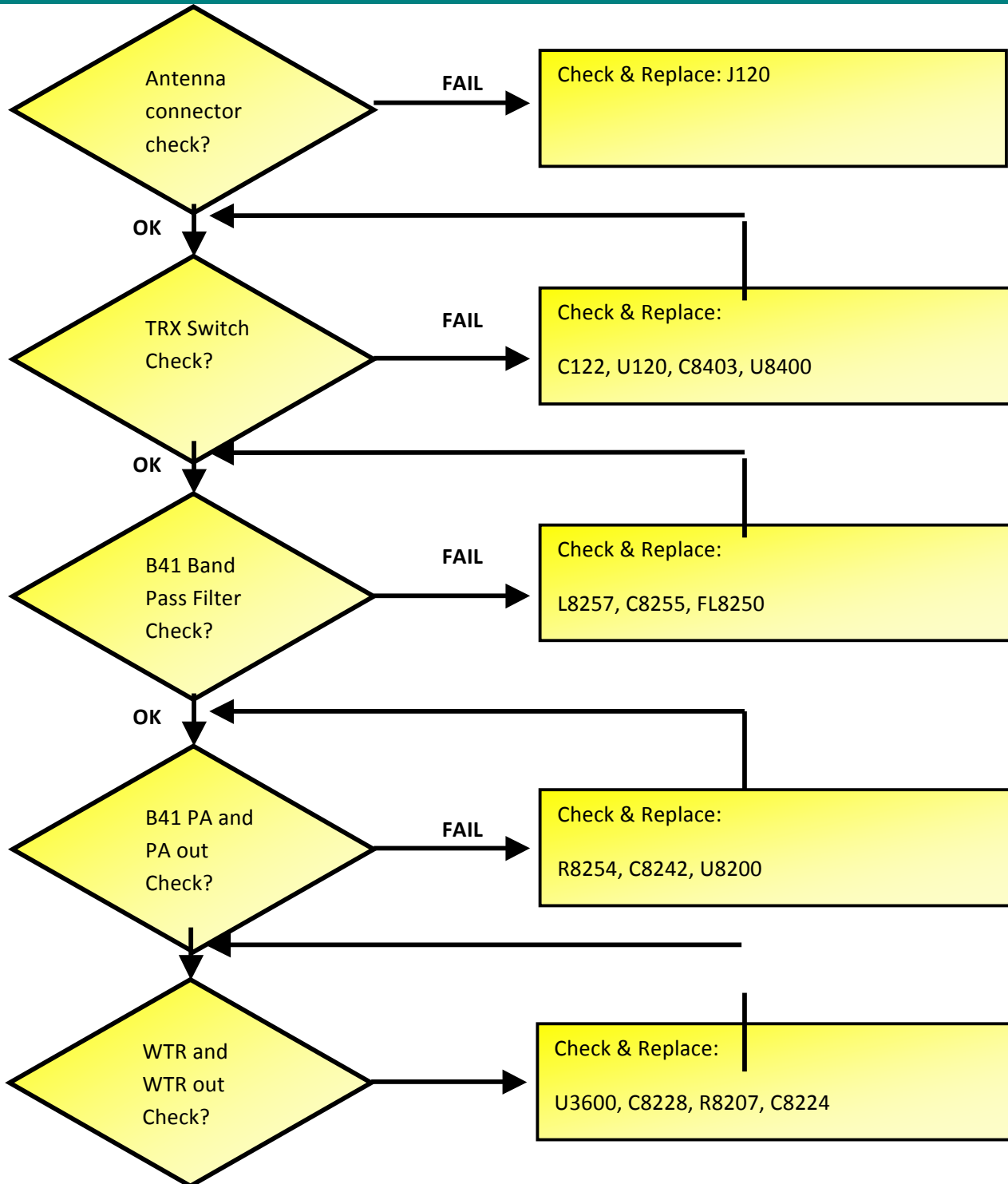
LTE B41 TX



OK

# L3 Moto X RF Troubleshooting Guide

RF Test

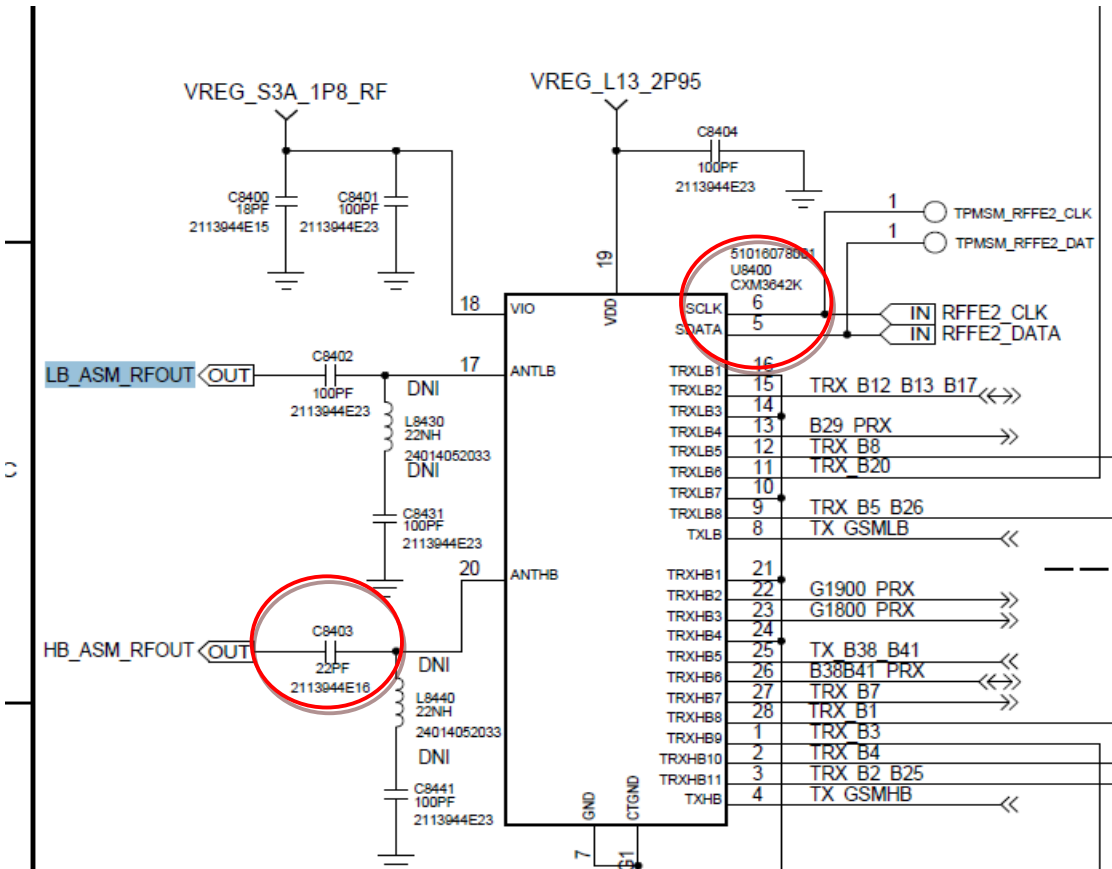
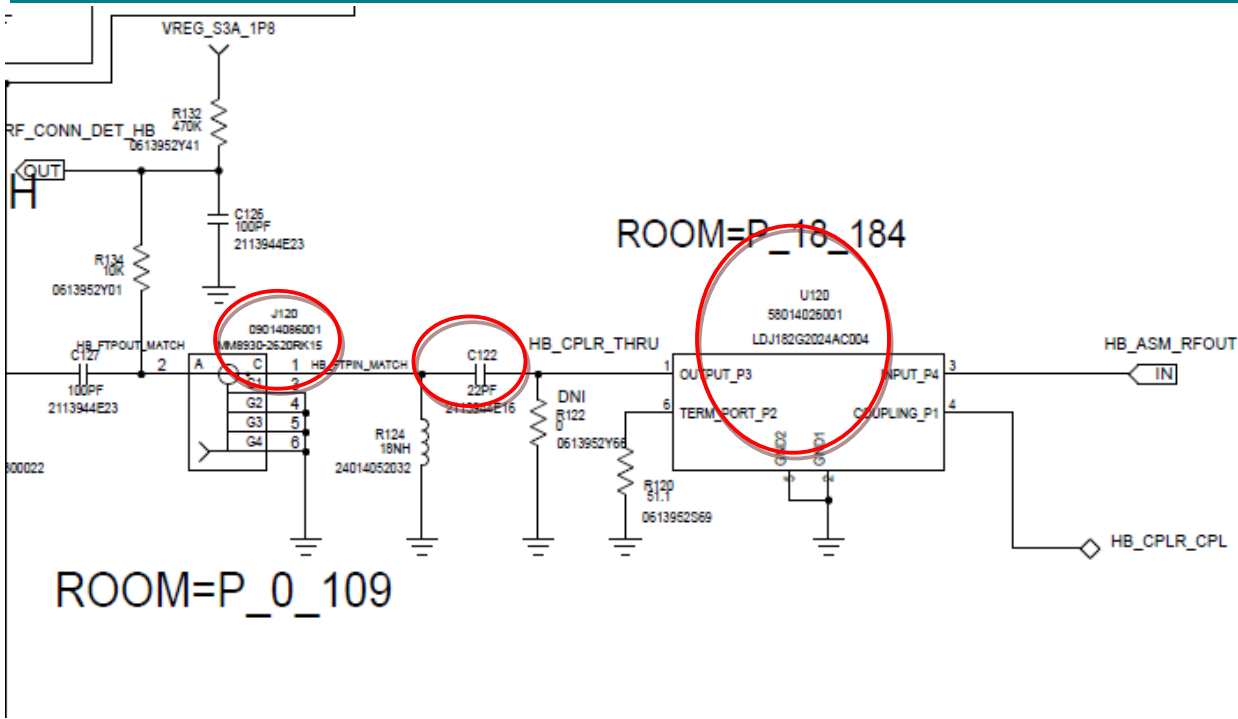


TITLE

L3 Moto X RF Troubleshooting Guide

MODEL

RF Test

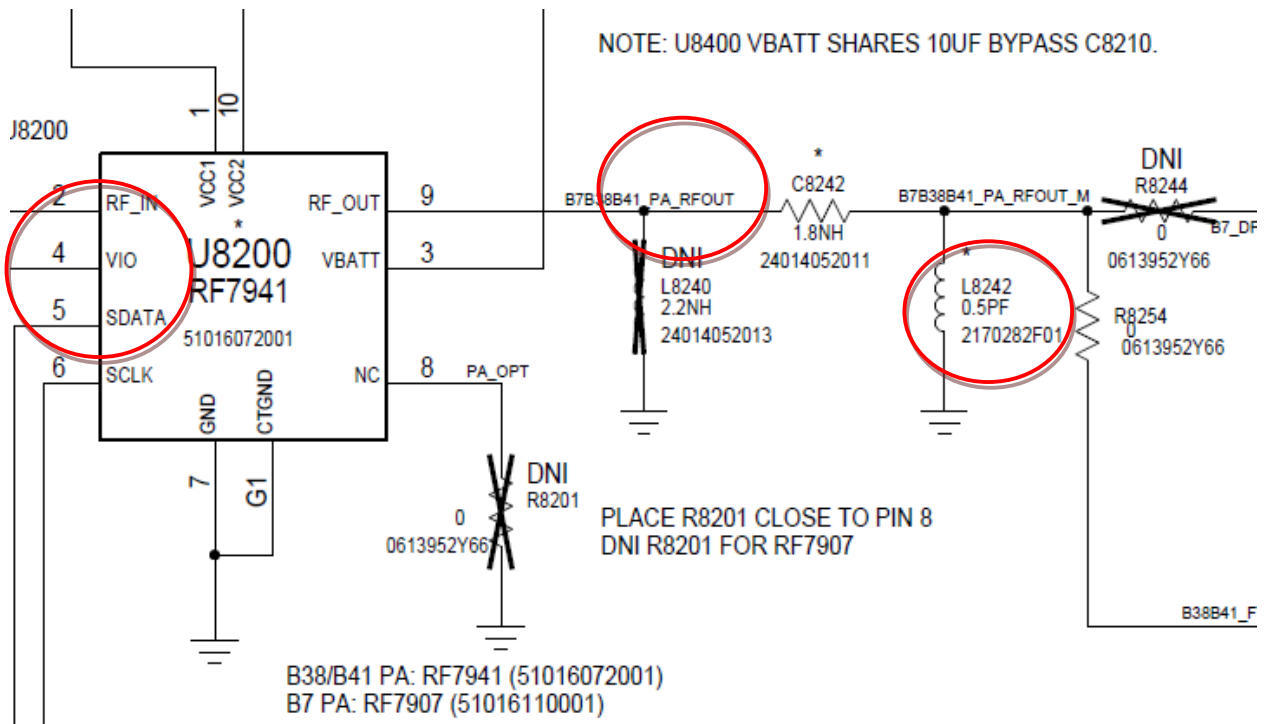
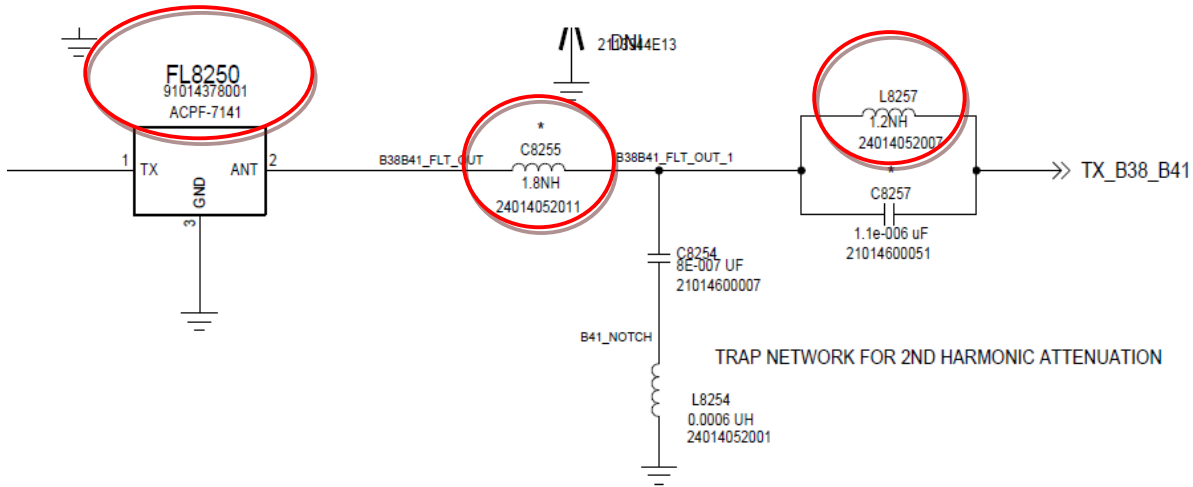


TITLE

MODEL

# L3 Moto X RF Troubleshooting Guide

RF Test

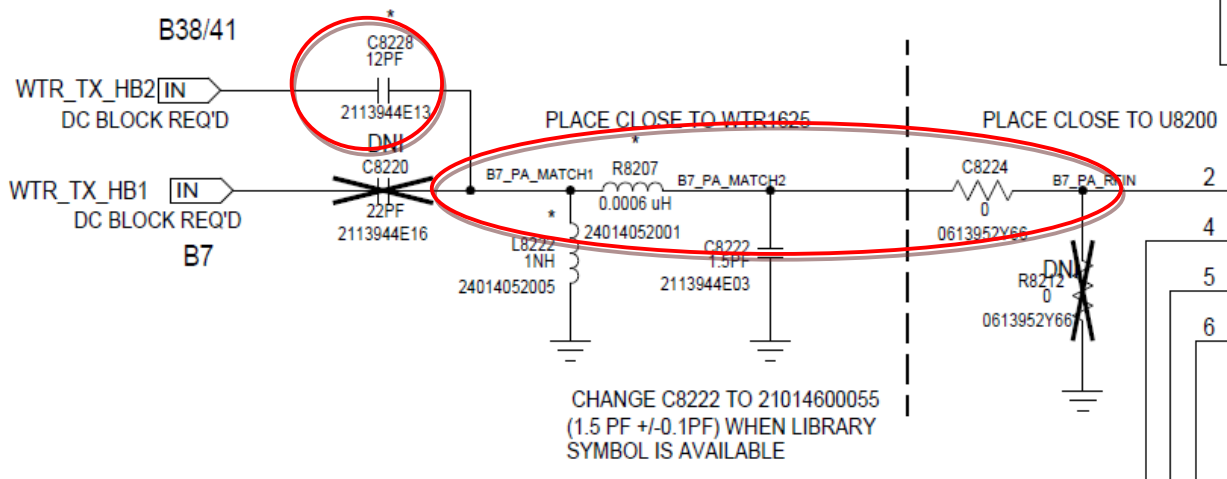
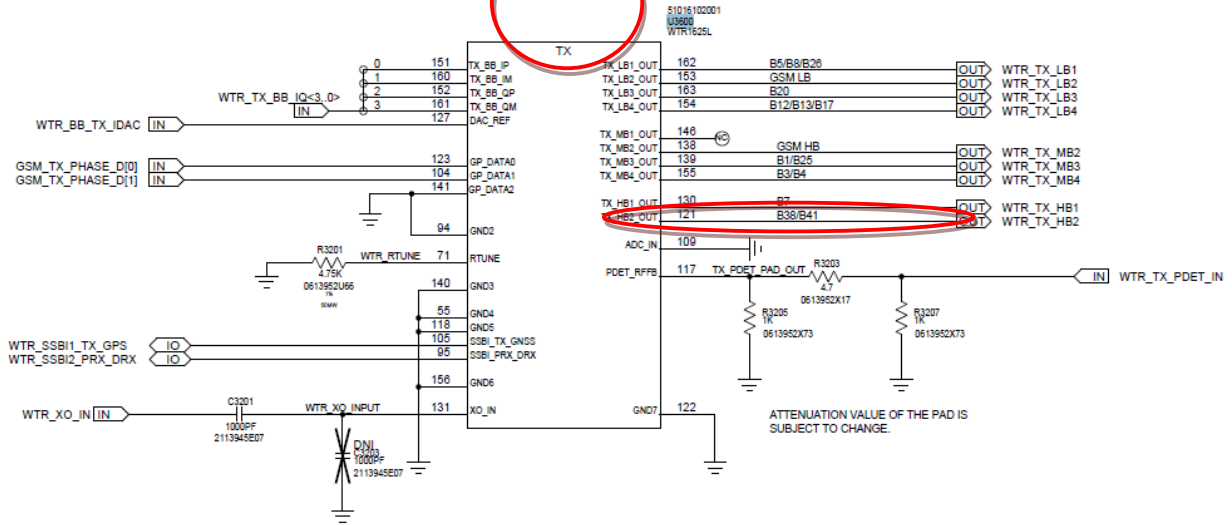


TITLE

MODEL

# L3 Moto X RF Troubleshooting Guide

RF Test

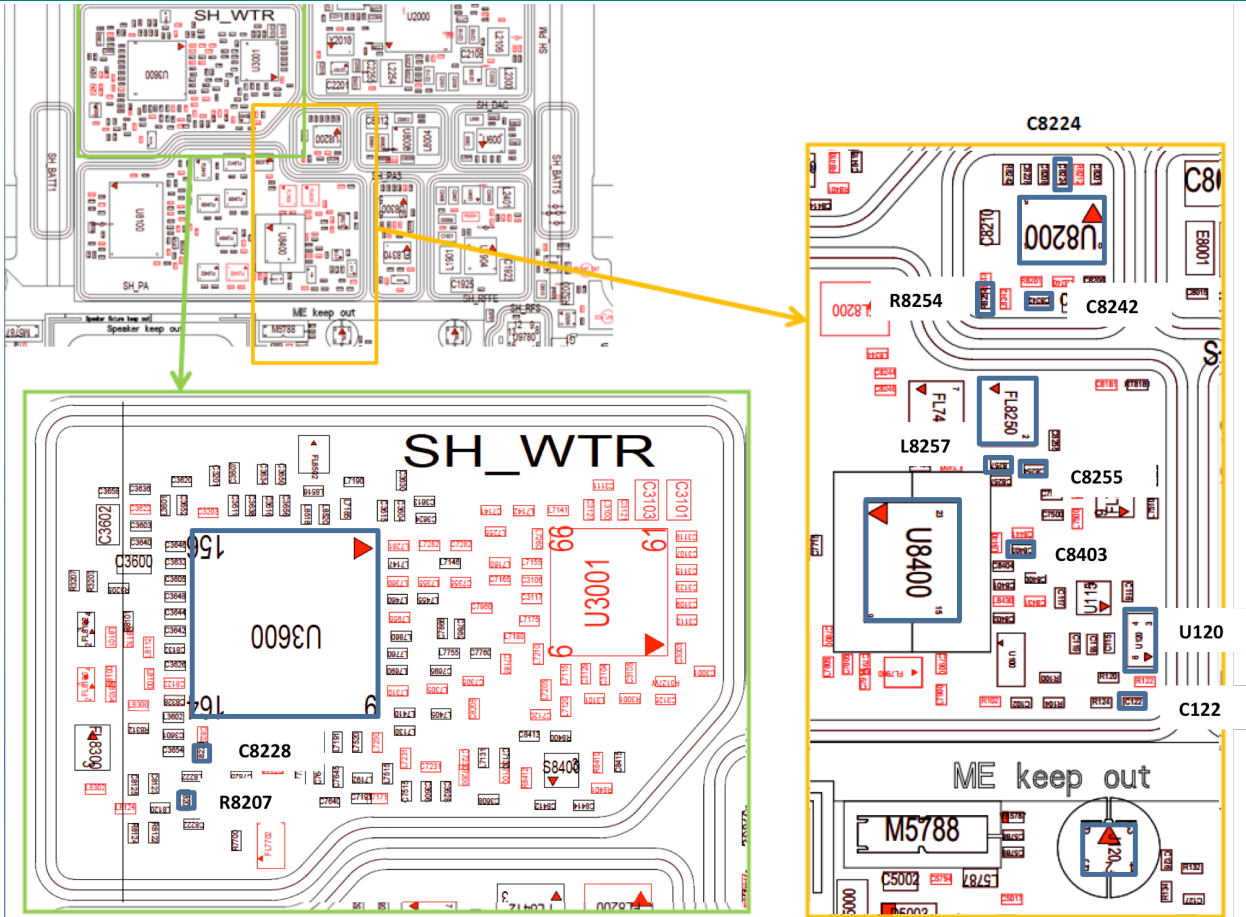


TITLE

# L3 Moto X RF Troubleshooting Guide

MODEL

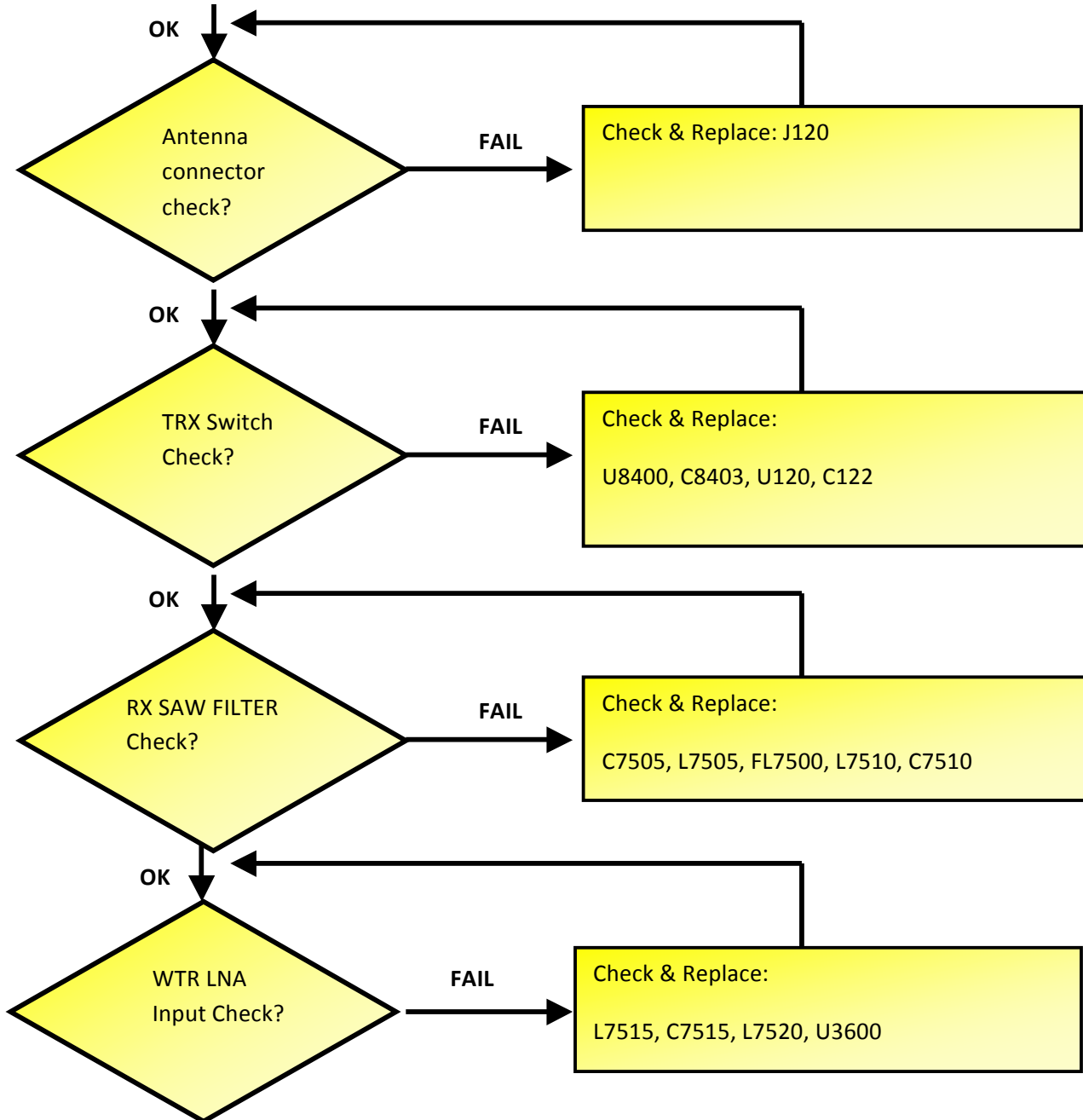
RF Test



GSM 1800 RX

# L3 Moto X RF Troubleshooting Guide

RF Test

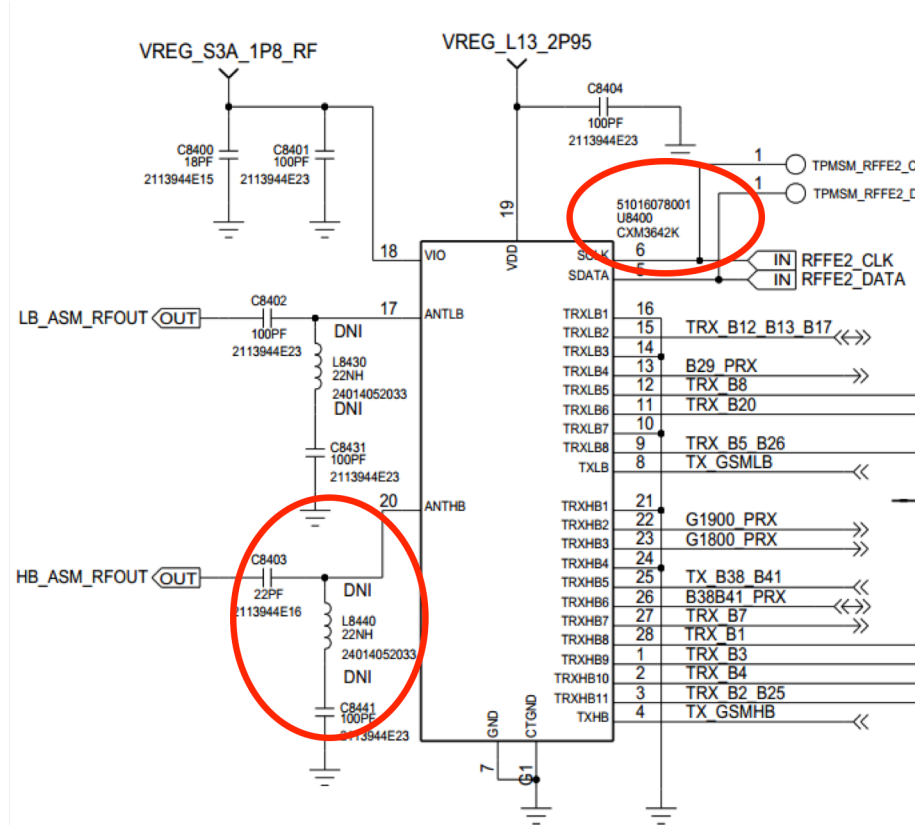
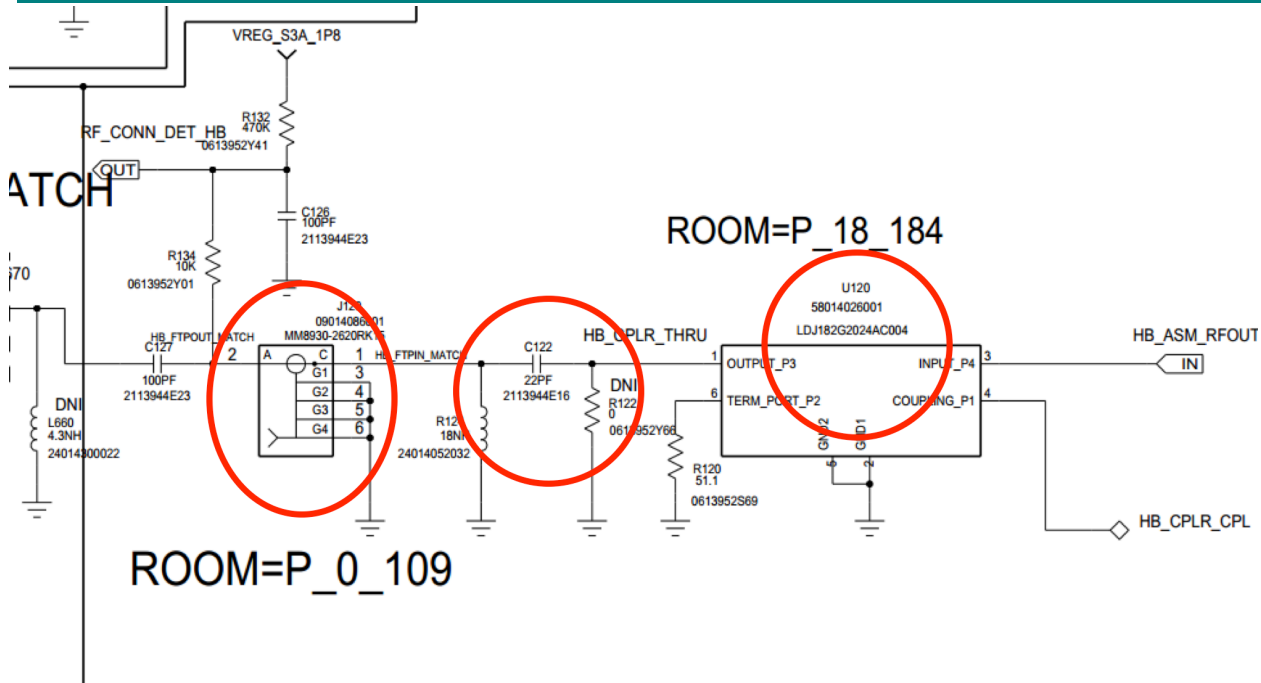


TITLE

**L3 Moto X RF Troubleshooting Guide**

MODEL

**RF Test**



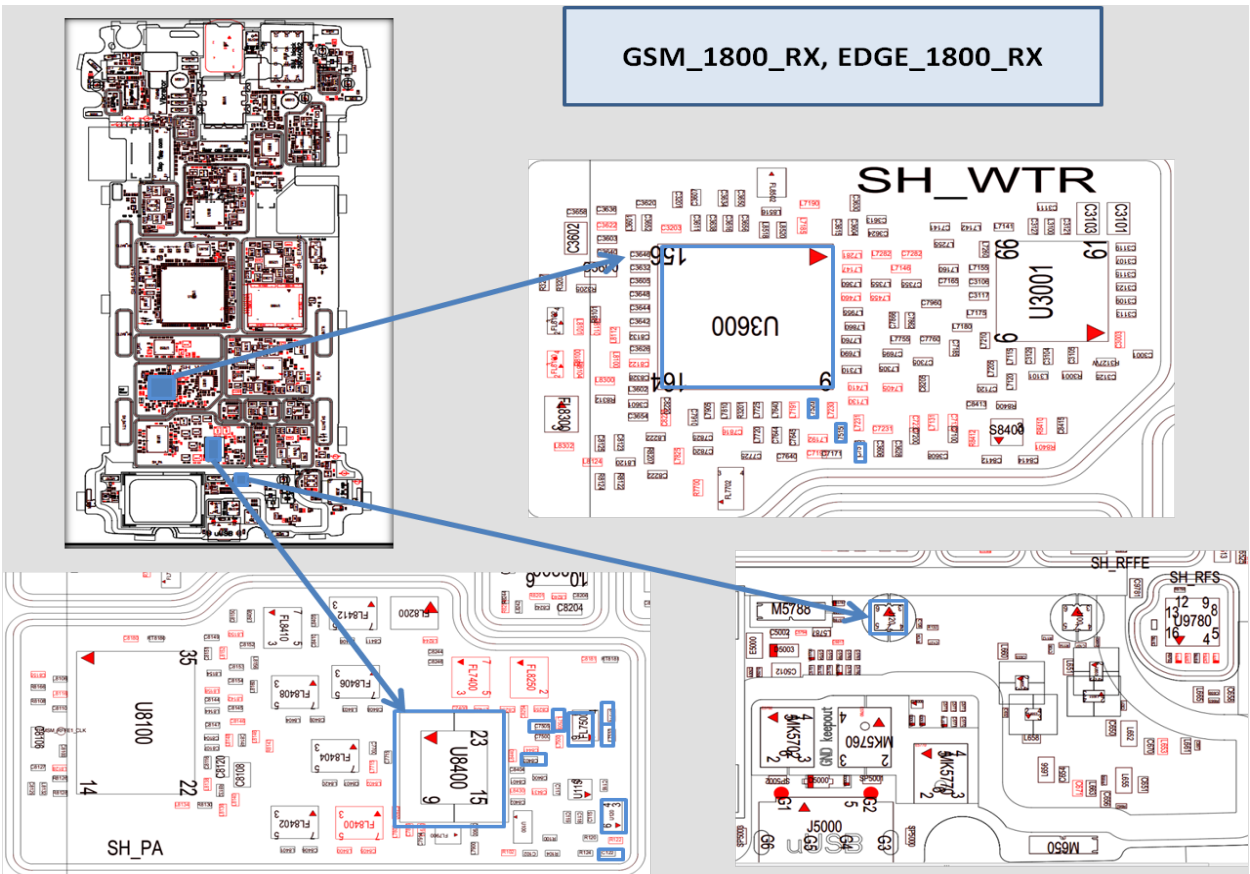
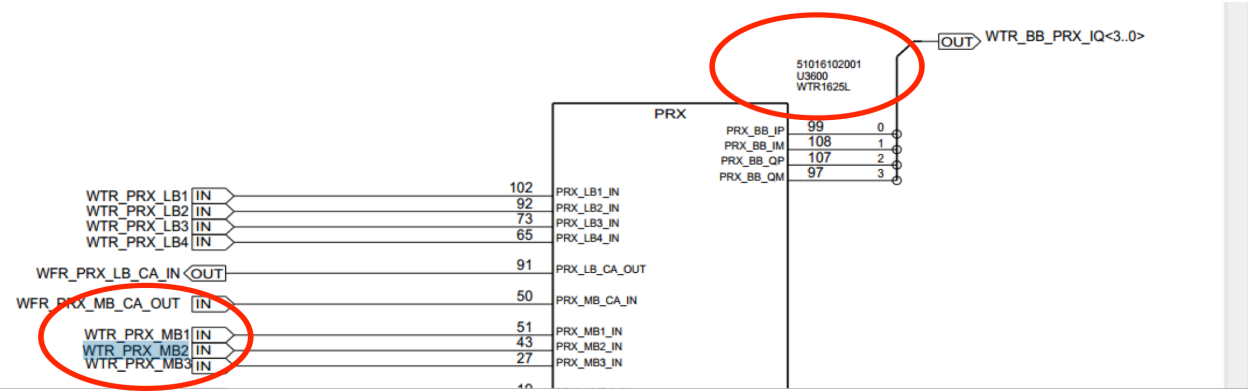
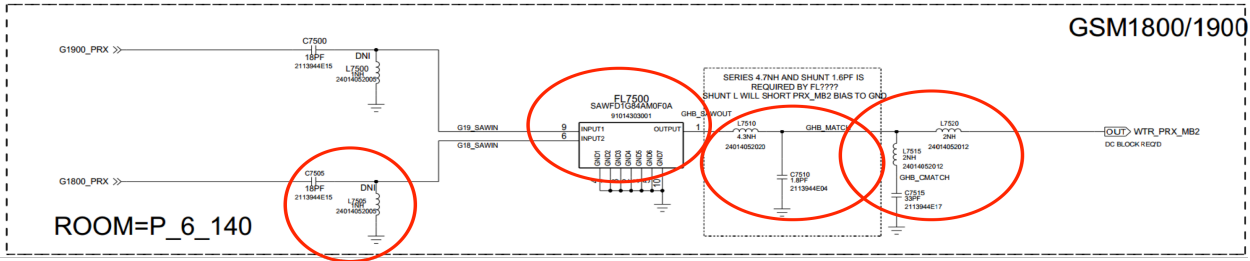


TITLE

# L3 Moto X RF Troubleshooting Guide

MODEL

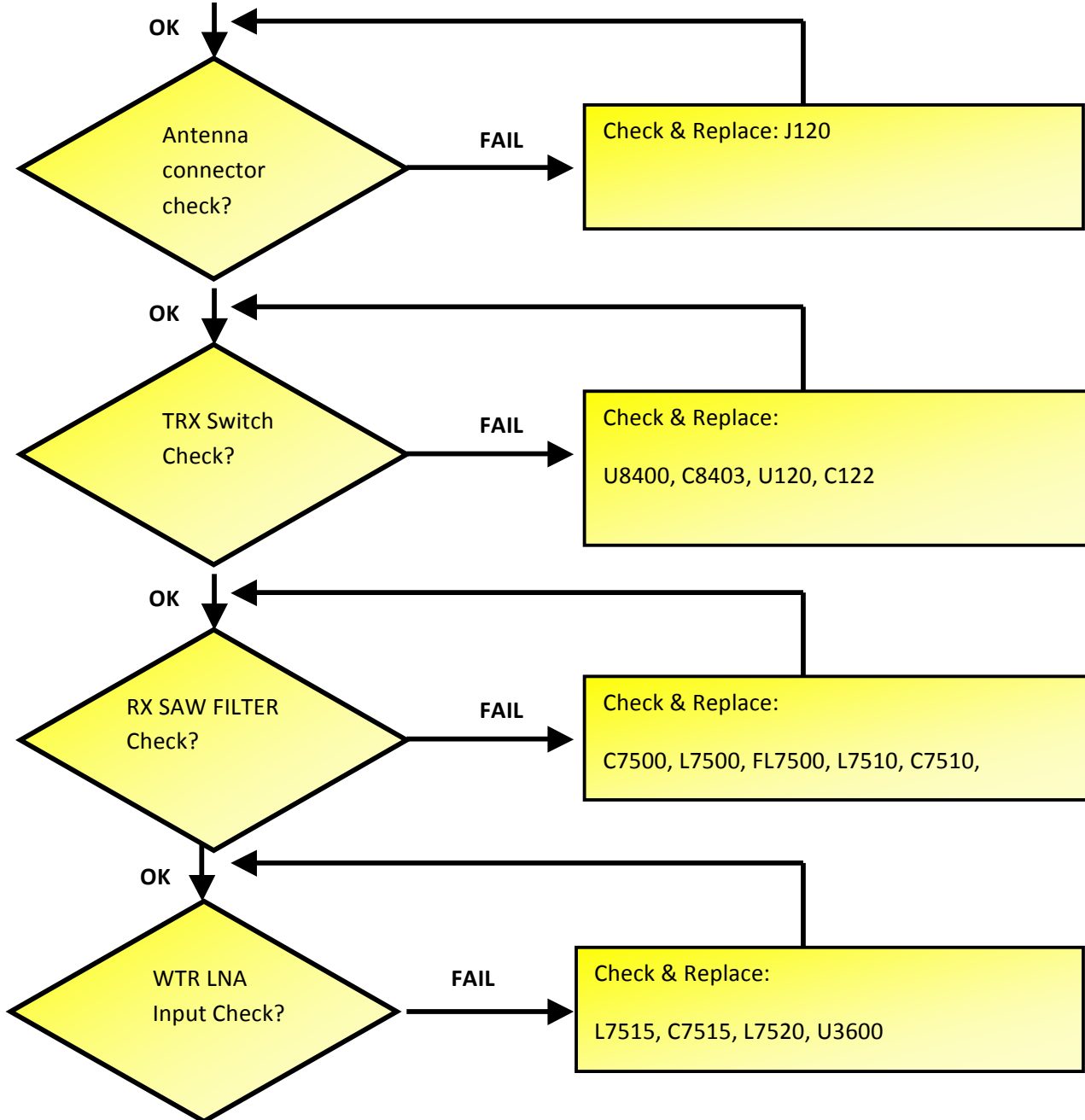
RF Test



GSM 1900 RX

# L3 Moto X RF Troubleshooting Guide

RF Test



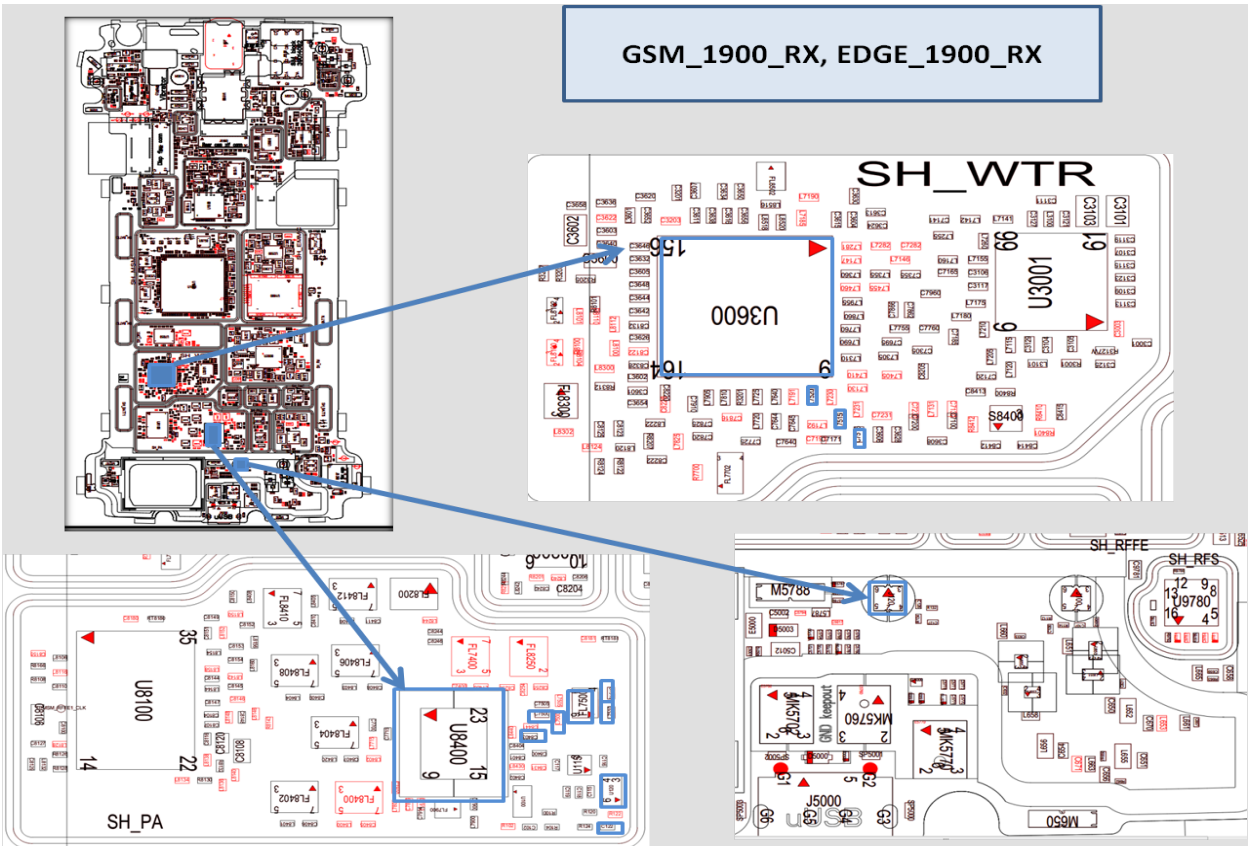
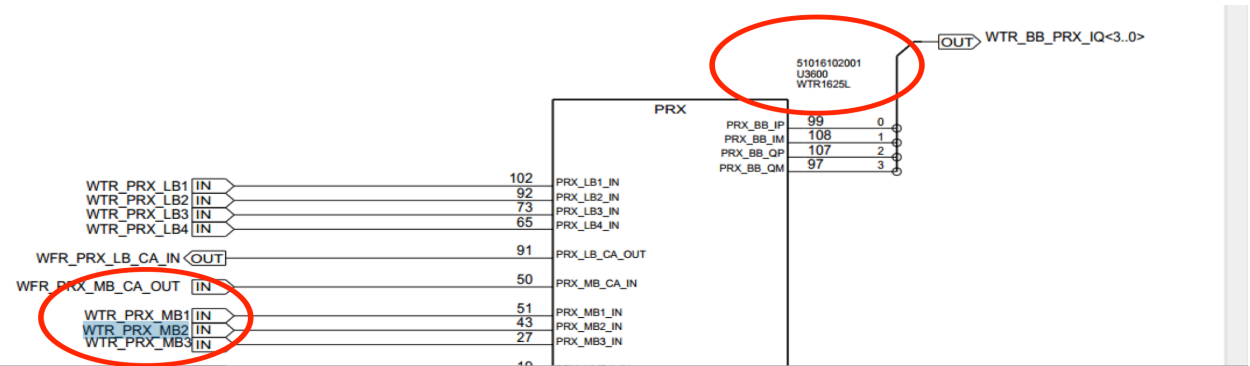
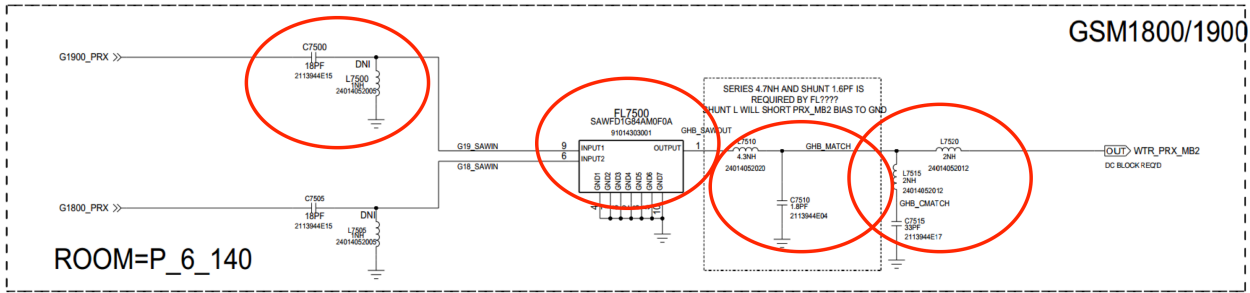


TITLE

# L3 Moto X RF Troubleshooting Guide

MODEL

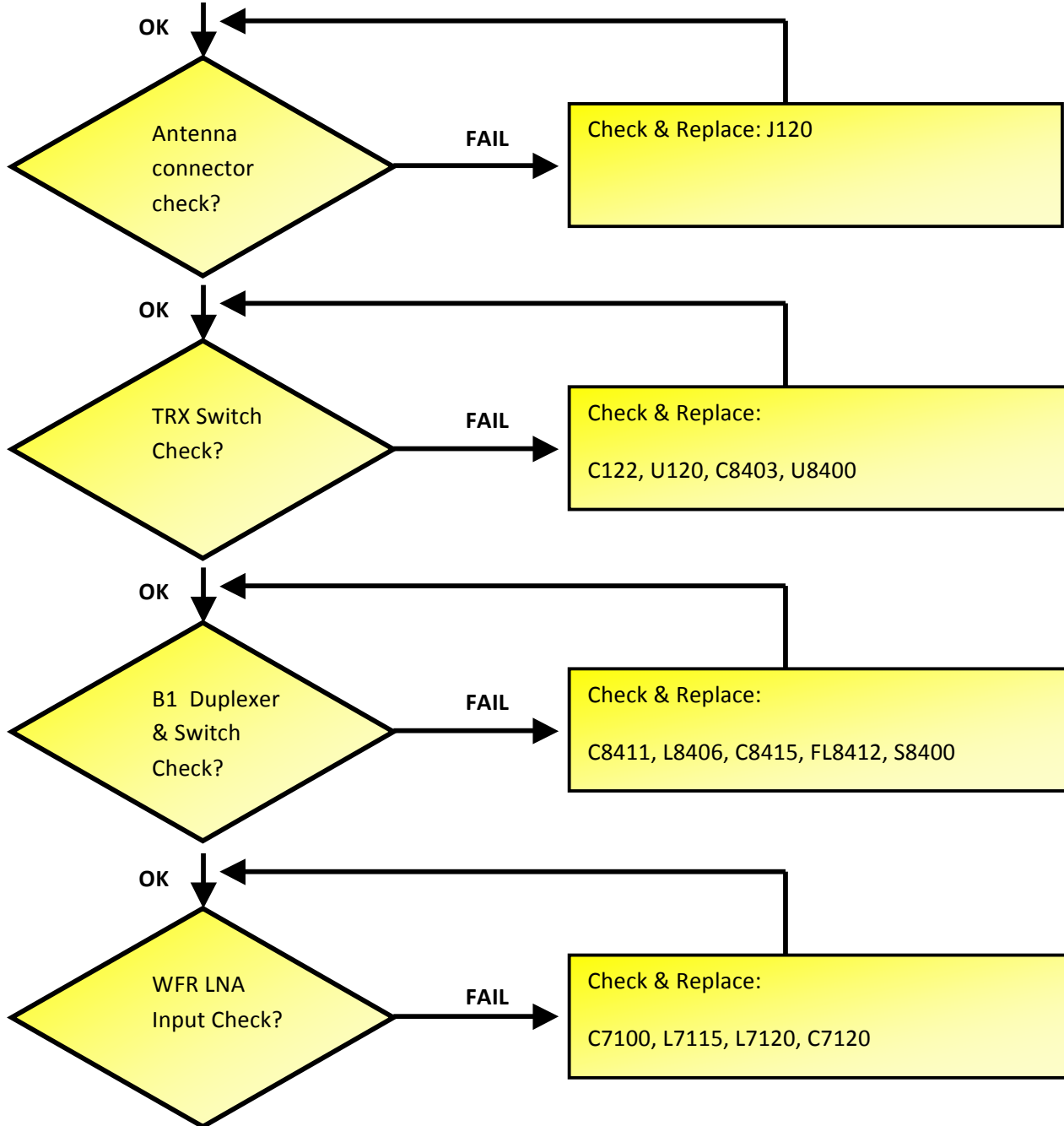
RF Test



WCDMA B1 C0 RX ATT & VZW

# L3 Moto X RF Troubleshooting Guide

RF Test

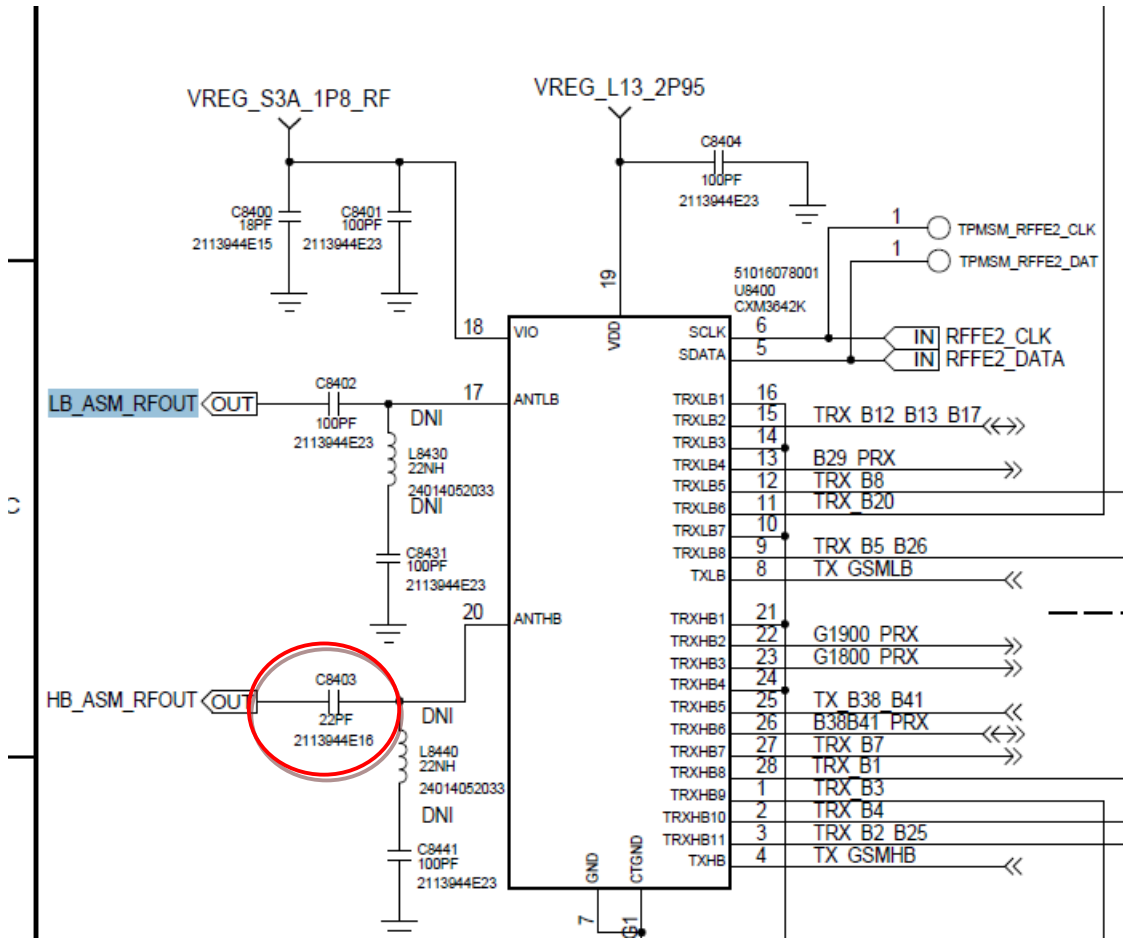
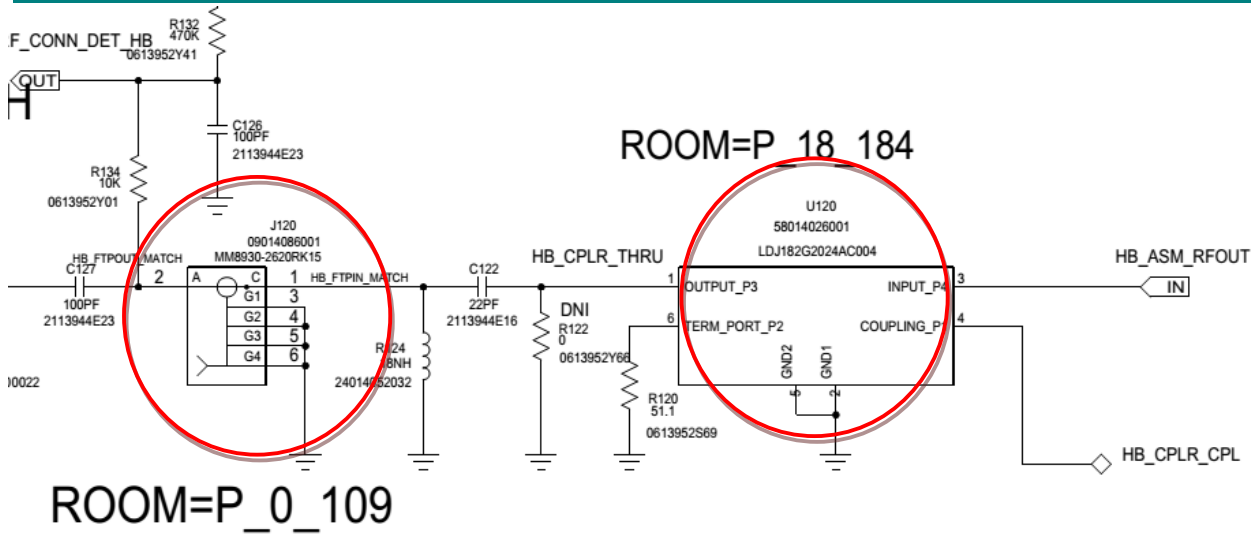


TITLE

MODEL

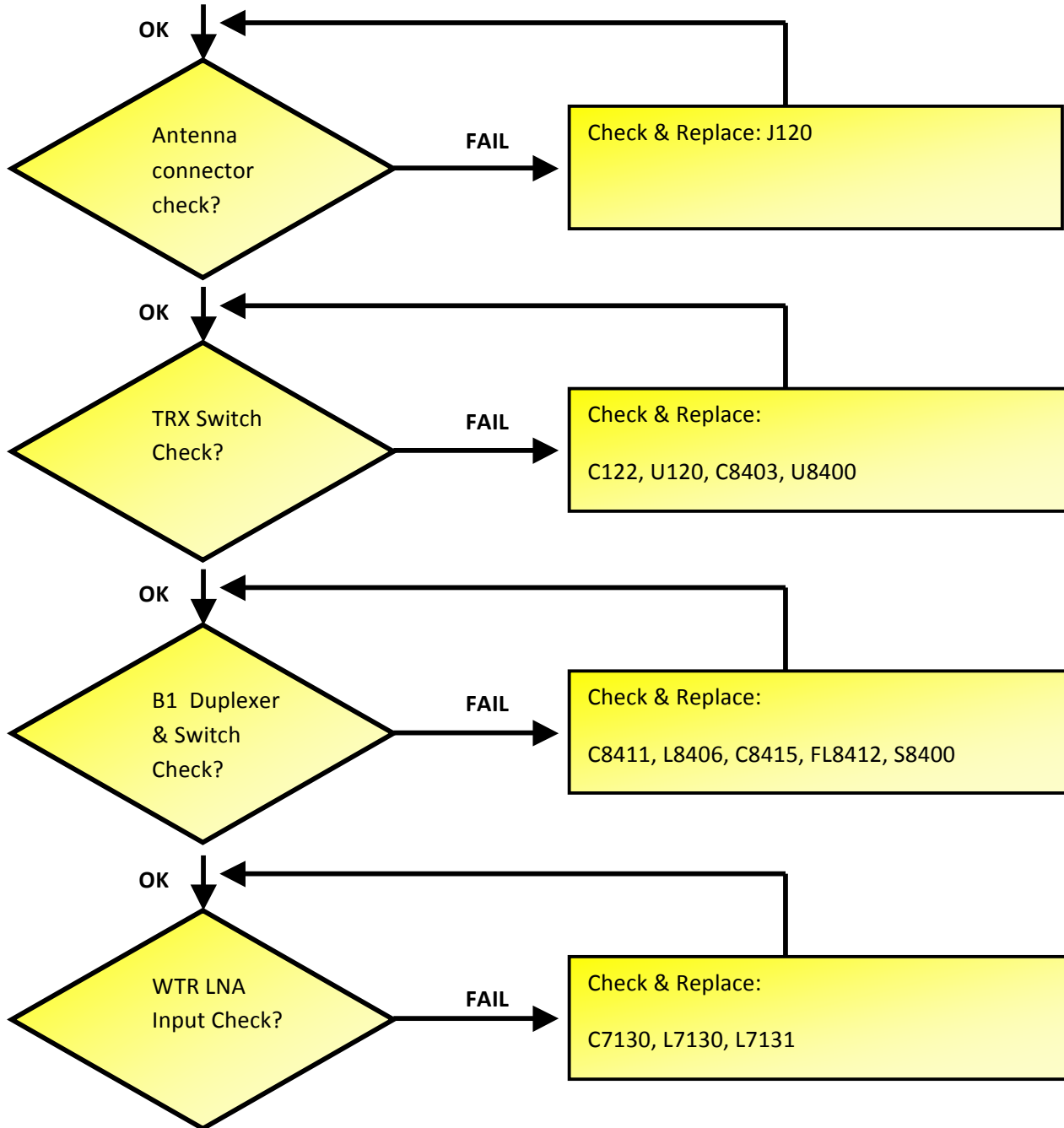
# L3 Moto X RF Troubleshooting Guide

RF Test





WCDMA B1 C0 RX SPRINT



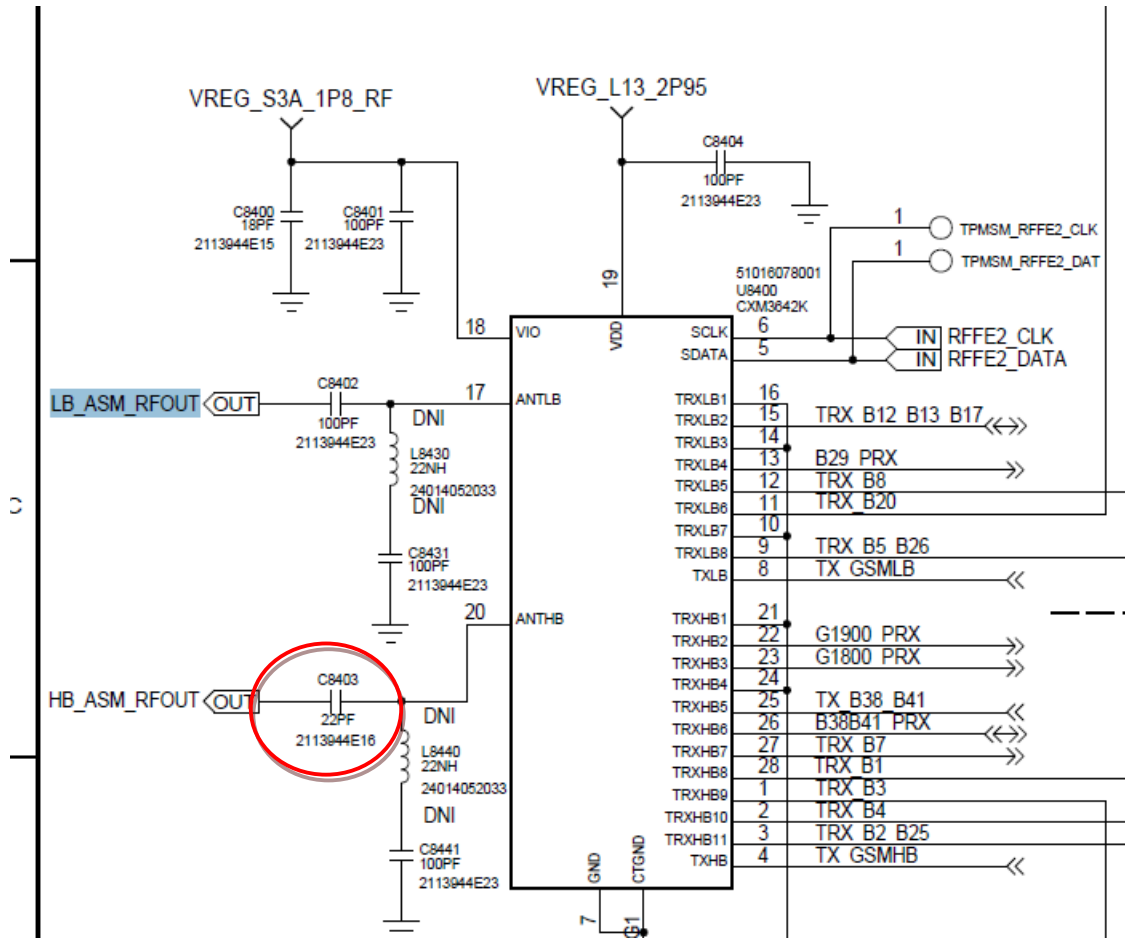
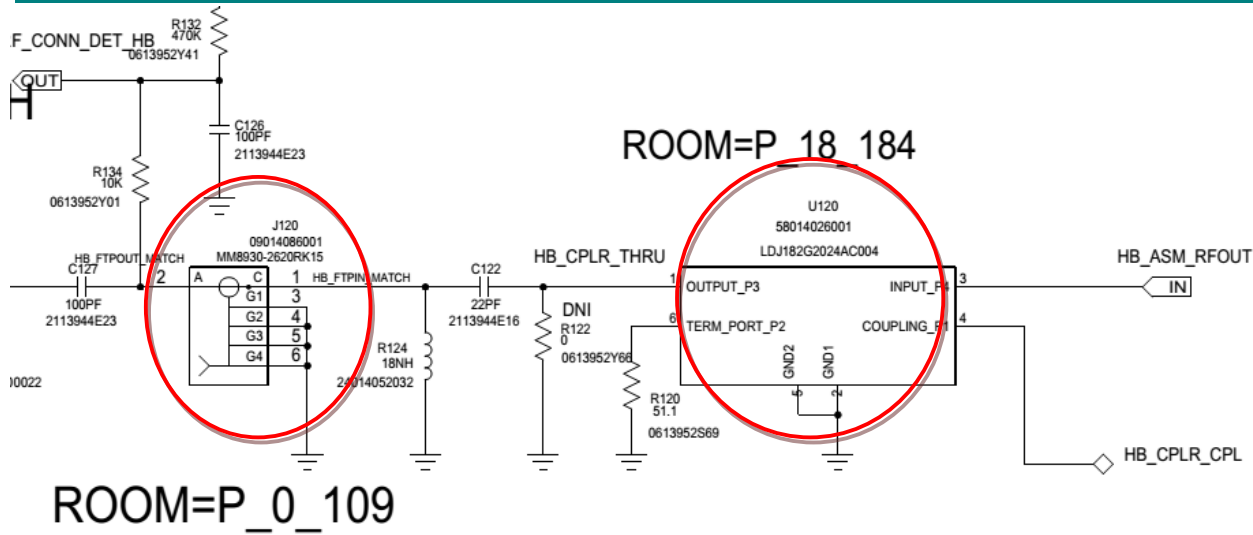


TITLE

# L3 Moto X RF Troubleshooting Guide

MODEL

RF Test

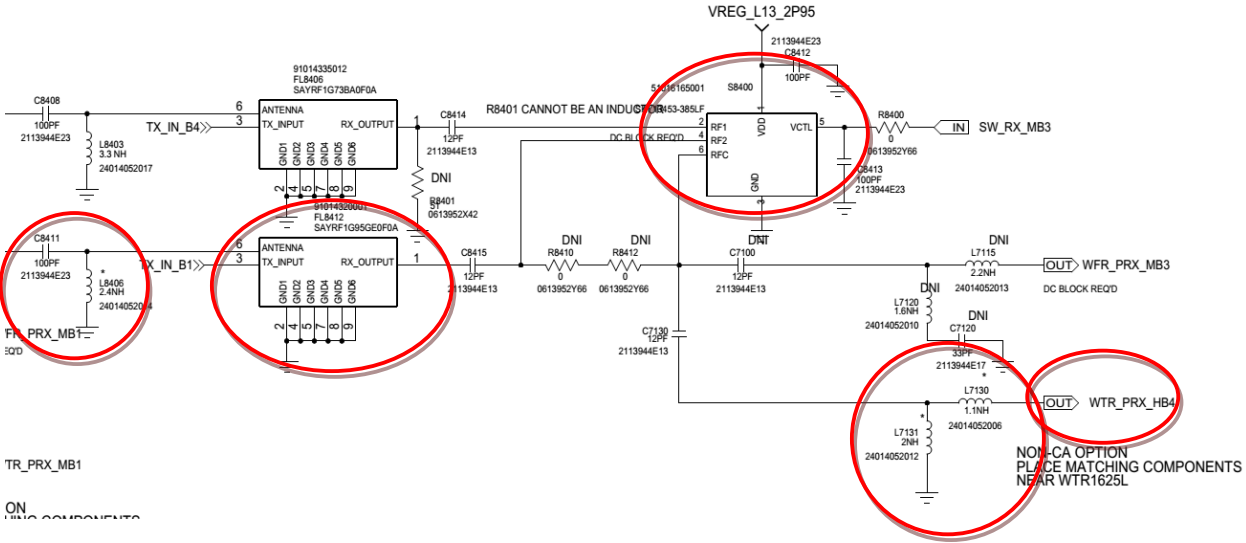


TITLE

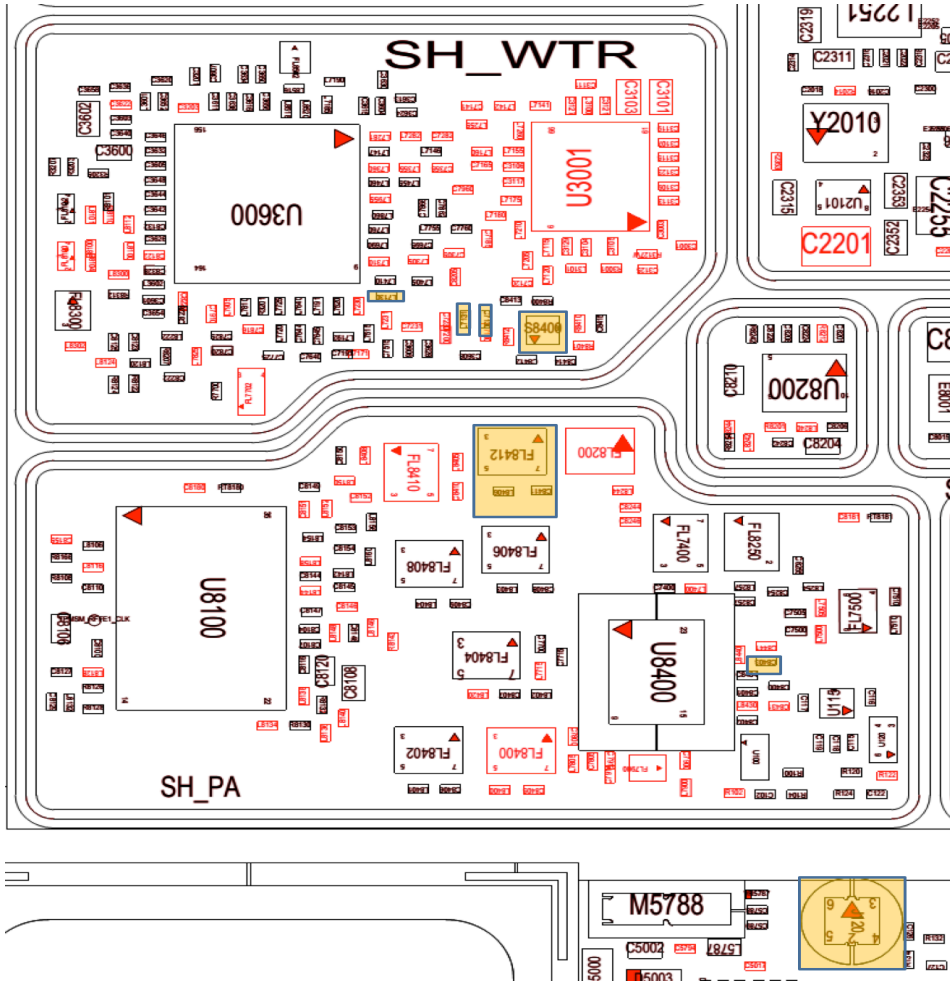
# L3 Moto X RF Troubleshooting Guide

MODEL

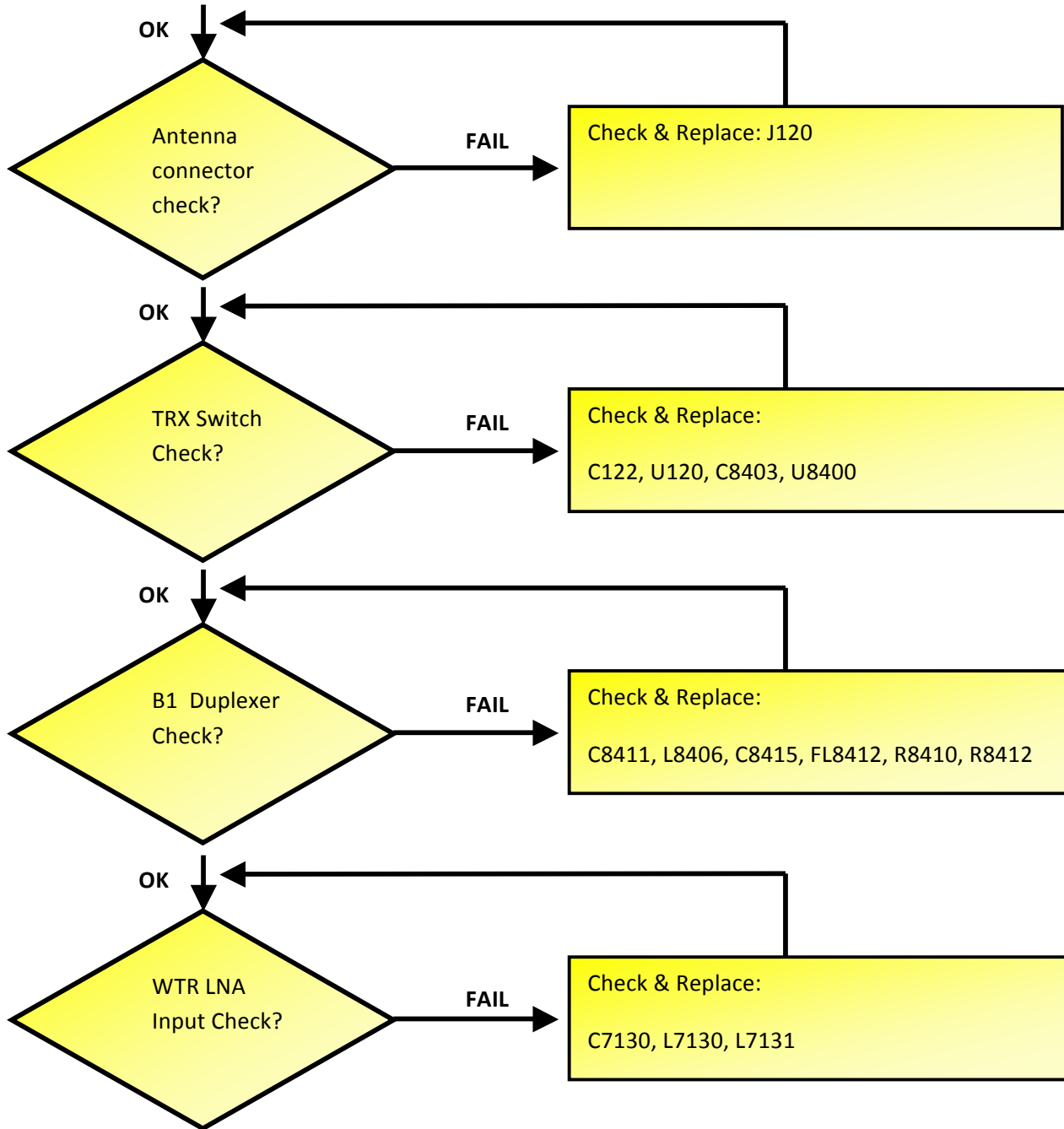
RF Test



TR\_PRX\_MB1  
ON  
COMPONENTS



LTE B1, WCDMA B1 C0 RX EU SKU

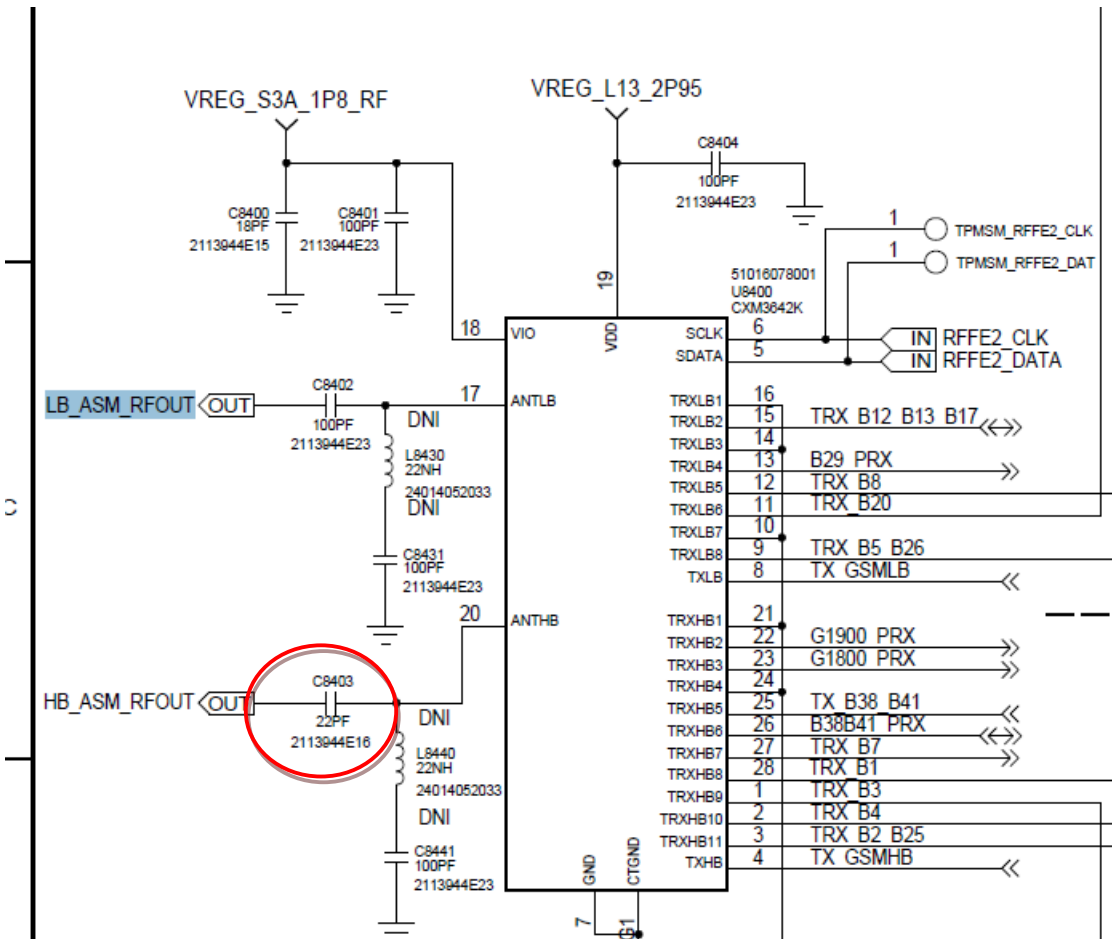
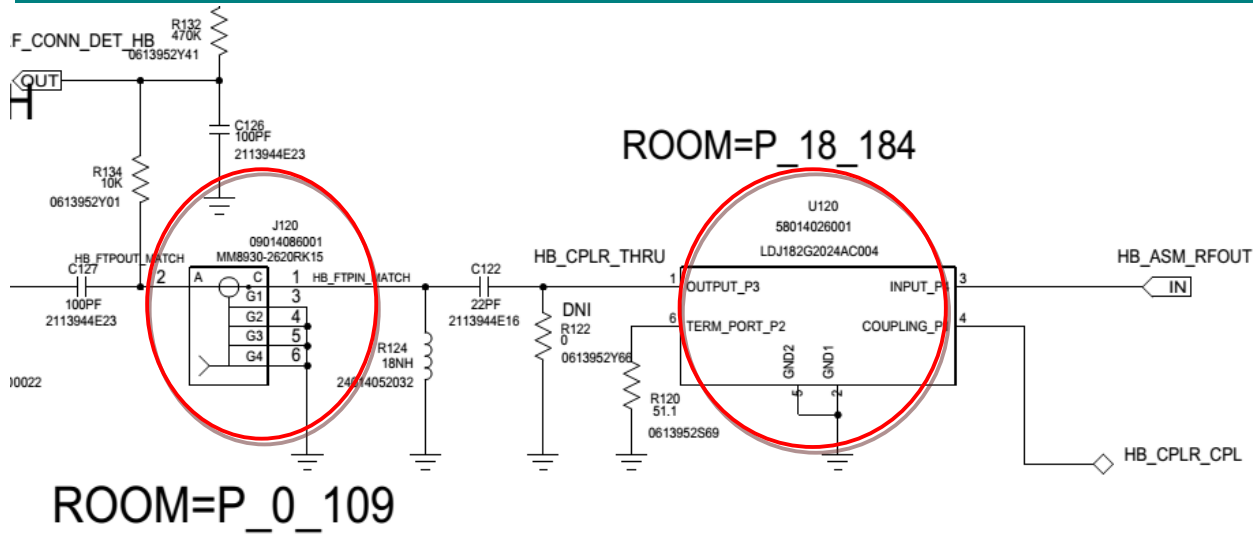


TITLE

MODEL

# L3 Moto X RF Troubleshooting Guide

RF Test

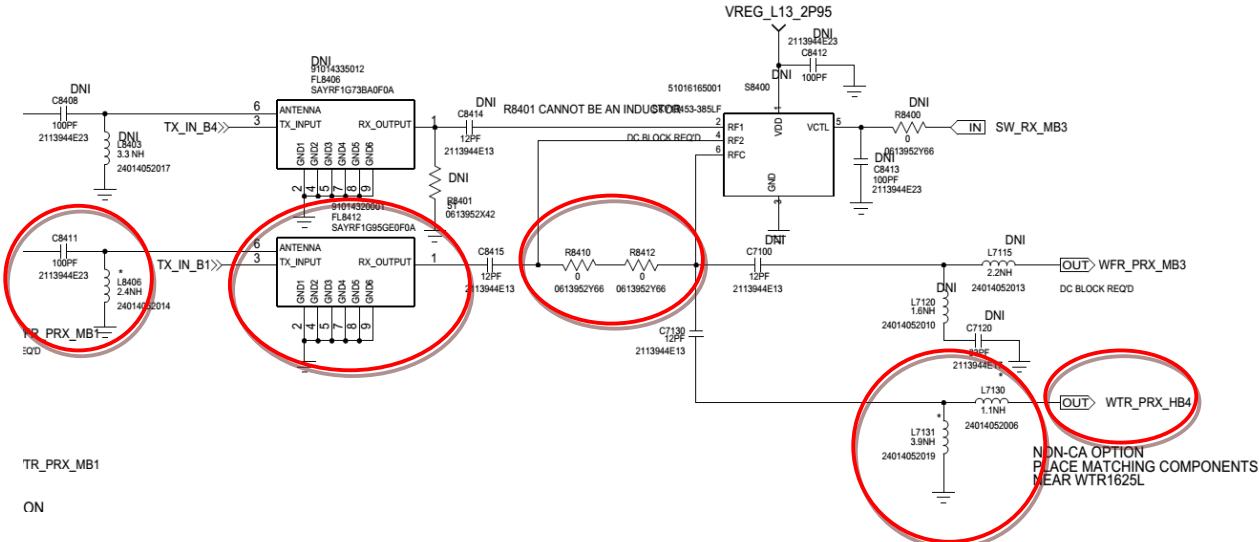


TITLE

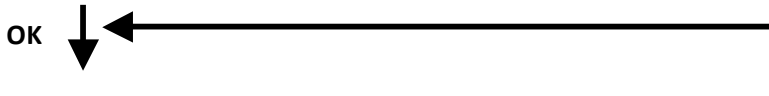
# L3 Moto X RF Troubleshooting Guide

MODEL

RF Test

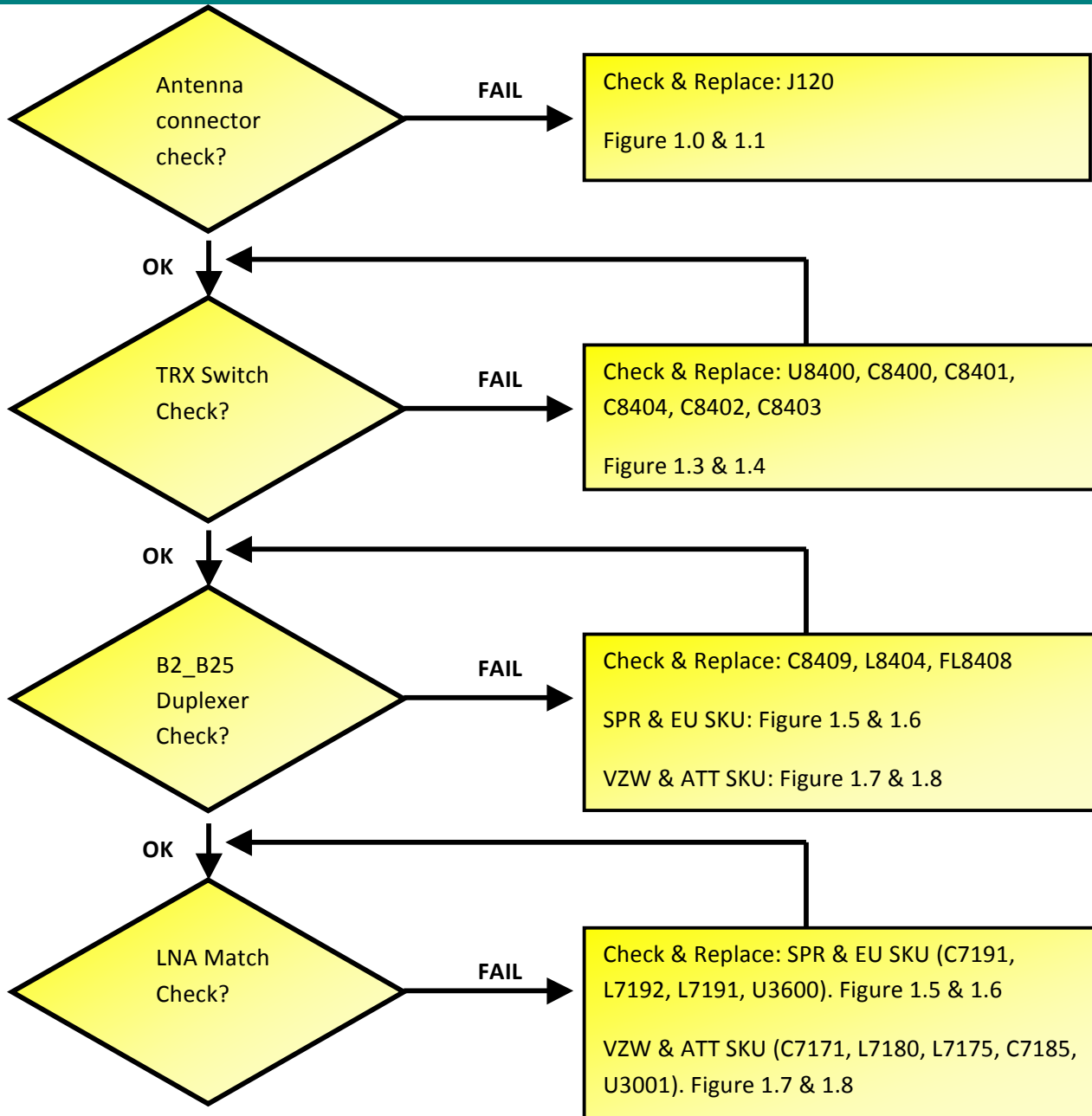


LTE Bands 2&25, WCDMA Band 2, CDMA BC1 **CO** RX



# L3 Moto X RF Troubleshooting Guide

RF Test



TITLE

MODEL

# L3 Moto X RF Troubleshooting Guide

RF Test

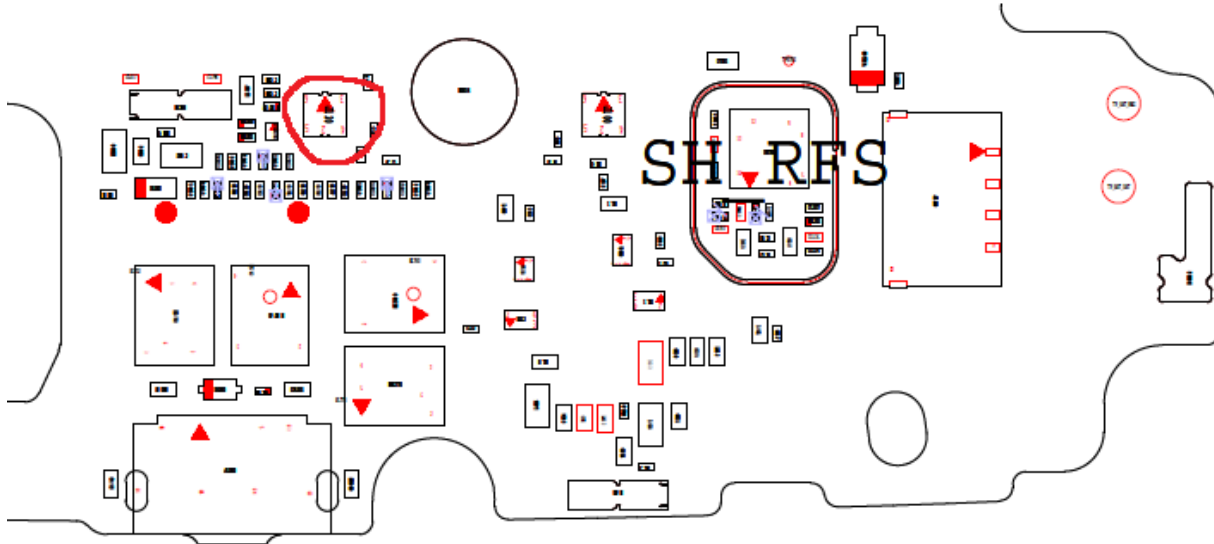


Figure 1.0

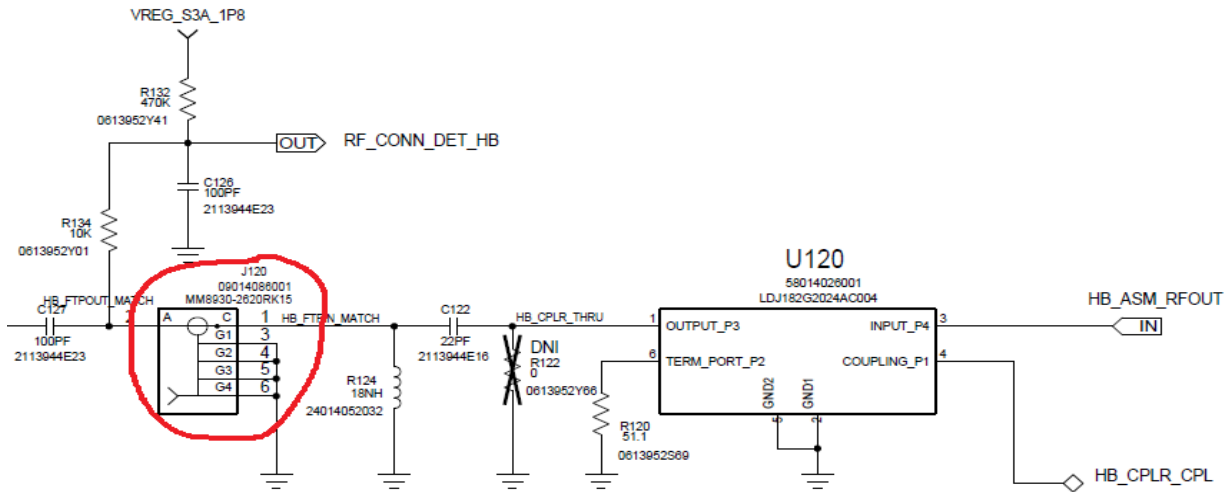


Figure 1.1

TITLE

MODEL

# L3 Moto X RF Troubleshooting Guide

RF Test

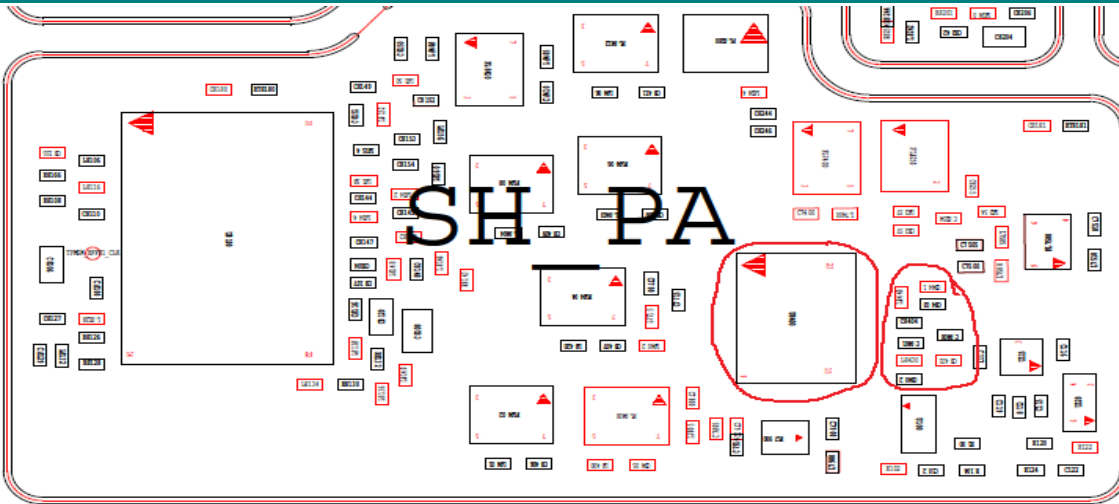


Figure 1.3

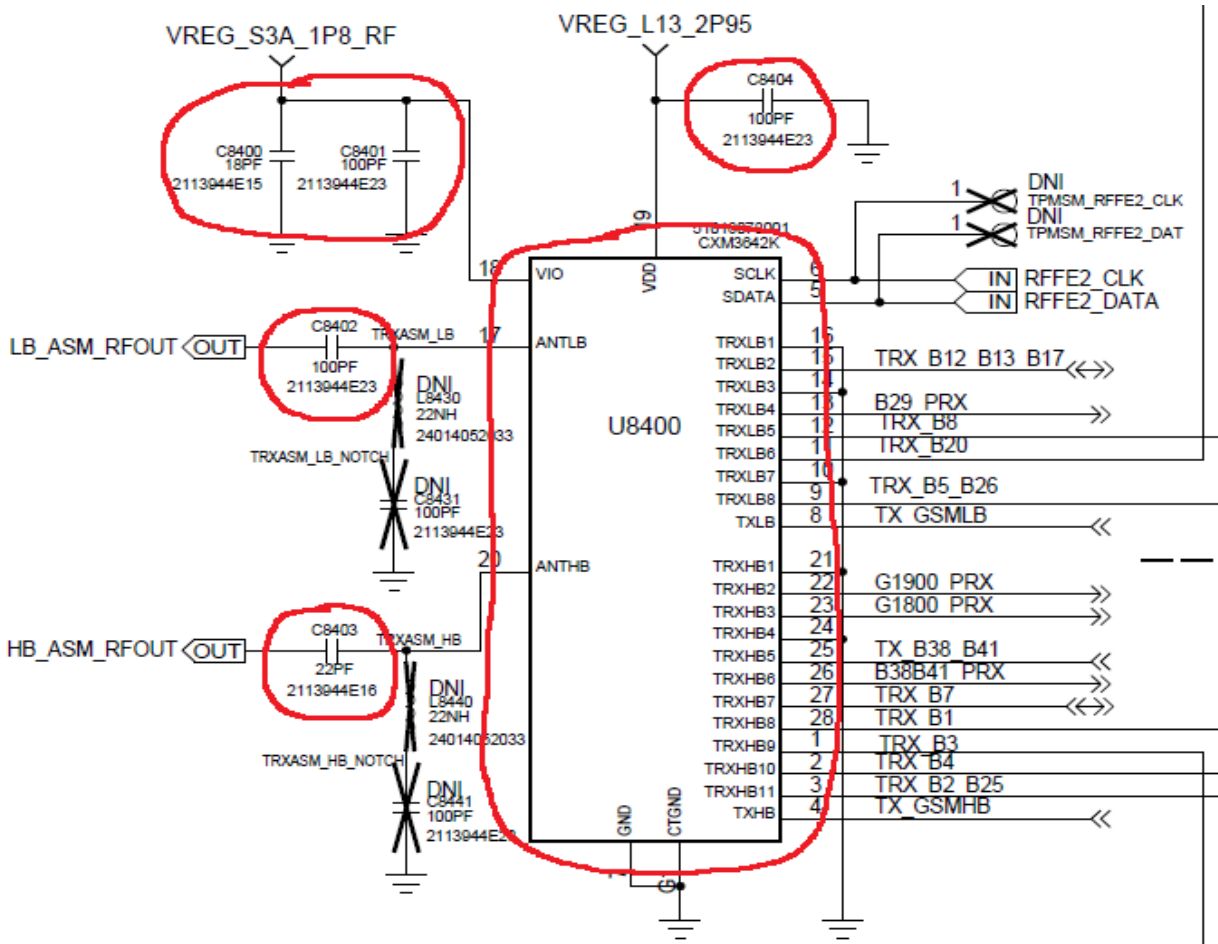


Figure 1.4



TITLE

L3 Moto X RF Troubleshooting Guide

MODEL

RF Test

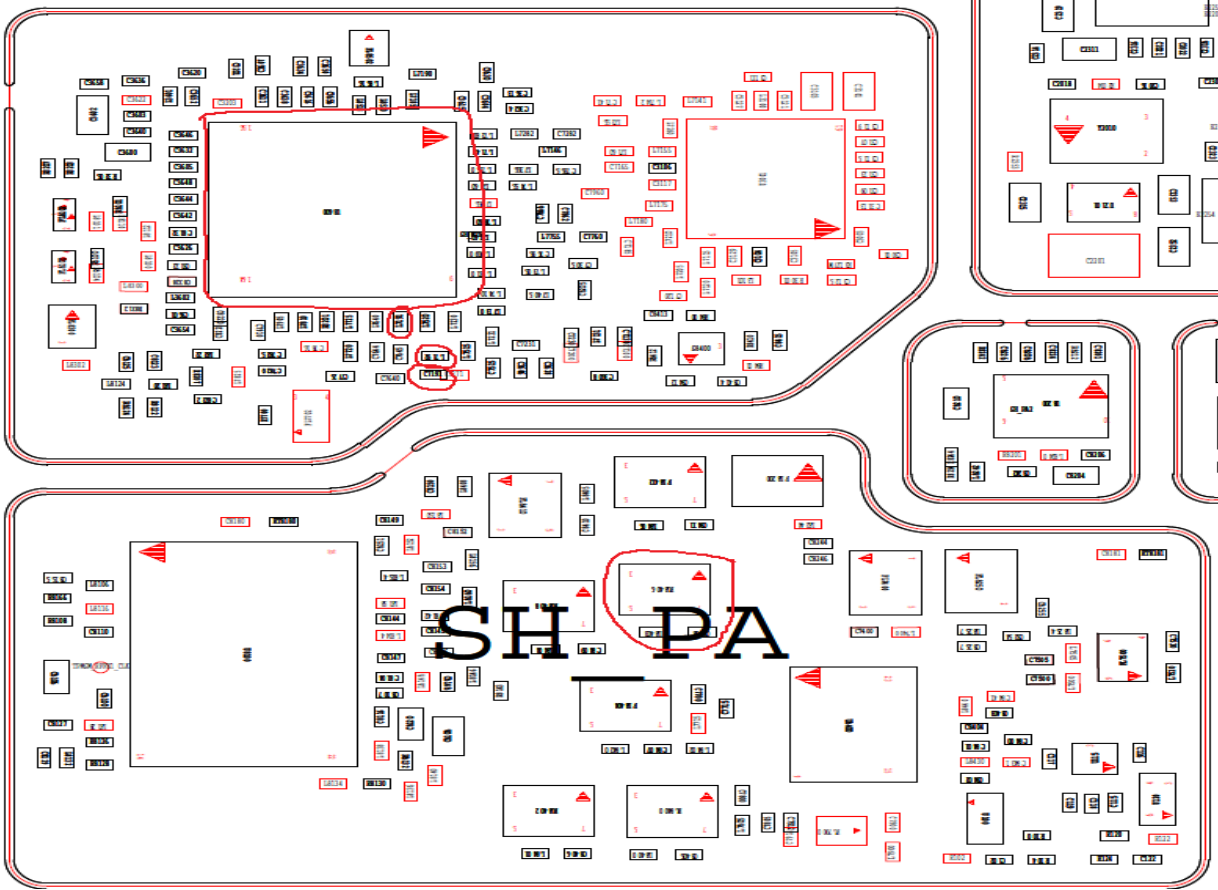


Figure 1.5

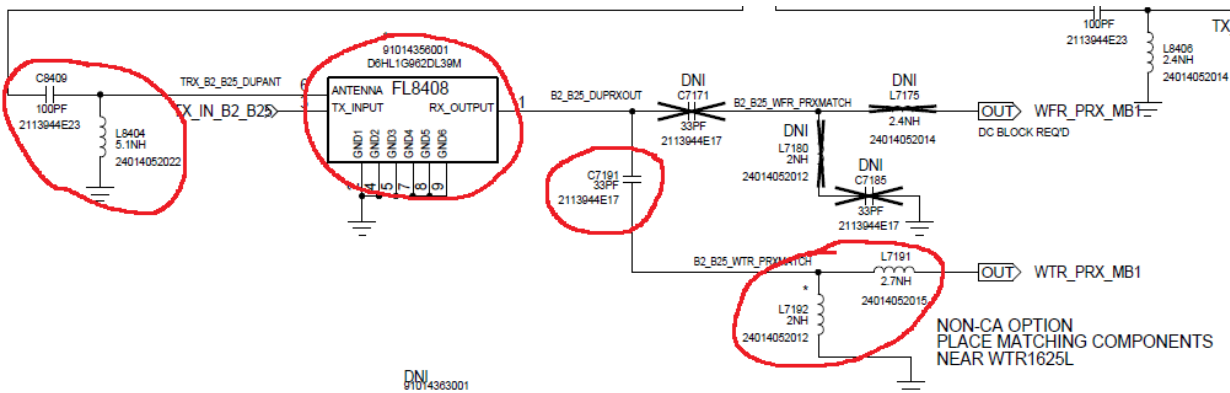


Figure 1.6

TITLE

L3 Moto X RF Troubleshooting Guide

MODEL

RF Test

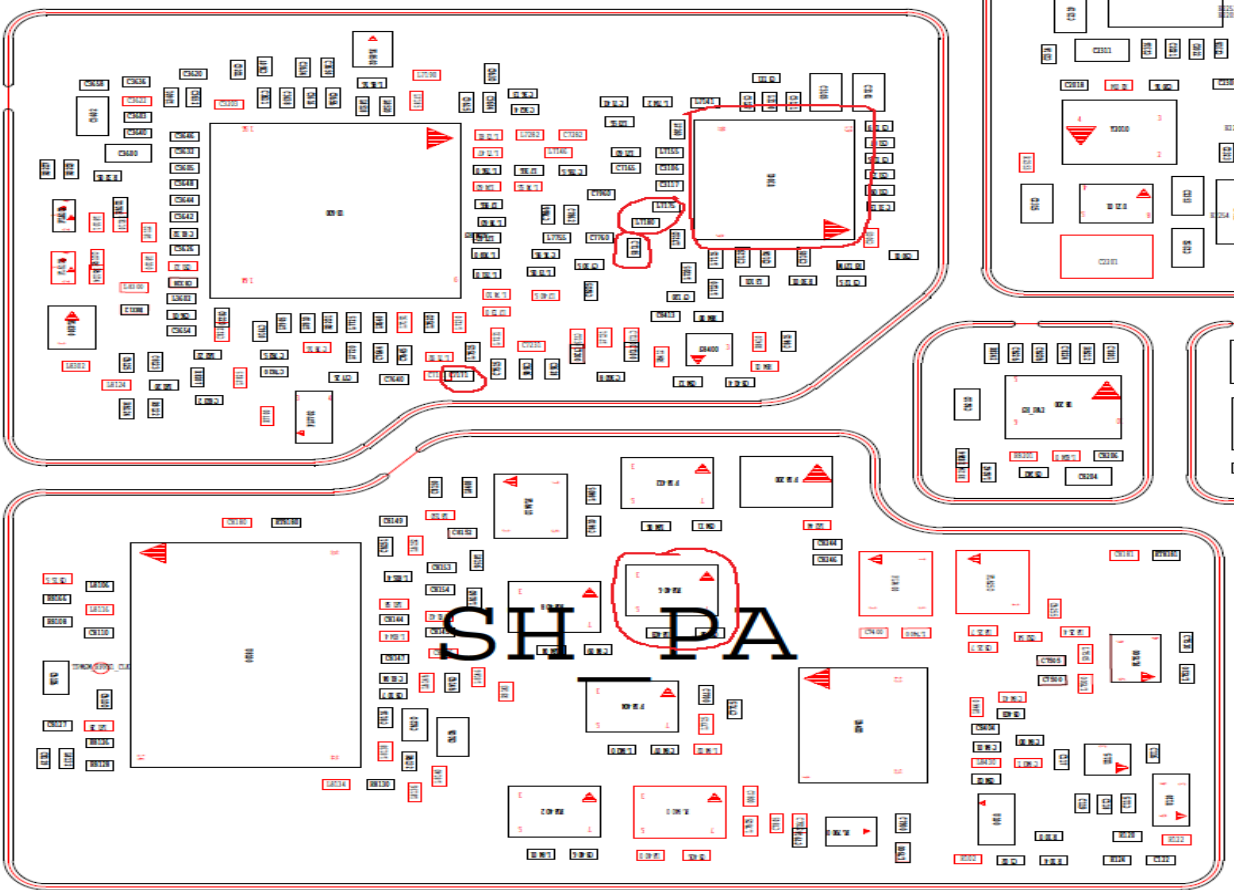


Figure 1.7

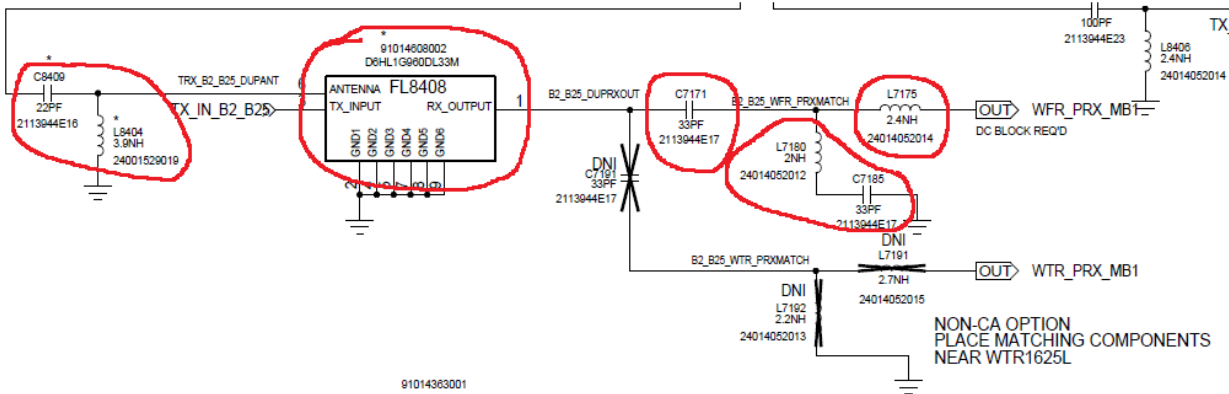
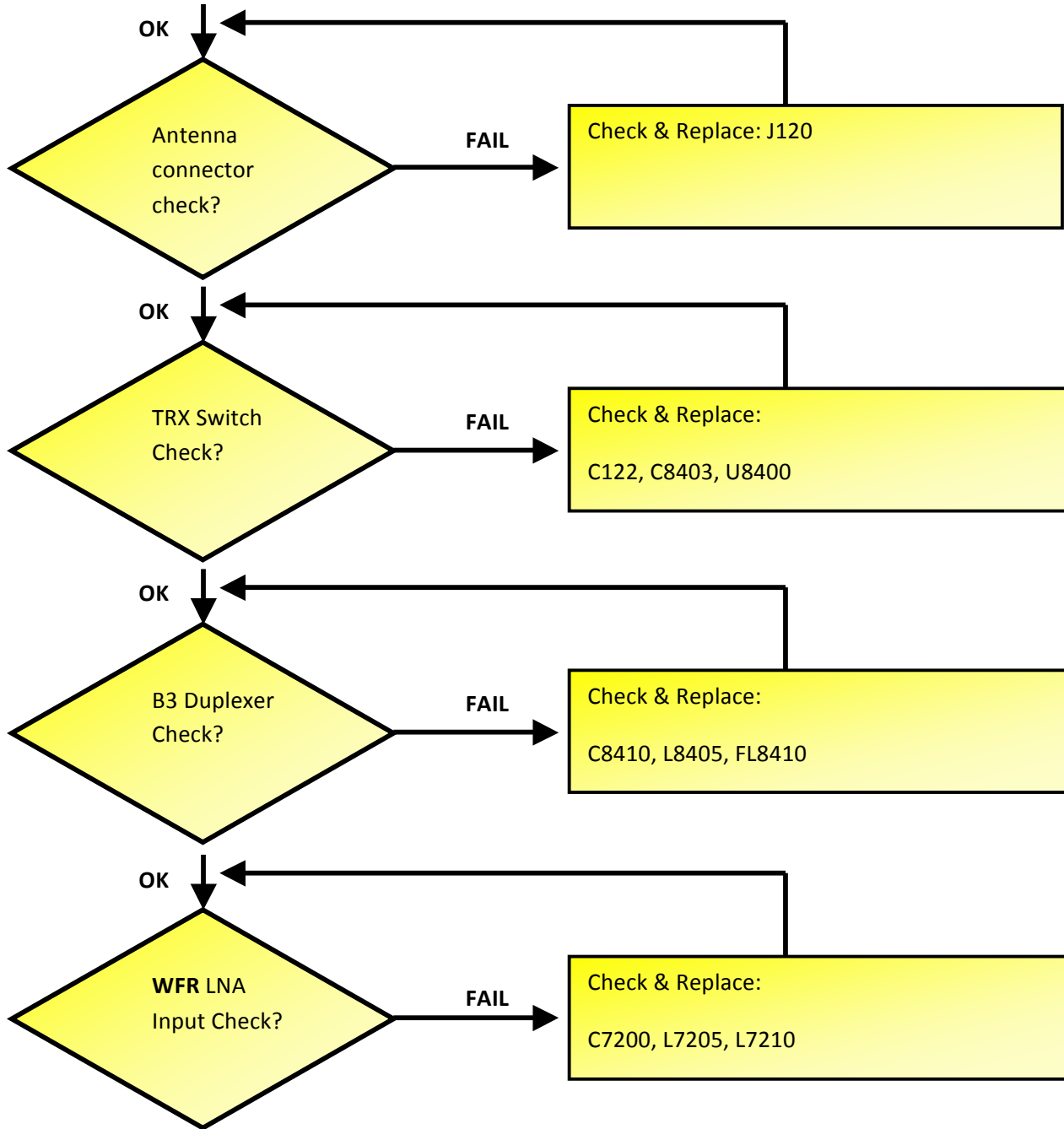


Figure 1.8

LTE B3 **C0** RX ATT & VZW SKUs

# L3 Moto X RF Troubleshooting Guide

RF Test

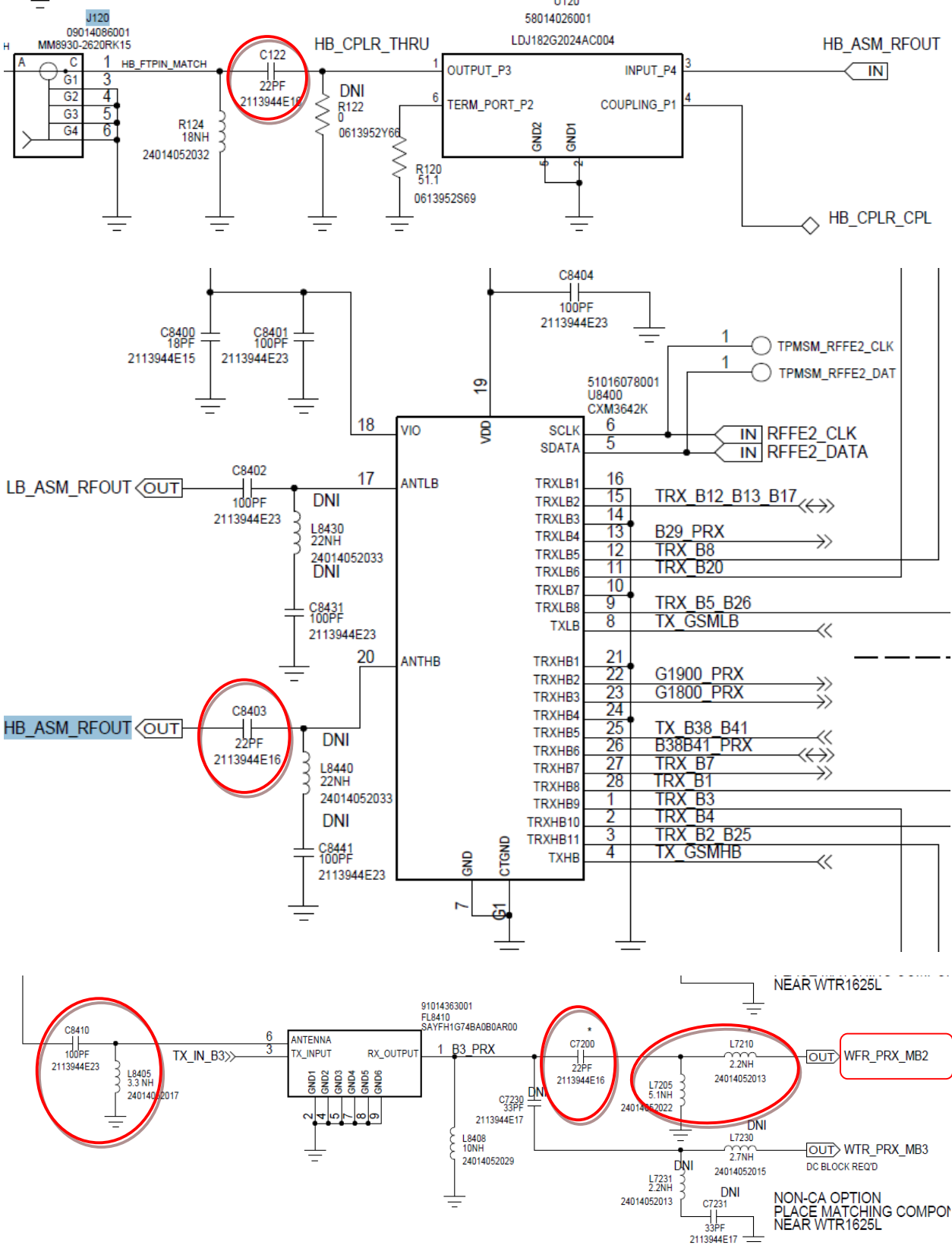


TITLE

MODEL

# L3 Moto X RF Troubleshooting Guide

RF Test

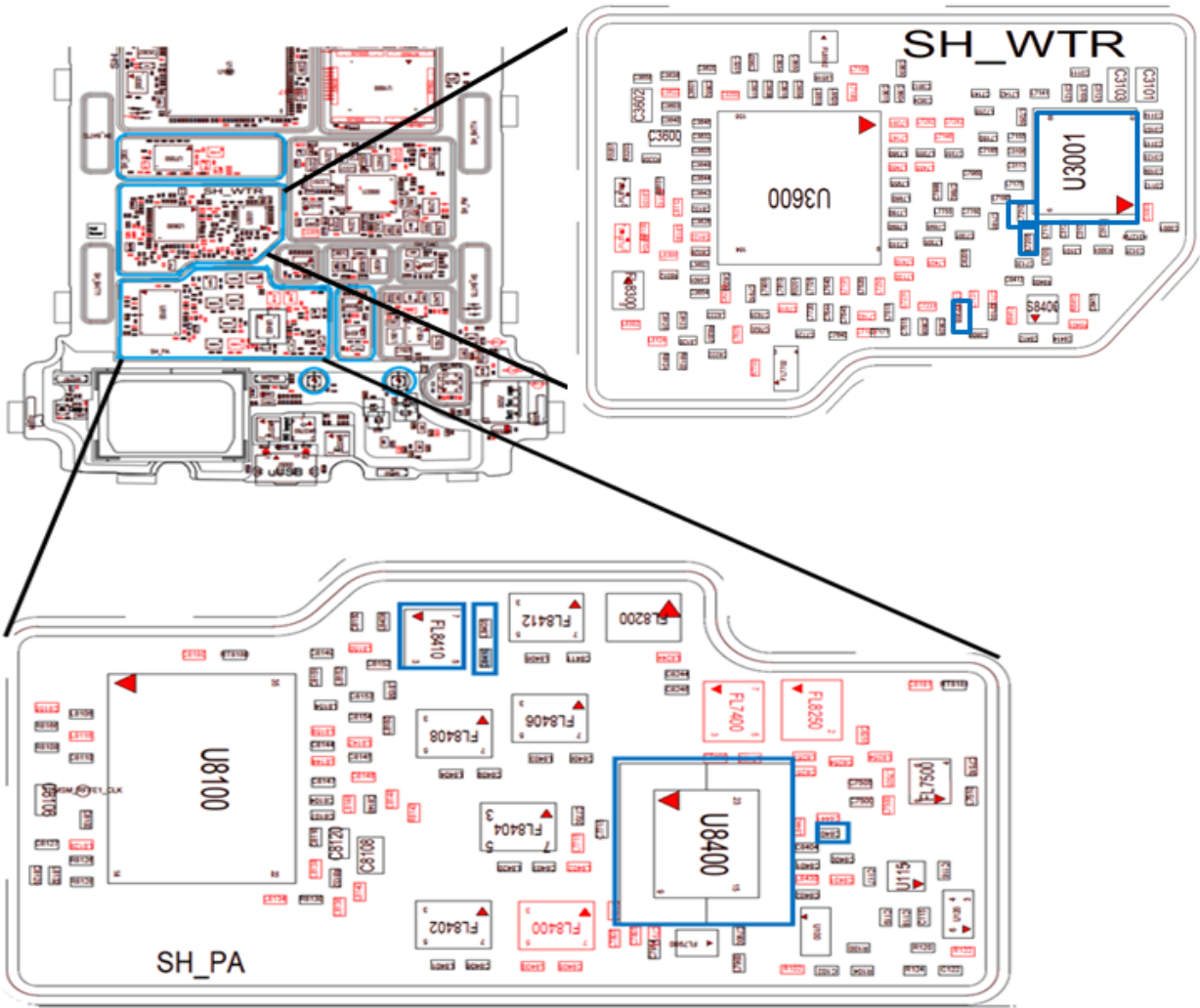


TITLE

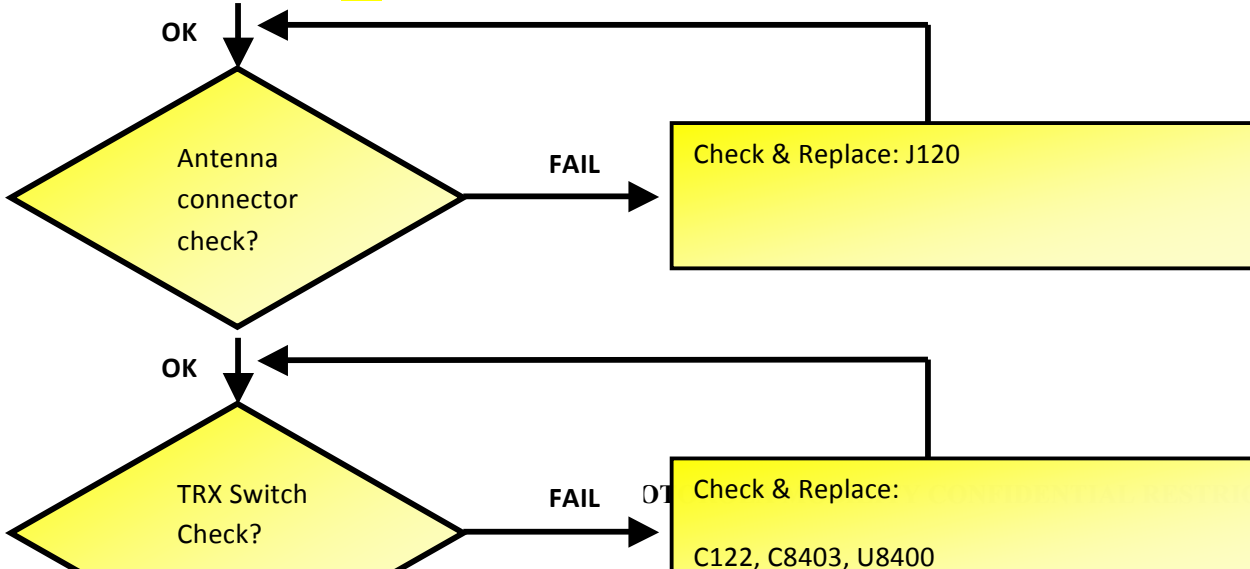
**L3 Moto X RF Troubleshooting Guide**

MODEL

**RF Test**



**LTE & WCDMA B3 C0 RX EU SKU**

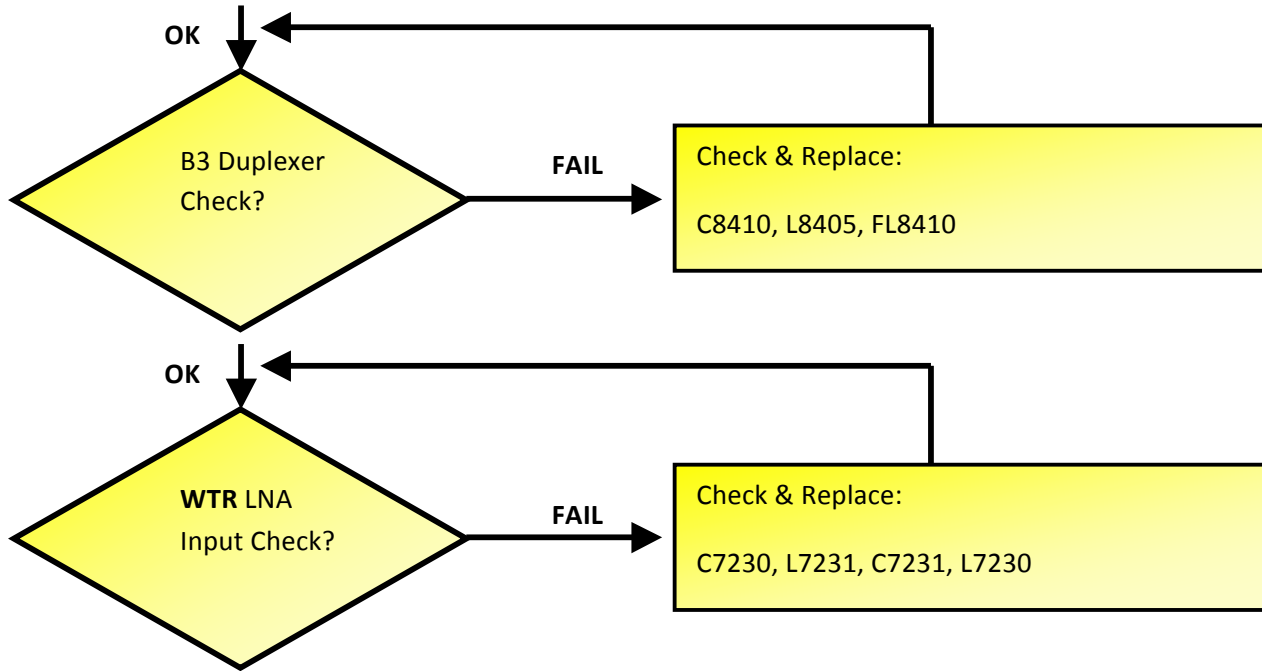


TITLE

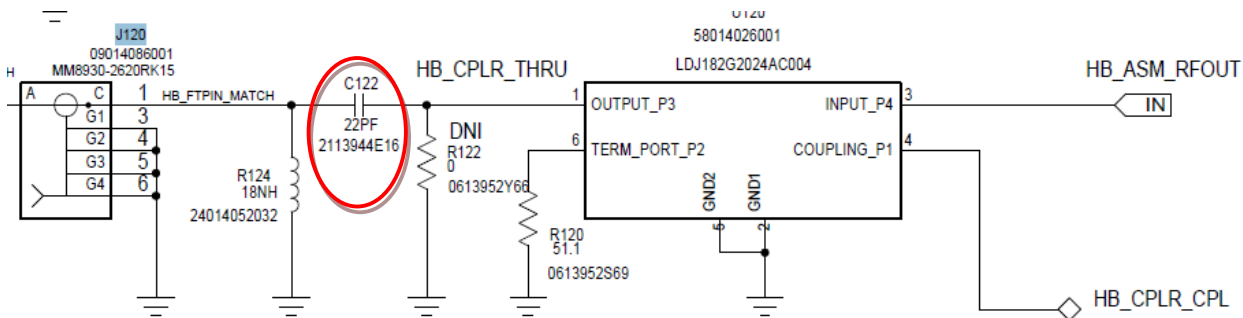
**L3 Moto X RF Troubleshooting Guide**

MODEL

**RF Test**



**FAIL**

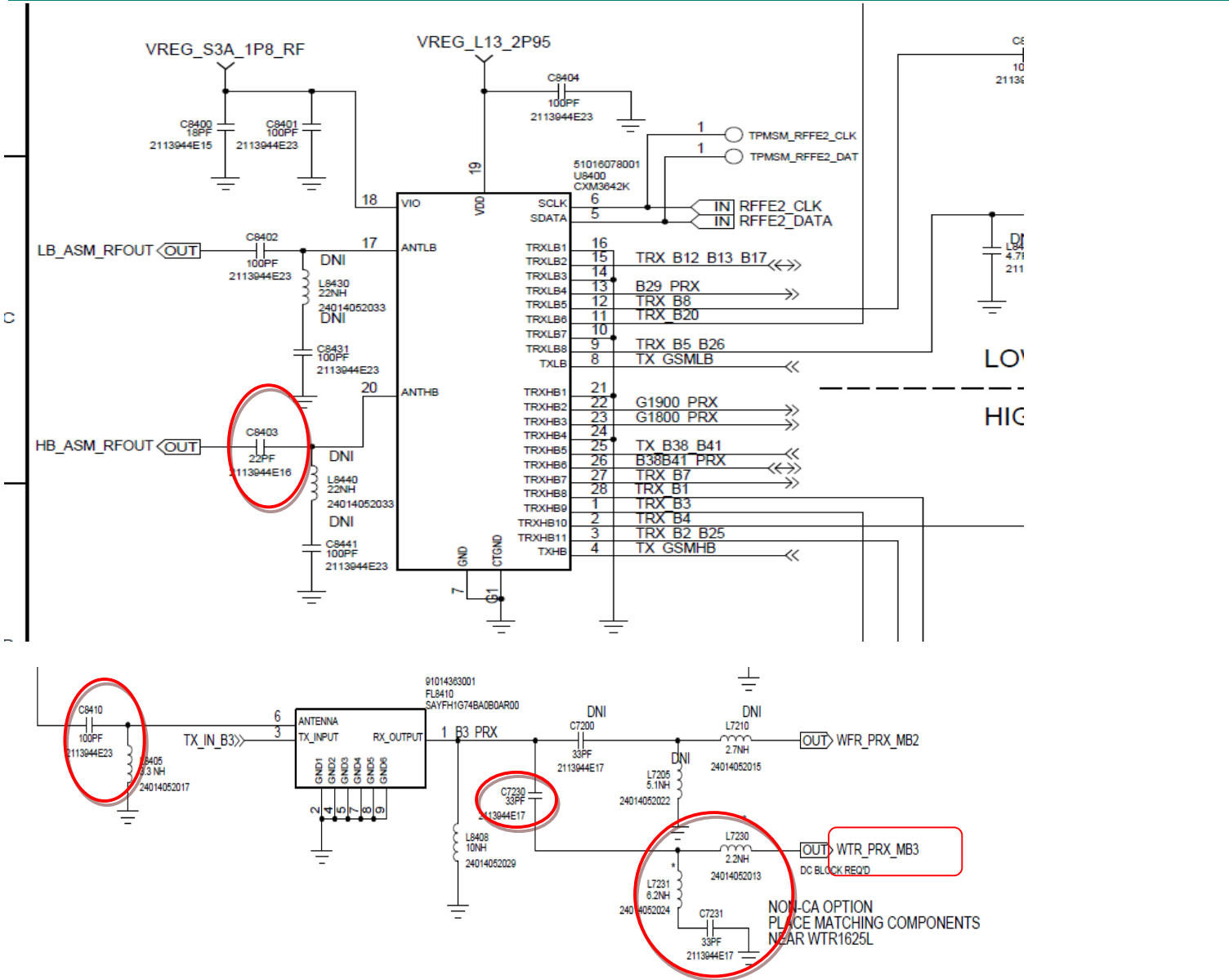


TITLE

# L3 Moto X RF Troubleshooting Guide

MODEL

RF Test

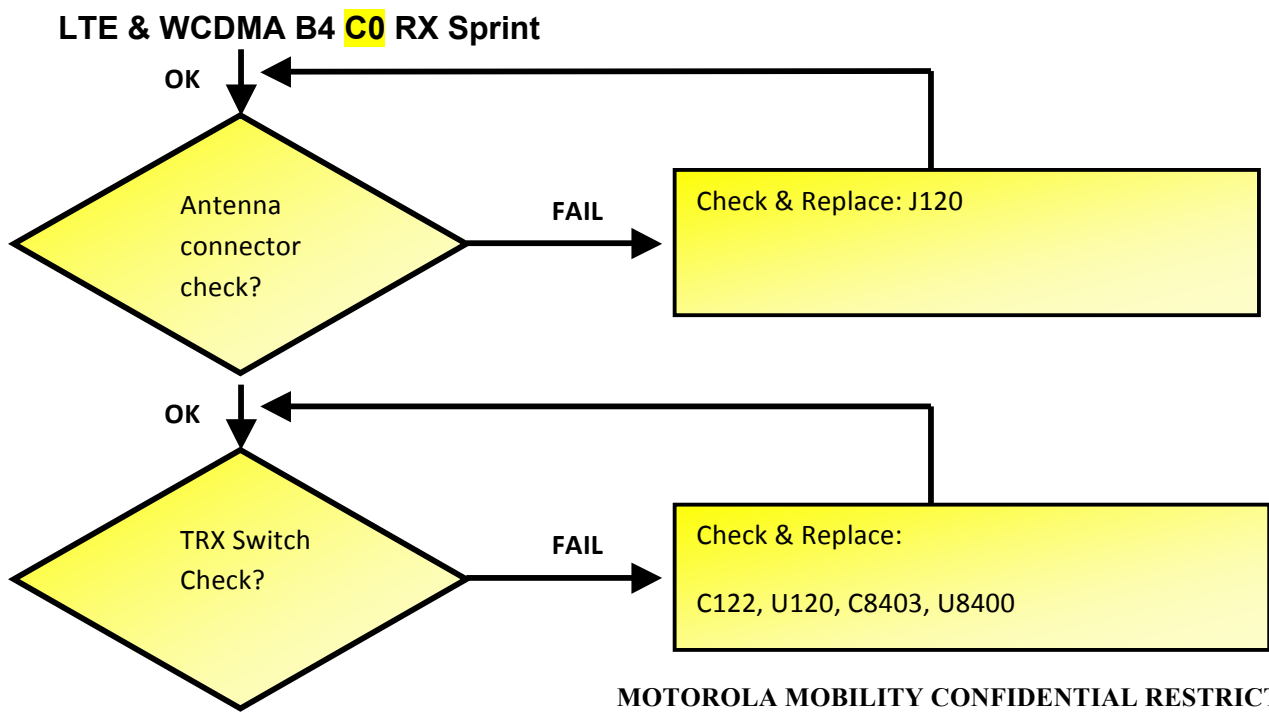
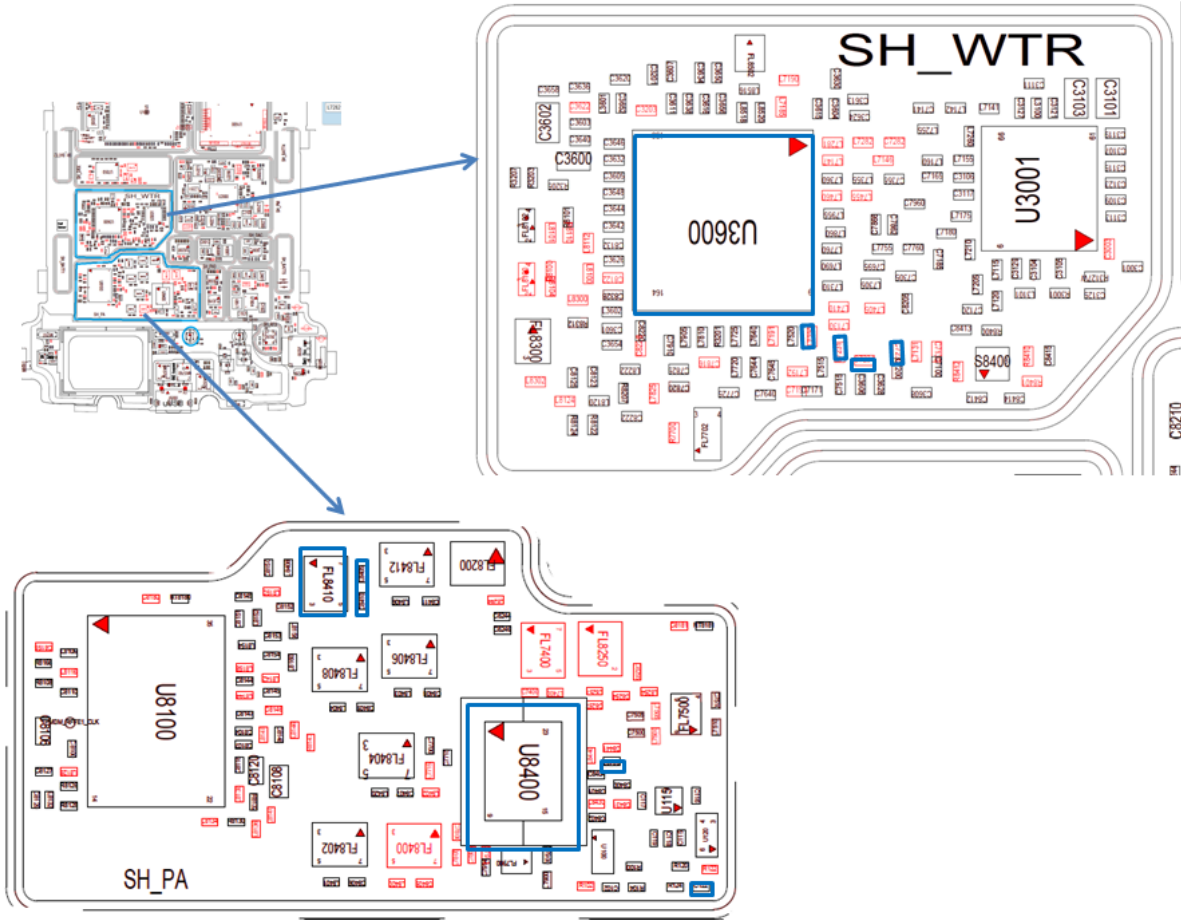


TITLE

**L3 Moto X RF Troubleshooting Guide**

MODEL

**RF Test**



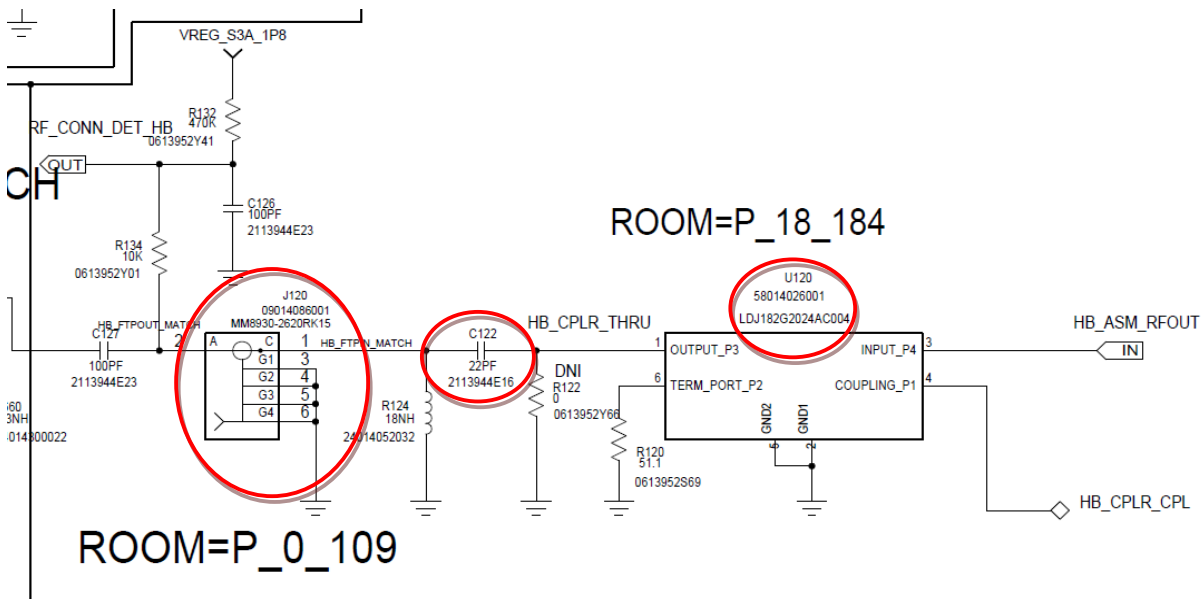
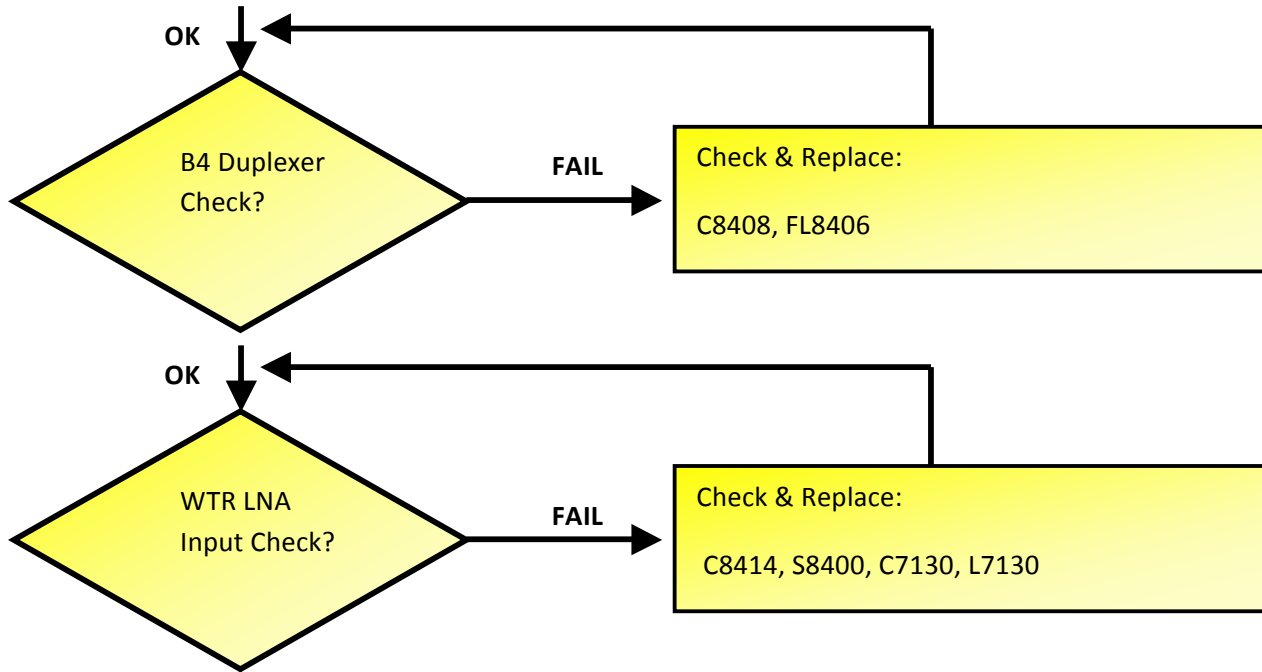


TITLE

MODEL

# L3 Moto X RF Troubleshooting Guide

RF Test

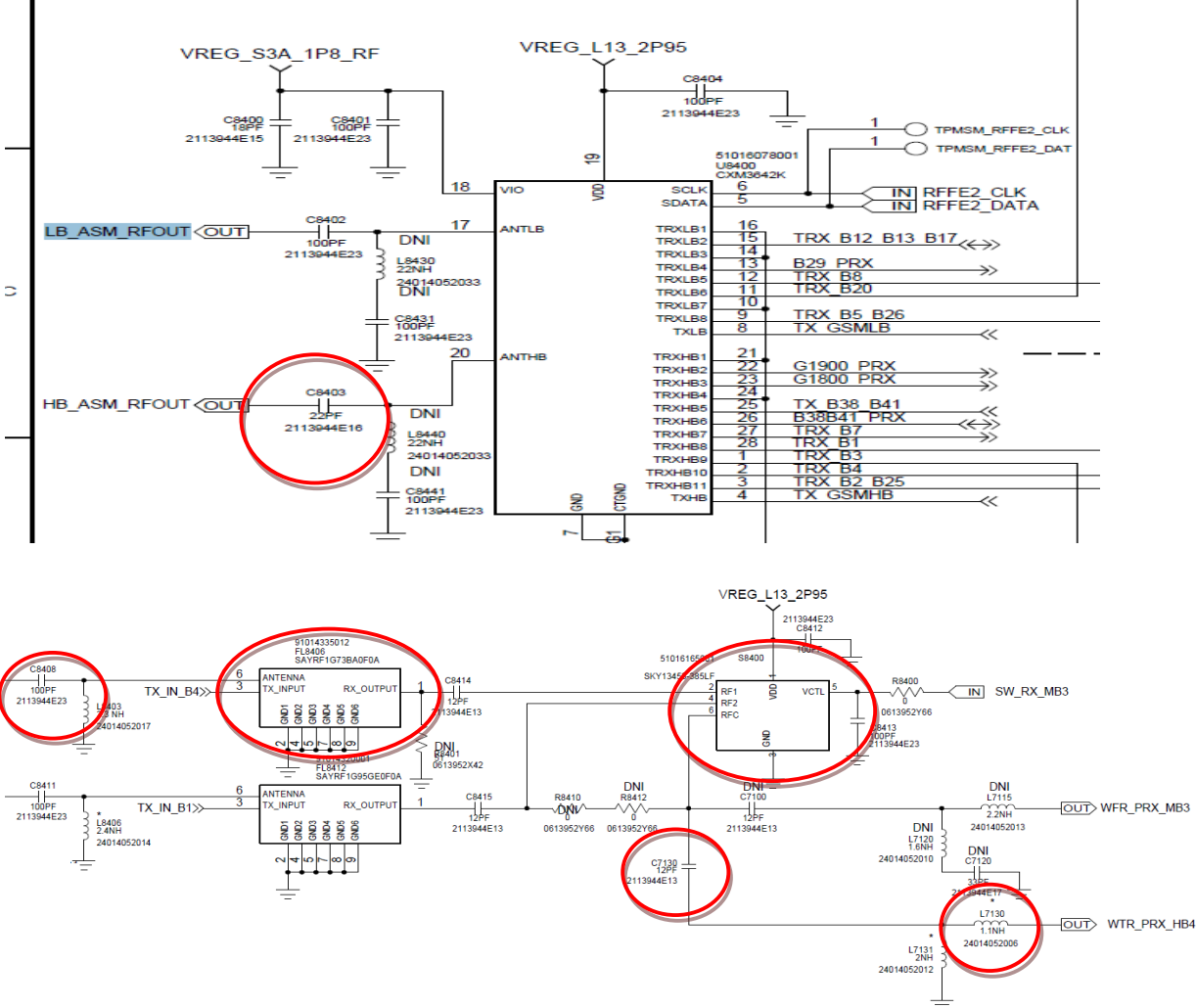


TITLE

# L3 Moto X RF Troubleshooting Guide

MODEL

RF Test

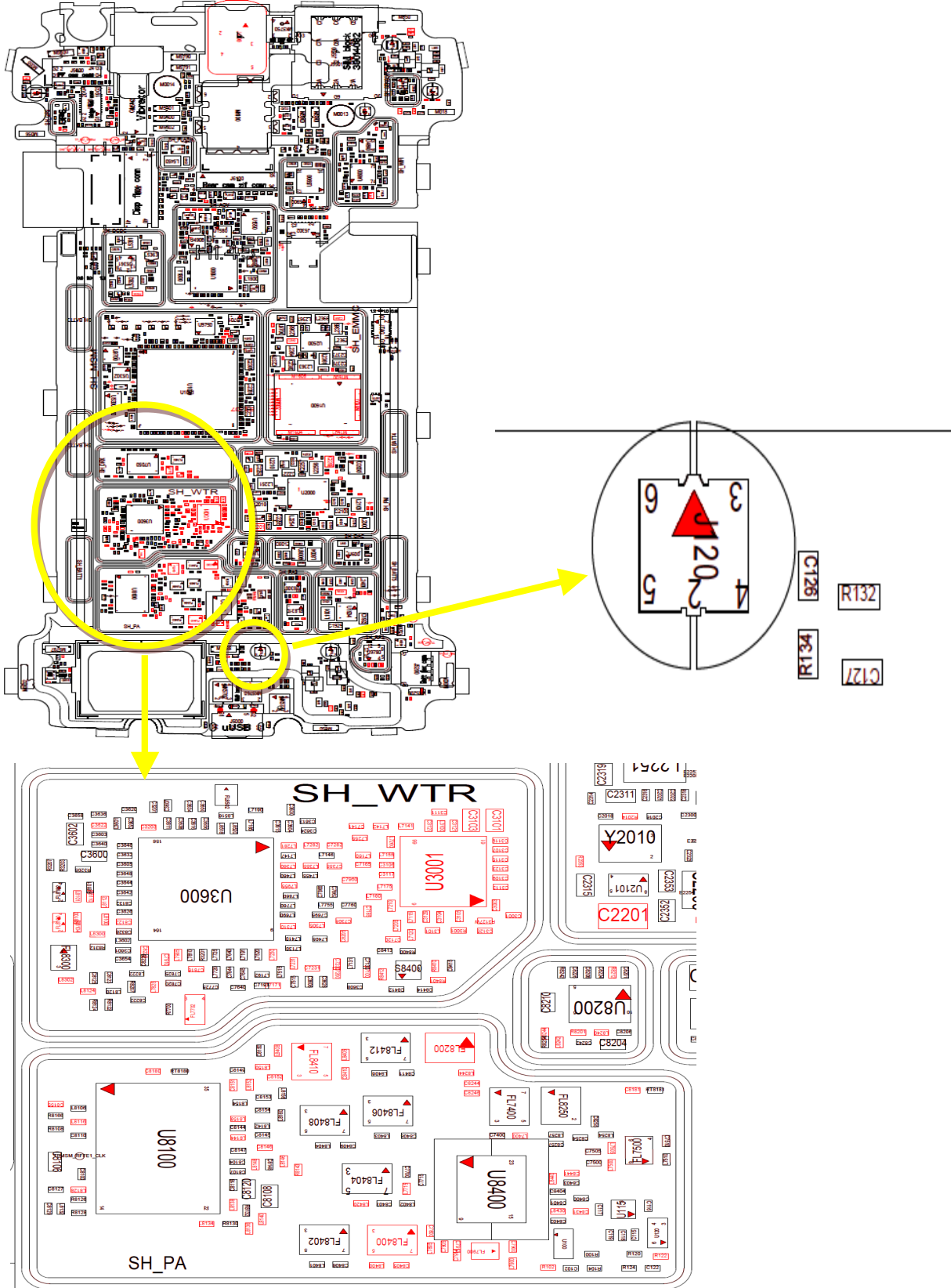


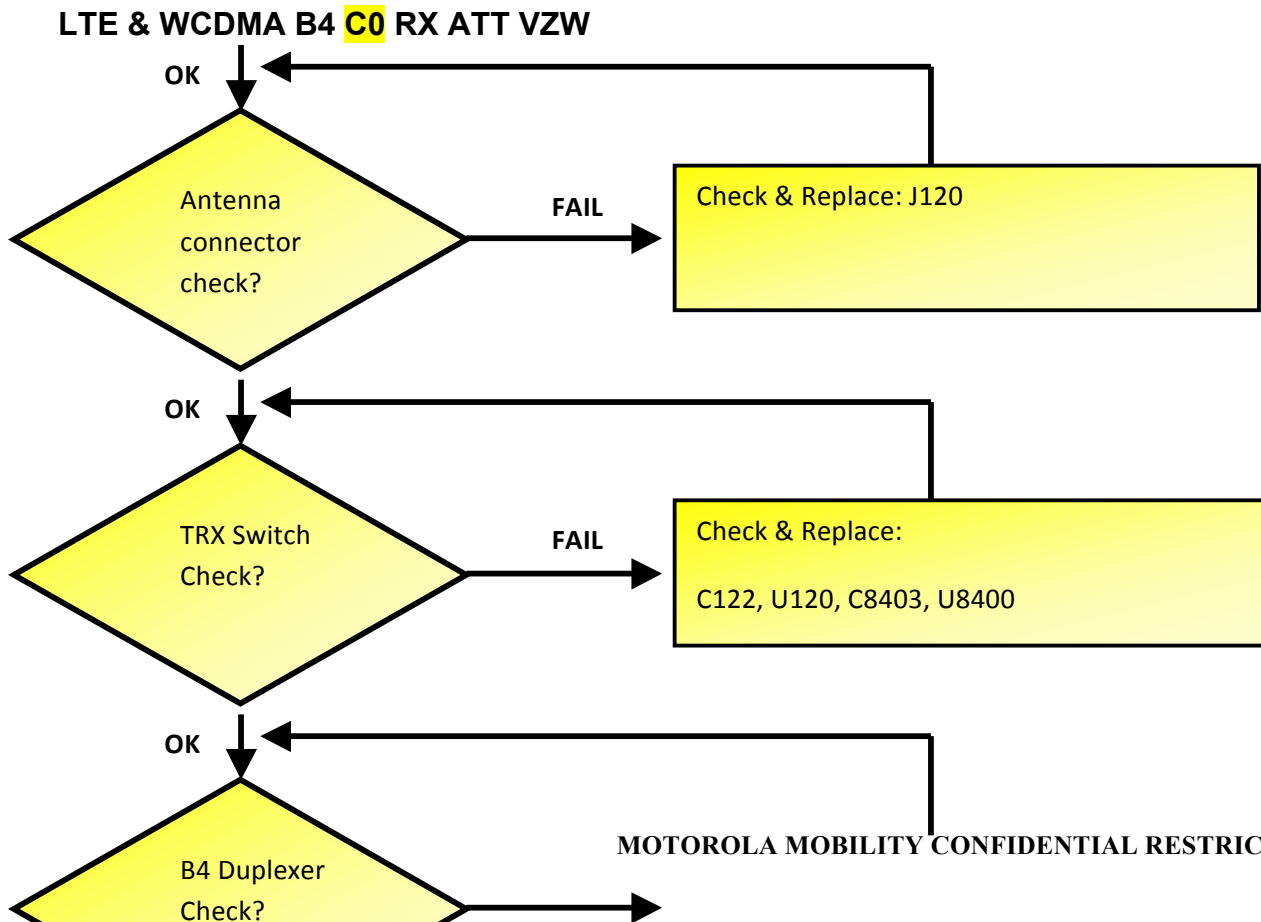
TITLE

# L3 Moto X RF Troubleshooting Guide

MODEL

RF Test





TITLE

L3 Moto X RF Troubleshooting Guide

MODEL

RF Test

FAIL

Check & Replace:

C8408, FL8406

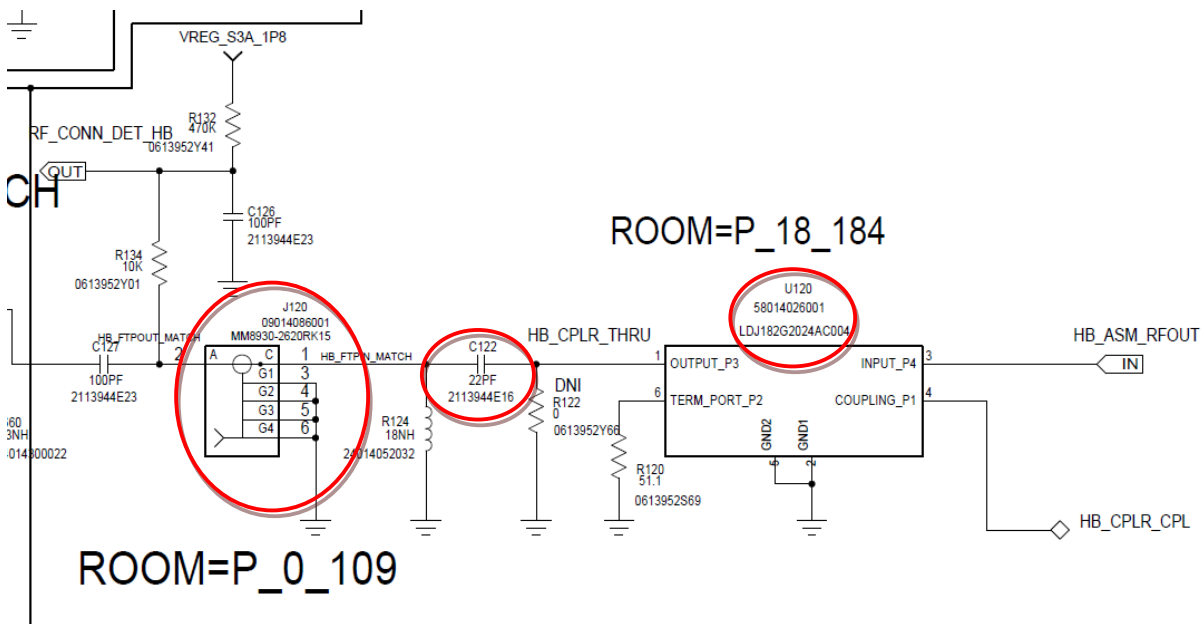
OK

WFR LNA  
Input Check?

FAIL

Check & Replace:

C8414, S8400, C7100, L7115

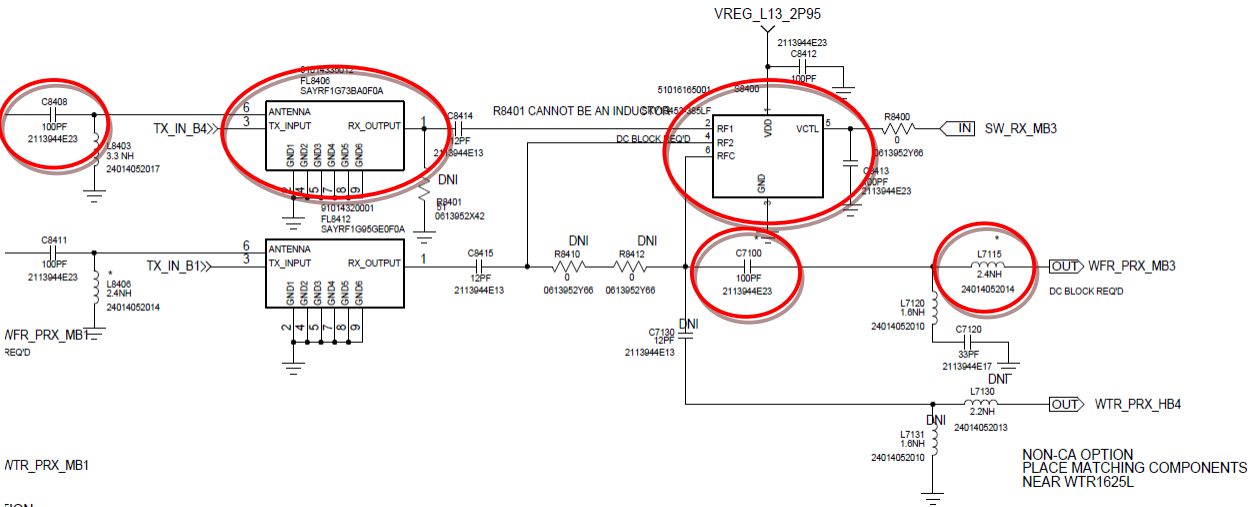
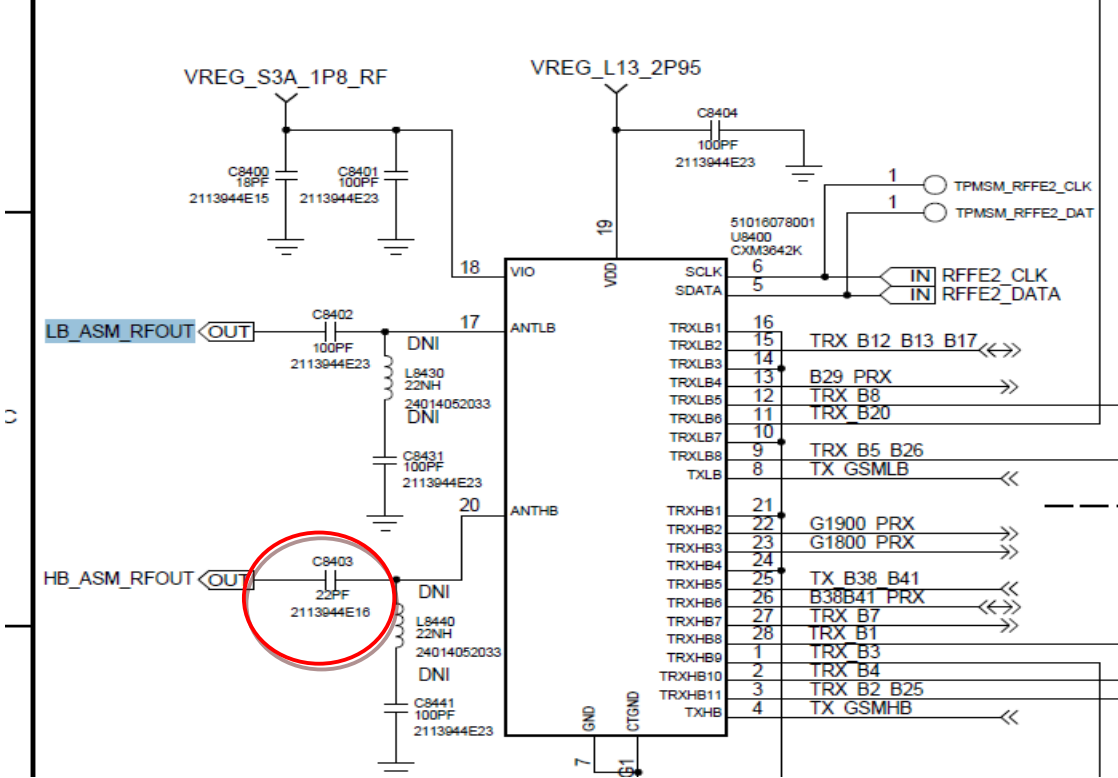


TITLE

# L3 Moto X RF Troubleshooting Guide

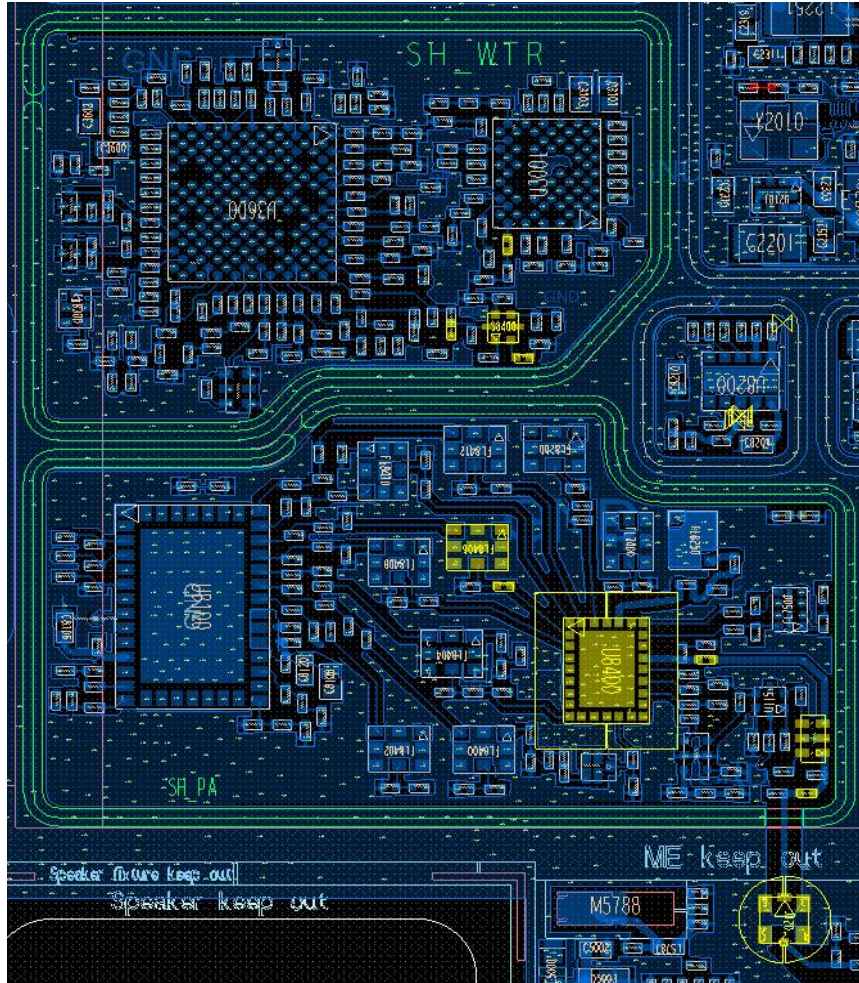
MODEL

RF Test

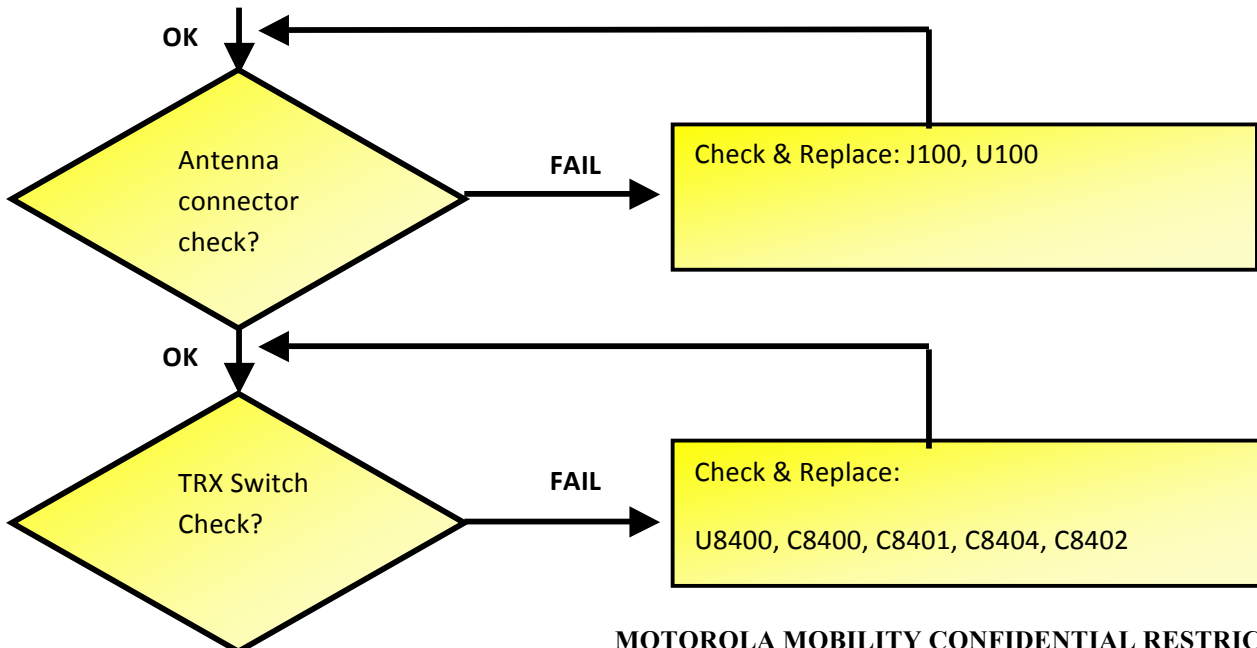


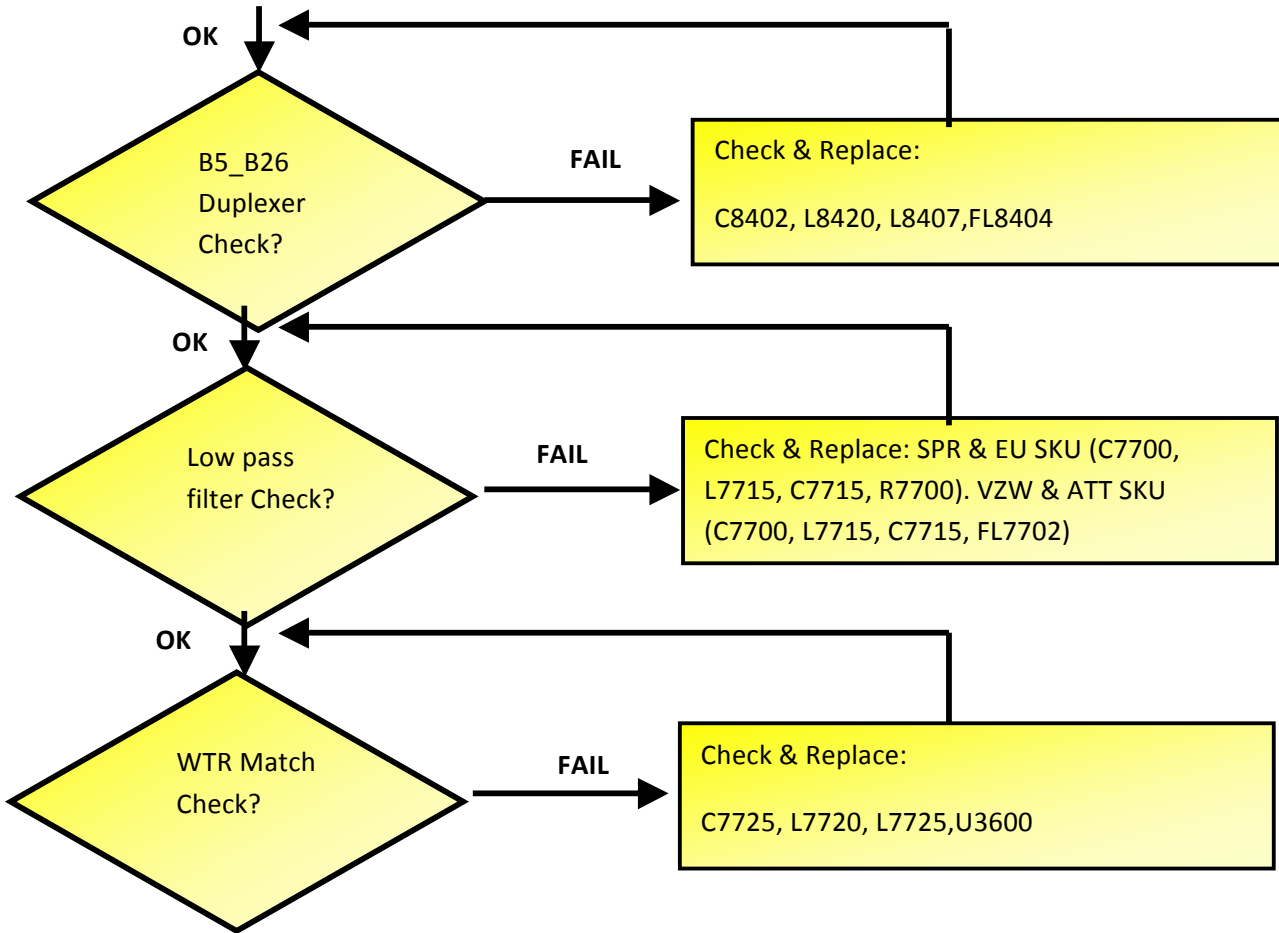
L3 Moto X RF Troubleshooting Guide

RF Test



LTE B 5&26, WCDMA B5, CDMA BC0&BC10, GSM850 **C0** RX







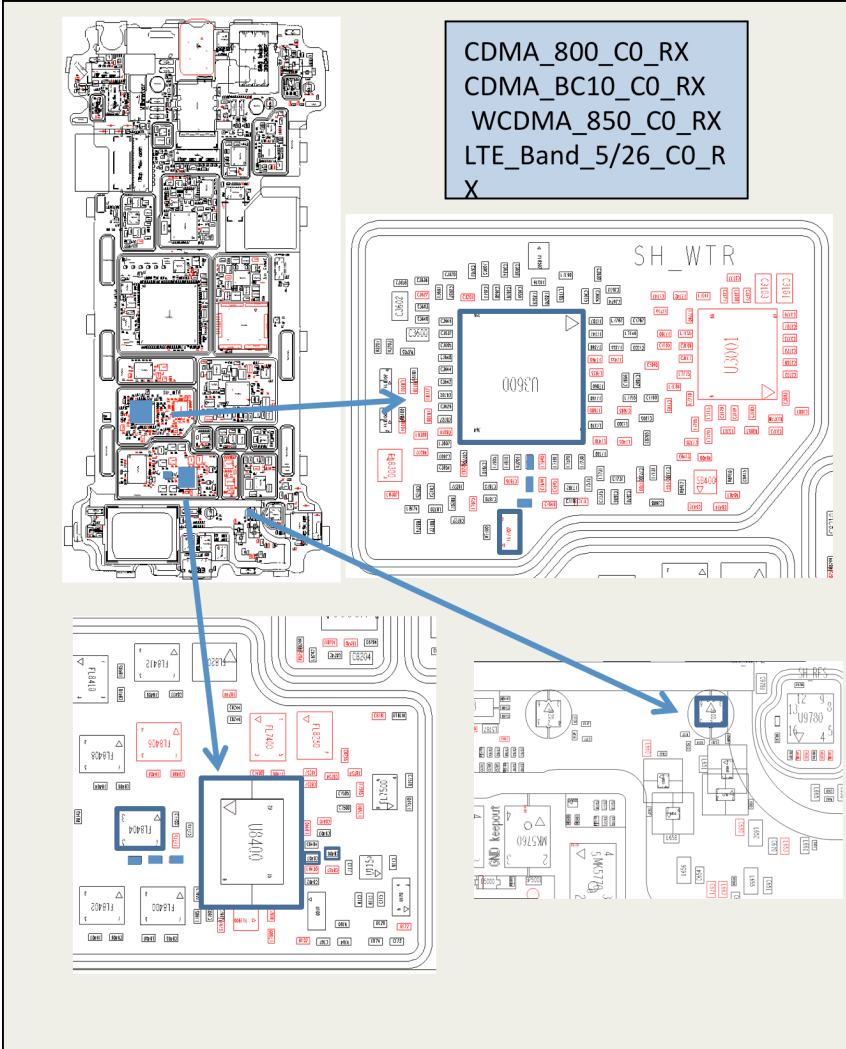


TITLE

# L3 Moto X RF Troubleshooting Guide

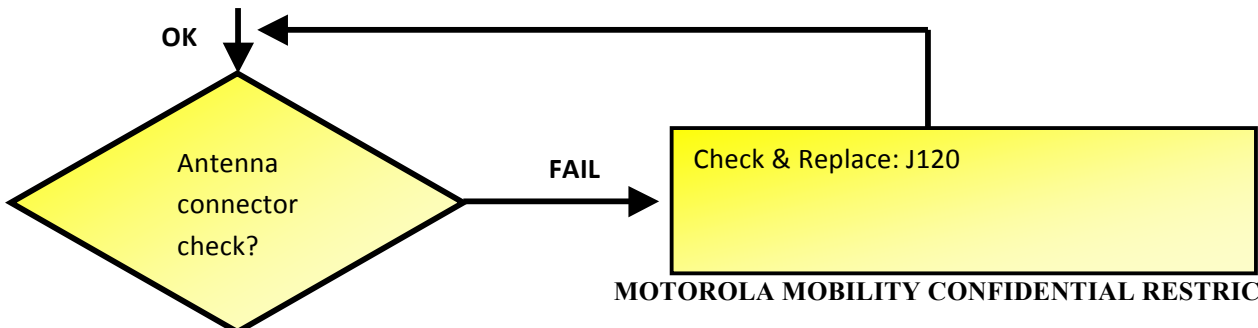
MODEL

RF Test



CDMA\_800\_CO\_RX  
 CDMA\_BC10\_CO\_RX  
 WCDMA\_850\_CO\_RX  
 LTE\_Band\_5/26\_CO\_R  
 X

## LTE B7 C0 RX ATT & VZW & EU SKUs

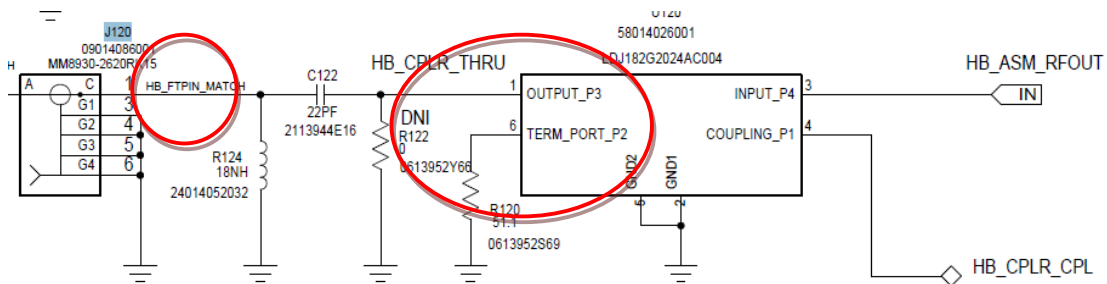
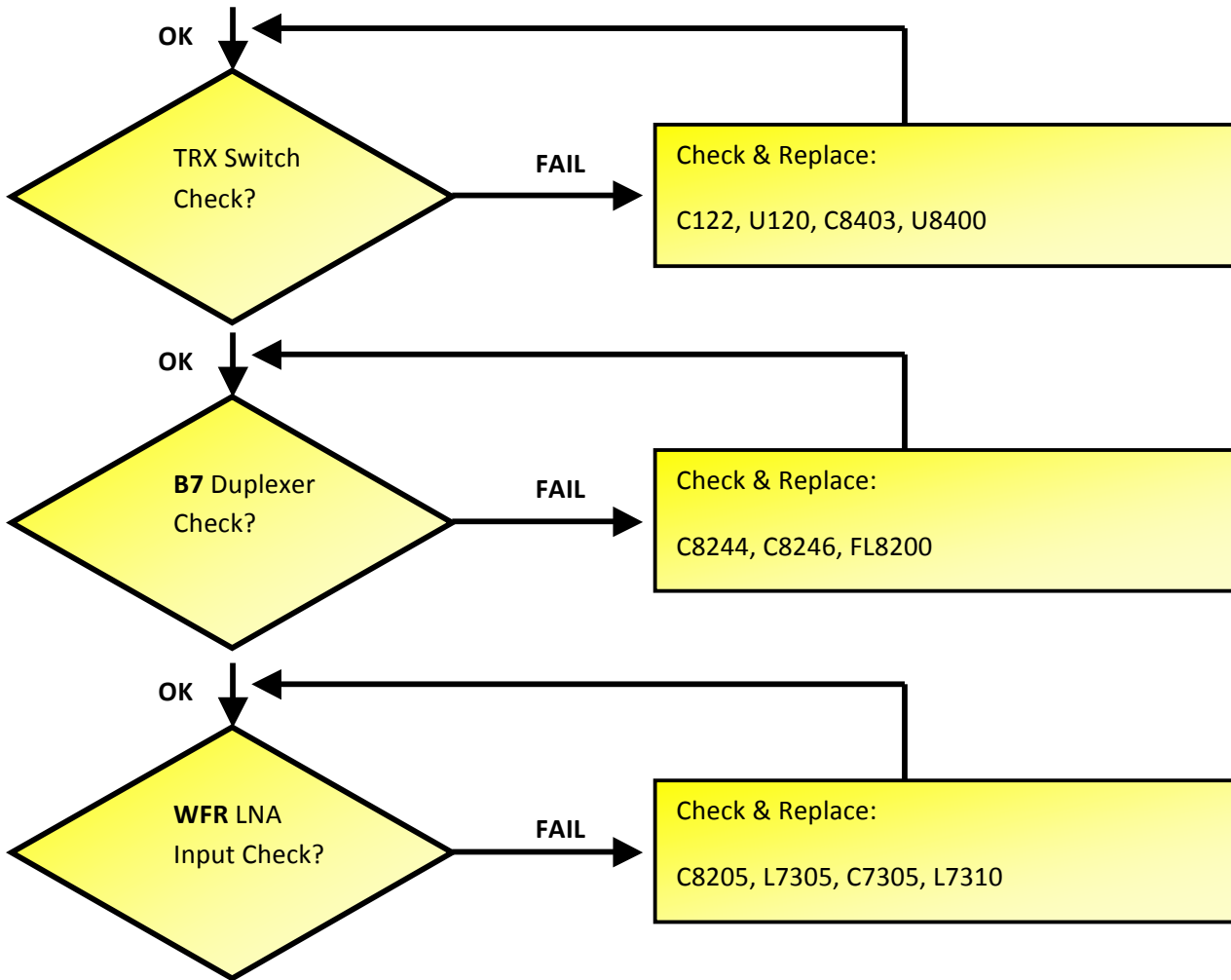


TITLE

MODEL

# L3 Moto X RF Troubleshooting Guide

RF Test

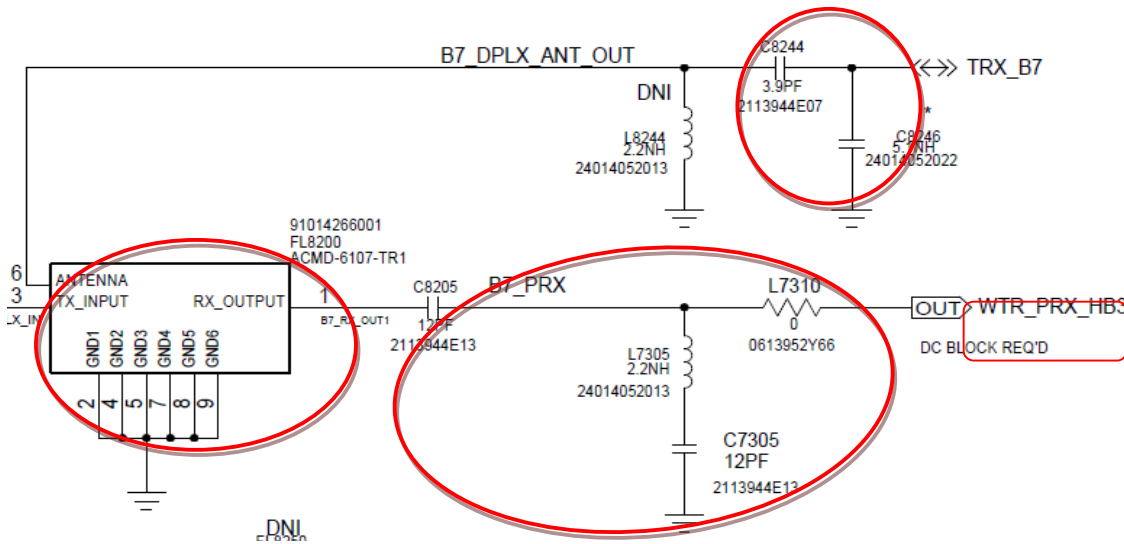
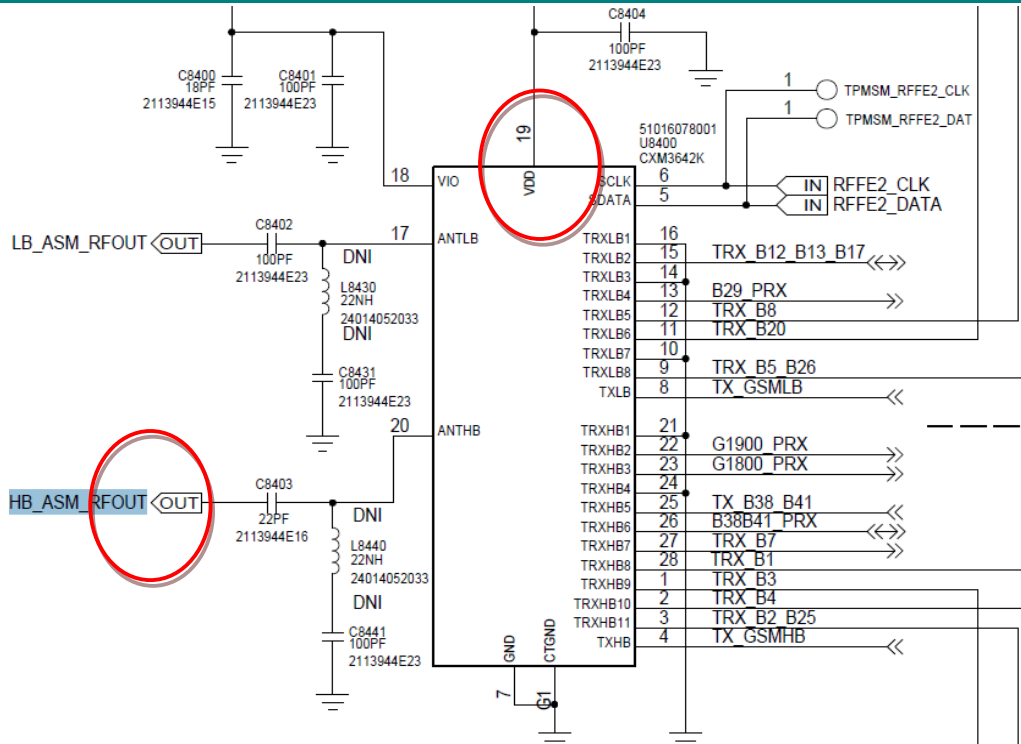


TITLE

# L3 Moto X RF Troubleshooting Guide

MODEL

RF Test



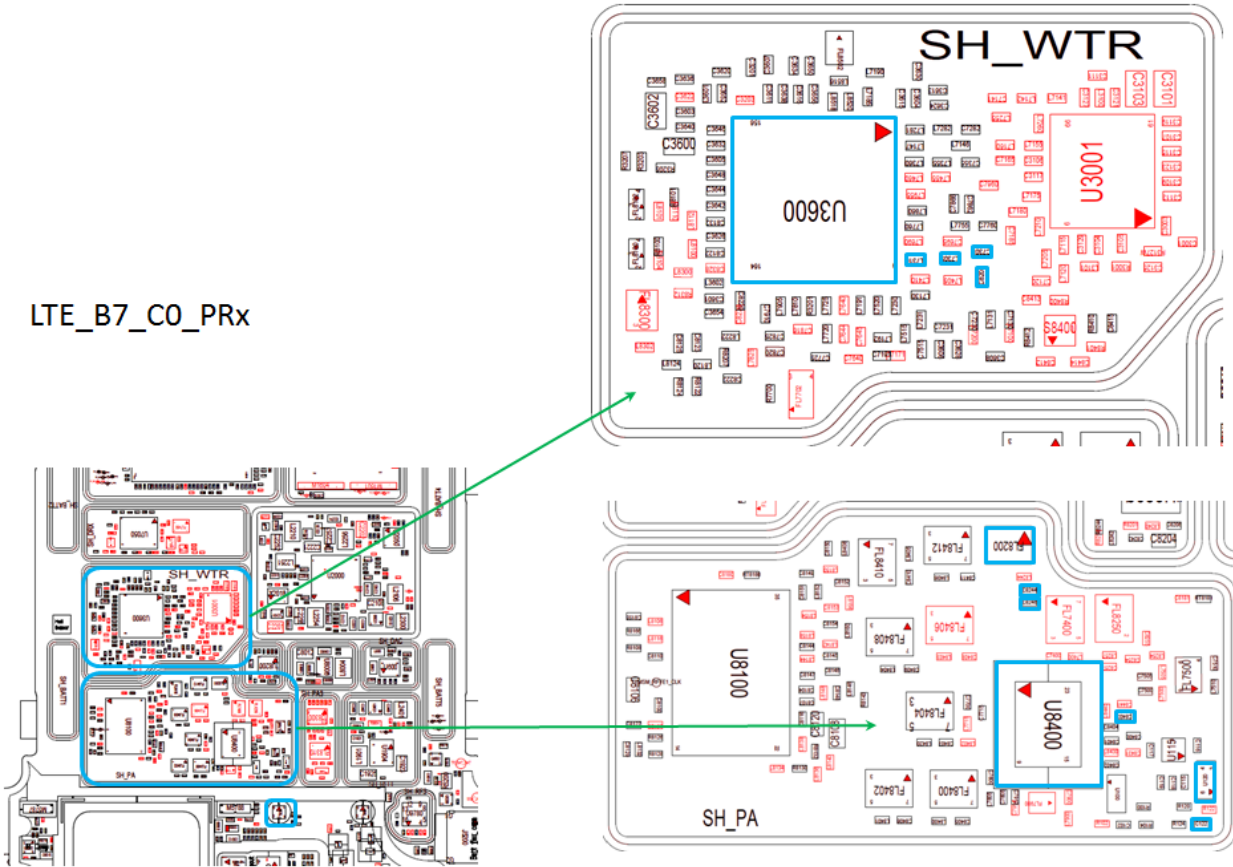
TITLE

# L3 Moto X RF Troubleshooting Guide

MODEL

RF Test

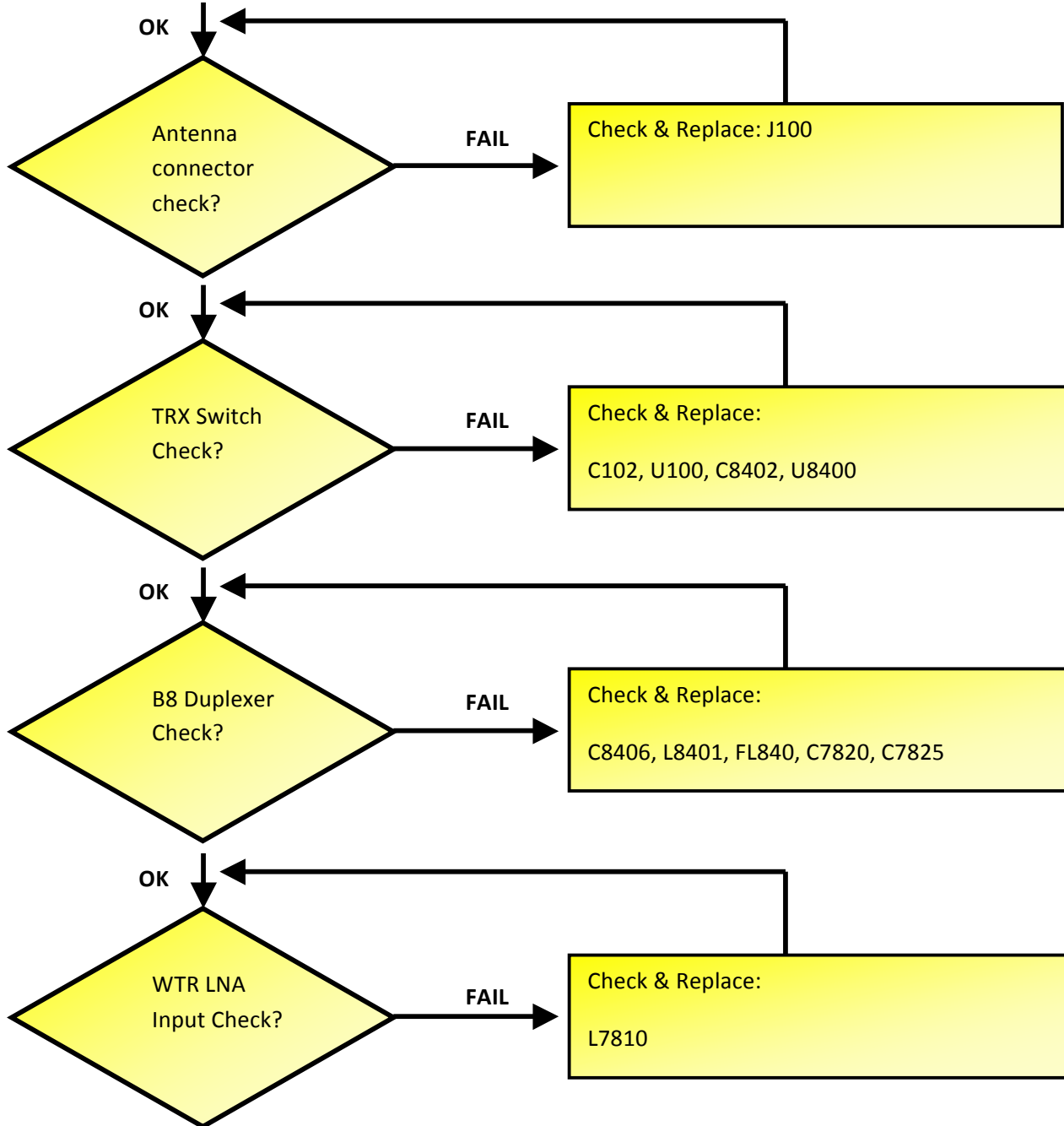
LTE\_B7\_C0\_Prx



LTE & WCDMA B8, GSM900 C0 RX

# L3 Moto X RF Troubleshooting Guide

RF Test

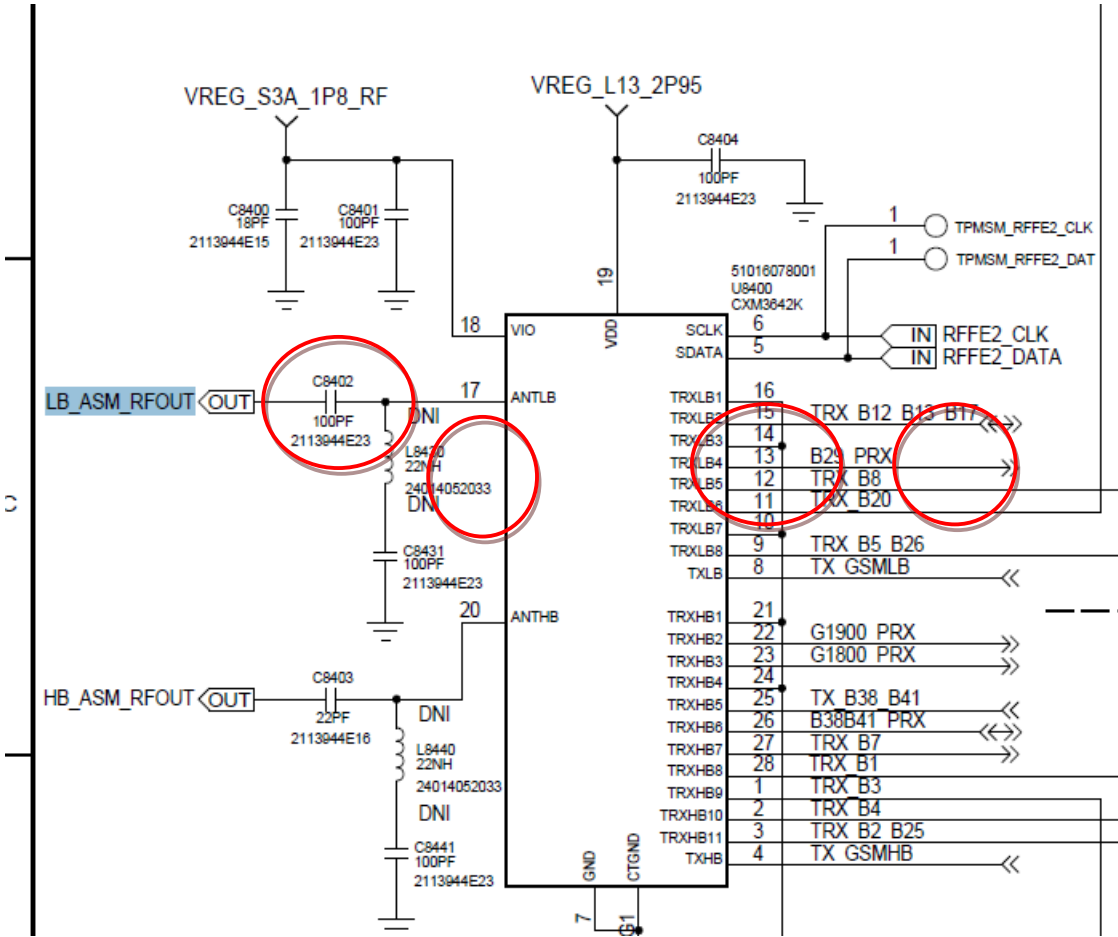
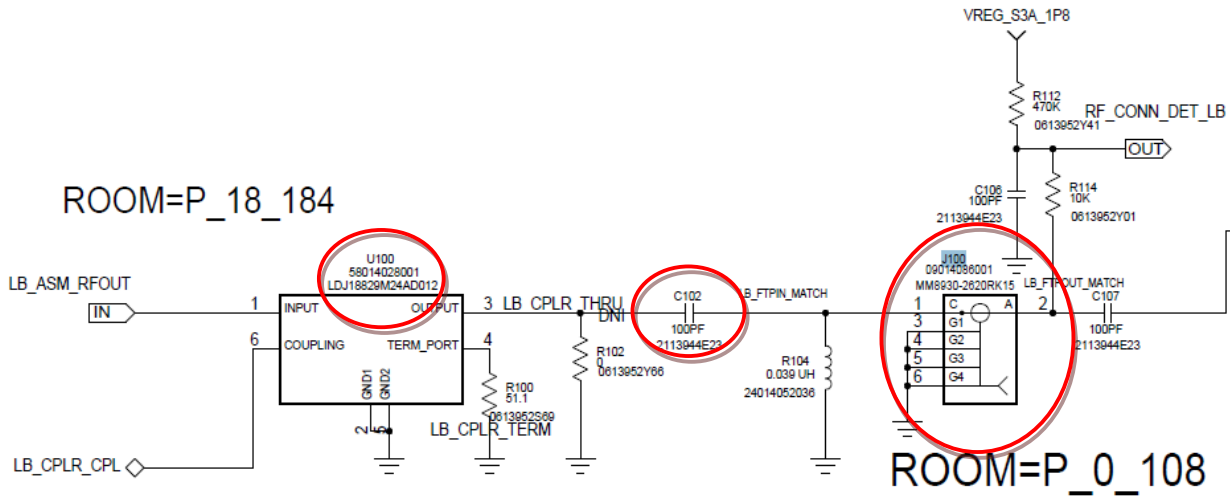


TITLE

L3 Moto X RF Troubleshooting Guide

MODEL

RF Test



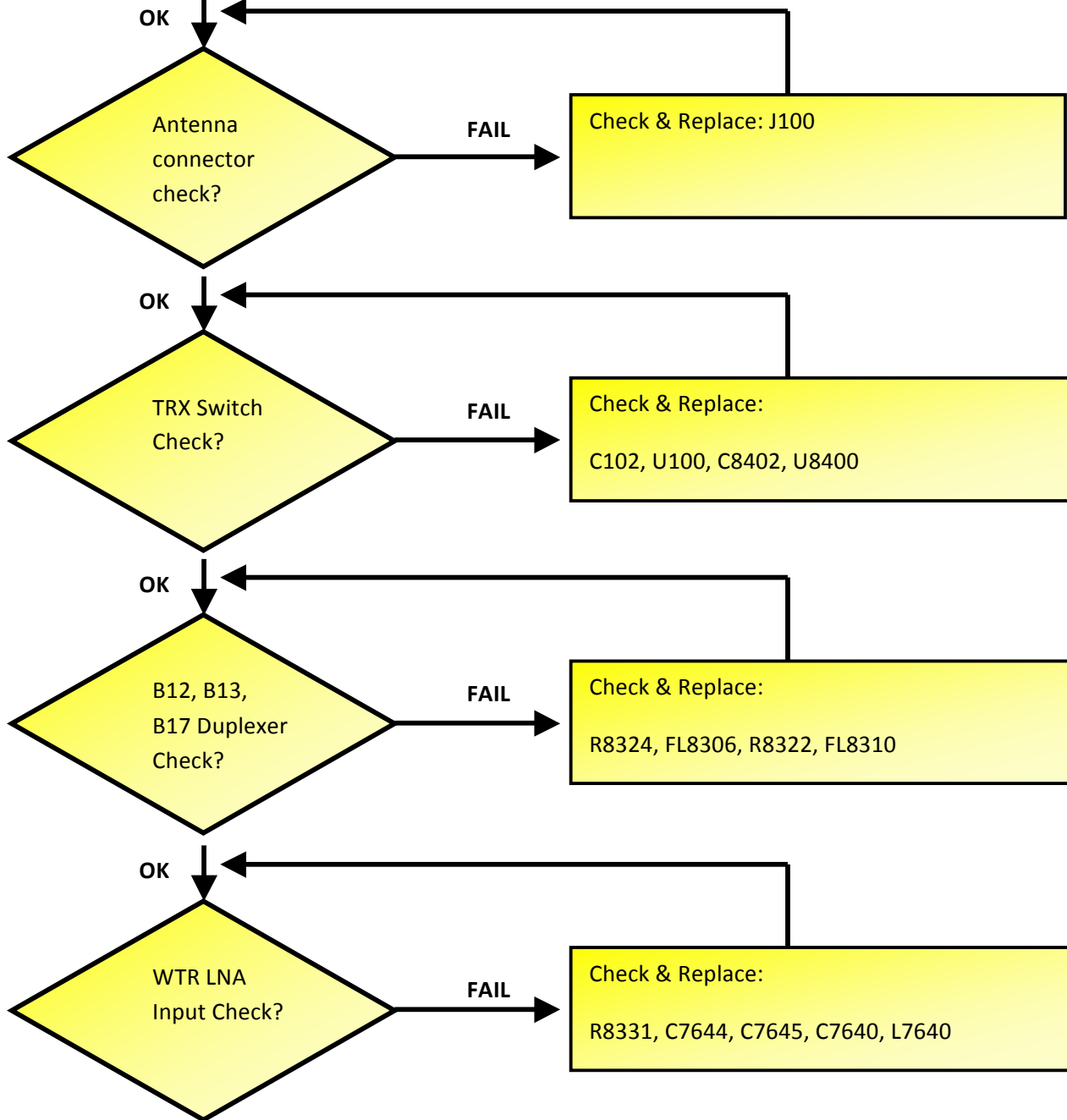




# L3 Moto X RF Troubleshooting Guide

RF Test

LTE B12 B13 B17 **C0** RX

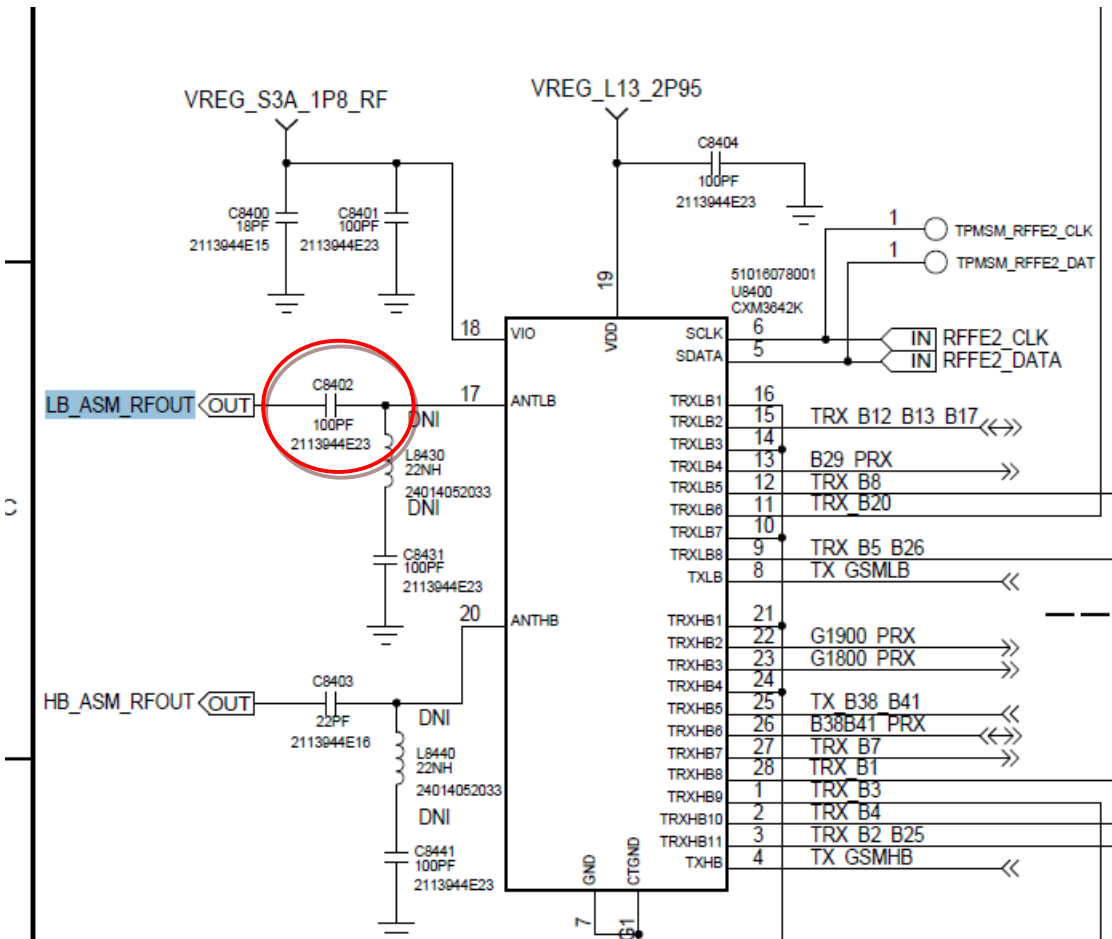
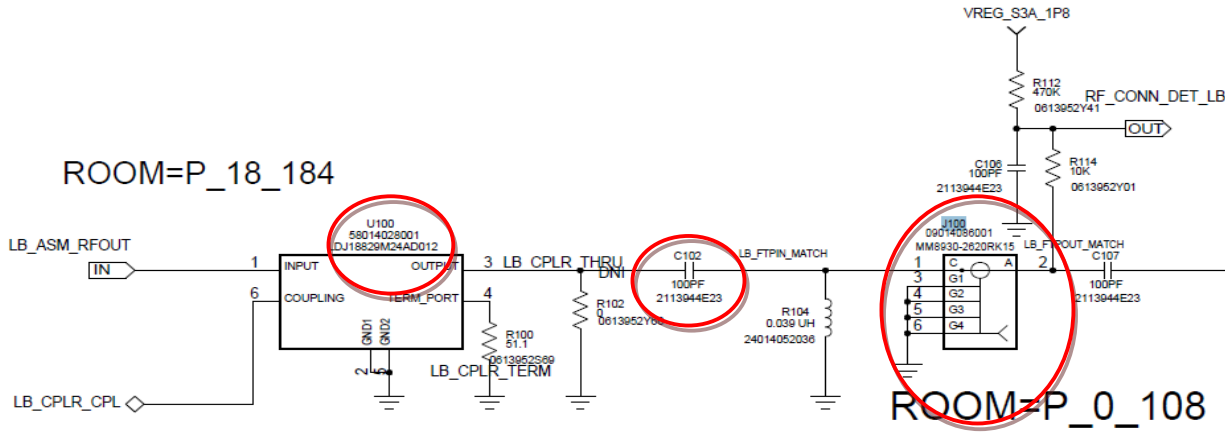


TITLE

# L3 Moto X RF Troubleshooting Guide

MODEL

RF Test

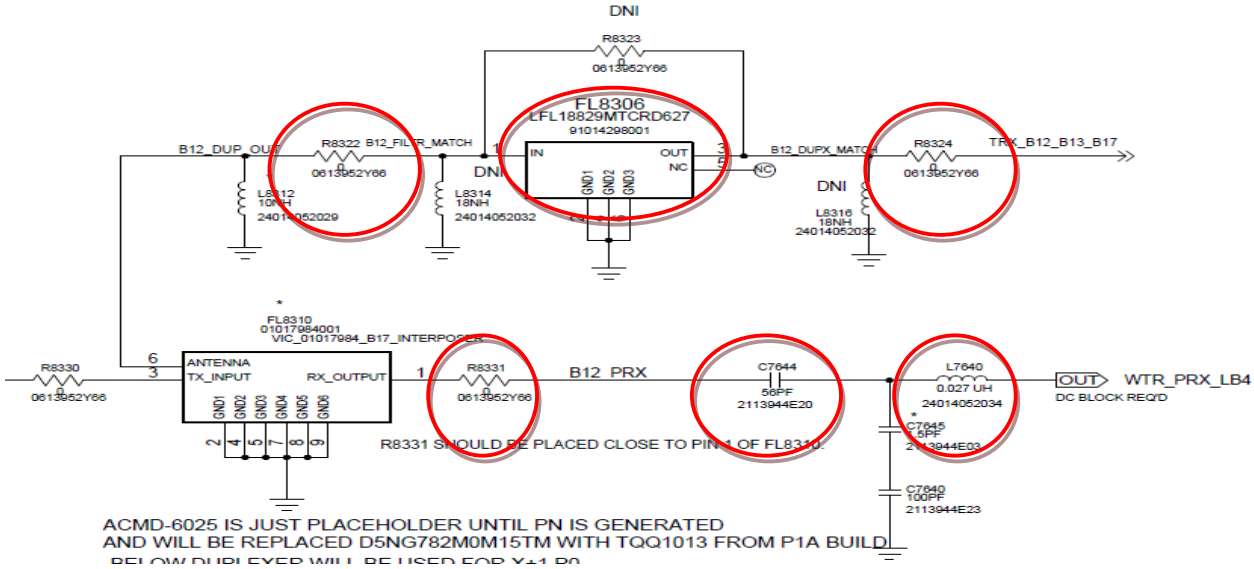


TITLE

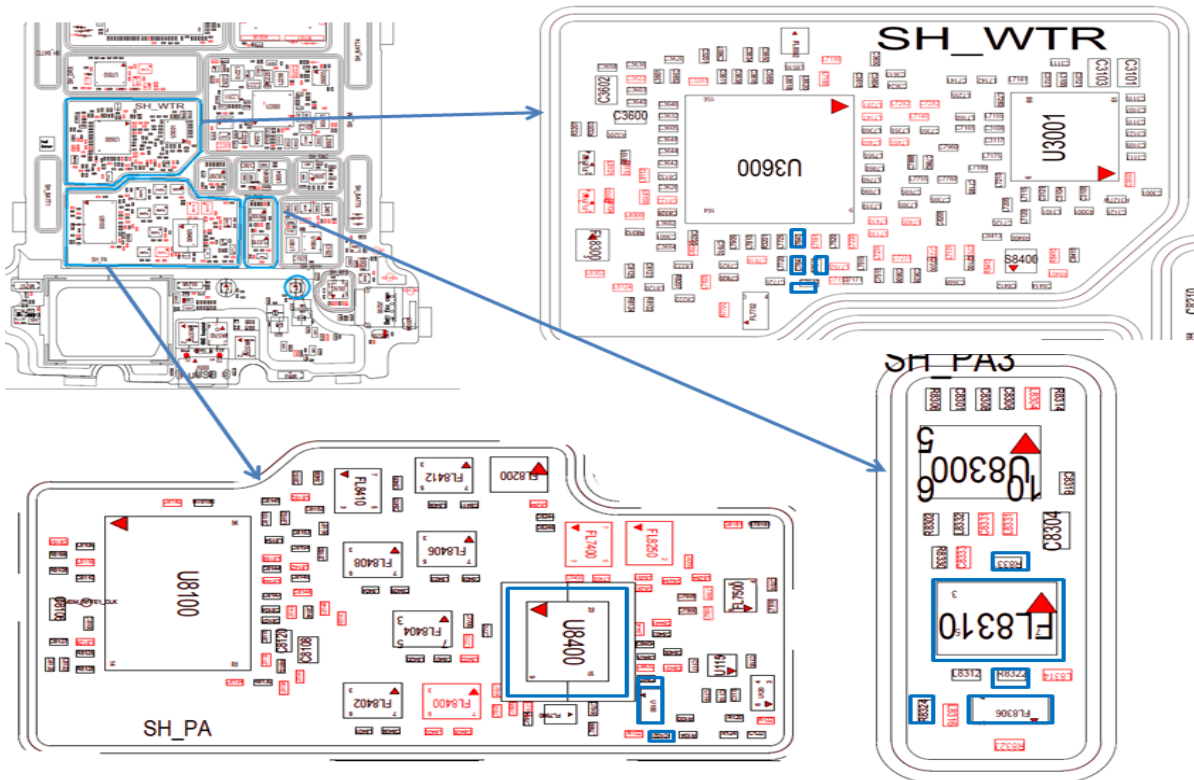
# L3 Moto X RF Troubleshooting Guide

MODEL

RF Test



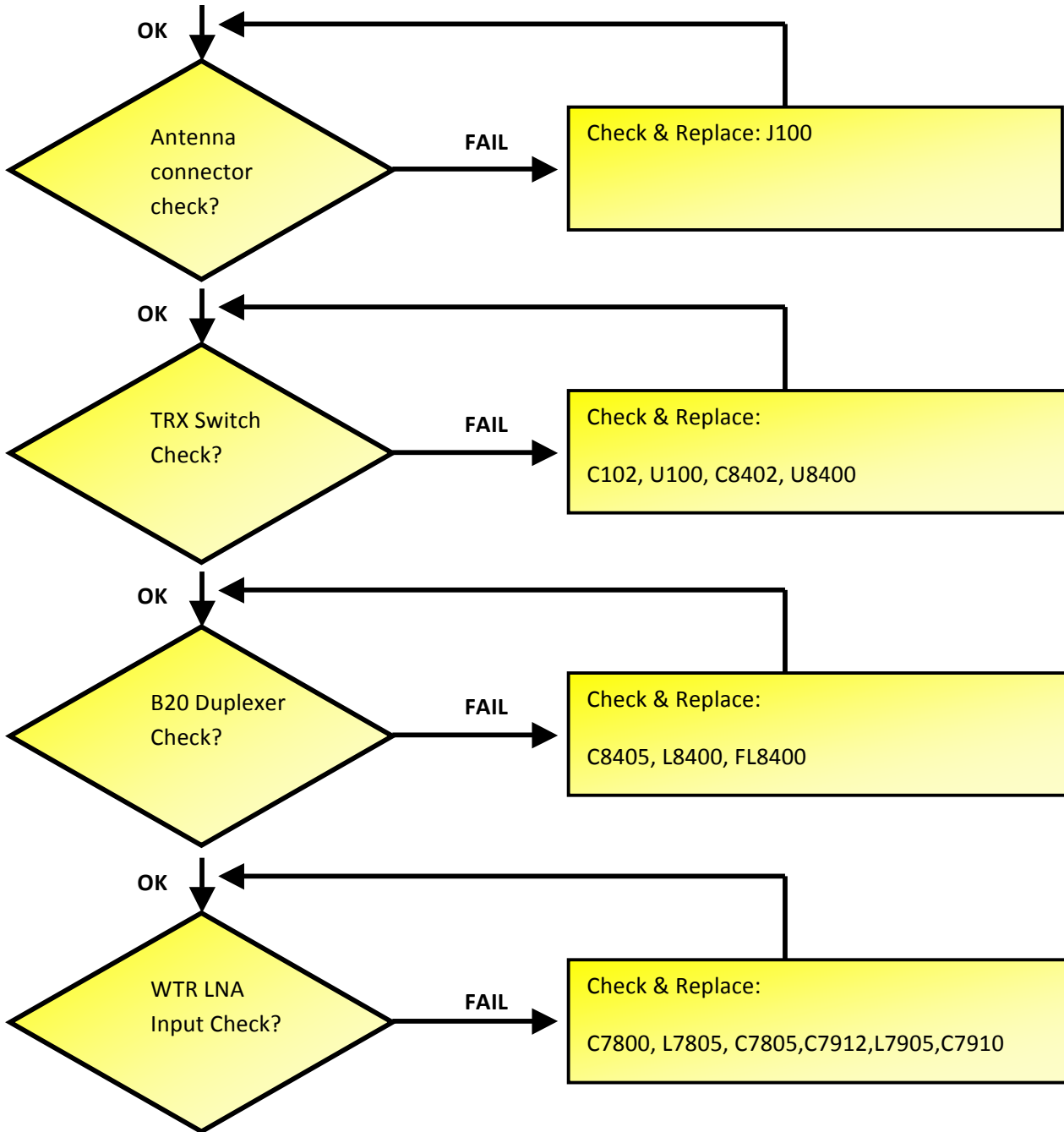
B12 Duplexer FL8310 P/N	91014374001
B13 Duplexer FL8310 P/N	91014377001
B17 Duplexer FL8310 P/N	01017984001



LTE B20 C0 RX

# L3 Moto X RF Troubleshooting Guide

RF Test

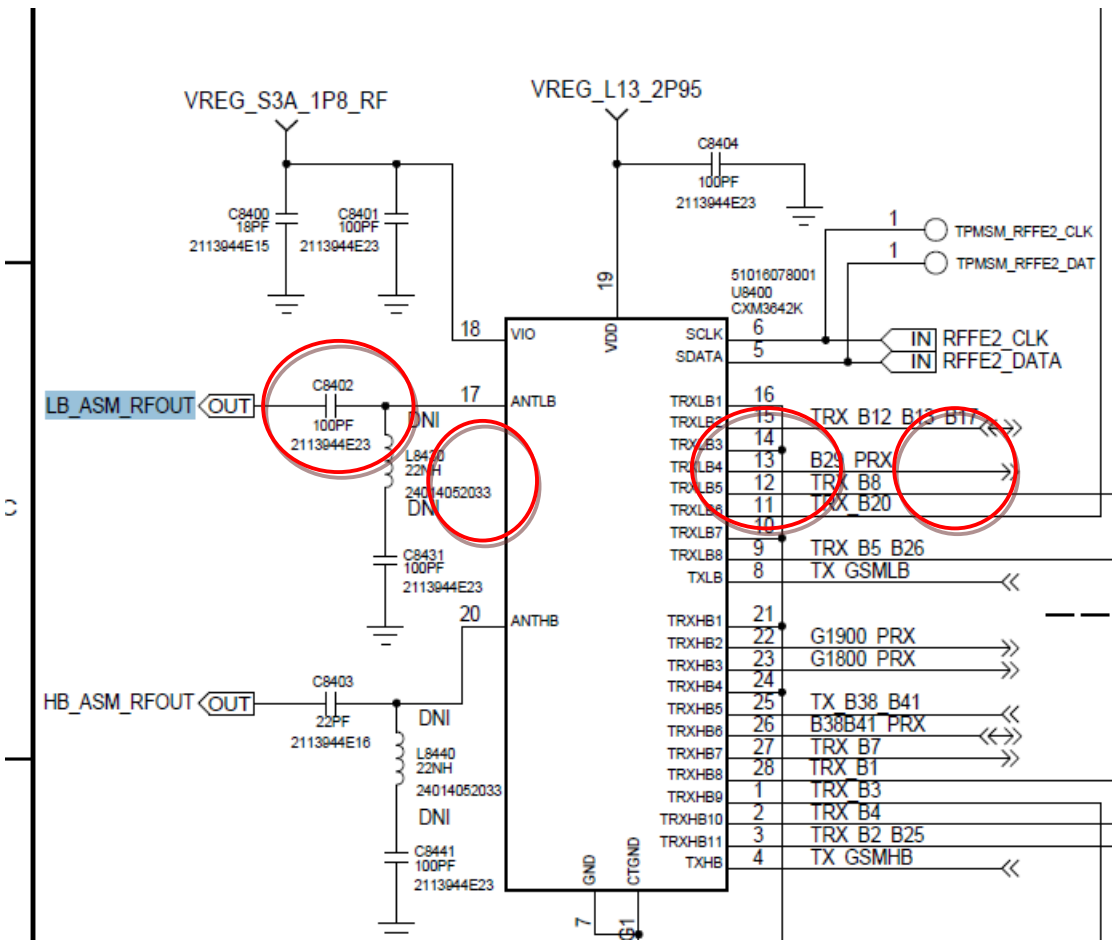
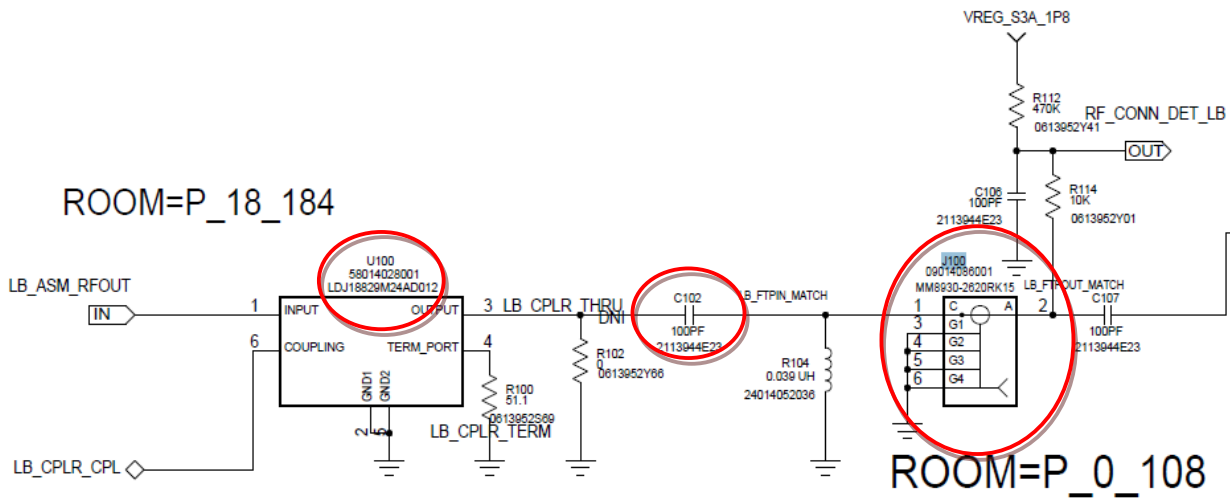


TITLE

L3 Moto X RF Troubleshooting Guide

MODEL

RF Test

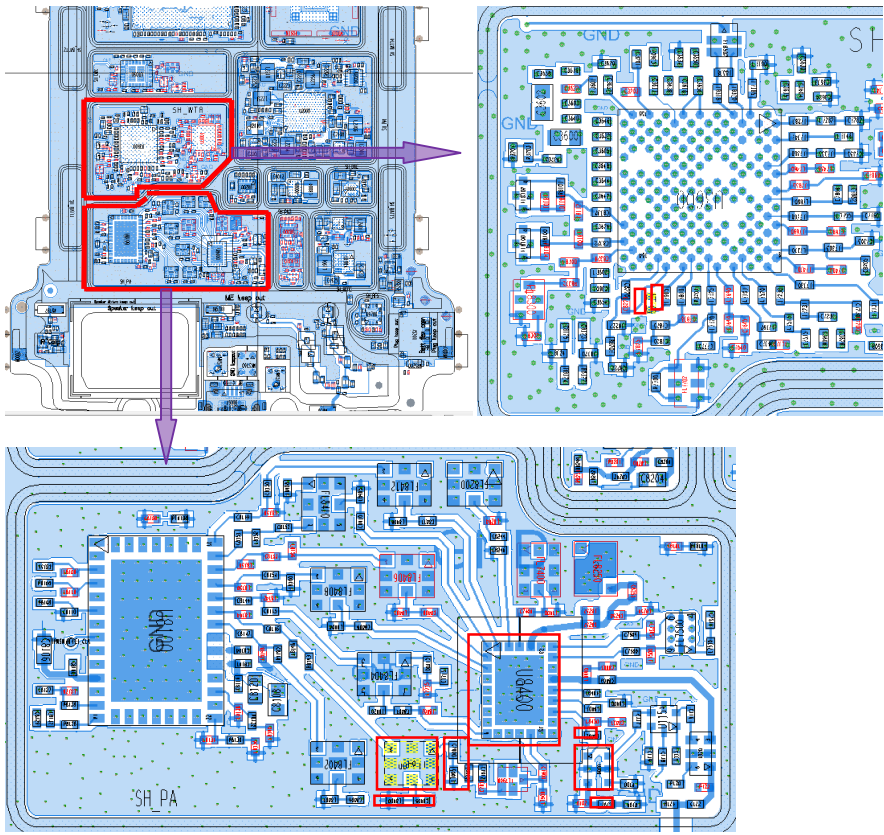
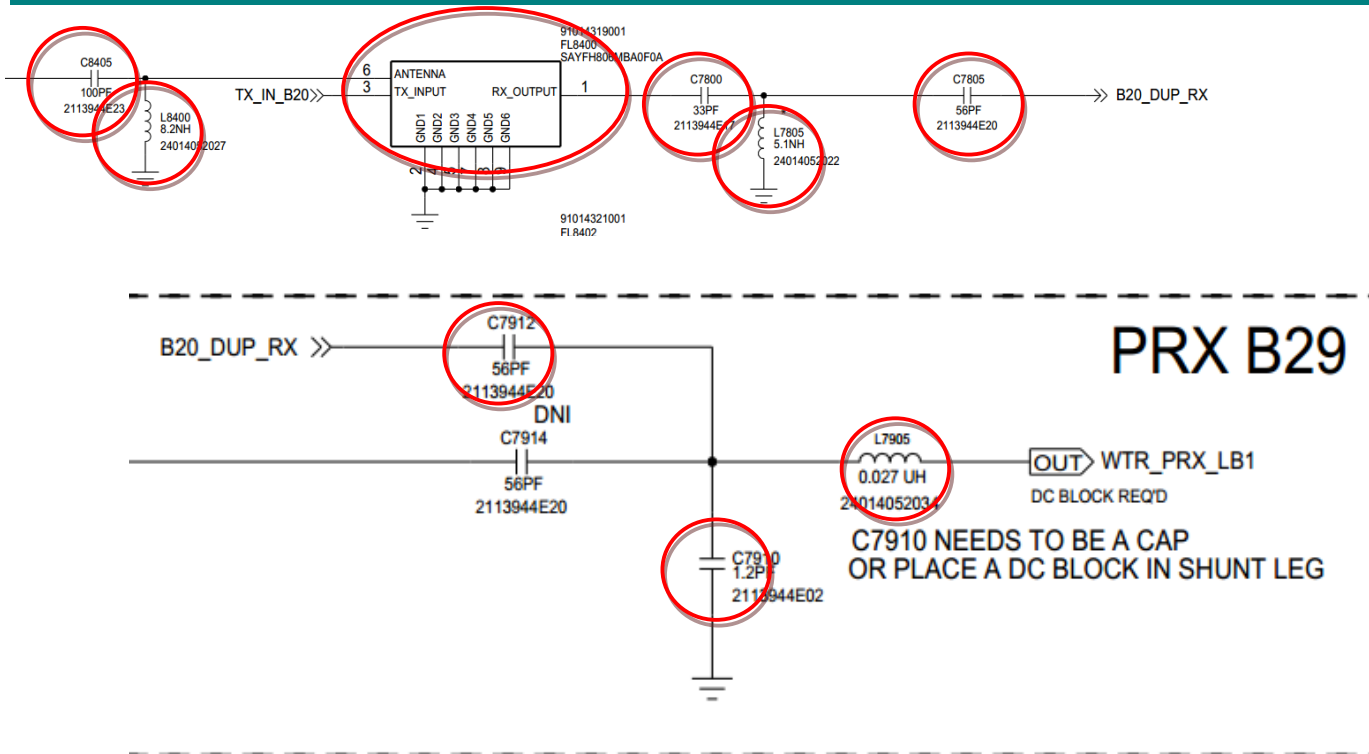


TITLE

# L3 Moto X RF Troubleshooting Guide

MODEL

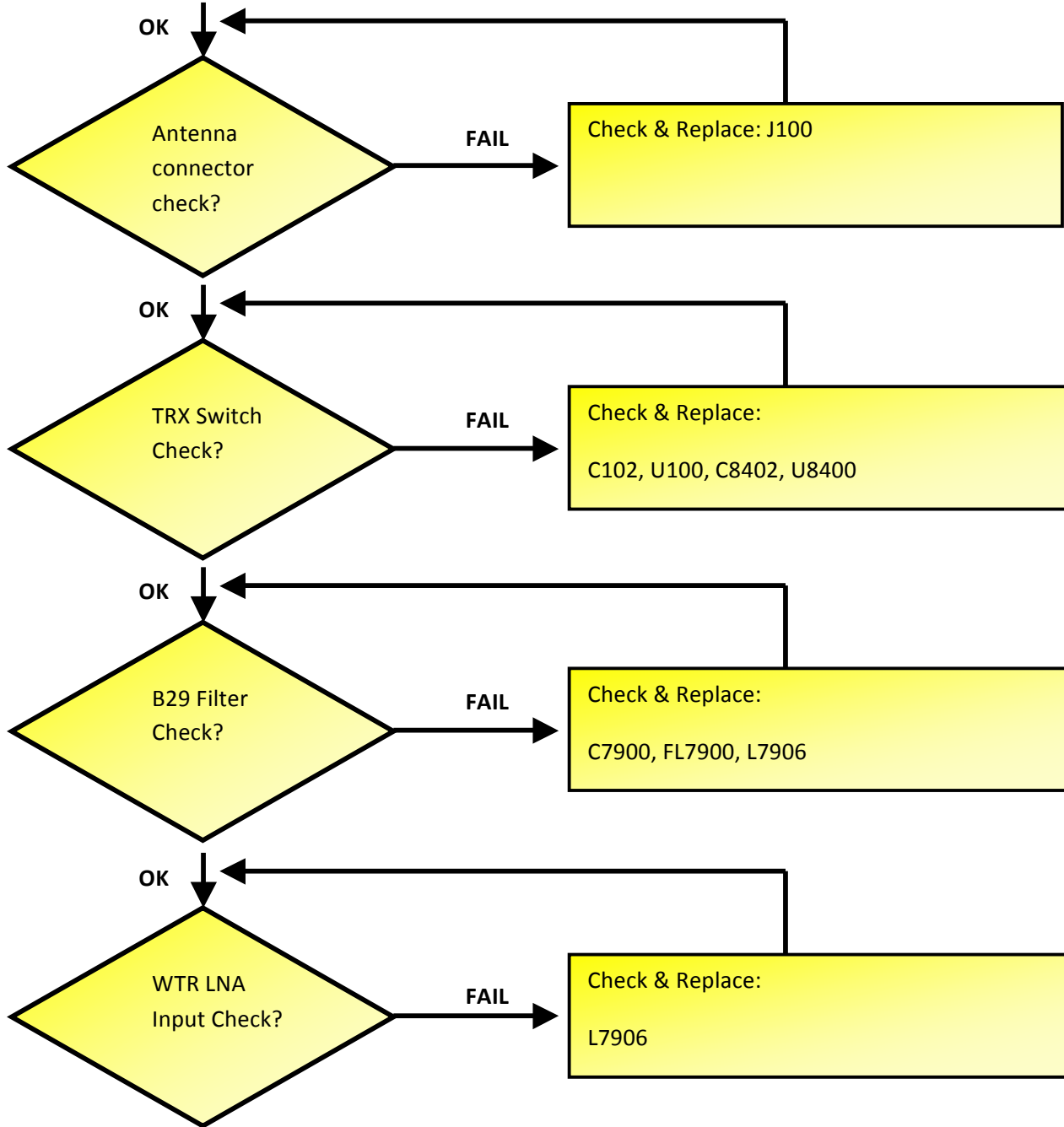
RF Test



LTE B29 **C0** RX\_SPRINT

# L3 Moto X RF Troubleshooting Guide

RF Test

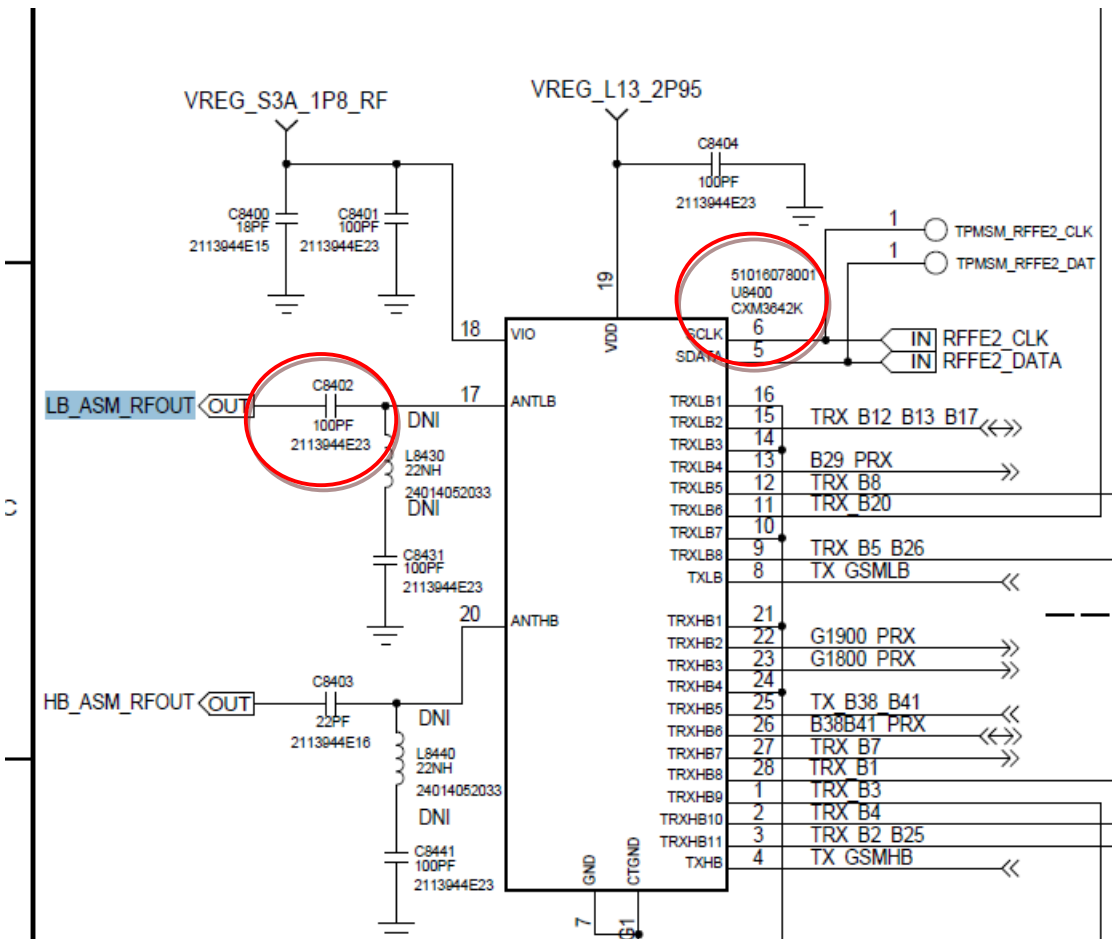
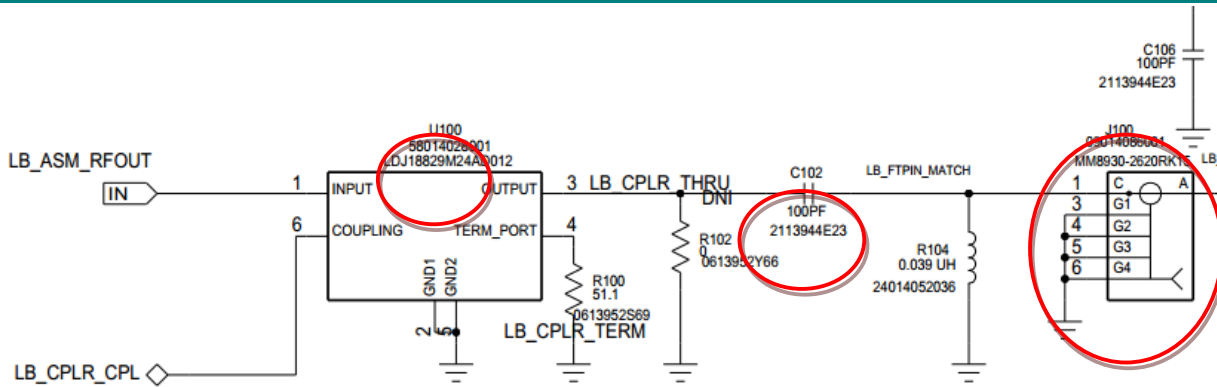


TITLE

# L3 Moto X RF Troubleshooting Guide

MODEL

RF Test



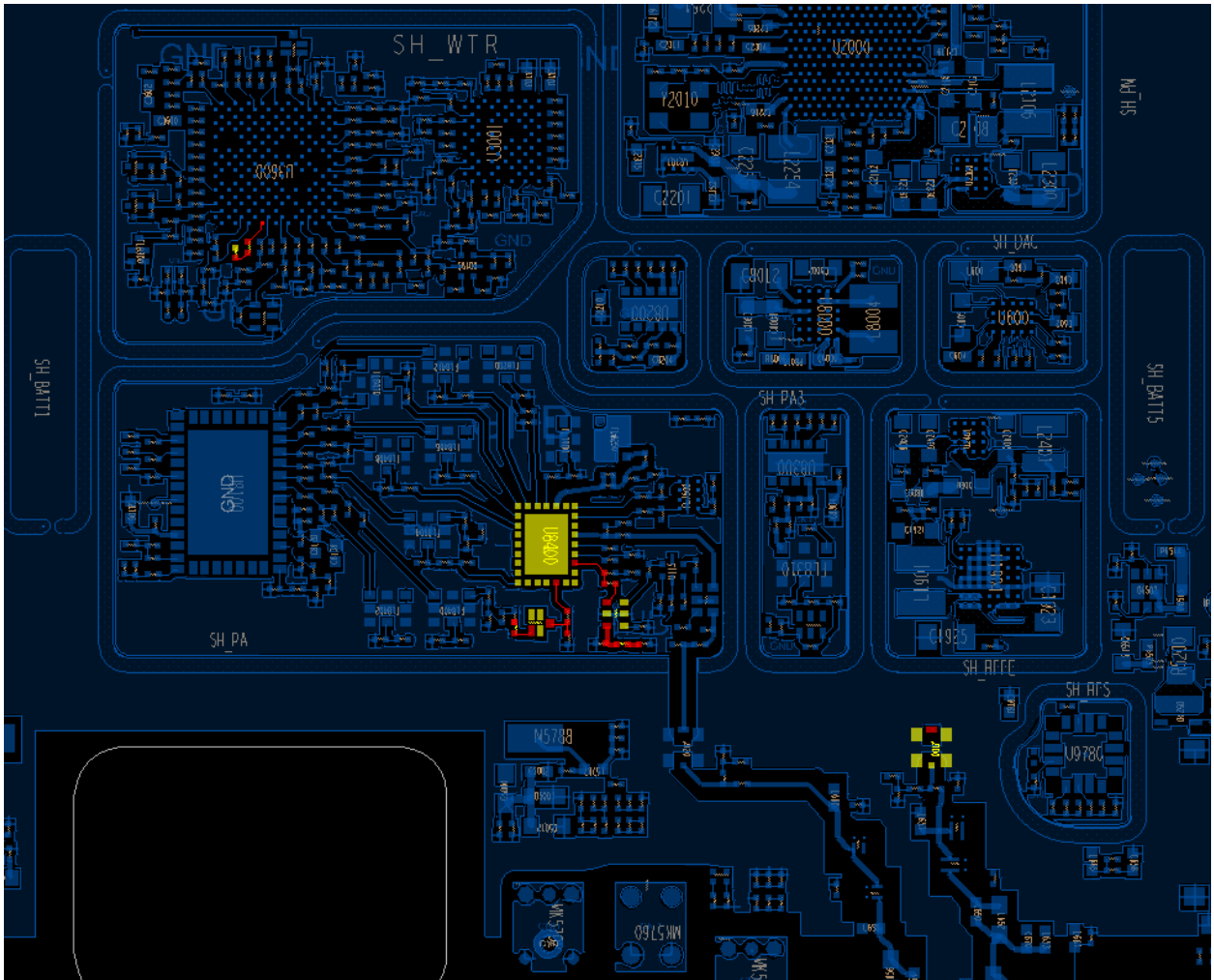
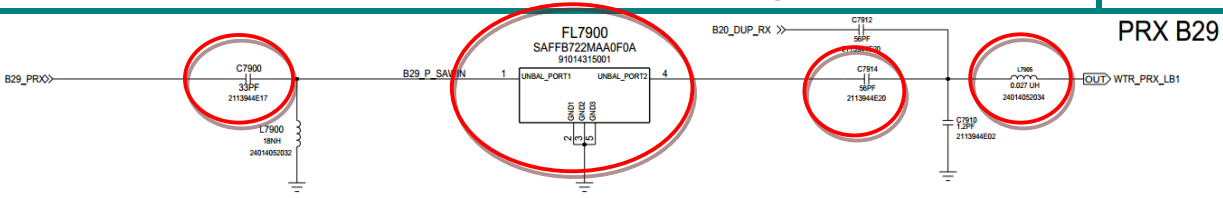


TITLE

# L3 Moto X RF Troubleshooting Guide

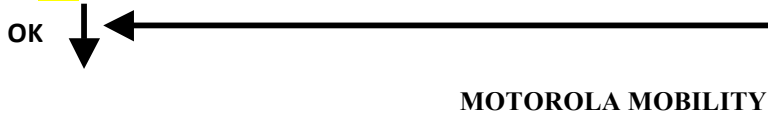
MODEL

RF Test



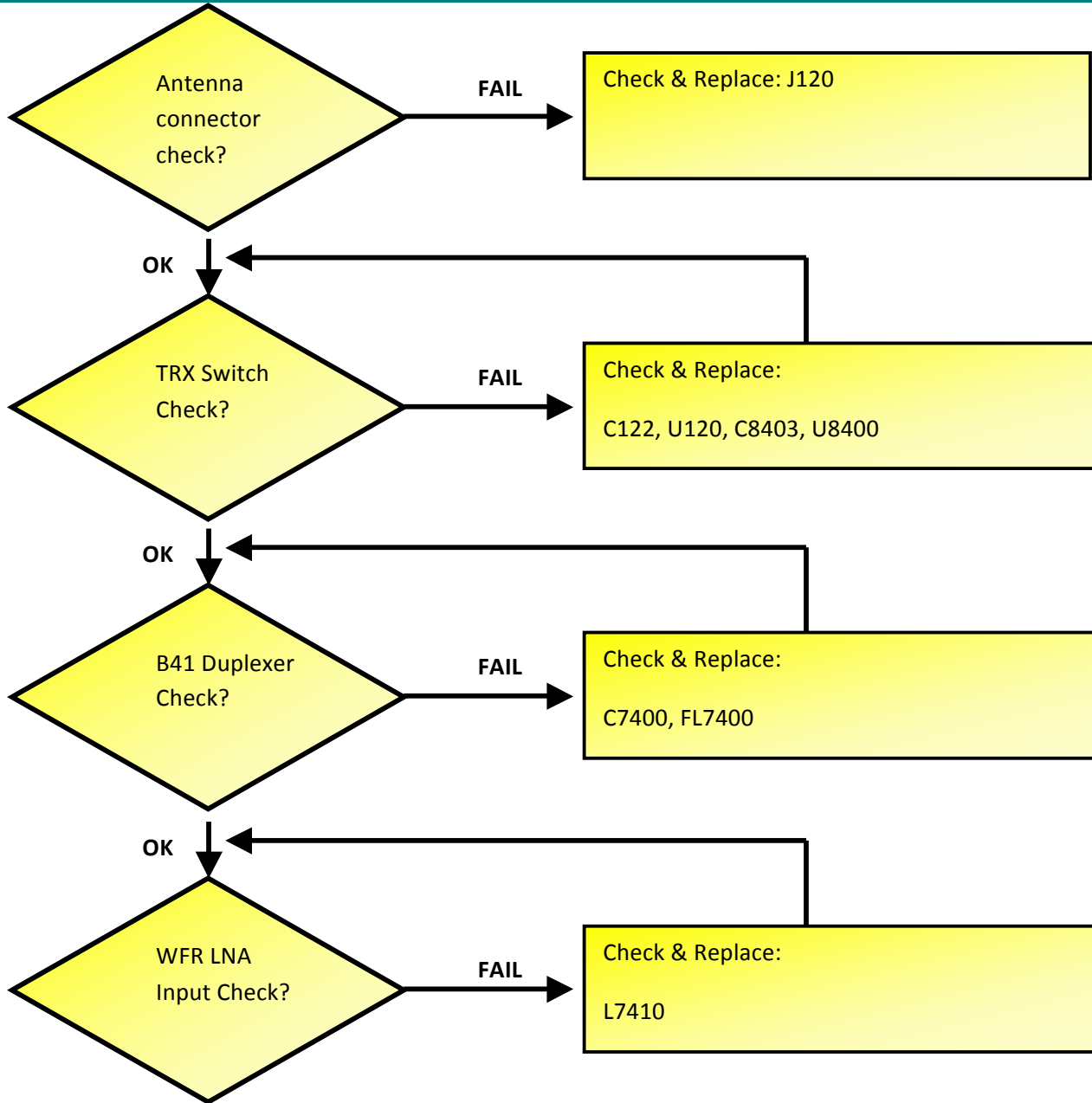
LTE B41 **C0** RX SPRINT

OK



# L3 Moto X RF Troubleshooting Guide

RF Test

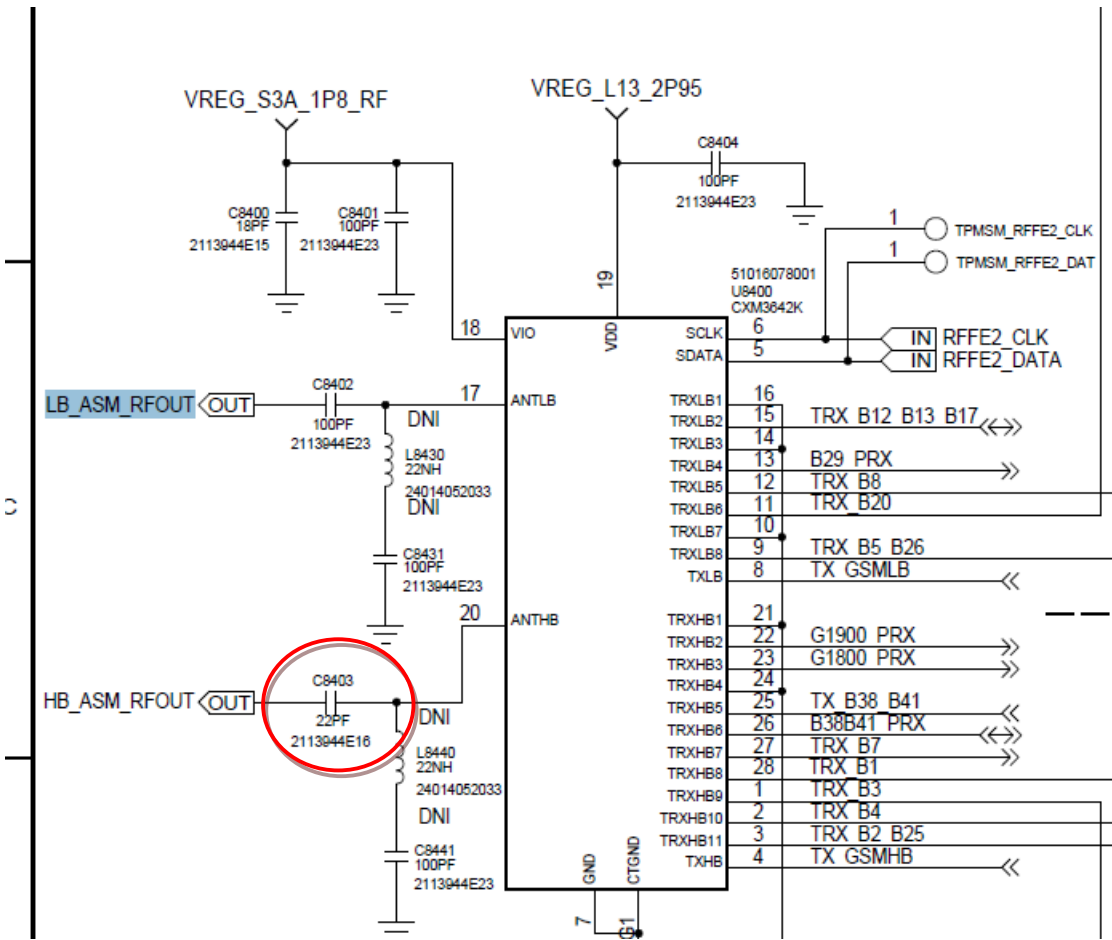
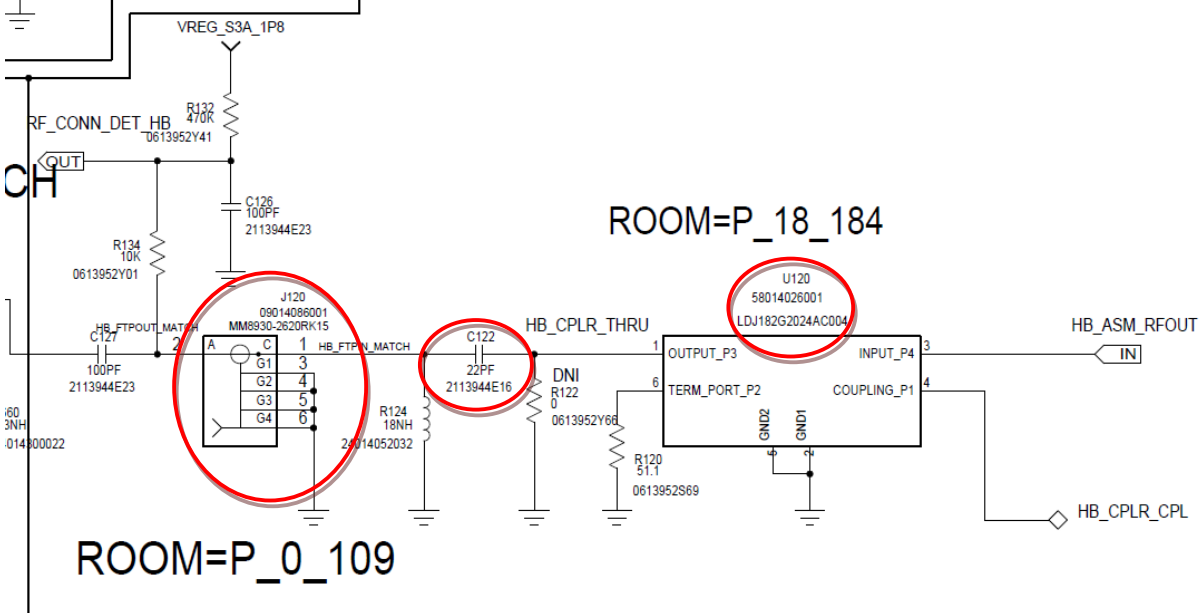


TITLE

L3 Moto X RF Troubleshooting Guide

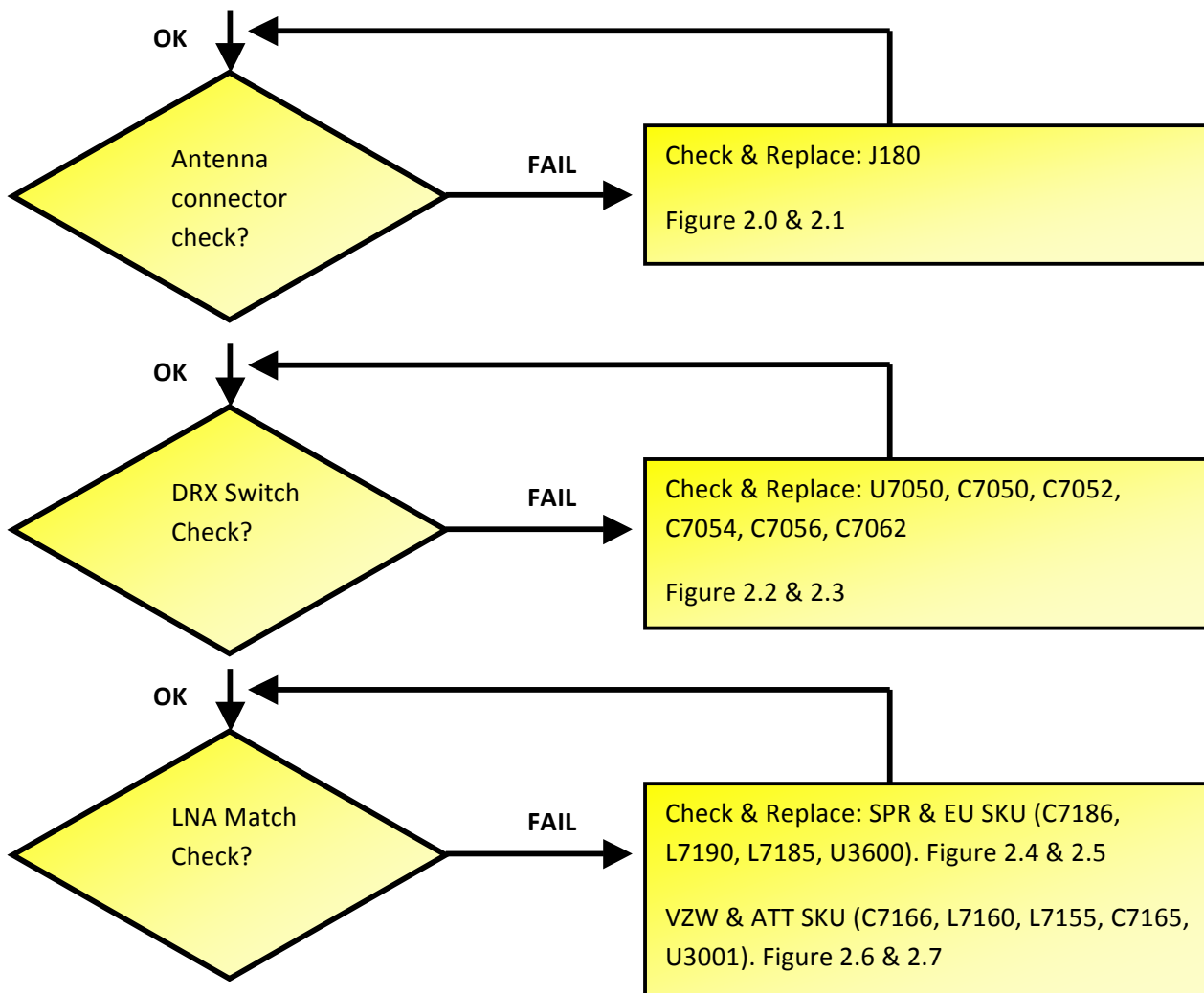
MODEL

RF Test





LTE Bands 2&25, WCDMA Band 2, CDMA BC1 **C1** RX



TITLE

# L3 Moto X RF Troubleshooting Guide

MODEL

RF Test

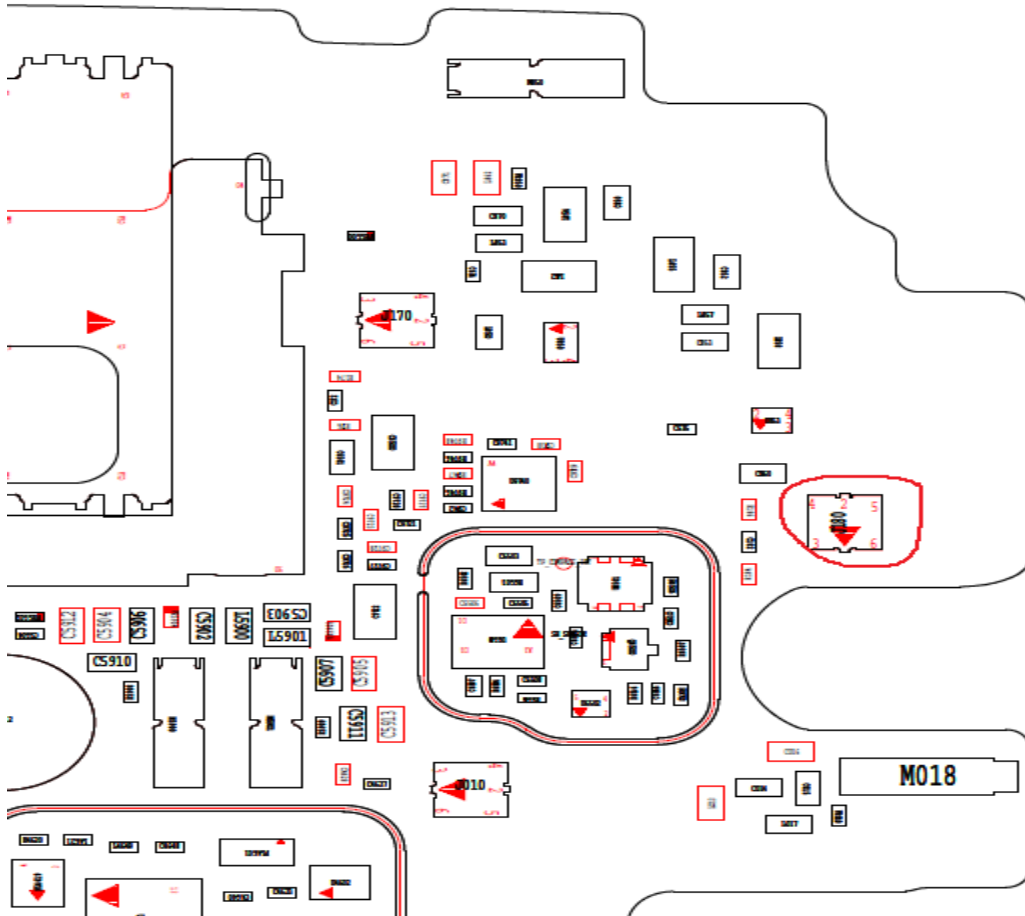


Figure 2.0



TITLE

L3 Moto X RF Troubleshooting Guide

MODEL

RF Test

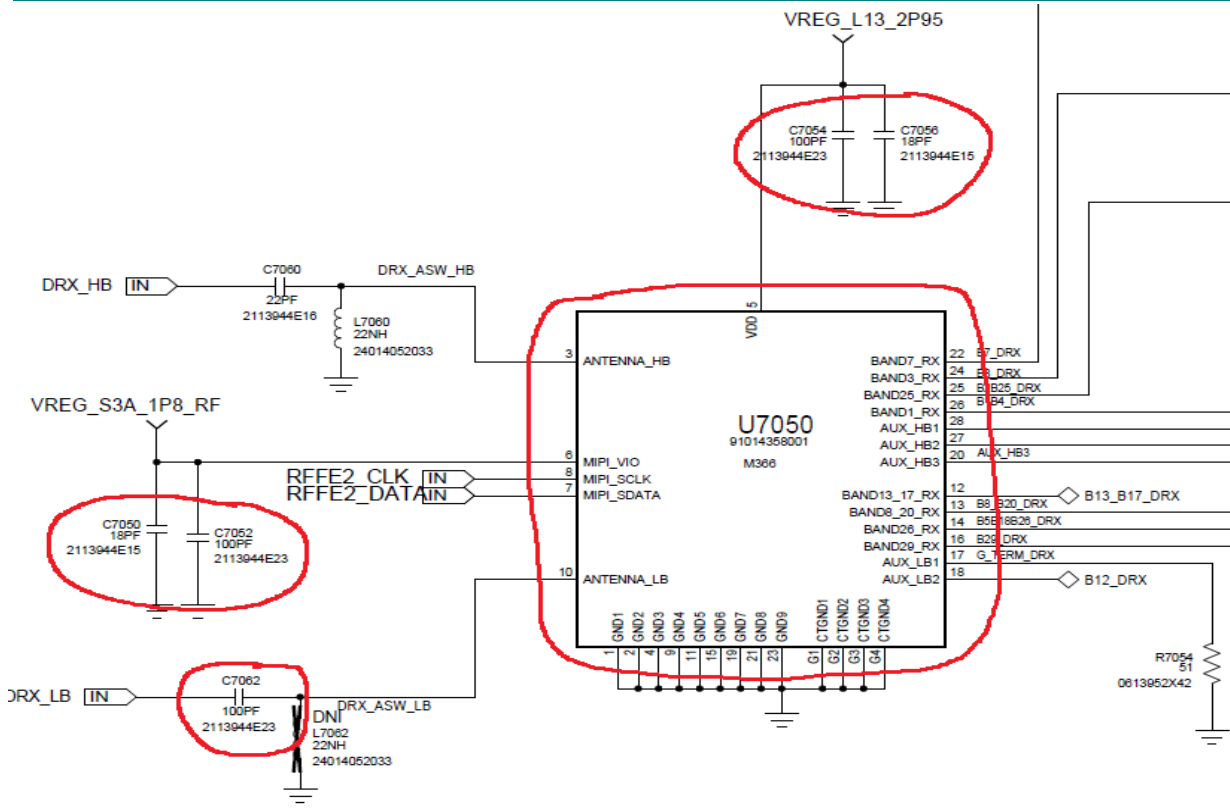


Figure 2.3



TITLE

MODEL

# L3 Moto X RF Troubleshooting Guide

RF Test

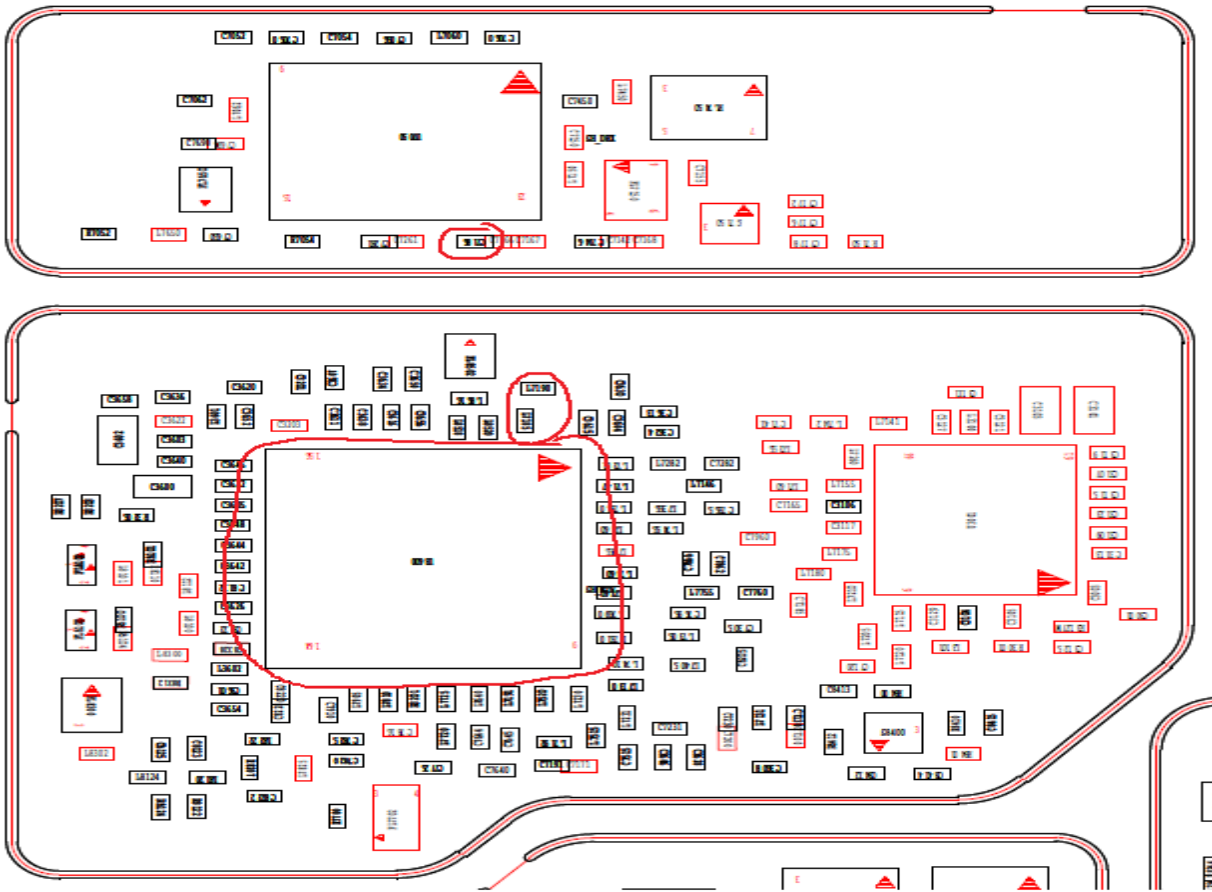


Figure 2.4

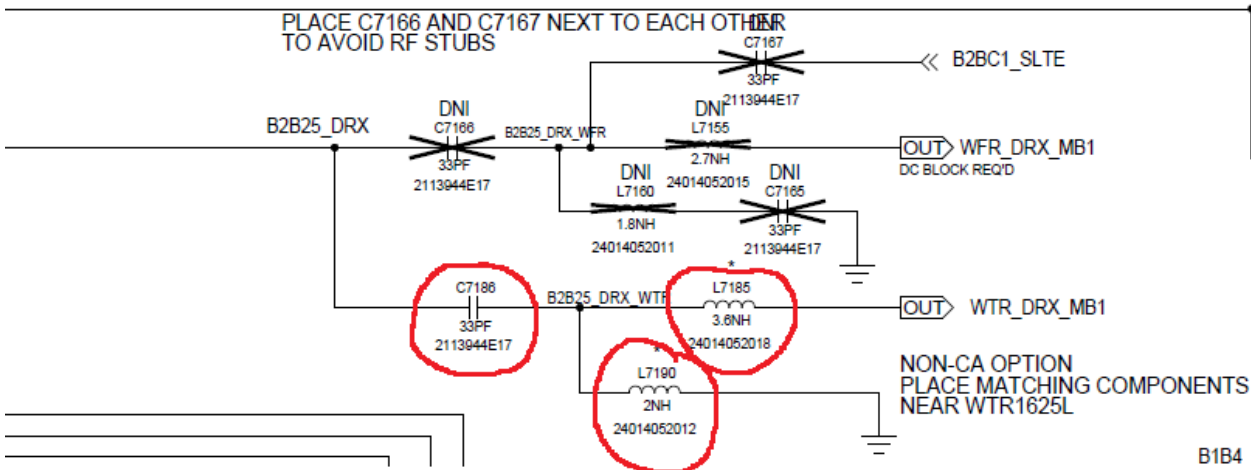


Figure 2.5

TITLE

L3 Moto X RF Troubleshooting Guide

MODEL

RF Test

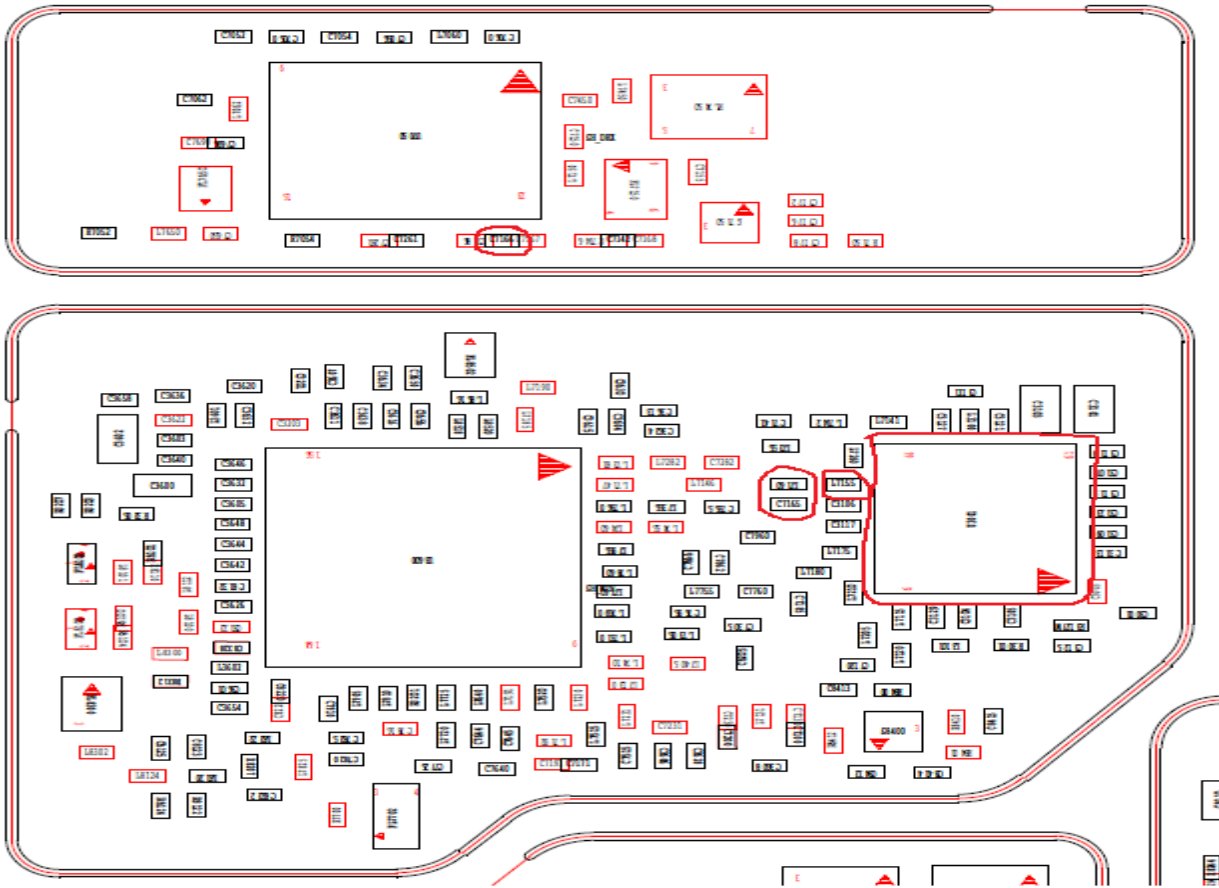


Figure 2.6

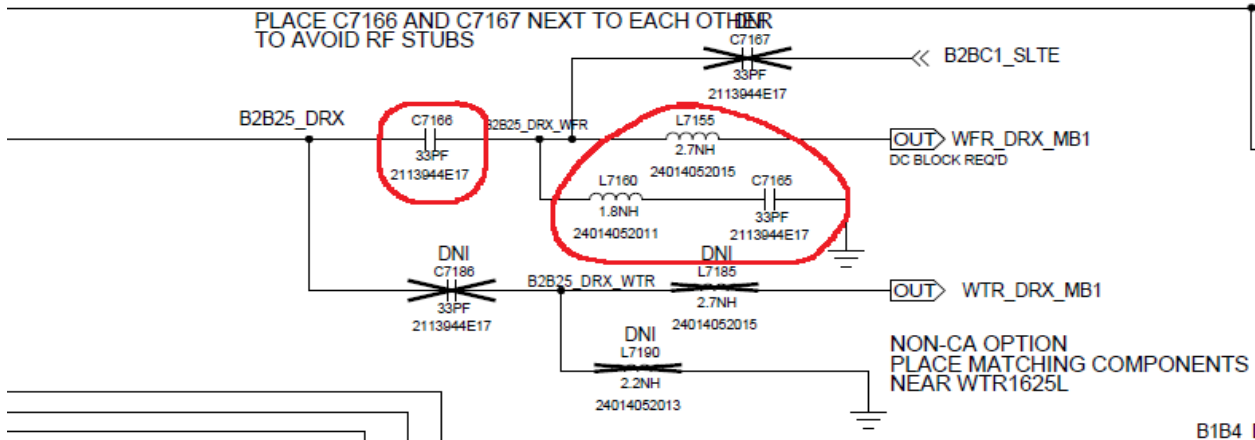


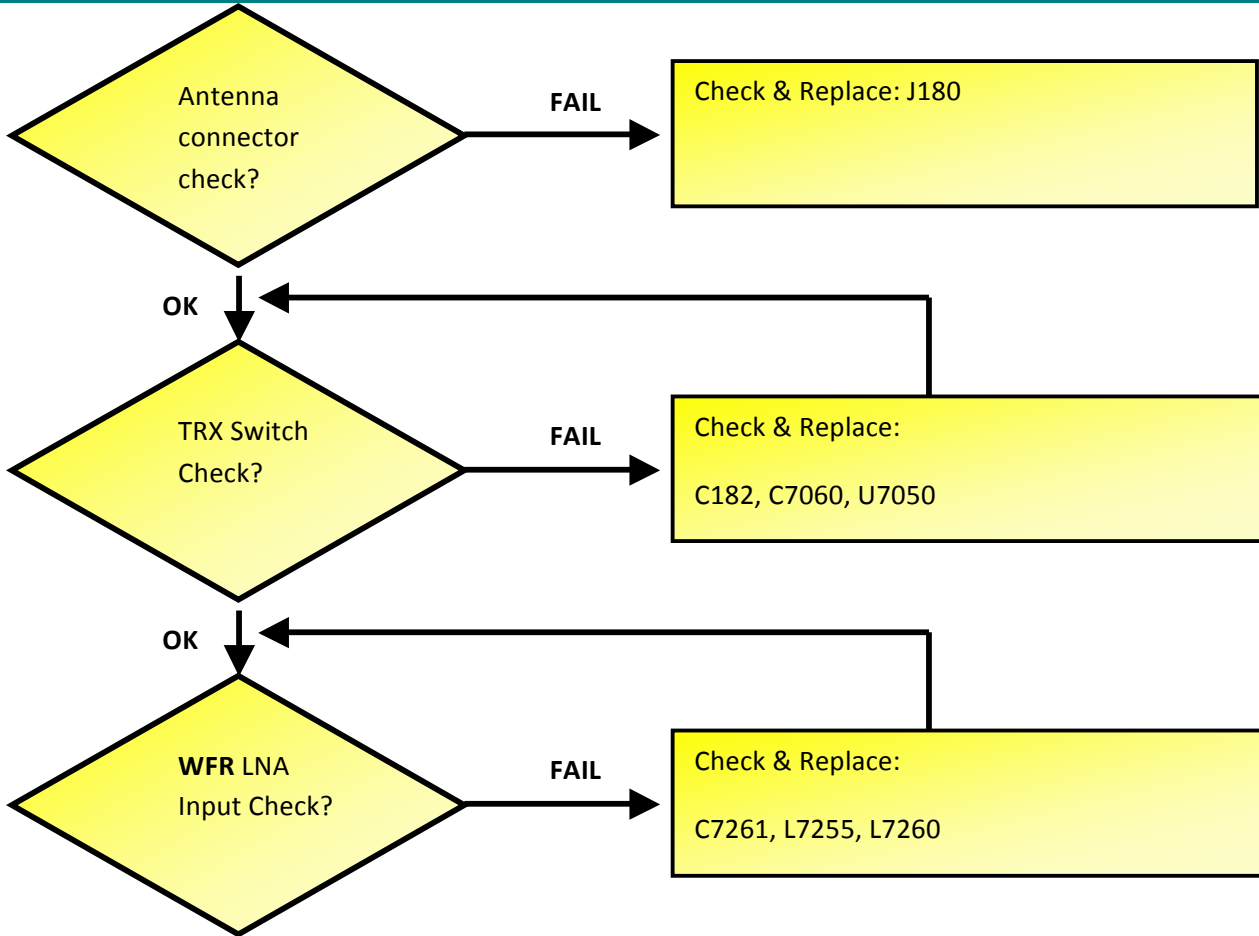
Figure 2.7

LTE B3 C1 RX ATT & VZW SKUs

OK

# L3 Moto X RF Troubleshooting Guide

RF Test



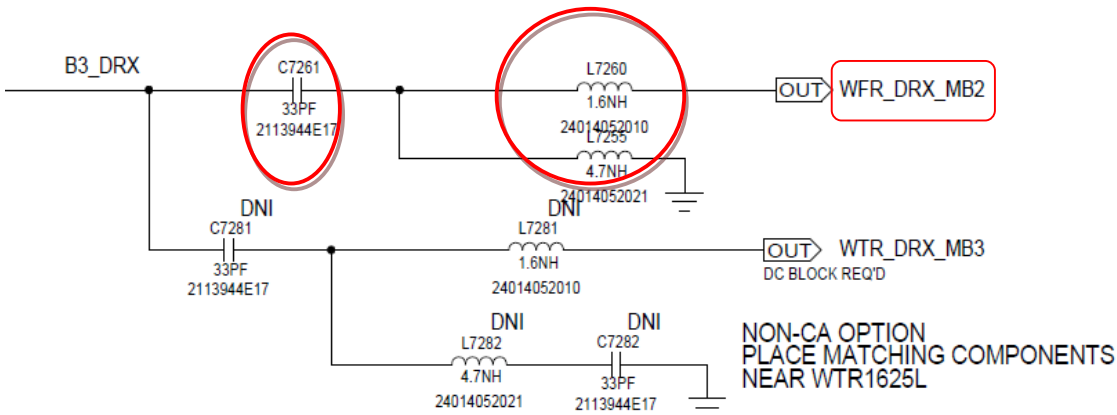
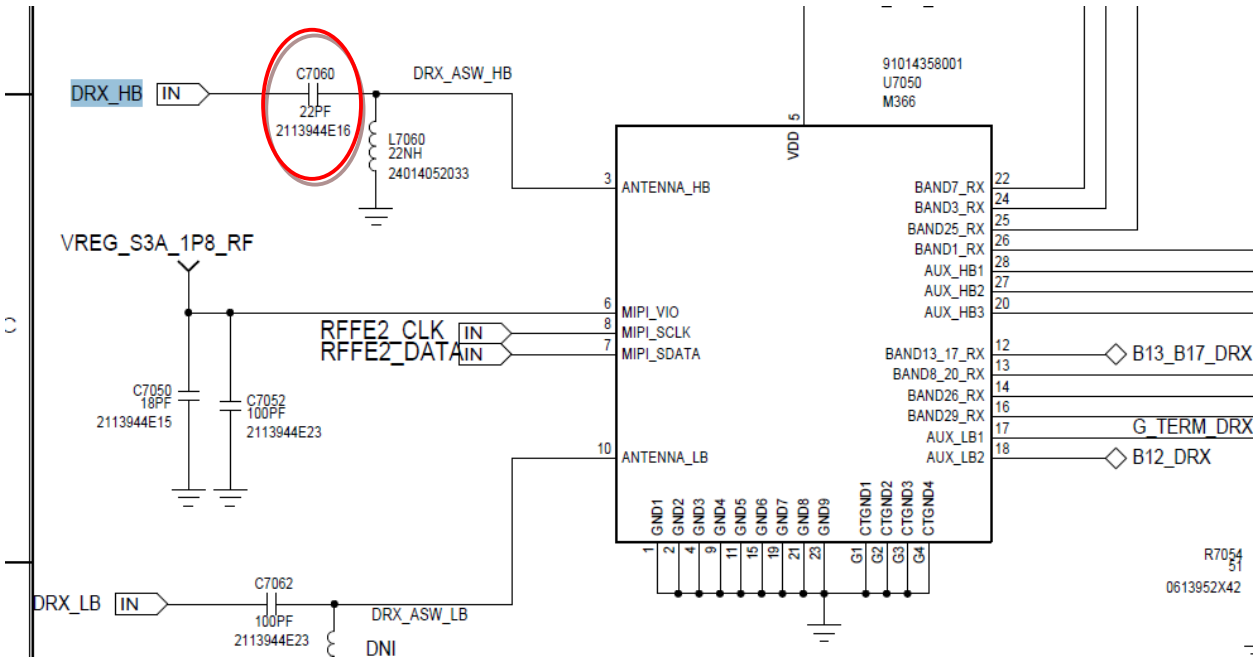
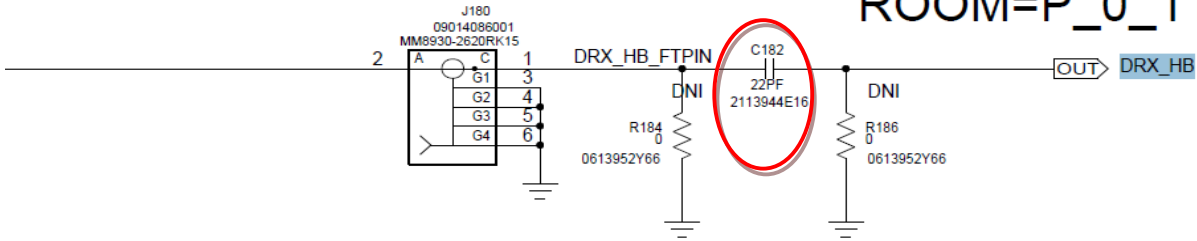
TITLE

MODEL

# L3 Moto X RF Troubleshooting Guide

RF Test

ROOM=P\_0\_113

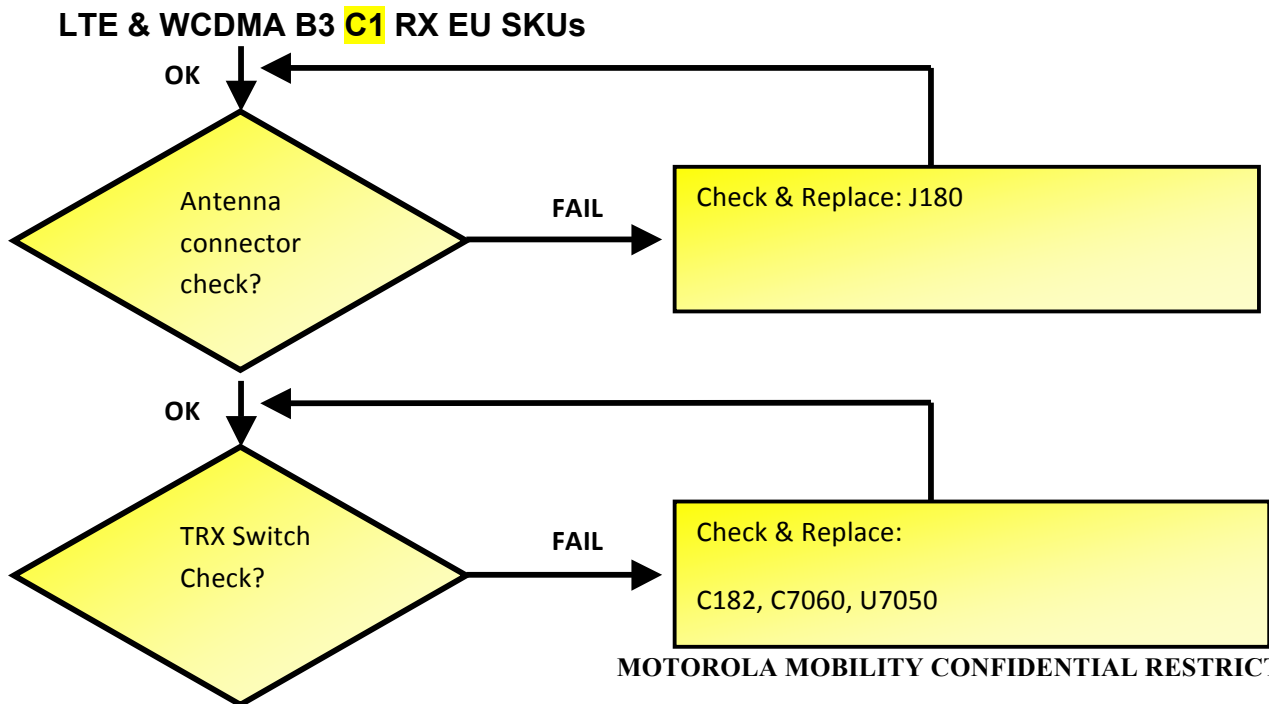
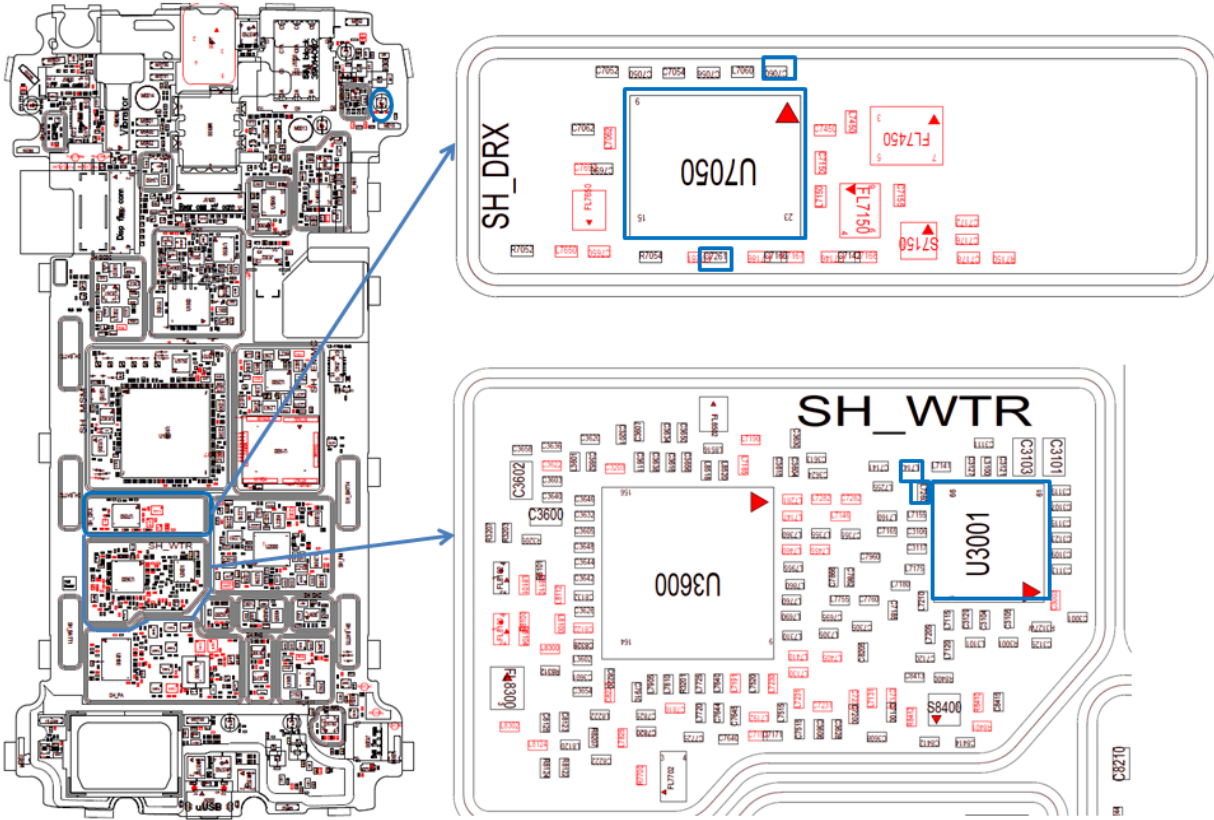


TITLE

# L3 Moto X RF Troubleshooting Guide

MODEL

RF Test

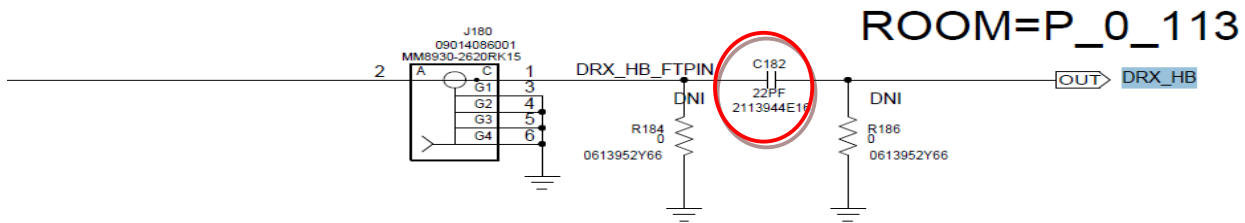
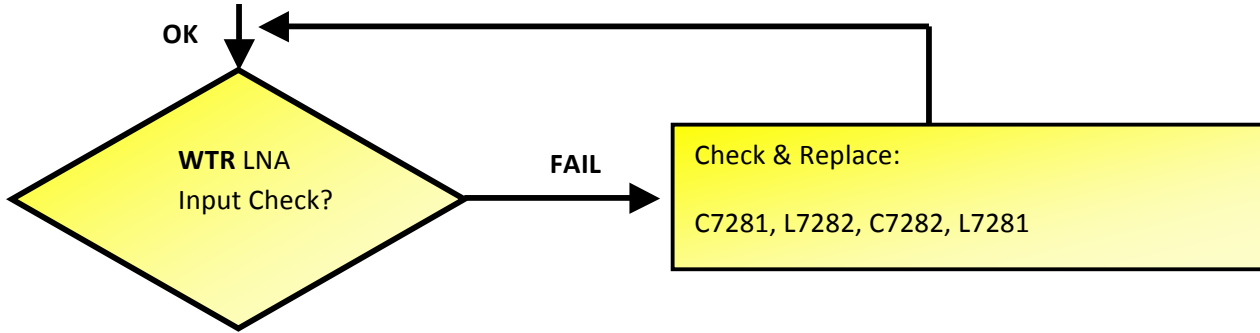


TITLE

# L3 Moto X RF Troubleshooting Guide

MODEL

RF Test

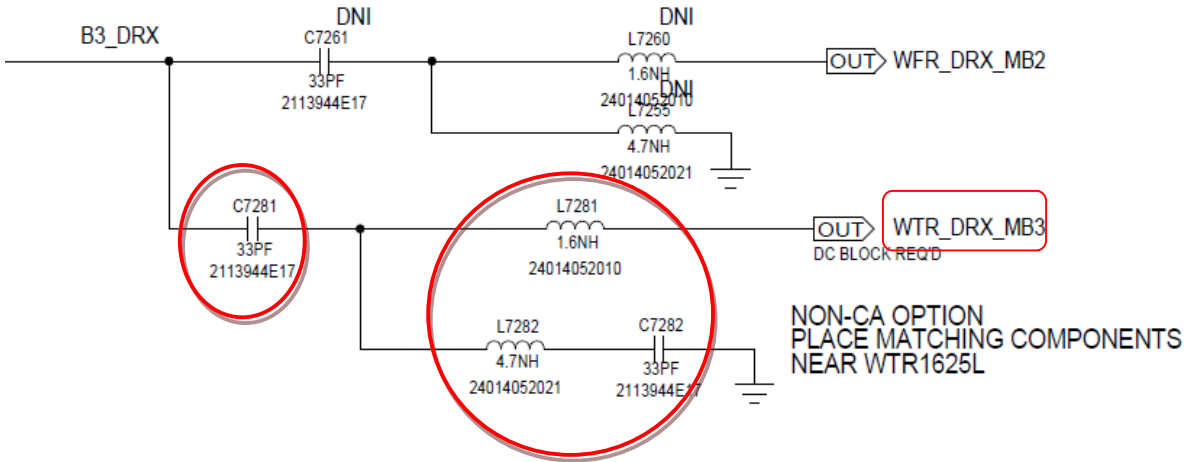
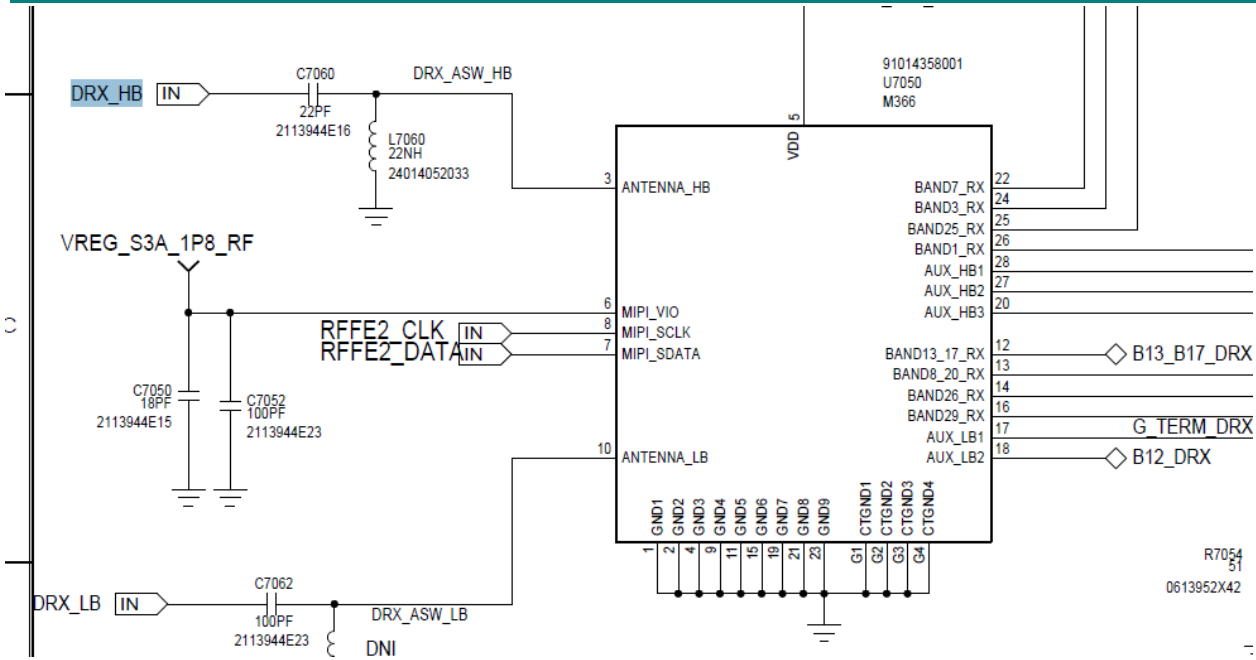


TITLE

L3 Moto X RF Troubleshooting Guide

MODEL

RF Test

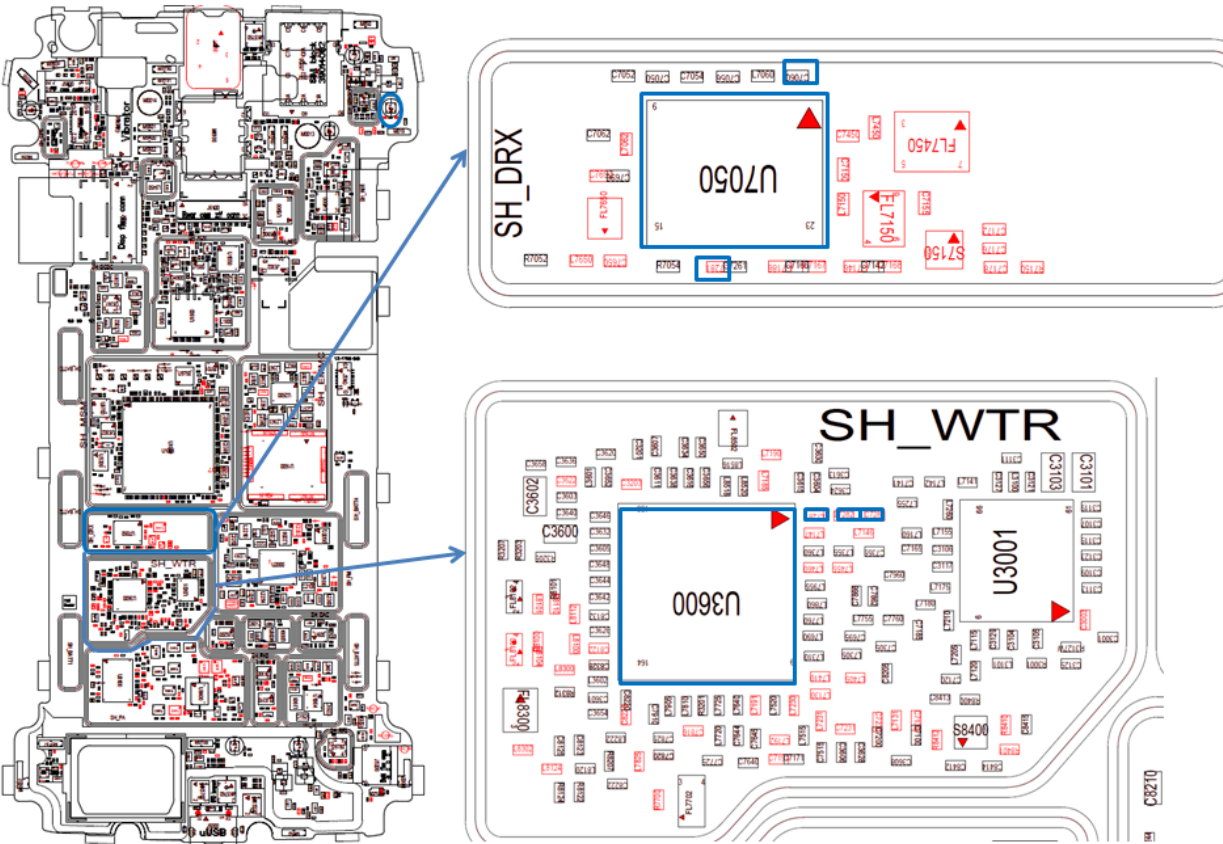


TITLE

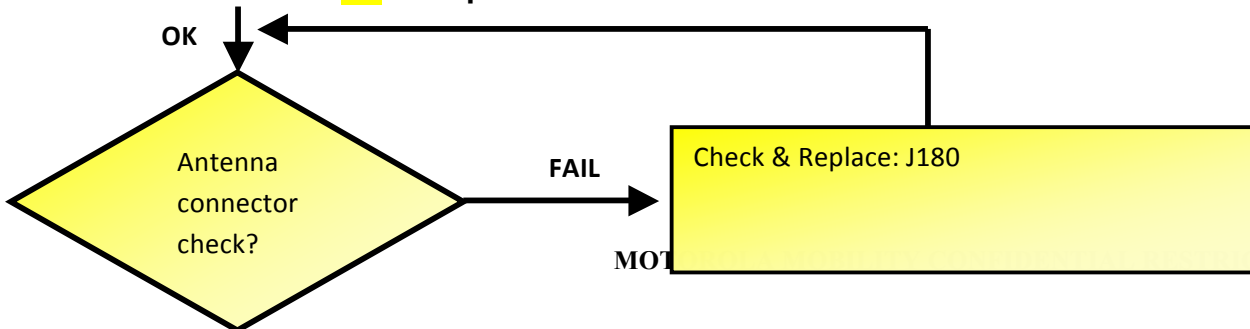
# L3 Moto X RF Troubleshooting Guide

MODEL

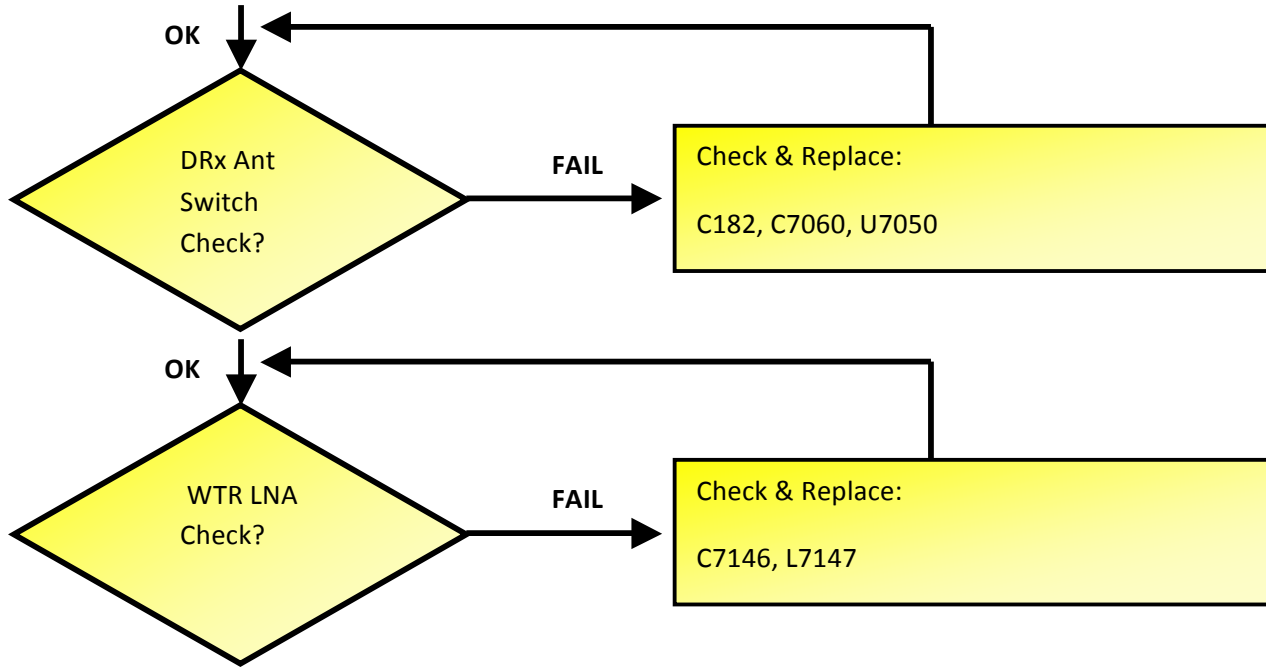
RF Test



LTE & WCDMA B4 **C1** RX Sprint







TITLE

MODEL

# L3 Moto X RF Troubleshooting Guide

RF Test

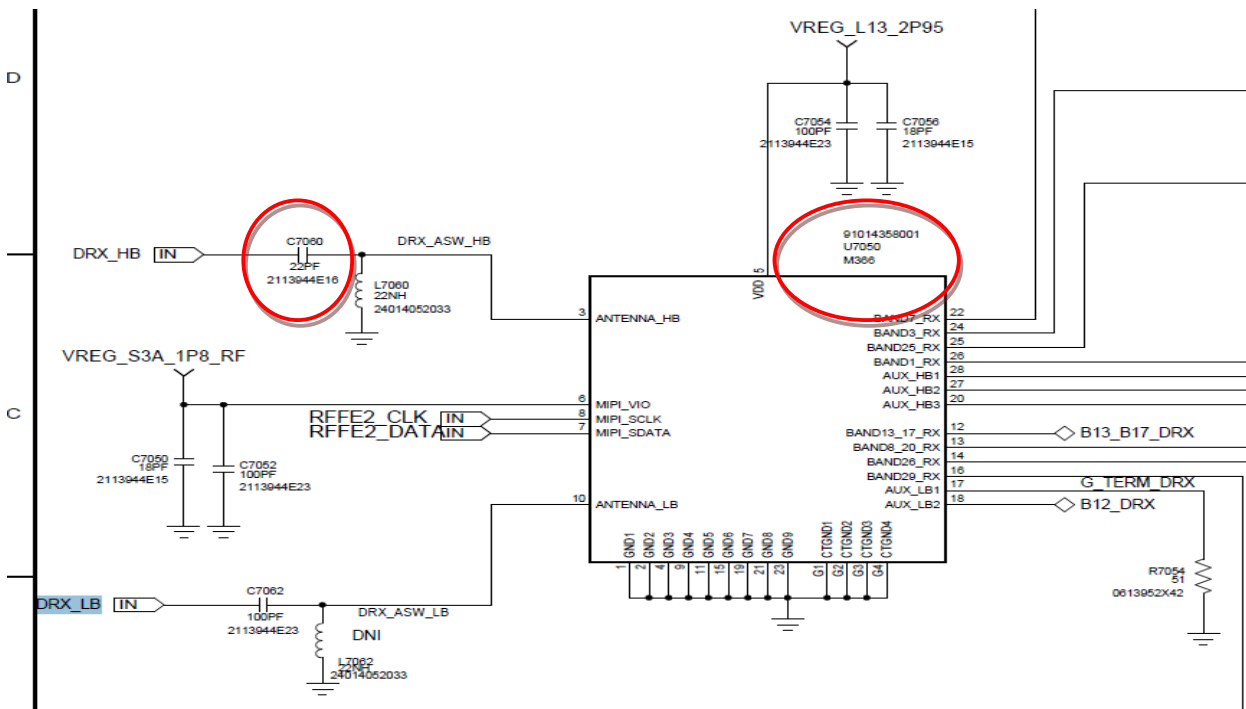
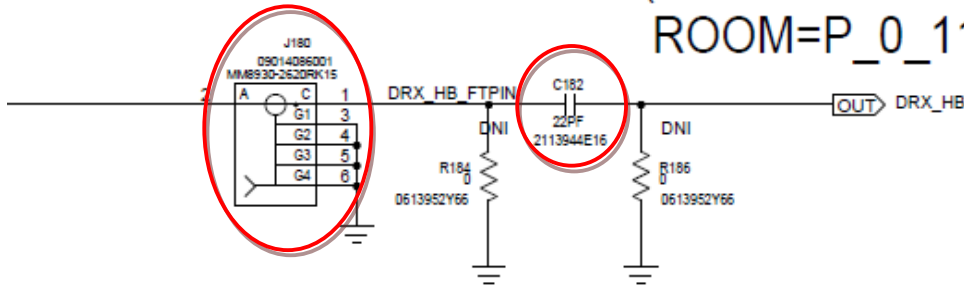
## DRX HIGH BAND ANTENNA

REF:180-189

DEVICE LOCATION - TOP LEFT

(GSM/UTMS/LTE)

ROOM=P\_0\_113



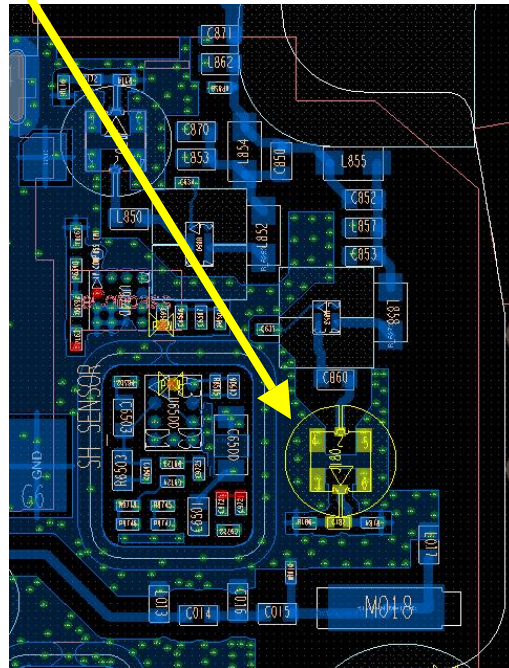
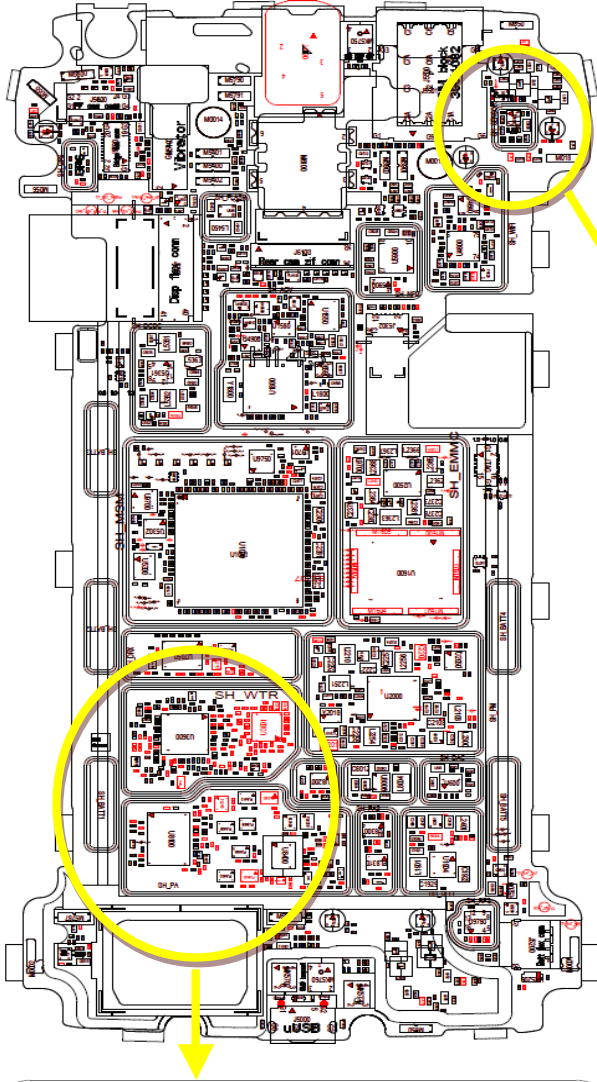


TITLE

# L3 Moto X RF Troubleshooting Guide

MODEL

RF Test

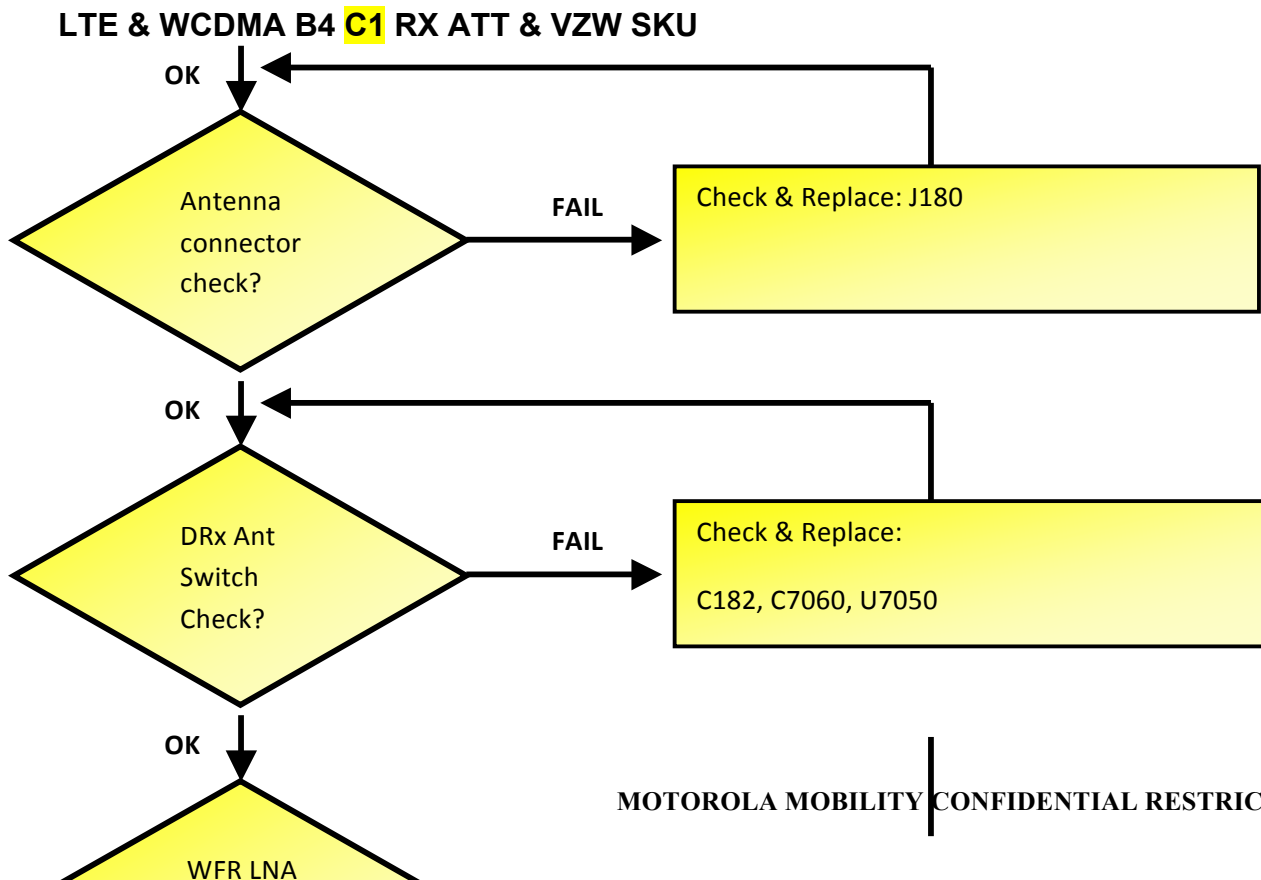


TITLE

# L3 Moto X RF Troubleshooting Guide

MODEL

RF Test



TITLE

# L3 Moto X RF Troubleshooting Guide

MODEL

RF Test



FAIL

Check & Replace:

C7142, L7141

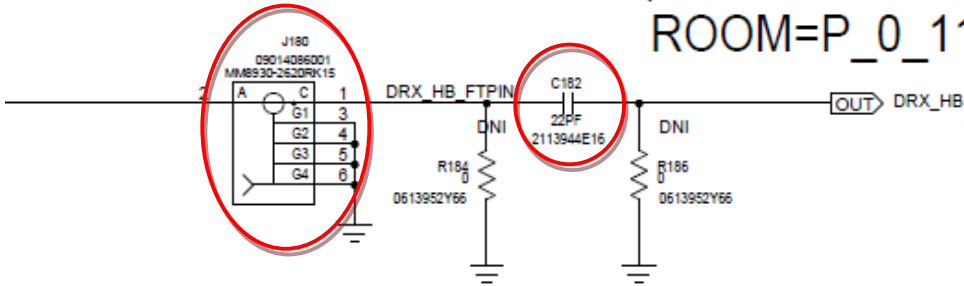
## DRX HIGH BAND ANTENNA

REF:180-189

DEVICE LOCATION - TOP LEFT

(GSM/UTMS/LTE)

ROOM=P\_0\_113

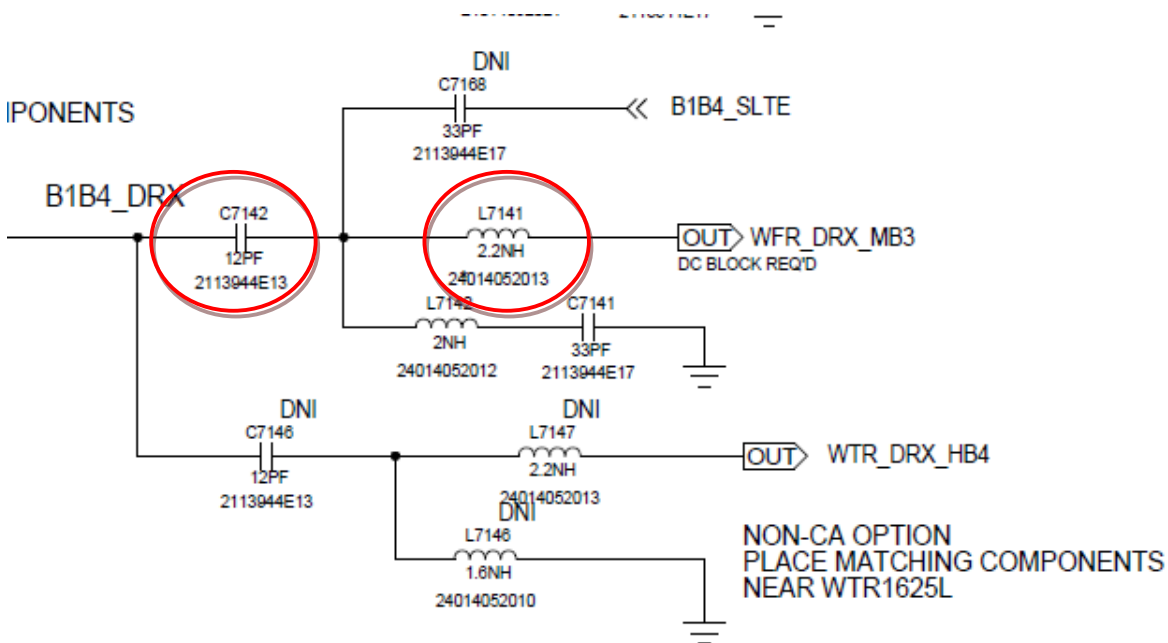
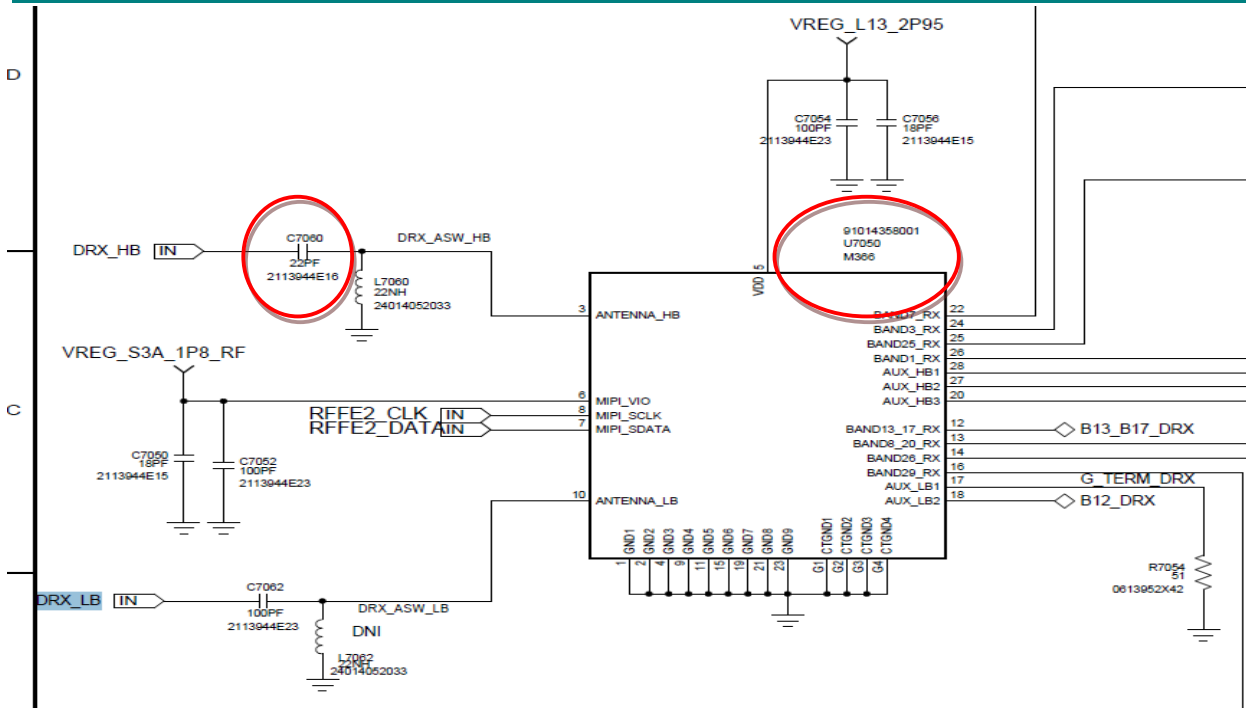


TITLE

L3 Moto X RF Troubleshooting Guide

MODEL

RF Test

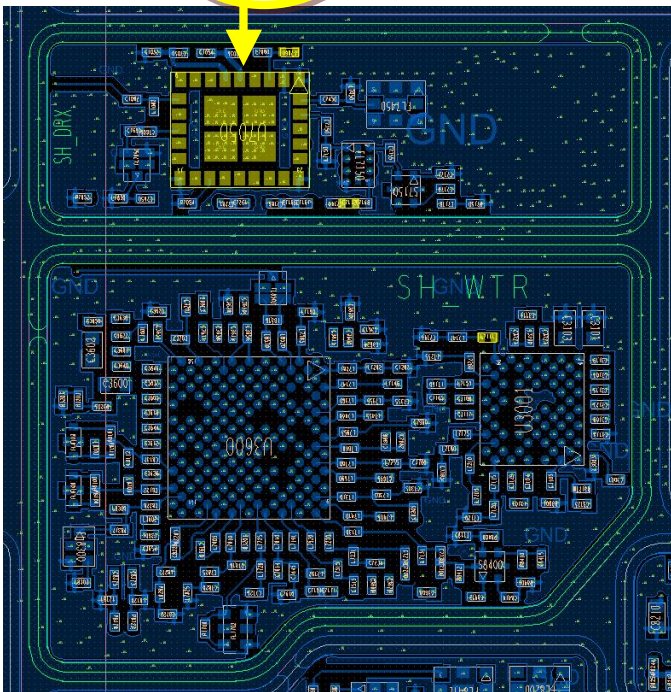
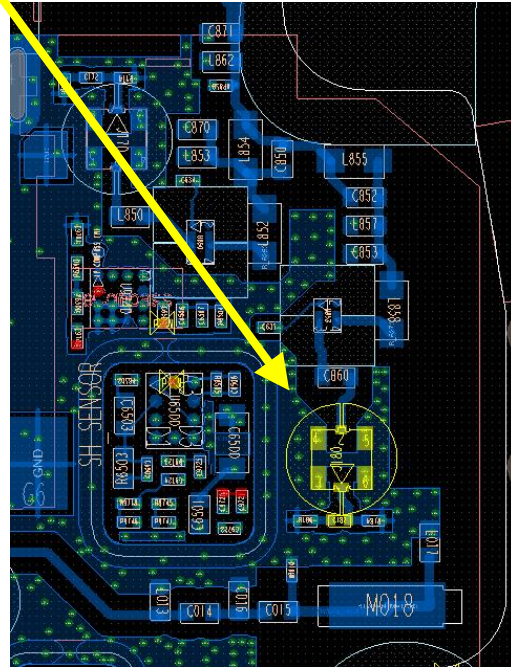
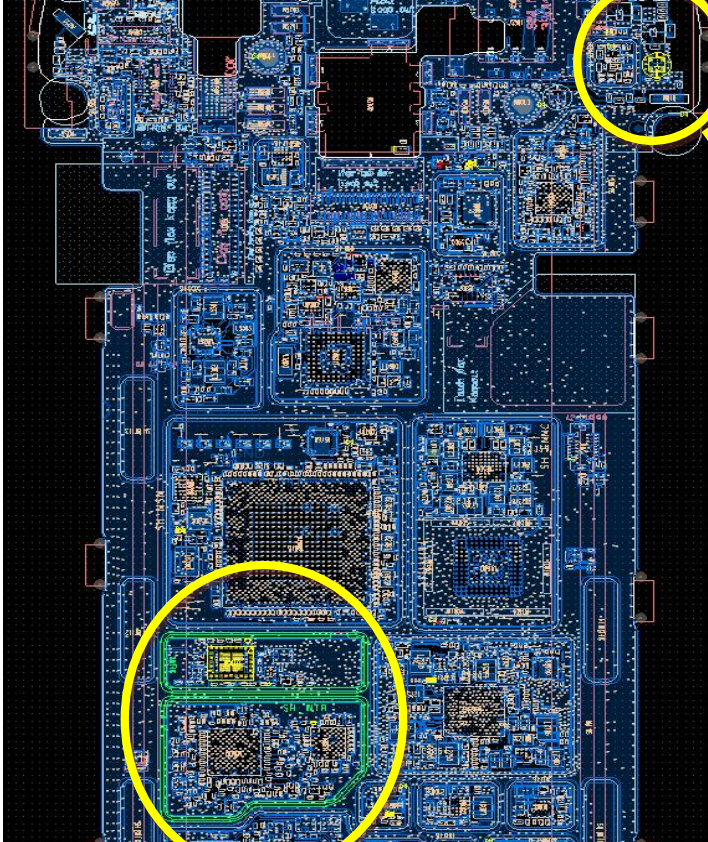


TITLE

# L3 Moto X RF Troubleshooting Guide

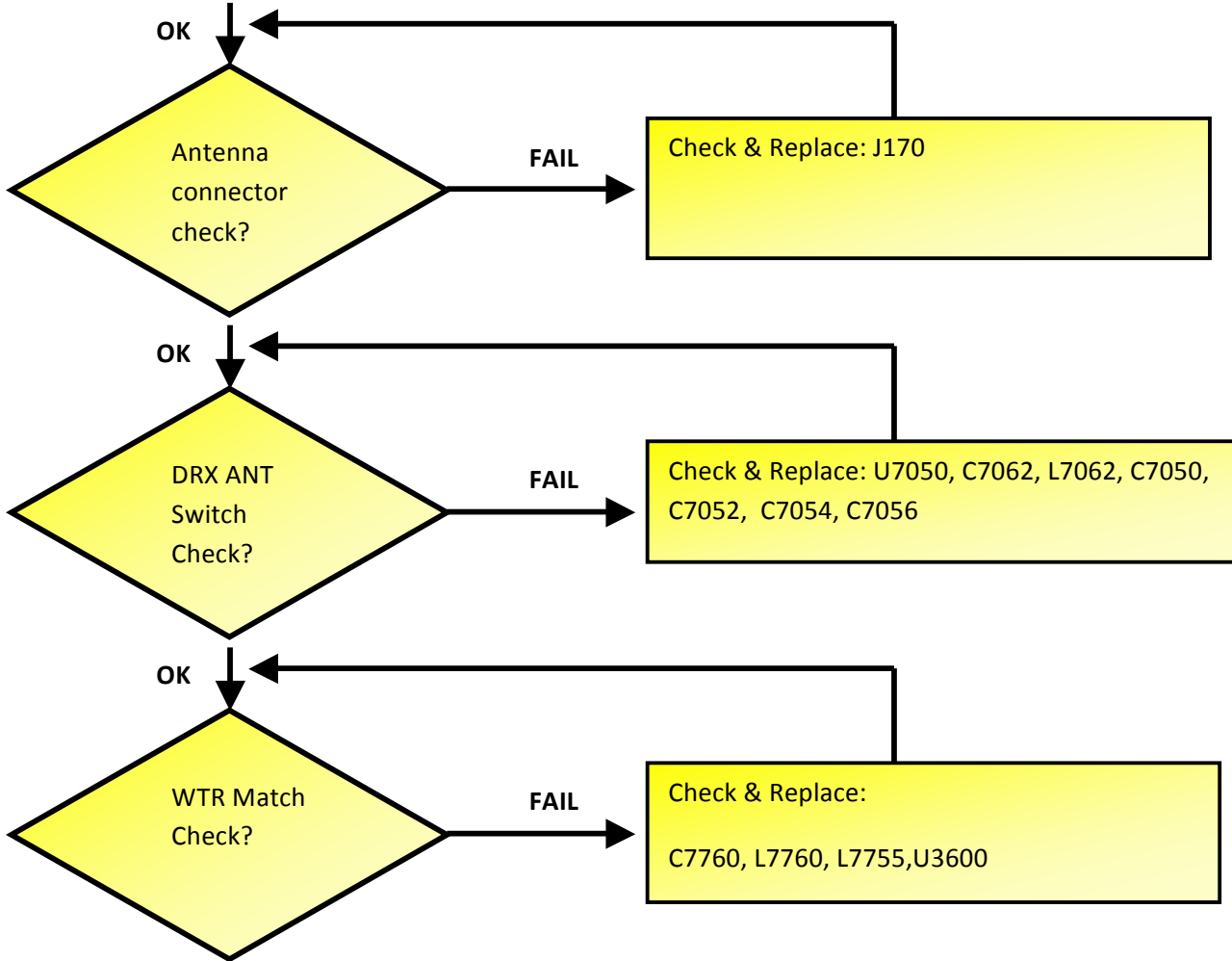
MODEL

RF Test



LTE B5&B26, WCDMA B5, CDMA BC0&BC10, GSM850 **C1** RX





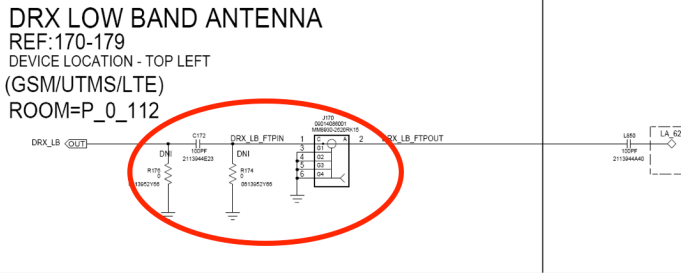
TITLE

# L3 Moto X RF Troubleshooting Guide

MODEL

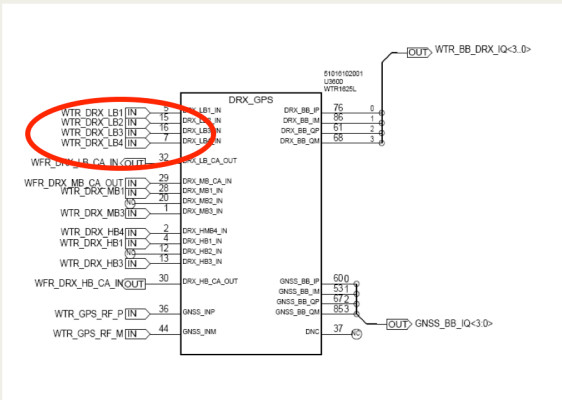
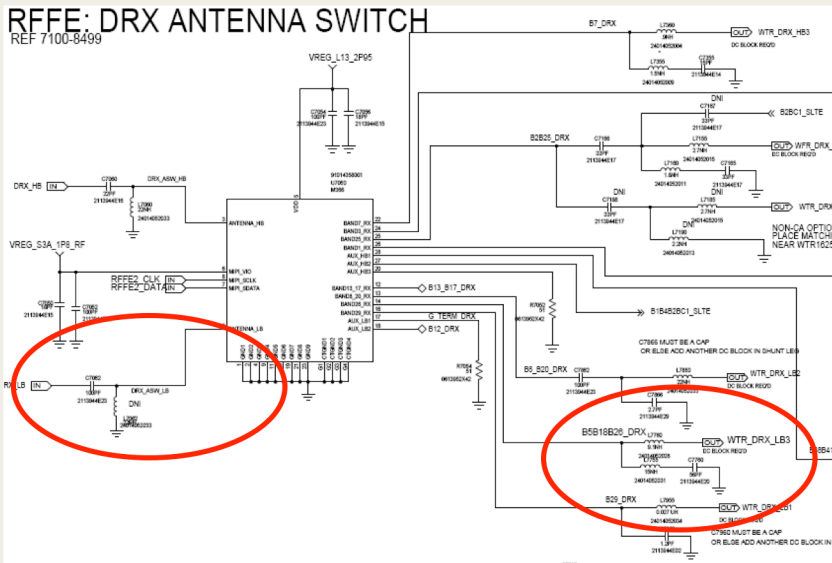
RF Test

CDMA\_800\_C1\_RX, CDMA\_BC10\_C1\_RX, WCDMA\_850\_C1\_RX, & LTE\_Band\_5/26\_C1\_RX



## RFFE: DRX ANTENNA SWITCH

REF 7100-9499

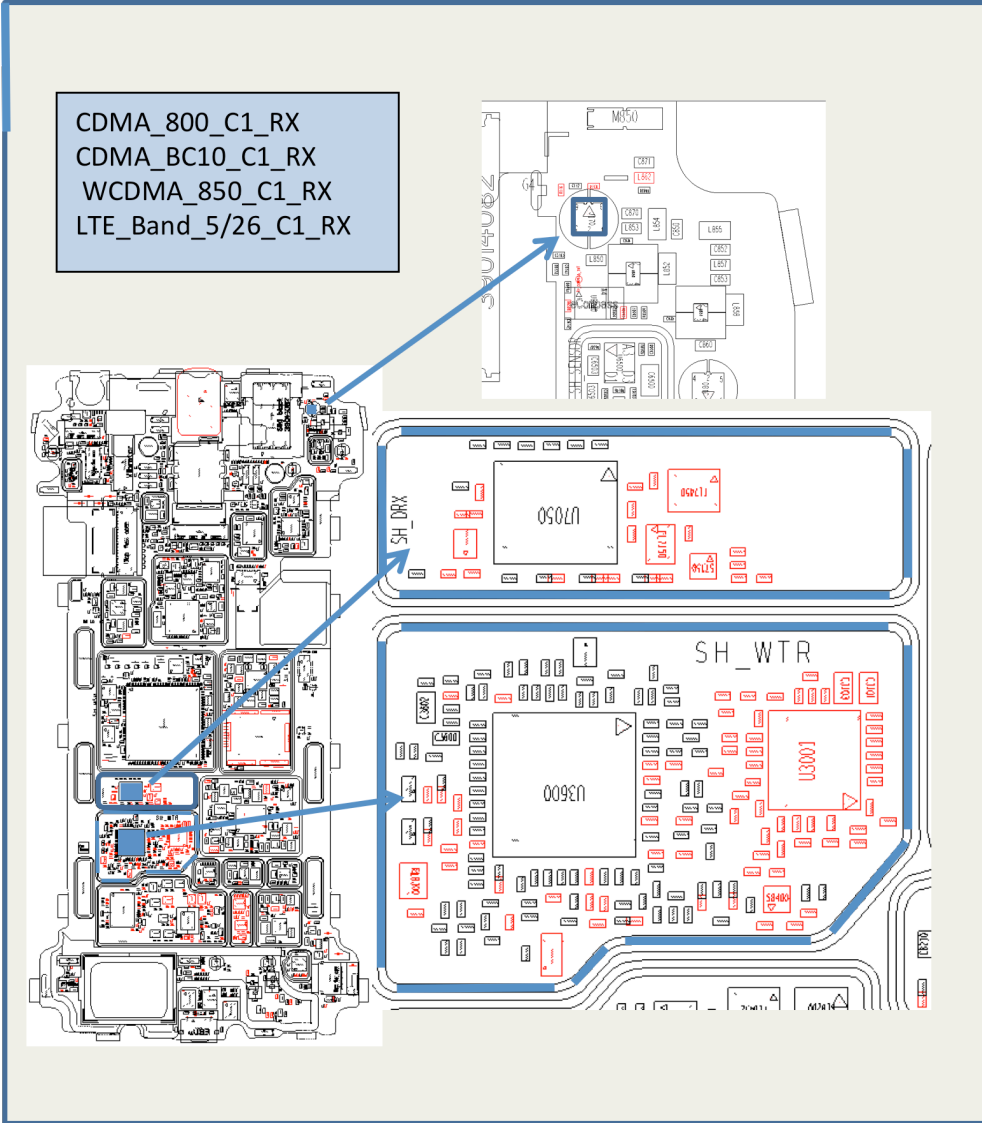


TITLE

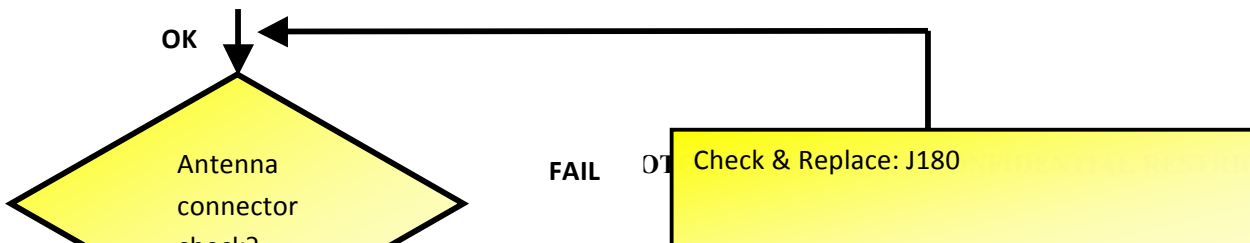
**L3 Moto X RF Troubleshooting Guide**

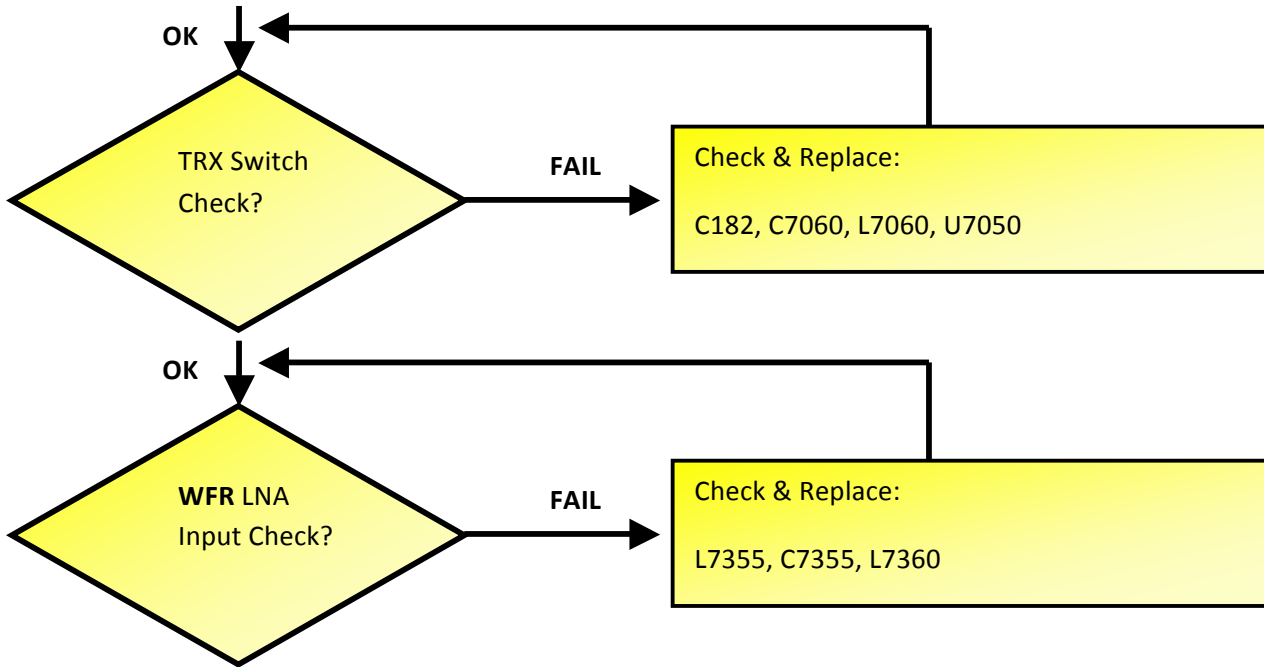
MODEL

**RF Test**



**LTE B7 C1 RX ATT & VZW & EU SKUs**





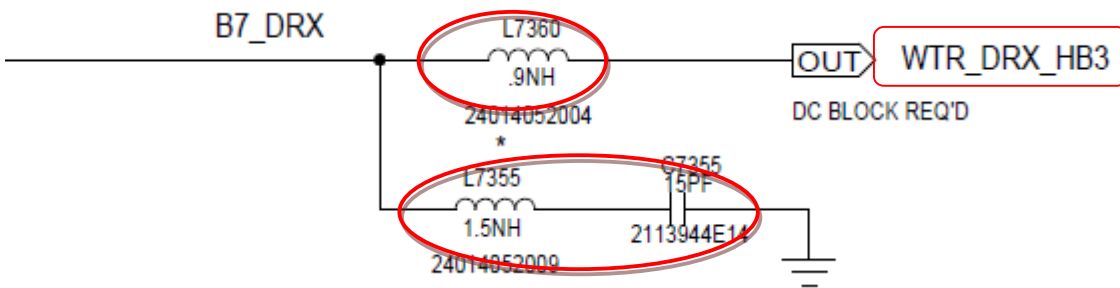
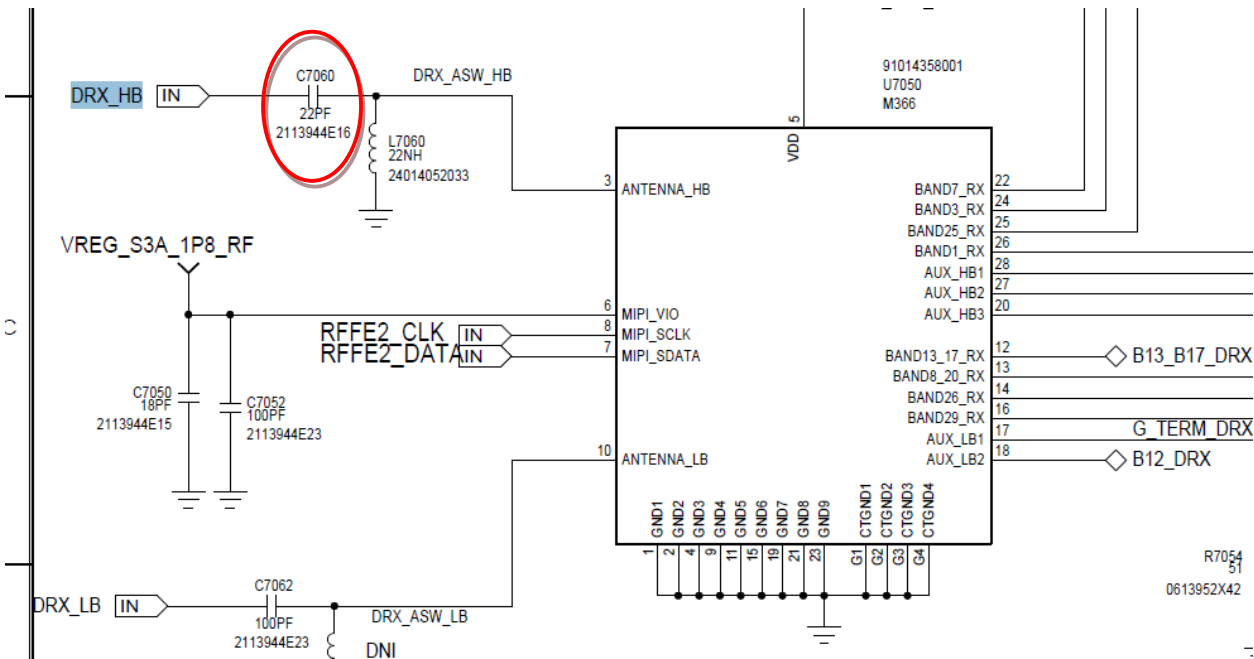
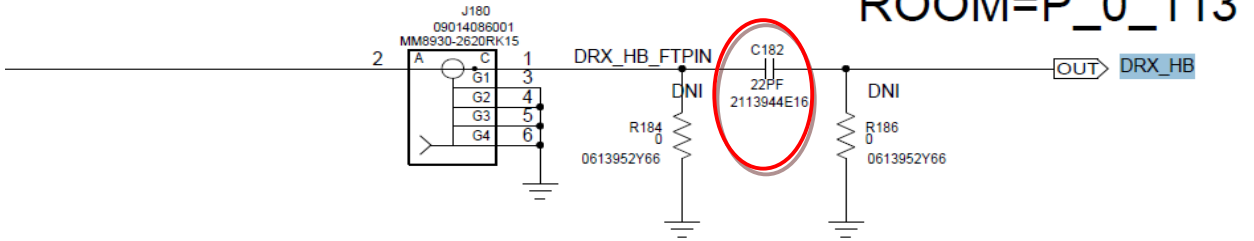
TITLE

MODEL

# L3 Moto X RF Troubleshooting Guide

RF Test

ROOM=P\_0\_113

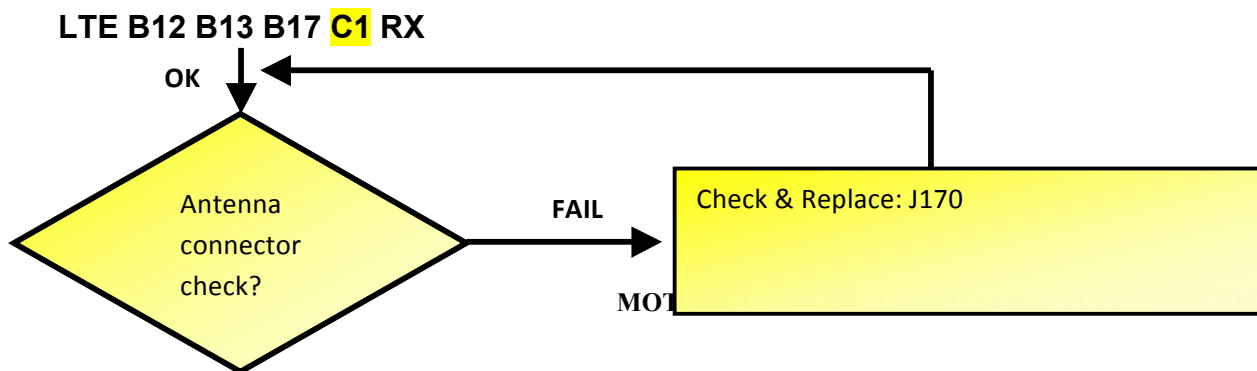
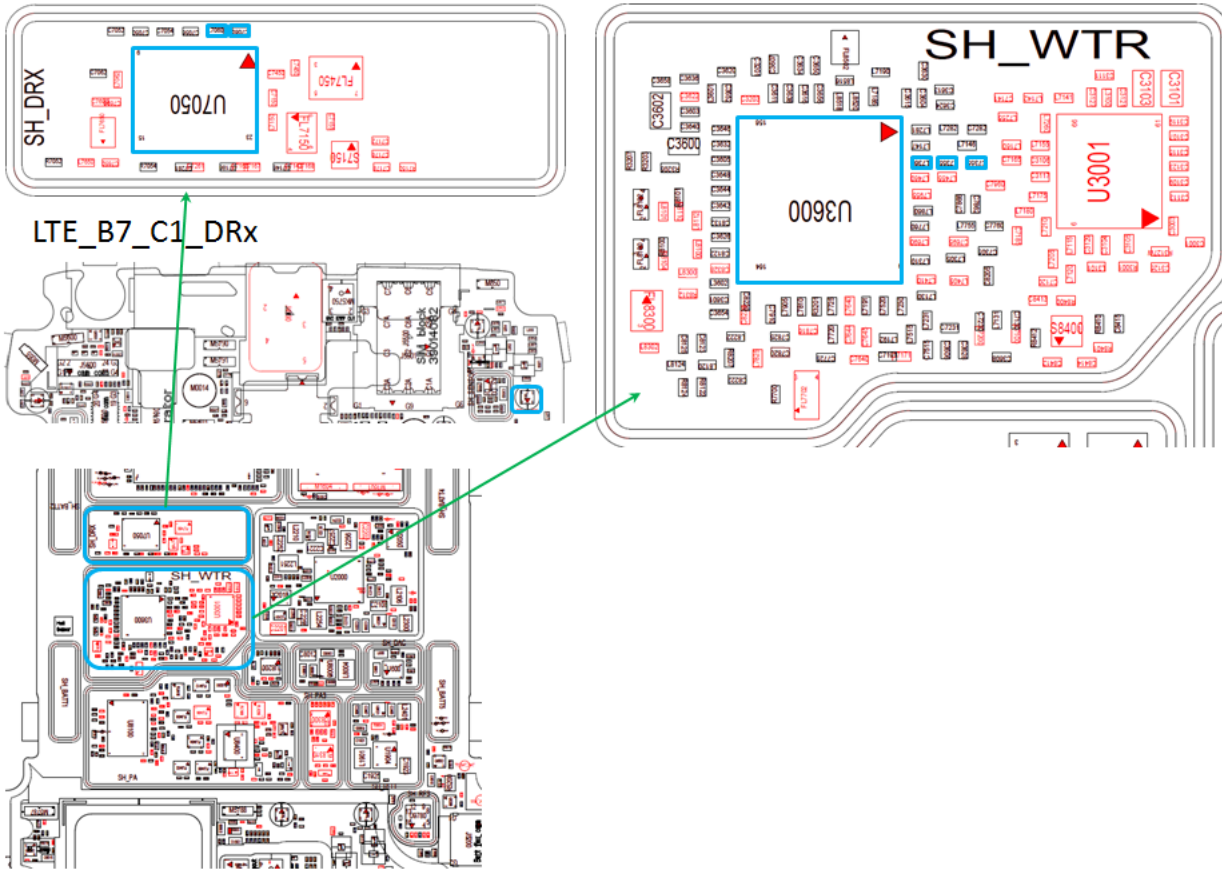


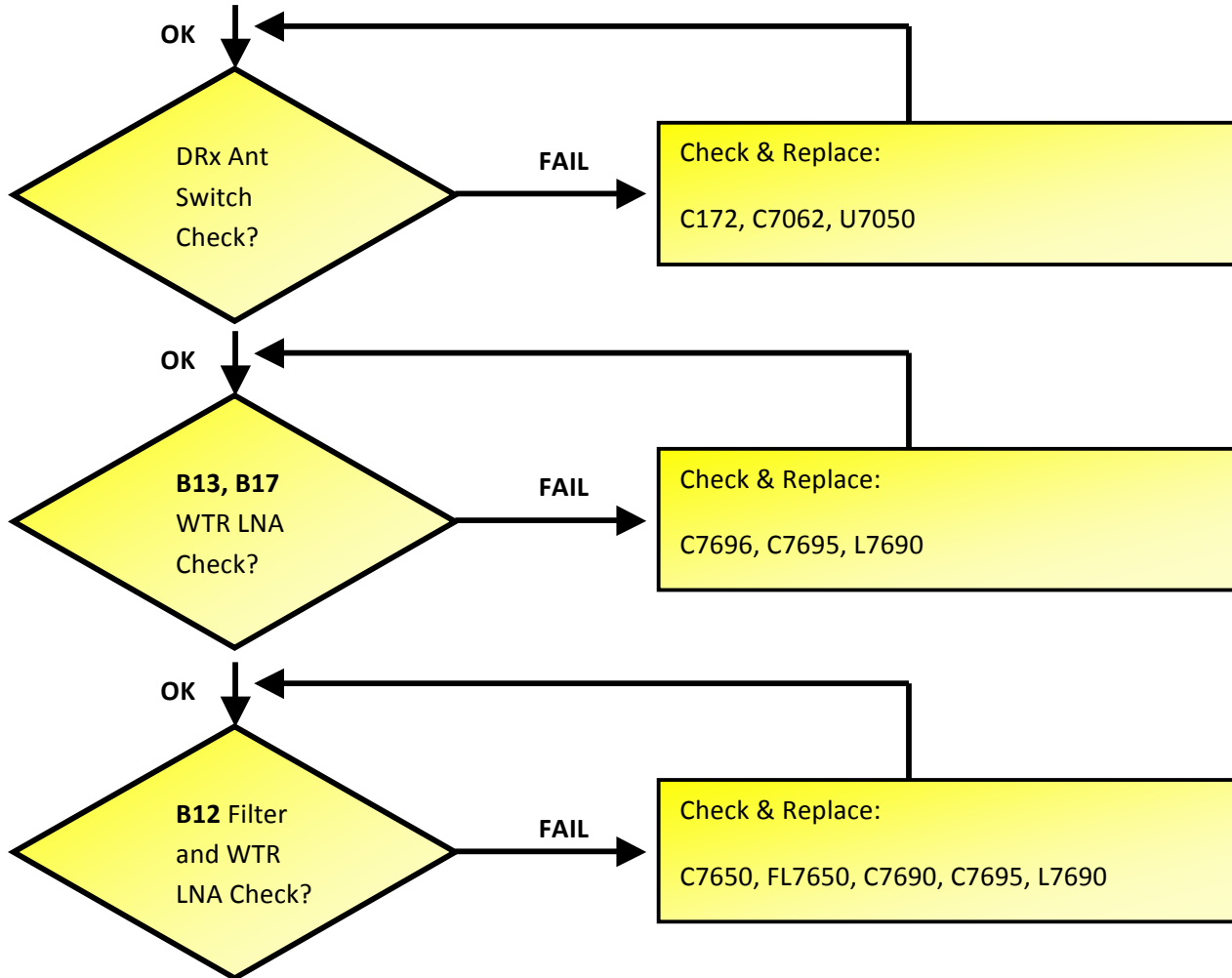
TITLE

# L3 Moto X RF Troubleshooting Guide

MODEL

RF Test





TITLE

MODEL

# L3 Moto X RF Troubleshooting Guide

RF Test

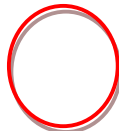
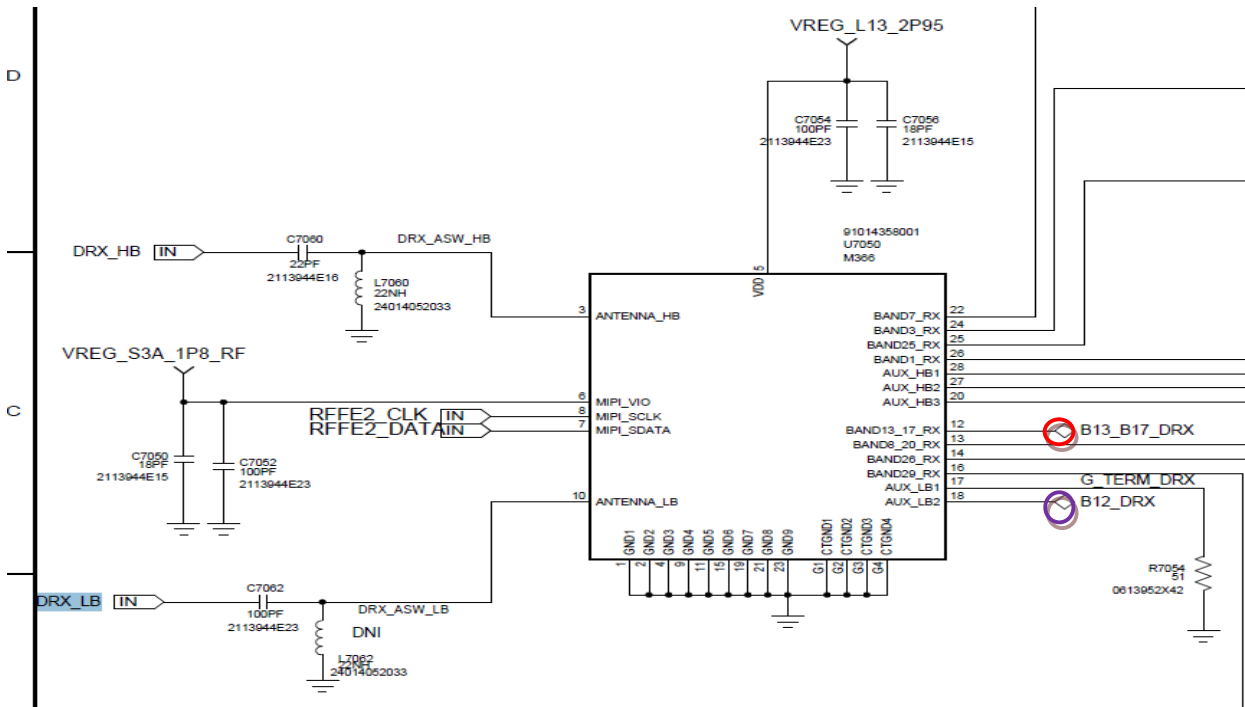
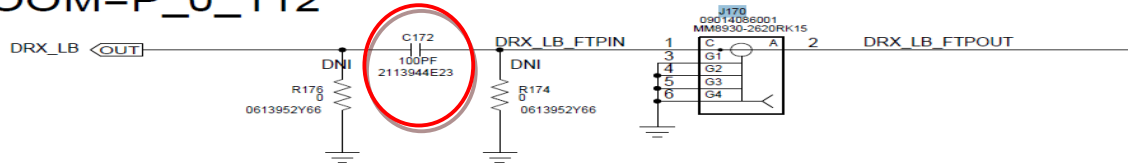
## DRX LOW BAND ANTENNA

REF:170-179

DEVICE LOCATION - TOP LEFT

(GSM/UTMS/LTE)

ROOM=P\_0\_112



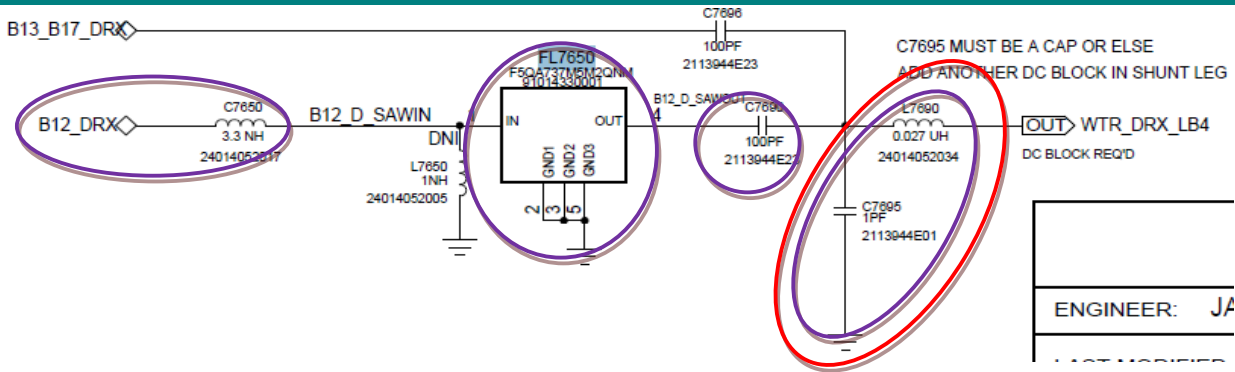


TITLE

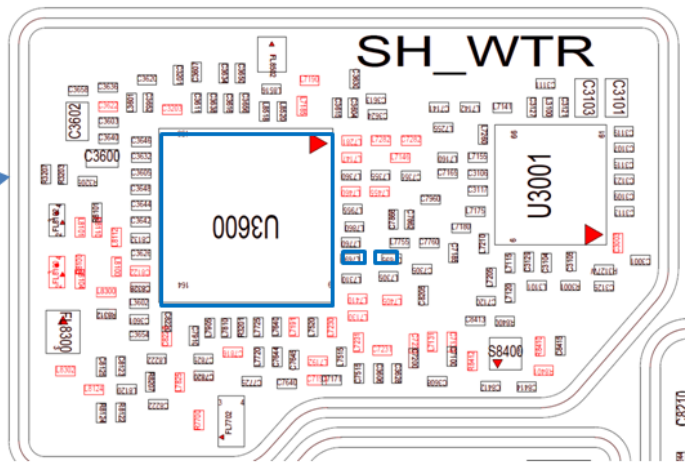
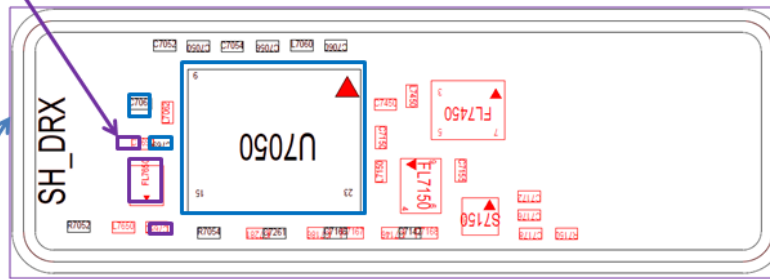
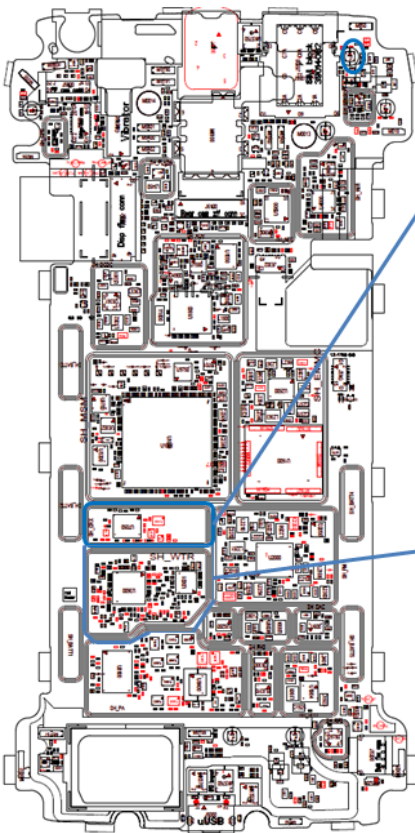
# L3 Moto X RF Troubleshooting Guide

MODEL

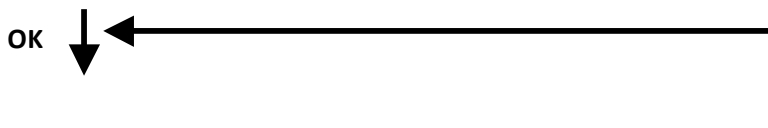
RF Test



B12 highlighted in purple color

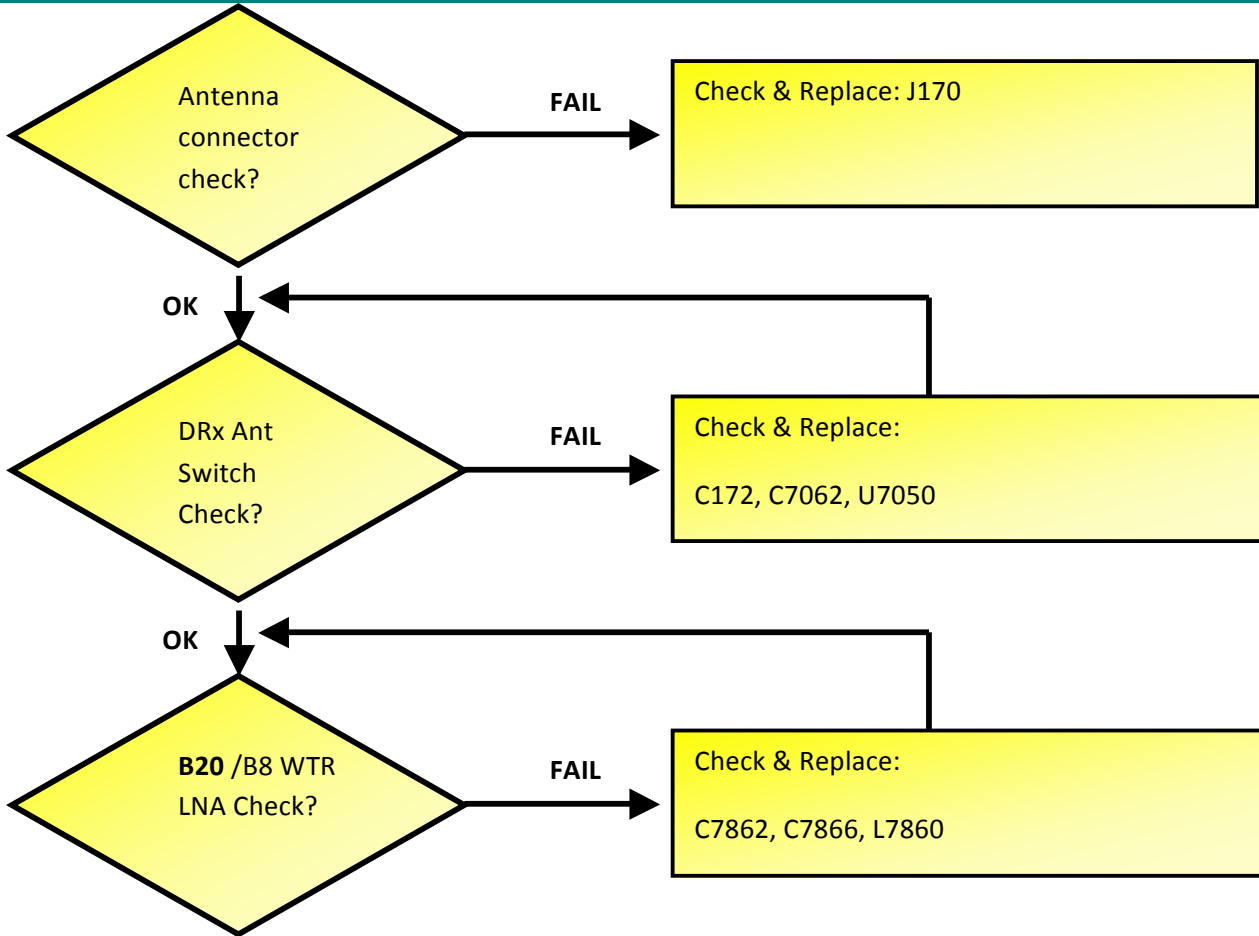


LTE B20&B8 **C1** RX



# L3 Moto X RF Troubleshooting Guide

RF Test



TITLE

MODEL

# L3 Moto X RF Troubleshooting Guide

RF Test

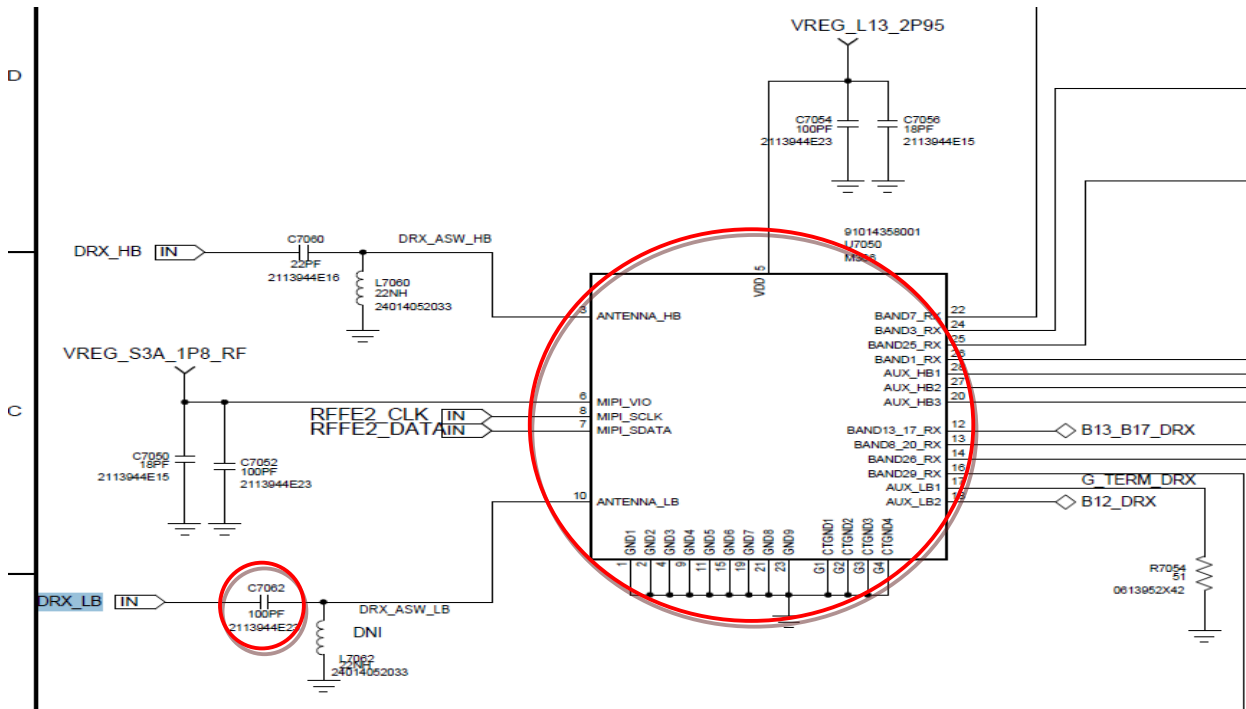
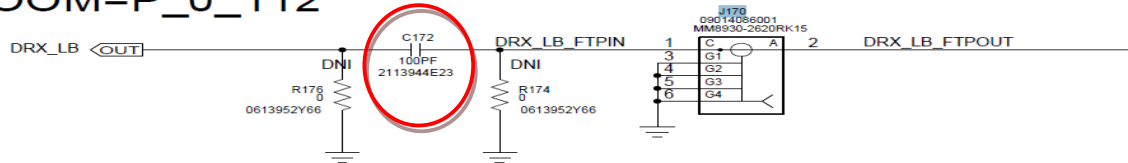
## DRX LOW BAND ANTENNA

REF:170-179

DEVICE LOCATION - TOP LEFT

(GSM/UTMS/LTE)

ROOM=P\_0\_112

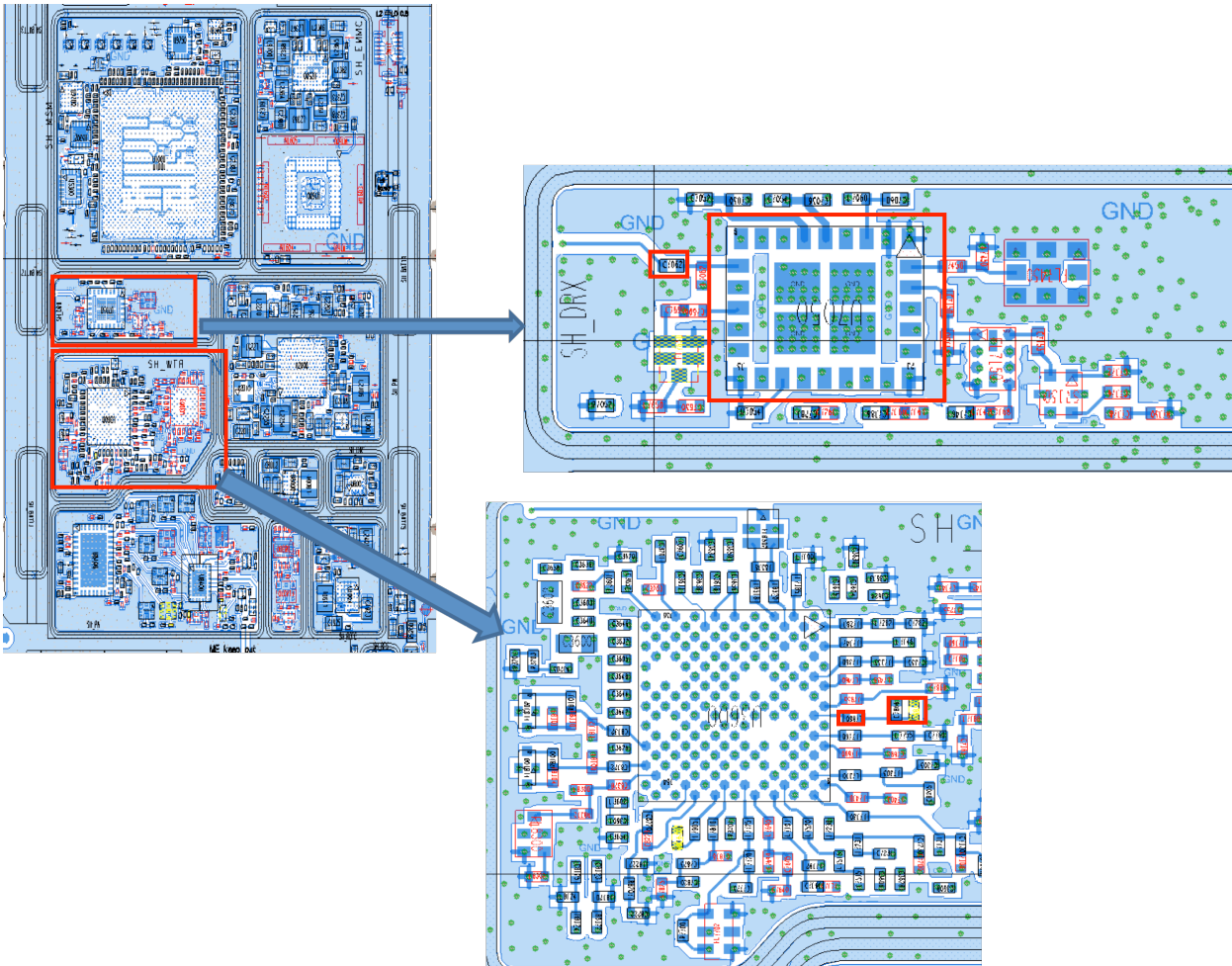
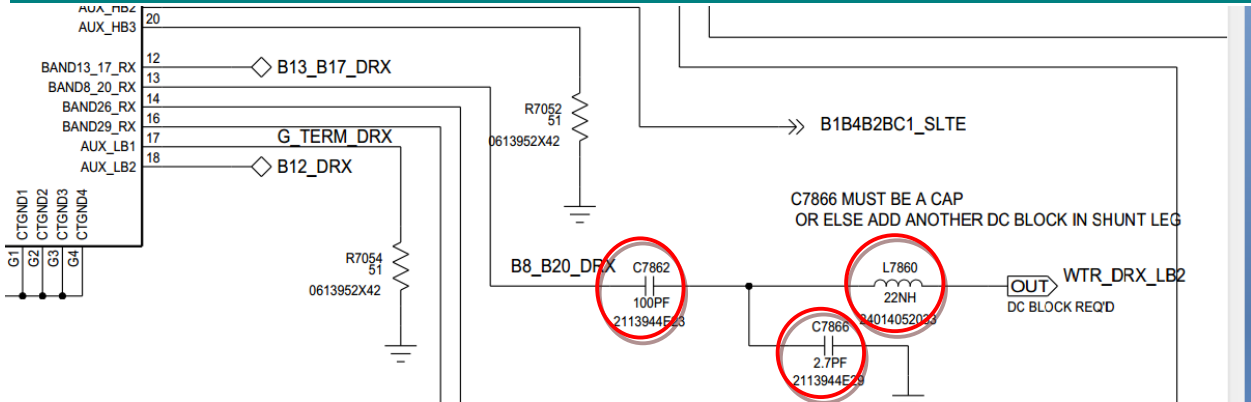


TITLE

# L3 Moto X RF Troubleshooting Guide

MODEL

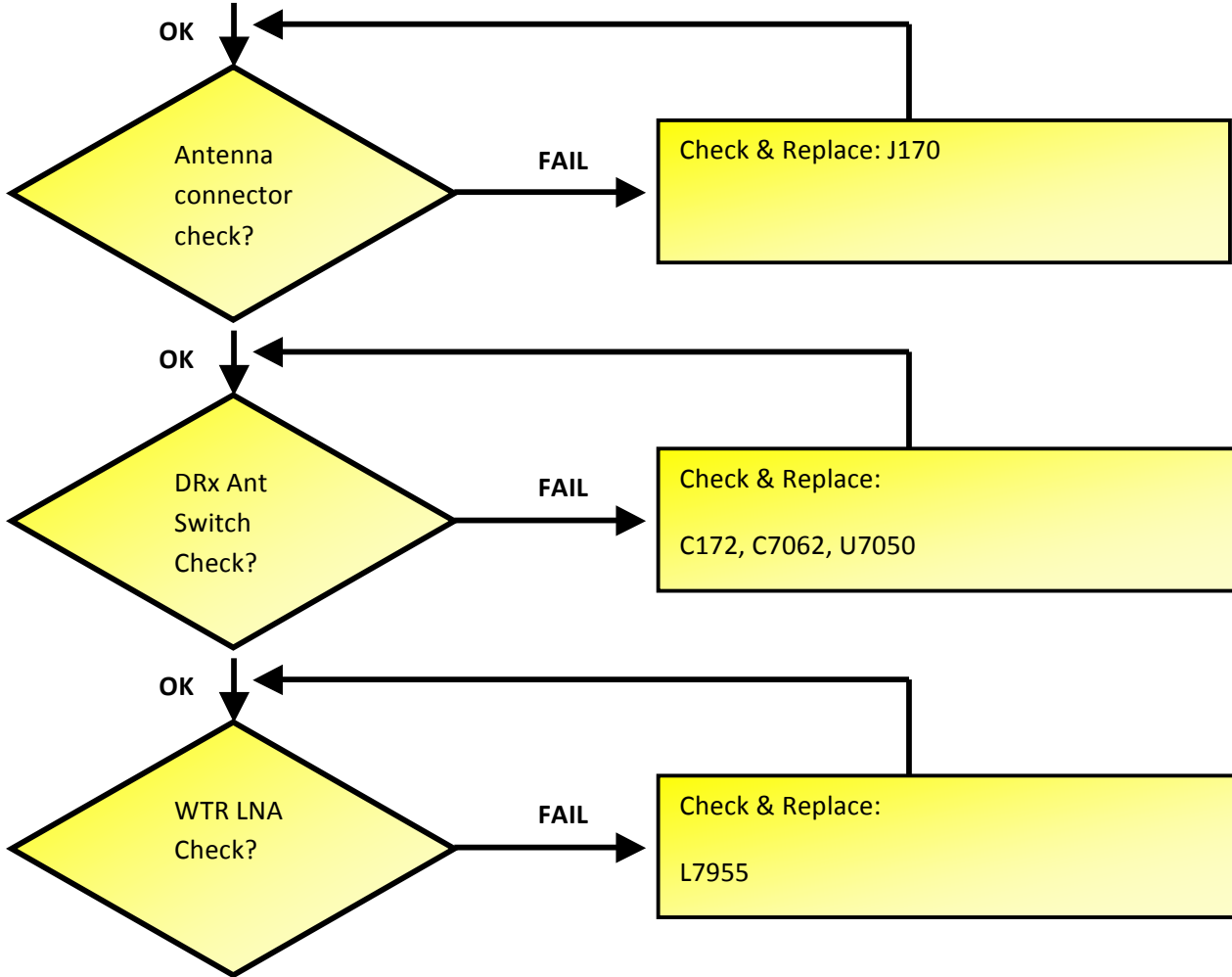
RF Test



LTE B29 **C1** RX SPRINT

# L3 Moto X RF Troubleshooting Guide

RF Test



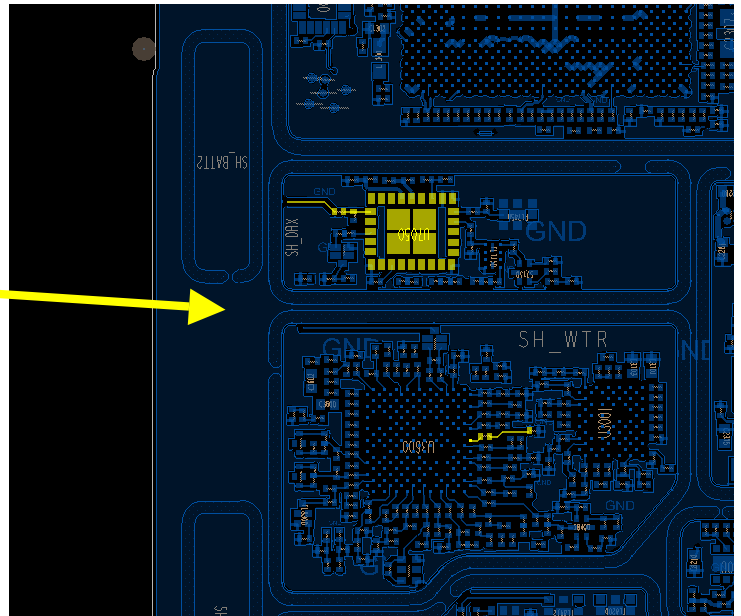
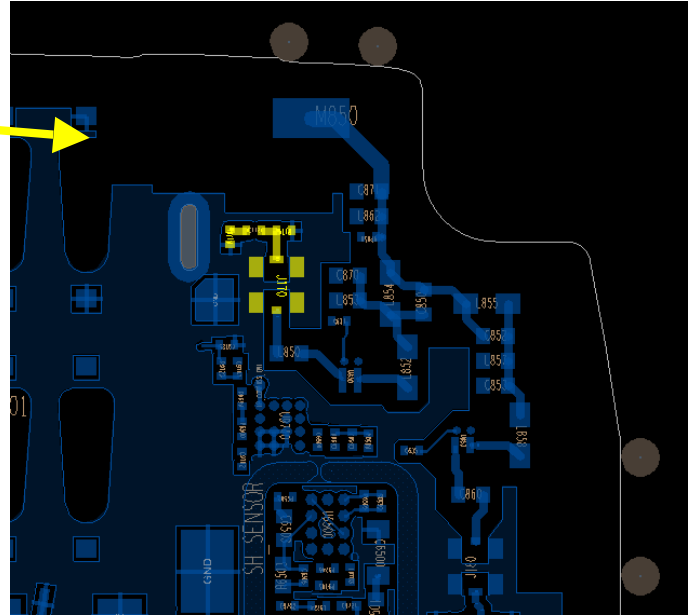
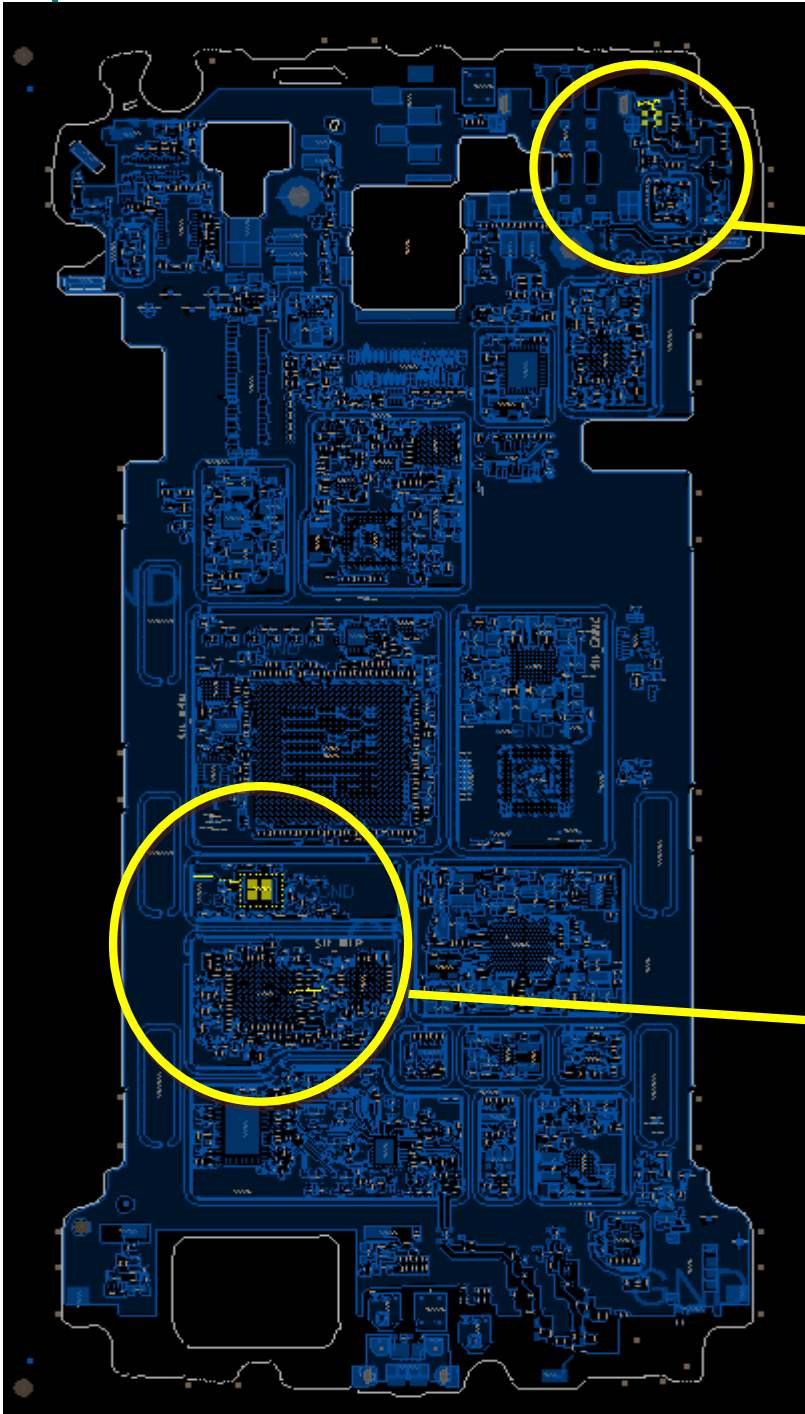


TITLE

# L3 Moto X RF Troubleshooting Guide

MODEL

RF Test

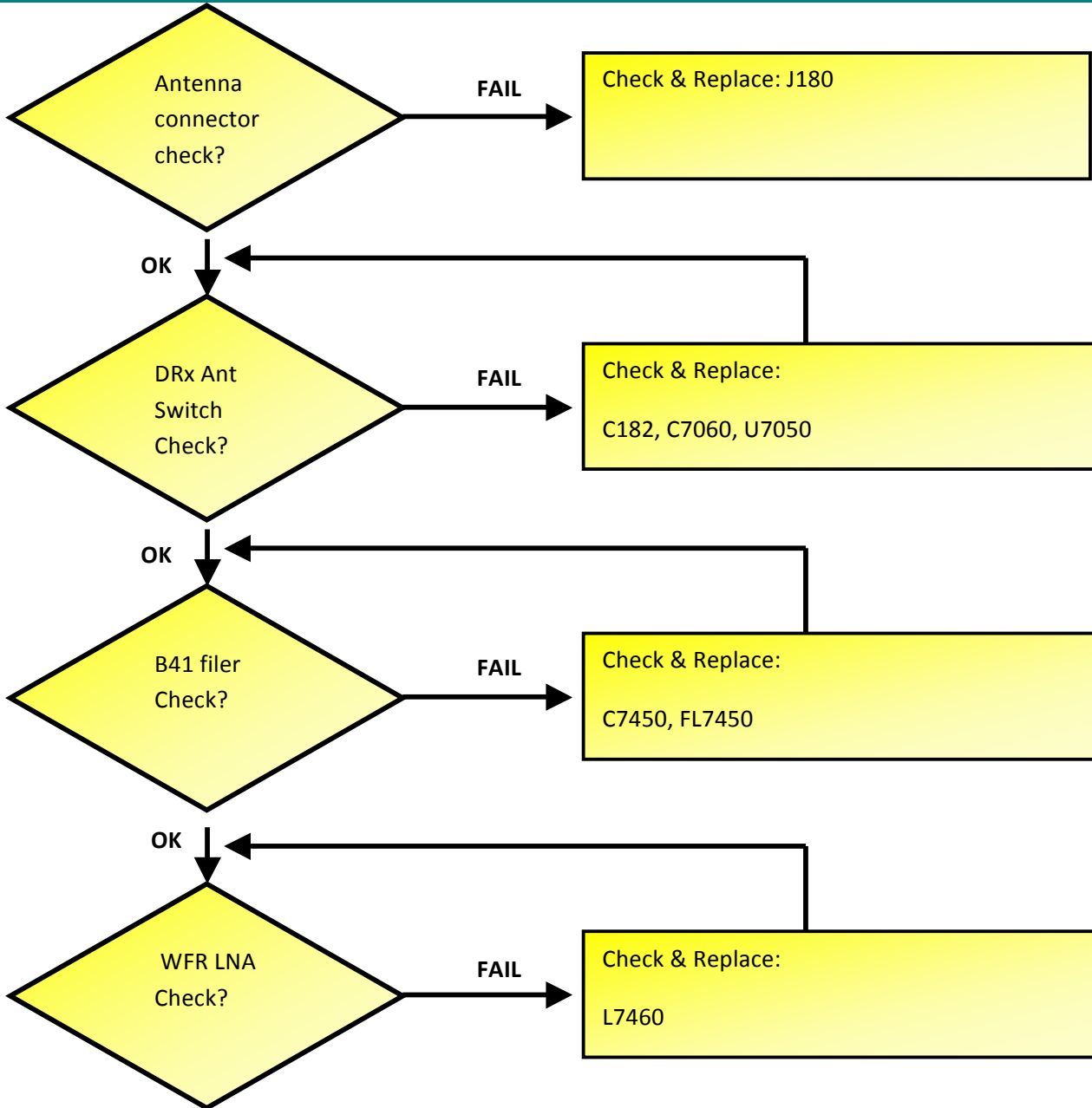


LTE B41 **C1** RX SPRINT

OK ↓

# L3 Moto X RF Troubleshooting Guide

RF Test





TITLE

MODEL

# L3 Moto X RF Troubleshooting Guide

RF Test

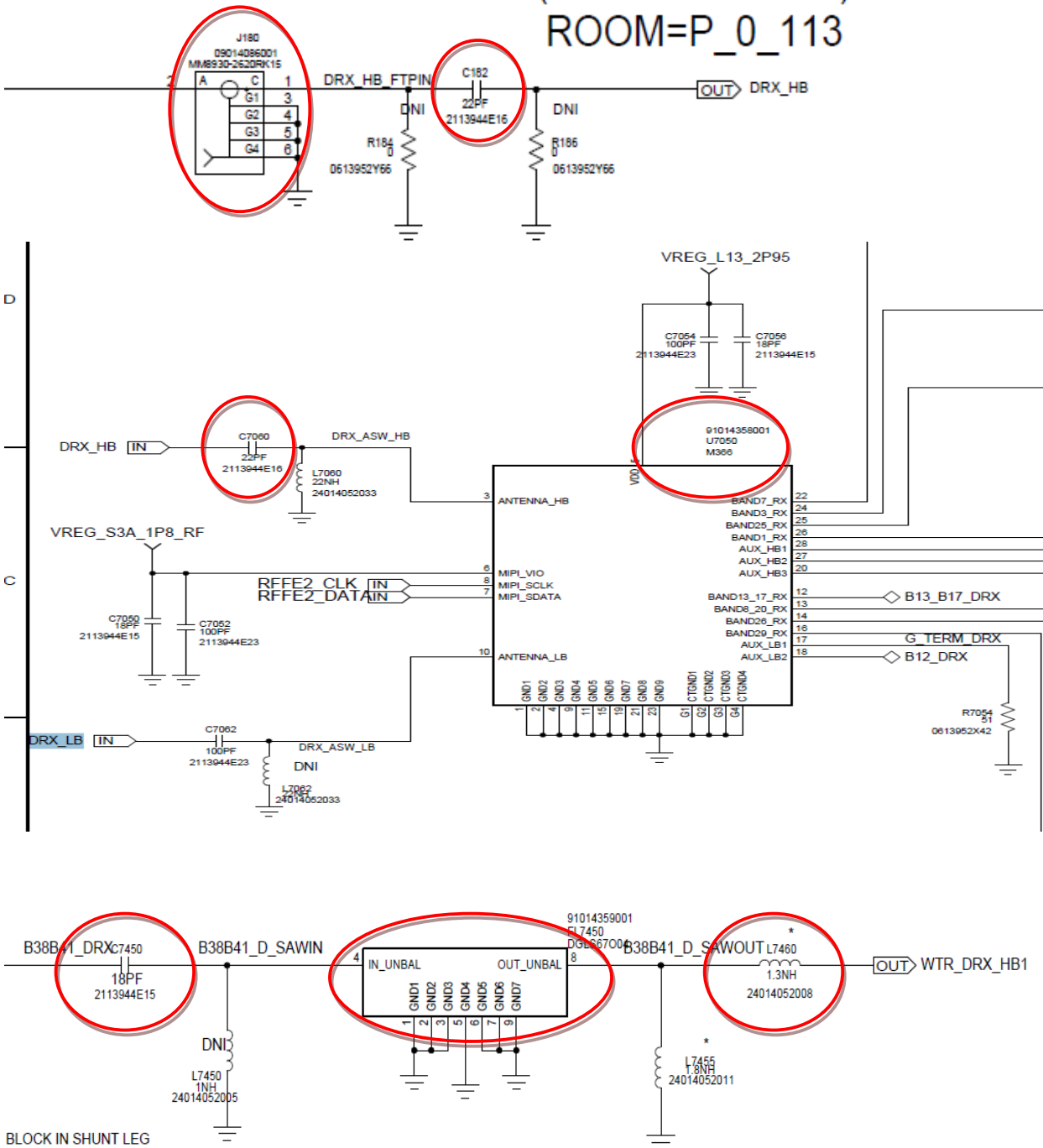
## DRX HIGH BAND ANTENNA

REF:180-189

DEVICE LOCATION - TOP LEFT

(GSM/UTMS/LTE)

ROOM=P\_0\_113



TITLE

# L3 Moto X RF Troubleshooting Guide

MODEL

RF Test

